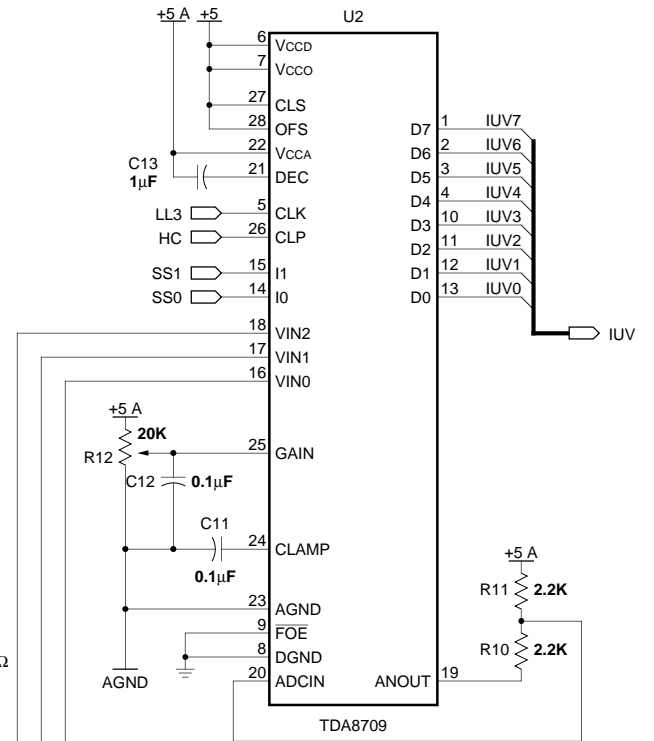


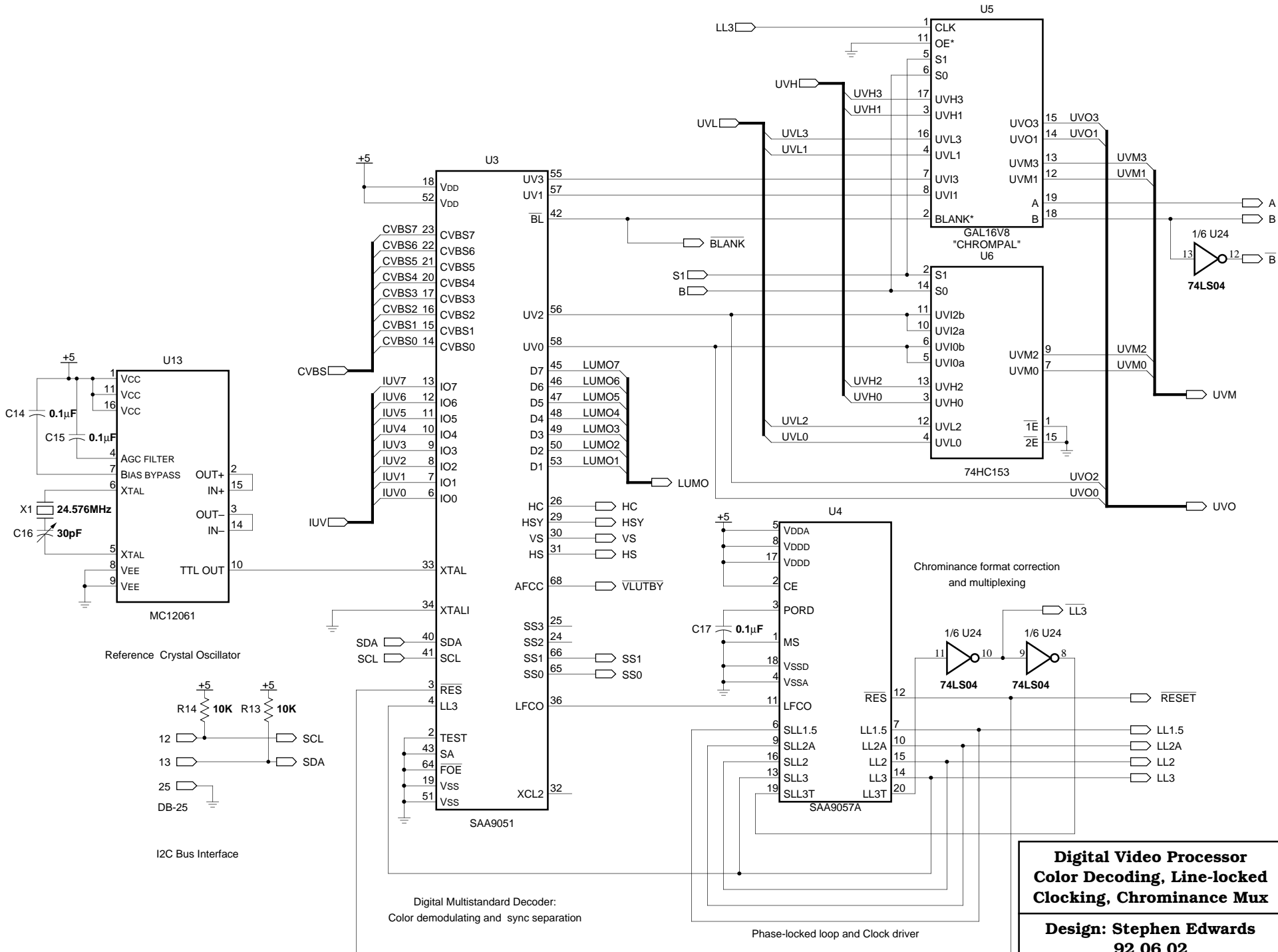
Composite/Luminance ADC

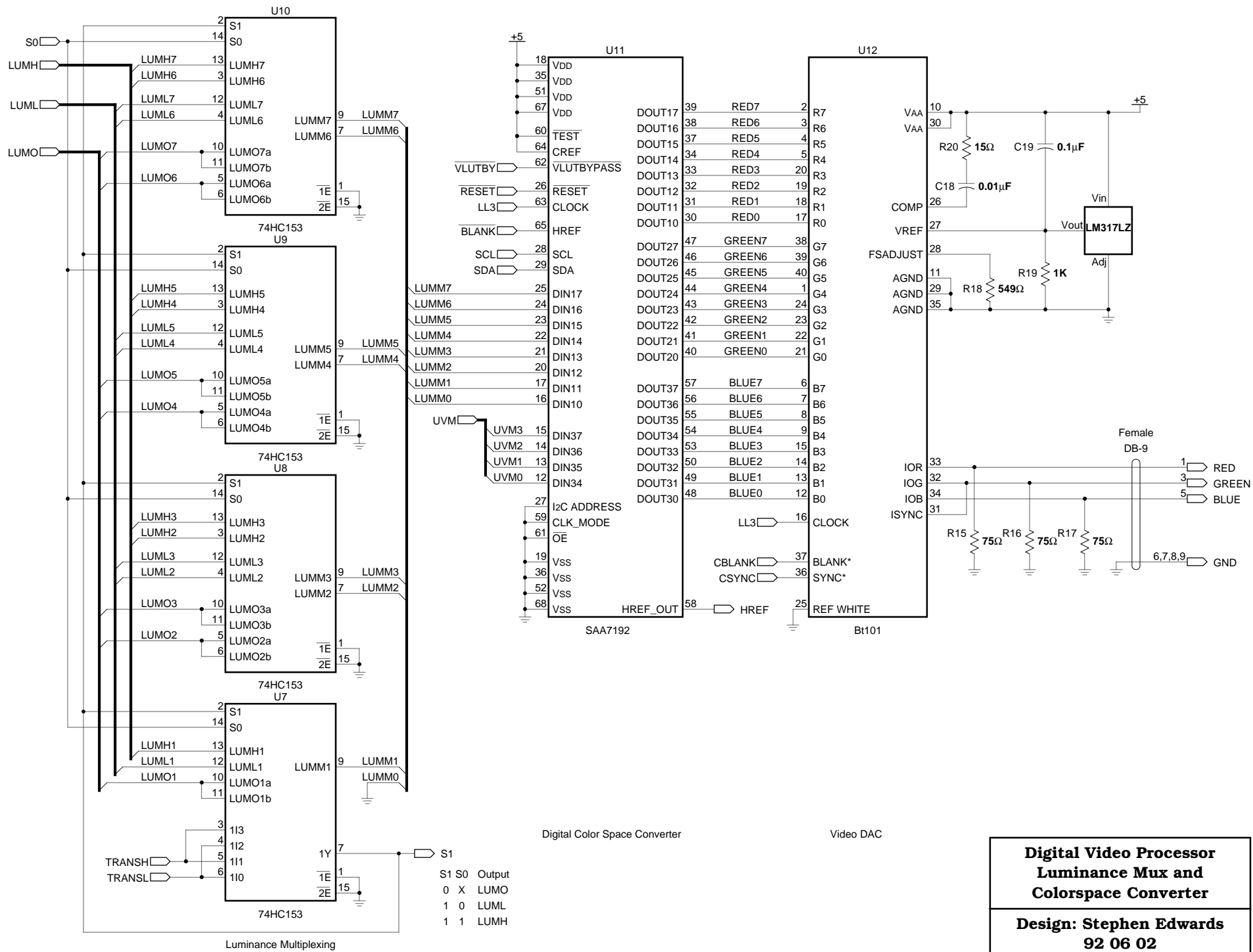


Chrominance ADC

**Digital Video Processor
Analog-Digital Conversion**

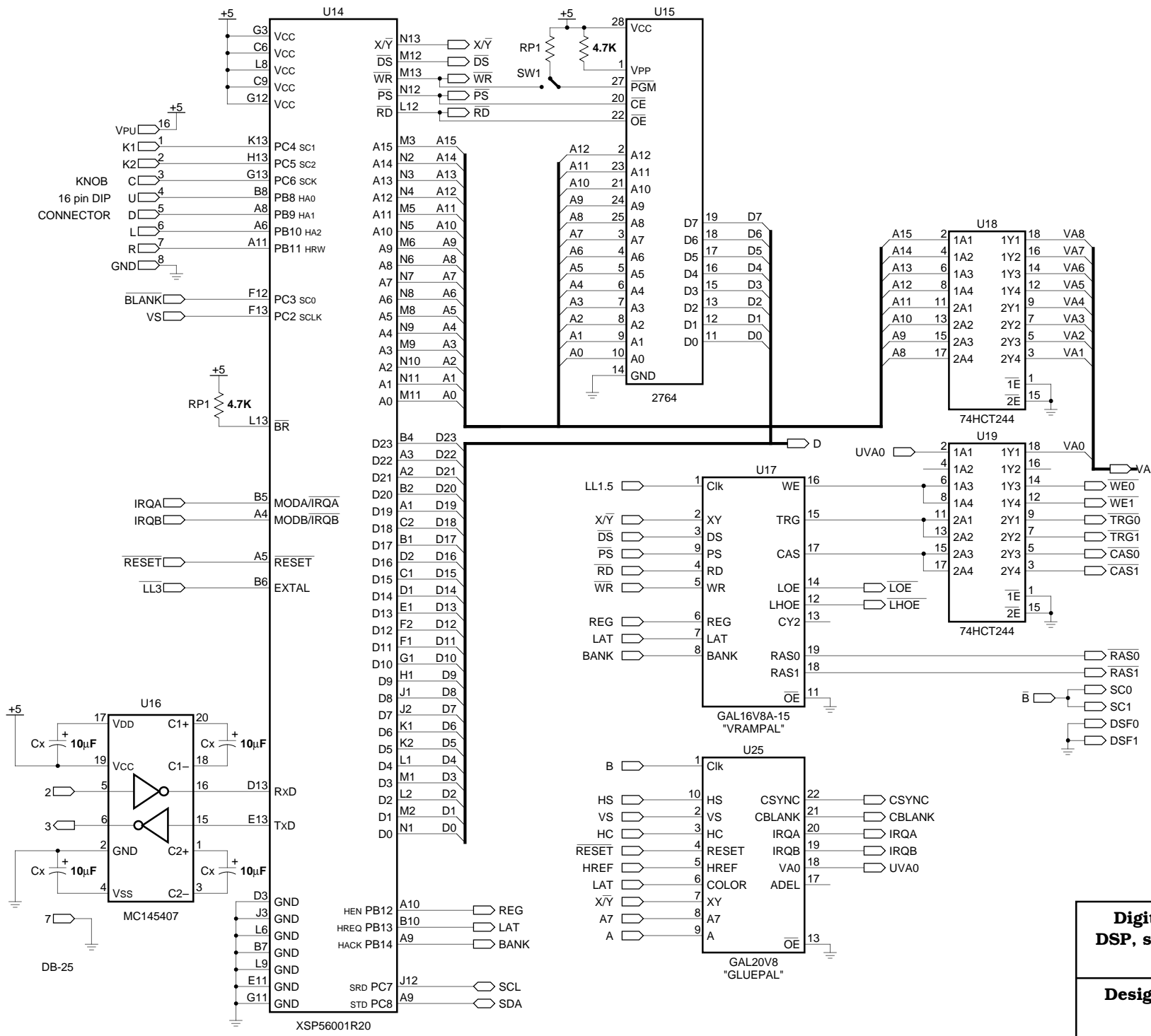
**Design: Stephen Edwards
92 05 26**





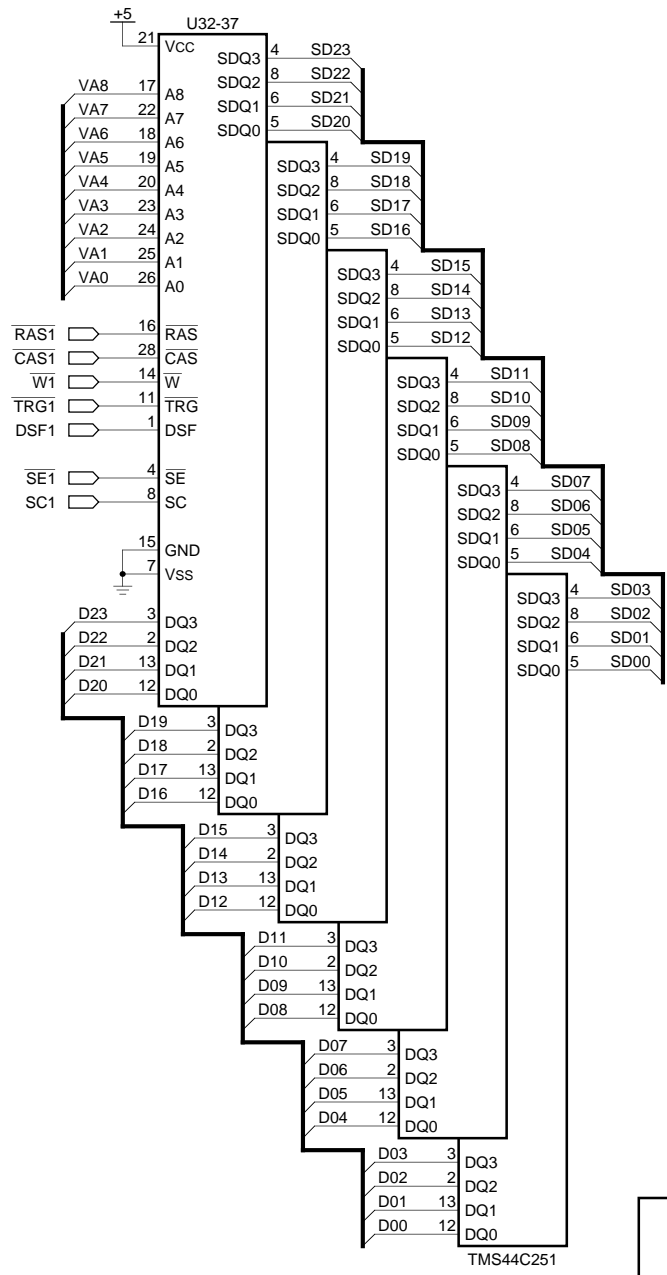
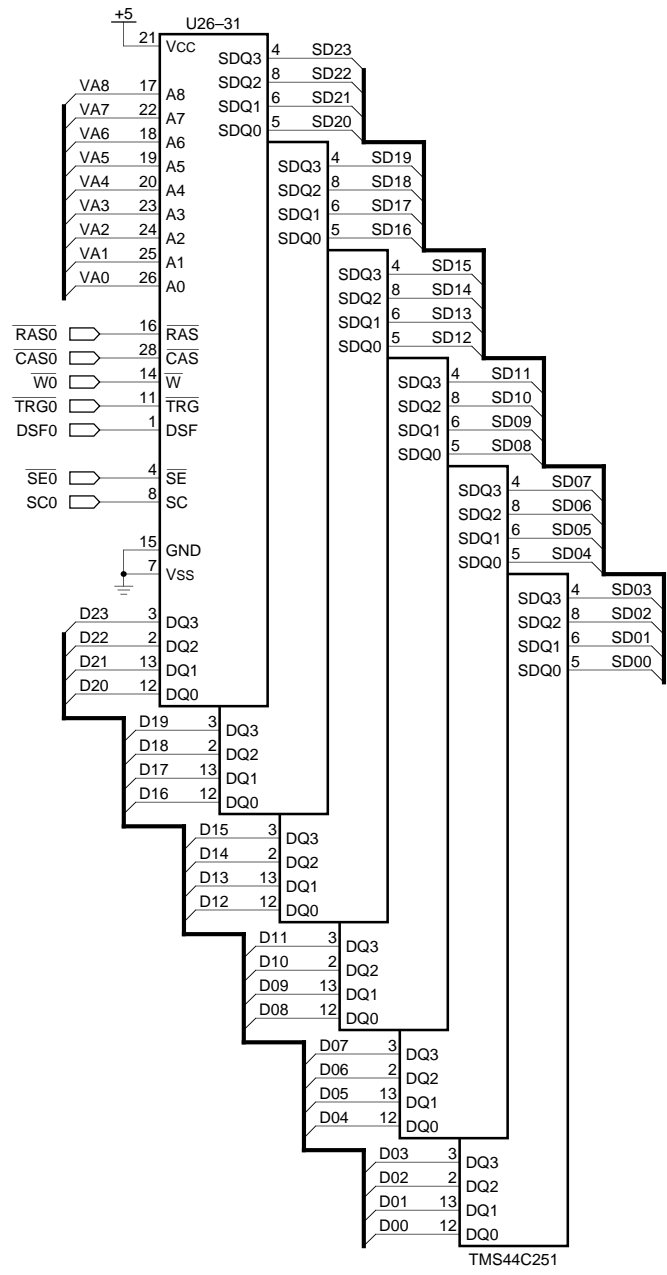
Digital Video Processor
Luminance Mux and
Colorspace Converter

Design: Stephen Edwards
92 06 02



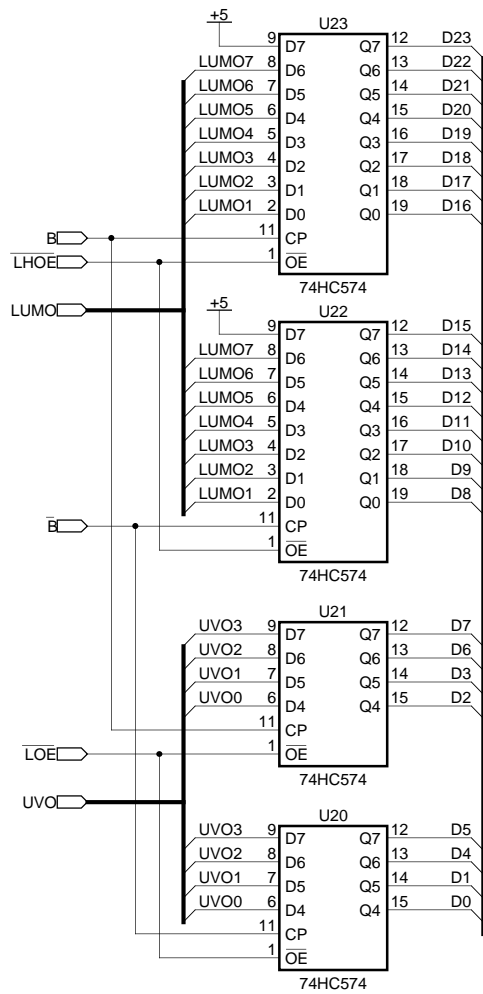
**Digital Video Processor
DSP, serial port, and VRAM
control**

**Design: Stephen Edwards
92 06 02**



**Digital Video Processor
VRAM PC Board**

**Design: Stephen Edwards
92 06 02**



**Digital Video Processor
Video-to-VRAM datapath**

**Design: Stephen Edwards
92 06 02**