



The On-Chip Peripheral Bus

Prof. Stephen A. Edwards
sedwards@cs.columbia.edu

NCTU, Summer 2005

The On-Chip Peripheral Bus

Developed by IBM

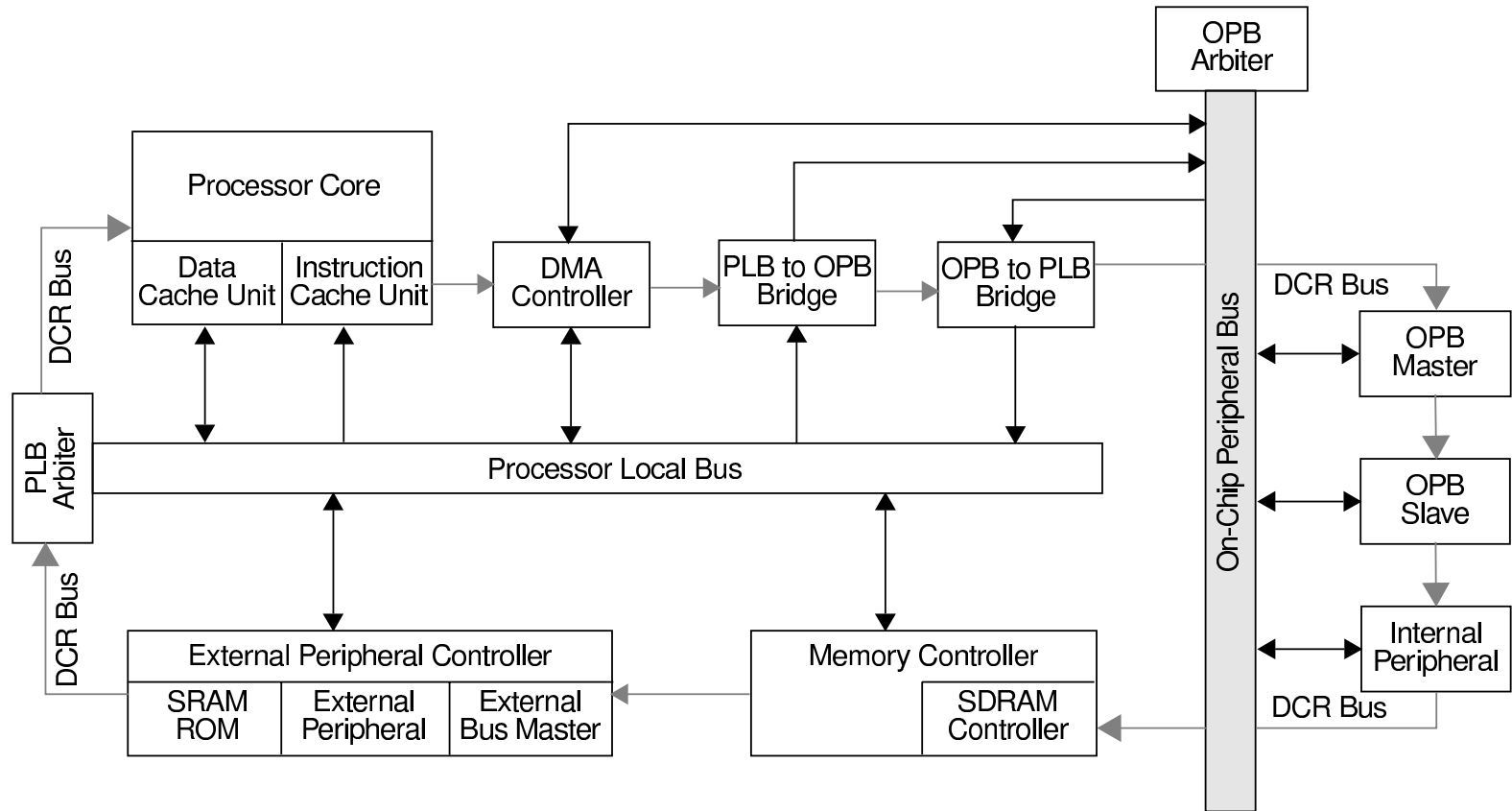
Part of their CoreConnect architecture designed for integrating on-chip “cores”

Something like “PCI on a chip”

Spec. allows for 32- or 64-bit addresses and data

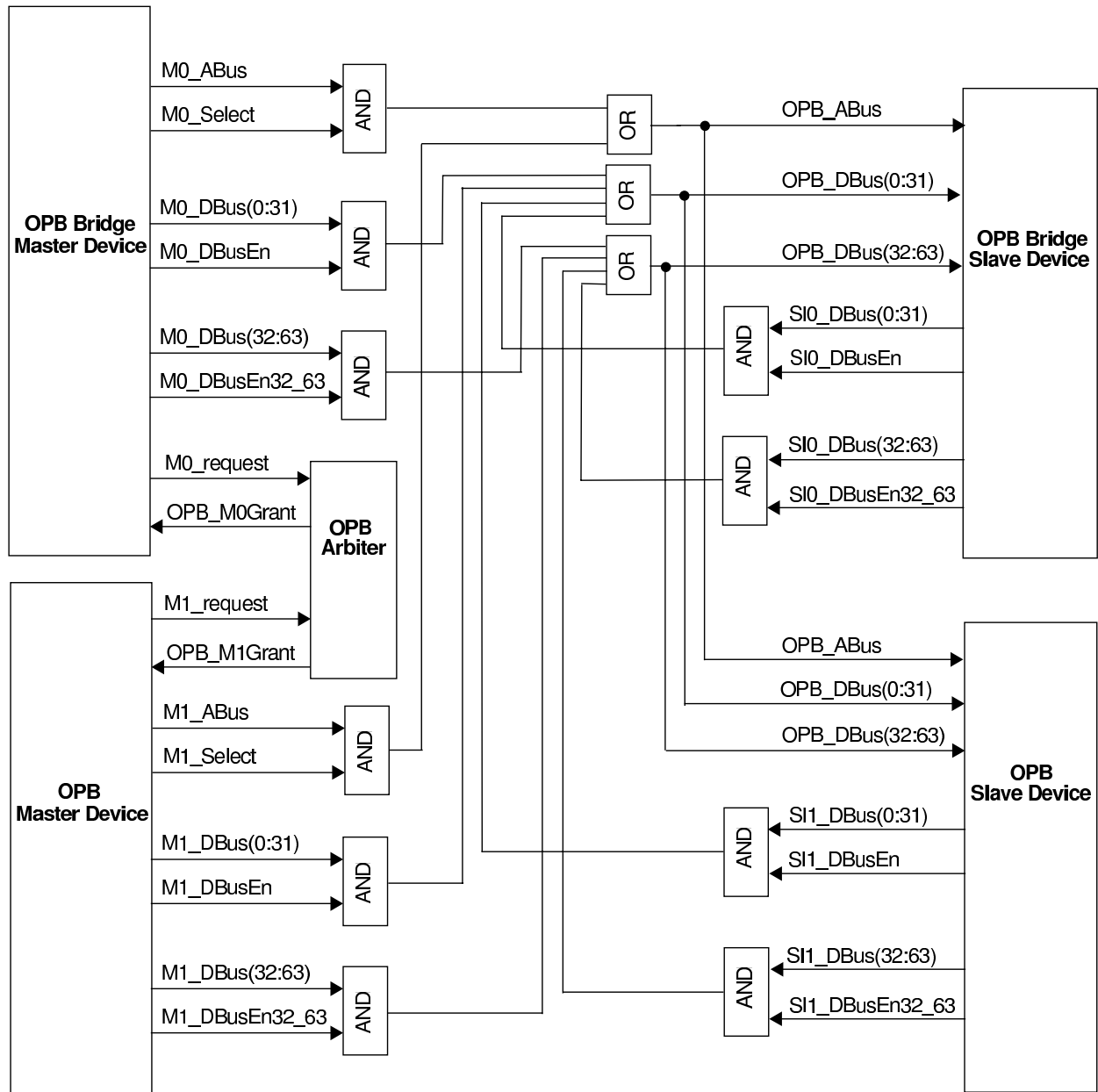
Xilinx Microblaze variant uses 32-bit only

Intended System Architecture



Source: IBM

Physical Implementation



Masters and Slaves

Most bus protocols draw a distinction between

Masters: Can initiate a transaction, specify an address, etc. E.g., the Microblaze

Slaves: Respond to requests from masters, can generate return data. E.g., a video controller

Most peripherals are slaves.

Masters speak a more complex protocol

Bus arbiter decides which master gains control

Naming Conventions

For OPB slave devices,

prefix **meaning**

OPB_ Signals from OPB bus logic to slave

SIn_ Signals from slave to OPB

OPB slave signals (Xilinx)



OPB Signals

OPB_Clk	Bus clock: master synchronization
OPB_Rst	Global asynchronous reset
OPB_ABus[0:31]	Address
OPB_BE[0:3]	Byte enable
OPB_DBus[0:31]	Data to slave
OPB_RNW	1=read from slave, 0=write to slave
OPB_select	Transfer in progress
OPB_seqAddr	Next sequential address pending (unused)
SIn_DBus[0:31]	Data from slave. Must be 0 when inactive
SIn_xferAck	Transfer acknowledge. OPB_select→0
SIn_retry	Request master to retry operation (=0)
SIn_toutSup	Suppress slave time-out (=0)
SIn_errAck	Signal a transfer error occurred (=0)

Bytes, Bits, and Words

The OPB and the Microblaze are big-endian:

0 is the most significant bit, 31 is the least

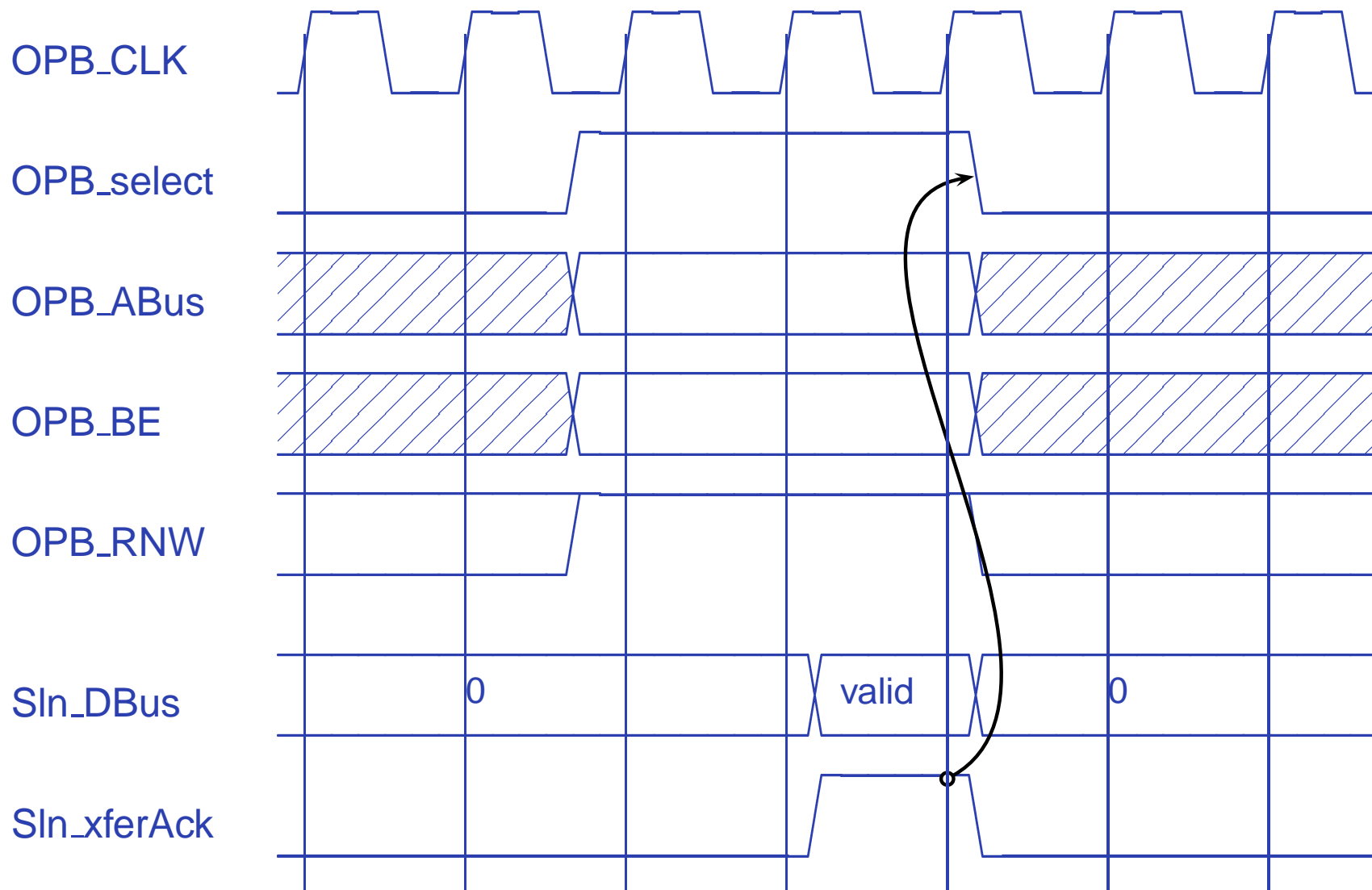
Bytes and halfwords are left-justified:

	msb				lsb			
Byte	0		1		2		3	
Bit	0	7	8	15	16	23	24	31
Word	0						31	
Halfword	0		15					
Byte	0		7					

In VHDL

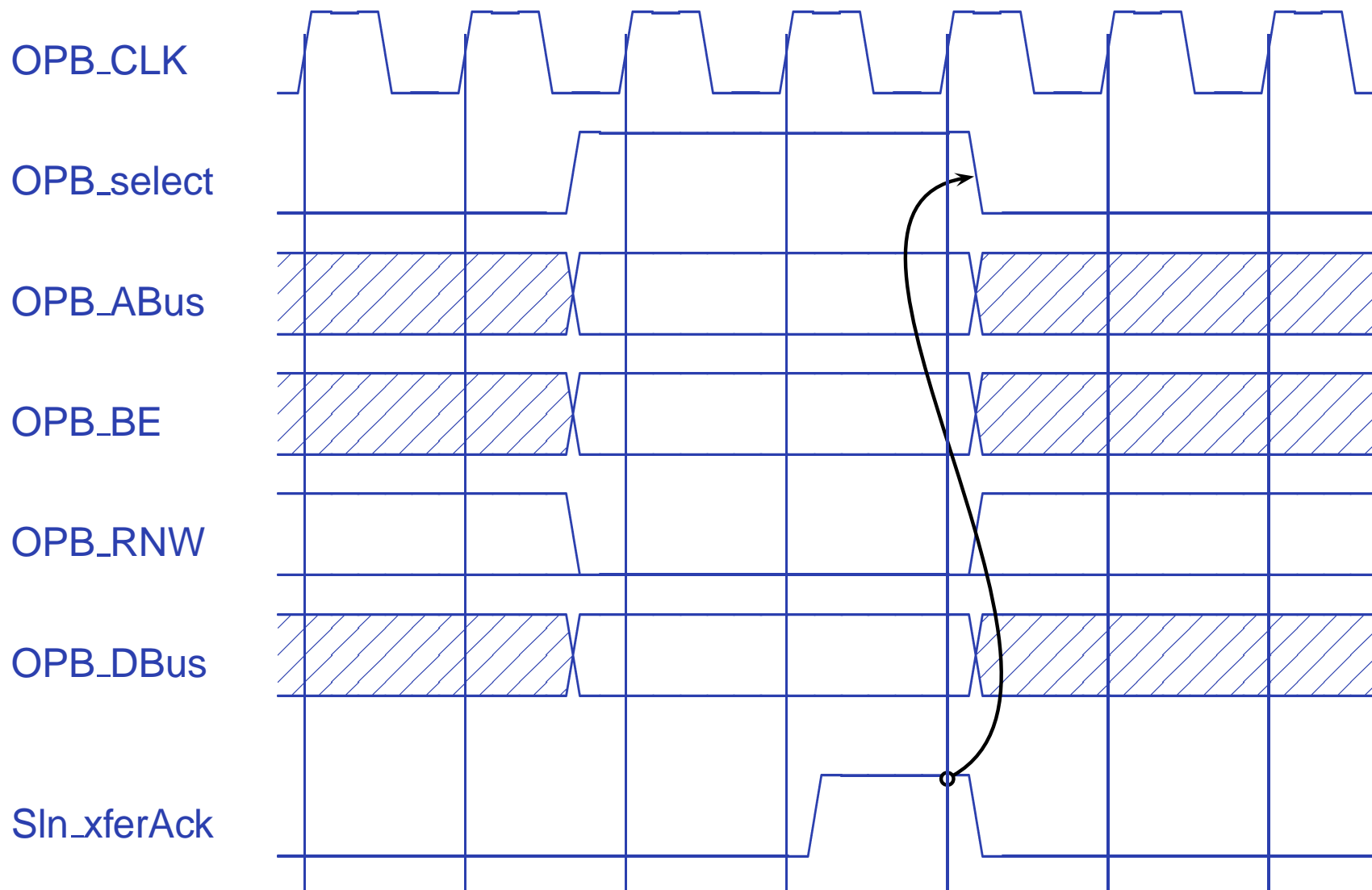
```
entity opb_peripheral is
  generic (
    C_BASEADDR      : std_logic_vector(0 to 31) := X"FFFFFFFF";
    C_HIGHADDR      : std_logic_vector(0 to 31) := X"00000000";
    C_OPB_AWIDTH    : integer                  := 32;
    C_OPB_DWIDTH    : integer                  := 32);
  port (
    OPB_ABus        : in  std_logic_vector(0 to C_OPB_AWIDTH-1);
    OPB_BE          : in  std_logic_vector(0 to C_OPB_DWIDTH/8-1);
    OPB_Clk         : in  std_logic;
    OPB_DBus        : in  std_logic_vector(0 to C_OPB_DWIDTH-1);
    OPB_RNW         : in  std_logic;
    OPB_Rst         : in  std_logic;
    OPB_select      : in  std_logic;
    OPB_seqAddr     : in  std_logic;
    Sln_DBus        : out std_logic_vector(0 to C_OPB_DWIDTH-1);
    Sln_errAck      : out std_logic;
    Sln_retry       : out std_logic;
    Sln_toutSup     : out std_logic;
    Sln_xferAck     : out std_logic);
end entity opb_peripheral;
```

Typical OPB Read Cycle Timing



OPB signals arrive late; DBus and xferAck needed early.

Typical OPB Write Cycle Timing



Xilinx Rules

OPB data and address busses are 32 bits

Byte-wide peripherals use data byte 0 and word-aligned addresses (0, 4, ...)

Peripherals output 0 on everything when inactive

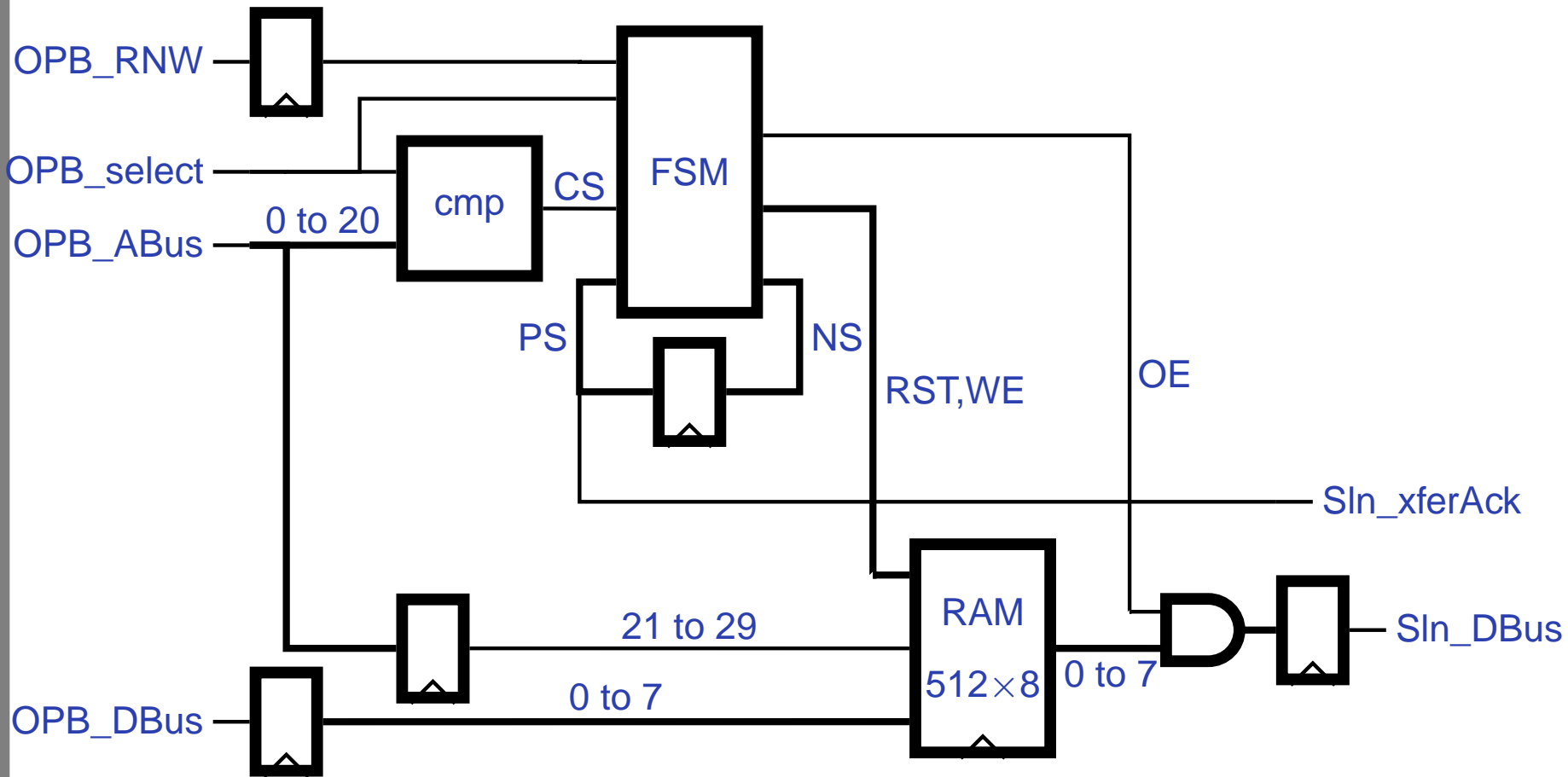
Xilinx does not support complete IBM OPB spec:
Dynamic bus sizing is not used

Designing an OPB Peripheral

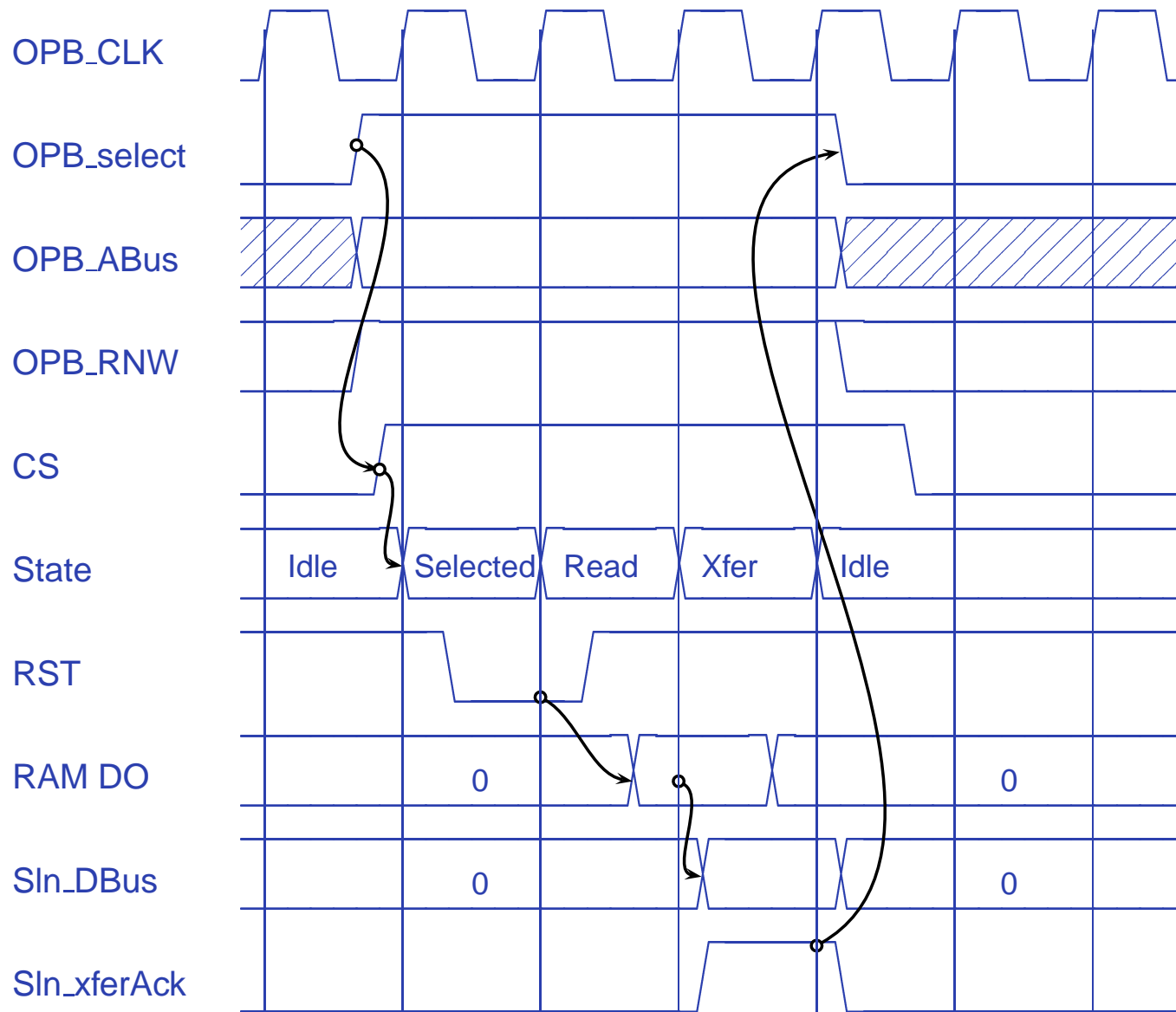
Let's design a peripheral that contains one of the BRAM blocks.

Reading and writing this peripheral will turn into reading and writing the BRAM.

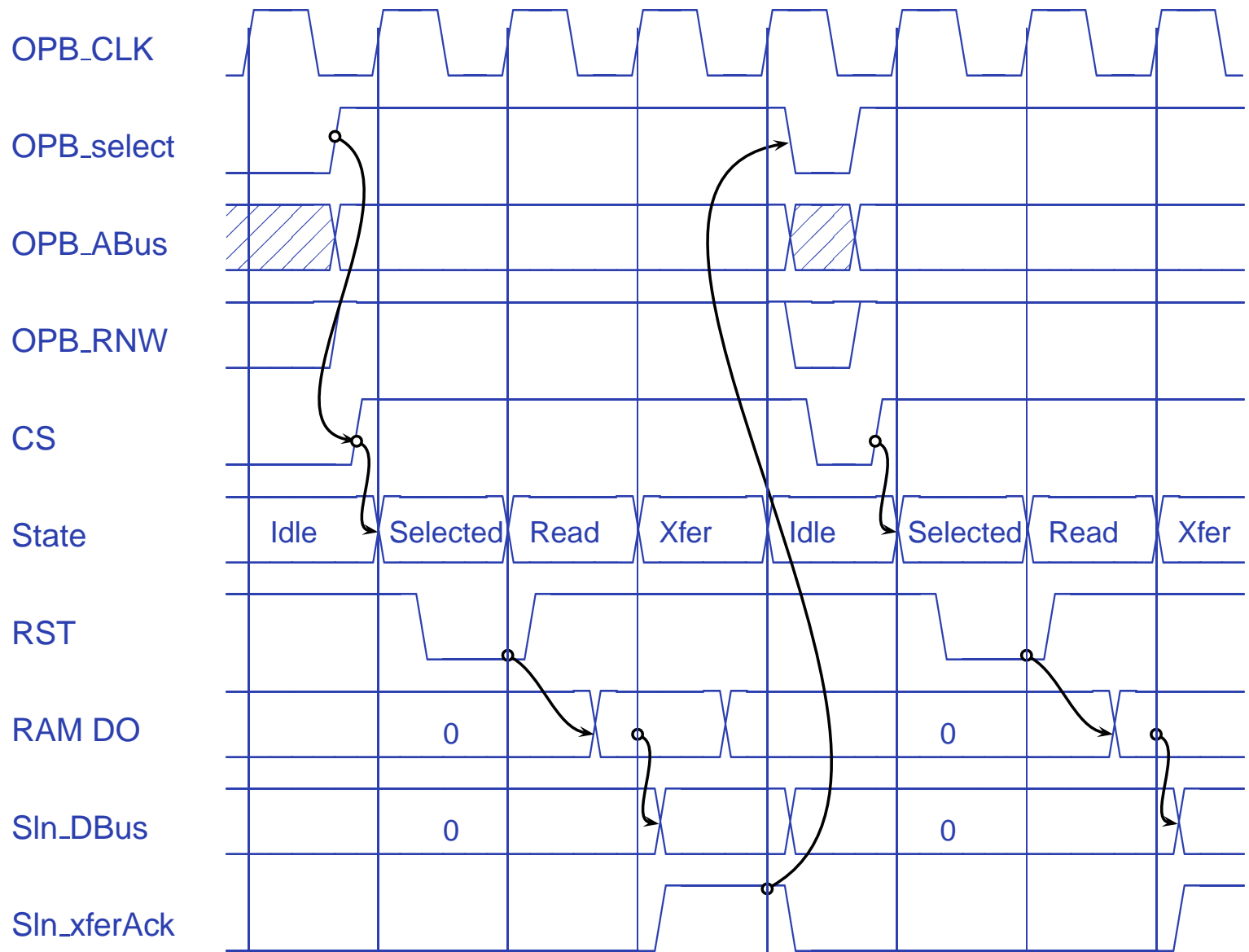
Block Diagram



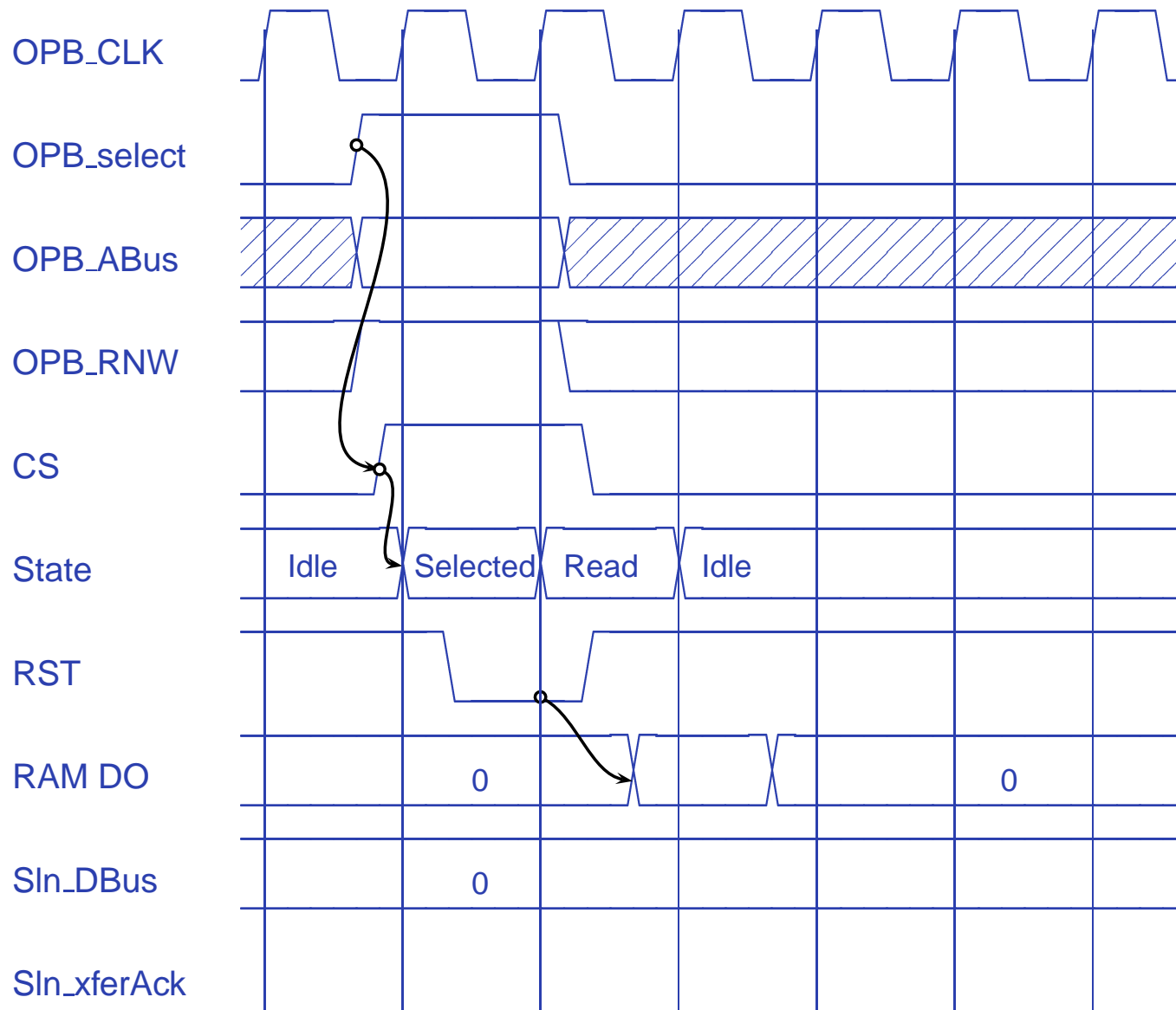
Read Cycle



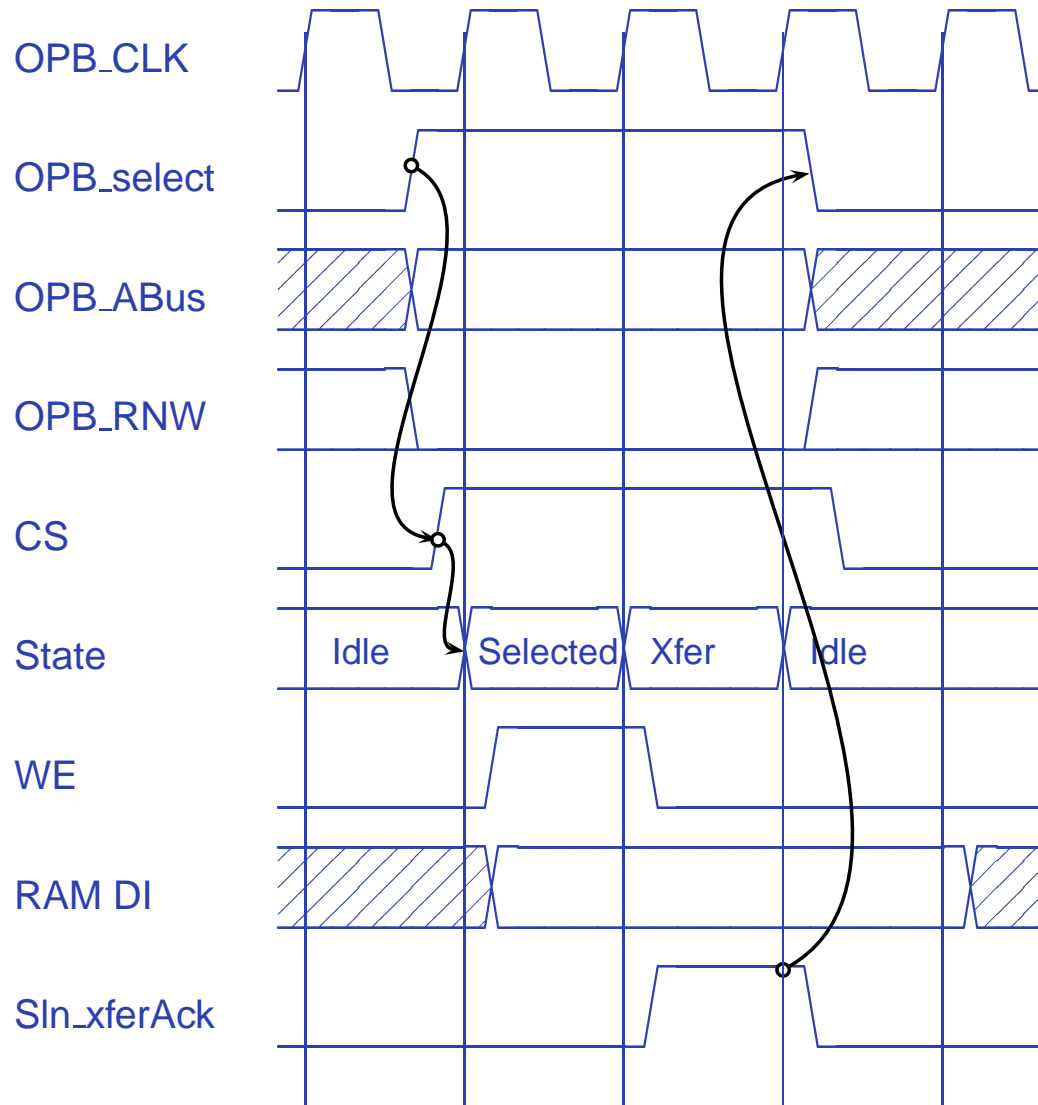
Back-to-back Read Cycles



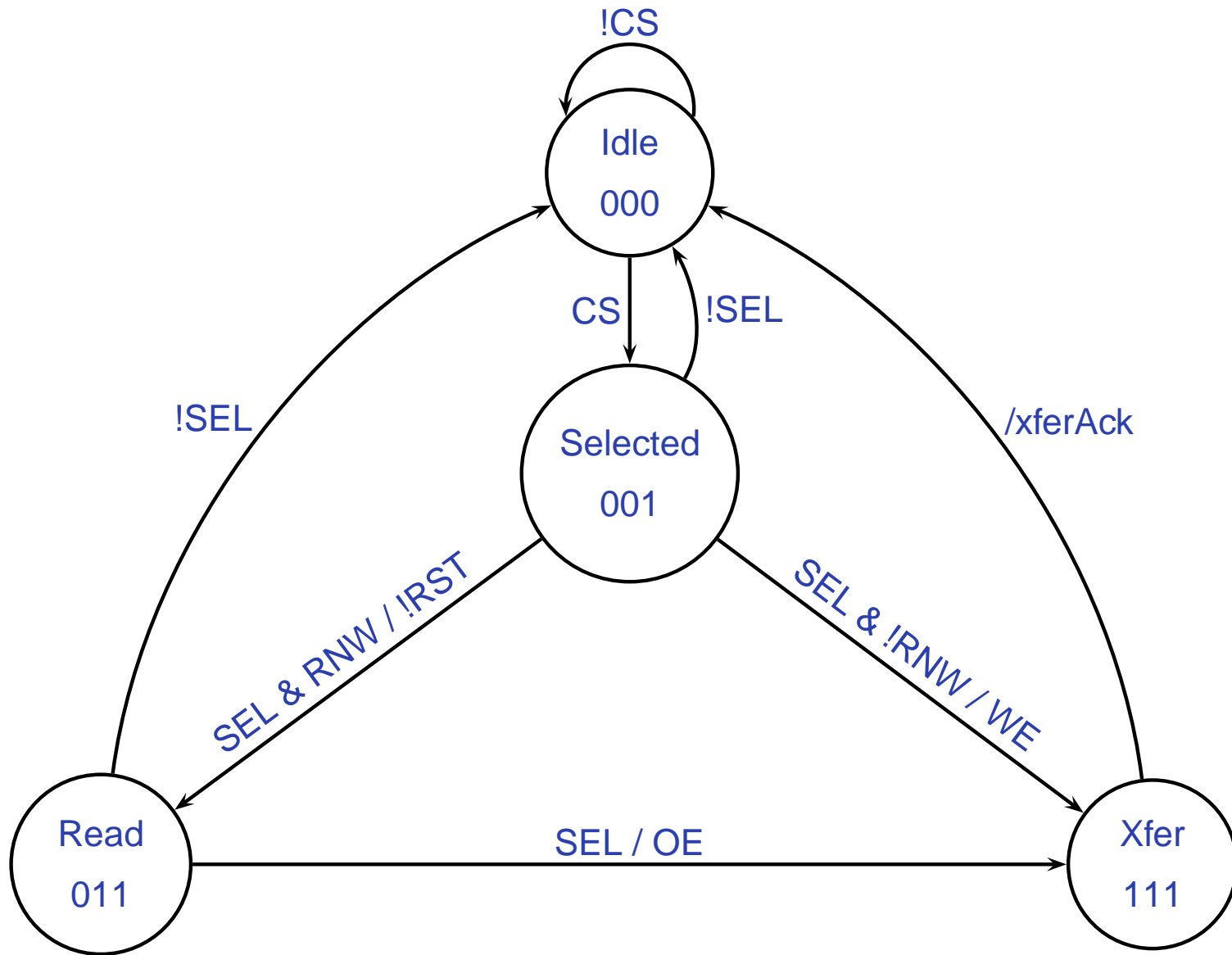
Aborted Read Cycle



Write Cycle



FSM



RAM component

```
signal WE, RST : std_logic;
signal RAM_DI, RAM_DO
    : std_logic_vector(0 to RAM_DWIDTH-1);
signal ABus
    : std_logic_vector(0 to RAM_AWIDTH-1);

RAMBlock : RAMB4_S8
port map (
    DO    => RAM_DO,
    ADDR => ABus,
    CLK  => OPB_Clk,
    DI   => RAM_DI,
    EN   => '1',
    RST  => RST,
    WE   => WE);
```

Input Registers

```
register_opb_inputs: process (OPB_Clk, OPB_Rst)
begin
    if OPB_Rst = '1' then
        RAM_DI <= (others => '0');
        ABus <= (others => '0');
        RNW <= '0';
    elsif OPB_Clk'event and OPB_Clk = '1' then
        RAM_DI <= OPB_DBus(0 to RAM_DWIDTH-1);
        ABus <=
            OPB_ABus(C_OPB_AWIDTH-3-(RAM_AWIDTH-1)
                    to C_OPB_AWIDTH-3);
        RNW <= OPB_RNW;
    end if;
end process register_opb_inputs;
```

Output Registers

```
register_opb_outputs: process (OPB_Clk, OPB_Rst)
begin
  if OPB_Rst = '1' then
    Sln_DBus(0 to RAM_DWIDTH-1) <= (others => '0');
  elsif OPB_Clk'event and OPB_Clk = '1' then
    if output_enable = '1' then
      Sln_DBus(0 to RAM_DWIDTH-1) <= RAM_DO;
    else
      Sln_DBus(0 to RAM_DWIDTH-1) <= (others => '0');
    end if;
  end if;
end process register_opb_outputs;
```

Chip Select

```
chip_select <=
  '1' when OPB_select = '1' and
    OPB_ABus(0 to C_OPB_AWIDTH-3-RAM_AWIDTH) =
    C_BASEADDR(0 to C_OPB_AWIDTH-3-RAM_AWIDTH)
  else '0';
```


FSM: Declarations

```
constant STATE_BITS : integer := 3;
constant Idle
  : std_logic_vector(0 to STATE_BITS-1) := "000";
constant Selected
  : std_logic_vector(0 to STATE_BITS-1) := "001";
constant Read
  : std_logic_vector(0 to STATE_BITS-1) := "011";
constant Xfer
  : std_logic_vector(0 to STATE_BITS-1) := "111";

signal present_state, next_state
  : std_logic_vector(0 to STATE_BITS-1);
```

FSM: Sequential

```
fsm_seq : process(OPB_Clk, OPB_Rst)
begin
    if OPB_Rst = '1' then
        current_state <= Idle;
    elsif OPB_Clk'event and OPB_Clk = '1' then
        current_state <= next_state;
    end if;
end process fsm_seq;
```

FSM: Combinational

```
fsm_comb : process(OPB_Rst, present_state,
                  chip_select, OPB_Select, RNW)
begin
  RST <= '1';
  WE <= '0';
  output_enable <= '0';
  if OPB_RST = '1' then
    next_state <= Idle;
  else
    case present_state is
      when Idle =>
        if chip_select = '1' then
          next_state <= Selected;
        else
          next_state <= Idle;
        end if;
    end case;
  end if;
end process;
```

FSM: Combinational

```
when Selected =>
  if OPB_Select = '1' then
    if RNW = '1' then
      RST <= '0';
      next_state <= Read;
    else
      WE <= '1';
      next_state <= Xfer;
    end if;
  else
    next_state <= Idle;
  end if;

when Read =>
  if OPB_Select = '1' then
    output_enable <= '1';
    next_state <= Xfer;
  else
    next_state <= Idle;
  end if;
```

FSM: Combinational

```
-- State encoding is critical here:  
--   xfer must only be true here  
when Xfer =>  
    next_state <= Idle;  
  
    when others =>  
        next_state <= Idle;  
    end case;  
end if;  
end process fsm_comb;
```

For more information...

Xilinx Processor IP Reference Guide

IBM On-Chip Peripheral Bus Architecture
Specification