

Hardware-Software Interfaces

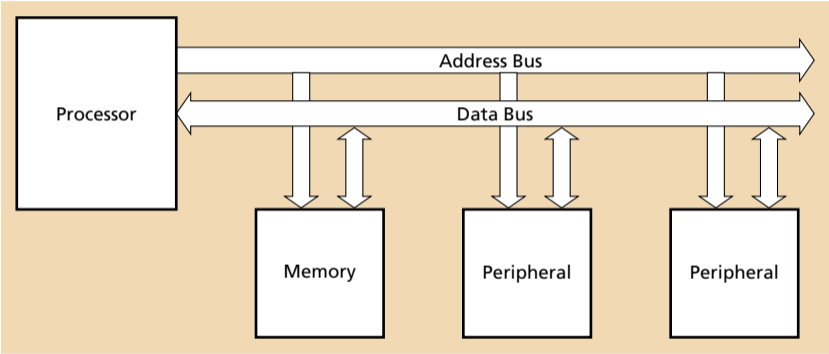
CSEE W4840

Prof. Stephen A. Edwards

Columbia University

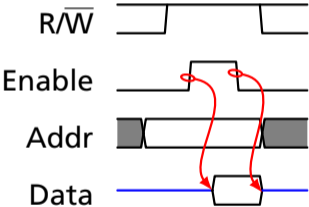
Spring 2023

Processor System Block Diagram

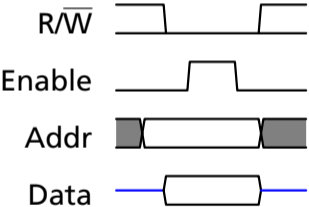


Simple Bus Timing

Read Cycle

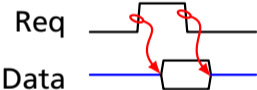


Write Cycle

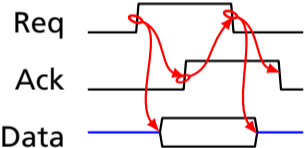


Strobe vs. Handshake

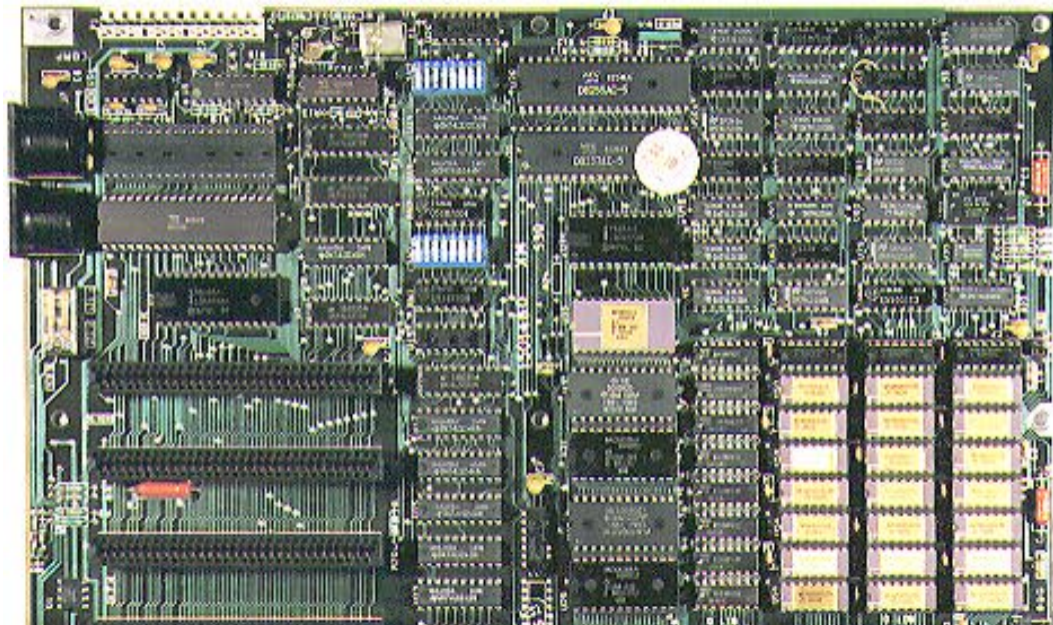
Strobe



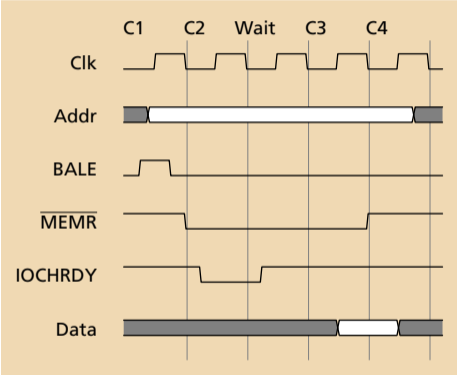
Handshake



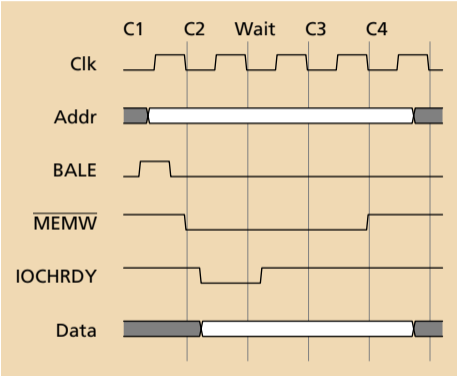
1982: The IBM PC/XT



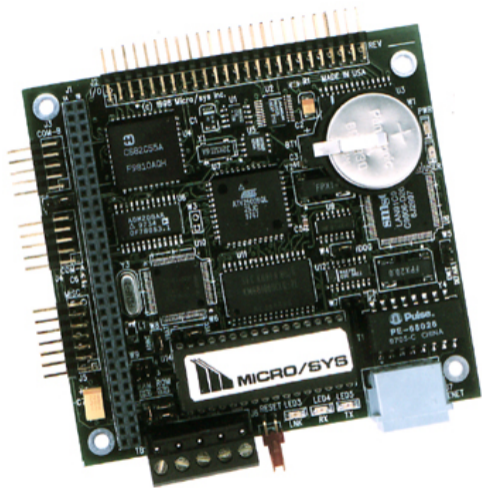
The ISA Bus: Memory Read



The ISA Bus: Memory Write



The PC/104 Form Factor: ISA Lives



Embedded System Legos. Stack 'em and go.

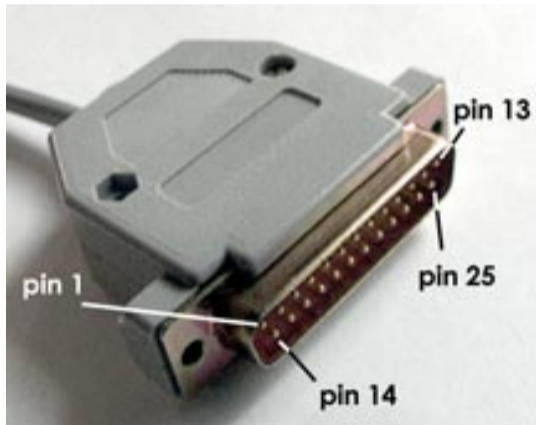
Memory-Mapped I/O

- ▶ To a processor, everything is memory.
- ▶ Peripherals appear as magical memory locations.
- ▶ Status registers: when read, report state of peripheral
- ▶ Control registers: when written, change state of peripheral

Typical Peripheral: PC Parallel Port

At Standard TTL Levels

	Signal Name	Adapter Pin Number	
	- Strobe	1	
E	+Data Bit 0	2	P
X	+Data Bit 1	3	A
T	+Data Bit 2	4	R
E	+Data Bit 3	5	A
R	+Data Bit 4	6	L
N	+Data Bit 5	7	L
A	+Data Bit 6	8	E
L	+Data Bit 7	9	L
	- Acknowledge	10	
D	+Busy	11	A
E	+Paper End	12	D
V	+Select	13	A
I	-Auto Feed	14	P
C	-Error	15	T
E	-Initialize	16	E
	- Select Input	17	R
	Ground	18-25	



Strobe



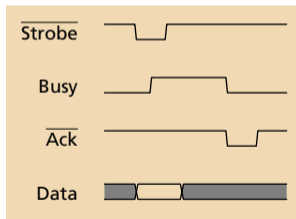
0



Parallel Port Registers

D7	D6	D5	D4	D3	D2	D1	D0	0x378
$\overline{\text{Busy}}$	Ack	Paper	Sel	Err				0x379
				$\overline{\text{Sel}}$	Init	$\overline{\text{Auto}}$	$\overline{\text{Strobe}}$	0x37A

1. Write Data
2. Assert Strobe
3. Wait for Busy to clear
4. Wait for Acknowledge



A Parallel Port Driver

```
#define DATA    0x378
#define STATUS  0x379
#define CONTROL 0x37A

#define NBSY 0x80
#define NACK 0x40
#define OUT  0x20
#define SEL  0x10
#define NERR 0x08
#define STROBE 0x01

#define INVERT (NBSY | NACK |          SEL | NERR)
#define MASK   (NBSY | NACK | OUT | SEL | NERR)
#define NOT_READY(x) ((inb(x)^INVERT)&MASK)

void write_single_character(char c) {
    while (NOT_READY(STATUS)) ;
    outb(DATA, c);
    outb(CONTROL, control | STROBE); /* Assert STROBE */
    outb(CONTROL, control ); /* Clear STROBE */
}
```


Interrupts and Polling

Two ways to get data from a peripheral:

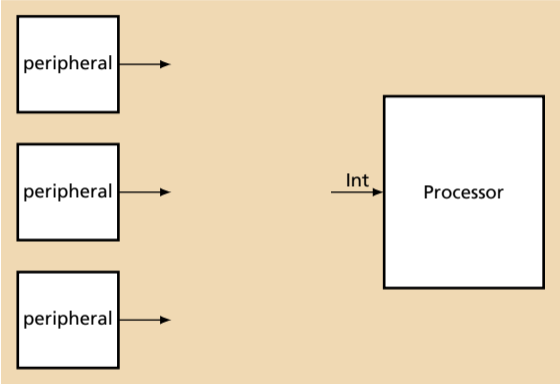
- ▶ Polling: "Are we there yet?"
- ▶ Interrupts: Ringing Telephone

Interrupts

Basic idea:

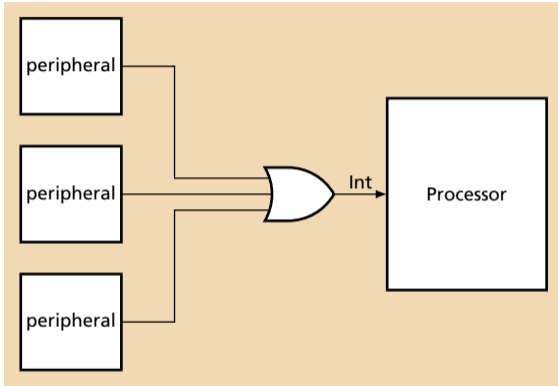
1. Peripheral asserts a processor's interrupt input
2. Processor temporarily transfers control to interrupt service routine
3. ISR gathers data from peripheral and acknowledges interrupt
4. ISR returns control to previously-executing program

Many Different Interrupts



What's a processor to do?

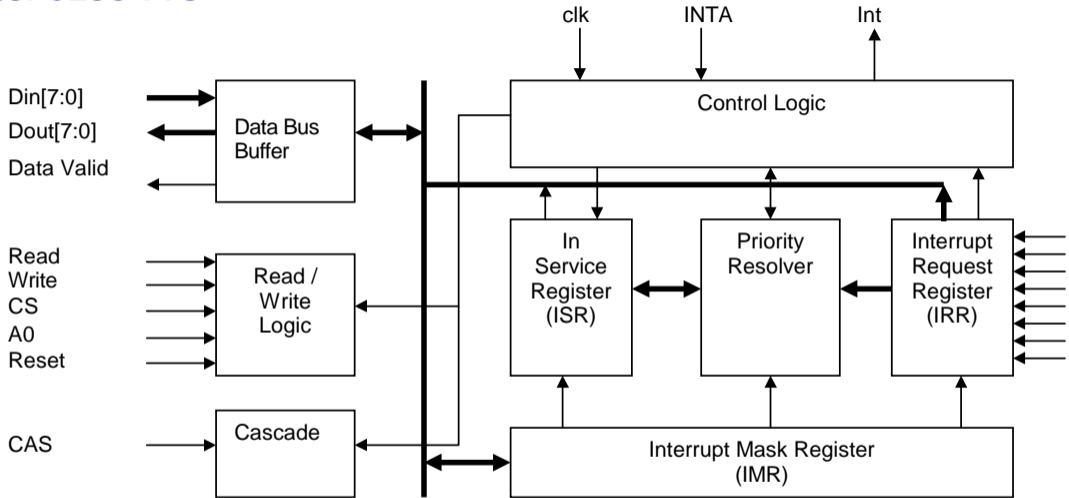
Many Different Interrupts



What's a processor to do?

ISR polls all potential interrupt sources, then dispatches handler.

Intel 8259 PIC



Prioritizes incoming requests & notifies processor

ISR reads 8-bit interrupt vector number of winner