

Processors, FPGAs, and ASICs

Part 1: Full Custom to PLDs

Stephen A. Edwards

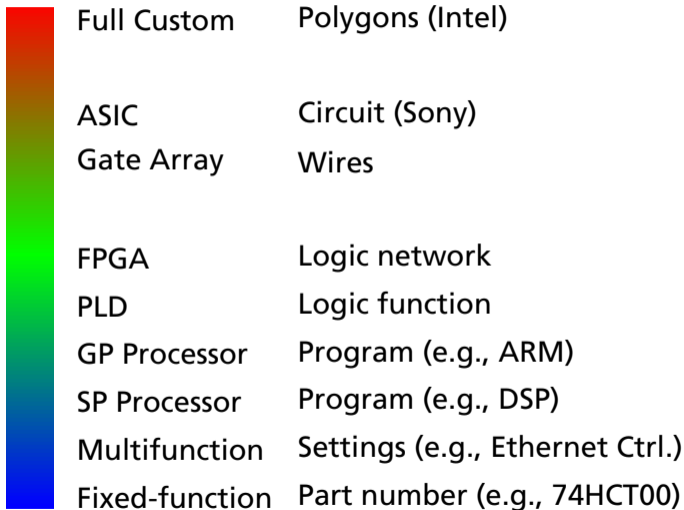
Columbia University

Spring 2022

Spectrum of IC choices

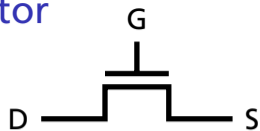
Flexible, efficient

You choose

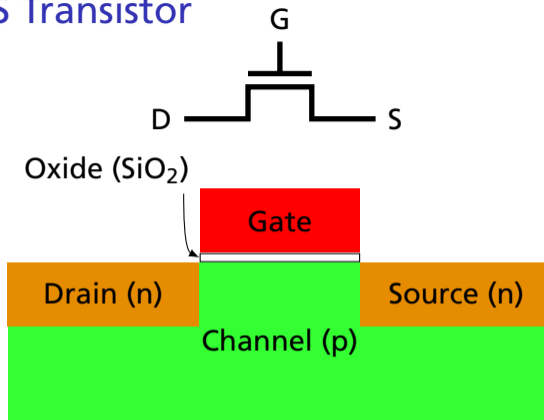


Cheap, quick to design

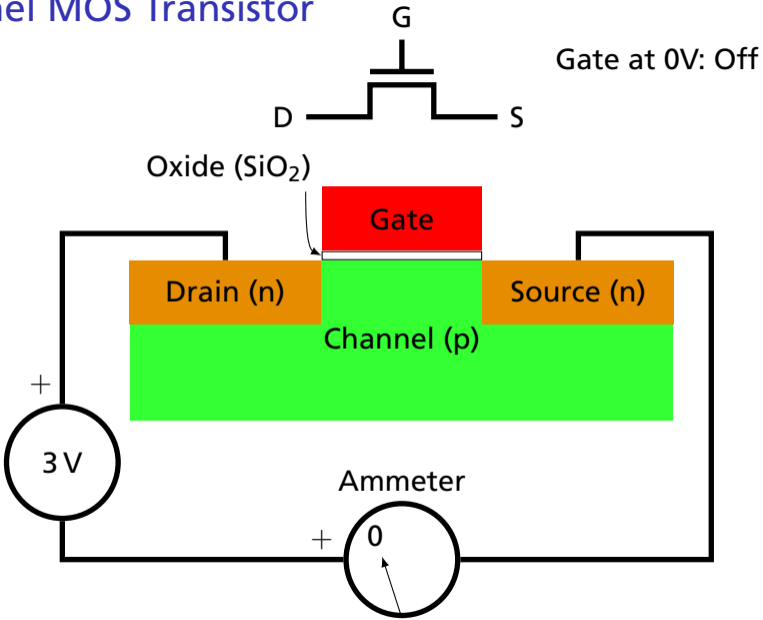
An N-Channel MOS Transistor



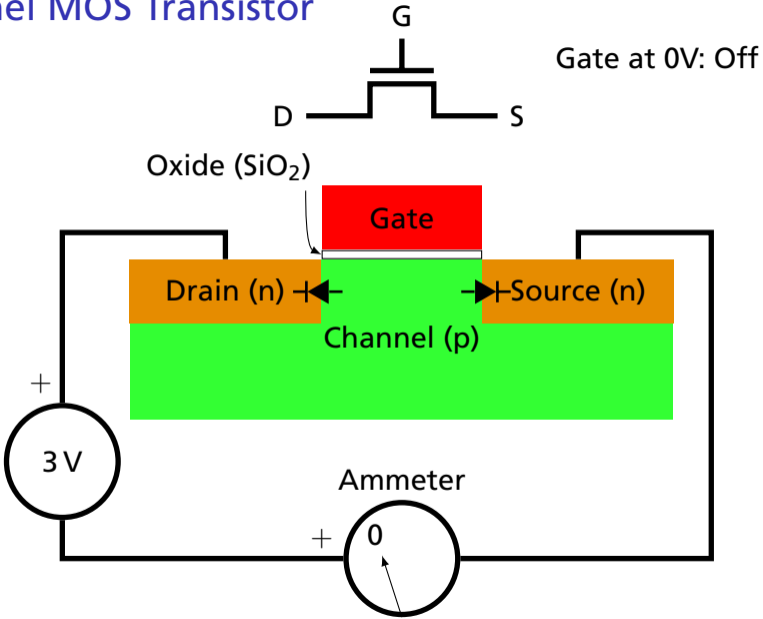
An N-Channel MOS Transistor



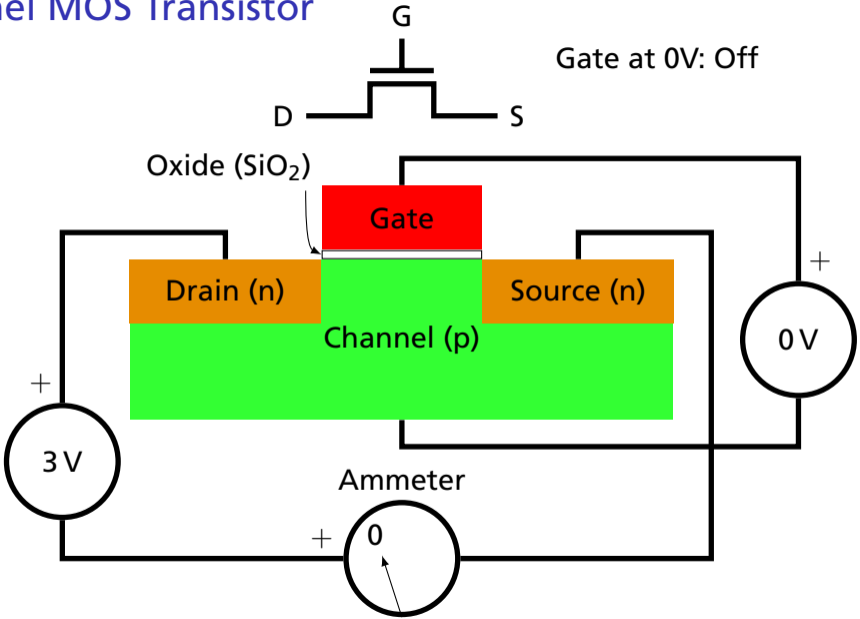
An N-Channel MOS Transistor



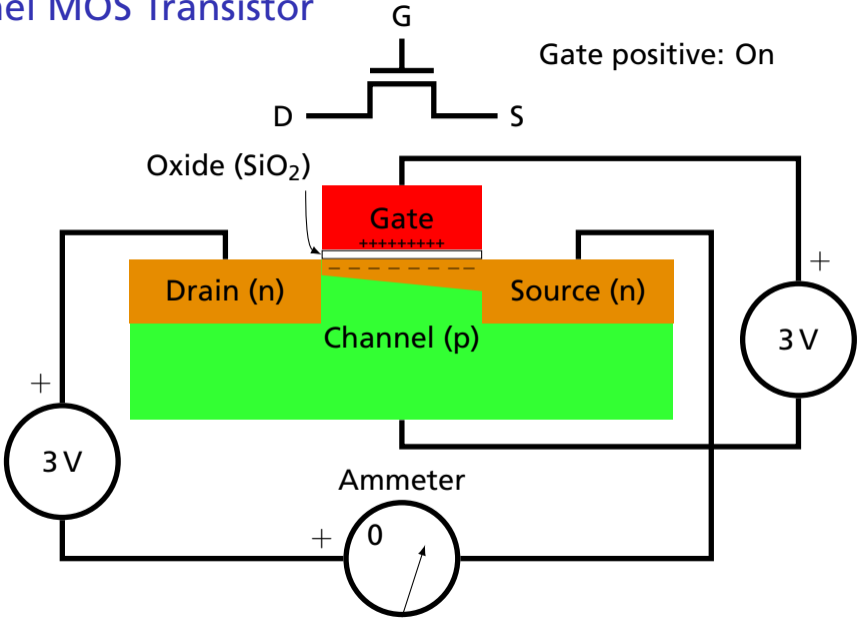
An N-Channel MOS Transistor



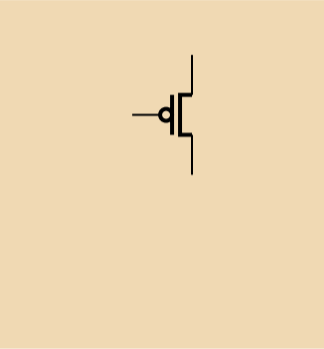
An N-Channel MOS Transistor



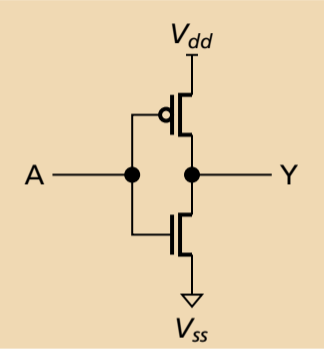
An N-Channel MOS Transistor



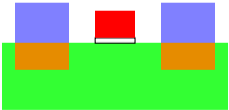
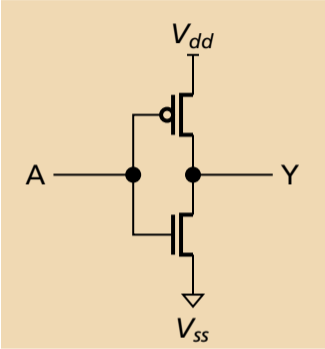
CMOS Inverter Layout



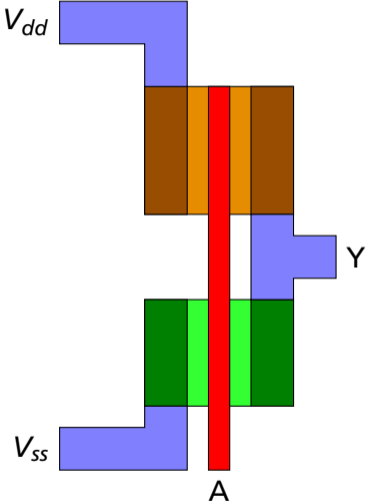
CMOS Inverter Layout



CMOS Inverter Layout

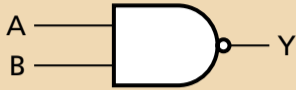


Cross Section Through N-channel FET



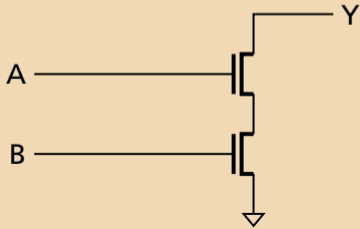
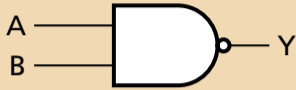
Top View

The CMOS NAND Gate



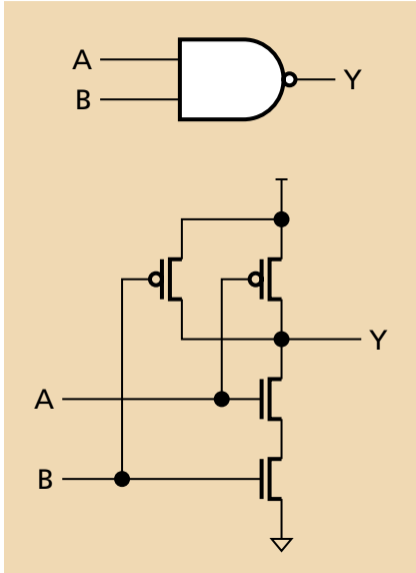
Two-input NAND gate:

The CMOS NAND Gate



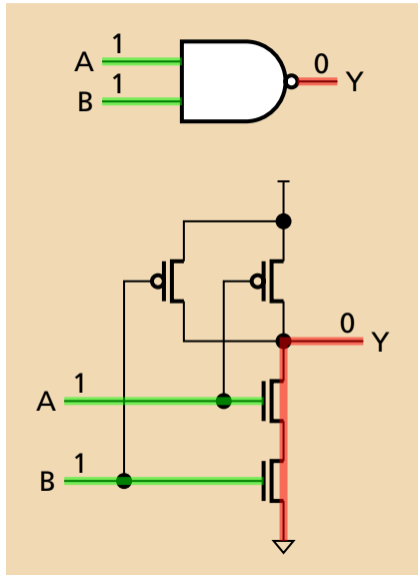
Two-input NAND gate:
two n-FETs in series;

The CMOS NAND Gate



Two-input NAND gate:
two n-FETs in series;
two p-FETs in parallel

The CMOS NAND Gate



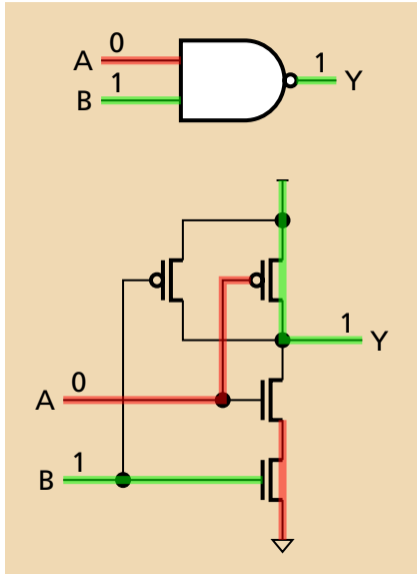
Both inputs 1:

Both n-FETs turned on

Output pulled low

Both p-FETs turned off

The CMOS NAND Gate



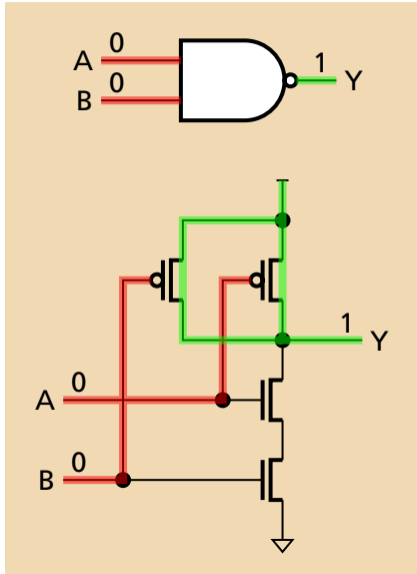
One input 1, the other 0:

One p-FET turned on

Output pulled high

One n-FET turned on, but does not control output

The CMOS NAND Gate

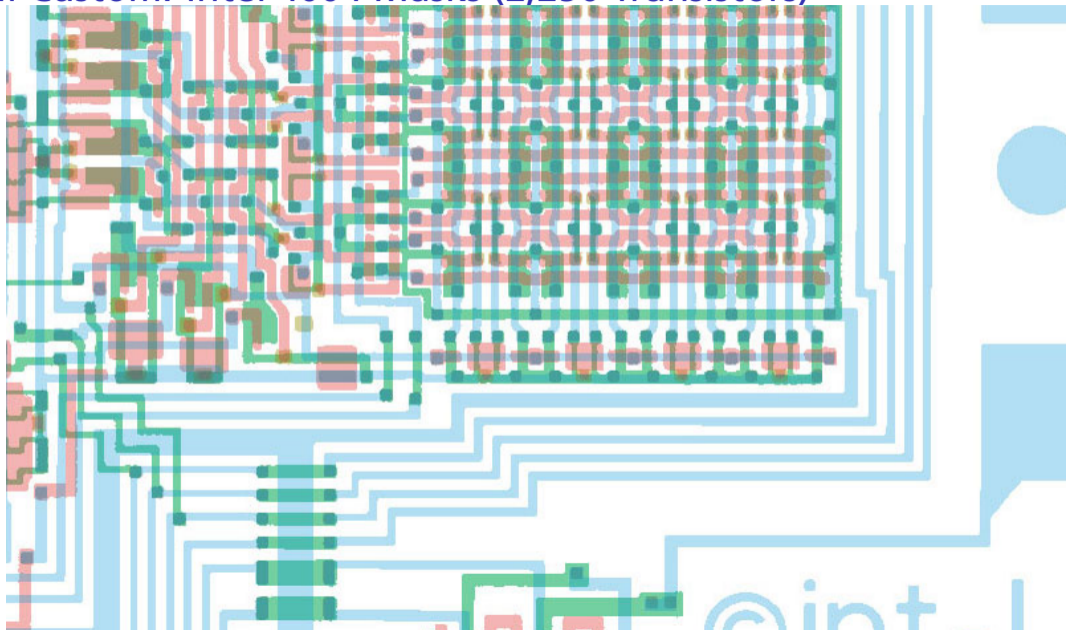


Both inputs 0:

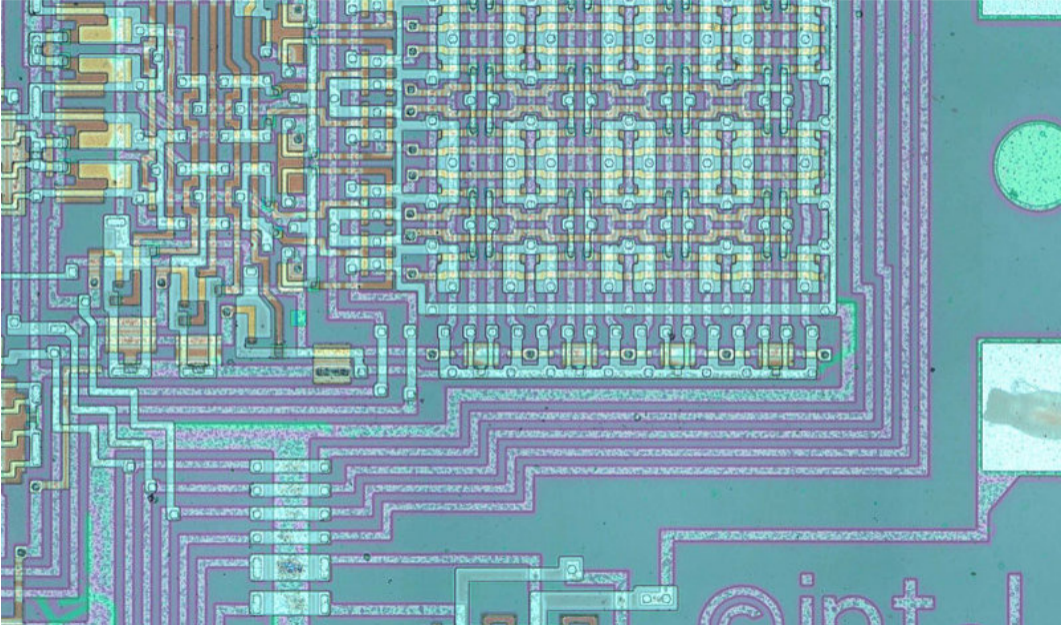
Both p-FETs turned on

Output pulled high

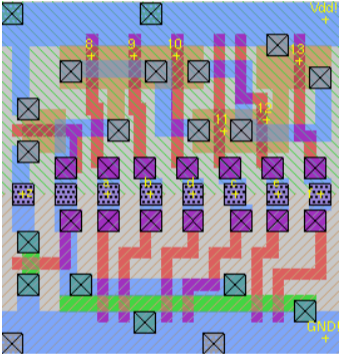
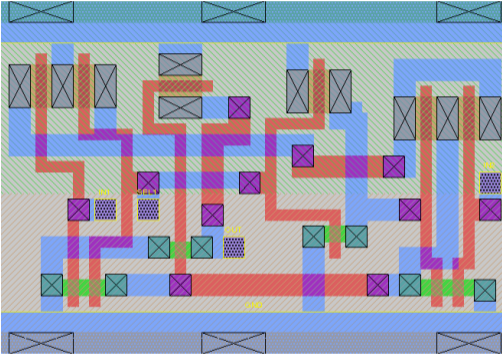
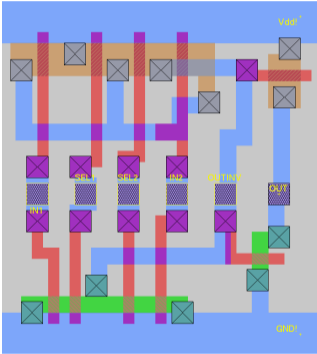
Full Custom: Intel 4004 Masks (2,250 Transistors)



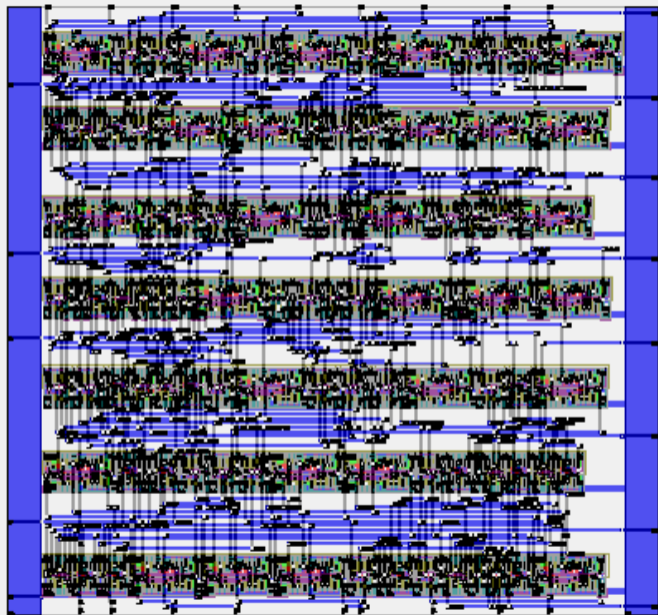
Full Custom: Intel 4004 Die Photograph



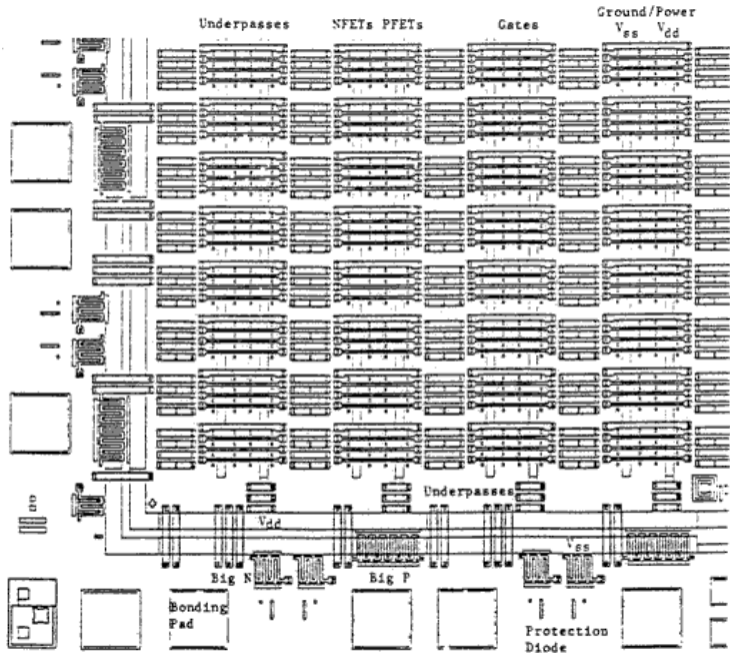
Standard Cell ASICs



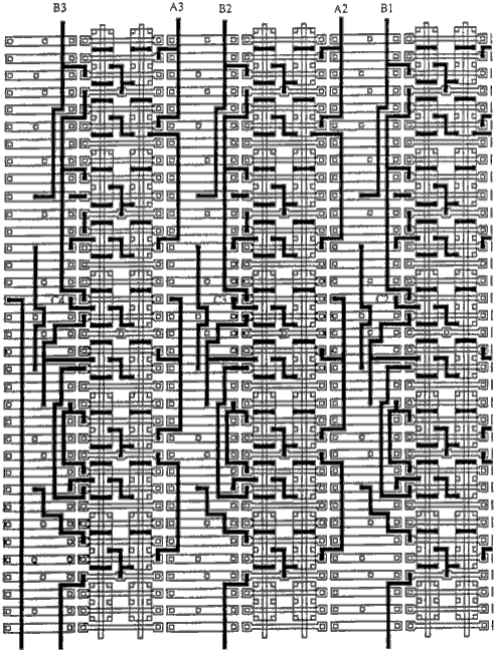
Standard Cell ASICs



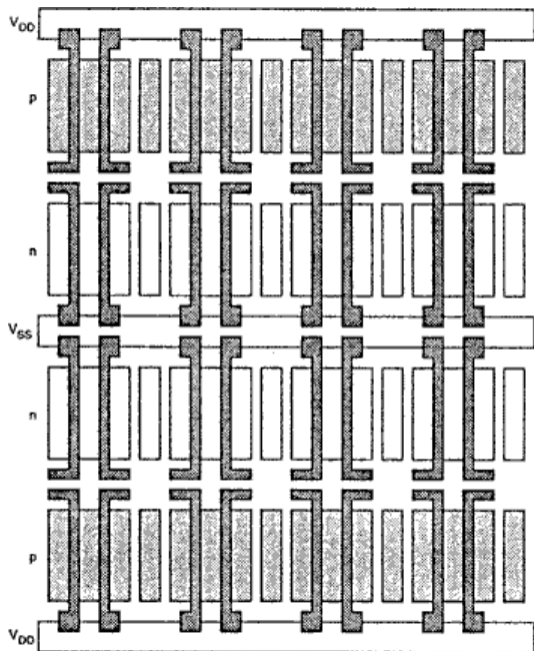
Channeled Gate Arrays



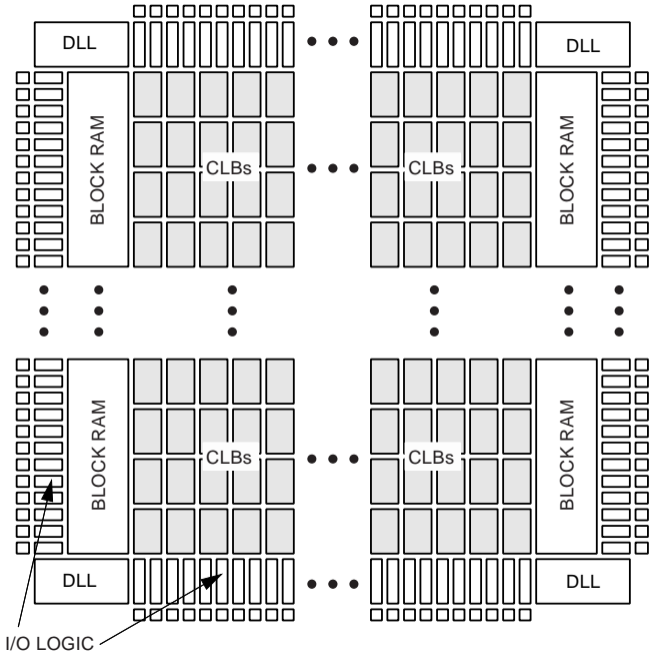
Channeled Gate Arrays



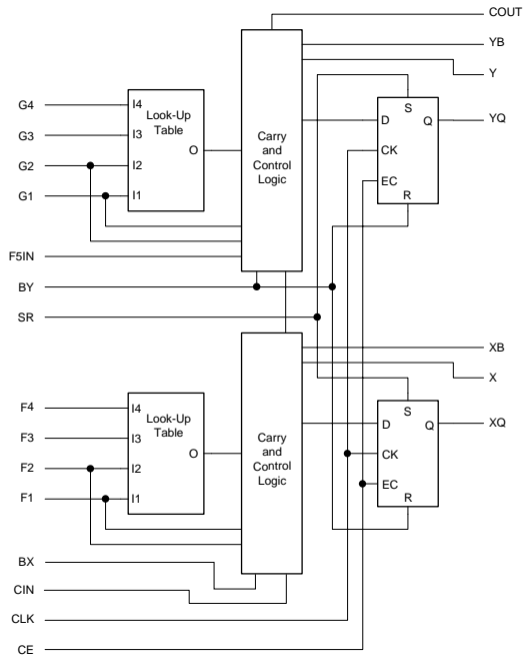
Sea-of-Gates Gate Arrays



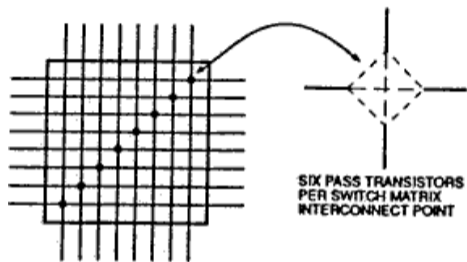
FPGAs: Floorplan



FPGAs: CLB

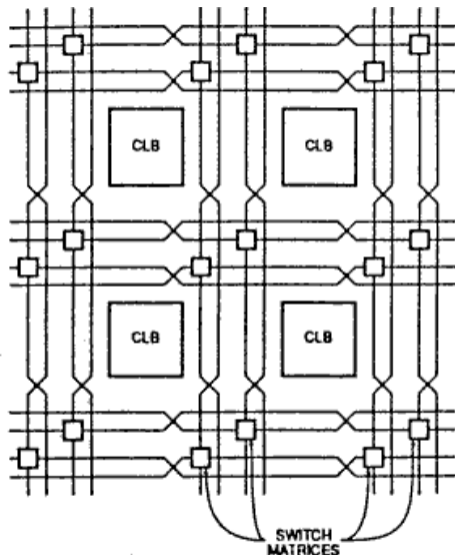


FPGAs: Routing



SIX PASS TRANSISTORS
PER SWITCH MATRIX
INTERCONNECT POINT

Single-length line Switch Matrix connections



Double-length lines in CLB array

PLAs/CPLDs: The 22v10

