
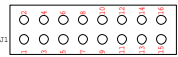
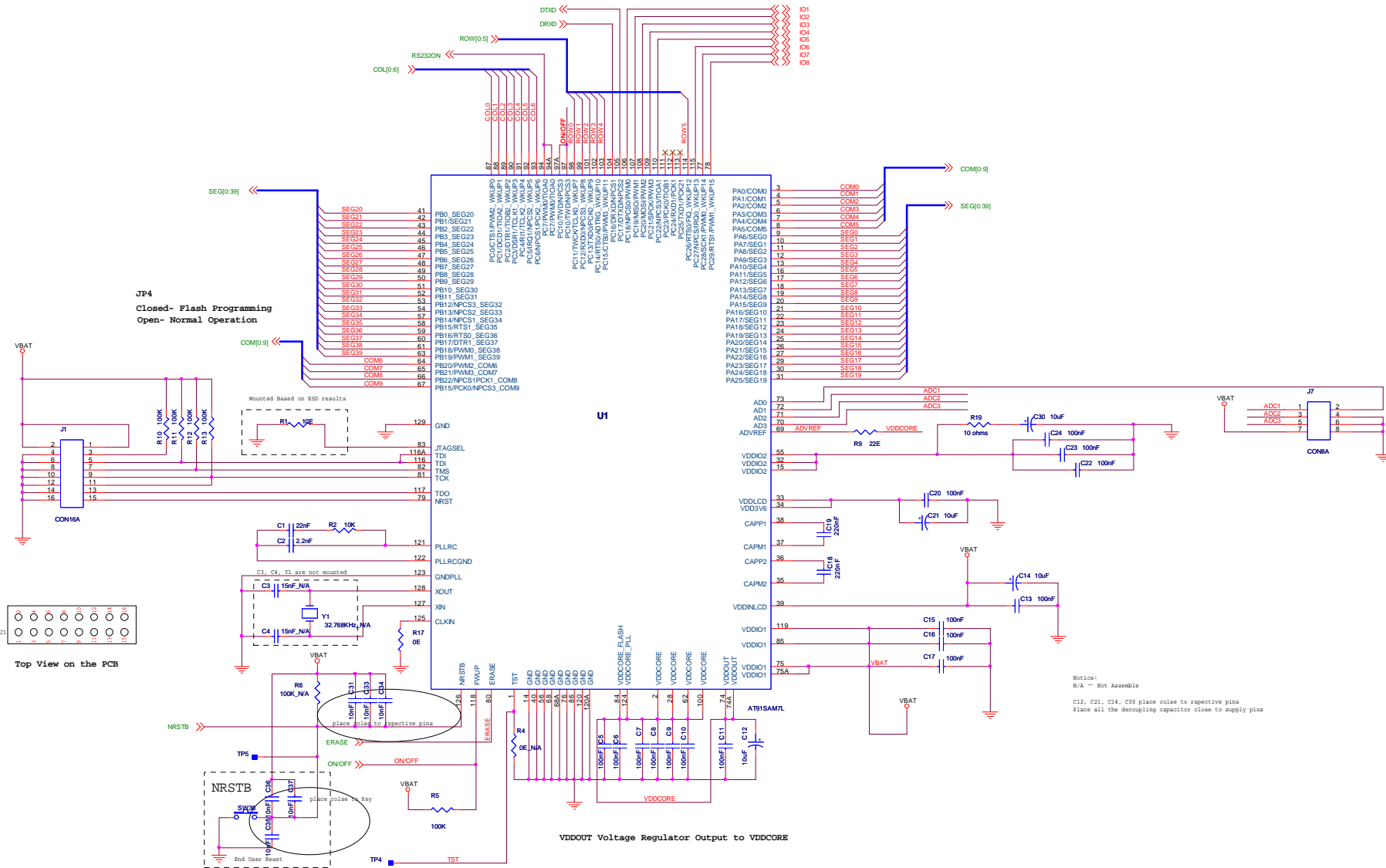
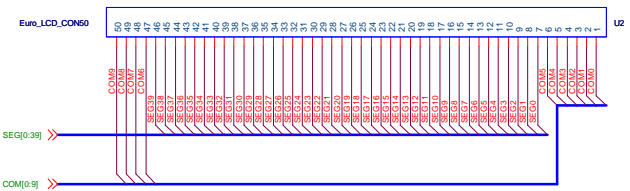
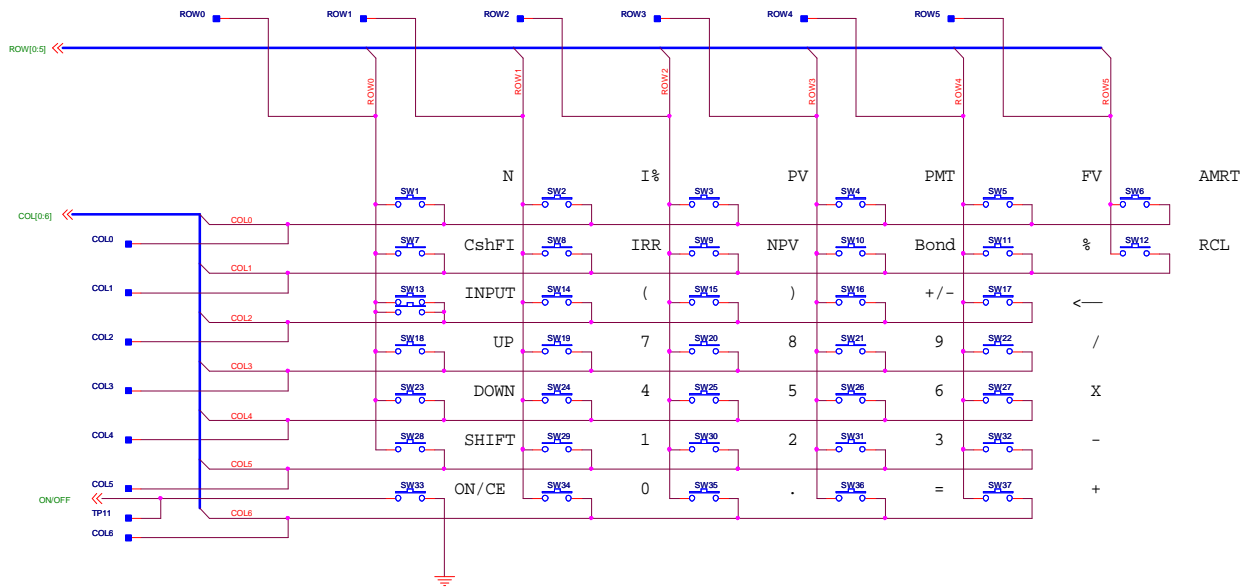


<i>REV</i>	<i>Page</i>	<i>DESCRIPTION</i>	<i>DATE</i>
02A	1	J1 change from 20pin to 16pin Modify U1 pin number	28-12-2007
	3	Modify J31~J36 pin definition	
03A	1	add 5 10nf MC to VBAT with NRSTB (for ESD)	16-2-2008
	2	add 2 Bead with Battery +	

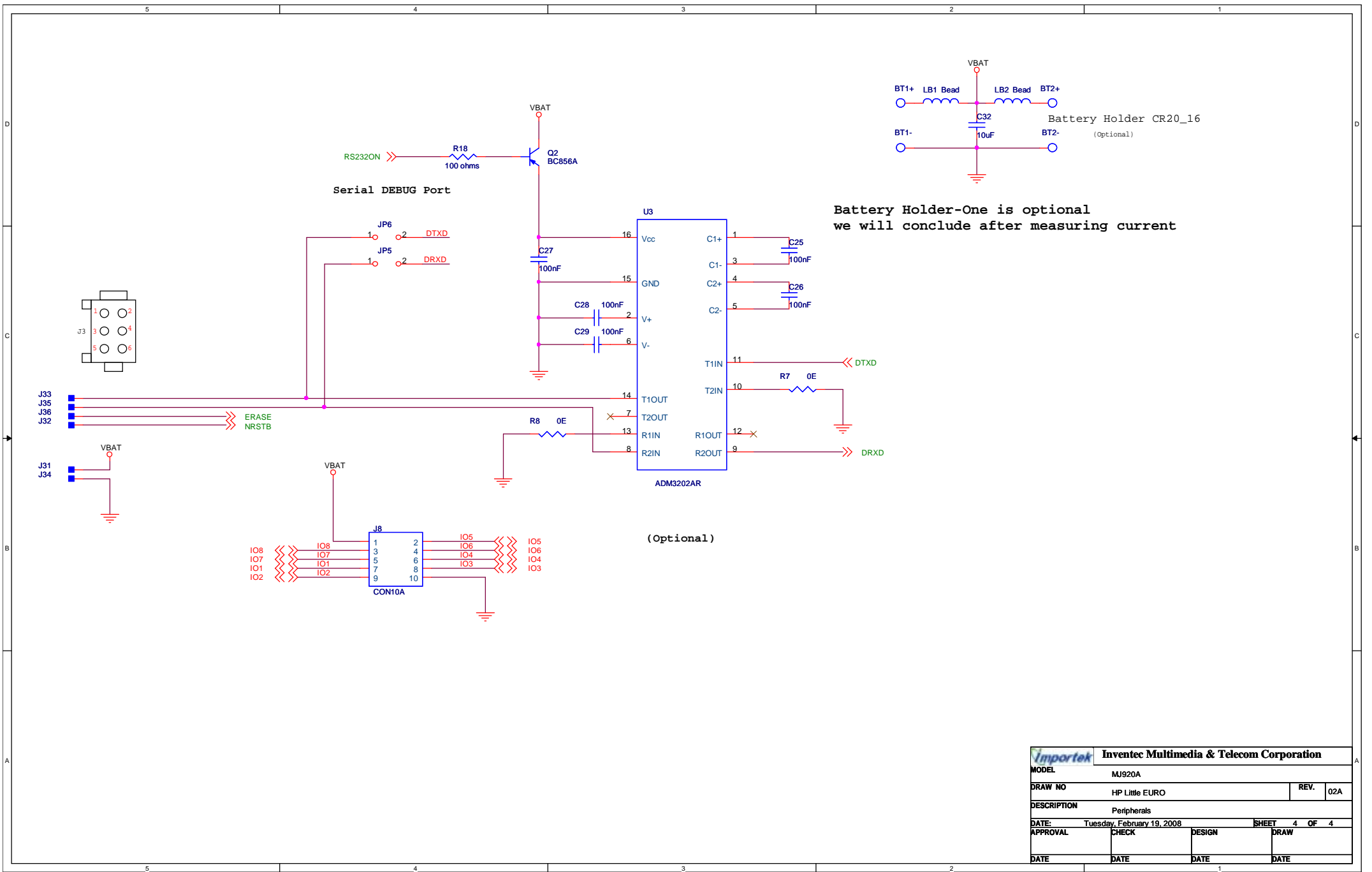
		<b>Inventec Multimedia &amp; Telecom Corporation</b>	
<b>MODEL</b> MJ920A			
<b>DRAW NO</b>	HP Little EURO	<b>REV.</b>	02A
<b>DESCRIPTION</b> History			
<b>DATE:</b>	Tuesday, February 19, 2008	<b>SHEET</b>	1 OF 4
<b>APPROVAL</b>	<b>CHECK</b>	<b>DESIGN</b>	<b>DRAW</b>
<b>DATE</b>	<b>DATE</b>	<b>DATE</b>	<b>DATE</b>



<b>Important</b> Intevac Multimedia & Telecom Corporation			
MODEL	M.820A		
DRAW NO	HP Lite EURO	REV.	02A
DESCRIPTION	CPU		
DATE	Tuesday, February 19, 2008	DESIGN	SHEET 2 OF 4
APPROVAL	CHECK	DESIGN	DRAW
DATE	DATE	DATE	DATE



<b>Inventec Multimedia &amp; Telecom Corporation</b>			
MODEL	HP EURO		
DRAW NO	M.820A	REV.	02A
DESCRIPTION	Keypad & LCD		
DATE	Tuesday, February 19, 2008	DESIGN	SHEET 3 OF 4
APPROVAL	CHECK	DESIGN	DRAW
DATE	DATE	DATE	DATE



<b>Importek</b>				<b>Inventec Multimedia &amp; Telecom Corporation</b>			
MODEL	MJ920A						
DRAW NO	HP Little EURO					REV.	02A
DESCRIPTION	Peripherals						
DATE:	Tuesday, February 19, 2008			SHEET	4 OF 4		
APPROVAL	CHECK	DESIGN	DRAW				
DATE	DATE	DATE	DATE				