



# Multimedia Communication System (FM-C100L)

## Audio-Video Teleconference System over LAN

Real-time multimedia communication of video, audio and data can be realized using the FM-C100L over LAN on your personal computer or workstation. This system, with video windows accompanied by sound, enables two parties to speak to each other while cooperating on work such as design plans.

### Features

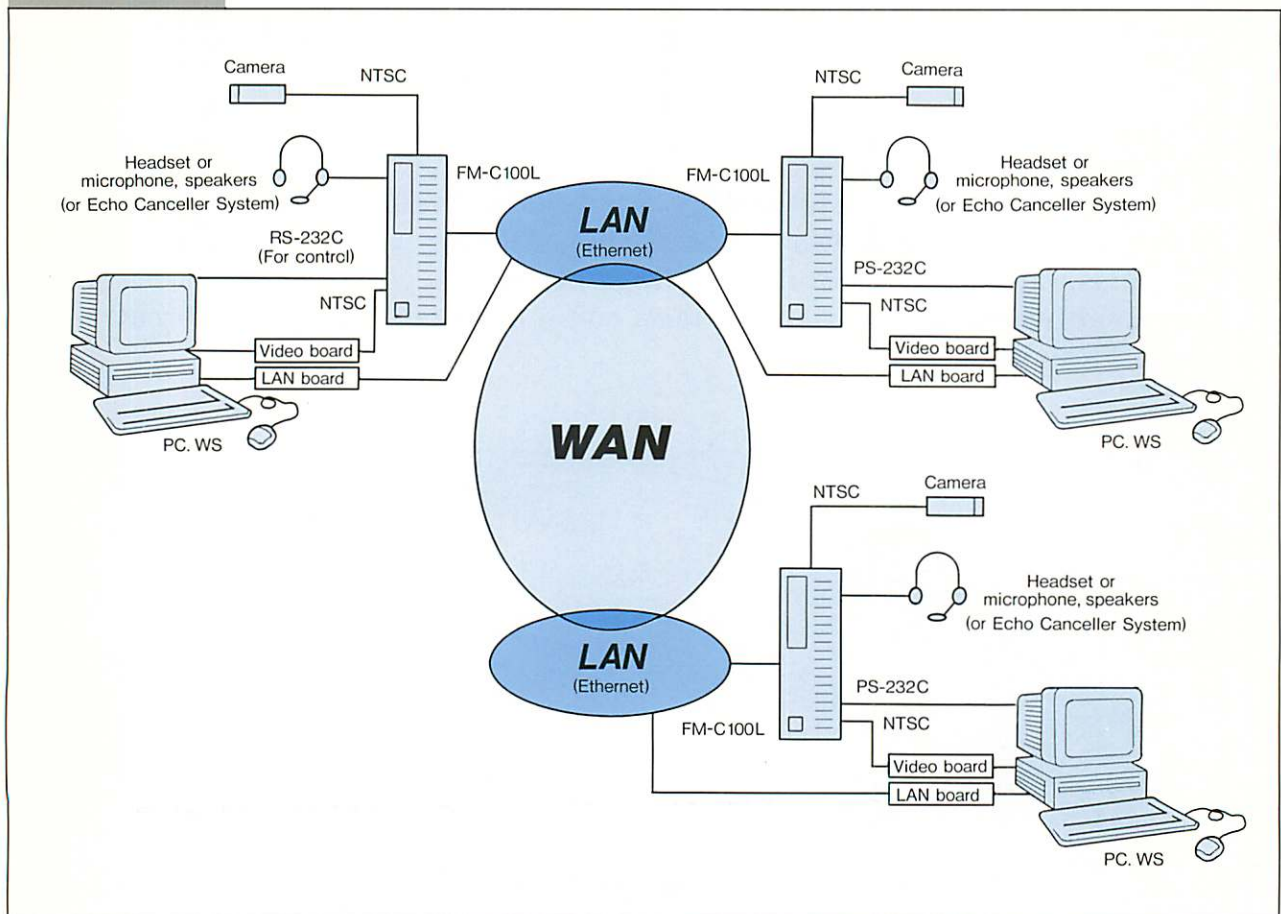
- Uses TCP/IP protocol, compatible with Ethernet which is the most widespread LAN standards.
- Uses original control technology to detect data traffic congestion during LAN communications, and to automatically switch image transmission speed without interrupting operation.
- Enables communication of video, audio and data between different LANs via WAN.



## Specifications

Item		Details
Suitable network		Ethernet LAN (IEEE 802.3)
Communication speed	Video	16, 32, 64, 128, 192kb/s (Video communication speed variable depending how busy the LAN is)
	Audio	16kb/s
Video encoding system		Conforming to CCITT H.261 standard
Audio encoding system		Conforming to CCITT B.728 standard, 3.4kHz
Video signal		NTSC
External control		Via RS-232C or LAN
External control terminal		Macintosh, PC-AT or compatible, PC-9800 series (NEC), Sun, etc.
Monitor		VGA color monitor (640×480) or higher
External dimensions, weight		110 (W)×340 (H)×400 (D) mm, 14 kg

\*Specification may be changed without notice.



Please contact NTT International at the following address

**NTT International Corporation**

URBANNET IKEBUKURO BLDG. 16-3, Higashi Ikebukuro 3-chome Toshima-ku, Tokyo 170, Japan

Telephone: +81-3-5956-9054 Facsimile: +81-3-5956-9015



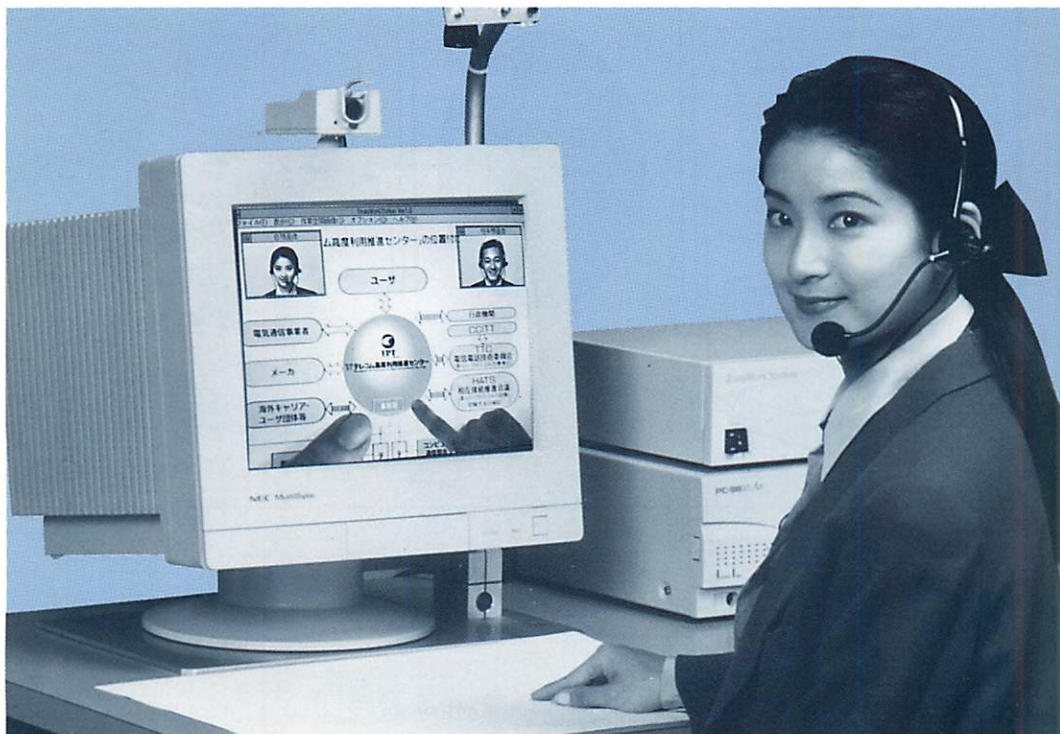
# Team Work Station (TWS)

Multimedia System for Remote Team Work

TeamWorkStation provides the media for remotely located team members to not only hear each other's voice, see each other's facial images but also edit the same page of a document on each member's screen simultaneously when working together. This is accomplished by using a translucent video overlay technique.

## Features

- Desk Images of both parties could be overlaid simultaneously
- Facial Images of both parties could be displayed simultaneously
- Pull down menu for image selection, contrast, screen movement, etc.
- Communication interface: ISDN (Basic and Primary) and Ethernet
- External video and voice input and image print out possible



## Specifications

### TWS BOX

Item	Details
Voice I/O	mini jack×2 (microphone, speaker), RCA jack×2 (external input, external output)
Video I/O	RCA jack×4 (Desktop image input, face image input, external image input, image output)
External Control	via RS-232C Dsub 25 pin×2: TWS BOX control and low speed data Dsub 9 pin×1: CODEC power control

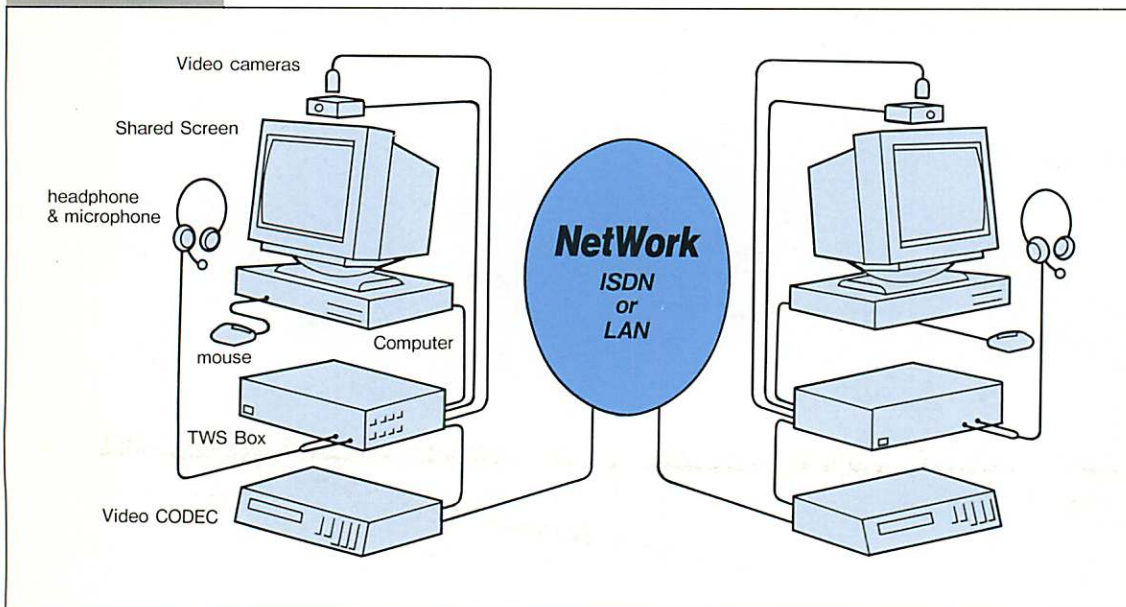
### Video CODEC for network (ISDN or LAN)

External dimensions	110 (W)×400 (D)×340 (H): for LAN 350 (W)×352 (D)×115 (H): for ISDN
---------------------	---

### Other Component

CPU	PC-AT or compatible PC-9800 series (NEC)
Image Board	One that could overlay Video signal and PC display signal
RS232C	2 ports necessary
Monitor	Analog RGB Monitor (640×480 or above)
Camera	2 NTCS color cameras
Voice I/O	Headset (or hands-free speech system; optional)
Video Printer	Optional

※ Specification may be changed without notice.



Please contact NTT International at the following address

**NTT International Corporation**

URBANNET IKEBUKURO BLDG. 16-3, Higashi Ikebukuro 3-chome Toshima-ku, Tokyo 170, Japan

Telephone: +81-3-5956-9054 Facsimile: +81-3-5956-9015



# SmoothTalk (Echo Canceller)

## High Performance Acoustic Echo Canceller

SmoothTalk provides a comfortable full duplex, hands-free telecommunication environment when using loudspeaker (s) and microphone(s) in audio/video teleconference and personal multimedia teleconference. The seamless acoustic environment created by the SmoothTalk allows two parties to talk to each other as if they were in the same room, regardless of the microphone position.

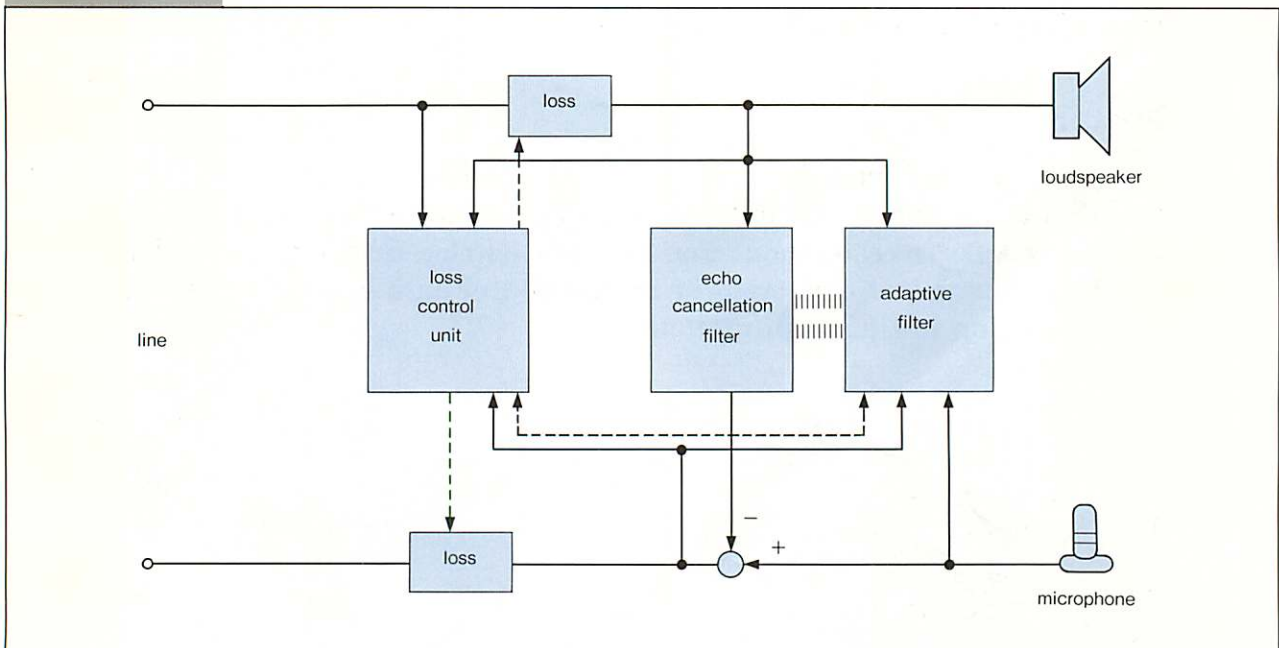
### Features

- Digital elimination of acoustic echo and howling.
- High quality audio teleconferencing with smooth talk.
- Four times faster echo cancellation by newly developed adaptive algorithm.
- Fully simultaneous conversation by new double-talk control technique.
- No annoying initial training tones.



## Specifications

Item	Details
Frequency response	100Hz-7.3kHz
Echo cancellation span	125ms
Acoustic echo return loss enhancement	35dB
Analog 4-wire line in/out	Phono (RCA) connector, -9dBm nominal, +9dBm maximum, 11k $\Omega$ /600 $\Omega$
Audio in	Switchable with a microphone and an external mixer Input.
Audio out	Switchable with a loudspeaker and an external power amplifier.
Power requirements	90-110V AC, 50/60Hz, 20W
Dimensions	420mm (W)×60mm (H)×350mm (D)
Weight	4.0kg



Please contact NTT International at the following address

**NTT International Corporation**

URBANNET IKEBUKURO BLDG. 16-3, Higashi Ikebukuro 3-chome Toshima-ku, Tokyo 170, Japan

Telephone: +81-3-5956-9054 Facsimile: +81-3-5956-9015