

PAH!

A voice activated video game

Sheng Zheng      sz2372

Yi Su              ys2646

Kezhen Liu        kl2688

Hao Hu            hh2506

Shaobo He        sh3156

I. Abstract.....	3
II. Introduction.....	3
III. Architecture .....	6
IV. Audio input and output .....	7
A. Audio Input.....	7
B. Audio Output.....	8
V. Voice Processing controller: .....	9
A. Pah! Generator:.....	9
B. Ah! Generator:.....	10
C. FFT Megafunction:.....	12
D. On chip memory allocation: .....	13
VI. VIDEO PROCESSING.....	14
A. Image storage .....	14
B. VGA display.....	15
VII. Game logic.....	15
VIII. Conclusion.....	16
IX. Appendix.....	16

## I. ABSTRACT

The idea of our project is to implement one of the most popular iOS game "PAH" on the Altera Cyclone II FPGA board. To make an improvement, we not only added an additional control mode i.e. key control mode, but also some other entertaining elements that the original game doesn't have. Thus our game could be controlled by both voice and keys. The game was originally designed to utilize both software and hardware resources. But after we found that the game control logic implemented by hardware is much faster than implementation by software, we substitute the hardware controlled logic for the software. The implementation details are described in the following sections.

## II. INTRODUCTION

After all available resources on earth have been depleted, our human beings have to find other planets which has similar environment like earth. For this purpose, the NASA decided to deploy the most advanced unpiloted aircraft—"Alpha" to the outer space to explore the next available planet for human beings to live. Thus, this most advanced space ship which is controlled by the supreme commander on earth begins its journey... As one would expect, Alpha would encounter many difficult situations in the space. To overcome this, Alpha is equipped with the most advanced missiles and laser. And it is controlled through the commander's voice instruction or the commander's key press. (Control the space ship's direction through saying "ahhh" and shoot through shout("pah") ). To refuel the aircraft, command center on earth will send the meteorite shaped packet to the plane. These packets will be marked by blue, red, and yellow colors which are corresponding to defense, strength, and weapons improvement respectively. With this background, our player will plays the role of the supreme commander to control the aircraft and starts the adventure.



When the game started, an animation scene will be displayed on the VGA screen. Besides, a list of choice will also be displayed through which the user could choose the mode under which they want to play. The player is provided with two modes: keyboard-control mode and voice-control mode. Obviously, if the keyboard-control mode was chosen, then the game is played by keyboard otherwise the game is played by voice. To make the game more interesting and energetic, we added some sound effect to the game.



Now suppose the user has started the game by choosing the voice-control mode we mentioned above, a spaceship will appear on the screen with dynamic animations. After that, some meteorites will be displayed on the screen. The player's task is to avoid colliding with these meteorites. To simulate the real situation in space, the positions of these meteorites will be randomly place on the screen and the number of these stones is intended to be four. To make the spaceship move up vertically, the user should make a sound so that the sound could be detected by the sensor of the board. And if the player wants to make the plane keep moving upward steadily, he should make his tone become higher. This is mainly because the 'up' movement of the spaceship is controlled by the tone. Apart from just avoiding, the user could shoot the stone by suddenly making his voice high which could generate a high frequency audio signal and will be captured by our FFT module. Thus the spaceship will fire correspondingly. So the player could play this game through these basic elements. In addition to these basic elements, the player will also have their status (i.e. scores, chance, time etc.)

recorded and displayed on the top of the screen. Besides, we also plan to add more entertainment elements to the game. Some stone will be marked by some special colors. For example, 3 of the regular meteorites are white, then the special one will randomly be red, yellow and blue. The blue one is corresponding to the invincibility, the red one is corresponding to one additional life to the player and the yellow is corresponding to upgrading the weapons to laser. The laser and invincible status will last for a specific time whose default value is 9 seconds. After this period of time, the spaceship will return to the normal status. When the player hit this special stone with bullet, the stone will be exploded. The explosion of the special meteorite will spawn some rewards (see figure 3 to the player. If the player got this reward by hit it with the body of the spaceship, then the ship's status(i.e. weapon, chance, time) will get improved.



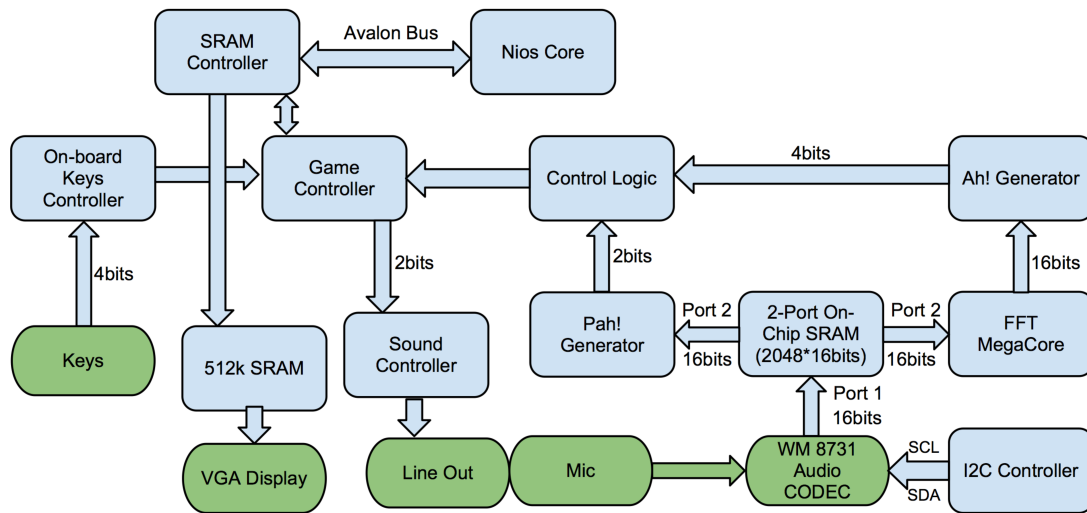
Above shows the reward after the red meteorite's exploration. If the player get his reward, it will get one more chance to play. It shows the reward which will be generated after the blue stone's exploration. After the player get this reward, the space ship will become invincible and surrounded by a red shield for about 9 seconds by default. Above shows the reward after the yellow stone's exploration. After the player getting this reward, the weapon of the aircraft will be improved to laser for 9 seconds.

After the player used up the chance, a game over scene will be displayed on the screen.

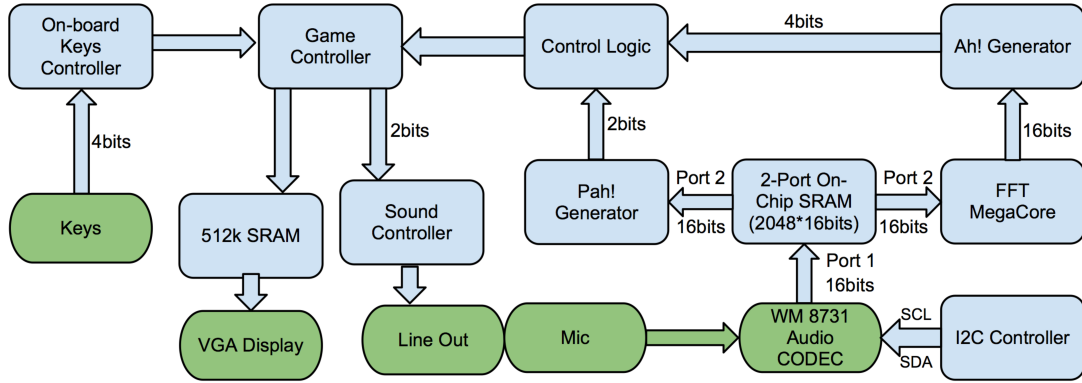


### III. ARCHITECTURE

At first, we implemented our design in the following way. In order to display background pictures, we use the sram in this design to store the huge volume of data. So we connect the sram to the Avalon bus. Then we use NIOS to write the pixel data of pictures into sram. Then the game control module will communicate with sram to fetch data needed. As we know, the sram has only one set of address and data port, but now they are connected to both Avalon bus and game control module, which is not applicable. In order to deal with this problem, we wrote another module to control the connection to sram port. Generally speaking, when the NIOS wants to write to sram, the address and data port of sram are connected to Avalon bus. Otherwise, the ports are connected to game control module.



Then when we integrate the game logic and FFT part, we found that the design could not work normally. Then we find the reason maybe that the NIOS system and FFT part use the same unknown logic or memory part in the same time, so the conflict results in the failure of function. Then we have to separate the NIOS system from the design. So at last, we have two projects. In the first one, we just need this project to write picture pixels into sram. The second project is the whole game project, which contains all the control logic.



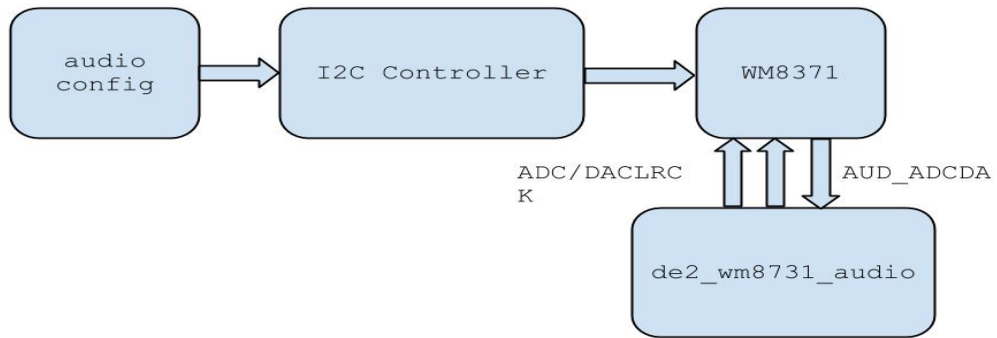
In this way, we write our control logic in VHDL. There are three reasons. First, it is faster for the control logic, because all the computation can be performed concurrently in one clock. Second, it is easier to write the logic for us. The reason is that the control logic needs the status of many signals. All the signals are mainly in the vga display part, such as the coordinates of items. We write the control logic in the vga module, which is in the game control module, so the signals do not need to be transferred between modules. Third, as we have introduced before, the NIOS cannot exist with FFT module concurrently in our design, we have to write the control logic in VHDL.

#### IV. AUDIO INPUT AND OUTPUT

##### A. Audio Input

We use the wolfson WM8731 audio CODEC to sample the voice at 8KHz, 16bit data. In order to control the audio chip, we need three main parts. One I2C controller, one configuration control part and one serial-to-parallel part.

The WM8731 is controlled by I2C protocol. We use the I2C controller to write data to the register of WM8731. In the configuration control part, we set the corresponding control word. The configuration sets the chip ADC and DAC sampling clock both at 8KHz, data length at 16bit. The data is transmitted in left justified mode and slave mode. Because it is in slave mode, we generate some clock signals fed to the control part, including mclk frequency at 12.5MHz, the ADC and DAC clock at 8KHz, the bclk clock at 108KHz. Then we convert the serial data to parallel. The obtained data is two's complement. The FFT mega function need data range from 0 to 65535, while the obtained data range from -32768 to -32767. So we invert the most significant bit to obtain the required data.



### B. Audio Output

In our design, WM8371 audio codec is used to play game music. There are three kinds of voice played at spacecraft launching missiles, game over, and obtain additional life and rewarding. All the three kinds of voice originate from three separate wav files. And they are stored in on-chip rom after processed by Matlab at the presence of three constant arrays, sound\_hit (0 to 4999) sound\_special (0 to 1930) and sound\_missile (0 to 3527). Initial samples in wav files are represented by floating points ranging from -1 to 1 while WM8371 can only decode 16 bit signed numbers. So we use matlab first to resample all the samples to 8KHz and then expand samples into 16 bit integers ranging from 0 to 65536 and finally assign these values to three arrays. The architecture of music playing is below.





When one of the three events happens, the `sound_on` signal is asserted and put the first element of an array on the data line. The controller waits for the `sound_done` signal to be pulled up WM8371 to indicate the end of consuming on sample. Then the sample counter increments and puts the next sample on the data line again. Finally, the counter reaches to the number of samples contained in that array and playing music thus ends.

It is worth-noticing that the MSB of 16 bit sample data is reversed.

The configuration of WM8371 for playing music is listed,

```
SET_LIN_L    : LUT_DATA <= 16'h001A;
SET_LIN_R    : LUT_DATA <= 16'h021A;
SET_HEAD_L   : LUT_DATA <= 16'h047B;
SET_HEAD_R   : LUT_DATA <= 16'h067B;
A_PATH_CTRL  : LUT_DATA <= 16'h08F4;
D_PATH_CTRL  : LUT_DATA <= 16'h0A06;
POWER_ON     : LUT_DATA <= 16'h0C00;
SET_FORMAT   : LUT_DATA <= 16'h0E01;
SAMPLE_CTRL  : LUT_DATA <= 16'h100c;
SET_ACTIVE   : LUT_DATA <= 16'h1201;
```

## V. VOICE PROCESSING CONTROLLER:

### A. *Pah! Generator:*

The Pah! generator is basically an amplitude detector. When the amplitude of input in the time domain is above a very large threshold, it will pull 1 bit `clear_screen` bit high. When the amplitude of input in the time domain is between the large threshold and second large threshold, it will generate one 1 bit missile bit. When it is below the second large threshold, it will pull the `clear_screen` and missile bit to 0. The pseudo code for this part is as below:

```
If (amplitude > large threshold)
```

```
    clear_screen <= 1;
```

```
else if (amplitude > second threshold)
```

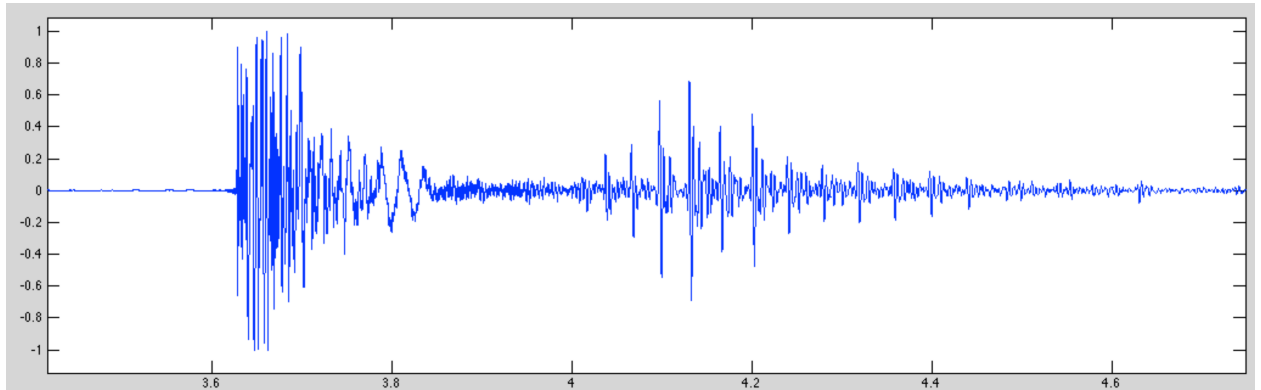
```
    missile <= 1;
```

```
else
```

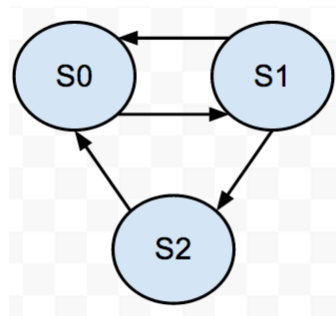
```
    clear_screen <= 0;
```

```
    missile <= 0;
```

In terms of human voice, the amplitude is always in a form of vibration as shown in the following figure.

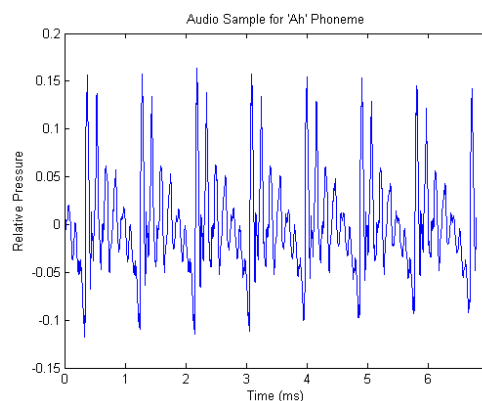


The final realization of our Pah! Generator is a Moore state machine with the following state transition graph with three states. S0 is the initial state. When 1024s zeros is detected by the MIC it enters state S1. Here the zeros are when the amplitude of sound is smaller than our noise threshold. In S1, when a certain number of large amplitude of sound is detected, it enters S2 otherwise it returns to S0. In S2, it generates a Pah! signal for a certain amount of time and then goes back to S0.

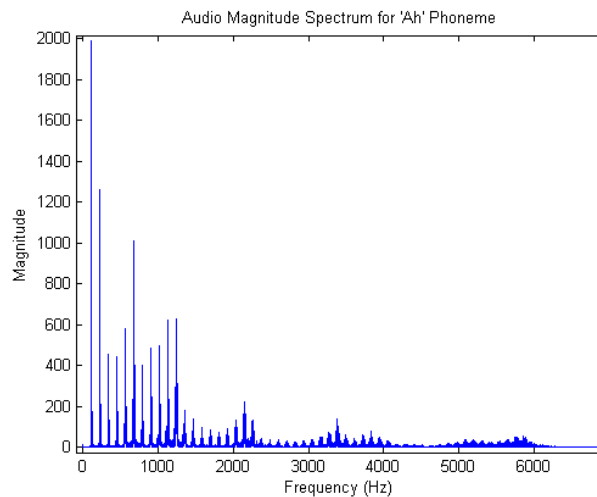


### B. Ah! Generator:

The function of this block is to compare the fundamental frequency of the voice received. The audio sample of the sound of 'Ah' is showed in the following figure.



The FFT output of the signal is the showed in the following figure.

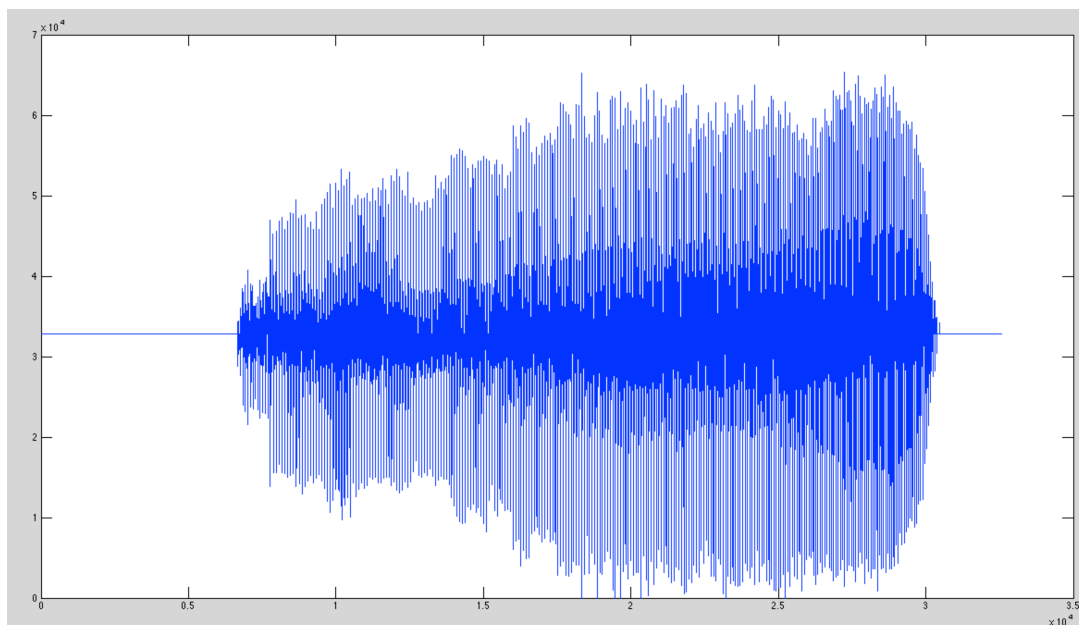


We can see from the figure that there will be a frequency component that has the largest amplitude in spectrum. We use this frequency as the fundamental frequency. And will be stored and compared with the fundamental frequency of the previous time period. Since different people have different fundamental frequency, we only use the difference across time.

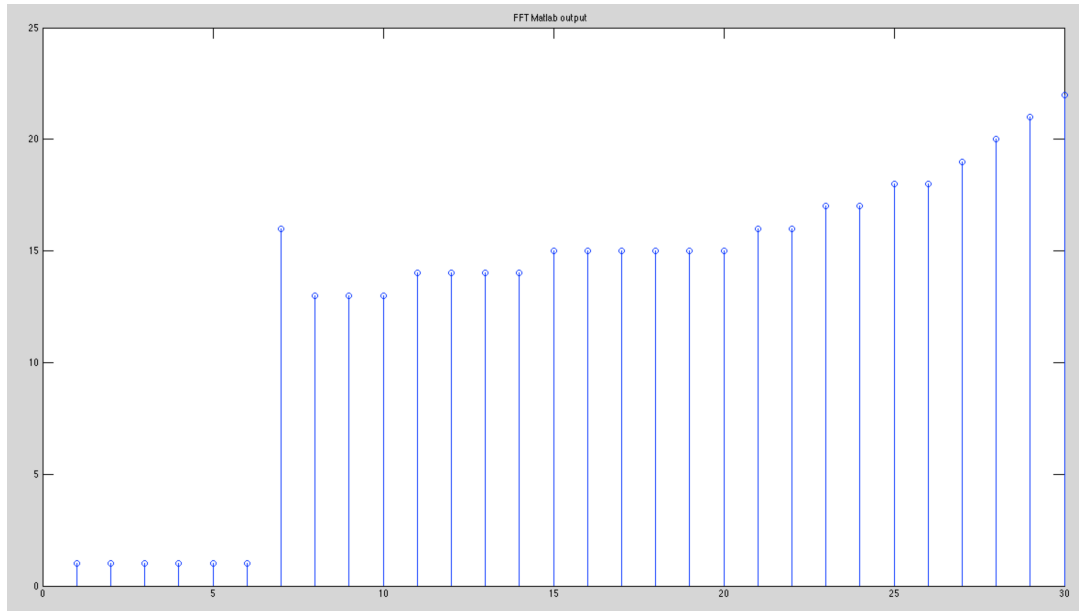
There would be a certain threshold of magnitude of fundamental frequency. If the magnitude is too small, this frequency component will be discarded. Also, since there will be some tremble of human voice in small scale if want to hold our pitch when pronouncing 'Ah', there should be a threshold to arbitrate the 'stable' of fundamental frequency.

The logic will have 2-bit output. One bit represents the rising of fundamental frequency and the other bit represents the fundamental frequency is 'stable'.

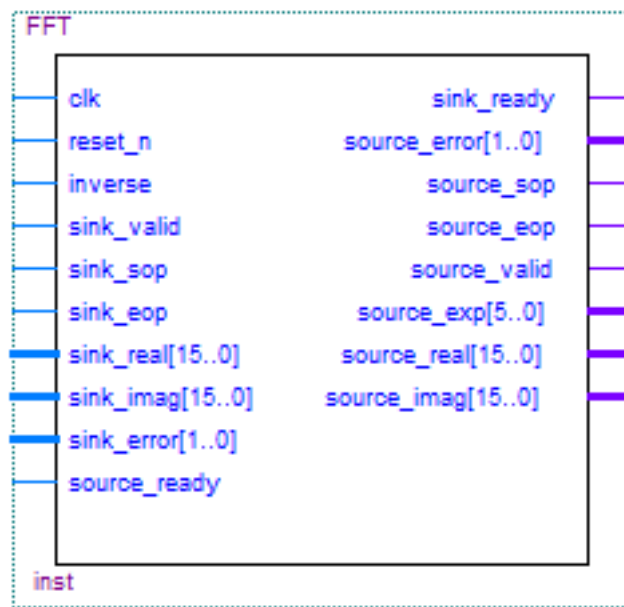
The Ah sound with a rising pitch in time domain is shown in the following figure:



After applying a 1024-point FFT we can get the change of fundamental frequency over time as what was shown in the following figure. There is a output controller of the Ah generator which would make the first 6 flits of data as invalid and also ignore the glitch on the 7th data.



### C. FFT Megafunction:



We use the FFT IP core in Quartus. The IP core uses the N complex vector in the time domain as the input, and outputs the complex vector in the frequency domain in the natural order. The inputs include 1 bit clk, 1bit reset\_n signal, 1bit inverse bit to determine the order of output, 1 bit sink valid to determine the valid bit of the input, 1 bit start of packet signal, 1bit

end of packet signal, one 16 bits real part of signal, one 16 bits imaginary part of signal, 2 bit error control bit, and 1 bit source ready signal. The output is very similar with the input. 1bit ready signal, 2 bit error control bit, 1 bit sop and 1bit eop. 1 bit valid signal, 6 bits source\_exp, 16 bits real part of output and 16 bits imaginary part of the output.

We use a Moore State Machine as the controller of the FFT IP core. We use only the data from MIC as the real input of FFT and set the imag input of FFT as all zeros. The output of the FFT IP core consists of both the real part and the imag part. We use the approximation of the following code:

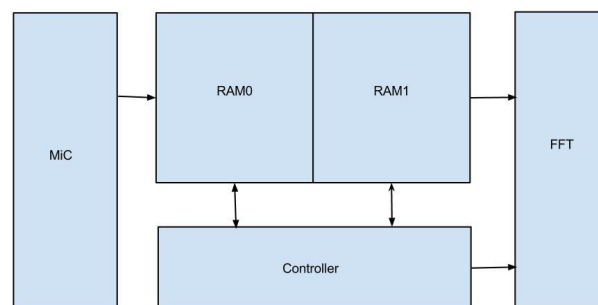
```

if (realAbs > imagAbs) then
    power_out <= realAbs + ('0' & imagAbs (15 downto 1));
else
    power_out <= imagAbs + ('0' & realAbs (15 downto 1));
end if

```

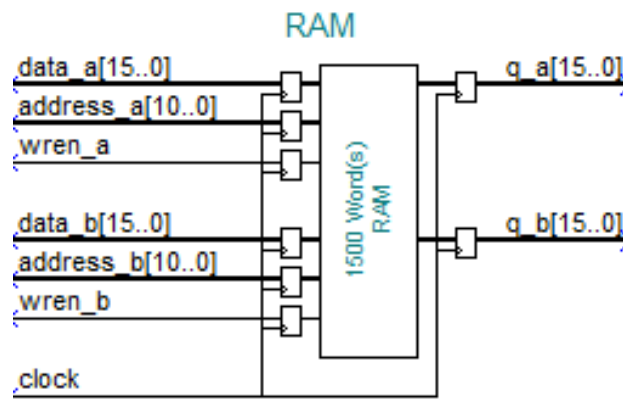
#### D. On chip memory allocation:

The memory between MIC and FFT module mainly consists of two blocks. One is two synchronous RAMs with 10 bit address and 16 bit width and the other is memory controller for bridging the RAMs to both MIC and FFT module and performing Ping-Pong operation. We configure the depth of RAM to 1024 in order to support burst transmission to FFT since FFT requires both start and end signals to be asserted during one transmission, which is inefficient. And the reason why we use two RAMs is to avoid throttle the write operation into RAM when read operation is about to be performed. The scenario is when the MIC has written 1024 chunks of data into RAM, it can write data into the other RAM while FFT is fetching data from the one it just write. Memory controller is coordinating this process. Block diagram of this sub-module is shown as the following figure,



Using off-chip SRAM worked in principle, but it became increasingly difficult to

arbitrate reading and writing. In addition, SRAM suffers from the inconvenience of setting up write enable and address a cycle before performing data operations. So we settled on, then, was to use dedicated on-chip storage elements via the two-port RAM Megafunction. This method enjoys the benefits of both previous methods, without their shortcomings. Specifically, the RAM Megafunction handles arbitration, so that the designer can read and write at the same time, but does not use up valuable logic elements.



In order to deal with the asynchronous problem caused by different speed of MIC and FFT, a counter is used to generate one clock cycle write enable signal even though the data is valid during multiple clock cycles. Obviously, the clock frequency of the RAM should be identical to that of the faster device.

## VI. VIDEO PROCESSING

### A. Image storage

Generally speaking, we store the small pictures in VHDL, which is stored in the on-chip memory. This is easy to use these pictures data matrix. The method is to write a "0&1" matrix. "0" means that this pixel does not need to be displayed. Otherwise, this pixel needed to be displayed. For the background pictures, they are very big and the on chip memory is not big enough. So we have to store the pixel data in sram. At first, we processed the images with Matlab. We then get the color map, which are the RGB values of 16 colors. And we got another matrix of color data, which is corresponding to color map. In this way, each pixel is 4 bits, because it is corresponding to the choice of 16 different colors. However, the NIOS can write an IO in 8 bits one time. So in order to make use of the storage efficiently, we write 2 pixels together. For example, the first data is 1, which is "0001" and the second data is 2, which is "0010". So the combination of them is "00010010". Then the data for these two

pixels is 18. So one piece of background image is 640\*480 pixels, it is  $640*480/2/1024 = 150\text{KB}$ . We have three background images, the beginning, game background and end background. So the total volume needed is 450KB. It is enough for sram.

### B. VGA display

Generally, it acts in the same way of Lab3. In the game logic control module, the corresponding signals are processed and the VGA display part will display items according to these control signals.

## VII. GAME LOGIC

As we have introduced before, we write our control logic in VHDL. Because we are designing a hit game, it is the judgment of whether items are hit or not. And another issue to deal with is the movement. The movement is controlled by key or voice processed by other modules. So we can see that 2 signals for each item in this game are enough. First, the coordinate of the item is responsible for where this specific item should be displayed in screen. Second, an enable signal for whether this item should be displayed at this time is needed. For example, if the spaceship needs to move up and down, we just need to change the coordinate of this spaceship. If the spaceship hit an meteorolite, we need to change the enable signal from '1' to '0'.

Another two problem needs to be considered. First, as we have introduced before, two pixels are written as one number in the sram and the sram is accessed with 16 bits at one time. So we can fetch 4 pixel data at one time. In the game logic module, we need to change the data fetching address per 4 pixels and a counter is respond for the change of address. After the data is fetch, the data needs to be processed separately because the data is the information of 4 pixels actually. The corresponding relationship is list below.

counter	10	11	00	01
data bits	15 downto 12	11 downto 8	7 downto 4	3 downto 0
pixel	pixel 3	pixel 4	pixel 1	pixel 2

Second, as we need to obtain a vivid effect of flying in the universe, we need to make the game background move. This is solved by changing the fetching address horizontally. However, at first, we change the address when a counter reaching some certain value, which means a certain length of time. This would cause a problem, because if the address changes

when the display counter is in the middle of the screen, the screen will sway. Then we changed the time of changing the address, which is the time when the counter is out of screen. In this way, the screen display is stable.

## VIII. CONCLUSION

In this project, we implement a voice controlled video game in the DE2 board. We learned how to use the Avalon bus, build the nios system, display image in the VGA screen, handle peripheral like WM8731, use mega function like FFT processing module, do the human voice recognizing. We also have fun in this big project. Hope you also have fun in this interesting game.

Thank you for the instruction of Professor Edwards and all the TAs. The tip and suggestion work very well.

## IX. APPENDIX

### Source Code:

lab3\_audio.vhd

```
-- DE2 top-level module that includes the simple audio component
--
-- Stephen A. Edwards, Columbia University, sedwards@cs.columbia.edu
--
-- From an original by Terasic Technology, Inc.
-- (DE2_TOP.v, part of the DE2 system board CD supplied by Altera)
--

library IEEE;
use IEEE.std_logic_1164.all;
use IEEE.numeric_std.all;

entity lab3_audio is
```



```

port (
  -- Clocks

  CLOCK_27,                                -- 27 MHz
  CLOCK_50,                                -- 50 MHz
  EXT_CLOCK : in std_logic;                -- External Clock

  -- Buttons and switches

  KEY : in std_logic_vector(3 downto 0);   -- Push buttons
  SW : in std_logic_vector(17 downto 0);   -- DPDT switches

  -- LED displays

  HEX0, HEX1, HEX2, HEX3, HEX4, HEX5, HEX6, HEX7 -- 7-segment displays
    : out std_logic_vector(6 downto 0);
  LEDG : out std_logic_vector(8 downto 0);   -- Green LEDs
  LEDR : out std_logic_vector(17 downto 0); -- Red LEDs

  -- RS-232 interface

  UART_TXD : out std_logic;                -- UART transmitter
  UART_RXD : in std_logic;                -- UART receiver

  -- IRDA interface

  -- IRDA_TXD : out std_logic;              -- IRDA Transmitter
  IRDA_RXD : in std_logic;                -- IRDA Receiver

  -- SDRAM

  DRAM_DQ : inout std_logic_vector(15 downto 0); -- Data Bus
  DRAM_ADDR : out std_logic_vector(11 downto 0); -- Address Bus

```

```
DRAM_LDQM,                -- Low-byte Data Mask
DRAM_UDQM,                -- High-byte Data Mask
DRAM_WE_N,                -- Write Enable
DRAM_CAS_N,               -- Column Address Strobe
DRAM_RAS_N,               -- Row Address Strobe
DRAM_CS_N,                -- Chip Select
DRAM_BA_0,                -- Bank Address 0
DRAM_BA_1,                -- Bank Address 0
DRAM_CLK,                 -- Clock
DRAM_CKE : out std_logic; -- Clock Enable
```

-- FLASH

```
FL_DQ : inout std_logic_vector(7 downto 0); -- Data bus
FL_ADDR : out std_logic_vector(21 downto 0); -- Address bus
FL_WE_N,                -- Write Enable
FL_RST_N,               -- Reset
FL_OE_N,                -- Output Enable
FL_CE_N : out std_logic; -- Chip Enable
```

-- SRAM

```
SRAM_DQ : inout std_logic_vector(15 downto 0); -- Data bus 16 Bits
SRAM_ADDR : out std_logic_vector(17 downto 0); -- Address bus 18 Bits
SRAM_UB_N,                -- High-byte Data Mask
SRAM_LB_N,                -- Low-byte Data Mask
SRAM_WE_N,                -- Write Enable
SRAM_CE_N,                -- Chip Enable
SRAM_OE_N : out std_logic; -- Output Enable
```

-- USB controller

```
OTG_DATA : inout std_logic_vector(15 downto 0); -- Data bus
```



```

TCK,                -- CPLD -> FPGA (clk)
TCS : in std_logic; -- CPLD -> FPGA (CS)
TDO : out std_logic; -- FPGA -> CPLD (data out)

-- I2C bus

I2C_SDAT : inout std_logic; -- I2C Data
I2C_SCLK : out std_logic;   -- I2C Clock

-- PS/2 port

PS2_DAT,            -- Data
PS2_CLK : in std_logic; -- Clock

-- VGA output

VGA_CLK,                -- Clock
VGA_HS,                 -- H_SYNC
VGA_VS,                 -- V_SYNC
VGA_BLANK,              -- BLANK
VGA_SYNC : out std_logic; -- SYNC
VGA_R,                  -- Red[9:0]
VGA_G,                  -- Green[9:0]
VGA_B : out std_logic_vector(9 downto 0); -- Blue[9:0]

-- Ethernet Interface

ENET_DATA : inout std_logic_vector(15 downto 0); -- DATA bus 16Bits
ENET_CMD,  -- Command/Data Select, 0 = Command, 1 = Data
ENET_CS_N, -- Chip Select
ENET_WR_N, -- Write
ENET_RD_N, -- Read
ENET_RST_N, -- Reset

```

```

ENET_CLK : out std_logic;           -- Clock 25 MHz
ENET_INT : in std_logic;           -- Interrupt

-- Audio CODEC

AUD_ADCLRCK : inout std_logic;     -- ADC LR Clock
AUD_ADCDAT : in std_logic;         -- ADC Data
AUD_DACLK : inout std_logic;       -- DAC LR Clock
AUD_DACDAT : out std_logic;        -- DAC Data
AUD_BCLK : inout std_logic;        -- Bit-Stream Clock
AUD_XCK : out std_logic;           -- Chip Clock

-- Video Decoder

TD_DATA : in std_logic_vector(7 downto 0); -- Data bus 8 bits
TD_HS,                                     -- H_SYNC
TD_VS : in std_logic;                   -- V_SYNC
TD_RESET : out std_logic;               -- Reset

-- General-purpose I/O

GPIO_0,                                     -- GPIO Connection 0
GPIO_1 : inout std_logic_vector(35 downto 0) -- GPIO Connection 1
);

end lab3_audio;

architecture datapath of lab3_audio is

component de2_wm8731_audio is
port (
clk : in std_logic;           -- Audio CODEC Chip Clock AUD_XCK
reset_n : in std_logic;

```

```

test_mode : in std_logic;          -- Audio CODEC controller test mode
audio_request : out std_logic;     -- Audio controller request new data
data : in std_logic_vector(15 downto 0);
data_out : out std_logic_vector(15 downto 0);
enable : out std_logic;
--done : out std_logic;
-- addr : out std_logic_vector(10 downto 0);
-- Audio interface signals
AUD_ADCLRCK : out std_logic;       -- Audio CODEC ADC LR Clock
AUD_ADCDAT : in std_logic;         -- Audio CODEC ADC Data
AUD_DACLK : out std_logic;         -- Audio CODEC DAC LR Clock
AUD_DACDAT : out std_logic;        -- Audio CODEC DAC Data
AUD_BCLK : inout std_logic         -- Audio CODEC Bit-Stream Clock
);
end component;

```

component de2\_i2c\_av\_config is

```

port (
    iCLK : in std_logic;
    iRST_N : in std_logic;
    I2C_SCLK : out std_logic;
    I2C_SDAT : inout std_logic
);
end component;

```

component VR is

```

port (
    clk_sample : in std_logic;
    clk_fft : in std_logic;
    reset : in std_logic;
    wren : in std_logic;
    data_in : in std_logic_vector ( 15 downto 0 );
    address_in : in std_logic_vector ( 10 downto 0 );

```

```

        down_slow      : out std_logic;
        up_slow        : out std_logic;
        hold           : out std_logic;
        ah_valid       : buffer std_logic;
        pah            : out std_logic
    );
end component;

component test_clk is
    port(
        clk:in std_logic;
        data_out:out std_logic_vector(10 downto 0)
    );
end component;

signal audio_clock : unsigned(1 downto 0) := "00";
signal audio_request : std_logic;
    signal test_data :std_logic_vector(15 downto 0);
    signal audio_wren : std_logic;
signal audio_address: std_logic_vector(10 downto 0);
signal VGA_DQ : std_logic_vector(15 downto 0);
signal VGA_ADDR: std_logic_vector(17 downto 0);
signal reset_n : std_logic := '0';
signal counter : unsigned(15 downto 0);
SIGNAL pll_c1: STD_LOGIC;
signal down : std_logic:= '0';
    signal up : std_logic:= '0';
        signal pah : std_logic:= '0';
            signal hold : std_logic:= '0';
signal sound_data : std_logic_vector(15 downto 0);
begin

    process (CLOCK_50)

```

```

begin
    if rising_edge(CLOCK_50) then
        audio_clock <= audio_clock + "1";
    end if;
--   if (key(0) = '1') then
--
----    LEDR(10 downto 0) <=audio_address;
--    LEDR(15 downto 0) <=test_data;
--
--   end if;
end process;

process (CLOCK_50)
begin
    --if rising_edge(CLOCK_50) then
    --   clk25 <= not clk25;
    --end if;

    if counter = x"ffff" then
        reset_n <= '1';
    else
        reset_n <= '0';
        counter <= counter + 1;
    end if;
end process;

AUD_XCK <= audio_clock(1);

i2c : de2_i2c_av_config port map (
    iCLK      => CLOCK_50,
    iRST_n    => '1',
    I2C_SCLK => I2C_SCLK,
    I2C_SDAT => I2C_SDAT
);

```



```

V1: de2_wm8731_audio port map (
    clk => audio_clock(1),
    reset_n => '1',
    test_mode => '0',
    audio_request => audio_request,
    data => sound_data,
        data_out(15 downto 0) => test_data,
        enable=> audio_wren,
--    addr=> audio_address,
    -- Audio interface signalsunsigned
    AUD_ADCLRCK  => AUD_ADCLRCK,
    AUD_ADCDAT   => AUD_ADCDAT,
    AUD_DACLK    => AUD_DACLK,
    AUD_DACDAT   => AUD_DACDAT,
    AUD_BCLK     => AUD_BCLK
);

V2:    VR port map(
        clk_sample  => AUD_ADCLRCK,
        clk_fft     => CLOCK_50,
        reset       => not key(1),
        wren        => audio_wren,
        data_in     => test_data,
--        data_in    => "0000000000000000",
        address_in  => audio_address,
        down_slow   => down,
        up_slow     => up,
        hold        => hold,
--        ah_valid   => LEDG(3),
        pah         => pah
    );
--ledG(0)<= done;

```

```
ledG(7)<= down;
ledG(6)<= up;
ledG(5)<= hold;
ledG(4)<= pah;
V4: test_clk
port map(
    clk=>AUD_ADCLRCK,
    data_out=>audio_address
);
```

```
V5: entity work.de2_vga_raster port map (
    down=>down,
    up=>up,
    hold=>hold,
    pah=>pah,
    key=>key,
    reset_n => '1',
    clk => CLOCK_50,
    VGA_CLK => VGA_CLK,
    VGA_HS => VGA_HS,
    VGA_VS => VGA_VS,
    VGA_BLANK => VGA_BLANK,
    VGA_SYNC => VGA_SYNC,
    VGA_R => VGA_R,
    VGA_G => VGA_G,
    VGA_B => VGA_B,
    VGA_DQ => VGA_DQ,
    VGA_ADDR => VGA_ADDR,
    sound_data => sound_data,
    sound_done => audio_request
);
```

```
-- V6: entity work.sdram_pll port map (
--   inclk0=>CLOCK_50,
```

```

-- c0=>DRAM_CLK,
-- c1=> pll_c1
-- );
-- V7: entity work.nios_system port map (
-- reset_n => reset_n,
-- clk_0 => pll_c1,
-- zs_addr_from_the_sdram_0=> DRAM_ADDR,
-- zs_ba_from_the_sdram_0(0) => DRAM_BA_0,
-- zs_ba_from_the_sdram_0(1) => DRAM_BA_1,
-- zs_cas_n_from_the_sdram_0 => DRAM_CAS_N,
-- zs_cke_from_the_sdram_0 => DRAM_CKE,
-- zs_cs_n_from_the_sdram_0 => DRAM_CS_N,
-- zs_dq_to_and_from_the_sdram_0 => DRAM_DQ,
-- zs_dqm_from_the_sdram_0(0) => DRAM_LDQM,
-- zs_dqm_from_the_sdram_0(1) => DRAM_UDQM,
-- zs_ras_n_from_the_sdram_0 => DRAM_RAS_N,
-- zs_we_n_from_the_sdram_0 => DRAM_WE_N,
-- SRAM_ADDR_from_the_sram_con => SRAM_ADDR,
-- SRAM_CE_N_from_the_sram_con => SRAM_CE_N,
-- SRAM_DQ_to_and_from_the_sram_con => SRAM_DQ,
-- SRAM_LB_N_from_the_sram_con => SRAM_LB_N,
-- SRAM_OE_N_from_the_sram_con => SRAM_OE_N,
-- SRAM_UB_N_from_the_sram_con => SRAM_UB_N,
-- SRAM_WE_N_from_the_sram_con => SRAM_WE_N,
-- VGA_ADDR_to_the_sram_con => VGA_ADDR,
-- --VGA_ADDR_to_the_sram_con => "100101100000000000",
-- VGA_DQ_from_the_sram_con => VGA_DQ
-- );
process(VGA_ADDR)
begin
    SRAM_ADDR <= VGA_ADDR;
    VGA_DQ <= SRAM_DQ;
end process;

```

```

SRAM_CE_N <= '0';
SRAM_OE_N <= '0';

HEX7    <= "0001001"; -- Leftmost
HEX6    <= "0000110";
HEX5    <= "1000111";
HEX4    <= "1000111";
HEX3    <= "1000000";
HEX2    <= (others => '1');
HEX1    <= (others => '1');
HEX0    <= (others => '1');           -- Rightmost
--LEDG   <= (others => '0');
--LEDR   <= (others => '0');
LCD_ON   <= '1';
LCD_BLON <= '1';
LCD_RW   <= '1';
LCD_EN   <= '0';
LCD_RS   <= '0';

-- VGA_CLK <= '0';
-- VGA_HS <= '0';
-- VGA_VS <= '0';
-- VGA_BLANK <= '0';
-- VGA_SYNC <= '0';
-- VGA_R <= (others => '0');
-- VGA_G <= (others => '0');
-- VGA_B <= (others => '0');

SD_DAT3 <= '1';
SD_CMD <= '1';
SD_CLK <= '1';

-- SRAM_DQ <= (others => 'Z');

```

```
-- SRAM_ADDR <= (others => '0');
   SRAM_UB_N <= '0';
   SRAM_LB_N <= '0';
-- SRAM_CE_N <= '1';
   SRAM_WE_N <= '1';
-- SRAM_OE_N <= '1';

   UART_TXD <= '0';
-- DRAM_ADDR <= (others => '0');
-- DRAM_LDQM <= '0';
-- DRAM_UDQM <= '0';
-- DRAM_WE_N <= '1';
-- DRAM_CAS_N <= '1';
-- DRAM_RAS_N <= '1';
-- DRAM_CS_N <= '1';
-- DRAM_BA_0 <= '0';
-- DRAM_BA_1 <= '0';
-- DRAM_CLK <= '0';
-- DRAM_CKE <= '0';

   FL_ADDR <= (others => '0');
   FL_WE_N <= '1';
   FL_RST_N <= '0';
   FL_OE_N <= '1';
   FL_CE_N <= '1';
   OTG_ADDR <= (others => '0');
   OTG_CS_N <= '1';
   OTG_RD_N <= '1';
   OTG_RD_N <= '1';
   OTG_WR_N <= '1';
   OTG_RST_N <= '1';
   OTG_FSPEED <= '1';
   OTG_LSPEED <= '1';
   OTG_DACK0_N <= '1';
```

```
OTG_DACK1_N <= '1';

TDO <= '0';

ENET_CMD <= '0';
ENET_CS_N <= '1';
ENET_WR_N <= '1';
ENET_RD_N <= '1';
ENET_RST_N <= '1';
ENET_CLK <= '0';

TD_RESET <= '0';

-- Set all bidirectional ports to tri-state
--DRAM_DQ      <= (others => 'Z');
FL_DQ         <= (others => 'Z');
OTG_DATA      <= (others => 'Z');
LCD_DATA      <= (others => 'Z');
SD_DAT        <= 'Z';
ENET_DATA     <= (others => 'Z');
GPIO_0        <= (others => 'Z');
GPIO_1        <= (others => 'Z');

end datapath;
```

de2\_vga\_raster.vhd

```
library ieee;
use ieee.std_logic_1164.all;
use ieee.numeric_std.all;
USE ieee.std_logic_unsigned.all;
--use ieee.std_logic_arith.all;
```

```
entity de2_vga_raster is
```

```
port (
```

```
    down: in std_logic;
```

```
    up: in std_logic;
```

```
    pah: in std_logic;
```

```
    hold: in std_logic;
```

```
    reset_n : in std_logic;
```

```
    clk      : in std_logic;           -- Should be 25.125 MHz
```

```
key : in std_logic_vector(3 downto 0);
```

```
-- read      : in std_logic;
```

```
-- write     : in std_logic;
```

```
-- chipselect : in std_logic;
```

```
-- address   : in std_logic_vector(4 downto 0);
```

```
-- readdata  : out std_logic_vector(15 downto 0);
```

```
-- writedata : in std_logic_vector(15 downto 0);
```

```
VGA_CLK,           -- Clock
```

```
VGA_HS,           -- H_SYNC
```

```
VGA_VS,           -- V_SYNC
```

```
VGA_BLANK,        -- BLANK
```

```
VGA_SYNC : out std_logic; -- SYNC
```

```
VGA_R,           -- Red[9:0]
```

```
VGA_G,           -- Green[9:0]
```

```
VGA_B : out std_logic_vector(9 downto 0); -- Blue[9:0]
```

```
VGA_ADDR : out std_logic_vector(17 downto 0);
```

```
VGA_DQ : in std_logic_vector(15 downto 0);
```

```
sound_data : out std_logic_vector(15 downto 0);
```

```
sound_done : in std_logic
```

```
);
```

```
end de2_vga_raster;
```

architecture rtl of de2\_vga\_raster is

-- Video parameters

```
constant HTOTAL      : integer := 800;
constant HSYNC       : integer := 96;
constant HBACK_PORCH : integer := 48;
constant HACTIVE     : integer := 640;
constant HFRONT_PORCH : integer := 16;
```

```
constant VTOTAL      : integer := 525;
constant VSYNC       : integer := 2;
constant VBACK_PORCH : integer := 33;
constant VACTIVE     : integer := 480;
constant VFRONT_PORCH : integer := 10;
```

type background\_R\_dis is array ( 0 to 15) of std\_logic\_vector ( 0 to 7);

```
constant background_R_begin : background_R_dis := (
"00000100","00111001","00010111","10000010","00001011","00100100","01010110","110
10111","00001101","00010101","00100111","00001100","00111011","01111010","1010111
0","01010110"
);
```

type background\_G\_dis is array ( 0 to 15) of std\_logic\_vector ( 0 to 7);

```
constant background_G_begin : background_G_dis := (
"00000111","01000111","00011100","10001111","00010010","00101110","01100011","110
10111","00001000","00010011","00100000","00001100","00110011","01101110","1010000
0","01001100"
);
```

type background\_B\_dis is array ( 0 to 15) of std\_logic\_vector ( 0 to 7);

```
constant background_B_begin : background_B_dis := (
```



```

"00001000","01010001","00011110","10011011","00010100","00110011","01101110","110
10101","00000100","00001111","00011001","00001011","00101110","01101000","1001011
1","01000110"
);
type intro_R_dis is array ( 0 to 15) of std_logic_vector ( 0 to 7);
constant intro_R_begin : intro_R_dis := (
"00001001","10010110","11101000","01001110","11110111","00011010","11000100","011
00001","00101010","11110101","10010100","01110011","11101100","00100010","1010100
0","11011110"
);
type intro_G_dis is array ( 0 to 15) of std_logic_vector ( 0 to 7);
constant intro_G_begin : intro_G_dis := (
"00000101","01011100","10101010","00110011","11100100","01110001","01111110","100
10000","00011011","11010100","10010010","01001001","11101110","00100010","0111001
0","10001101"
);
type intro_B_dis is array ( 0 to 15) of std_logic_vector ( 0 to 7);
constant intro_B_begin : intro_B_dis := (
"00000000","00000001","00000001","00000010","01101001","10010101","00000000","100
01010","00000000","00000100","10001101","00000001","11100111","00100000","0000001
0","00000000"
);
type end_R_dis is array ( 0 to 15) of std_logic_vector ( 0 to 7);
constant end_R_begin : end_R_dis := (
"00000000","01111011","00001111","11001010","01111100","01110100","11110110","110
01010","01100011","00101100","00001000","11101001","11110100","00111001","1000101
1","11111011"
);
type end_G_dis is array ( 0 to 15) of std_logic_vector ( 0 to 7);
constant end_G_begin : end_G_dis := (
"00000000","01101110","01110001","11001010","10010110","01000010","10111101","011
11000","10111000","01000010","00001001","10011001","11110010","10010010","1101001
1","11011110"

```



30323,34007,35957,35574,31263,30386,29625,34659,36903,37245,  
30733,27973,26288,32881,37705,40559,32154,26469,23654,30387,  
42150,43185,36300,23424,23761,27712,42038,41966,39162,23104,  
23537,23487,40015,42660,41893,25516,24381,22567,37648,42169,  
44079,29949,23534,22254,33370,42597,43616,32794,22678,23176,  
28683,42646,42652,37943,22747,23357,26004,42018,42729,40723,  
23572,24127,22521,38557,42457,44270,29559,24241,22215,34924,  
42774,43205,30711,23039,21973,29557,42746,42760,36203,22922,  
22755,28225,44260,43939,40176,23396,23249,22715,40052,43328,  
42221,25158,22396,20585,36893,43271,42691,28721,22920,21483,  
34589,44933,44136,32580,22070,22295,30451,45621,44069,37284,  
21800,20864,25616,42334,44252,40579,23660,22138,22730,39811,  
44332,41383,27503,22251,23047,37451,44502,42618,30101,21323,  
22417,32244,45702,43801,35454,22011,22458,28836,44771,44425,  
38115,21497,21247,23254,41092,44796,39312,23696,20935,23216,  
40085,46148,43334,28537,20598,21142,36659,48214,45521,30828,  
18034,19714,30420,47614,47837,38148,19941,18168,25255,46003,  
46471,39623,20065,19227,21578,42598,46986,44061,26646,18756,  
20895,39646,49282,46548,31122,19100,19130,30717,46861,46676,  
37662,20808,17811,25682,44331,45511,39784,22731,20343,21956,  
40897,47203,45287,28259,19899,19959,38130,47324,46224,30886,  
19422,17810,30796,45011,47139,36537,22103,19464,27431,44600,  
45583,40195,23566,19508,22594,41837,45264,43826,25251,19477,  
20090,39681,46720,45651,30334,21550,19326,34372,43999,46573,  
35049,21525,18344,28152,43851,45177,39085,24128,20135,25151,  
43046,45623,43438,24102,19849,20336,40334,45350,44533,28346,  
21382,18682,36050,44069,48514,34788,23275,17679,29800,42486,  
46523,37293,23510,18384,24468,41761,46081,42473,24509,19325,  
21524,41545,44897,46511,28749,23052,18054,35780,42479,48314,  
33217,22634,15247,31192,41275,46723,36403,23956,17324,26648,  
42437,47367,42770,26471,19129,24130,41127,44852,43442,26726,  
19918,17493,35094,43169,48716,34300,21997,17283,31809,41672,  
47479,37034,24163,17106,27120,41792,48305,40424,25432,16858,

23429,40216,46901,44074,28397,21815,25027,29978,36288,39817,  
35232,28038,24910,30641,36018,39952,35151,30401,23283,31488,  
34940,40775,37208,32423,24209,31914,32170,38547,36864,31918,  
25802,26488,29764,41280,41500,37714,29959,19508,25573,29318,  
34484,40550,37206,30506,38298,29947,32774,31107,26382,28532,  
39852,36568,45602,35012,26645,22328,21705,28882,45547,43082,  
40415,30506,18525,25253,28363,33561,39914,36540,33180,39893,  
30282,34003,29988,25765,28417,38857,35977,45725,32784,25430,  
20295,22682,31101,47417,41290,39971,28936,20253,28581,31650,  
33985,39535,34233,31760,38694,29315,33336,28411,25292,29394,  
39865,37329,47073,31030,25995,19662,21367,31765,47926,41813,  
42048,28763,19998,27407,30863,33127,40027,34851,34941,39411,  
29926,32814,26746,23120,28738,38427,38331,47288,29918,26500,  
19600,22959,34128,48812,41634,41360,26517,21842,26775,31653,  
34032,40829,35493,35303,33641,27439,30095,28969,26418,32740,  
38399,38807,44066,30520,26909,20736,23260,33895,47042,43856,  
42419,27337,20599,22399,29171,34492,45384,38884,37507,32726,  
27893,28397,29870,28564,34436,38325,37122,40074,28154,24660,  
23748,27872,37078,45148,41135,39317,28243,24308,26120,30852,  
33479,41716,39669,39575,32371,25116,24174,26122,30338,39323,  
42851,40975,36951,25824,21998,21647,29486,40198,47020,41751,  
38699,26494,23465,25105,29346,33851,42581,40352,41830,32088,  
25286,23128,25691,30330,39796,43252,42049,35864,24328,20467,  
23416,31337,41294,46595,40352,35786,25670,22827,26008,30884,  
35410,44234,38172,37409,29125,24086,25520,29644,32603,41689,  
41467,39517,35111,23972,20820,25156,32182,43492,45712,38472,  
33338,24383,21366,26121,30743,36000,45237,39671,39210,32157,  
24161,23780,26764,31214,43812,41998,40426,33702,22896,20568,  
26570,29929,42059,43697,39442,36765,27204,23244,26375,28174,  
33594,44036,38916,40110,31349,23971,25146,27530,31231,43341,  
39149,38526,33289,24370,24144,29319,30091,41343,41509,37729,  
36475,26933,24650,25943,26336,35655,45272,39161,40263,28085,  
21671,25181,28457,34604,44311,38568,38556,31668,23989,25999,

29150,30005,42214,38912,38115,36475,26481,26141,26723,26267,  
36595,41752,38528,39603,28473,24621,27187,27320,34377,42960,  
36969,38166,30479,24675,27647,35846,36159,36331,31119,30108,  
28837,30735,33137,34887,34494,34559,34084,31708,31523,30590,  
30500,30262,32278,33641,37743,34869,33509,30101,33171,27143,  
32225,32832,33683,29109,34189,33857,36467,39449,38866,28841,  
28274,25958,26222,27807,36323,35684,35296,38251,38604,32911,  
29424,25024,20402,25439,36517,43757,44689,44014,34431,23721,  
22620,26453,28091,33101,38304,37814,36539,39105,34303,27052,  
25259,25370,26810,35809,42778,40039,34417,32514,28816,26356,  
32083,33519,31040,32739,34194,33933,37302,39663,34235,27741,  
27376,27085,28787,33438,37035,35140,36848,38597,35608,31188,  
28570,23262,22374,31605,39716,42121,42970,38630,27976,22416,  
24801,27301,31482,37897,38010,37295,36216,37737,31157,27776,  
26760,26968,28379,39876,40882,37114,35075,30775,24745,29499,  
31947,31741,30702,34754,34359,35642,39820,38108,28092,25820,  
26113,24659,32834,41178,38602,37603,37612,31852,28841,28527,  
28988,27649,28619,35774,39781,39746,40517,32723,23452,23192,  
25960,28126,36742,40143,38054,35025,33239,30662,29414,29698,  
32002,31310,33439,39255,39464,36470,36881,28905,21632,27952,  
30528,30742,36242,36427,35497,36458,37381,35056,27320,24604,  
24970,25667,37569,45764,42754,40938,37030,26042,24091,25635,  
24792,28576,35339,40907,45074,42633,38587,25741,17958,21418,  
27886,33982,45228,41981,37352,34672,32272,28355,29146,26653,  
28558,29591,37759,42336,41898,37609,33113,20487,23610,28233,  
29962,34907,40157,38585,40667,41338,36289,27235,21147,20365,  
22673,31001,44198,46093,41475,39099,28170,22066,24235,27006,  
26137,32606,37445,42386,44838,45549,34805,22587,16718,20536,  
23851,37631,46738,43461,38491,35230,27413,25683,26998,26252,  
25964,32974,42389,45550,43246,37273,24279,15703,21760,30227,  
34809,41945,41001,36231,34734,37082,32673,28333,24785,22611,  
24064,38427,46832,46862,39435,33180,20345,21534,27741,30984,  
29441,35249,34155,38498,43461,43983,30318,23452,20191,22414,

30785,45667,46044,39987,34440,30547,24377,29185,31233,27301,  
28689,35998,39948,41842,41785,33090,19885,17960,25717,30881,  
41228,47484,41704,34961,35909,31113,27167,25988,24412,20803,  
30563,42544,47179,43697,40020,26785,18432,23935,29316,30049,  
37363,40396,37136,39551,42354,32605,24327,21241,19991,21923,  
36011,47604,44336,39432,34667,23156,22836,29919,30910,29744,  
38306,40069,39667,40817,38663,25043,19097,19671,29793,35730,  
41593,40655,34225,27089,26412,25164,31810,33008,33310,32782,  
36201,39631,40042,35379,30937,24222,24373,30061,34419,37057,  
36727,32192,30373,32799,33500,33797,32010,29271,28211,31492,  
35220,39774,36070,31528,22384,22996,35063,37738,38133,40246,  
40996,41156,31199,28723,26033,19675,17011,20290,36958,49780,  
52543,50364,40787,34863,23821,16257,22502,24455,26520,26908,  
34397,44455,40687,37985,33597,31522,34567,30376,32935,36674,  
32870,27039,24398,34634,37090,35601,36525,34159,36824,34195,  
29873,31188,26592,24507,19009,25760,38301,39420,41166,44767,  
44772,41985,29592,26358,20378,17067,17777,23513,39684,49132,  
47127,41846,35879,35433,24705,22281,26142,25081,26688,28576,  
38109,46298,41615,36725,30625,31442,31704,26413,31116,30996,  
27833,24203,27596,37550,38530,36925,36474,36228,41246,35454,  
32567,31500,24738,19324,18516,32513,40925,38800,41857,40616,  
39833,34629,26617,24160,20816,20950,22324,30788,48310,48305,  
44006,40305,37048,32330,25046,24352,24832,22752,25442,26176,  
37028,45201,43195,38946,37211,39307,33816,26821,31490,26015,  
22367,22232,29674,40723,42334,41910,37360,37087,38043,26727,  
25757,26766,22432,18784,23271,42183,47306,47394,48361,42386,  
40522,30515,20177,20596,19386,22070,22180,32823,46675,43741,  
41172,38771,36932,35246,26071,27669,26744,26555,24565,24389,  
38047,43698,40768,39328,38881,42936,30801,26360,26997,23091,  
20465,16234,26525,40854,42482,44670,41261,46677,40253,25401,  
25031,23652,21371,18662,25219,42443,43735,43886,39356,36475,  
37775,25962,22617,26623,28183,26551,22253,36748,45674,42803,  
42845,38886,40283,32656,22528,24372,23531,24969,20601,25109,

41082,41133,39670,38681,42839,43414,31001,29677,28994,25163,  
21763,18948,32452,41644,42305,41549,40829,44179,34057,21739,  
22821,21051,20957,18812,30611,46301,47732,47418,42775,41746,  
39076,24443,21997,22907,23149,20631,22331,37365,43941,44819,  
43219,40419,42573,33749,26184,24976,23723,22725,17128,26347,  
40809,42666,43158,42615,45096,41329,29246,26308,23794,21985,  
17801,17697,32597,42033,42628,43246,43823,46925,35712,27817,  
27127,22874,21653,18976,30226,44825,43187,43790,36064,35809,  
30606,17209,21568,21796,24623,22839,28277,48292,48147,48112,  
45481,45267,47895,33243,28271,19675,17732,17858,16821,24436,  
27620,30722,32166,39684,43795,37761,37536,38847,39285,38643,  
34881,31703,27780,28744,27896,27119,28361,29475,23871,27561,  
35287,33531,34343,34637,43321,47615,45379,42924,28461,26108,  
22062,19358,25692,25464,28809,25928,34835,44035,38473,40153,  
36016,39133,39382,35196,36795,27283,26581,21562,20249,29889,  
29826,33762,34156,40974,42806,35354,35273,36135,36856,32853,  
29116,29169,28151,30246,29584,29567,29603,29112,26253,32599,  
40907,39018,35791,35259,41649,41196,37778,36037,24709,24048,  
22430,24849,28749,28546,30166,25143,35780,43442,36997,39678,  
39059,44384,42658,38609,37293,24428,22065,17983,15636,22305,  
24124,29056,31688,41377,45491,39952,42579,43128,42562,38071,  
34327,32154,26845,25969,26058,23269,24742,24203,20921,30406,  
39187,38382,37225,39876,47385,42951,40154,37141,28127,27864,  
25356,27733,27942,26295,26201,21815,33917,36202,32609,38431,  
42568,47036,43687,41507,36284,23894,24706,23282,20491,23629,  
24614,26084,29603,40057,41205,37272,44825,46581,43842,38114,  
34109,28063,22392,26127,25685,21943,26290,25663,26556,37015,  
43377,40350,38952,43509,46332,39545,36437,30355,19332,19494,  
24543,28398,28083,27544,27955,28933,39711,40290,39219,43982,  
47395,48481,42797,40319,31466,19540,18736,18228,16889,19528,  
21956,25963,32896,43463,42229,41917,47486,47907,44814,40815,  
38832,29638,23156,25307,23248,19182,20136,21656,25101,34781,  
40569,40403,42265,47164,45988,39347,36515,32015,23567,25952,

29983,30358,26959,26537,24189,23552,33315,34244,35305,41142,  
47538,50298,45711,44271,31472,19646,19213,20882,21725,23438,  
25862,26793,32842,41640,40922,40865,44821,46140,41455,38651,  
37312,28545,22321,21794,20980,18023,21421,24888,27621,39451,  
45527,44885,46356,48346,46052,36618,33406,27800,21285,24252,  
28610,28267,26080,24465,23341,24780,37095,38339,39124,45364,  
50288,50228,45045,40823,27743,17197,18363,19022,19811,22777,  
26028,26138,33599,42609,43164,42647,46102,46908,43148,42230,  
37336,26759,22426,22012,20014,18037,21640,24448,25399,37196,  
42088,41471,43998,46203,45032,39340,38782,32780,29233,33124,  
33870,28018,23170,19729,16409,18613,30109,33329,35166,44125,  
50058,51469,47611,40517,26872,18397,22180,24929,25144,31738,  
34402,34233,33999,34811,34680,32273,34463,33013,31440,31935,  
30315,31309,27601,29108,25933,27631,32630,35485,37798,38527,  
38808,38065,38939,41175,37953,33240,25856,23745,26294,28501,  
29512,23674,20476,20173,20471,27816,39707,43333,46168,51592,  
53528,51023,44776,34676,29506,20252,16214,19734,22010,26323,  
25643,25929,25220,28272,28137,36320,46890,46569,48013,45655,  
42389,40288,37133,35928,31334,24198,19347,21161,22949,24852,  
26726,27115,29780,32527,31279,40326,41881,40934,43431,43585,  
41365,33581,32298,30307,32361,24865,23878,29235,29728,33996,  
35848,34945,29245,19465,18168,28759,37366,37473,40324,42847,  
39789,38334,37233,40426,40411,28165,28269,29098,31122,29449,  
26047,24045,20851,19328,19664,35509,40994,42568,42814,42574,  
42857,41533,42507,44174,39783,26185,21485,21541,23092,24663,  
23233,19266,19811,18900,29171,40473,44237,48475,47969,48421,  
46178,47167,40599,34250,25141,15094,20340,21100,27731,29204,  
27623,24258,22149,23947,34706,39873,40064,43224,44859,43566,  
41715,40340,36649,36324,26577,24702,28327,28431,26663,25306,  
27646,24950,24528,25949,38909,41234,39660,42238,41034,41326,  
37465,36954,35409,34321,24402,23509,28571,34579,34472,33820,  
32243,29217,23522,22105,32311,32726,37992,40164,45484,45338,  
42059,40278,36768,35163,26034,24922,24606,27835,28304,26743,



24322,22144,21798,27804,39979,44369,46400,41952,41361,40551,  
41816,39987,39386,33735,25736,26094,25330,27269,23108,21760,  
18515,20357,22405,32300,39661,42472,47329,47395,48447,46221,  
44505,41426,37700,26072,17916,17337,20858,23955,24339,25645,  
24286,25357,26858,39683,42471,43246,42639,42143,46016,43917,  
42637,37756,34835,26063,25485,26574,27434,25174,19723,19494,  
21696,23803,27278,38092,40460,42741,40457,42114,45365,44957,  
42528,40684,37461,27821,28392,27073,30879,28087,24740,22354,  
21454,22486,24103,31523,31547,37307,36763,41454,46329,46822,  
45202,44450,39358,32279,31391,28516,29055,25195,22325,17416,  
18030,17337,26342,34901,38653,43702,41536,44514,44114,44307,  
41819,42964,35677,30037,29092,25680,27927,22257,21086,17919,  
20244,22172,32724,37457,39822,43449,40675,44039,45386,43987,  
41779,40717,28875,24443,22811,23657,23822,21662,22988,26251,  
30986,33636,35932,35174,38233,37075,34108,36089,34713,31430,  
28740,29270,30497,33014,34570,38289,34428,29403,27859,29161,  
32531,34002,33627,30716,31198,28337,28221,29017,35943,33605,  
29617,31671,33223,35759,35708,39762,38176,37441,38837,41696,  
41990,33316,32123,29460,29626,26852,26305,28357,27385,22663,  
22204,24309,26610,36313,41008,43416,38027,35487,33340,34549,  
35391,36664,37144,37126,41718,37156,30462,32092,29692,26788,  
27182,30872,32380,31171,31458,32037,27078,24118,30491,31242,  
30368,33181,32601,35746,36493,36911,39950,43519,43171,41288,  
37688,30505,32279,28740,30788,29225,24028,22712,23438,24862,  
24968,25085,26389,38935,39943,39292,37882,38047,35117,33379,  
34275,36262,38521,37398,42823,36116,27205,25822,26846,29832,  
30464,32578,30573,30771,28416,28516,28166,28946,33290,30534,  
31249,33134,35271,36391,38818,36381,35223,38929,44293,42731,  
36601,30610,31510,28759,27961,28480,25506,22228,19597,21367,  
23084,26758,32263,42122,43632,39312,35774,35784,38539,36890,  
35979,36848,38819,36458,37056,33630,29597,28455,27078,31171,  
31380,31562,29373,28925,26511,24034,22726,28757,38577,35238,  
35177,35244,38312,37245,38165,39801,42105,43999,44067,45495,

35510,32317,31481,30191,28757,24685,20617,19144,20235,17786,  
19037,23216,32594,41340,41777,41307,41969,41055,41916,43441,  
43618,43230,42295,39322,36374,26918,21620,25005,25160,23713,  
24689,26462,27000,25583,23446,22309,23860,30055,38533,38411,  
37354,38848,39914,40877,43720,45324,45824,48084,43901,38578,  
29142,27877,28002,26265,23962,20690,14812,11379,17004,20072,  
24159,30035,38943,43207,42053,42163,42494,43809,42040,42153,  
43021,44528,45472,42304,37476,24960,19645,20315,23292,24482,  
24802,24538,23921,22821,22416,22607,27295,38025,40961,38586,  
40104,42274,42154,43422,44435,42296,39594,40643,41776,37402,  
28081,29044,26593,24468,25383,22981,20624,21462,22059,22517,  
24444,27628,37255,40586,39386,41522,39879,41377,43098,42378,  
40957,42411,40267,37858,33195,23121,24686,22548,24834,28036,  
28834,27154,27676,26175,24157,24747,27510,40380,41370,37577,  
38842,38766,39342,41018,41242,39770,39854,37110,36442,31909,  
27157,28893,27542,26749,25749,22058,20645,26616,27753,30335,  
30763,35744,35169,33285,36232,35225,36623,34144,34690,34370,  
35828,41013,36289,33702,27973,24749,25073,24298,33779,33526,  
36577,30822,22171,23178,23605,41465,43177,47136,36555,26444,  
28193,26371,41614,39465,42290,33926,28085,28591,24825,37737,  
35556,39747,29161,22906,23835,21376,35759,36657,40340,32747,  
25924,30942,29130,41479,38715,40853,33922,27182,28785,27501,  
43054,42679,42676,32020,21509,26388,25333,40859,39004,41491,  
31083,20870,21931,19432,34389,35098,43693,35319,25166,26761,  
27756,43763,42724,46890,39640,30551,31619,28597,39321,34246,  
36947,28462,20076,20890,20432,34200,33418,39364,31037,23652,  
26291,28807,43291,38872,43174,34781,27908,28373,28442,43006,  
40230,46480,34947,25407,22419,23843,39540,36532,40995,30406,  
21749,20922,22248,36839,36063,42525,35934,27193,24884,23667,  
39351,38667,45355,36423,28260,28997,30076,43960,38146,40108,  
32823,24637,21963,19148,33578,31758,37666,31958,26808,26151,  
27260,42600,38248,39946,29745,25620,25225,26489,40457,38413,  
44487,37693,30930,28009,28203,40812,35936,41640,33167,27879,

22278,19705,33157,30293,40649,35997,33176,28870,27432,40690,  
37715,44067,35782,32867,25861,25342,37083,33874,41060,31496,  
29190,23477,25043,36444,35581,43956,37349,35739,30253,31145,  
39960,38186,43439,31074,27552,21041,22531,33821,32811,36152,  
26391,27267,22101,25469,38387,40408,48543,37372,35854,28152,  
28275,38483,38780,45460,34650,32241,22702,23172,29227,29225,  
39063,29008,29673,22709,24257,36795,38097,45029,34551,33391,  
25063,27888,36038,37696,46412,35097,35211,26480,27246,36239,  
37970,46798,33185,27914,18627,21913,30321,32113,41590,29328,  
31959,25332,29029,37568,38193,46563,32723,32399,23048,29240,  
37345,38580,45419,29736,30848,22730,27771,34552,35338,44552,  
30081,30744,22285,28564,35780,37847,43710,27665,29805,21572,  
28831,36592,36435,43219,29677,32315,23826,31546,40235,41976,  
46756,31664,30861,20276,28943,35420,35917,41722,25225,26449,  
19709,26057,34569,36458,44002,31904,34602,25421,35404,39772,  
39289,43858,27177,28088,19940,28629,36441,37431,42986,28959,  
29438,22311,32847,39627,40872,46134,29844,30128,20289,26022,  
33585,34803,39282,25227,28095,22466,33426,40713,40143,43376,  
30236,32887,25185,35130,42832,40581,43091,26848,25676,17131,  
28720,34826,35034,37212,23603,29730,30039,34303,30743,32341,  
35105,34448,40307,34437,37949,34023,32360,30925,28356,31742,  
26660,34437,32252,33142,35826,33675,33452,25719,29655,27103,  
32536,38349,36104,37738,32721,33027,26344,30202,30722,28572,  
44072,40811,41942,38989,36232,26032,23506,25384,17986,31084,  
35737,39154,39023,35980,29702,23858,31765,28899,36402,43616,  
39410,38745,34718,30165,23346,29124,26503,26097,37924,36788,  
40577,41477,39099,27908,26600,28811,23709,35289,37158,37681,  
36057,32915,24364,18689,25626,22918,33568,41160,39319,41762,  
40798,37987,29169,33198,27997,28308,39319,37757,38942,36154,  
33627,20101,18520,21728,20670,35812,38258,41108,38696,36524,  
30579,26237,32633,28094,37116,41594,38120,39069,37846,36500,  
26566,33026,26298,26059,38043,37709,40103,34529,32218,18152,  
19095,22226,20320,33404,35721,40177,40213,40274,32575,30836,

36396,31502,40598,43660,38596,38548,36442,30689,22311,25824,  
21313,20582,30440,31182,35706,39050,37910,25220,26024,27078,  
27251,41540,44323,44686,42052,38355,26922,25683,30639,29193,  
37804,40682,34366,33359,35211,30622,26215,30423,23867,22800,  
34354,34508,36077,38281,34597,22445,23492,26307,27539,44997,  
50718,48095,46696,41865,28727,27742,30894,26466,31920,35406,  
29499,29122,30329,24571,19877,25819,22846,25476,40820,43066,  
44668,48165,40675,27167,28674,28942,28805,42779,46331,41896,  
39501,33542,19433,19864,25168,22800,29940,35805,31552,34047,  
38745,32171,27522,31384,26420,28408,42236,43427,44134,46285,  
38624,24525,25645,22455,22761,37409,42700,39962,39302,35268,  
22138,24253,27056,24889,33000,38941,35920,37377,40614,31568,  
27602,30436,24416,26795,40575,40782,42067,45449,37387,24700,  
25418,23587,22968,37503,42735,41006,40966,36354,22977,22408,  
26360,23193,30460,38208,34592,37237,40976,32095,27789,30438,  
25988,30299,44349,44640,44959,46588,36544,22918,23493,20196,  
20609,32761,36549,36494,38153,34459,22827,24901,26485,25121,  
36222,45220,43887,44782,44230,31868,26140,28592,24509,29409,  
40011,38078,37178,38775,30227,20152,23094,20734,21782,35240,  
40498,41690,44615,39890,26225,25975,26943,26576,36457,44017,  
42025,42312,42046,31599,25244,26673,23454,27733,36299,35923,  
36924,38052,32917,22767,24136,22705,26975,33151,36526,39937,  
40192,38825,35129,34762,32253,31726,35347,34206,33345,33050,  
30930,27537,28378,31398,29601,33859,36013,36298,31822,27565,  
25851,24261,25638,27526,37287,41394,42972,44615,45608,34040,  
25260,27829,25159,23669,30251,40330,39256,39388,37102,34078,  
26388,20966,23171,26880,28619,30760,40980,40156,40533,38601,  
41640,31874,23926,27761,26066,29610,32068,43742,40548,38122,  
34727,33172,32419,25216,29514,28529,26103,23320,33364,36947,  
36572,39637,41489,34194,26847,28435,27851,28267,29939,35651,  
35764,39876,40137,43173,40972,30357,26398,22218,21501,17940,  
31799,38930,39452,39925,37730,33239,22845,26778,27132,31722,  
32261,39215,44083,41650,40919,38607,36134,22354,20954,22693,

25539,27771,36061,41730,36027,34761,33325,34225,30025,31713,  
32166,32306,28867,31296,37978,37670,36207,37397,39359,29018,  
26771,26502,28096,25561,28413,35200,34871,39575,39809,44400,  
35518,30859,27022,24403,23451,25869,37278,38072,41211,39248,  
38275,31345,23875,24755,26176,27539,31604,41304,42782,39356,  
39282,39402,31003,22781,23118,25044,24438,29996,37643,40455,  
39167,37069,37148,32231,26478,25859,32248,32809,31537,39952,  
39445,35833,34679,39027,34424,26385,27874,26537,27438,25488,  
34122,36766,35747,35512,36579,39704,29634,29480,32029,30833,  
26283,32422,39806,36371,38501,40342,39040,30436,24295,24613,  
25018,25476,33307,40088,41712,37524,39142,37640,28136,24396,  
24890,25919,22307,32090,39724,40628,41278,40869,40647,29181,  
23841,24292,29357,27970,32516,42372,40334,38035,36335,39162,  
29661,24459,25861,24667,24925,29474,40638,40160,37576,34536,  
36150,31387,26228,30434,33677,31025,30277,37481,36789,35532,  
35848,39144,32101,24780,24425,28291,28702,29910,39839,39771,  
38003,33685,39566,33616,26706,27932,27913,26765,24205,37970,  
39348,40102,39465,42290,36136,23348,24822,26860,29202,28772,  
39145,40947,36231,34413,36856,32708,22363,23818,27770,28002,  
28259,39793,43516,39063,35005,37968,34277,25460,28789,32179,  
34189,30182,36081,36916,32552,30584,33420,35981,23958,25665,  
28126,30163,28070,37377,42871,38670,37628,37502,39444,29964,  
30118,28570,26510,21946,27022,38102,37814,39050,39081,41287,  
27457,22862,25994,28937,28652,35308,42310,38958,37073,34616,  
36818,27780,25036,24323,29517,28430,32935,43531,40826,36701,  
32176,36188,25801,25997,30733,35550,39024,34652,32766,28435,  
26704,24184,29039,33511,29926,30563,34453,37551,36118,38510,  
38309,34024,32621,31435,30154,29392,32097,30768,29897,25791,  
27378,38217,40791,38176,39700,40308,35890,29688,23783,26954,  
27312,29082,29155,26371,30540,41941,41406,39885,37717,36490,  
39391,34179,25104,27849,28415,23139,22574,24984,26779,40265,  
43124,45398,43714,43481,41536,32890,21227,20564,23427,22991,  
22192,23954,32249,40973,39703,42696,42980,40167,40946,38281,

25591,26046,27189,26968,24707,23071,26867,38503,38010,38408,  
42197,40582,37152,32499,25444,24523,26499,29731,29625,27556,  
32102,43386,39945,40222,40016,38708,35721,29404,20462,22757,  
24712,23464,28880,26833,30503,43999,45841,43693,42382,43177,  
38247,31433,21392,25055,25107,23420,23698,22801,28125,37662,  
39778,41231,41122,39818,44476,39958,26100,27898,27969,23127,  
20865,20653,25968,40352,40939,44325,44643,40209,37994,32616,  
23540,22847,26293,26221,30057,25491,32495,42263,39116,38418,  
35539,34994,37191,36375,24479,28876,27891,26405,29070,25739,  
32037,42204,45052,43587,43130,37773,37356,29997,18984,21011,  
21610,25791,27408,26718,34060,47371,43305,43116,41428,36302,  
40037,33581,24551,26086,27589,25736,28858,24778,29025,40483,  
40616,39859,36938,36371,37456,31349,21289,25575,25900,27002,  
33013,29516,37508,47639,47286,42145,35784,28472,33719,29120,  
16173,22158,24515,25668,27612,28381,35256,46783,49032,48091,  
43824,34818,36321,28970,18135,18545,23668,28329,29310,25532,  
33497,45612,40939,40551,37804,33218,37148,35537,24857,25084,  
27001,29216,30971,24713,32845,46192,47721,41653,38284,32755,  
32016,26745,18314,22049,22300,28924,33816,30311,38045,51301,  
49065,40531,35294,30857,36042,28616,18326,22663,24340,24979,  
30581,30914,36346,47794,50324,47154,38700,32983,35353,27124,  
15634,18921,22882,24606,28743,27667,38875,46194,45071,44942,  
41085,34032,38670,35186,21661,22941,23431,25452,27433,25724,  
39063,48512,47300,41439,38919,29807,29670,22531,16465,19201,  
22702,30944,37080,35379,45076,54188,48388,41024,37335,31643,  
33640,24307,18397,20308,19672,20151,29115,28065,37597,47509,  
48349,45960,41797,38828,39361,29401,19731,22742,20803,22435,  
31106,33395,35949,36311,37866,37442,34858,27589,31768,32047,  
26382,27956,27603,28052,32916,35122,40408,45357,42593,40323,  
37710,28225,28036,28199,27537,22742,19192,25377,32696,33002,  
36378,37815,31248,28555,28255,34533,35559,36997,34335,35437,  
33948,37022,44292,44227,32737,31746,33208,28138,26731,23771,  
23362,22828,18559,27021,32614,34110,40447,40432,42259,46636,

47178,46951,42095,24653,27011,24220,19703,20856,21632,21664,  
27215,28530,41467,47233,46139,43773,38860,34020,36066,34094,  
31450,25923,18706,24784,29114,31705,36366,36751,32481,28653,  
29840,35512,35576,35880,30427,32310,33855,37234,40190,43025,  
34927,32553,31626,29778,29613,24674,22956,21806,18944,27444,  
35674,38156,42411,42576,43943,46710,41915,39911,36614,23247,  
21771,21681,22084,23230,23062,24415,29677,32321,45132,50761,  
46247,40269,36368,33953,34648,31344,31793,27496,19165,22524,  
28045,31836,33954,32573,30317,27773,30956,38549,39975,37592,  
33878,33102,34566,35602,38253,42212,33754,31156,32046,30758,  
31248,26108,23113,22327,20080,25994,33234,32370,36188,38085,  
40430,45816,45622,46391,45342,30389,29319,28934,26986,25006,  
21678,17072,20116,23520,37912,42222,39967,40817,41763,40883,  
42900,40938,41993,33338,20284,23569,25993,28600,31867,29526,  
27287,27629,32821,42009,38571,36286,35572,33611,32377,34396,  
37176,43626,33211,30693,32552,33052,33584,33116,27466,24289,  
19800,27335,33432,29729,34209,36742,38263,41457,41221,46226,  
44940,29470,29722,28494,25991,27100,24639,21467,23148,24973,  
40637,42899,39743,42474,41405,38886,39889,36717,39443,29677,  
17752,21595,22622,24546,31008,31033,29585,29239,34408,44311,  
41416,39770,39861,36754,34983,35147,35850,41222,30729,27764,  
29050,27418,28833,32038,28892,28423,23619,30297,33765,29277,  
32075,34952,35776,40465,41076,45764,47460,34208,35647,33470,  
28262,26836,24402,19351,20532,20205,33917,38269,37774,40041,  
40280,38746,41690,40114,43987,33859,23045,25000,25358,27175,  
31277,31147,30249,26332,29814,39679,38248,37892,36631,33411,  
33568,34872,37362,43052,30609,28868,30211,29213,32182,35244,  
33837,31825,24379,29667,33302,30294,31150,30975,29418,34336,  
36035,43716,45085,33817,34441,33387,29313,31007,30669,30542,  
30173,28634,32139,32437,32820,34120,33273,31531,32397,30650

);

--type sound\_explode is array ( 0 to 4999) of integer;

--constant sound\_explode\_begin : sound\_explode := (

--32768,32768,32768,32768,32768,32768,32768,32768,32768,32768,  
--32768,32768,32768,32768,32768,32768,32768,32768,32768,32768,  
--32768,32768,32768,32768,32768,32768,32768,32768,32768,32768,  
--32768,32768,32768,32768,32768,32768,32768,32768,32768,32768,  
--32768,32768,32768,32768,32768,32768,32768,32768,32768,32768,  
--32768,32768,32768,32768,32768,32768,32768,32768,32768,32768,  
--32768,32768,32768,32768,32768,32768,32768,32768,32768,32768,  
--32768,32768,32768,32768,32768,32768,32768,32768,32768,32768,  
--32768,32768,32768,32768,32768,32768,32768,32768,32768,32768,  
--32768,32768,32768,32768,32768,32768,32768,32768,32768,32768,  
--32768,32768,32768,32768,32768,32768,32768,32768,32768,32768,  
--32768,32768,32768,32768,32768,32768,32768,32768,32768,32768,  
--32768,32768,32768,32768,32768,32768,32768,32768,32768,32768,  
--32768,32768,32768,32768,32768,32768,32768,32768,32768,32768,  
--32768,32768,32768,32768,32768,32768,32768,32768,32768,32768,  
--32768,32767,32768,32767,32768,32767,32768,32767,32768,32768,32768,  
--32768,32767,32768,32767,32768,32768,32767,32767,32769,32769,  
--32769,32770,32769,32764,32766,32769,32767,32770,32763,32766,  
--32775,32774,32783,32781,32773,32744,32759,32776,32766,32782,  
--32724,32755,32817,32859,32818,32837,32801,32765,32806,32750,  
--32779,32728,32761,32816,32740,32738,32709,32719,32669,32819,  
--32644,32676,32644,32607,32804,32615,32698,32574,32649,32721,  
--32851,32506,32765,33966,34084,33505,33217,32400,32292,33559,  
--34541,33574,31785,30978,30452,32472,33861,33374,31065,30779,  
--30323,34007,35957,35574,31263,30386,29625,34659,36903,37245,  
--30733,27973,26288,32881,37705,40559,32154,26469,23654,30387,  
--42150,43185,36300,23424,23761,27712,42038,41966,39162,23104,  
--23537,23487,40015,42660,41893,25516,24381,22567,37648,42169,  
--44079,29949,23534,22254,33370,42597,43616,32794,22678,23176,  
--28683,42646,42652,37943,22747,23357,26004,42018,42729,40723,  
--23572,24127,22521,38557,42457,44270,29559,24241,22215,34924,  
--42774,43205,30711,23039,21973,29557,42746,42760,36203,22922,  
--22755,28225,44260,43939,40176,23396,23249,22715,40052,43328,



--42221,25158,22396,20585,36893,43271,42691,28721,22920,21483,  
--34589,44933,44136,32580,22070,22295,30451,45621,44069,37284,  
--21800,20864,25616,42334,44252,40579,23660,22138,22730,39811,  
--44332,41383,27503,22251,23047,37451,44502,42618,30101,21323,  
--22417,32244,45702,43801,35454,22011,22458,28836,44771,44425,  
--38115,21497,21247,23254,41092,44796,39312,23696,20935,23216,  
--40085,46148,43334,28537,20598,21142,36659,48214,45521,30828,  
--18034,19714,30420,47614,47837,38148,19941,18168,25255,46003,  
--46471,39623,20065,19227,21578,42598,46986,44061,26646,18756,  
--20895,39646,49282,46548,31122,19100,19130,30717,46861,46676,  
--37662,20808,17811,25682,44331,45511,39784,22731,20343,21956,  
--40897,47203,45287,28259,19899,19959,38130,47324,46224,30886,  
--19422,17810,30796,45011,47139,36537,22103,19464,27431,44600,  
--45583,40195,23566,19508,22594,41837,45264,43826,25251,19477,  
--20090,39681,46720,45651,30334,21550,19326,34372,43999,46573,  
--35049,21525,18344,28152,43851,45177,39085,24128,20135,25151,  
--43046,45623,43438,24102,19849,20336,40334,45350,44533,28346,  
--21382,18682,36050,44069,48514,34788,23275,17679,29800,42486,  
--46523,37293,23510,18384,24468,41761,46081,42473,24509,19325,  
--21524,41545,44897,46511,28749,23052,18054,35780,42479,48314,  
--33217,22634,15247,31192,41275,46723,36403,23956,17324,26648,  
--42437,47367,42770,26471,19129,24130,41127,44852,43442,26726,  
--19918,17493,35094,43169,48716,34300,21997,17283,31809,41672,  
--47479,37034,24163,17106,27120,41792,48305,40424,25432,16858,  
--23429,40216,46901,44074,28397,21815,25027,29978,36288,39817,  
--35232,28038,24910,30641,36018,39952,35151,30401,23283,31488,  
--34940,40775,37208,32423,24209,31914,32170,38547,36864,31918,  
--25802,26488,29764,41280,41500,37714,29959,19508,25573,29318,  
--34484,40550,37206,30506,38298,29947,32774,31107,26382,28532,  
--39852,36568,45602,35012,26645,22328,21705,28882,45547,43082,  
--40415,30506,18525,25253,28363,33561,39914,36540,33180,39893,  
--30282,34003,29988,25765,28417,38857,35977,45725,32784,25430,  
--20295,22682,31101,47417,41290,39971,28936,20253,28581,31650,

--33985,39535,34233,31760,38694,29315,33336,28411,25292,29394,  
--39865,37329,47073,31030,25995,19662,21367,31765,47926,41813,  
--42048,28763,19998,27407,30863,33127,40027,34851,34941,39411,  
--29926,32814,26746,23120,28738,38427,38331,47288,29918,26500,  
--19600,22959,34128,48812,41634,41360,26517,21842,26775,31653,  
--34032,40829,35493,35303,33641,27439,30095,28969,26418,32740,  
--38399,38807,44066,30520,26909,20736,23260,33895,47042,43856,  
--42419,27337,20599,22399,29171,34492,45384,38884,37507,32726,  
--27893,28397,29870,28564,34436,38325,37122,40074,28154,24660,  
--23748,27872,37078,45148,41135,39317,28243,24308,26120,30852,  
--33479,41716,39669,39575,32371,25116,24174,26122,30338,39323,  
--42851,40975,36951,25824,21998,21647,29486,40198,47020,41751,  
--38699,26494,23465,25105,29346,33851,42581,40352,41830,32088,  
--25286,23128,25691,30330,39796,43252,42049,35864,24328,20467,  
--23416,31337,41294,46595,40352,35786,25670,22827,26008,30884,  
--35410,44234,38172,37409,29125,24086,25520,29644,32603,41689,  
--41467,39517,35111,23972,20820,25156,32182,43492,45712,38472,  
--33338,24383,21366,26121,30743,36000,45237,39671,39210,32157,  
--24161,23780,26764,31214,43812,41998,40426,33702,22896,20568,  
--26570,29929,42059,43697,39442,36765,27204,23244,26375,28174,  
--33594,44036,38916,40110,31349,23971,25146,27530,31231,43341,  
--39149,38526,33289,24370,24144,29319,30091,41343,41509,37729,  
--36475,26933,24650,25943,26336,35655,45272,39161,40263,28085,  
--21671,25181,28457,34604,44311,38568,38556,31668,23989,25999,  
--29150,30005,42214,38912,38115,36475,26481,26141,26723,26267,  
--36595,41752,38528,39603,28473,24621,27187,27320,34377,42960,  
--36969,38166,30479,24675,27647,35846,36159,36331,31119,30108,  
--28837,30735,33137,34887,34494,34559,34084,31708,31523,30590,  
--30500,30262,32278,33641,37743,34869,33509,30101,33171,27143,  
--32225,32832,33683,29109,34189,33857,36467,39449,38866,28841,  
--28274,25958,26222,27807,36323,35684,35296,38251,38604,32911,  
--29424,25024,20402,25439,36517,43757,44689,44014,34431,23721,  
--22620,26453,28091,33101,38304,37814,36539,39105,34303,27052,

--25259,25370,26810,35809,42778,40039,34417,32514,28816,26356,  
--32083,33519,31040,32739,34194,33933,37302,39663,34235,27741,  
--27376,27085,28787,33438,37035,35140,36848,38597,35608,31188,  
--28570,23262,22374,31605,39716,42121,42970,38630,27976,22416,  
--24801,27301,31482,37897,38010,37295,36216,37737,31157,27776,  
--26760,26968,28379,39876,40882,37114,35075,30775,24745,29499,  
--31947,31741,30702,34754,34359,35642,39820,38108,28092,25820,  
--26113,24659,32834,41178,38602,37603,37612,31852,28841,28527,  
--28988,27649,28619,35774,39781,39746,40517,32723,23452,23192,  
--25960,28126,36742,40143,38054,35025,33239,30662,29414,29698,  
--32002,31310,33439,39255,39464,36470,36881,28905,21632,27952,  
--30528,30742,36242,36427,35497,36458,37381,35056,27320,24604,  
--24970,25667,37569,45764,42754,40938,37030,26042,24091,25635,  
--24792,28576,35339,40907,45074,42633,38587,25741,17958,21418,  
--27886,33982,45228,41981,37352,34672,32272,28355,29146,26653,  
--28558,29591,37759,42336,41898,37609,33113,20487,23610,28233,  
--29962,34907,40157,38585,40667,41338,36289,27235,21147,20365,  
--22673,31001,44198,46093,41475,39099,28170,22066,24235,27006,  
--26137,32606,37445,42386,44838,45549,34805,22587,16718,20536,  
--23851,37631,46738,43461,38491,35230,27413,25683,26998,26252,  
--25964,32974,42389,45550,43246,37273,24279,15703,21760,30227,  
--34809,41945,41001,36231,34734,37082,32673,28333,24785,22611,  
--24064,38427,46832,46862,39435,33180,20345,21534,27741,30984,  
--29441,35249,34155,38498,43461,43983,30318,23452,20191,22414,  
--30785,45667,46044,39987,34440,30547,24377,29185,31233,27301,  
--28689,35998,39948,41842,41785,33090,19885,17960,25717,30881,  
--41228,47484,41704,34961,35909,31113,27167,25988,24412,20803,  
--30563,42544,47179,43697,40020,26785,18432,23935,29316,30049,  
--37363,40396,37136,39551,42354,32605,24327,21241,19991,21923,  
--36011,47604,44336,39432,34667,23156,22836,29919,30910,29744,  
--38306,40069,39667,40817,38663,25043,19097,19671,29793,35730,  
--41593,40655,34225,27089,26412,25164,31810,33008,33310,32782,  
--36201,39631,40042,35379,30937,24222,24373,30061,34419,37057,

--36727,32192,30373,32799,33500,33797,32010,29271,28211,31492,  
--35220,39774,36070,31528,22384,22996,35063,37738,38133,40246,  
--40996,41156,31199,28723,26033,19675,17011,20290,36958,49780,  
--52543,50364,40787,34863,23821,16257,22502,24455,26520,26908,  
--34397,44455,40687,37985,33597,31522,34567,30376,32935,36674,  
--32870,27039,24398,34634,37090,35601,36525,34159,36824,34195,  
--29873,31188,26592,24507,19009,25760,38301,39420,41166,44767,  
--44772,41985,29592,26358,20378,17067,17777,23513,39684,49132,  
--47127,41846,35879,35433,24705,22281,26142,25081,26688,28576,  
--38109,46298,41615,36725,30625,31442,31704,26413,31116,30996,  
--27833,24203,27596,37550,38530,36925,36474,36228,41246,35454,  
--32567,31500,24738,19324,18516,32513,40925,38800,41857,40616,  
--39833,34629,26617,24160,20816,20950,22324,30788,48310,48305,  
--44006,40305,37048,32330,25046,24352,24832,22752,25442,26176,  
--37028,45201,43195,38946,37211,39307,33816,26821,31490,26015,  
--22367,22232,29674,40723,42334,41910,37360,37087,38043,26727,  
--25757,26766,22432,18784,23271,42183,47306,47394,48361,42386,  
--40522,30515,20177,20596,19386,22070,22180,32823,46675,43741,  
--41172,38771,36932,35246,26071,27669,26744,26555,24565,24389,  
--38047,43698,40768,39328,38881,42936,30801,26360,26997,23091,  
--20465,16234,26525,40854,42482,44670,41261,46677,40253,25401,  
--25031,23652,21371,18662,25219,42443,43735,43886,39356,36475,  
--37775,25962,22617,26623,28183,26551,22253,36748,45674,42803,  
--42845,38886,40283,32656,22528,24372,23531,24969,20601,25109,  
--41082,41133,39670,38681,42839,43414,31001,29677,28994,25163,  
--21763,18948,32452,41644,42305,41549,40829,44179,34057,21739,  
--22821,21051,20957,18812,30611,46301,47732,47418,42775,41746,  
--39076,24443,21997,22907,23149,20631,22331,37365,43941,44819,  
--43219,40419,42573,33749,26184,24976,23723,22725,17128,26347,  
--40809,42666,43158,42615,45096,41329,29246,26308,23794,21985,  
--17801,17697,32597,42033,42628,43246,43823,46925,35712,27817,  
--27127,22874,21653,18976,30226,44825,43187,43790,36064,35809,  
--30606,17209,21568,21796,24623,22839,28277,48292,48147,48112,

--45481,45267,47895,33243,28271,19675,17732,17858,16821,24436,  
--27620,30722,32166,39684,43795,37761,37536,38847,39285,38643,  
--34881,31703,27780,28744,27896,27119,28361,29475,23871,27561,  
--35287,33531,34343,34637,43321,47615,45379,42924,28461,26108,  
--22062,19358,25692,25464,28809,25928,34835,44035,38473,40153,  
--36016,39133,39382,35196,36795,27283,26581,21562,20249,29889,  
--29826,33762,34156,40974,42806,35354,35273,36135,36856,32853,  
--29116,29169,28151,30246,29584,29567,29603,29112,26253,32599,  
--40907,39018,35791,35259,41649,41196,37778,36037,24709,24048,  
--22430,24849,28749,28546,30166,25143,35780,43442,36997,39678,  
--39059,44384,42658,38609,37293,24428,22065,17983,15636,22305,  
--24124,29056,31688,41377,45491,39952,42579,43128,42562,38071,  
--34327,32154,26845,25969,26058,23269,24742,24203,20921,30406,  
--39187,38382,37225,39876,47385,42951,40154,37141,28127,27864,  
--25356,27733,27942,26295,26201,21815,33917,36202,32609,38431,  
--42568,47036,43687,41507,36284,23894,24706,23282,20491,23629,  
--24614,26084,29603,40057,41205,37272,44825,46581,43842,38114,  
--34109,28063,22392,26127,25685,21943,26290,25663,26556,37015,  
--43377,40350,38952,43509,46332,39545,36437,30355,19332,19494,  
--24543,28398,28083,27544,27955,28933,39711,40290,39219,43982,  
--47395,48481,42797,40319,31466,19540,18736,18228,16889,19528,  
--21956,25963,32896,43463,42229,41917,47486,47907,44814,40815,  
--38832,29638,23156,25307,23248,19182,20136,21656,25101,34781,  
--40569,40403,42265,47164,45988,39347,36515,32015,23567,25952,  
--29983,30358,26959,26537,24189,23552,33315,34244,35305,41142,  
--47538,50298,45711,44271,31472,19646,19213,20882,21725,23438,  
--25862,26793,32842,41640,40922,40865,44821,46140,41455,38651,  
--37312,28545,22321,21794,20980,18023,21421,24888,27621,39451,  
--45527,44885,46356,48346,46052,36618,33406,27800,21285,24252,  
--28610,28267,26080,24465,23341,24780,37095,38339,39124,45364,  
--50288,50228,45045,40823,27743,17197,18363,19022,19811,22777,  
--26028,26138,33599,42609,43164,42647,46102,46908,43148,42230,  
--37336,26759,22426,22012,20014,18037,21640,24448,25399,37196,

--42088,41471,43998,46203,45032,39340,38782,32780,29233,33124,  
--33870,28018,23170,19729,16409,18613,30109,33329,35166,44125,  
--50058,51469,47611,40517,26872,18397,22180,24929,25144,31738,  
--34402,34233,33999,34811,34680,32273,34463,33013,31440,31935,  
--30315,31309,27601,29108,25933,27631,32630,35485,37798,38527,  
--38808,38065,38939,41175,37953,33240,25856,23745,26294,28501,  
--29512,23674,20476,20173,20471,27816,39707,43333,46168,51592,  
--53528,51023,44776,34676,29506,20252,16214,19734,22010,26323,  
--25643,25929,25220,28272,28137,36320,46890,46569,48013,45655,  
--42389,40288,37133,35928,31334,24198,19347,21161,22949,24852,  
--26726,27115,29780,32527,31279,40326,41881,40934,43431,43585,  
--41365,33581,32298,30307,32361,24865,23878,29235,29728,33996,  
--35848,34945,29245,19465,18168,28759,37366,37473,40324,42847,  
--39789,38334,37233,40426,40411,28165,28269,29098,31122,29449,  
--26047,24045,20851,19328,19664,35509,40994,42568,42814,42574,  
--42857,41533,42507,44174,39783,26185,21485,21541,23092,24663,  
--23233,19266,19811,18900,29171,40473,44237,48475,47969,48421,  
--46178,47167,40599,34250,25141,15094,20340,21100,27731,29204,  
--27623,24258,22149,23947,34706,39873,40064,43224,44859,43566,  
--41715,40340,36649,36324,26577,24702,28327,28431,26663,25306,  
--27646,24950,24528,25949,38909,41234,39660,42238,41034,41326,  
--37465,36954,35409,34321,24402,23509,28571,34579,34472,33820,  
--32243,29217,23522,22105,32311,32726,37992,40164,45484,45338,  
--42059,40278,36768,35163,26034,24922,24606,27835,28304,26743,  
--24322,22144,21798,27804,39979,44369,46400,41952,41361,40551,  
--41816,39987,39386,33735,25736,26094,25330,27269,23108,21760,  
--18515,20357,22405,32300,39661,42472,47329,47395,48447,46221,  
--44505,41426,37700,26072,17916,17337,20858,23955,24339,25645,  
--24286,25357,26858,39683,42471,43246,42639,42143,46016,43917,  
--42637,37756,34835,26063,25485,26574,27434,25174,19723,19494,  
--21696,23803,27278,38092,40460,42741,40457,42114,45365,44957,  
--42528,40684,37461,27821,28392,27073,30879,28087,24740,22354,  
--21454,22486,24103,31523,31547,37307,36763,41454,46329,46822,

--45202,44450,39358,32279,31391,28516,29055,25195,22325,17416,  
--18030,17337,26342,34901,38653,43702,41536,44514,44114,44307,  
--41819,42964,35677,30037,29092,25680,27927,22257,21086,17919,  
--20244,22172,32724,37457,39822,43449,40675,44039,45386,43987,  
--41779,40717,28875,24443,22811,23657,23822,21662,22988,26251,  
--30986,33636,35932,35174,38233,37075,34108,36089,34713,31430,  
--28740,29270,30497,33014,34570,38289,34428,29403,27859,29161,  
--32531,34002,33627,30716,31198,28337,28221,29017,35943,33605,  
--29617,31671,33223,35759,35708,39762,38176,37441,38837,41696,  
--41990,33316,32123,29460,29626,26852,26305,28357,27385,22663,  
--22204,24309,26610,36313,41008,43416,38027,35487,33340,34549,  
--35391,36664,37144,37126,41718,37156,30462,32092,29692,26788,  
--27182,30872,32380,31171,31458,32037,27078,24118,30491,31242,  
--30368,33181,32601,35746,36493,36911,39950,43519,43171,41288,  
--37688,30505,32279,28740,30788,29225,24028,22712,23438,24862,  
--24968,25085,26389,38935,39943,39292,37882,38047,35117,33379,  
--34275,36262,38521,37398,42823,36116,27205,25822,26846,29832,  
--30464,32578,30573,30771,28416,28516,28166,28946,33290,30534,  
--31249,33134,35271,36391,38818,36381,35223,38929,44293,42731,  
--36601,30610,31510,28759,27961,28480,25506,22228,19597,21367,  
--23084,26758,32263,42122,43632,39312,35774,35784,38539,36890,  
--35979,36848,38819,36458,37056,33630,29597,28455,27078,31171,  
--31380,31562,29373,28925,26511,24034,22726,28757,38577,35238,  
--35177,35244,38312,37245,38165,39801,42105,43999,44067,45495,  
--35510,32317,31481,30191,28757,24685,20617,19144,20235,17786,  
--19037,23216,32594,41340,41777,41307,41969,41055,41916,43441,  
--43618,43230,42295,39322,36374,26918,21620,25005,25160,23713,  
--24689,26462,27000,25583,23446,22309,23860,30055,38533,38411,  
--37354,38848,39914,40877,43720,45324,45824,48084,43901,38578,  
--29142,27877,28002,26265,23962,20690,14812,11379,17004,20072,  
--24159,30035,38943,43207,42053,42163,42494,43809,42040,42153,  
--43021,44528,45472,42304,37476,24960,19645,20315,23292,24482,  
--24802,24538,23921,22821,22416,22607,27295,38025,40961,38586,

--40104,42274,42154,43422,44435,42296,39594,40643,41776,37402,  
--28081,29044,26593,24468,25383,22981,20624,21462,22059,22517,  
--24444,27628,37255,40586,39386,41522,39879,41377,43098,42378,  
--40957,42411,40267,37858,33195,23121,24686,22548,24834,28036,  
--28834,27154,27676,26175,24157,24747,27510,40380,41370,37577,  
--38842,38766,39342,41018,41242,39770,39854,37110,36442,31909,  
--27157,28893,27542,26749,25749,22058,20645,26616,27753,30335,  
--30763,35744,35169,33285,36232,35225,36623,34144,34690,34370,  
--35828,41013,36289,33702,27973,24749,25073,24298,33779,33526,  
--36577,30822,22171,23178,23605,41465,43177,47136,36555,26444,  
--28193,26371,41614,39465,42290,33926,28085,28591,24825,37737,  
--35556,39747,29161,22906,23835,21376,35759,36657,40340,32747,  
--25924,30942,29130,41479,38715,40853,33922,27182,28785,27501,  
--43054,42679,42676,32020,21509,26388,25333,40859,39004,41491,  
--31083,20870,21931,19432,34389,35098,43693,35319,25166,26761,  
--27756,43763,42724,46890,39640,30551,31619,28597,39321,34246,  
--36947,28462,20076,20890,20432,34200,33418,39364,31037,23652,  
--26291,28807,43291,38872,43174,34781,27908,28373,28442,43006,  
--40230,46480,34947,25407,22419,23843,39540,36532,40995,30406,  
--21749,20922,22248,36839,36063,42525,35934,27193,24884,23667,  
--39351,38667,45355,36423,28260,28997,30076,43960,38146,40108,  
--32823,24637,21963,19148,33578,31758,37666,31958,26808,26151,  
--27260,42600,38248,39946,29745,25620,25225,26489,40457,38413,  
--44487,37693,30930,28009,28203,40812,35936,41640,33167,27879,  
--22278,19705,33157,30293,40649,35997,33176,28870,27432,40690,  
--37715,44067,35782,32867,25861,25342,37083,33874,41060,31496,  
--29190,23477,25043,36444,35581,43956,37349,35739,30253,31145,  
--39960,38186,43439,31074,27552,21041,22531,33821,32811,36152,  
--26391,27267,22101,25469,38387,40408,48543,37372,35854,28152,  
--28275,38483,38780,45460,34650,32241,22702,23172,29227,29225,  
--39063,29008,29673,22709,24257,36795,38097,45029,34551,33391,  
--25063,27888,36038,37696,46412,35097,35211,26480,27246,36239,  
--37970,46798,33185,27914,18627,21913,30321,32113,41590,29328,



--31959,25332,29029,37568,38193,46563,32723,32399,23048,29240,  
--37345,38580,45419,29736,30848,22730,27771,34552,35338,44552,  
--30081,30744,22285,28564,35780,37847,43710,27665,29805,21572,  
--28831,36592,36435,43219,29677,32315,23826,31546,40235,41976,  
--46756,31664,30861,20276,28943,35420,35917,41722,25225,26449,  
--19709,26057,34569,36458,44002,31904,34602,25421,35404,39772,  
--39289,43858,27177,28088,19940,28629,36441,37431,42986,28959,  
--29438,22311,32847,39627,40872,46134,29844,30128,20289,26022,  
--33585,34803,39282,25227,28095,22466,33426,40713,40143,43376,  
--30236,32887,25185,35130,42832,40581,43091,26848,25676,17131,  
--28720,34826,35034,37212,23603,29730,30039,34303,30743,32341,  
--35105,34448,40307,34437,37949,34023,32360,30925,28356,31742,  
--26660,34437,32252,33142,35826,33675,33452,25719,29655,27103,  
--32536,38349,36104,37738,32721,33027,26344,30202,30722,28572,  
--44072,40811,41942,38989,36232,26032,23506,25384,17986,31084,  
--35737,39154,39023,35980,29702,23858,31765,28899,36402,43616,  
--39410,38745,34718,30165,23346,29124,26503,26097,37924,36788,  
--40577,41477,39099,27908,26600,28811,23709,35289,37158,37681,  
--36057,32915,24364,18689,25626,22918,33568,41160,39319,41762,  
--40798,37987,29169,33198,27997,28308,39319,37757,38942,36154,  
--33627,20101,18520,21728,20670,35812,38258,41108,38696,36524,  
--30579,26237,32633,28094,37116,41594,38120,39069,37846,36500,  
--26566,33026,26298,26059,38043,37709,40103,34529,32218,18152,  
--19095,22226,20320,33404,35721,40177,40213,40274,32575,30836,  
--36396,31502,40598,43660,38596,38548,36442,30689,22311,25824,  
--21313,20582,30440,31182,35706,39050,37910,25220,26024,27078,  
--27251,41540,44323,44686,42052,38355,26922,25683,30639,29193,  
--37804,40682,34366,33359,35211,30622,26215,30423,23867,22800,  
--34354,34508,36077,38281,34597,22445,23492,26307,27539,44997,  
--50718,48095,46696,41865,28727,27742,30894,26466,31920,35406,  
--29499,29122,30329,24571,19877,25819,22846,25476,40820,43066,  
--44668,48165,40675,27167,28674,28942,28805,42779,46331,41896,  
--39501,33542,19433,19864,25168,22800,29940,35805,31552,34047,

--38745,32171,27522,31384,26420,28408,42236,43427,44134,46285,  
--38624,24525,25645,22455,22761,37409,42700,39962,39302,35268,  
--22138,24253,27056,24889,33000,38941,35920,37377,40614,31568,  
--27602,30436,24416,26795,40575,40782,42067,45449,37387,24700,  
--25418,23587,22968,37503,42735,41006,40966,36354,22977,22408,  
--26360,23193,30460,38208,34592,37237,40976,32095,27789,30438,  
--25988,30299,44349,44640,44959,46588,36544,22918,23493,20196,  
--20609,32761,36549,36494,38153,34459,22827,24901,26485,25121,  
--36222,45220,43887,44782,44230,31868,26140,28592,24509,29409,  
--40011,38078,37178,38775,30227,20152,23094,20734,21782,35240,  
--40498,41690,44615,39890,26225,25975,26943,26576,36457,44017,  
--42025,42312,42046,31599,25244,26673,23454,27733,36299,35923,  
--36924,38052,32917,22767,24136,22705,26975,33151,36526,39937,  
--40192,38825,35129,34762,32253,31726,35347,34206,33345,33050,  
--30930,27537,28378,31398,29601,33859,36013,36298,31822,27565,  
--25851,24261,25638,27526,37287,41394,42972,44615,45608,34040,  
--25260,27829,25159,23669,30251,40330,39256,39388,37102,34078,  
--26388,20966,23171,26880,28619,30760,40980,40156,40533,38601,  
--41640,31874,23926,27761,26066,29610,32068,43742,40548,38122,  
--34727,33172,32419,25216,29514,28529,26103,23320,33364,36947,  
--36572,39637,41489,34194,26847,28435,27851,28267,29939,35651,  
--35764,39876,40137,43173,40972,30357,26398,22218,21501,17940,  
--31799,38930,39452,39925,37730,33239,22845,26778,27132,31722,  
--32261,39215,44083,41650,40919,38607,36134,22354,20954,22693,  
--25539,27771,36061,41730,36027,34761,33325,34225,30025,31713,  
--32166,32306,28867,31296,37978,37670,36207,37397,39359,29018,  
--26771,26502,28096,25561,28413,35200,34871,39575,39809,44400,  
--35518,30859,27022,24403,23451,25869,37278,38072,41211,39248,  
--38275,31345,23875,24755,26176,27539,31604,41304,42782,39356,  
--39282,39402,31003,22781,23118,25044,24438,29996,37643,40455,  
--39167,37069,37148,32231,26478,25859,32248,32809,31537,39952,  
--39445,35833,34679,39027,34424,26385,27874,26537,27438,25488,  
--34122,36766,35747,35512,36579,39704,29634,29480,32029,30833,

--26283,32422,39806,36371,38501,40342,39040,30436,24295,24613,  
--25018,25476,33307,40088,41712,37524,39142,37640,28136,24396,  
--24890,25919,22307,32090,39724,40628,41278,40869,40647,29181,  
--23841,24292,29357,27970,32516,42372,40334,38035,36335,39162,  
--29661,24459,25861,24667,24925,29474,40638,40160,37576,34536,  
--36150,31387,26228,30434,33677,31025,30277,37481,36789,35532,  
--35848,39144,32101,24780,24425,28291,28702,29910,39839,39771,  
--38003,33685,39566,33616,26706,27932,27913,26765,24205,37970,  
--39348,40102,39465,42290,36136,23348,24822,26860,29202,28772,  
--39145,40947,36231,34413,36856,32708,22363,23818,27770,28002,  
--28259,39793,43516,39063,35005,37968,34277,25460,28789,32179,  
--34189,30182,36081,36916,32552,30584,33420,35981,23958,25665,  
--28126,30163,28070,37377,42871,38670,37628,37502,39444,29964,  
--30118,28570,26510,21946,27022,38102,37814,39050,39081,41287,  
--27457,22862,25994,28937,28652,35308,42310,38958,37073,34616,  
--36818,27780,25036,24323,29517,28430,32935,43531,40826,36701,  
--32176,36188,25801,25997,30733,35550,39024,34652,32766,28435,  
--26704,24184,29039,33511,29926,30563,34453,37551,36118,38510,  
--38309,34024,32621,31435,30154,29392,32097,30768,29897,25791,  
--27378,38217,40791,38176,39700,40308,35890,29688,23783,26954,  
--27312,29082,29155,26371,30540,41941,41406,39885,37717,36490,  
--39391,34179,25104,27849,28415,23139,22574,24984,26779,40265,  
--43124,45398,43714,43481,41536,32890,21227,20564,23427,22991,  
--22192,23954,32249,40973,39703,42696,42980,40167,40946,38281,  
--25591,26046,27189,26968,24707,23071,26867,38503,38010,38408,  
--42197,40582,37152,32499,25444,24523,26499,29731,29625,27556,  
--32102,43386,39945,40222,40016,38708,35721,29404,20462,22757,  
--24712,23464,28880,26833,30503,43999,45841,43693,42382,43177,  
--38247,31433,21392,25055,25107,23420,23698,22801,28125,37662,  
--39778,41231,41122,39818,44476,39958,26100,27898,27969,23127,  
--20865,20653,25968,40352,40939,44325,44643,40209,37994,32616,  
--23540,22847,26293,26221,30057,25491,32495,42263,39116,38418,  
--35539,34994,37191,36375,24479,28876,27891,26405,29070,25739,

--32037,42204,45052,43587,43130,37773,37356,29997,18984,21011,  
--21610,25791,27408,26718,34060,47371,43305,43116,41428,36302,  
--40037,33581,24551,26086,27589,25736,28858,24778,29025,40483,  
--40616,39859,36938,36371,37456,31349,21289,25575,25900,27002,  
--33013,29516,37508,47639,47286,42145,35784,28472,33719,29120,  
--16173,22158,24515,25668,27612,28381,35256,46783,49032,48091,  
--43824,34818,36321,28970,18135,18545,23668,28329,29310,25532,  
--33497,45612,40939,40551,37804,33218,37148,35537,24857,25084,  
--27001,29216,30971,24713,32845,46192,47721,41653,38284,32755,  
--32016,26745,18314,22049,22300,28924,33816,30311,38045,51301,  
--49065,40531,35294,30857,36042,28616,18326,22663,24340,24979,  
--30581,30914,36346,47794,50324,47154,38700,32983,35353,27124,  
--15634,18921,22882,24606,28743,27667,38875,46194,45071,44942,  
--41085,34032,38670,35186,21661,22941,23431,25452,27433,25724,  
--39063,48512,47300,41439,38919,29807,29670,22531,16465,19201,  
--22702,30944,37080,35379,45076,54188,48388,41024,37335,31643,  
--33640,24307,18397,20308,19672,20151,29115,28065,37597,47509,  
--48349,45960,41797,38828,39361,29401,19731,22742,20803,22435,  
--31106,33395,35949,36311,37866,37442,34858,27589,31768,32047,  
--26382,27956,27603,28052,32916,35122,40408,45357,42593,40323,  
--37710,28225,28036,28199,27537,22742,19192,25377,32696,33002,  
--36378,37815,31248,28555,28255,34533,35559,36997,34335,35437,  
--33948,37022,44292,44227,32737,31746,33208,28138,26731,23771,  
--23362,22828,18559,27021,32614,34110,40447,40432,42259,46636,  
--47178,46951,42095,24653,27011,24220,19703,20856,21632,21664,  
--27215,28530,41467,47233,46139,43773,38860,34020,36066,34094,  
--31450,25923,18706,24784,29114,31705,36366,36751,32481,28653,  
--29840,35512,35576,35880,30427,32310,33855,37234,40190,43025,  
--34927,32553,31626,29778,29613,24674,22956,21806,18944,27444,  
--35674,38156,42411,42576,43943,46710,41915,39911,36614,23247,  
--21771,21681,22084,23230,23062,24415,29677,32321,45132,50761,  
--46247,40269,36368,33953,34648,31344,31793,27496,19165,22524,  
--28045,31836,33954,32573,30317,27773,30956,38549,39975,37592,

--33878,33102,34566,35602,38253,42212,33754,31156,32046,30758,  
--31248,26108,23113,22327,20080,25994,33234,32370,36188,38085,  
--40430,45816,45622,46391,45342,30389,29319,28934,26986,25006,  
--21678,17072,20116,23520,37912,42222,39967,40817,41763,40883,  
--42900,40938,41993,33338,20284,23569,25993,28600,31867,29526,  
--27287,27629,32821,42009,38571,36286,35572,33611,32377,34396,  
--37176,43626,33211,30693,32552,33052,33584,33116,27466,24289,  
--19800,27335,33432,29729,34209,36742,38263,41457,41221,46226,  
--44940,29470,29722,28494,25991,27100,24639,21467,23148,24973,  
--40637,42899,39743,42474,41405,38886,39889,36717,39443,29677,  
--17752,21595,22622,24546,31008,31033,29585,29239,34408,44311,  
--41416,39770,39861,36754,34983,35147,35850,41222,30729,27764,  
--29050,27418,28833,32038,28892,28423,23619,30297,33765,29277,  
--32075,34952,35776,40465,41076,45764,47460,34208,35647,33470,  
--28262,26836,24402,19351,20532,20205,33917,38269,37774,40041,  
--40280,38746,41690,40114,43987,33859,23045,25000,25358,27175,  
--31277,31147,30249,26332,29814,39679,38248,37892,36631,33411,  
--33568,34872,37362,43052,30609,28868,30211,29213,32182,35244,  
--33837,31825,24379,29667,33302,30294,31150,30975,29418,34336,  
--36035,43716,45085,33817,34441,33387,29313,31007,30669,30542,  
--30173,28634,32139,32437,32820,34120,33273,31531,32397,30650,  
--33290,29433,27220,28577,28943,29985,35156,36375,36621,34656,  
--36256,37522,35448,34504,33874,28367,28427,29794,31764,35868,  
--32241,34877,35402,36751,33284,32526,32732,30489,23852,23329,  
--21070,20107,22290,22829,19338,33019,39859,45536,48325,44787,  
--46332,44933,39748,41204,38424,39102,29563,21106,24316,22129,  
--22711,24935,24173,21945,24410,27359,30463,33645,38733,39453,  
--40262,40482,44186,44050,43979,41777,40508,42241,33862,24479,  
--25874,19468,17028,19783,23333,27515,23962,28991,29360,35275,  
--44357,46048,45109,42661,36235,36859,34341,33431,34925,36108,  
--28916,21611,27273,32694,30929,27204,30676,28276,24102,26090,  
--27210,29693,37420,36744,42118,39897,40405,42942,40376,34497,  
--36352,38204,39047,23586,23639,26191,22808,21590,28040,29683,

--27874,26785,29649,30723,37413,39314,40862,37803,36512,38688,  
--42565,42807,37778,39468,38971,25446,25242,28239,27274,24375,  
--20978,22776,20143,20667,25949,27108,33777,39003,41312,46466,  
--46129,43425,44772,40463,36493,36883,39394,31091,26550,27338,  
--27165,22931,23106,25320,23900,22760,25785,25124,34610,37269,  
--37191,39795,42488,41717,42414,41560,41867,38885,40255,33390,  
--24895,26496,24946,21123,23291,27619,30297,30588,31054,29873,  
--34802,40606,39548,39531,40733,38210,34276,34304,34270,33213,  
--36356,33904,27040,30115,32361,30609,30539,30224,28745,27569,  
--30001,28804,32566,40599,40272,37227,40925,40034,37637,37283,  
--35335,32710,34042,32314,26750,25860,29563,27492,27300,31240,  
--29243,28811,30947,27786,27851,37432,37485,35498,37504,40111,  
--40170,43089,43502,41617,38256,38291,27800,25651,27811,24879,  
--21450,22822,19246,21766,25087,26162,27082,36707,41494,41240,  
--42747,47283,44252,44439,44478,41105,38457,37703,29256,24021,  
--25886,23430,22491,23623,21813,20299,22840,25470,26309,34365,  
--42887,40987,43626,48607,46581,45950,43930,40008,36418,34656,  
--27536,21109,22478,21865,20286,23577,25186,24769,27636,32043,  
--31235,38390,46359,44771,41182,41488,40003,38231,38690,37371,  
--35335,36042,32295,24729,25892,26731,24088,24581,24952,22731,  
--26468,30399,31050,34117,44089,44209,43213,42690,43647,39777,  
--39528,36132,33826,31676,32000,22522,23925,25723,26757,27622,  
--30128,27020,27491,28902,28213,27963,39099,42847,41422,40337,  
--42495,42117,44279,43073,39695,37347,35810,25865,21884,24097,  
--23071,20940,21827,18596,21109,30886,35729,36473,37414,40151,  
--40557,39961,40360,38354,39251,37063,33780,31259,30676,30069,  
--28833,28572,29196,26538,28696,26311,24714,26824,29907,29466,  
--31079,32773,36667,36472,39969,40075,42019,42195,39505,35079,  
--34097,34239,30653,23924,25210,22064,22796,22588,22435,24826,  
--27744,25534,25242,27057,29306,27446,38995,42815,40437,40553,  
--38224,36302,37418,36304,34123,34529,38899,38490,38444,40936,  
--30872,25733,32520,31444,32458,32748,32849,30809,29946,27899,  
--25225,25536,22388,15407,26009,33317,31635,33288,37292,37965,



32768,32768,32768,32768,32768,32768,32768,32768,32768,32768,  
32768,32768,32768,32768,32768,32768,32768,32768,32768,32768,  
32768,32768,32768,32768,32768,32768,32768,32768,32768,32768,  
32768,32768,32768,32768,32767,32768,32767,32768,32767,32768,  
32767,32768,32767,32768,32767,32768,32768,32767,32767,32767,  
32768,32768,32768,32765,32769,32765,32768,32770,32763,32768,  
32767,32774,32761,32774,32760,32773,32761,32765,32752,32763,  
32766,32754,32771,32758,32760,32756,32765,32763,32760,32761,  
32762,32762,32761,32764,32749,32763,32762,32760,32754,32756,  
32761,32758,32756,32741,32753,32733,32852,32643,33008,32356,  
33356,31802,34415,29455,39531,43931,20606,21333,29902,40037,  
40338,40437,31243,22552,23682,32989,37421,39778,41174,32173,  
22965,24254,31420,38007,41516,41366,30978,22827,22712,30229,  
39143,41664,40561,31043,22713,23586,31773,38791,40605,41404,  
31803,22303,22723,30692,39395,42183,40820,30751,22343,22898,  
31250,39687,40872,40205,31480,23268,23385,31506,39082,40799,  
40225,31043,23387,23396,30892,39212,41128,39832,30660,23519,  
24100,31924,38457,40746,39499,32088,21818,29360,32569,27231,  
41090,48868,34364,17301,21284,35228,44260,37895,30416,28577,  
32441,31617,28465,30444,39189,44677,33631,20923,22226,35645,  
42918,37402,30745,29060,31921,32052,28900,30339,38316,43722,  
33805,21382,22858,35724,42523,36863,30623,29251,32567,32256,  
28829,30519,38074,42949,33456,22142,23382,35557,42304,36681,  
30226,29058,32870,32593,29016,30160,38129,43185,33250,21905,  
23629,36098,42276,36197,29871,29298,33150,32595,29148,30253,  
37796,42700,33485,22376,23869,36000,42182,36334,29833,29000,  
33236,33003,29105,29934,37754,42438,33015,22432,24319,36205,  
41879,36045,29898,29249,33227,33030,29592,30243,37536,42027,  
33003,22607,24354,36287,41952,35890,29249,29002,33465,33222,  
29485,30225,37628,41914,32852,22869,24855,36391,41654,35910,  
29509,28909,33315,33360,29804,30201,37347,41557,32877,23032,  
24957,36466,41638,35718,29391,29113,33495,33284,29776,30393,  
37509,41166,32463,23230,25389,36421,41279,35637,29320,28964,



33457,33457,29978,30296,37308,41024,32471,23238,25636,36734,  
41243,35392,29349,29196,33439,33183,30007,30755,37551,40737,  
32187,23420,25818,36736,41167,35471,29331,29113,33445,33271,  
30015,30700,37678,40659,31886,23250,25995,36912,41020,35304,  
29351,29178,33258,33120,30257,30958,37556,40394,31884,23497,  
26162,36902,40996,35403,29335,29128,33239,33104,30241,31133,  
37760,40081,31371,23459,26598,37037,40534,35102,29490,29262,  
33117,33041,30461,31271,37678,39809,31386,23683,26819,37168,  
40557,34981,29297,29310,33272,33039,30333,31208,37737,39725,  
31213,23748,27020,37256,40476,34953,29271,29358,33429,33258,  
30461,31239,37721,39636,31124,23708,27217,37437,40405,34646,  
29019,29478,33581,33208,30332,31300,37740,39416,31042,23902,  
27412,37478,40323,34560,28848,29414,33736,33447,30310,31116,  
37656,39341,30939,23922,27641,37625,40160,37526,22400,31850,  
39331,27914,27957,37000,37771,32304,33616,29583,23359,34588,  
45530,34182,23005,32596,38694,28572,27869,37241,37113,32311,  
33698,30070,23568,34529,45126,33731,23393,32821,38571,28242,  
28251,37510,36483,31802,34145,30435,23602,34588,44959,33377,  
23226,33538,38528,28037,28463,38009,36056,31232,34454,30672,  
23863,34534,44671,32983,23399,33885,38417,28045,28728,38127,  
35653,30952,34619,30924,23840,34653,44628,32521,23548,34378,  
38276,27558,29141,38475,35232,30587,34868,31347,23706,34598,  
44433,32348,23594,34603,38096,27410,29506,38552,34996,30532,  
34825,31203,24211,34764,43858,32171,23999,34693,37669,27469,  
29860,38490,34604,30598,35076,31082,24481,35003,43515,31857,  
24358,34876,37338,27437,30123,38610,34265,30367,35274,31295,  
24443,35053,43372,31564,24690,35155,36961,27380,30592,38468,  
33956,30481,35282,31212,24642,35211,43045,31332,24894,35299,  
36693,27408,30924,38263,33742,30767,35315,31000,25071,35453,  
42646,31225,25232,35407,36437,27447,31262,38198,33195,30786,  
35629,30679,24910,35829,42432,30593,25495,35770,36043,27330,  
31678,38182,32788,30868,35939,30627,24918,36124,42292,30254,  
25751,36027,35848,27411,31997,38036,32599,31034,36055,30572,

25059,36319,42090,29993,25981,36265,35508,27330,32369,37878,  
32107,31116,36249,30331,25122,36532,41811,29670,26224,36468,  
35222,27309,32702,37793,31785,31316,36398,30148,25373,36792,  
41397,29434,26644,36485,34913,27497,32917,37473,31540,31498,  
36424,30015,25575,36968,41047,29286,27018,36485,34562,27689,  
33199,37202,31422,31743,36343,29799,25891,37167,40626,29167,  
27493,36521,34135,27912,33611,36923,31211,32040,36293,29540,  
26188,37350,40274,29072,27816,36489,33887,28054,33792,36762,  
31135,32173,36192,29453,26470,37389,39882,29070,28148,36336,  
33601,28290,33999,36495,31038,32410,36127,29272,26755,37526,  
39466,28999,28546,36287,33279,28484,34204,36269,30969,32542,  
35989,29212,27083,37539,39077,29040,28877,36126,33040,28768,  
34328,35975,30990,32777,35802,29077,27433,37588,38695,29049,  
29179,36008,32824,29008,34457,35662,30951,33022,35652,28924,  
27762,37643,38310,29086,29481,35812,32646,29305,34521,35360,  
30948,33225,35521,28800,28019,37744,38036,29034,29727,35816,  
32513,29453,34647,35206,30882,33347,35501,28752,28176,37781,  
37810,28973,29909,35783,32368,29601,34736,34986,30813,33501,  
35417,28647,28418,37853,37502,28931,30196,35750,32177,29783,  
34894,34772,30735,33682,35387,28574,28626,37883,37222,28898,  
30389,35684,32066,29933,34915,34563,30701,33786,35286,28540,  
28866,37871,36897,28904,30654,35598,31900,30173,35037,34329,  
30700,33993,35199,28464,29144,37924,36617,28941,30909,35500,  
31762,30343,35089,34157,30704,34057,35042,28455,29352,37841,  
36355,29015,31068,35336,31657,30522,35121,34005,30756,34157,  
34915,28465,29607,37813,36105,29107,31288,35201,31529,30725,  
35175,33843,30812,34230,34734,28460,29865,37739,35833,29220,  
31472,35017,31415,30910,35169,33668,30864,34282,34557,28504,  
30107,37614,35569,29346,31655,34864,31348,31094,35162,33532,  
30951,34340,34403,28561,30342,37530,35346,29460,31817,34713,  
31303,31304,35134,33355,31041,34424,34230,28593,30610,37427,  
35091,29603,31966,34536,31294,31527,35047,33175,31172,34489,  
34051,28663,30847,37310,34905,29711,32045,34414,31314,31677,

34984,33044,31243,34560,33954,28671,30987,37244,34725,29779,  
32176,34322,31278,31807,34954,32868,31251,34620,33862,28703,  
31144,37201,34545,29822,32301,34240,31269,31968,34942,32752,  
31308,34673,33779,28743,31327,37084,34329,29925,32403,34130,  
31259,32069,34862,32621,31360,34710,33681,28834,31498,36978,  
34160,29983,32510,34053,31222,32207,34873,32534,31432,34760,  
33615,28904,31631,36856,34049,30106,32606,33942,31249,32342,  
34797,32425,31452,34707,33462,28998,31771,36737,33848,30150,  
32675,33855,31269,32453,34753,32353,31533,34701,33403,29095,  
31965,36699,33756,30326,32765,33722,31224,32559,34726,32331,  
31619,34652,33256,29172,32032,36489,33622,30428,32818,33595,  
31217,32585,34623,32281,31720,34677,33166,29276,32164,36394,  
33532,30580,32869,33492,31313,32771,34586,32224,31789,34634,  
33069,29399,32327,36214,33405,30648,32906,33412,31307,32796,  
34485,32193,31839,34538,32951,29526,32436,36076,33323,30819,  
32957,33316,31358,32883,34456,32211,31957,34495,32860,29684,  
32541,35900,33223,30929,32945,33197,31426,32913,34264,32123,  
32047,34494,32804,29762,32623,35790,33152,30989,32938,33165,  
31508,33025,34244,32099,32085,34472,32741,29868,32706,35707,  
33082,31081,32998,33077,31490,33045,34175,32040,32137,34469,  
32715,29938,32763,35578,32987,31140,33033,33049,31563,33146,  
34145,32017,32165,34454,32658,30018,32842,35502,32891,31192,  
33077,33013,31591,33196,34064,31943,32201,34416,32584,30105,  
32912,35406,32846,31271,33082,32955,31634,33232,34002,31935,  
32273,34398,32543,30178,32987,35312,32787,31361,33121,32913,  
31653,33244,33910,31890,32318,34373,32506,30295,33029,35170,  
32710,31437,33130,32862,31720,33307,33869,31897,32372,34319,  
32466,30414,33095,35064,32672,31523,33133,32794,31757,33340,  
33823,31907,32427,34253,32408,30499,33125,34958,32657,31632,  
33135,32730,31804,33356,33746,31916,32484,34201,32376,30623,  
33177,34823,32613,31703,33127,32696,31835,33385,33698,31938,  
32532,34123,32357,30744,33204,34686,32579,31799,33133,32651,  
31885,33393,33631,31952,32557,34044,32325,30862,33261,34595,



32768,32768,32768,32768,32768,32768,32768,32768,32768,32768,  
32768,32768,32768,32768,32768,32768,32768,32768,32768,32768,  
32768,32768,32768,32768,32768,32768,32768,32768,32768,32768,  
32768

);

type sound\_missile is array ( 0 to 3527) of integer;

constant sound\_missile\_begin : sound\_missile := (  
32657,32348,32773,32476,32426,32648,32804,32453,32734,32597,  
32578,32558,32692,32608,32688,32817,32178,32669,32679,32351,  
32855,32787,32442,32726,32769,32171,32533,33063,32470,32392,  
33129,32496,32347,32624,32750,32653,32596,32950,32146,32799,  
32550,32510,32530,32892,32531,32481,32711,32647,32696,32325,  
32593,32763,32755,32490,32436,32699,32745,32229,32775,32723,  
32325,32940,32563,32109,32921,32957,32023,33153,32394,32447,  
32685,32415,33156,32311,32735,32437,32460,32812,32835,32412,  
32419,33112,32443,32374,33055,32435,32344,32919,32871,32660,  
32266,32558,32893,32611,31914,33584,32295,32257,33186,31844,  
32730,33122,32203,32362,32882,32469,33393,31653,32582,33112,  
31990,32498,33541,32461,31781,33001,32525,32985,32106,32828,  
33087,32008,32833,32765,32500,32540,32697,32174,32649,32649,  
32753,32923,32478,32519,32566,32834,32422,32641,32972,32388,  
32062,33391,32595,31710,33405,32154,32681,32930,32994,32171,  
32323,33718,31688,32280,32790,32890,32671,31941,33432,32748,  
32133,32982,32512,32456,32611,32278,33075,32265,32588,33120,  
32477,32298,33115,32311,32224,33550,32236,32492,32660,32388,  
32213,33186,32321,33078,32977,32144,32817,32206,32592,32633,  
32748,32841,32461,32311,32525,32980,32952,32582,32356,32407,  
32625,32728,32607,32544,32833,32090,32608,33308,32331,32226,  
33066,32435,32742,32394,32929,32069,32665,32403,33157,32359,  
32725,32592,32322,33054,32034,33040,32314,32374,32692,32356,  
32617,33301,32153,32764,32334,32723,32100,32515,33511,32394,  
31844,32763,32791,31994,33433,32505,32454,32620,33144,31507,  
32638,33664,31704,31881,34107,31968,32325,33398,32269,32170,

32388,33481,32264,32324,32488,33123,31837,33195,32603,32539,  
32378,32545,33513,31365,32914,32991,32334,33174,31577,33371,  
32254,32889,32477,32938,31925,32352,33589,32368,32103,32595,  
33604,32140,31623,33040,32645,32843,33158,31931,32516,33678,  
31106,31919,34490,31915,32296,33403,32058,33165,32092,32712,  
32432,32706,32490,32077,33897,32432,32261,32021,33312,32353,  
32711,32427,32782,32770,31937,32757,33077,32340,32881,32652,  
31666,33484,32602,31882,33337,32273,31843,33169,33826,32582,  
30984,32416,34156,31555,32563,33229,31362,33684,33049,31983,  
32152,33028,33520,31757,32546,31902,33124,33155,31851,33369,  
31450,33843,32484,31519,34065,31474,32142,33714,31965,32034,  
33744,32219,32694,32738,31825,33145,32047,32648,33556,31574,  
32877,32970,31976,32347,33420,32911,31446,32808,33413,31858,  
32408,32715,32993,31907,32660,32690,32682,33162,31816,32709,  
33548,31306,32945,32516,32579,32740,32109,32895,33555,31789,  
31610,33337,32379,32526,33696,31861,31761,33502,32326,31891,  
33175,33153,33282,31544,32249,32971,31561,33253,33293,32690,  
32015,32491,31713,33884,32649,31594,32521,33570,32314,32415,  
32497,32519,33087,30755,34308,32860,31748,32475,32283,33183,  
32837,32274,32529,32023,32828,33054,32640,32418,32186,32558,  
33403,32503,31891,31847,33465,33415,30625,33646,33636,30495,  
33890,32805,31491,32691,33057,32673,32498,31985,34084,31272,  
32787,33395,30486,34038,33218,31463,31862,34344,31994,32505,  
32746,31758,33594,32678,31684,32454,33473,32172,32866,31687,  
33099,33313,32545,31905,32098,33721,32355,31190,34139,31880,  
31825,35177,30867,31284,33980,32165,33718,31444,31919,34498,  
31545,32614,32303,31870,34047,31349,32840,33535,32360,32041,  
32999,33254,30868,33120,33534,32176,31370,33434,34021,31734,  
31941,32450,32846,32712,33110,31583,32691,33483,31467,33537,  
32418,32839,31238,32059,33605,33185,31527,33035,33954,32101,  
31106,31505,35112,32905,29623,34492,32213,32646,32537,31862,  
34346,32105,31302,32830,32710,32223,32594,33852,32054,30830,  
33431,35115,30210,31812,34747,31807,31112,33961,31766,33000,

32891,31822,33692,32406,32392,31321,33602,32965,32411,31886,  
31672,34626,31943,32849,31950,32725,32905,31684,33507,33180,  
29997,35396,30661,32928,32858,32280,32785,32450,32536,32899,  
32548,32142,31955,33542,32416,32197,32902,32217,33697,32641,  
30885,33586,31914,32911,32999,31514,33426,32004,32545,33303,  
32208,33467,31300,32724,31366,34317,31340,32661,33334,31987,  
32817,32787,31425,32955,32404,32660,33369,32578,31086,33410,  
32834,31309,33119,33437,31875,32873,32824,31464,31011,34288,  
34690,30924,30794,33391,33940,31875,31602,33170,33046,32253,  
31939,32619,33359,31838,33073,32726,32027,32553,32008,32902,  
33001,31305,33121,34271,31848,31226,31771,33972,33450,31296,  
32762,32680,31401,33521,32769,31714,33850,31768,32753,31919,  
32412,33216,32729,31749,32607,32310,33104,32844,32535,31148,  
32816,33787,33597,29805,31617,34570,33425,30064,33612,33560,  
30706,32911,33084,32242,33637,31197,32996,34545,28652,33210,  
33756,32432,33142,31974,32058,33241,32313,31287,34755,31165,  
32287,33515,33086,30248,33710,31500,33248,35455,30692,30385,  
33162,34130,31447,32518,32033,33598,32757,32590,32216,32213,  
31181,32901,34928,31488,32199,34489,28611,34817,32412,32343,  
32866,31359,35285,30743,31543,33655,32484,34082,32857,28930,  
33210,34043,32671,31396,33226,32667,32318,34005,33203,29797,  
31337,34896,34437,29737,32735,33342,31462,31947,33976,34118,  
32041,30403,32907,33647,32940,30619,33481,33361,31408,32917,  
33659,31541,32442,31789,33597,33821,31388,32359,31832,32920,  
32787,32320,33003,35049,30602,29790,34193,33323,34280,29038,  
32844,34838,31995,32761,31249,33837,31430,32994,32662,32489,  
32483,31907,33962,31140,34040,30897,34656,31974,31542,30666,  
36046,33051,30248,32855,32179,35273,30965,31425,32308,31963,  
37736,28733,33139,30877,34853,31831,31668,32233,34957,31443,  
32091,32645,31698,34364,32021,32172,33061,32126,32564,32054,  
33192,32319,33575,32357,32535,31619,32192,33873,32602,32128,  
31652,33121,32616,33309,32569,32350,31765,31028,34365,34086,  
32614,30943,30587,35585,31698,31404,34668,31366,30681,35284,

32381,31973,31241,33122,33574,32431,32094,30924,35287,31677,  
31021,33089,32960,34566,30275,32205,33118,32413,32630,32384,  
33383,31967,33214,30981,31910,33492,33019,34551,31157,30433,  
33152,33805,32066,32823,32480,31259,32160,34358,32612,32848,  
30089,34043,33704,30932,33417,30974,32472,34289,31389,34032,  
31822,32773,30541,32918,34023,32352,31568,32392,34728,30683,  
32554,32286,33131,33921,30980,31908,31952,34172,32719,32756,  
29550,35450,33350,29692,34429,30460,34672,32680,30907,34193,  
30965,32852,33726,31830,32847,29866,35273,31668,33050,33929,  
31133,32698,30167,34406,32128,32993,34556,29734,35129,29929,  
31932,34666,30519,35211,32849,30802,30938,32503,35304,33234,  
32388,29807,31364,35394,32903,31972,32677,31387,34083,31881,  
32191,30808,34305,33784,30128,34397,32398,33176,29944,32692,  
34996,30689,32333,33451,32831,32858,31167,31633,34581,31778,  
32508,33462,31124,33279,31691,32233,34852,31336,31255,32355,  
35363,31199,31246,33604,32139,33539,28706,38008,30003,30385,  
36007,30863,31443,34012,31671,32818,34677,30978,31802,30020,  
33977,38206,27697,31983,33174,33677,32553,31017,33814,32434,  
32826,30798,34741,31627,32221,33319,31485,32801,34221,31814,  
31733,33300,31731,32068,34451,31550,31967,34204,32428,30728,  
33977,30526,33038,34833,30786,34592,31900,32087,30073,33818,  
35304,30461,32093,32670,30983,37921,28883,31371,33036,31283,  
35977,31273,33930,31985,28495,34779,31807,34174,34361,29745,  
35723,28205,32531,35596,32186,31037,33765,29460,36641,33037,  
29368,34491,30849,33562,32812,31775,32093,34773,31709,30767,  
35106,30816,34799,30167,31490,37604,29338,32202,32595,30318,  
37589,30937,32105,32414,31723,33412,33710,30204,33105,34201,  
33310,31438,31146,32416,34235,32946,31882,30669,35682,31445,  
33584,30821,31162,34813,31788,33119,32985,32513,30898,33824,  
32426,31041,34685,31844,32851,32904,31641,31718,32883,33323,  
32267,33108,31940,31094,33864,31928,33876,33169,29128,34424,  
33740,32686,31261,29969,33274,33493,34384,33030,30811,30653,  
34036,30866,36587,30700,29692,34052,34654,31504,30231,36637,



29412,32509,31299,33539,35557,30886,31557,34416,28648,32653,  
35452,32518,32488,30894,34627,30026,32518,32606,33538,33495,  
31696,32941,32355,28269,36803,33725,28626,35613,32023,31008,  
33626,33827,30708,31324,31711,34794,32953,33337,32288,31047,  
30242,35813,32528,29929,34686,31866,35516,28254,30428,39285,  
28812,33032,32908,31909,33864,31352,31233,34321,31325,32701,  
32886,34306,32794,29501,33228,31600,33232,34399,32341,31031,  
32929,31135,34032,31589,31765,35686,29189,32441,36374,32161,  
29460,30963,34795,30084,36600,33421,29698,31795,34311,31131,  
33384,31388,31977,34924,30835,35363,29938,31834,34255,30985,  
34815,29944,31103,36565,33125,30841,32334,29887,35098,31606,  
33448,33090,34714,27157,32391,36341,30240,34454,31962,33167,  
32054,31016,32828,31459,35171,31011,32427,36642,28490,31298,  
34162,33963,30774,33142,30148,36181,31177,30725,36840,29085,  
30695,35423,33560,30857,33208,31770,33644,29401,34863,32959,  
32533,32842,31144,32536,30556,35484,34101,31140,31893,31533,  
33269,32890,31400,32848,31737,34601,34909,26891,33496,36429,  
29001,32326,32499,35955,28302,32775,36951,29662,30081,36457,  
29293,33511,33577,32966,31697,32293,32263,34316,31425,30392,  
33848,34917,29079,36301,29586,31987,34929,30933,33526,30852,  
34202,31350,34235,30980,33966,29565,33582,33746,34202,30739,  
31405,32807,33143,32299,31596,32104,38468,29446,29737,33812,  
30826,34041,34120,29363,36427,32492,29735,32928,33216,31682,  
33413,31846,32189,33611,31293,34550,31356,33738,30652,33648,  
31209,32038,34081,30734,33901,33246,33300,31935,31510,32334,  
31668,32751,32580,32919,34083,34989,27450,34732,29260,33802,  
35040,31130,33049,33436,29979,31865,34052,32551,34326,30258,  
32386,34923,27861,35838,32238,33886,30252,34756,33043,28364,  
32512,36243,32005,30154,35866,29712,33146,32831,34672,29211,  
33417,33031,32451,34268,33541,27511,32404,37754,28641,31863,  
35639,32162,33122,33273,30280,32021,32846,33342,30727,35000,  
31174,33782,34570,28471,32224,33282,35923,28576,33351,34505,  
31858,32236,31939,33649,31073,32860,32724,34717,28864,35300,

34738,28067,33236,34040,29775,34915,30286,36382,33869,28528,  
34836,32244,28208,35647,34193,33054,27365,37621,33969,31337,  
29296,32175,36345,29972,35455,30286,33875,32428,29489,37039,  
28608,35679,32827,31275,33453,31346,33588,30694,35170,29388,  
33587,36569,29482,36005,28195,32397,34559,33418,29850,33861,  
32271,34647,33768,28290,33787,34231,30752,35471,29202,32768,  
29812,37776,34572,30665,29161,34411,34784,30524,29827,35838,  
34965,27584,32635,36456,33350,30707,30400,37117,29242,31307,  
35870,31816,31465,31720,35078,32044,33647,34053,27485,32881,  
37031,30169,31930,33862,31847,31093,32539,34745,35618,29130,  
32932,32422,31568,34085,31708,31573,33596,35708,27850,34741,  
32940,30518,35790,30824,33225,33683,31443,30435,34908,28389,  
34776,37338,32356,30037,28898,36712,34575,26179,35725,32919,  
34767,31480,30039,33846,32026,34250,34440,28861,32991,34136,  
31769,32339,32163,32926,33066,33059,32605,32292,31454,34417,  
29414,36330,31412,30488,36389,29050,34285,33086,29148,34586,  
34451,33377,28261,35805,33592,29962,30815,32365,35352,34518,  
29069,31715,39096,31182,29543,28853,31778,40111,33213,28723,  
30545,34066,35452,29842,30747,35974,33593,30141,33753,32422,  
30069,35966,28714,36668,33910,29571,31114,32026,35743,33300,  
30614,32768,33842,29001,35333,31385,33129,36170,26185,36707,  
32818,32396,31602,32169,32949,32032,33222,34078,29964,31763,  
39167,28499,29773,37324,31996,26565,37668,33023,28969,34878,  
32227,34675,31916,30780,34394,31554,30637,37654,27100,33440,  
37108,30587,29613,33850,35117,32015,28770,36644,31358,32912,  
31810,35986,28441,32219,33320,33686,33553,29658,37025,30536,  
31154,35076,29503,34749,30265,34143,31666,36183,31520,28940,  
34249,33669,33832,28908,34323,33218,30092,37714,29768,28613,  
40026,27939,32201,31326,34096,35554,35266,23913,32438,37231,  
31186,38037,26679,32748,31337,35240,36314,27031,33325,32141,  
31151,37498,31723,32537,26001,37918,33906,32957,33307,26849,  
35833,31141,34096,32622,36516,27797,32674,29913,37303,35945,  
28530,30755,33824,32398,31544,38272,30556,27280,36580,31368,

34240,34507,29641,29923,37315,32311,31392,34693,29290,29970,  
36677,34603,31279,34754,28591,31534,35935,35114,25901,36908,  
31578,31453,36969,28225,32617,35711,30736,32918,33087,32923,  
32311,35418,28583,29807,32783,39884,28647,31781,37199,27844,  
31232,39232,32242,23517,37382,33221,30647,39132,30523,30470,  
31825,33864,28470,37208,31921,34426,29154,34904,32231,30634,  
34748,32080,33073,32222,30572,41985,21256,32147,38653,35935,  
25284,35402,33964,31168,28426,37962,34160,30548,32224,28436,  
36748,32751,32788,37812,23107,34903,37323,27161,37878,30046,  
32704,30757,36511,28983,34073,34030,29797,33126,35890,34219,  
30363,31488,28393,37837,33181,29439,35122,33261,33077,31190,  
32375,31333,37323,29364,28867,36849,34017,33853,28641,30979,  
37301,30475,35385,29166,30956,33725,39461,26769,32746,29445,  
35137,36736,29216,32877,33616,33178,26082,37788,35088,29454,  
32262,34218,32819,29076,37383,30000,34520,26217,33849,38817,  
34208,27622,30689,33167,33633,36816,30690,29442,29039,40327,  
27051,35069,36298,30890,27938,30905,42083,26350,33250,34496,  
31067,34376,32158,24996,43788,27828,30283,40732,30014,21573,  
35750,37889,38749,32867,17439,40958,32242,27878,42619,32678,  
28021,25662,36605,36748,32844,33619,25799,33375,38983,36293,  
27725,26564,32510,42520,29333,28271,37509,26988,34056,35403,  
35836,33520,25807,33735,30235,37324,31697,32921,32592,34221,  
30914,33342,30570,34144,32206,30522,37060,31269,29419,35451,  
38929,27609,24573,41334,31513,29145,33088,37213,33525,28741,  
30588,31531,39682,26503,37918,33760,27038,31882,35440,29062,  
34273,35144,34692,29809,34384,33487,23153,39192,35357,27234,  
32755,36316,35256,25098,37993,36088,20549,39335,35732,29198,  
30196,34449,34711,29752,32251,40746,29284,23766,38951,37280,  
23885,30101,37769,36066,34638,28829,30764,38337,22251,33402,  
45756,22938,30296,36219,31359,40887,27972,22122,37958,42736,  
28835,27303,36196,27092,32047,39599,28881,38806,31723,21139,  
37896,37787,36229,26617,32939,29425,27982,40303,37831,25691,  
28518,39755,35896,27157,28642,38888,31627,24796,37344,37470,

33725,27595,31918,41077,21188,34600,42078,23766,31317,42672,  
24850,27547,42110,31991,33056,29853,25497,40179,32912,32818,  
35828,25623,30293,42274,33800,23095,32878,35418,32539,35835,  
29966,33568,37782,23217,31023,39808,30043,27523,40594,32780,  
23776,43380,33944,21853,27624,38265,38780,36289,29856,28684,  
23718,40100,38037,25062,33584,32997,26729,35339,41420,34378,  
22266,27011,46769,30017,26952,29503,31406,37243,37303,36443,  
25124,26887,37889,33571,31329,30243,36255,30094,35518,35578,  
26093,29408,36803,33702,30077,36586,31736,29774,35820,31285,  
27982,33050,35626,32758,34654,33135,24946,35363,33419,33267,  
29844,31466,35736,34969,28209,33752,33638,24900,36711,39179,  
27397,27782,32137,37708,31896,34230,28964,27250,36307,33106,  
35273,29773,30076,34764,32033,34050,29686,30533,32552,35050,  
32825,32400,29117,31849,31930,35980,36692,22793,35157,30233,  
33023,38888,27941,24742,35927,38379,30772,33355,30336,26524,  
35235,36226,29935,31272,31139,34765,33945,31924,25630,34339,  
40741,29134,25767,30385,34377,36752,36688,25801,26644,37332,  
36411,28931,30445,33345,33813,27554,34694,35382,27993,29097,  
33556,37914,34952,27789,29729,34161,28934,31500,34500,32548,  
33361,31621,31636,32152,28931,34359,35090,28079,33852,31919,  
29820,34238,30014,35051,32964,28549,28345,35526,38447,31936,  
23684,30649,34608,32974,35984,29820,29888,34583,31652,32386,  
28109,32771,35386,28195,34683,33980,27872,31802,33287,34169,  
32939,30094,30753,31381,32230,31062,34749,36261,25197,29819,  
35750,32889,35051,31435,30949,27237,30562,34718,36689,32424,  
25610,35072,32006,33027,29483,30455,39144,28761,28143,32464,  
35181,30124,29387,36154,32060,35396,30797,27209,31528,32453,  
32117,29677,36793,34674,28997,30897,34771,29728,29544,31473,  
33161,34894,31907,31033,30831,32250,32266,30904,33848,30153,  
31441,32337,34994,35024,27598,29611,33358,31400,28997,32536,  
36441,31460,30863,35360,31704,32325,28112,27419,33965,33071,  
35684,32703,30070,32002,33809,31345,27764,34913,32830,30050,  
31661,34584,32778,32497,29168,29109,36697,32665,28337,33683,

34821,33652,28840,28973,34913,31875,30183,33039,34686,31167,  
32361,32172,29502,30548,34507,35017,33350,29860,31375,29515,  
31922,32375,33617,33475,32014,33812,28897,32657,32668,31173,  
34392,32424,28850,29410,34623,34422,32523,31213,30795,33869,  
31971,34685,31992,26547,30030,33765,36807,33205,32550,31730,  
31490,30524,29834,32546,34624,31283,31056,34884,33850,30293,  
31957,33372,29901,29983,35090,32751,28813,34111,33916,32029,  
33784,32661,27133,31825,35625,32470,32534,29492,33624,34685,  
29542,30034,33951,34138,32594,31950,32824,28903,30998,34369,  
34384,29958,32341,35038,32720,29768,30445,32700,32983,31846,  
34520,33875,29774,31815,32418,33151,30491,31168,32098,35061,  
33017,33327,32763,30087,32271,31652,29436,31972,35842,33220,  
33076,32038,31828,33277,29215,31721,32361,34683,32907,32208,  
31920,29251,35563,33744,31607,31391,29556,32987,32724,33968,  
34403,32376,32664,31380,29759,30307,34378,32021,35177,32666,  
30755,32432,32769,31967,33780,32880,29169,32348,32802,34211,  
32469,32987,31803,30675,32006,34486,33156,32515,33995,31668,  
29614,29914,32820,34623,34537,35338,33238,26899,29420,32506,  
37027,33208,33053,33631,31181,28723,31507,33491,34627,32833,  
33493,35854,30613,27229,33413,35954,28996,32482,37418,34092,  
27989,31671,34785,33202,32339,28439,32837,35570,34262,33655,  
32817,32932,29640,29117,33214,35034,33545,34694,33484,31067,  
31542,31433,32184,34327,32956,32560,30803,33647,33870,33756,  
31516,33784,30348,33274,32634,32139,32257,33104,34427,34134,  
30654,30862,33194,33369,32318,31328,34198,34800,32101,31886,  
31975,31585,32747,33944,33316,34023,32317,30801,30474,33489,  
33480,33815,34660,31807,30680,33624,32709,31535,33779,32765,  
31939,33164,32812,33410,33173,33029,29755,34390,32979,32316,  
31953,32826,34484,33600,32382,30294,32608,32408,32628,35322,  
33046,31309,31825,33637,33014,31767,32973,31730,35179,33110,  
31576,31396,32552,32905,32939,34429,31713,32154,33712,31843,  
35257,30780,30994,34003,33323,33298,32280,32469,32397,32388,  
33508,32928,33022,33071,32741,31540,32511,32575,34925,32558,

31702,32279,31599,34516,32817,34841,32461,30312,31828,32408,  
33920,35099,32533,31266,31807,31416,33787,34734,32818,32781,  
32935,32035,31596,31570,33790,34010,34219,32402,32180,32268,  
31929,34135,32791,31429,33124,33038,33157,33831,32335,33218,  
33237,31774,31710,31677,33370,34401,33018,33650,31747,32047,  
32249,34082,35256,32967,30372,31081,32970,33282,34201,32539,  
33177,33253,33248,32649,30666,33191,33821,34119,32756,31918,  
32676,33447,31777,32188,32682,33326,34740,33342,32584,31792,  
31969,32826,33132,32871,33791,32061,32348,33427,33355,33929,  
31565,32267,33469,32966,33651,32282,32725,31454,32881,34269,  
32970,32569,31469,33289,33058,33347,31739,33891,33987,33128,  
31216,31800,34234,32383,33519,33938,30447,32867,32916,34700,  
33096,31187,33033,33740,33868,32166,31858,31960,33229,33682,  
34219,34230,31279,31562,32330,33701,32947,32523,34246,33116,  
33981,32070,31260,32544,32945,35094,33344,33021,31504,31702,  
33040,32940,34841,33115,33220,32330,32042,31728,33692,34825,  
33437,31635,32663,31814,32507,33282,34498,33702,31815,32633,  
32990,32419,33828,33556,32081,32221,33230,34538,32282,31539,  
33167,33752,32792,32973,33600,32305,31647,33904,32803,33075,  
34130,32916,32677,32545,32525,32523,33093,34410,32022,32947,  
33343,33510,32735,32068,31767,32921,34126,33539,32018,33231,  
34514,33629,30856,32625,33387,33005,32425,33591,33373,33046,  
32144,32037,33020,33655,33493,33539,33376,32761,32157,32773,  
32836,33387,33926,32802,32346,32620,32976,32487,33482,33413,  
33082,32964,32234,32381,33656,33217,33875,33003,31837,32798,  
33465,34332,31959,32274,32813,33721,31950,34063,34170,32092,  
32176,33740,31902,32643,34188,33334,32300,33153,33623,32914,  
32026,32456,33703,34305,32858,31573,32294,34255,34280,31662,  
32526,32891,32759,34028,33361,32291,33456,33280,31932,32369,  
33057,33570,34093,33415,33039,32710,32143,32347,32834,32667,  
33905,33994,32760,31900,33864,33824,32267,32731,31961,32474,  
34542,33578,31596,33426,33241,32526,33741,32816,32211,32460,  
34575,33328,32501,32331,33378,33004,32770,32719,32984,33819,

33002,32913,32726,32737,32924,33980,32923,32376,33606,33397,  
31745,32733,32578,33127,33299,33340,33278,34352,33693,31614,  
32121,32030,33675,34114,32932,32781,31967,33635,33551,33134,  
32779,33168,32164,33040,33075,33605,32507,32964,33082,33263,  
33024,33291,32793,32935,32978,32649,32805,34202,32842,32422,  
32710,32661,33384,32977,32616,33042,33366,33679,33071,33068,  
32533,32167,32880,32926,33710,33863,32215,32692,33887,33168,  
31973,32702,32713,33148,33509,32494,33126,32902,33777,33854,  
33048,31772,33018,33033,32854,33115,33053,32865,32709,33004,  
33565,33560,32370,33013,33340,33140,32014,32223,33612,33809,  
32375,32596,33885,33191,33222,33194,32231,32516,32475,32886,  
33542,33065,33048,33332,33673,32938,32044,32113,33339,33056,  
32636,33000,33750,33389,33446,33537,31901,32791,32884,32044,  
33021,33499,33060,32917,33041,33458,32865,32860,33117,32889,  
32526,32828,33049,32730,33350,33285,32738,32685,33016,33548,  
33567,33073,32182,32493,33392,32706,32639,33053,33553,32608,  
32494,33404,33098,33406,32646,32109,32981,33449,33205,32504,  
33400,33687,31959,32738,33038,32742,33111,33022,32844,32701,  
33338,33250,33155,33025,32708,32603,33262,33202,32041,32664,  
33359,32543,32206,33552,33826,32876,33145,32922,33186,32782,  
32745,32189,31842,33144,34243,33619,32143,32819,33189,32832,  
33228,32977,31957,32795,33048,33293,33102,32759,32841,33380,  
33278,32961,32898,32476,32256,32689,33387,33146,33549,33001,  
32636,33795,32578,32095,32547,32907,33357,32228,32389,33694,  
33483,32623,33262,33811,32790,32334,32186,32748,32623,32443,  
33440,33816,33356,32804,32602,32889,32918,32744,32677,32348,  
32567,33412,33189,33121,34082,32579,32029,32759,32633,32403,  
33636,32833,32862,33646,32720,32620,32697,33037,33007,32706,  
32801,33037,32963,32601,33137,33327,33193,32918,32925,32102,  
32614,33071,32818,32924,32974,33019,33173,32901

);

type num\_0\_dis is array ( 0 to 8) of unsigned ( 0 to 8);

constant num\_0\_begin : num\_0\_dis := (

```
"00000000",
"000111000",
"001001100",
"011000110",
"011000110",
"011000110",
"001100100",
"000111000",
"000000000"
);
type num_1_dis is array ( 0 to 8) of unsigned ( 0 to 8);
constant num_1_begin : num_1_dis := (
"000000000",
"000011000",
"000111000",
"000011000",
"000011000",
"000011000",
"000011000",
"000011000",
"001111110",
"000000000"
);
type num_2_dis is array ( 0 to 8) of unsigned ( 0 to 8);
constant num_2_begin : num_2_dis := (
"000000000",
"001111000",
"011000110",
"000000110",
"000011100",
"001110000",
"011000000",
"011111110",
"000000000"
```



```
);  
type num_3_dis is array ( 0 to 8) of unsigned ( 0 to 8);  
constant num_3_begin : num_3_dis := (  
"000000000",  
"001111110",  
"000001100",  
"000011000",  
"000111100",  
"000000110",  
"011000110",  
"001111100",  
"000000000"  
);  
type num_4_dis is array ( 0 to 8) of unsigned ( 0 to 8);  
constant num_4_begin : num_4_dis := (  
"000000000",  
"000011100",  
"000111100",  
"001101100",  
"011001100",  
"011111110",  
"000001100",  
"000001100",  
"000000000"  
);  
type num_5_dis is array ( 0 to 8) of unsigned ( 0 to 8);  
constant num_5_begin : num_5_dis := (  
"000000000",  
"011111110",  
"011000000",  
"011000000",  
"011111100",  
"000001110",
```

```
"000001110",
"011111100",
"000000000"
);
type num_6_dis is array ( 0 to 8) of unsigned ( 0 to 8);
constant num_6_begin : num_6_dis := (
"000000000",
"001111100",
"011000110",
"011000000",
"011111100",
"011000110",
"011000110",
"001111100",
"000000000"
);
type num_7_dis is array ( 0 to 8) of unsigned ( 0 to 8);
constant num_7_begin : num_7_dis := (
"000000000",
"011111110",
"000000110",
"000000110",
"000001100",
"000001100",
"000001100",
"000001100",
"000000000"
);
type num_8_dis is array ( 0 to 8) of unsigned ( 0 to 8);
constant num_8_begin : num_8_dis := (
"000000000",
"001111100",
"011000110",
```

```

"011000110",
"001111100",
"011000110",
"011000110",
"001111100",
"000000000"
);
type num_9_dis is array ( 0 to 8) of unsigned ( 0 to 8);
constant num_9_begin : num_9_dis := (
"000000000",
"001111100",
"011000110",
"011000110",
"001111100",
"000000110",
"011000110",
"001111100",
"000000000"
);
type score_dis is array ( 0 to 8) of unsigned ( 0 to 44);
constant score_begin : score_dis := (
"00000000000000000000000000000000000000000000000000000000000000000000",
"0011111000001111000011111000111110001111100011111110",
"0110001100011001100110011000110011000110011000000",
"011000000011000000011000110011000110011000000",
"001111000011000000011000110011001110011111100",
"000000110011000000011000110011111000011000000",
"011000110001100110011000110011011100011000000",
"000111100000111100001111100011001110011111110",
"00000000000000000000000000000000000000000000000000000000000000000000"
);
type life_dis is array ( 0 to 8) of unsigned ( 0 to 35);
constant life_begin : life_dis := (

```

```
"00000000000000000000000000000000",  
"01100000000111111001111110011111110",  
"01100000000011000011000000011000000",  
"011000000000011000011000000011000000",  
"011000000000011000011111100011111100",  
"011000000000011000011000000011000000",  
"011000000000011000011000000011000000",  
"011111110001111110011000000011111110",  
"00000000000000000000000000000000"
```

);

```
type arrow_dis is array ( 0 to 8) of unsigned ( 0 to 14);
```

```
constant arrow_begin : arrow_dis := (
```

```
"000000000000000",  
"011111110000000",  
"011111111100000",  
"011111111111000",  
"011111111111100",  
"011111111111110",  
"011111111111000",  
"011111111100000",  
"011111110000000",  
"000000000000000"
```

);

```
type mode_dis is array ( 0 to 19) of unsigned ( 0 to 44);
```

```
constant mode_begin : mode_dis := (
```

```
"000000000000000000000000000000000000",  
"0110001100111111100110000110000000000000000",  
"011001100011000000001100110000000000000000",  
"011011000011000000000111100000000000000000",  
"011110000011111100000011000000000000000000",  
"011011000011000000000110000000000000000000",  
"011001100011000000000110000000000000000000",  
"011000110011111110000110000000000000000000",  
"0000000000000000000000000000000000000000",
```

```
"00000000000000000000000000000000000000000000",
"00000000000000000000000000000000000000000000",
"00000000000000000000000000000000000000000000",
"001111100001111100011000110011000110011111000",
"011000110011000110011000110011100110011011100",
"011000000011000110011000110011100110011001110",
"001111000011000110011000110011010110011001110",
"000000110011000110011000110011001110011001110",
"011000110011000110011000110011001110011011100",
"000111100001111100001111100011000110011111000",
"00000000000000000000000000000000000000000000"
);
type sel_dis is array ( 0 to 8) of unsigned ( 0 to 148);
constant sel_begin : sel_dis := (
"0000100000000000000000000000000000000000000011000000000000000000
000000000000000000000000000000000000110000001000000000000000000000000000",
"00111111000000000011110000000000000000000001000000001111110000000000000000000000",
"00000100000000000000000000001111000001111000111100000000000001111000000000000000",
"0111100110000000001111000000000000000111000000111100111000000000000000000000000000",
"00011110000000000000000000011100000111110011110000000000000111000000000000000000",
"0111100110001110001111000111000011100111111000011110011100000000000000000000000000",
"001111101001110000111000011100000111110011110000000000011101110000110000100",
"01111111001110111011101110111011001110110011100000011100000000110111101111111111",
"1001111001111110111011100111000001111111111001111101110111100110011011110",
"000111110111111011110111111111100110011100000011100000001110011101111011",
"1001110000111000111011100111000001111111111011100110111001110111111100100",
"
```

















```
"01111111111111111111111111111111",
"01111111111111111111111111111111",
"01111111111111111111111111111111",
"01111111111111111111111111111110",
"00111111111111111111111111111110",
"00111111111111111111111111111110",
"00111111111111111111111111111100",
"00011111111111111111111111111100",
"0000111111111111111111111111000",
"00001111111111111111111111110000",
"000001111111111111111111111100000",
"000000111111111111111111111100000",
"000000011111111111111111111100000",
"0000000011111111111111111111000000",
"0000000001111111111111111111000000",
"00000000001111111111111111110000000",
"00000000000111111111111111110000000",
"00000000000011111111111111110000000",
"00000000000001100000000000000",
"00000000000000000000000000000",
"00000000000000000000000000000");
type super_dis_1 is array ( 0 to 33) of unsigned ( 0 to 33);
constant super_begin_1 : super_dis_1 := (
"00000000000000000000000000000000",
"00000000000000000000000000000000",
"00000000000000000000000000000000",
"00000000000000000000000000000000",
"00000000000000000000000000000000",
"000000111111111111111111111100000",
"000001111111111111111111111100000",
"00001110001111111111111111110000",
"000111001111000000001111111111000",
"00111001111000000000011111111100",
"001110011110000000000111111011100",
```



```
"00000001110000000000000000000000",
"0000001100001111111110000000000000",
"000001100001111111111000000100000",
"000011100001111111111000000110000",
"00011100000111111111100000111000",
"0000110000000011111111111110000",
"0000010000000000000000001111100000",
"000000000000000000000000011000000",
"00000000000000000000000000000000",
"00000000000000000000000000000000",
"00000000011111111100000000000000",
"00000000001111111111000000000000",
"0000000000000000001111110000000000",
"0000000000000000000111000000000000",
"00000000000000000000000000000000",
"00000000000000000000000000000000",
"00000000000001000000000000000000",
"00000000000000111111000000000000",
"00000000000000011110000000000000",
"00000000000000001110000000000000",
"00000000000000000100000000000000",
"00000000000000000000000000000000",
"00000000000000000000000000000000",
"00000000000000000000000000000000",
"00000000000000000000000000000000",
"00000000000000000000000000000000",
"00000000000000000000000000000000",
"00000000000000000000000000000000",
"00000000000000000000000000000000",
"00000000000000000000000000000000",
"00000000000000000000000000000000");
type laser_dis_1 is array ( 0 to 33) of unsigned ( 0 to 33);
constant laser_begin_1 : laser_dis_1 := (
"00000000000000011110000000000000",
"00000000000000011111000000000000",
"00000000000000011111100000000000",
"000000000001111111100000000000",
```

```
"0000000011110001111000111100000000",
"0000000111010001111000001110000000",
"0000000110000001111000000110000000",
"0000011100000001111000000011100000",
"0000111000000001111000000001110000",
"0000110000000001111000000000110000",
"0000100000000001111000000000010000",
"0001110000000001111000000000011000",
"0001000000000001111000000000001000",
"0011000000000001111000000000001100",
"0111000000000001111000000000001110",
"11111111111111111111111111111111",
"11111111111111111111111111111111",
"11111111111111111111111111111111",
"11111111111111111111111111111111",
"0111000000000001111000000000001110",
"0001000000000001111000000000001000",
"0001000000000001111000000000001000",
"0001100000000001111000000000011000",
"0000110000000001111000000000010000",
"0000110000000001111000000000110000",
"0000111000000001111000000001110000",
"000000110000000111100000011100000",
"000000011000000111100000011000000",
"000000011100000111100000110000000",
"00000001111000111100011110000000",
"00000000000111111111110000000000",
"00000000000001111111000000000000",
"00000000000000111111000000000000",
"00000000000000011110000000000000");
type laser_dis_2 is array ( 0 to 33) of unsigned ( 0 to 33);
constant laser_begin_2 : laser_dis_2 := (
"00000000000000000000000000000000",
```





type stone\_dis\_1 is array ( 0 to 33) of unsigned ( 0 to 33);

constant stone\_begin\_1 : stone\_dis\_1 := (

"00000000000111111000000000000000" ,  
"00000000011111111111000000000000" ,  
"00000001111111111111000000000000" ,  
"00000011111111111111100000000000" ,  
"00000111111111111111110000000000" ,  
"00001110001111111111111000000000" ,  
"00011100000111111111111100000000" ,  
"00111000000011111111111110000000" ,  
"00110000000001111111111110000000" ,  
"01100000000000111111111111000000" ,  
"01100000000001111111111111000000" ,  
"11111000000011111111111111100000" ,  
"1111110001111111111110011111100000" ,  
"11111111111111111111000001111100000" ,  
"11111111111111111111000000111100000" ,  
"111111111111111111110000000111100000" ,  
"11111111111111111111100111111100000" ,  
"11111111111111111111111111100000" ,  
"011111111111111111111111111000000" ,  
"000001111111111111111111111000000" ,  
"000000011111111111111111111000000" ,  
"000000111111111111111111111000000" ,  
"000001111111111111111100000000000" ,  
"000011111111111111111100000000000" ,  
"000001111111111111111100000000000" ,  
"000000111111111111111100000000000" ,  
"000000000001111110000000000000000" ,  
"000000000000000000000000000000000" ,  
"000000000000000000000000000000000" ,

```
"00000000000000000000000000000000" ,
"00000000000000000000000000000000" ,
"00000000000000000000000000000000");
type stone_dis_2 is array ( 0 to 33) of unsigned ( 0 to 33);
constant stone_begin_2 : stone_dis_2 := (
"00000000000000000000000000000000" ,
"00000000000000000000000000000000" ,
"00000000000000000000000000000000" ,
"00000000000000000000000000000000" ,
"00000000000000000000000000000000" ,
"00000001110000000000000000000000" ,
"00000011111000000000000000000000" ,
"00000111111100000000000000000000" ,
"00001111111110000000000000000000" ,
"00011111111111000000000000000000" ,
"00011111111111000000000000000000" ,
"00001111111100000000000000000000" ,
"00000011100000000001100000000000" ,
"00000000000000000011111000000000" ,
"000000000000000000011111100000000" ,
"000000000000000000011111000000000" ,
"000000000000000000001100000000000" ,
"00000000000000000000000000000000" ,
"00000000000000000000000000000000" ,
"01111000000000000000000000000000" ,
"00111110000000000000000000000000" ,
"00111100000000000000000000000000" ,
"0001100000000000000000011110000000" ,
"000000000000000000000111100000000" ,
"000000000000000000000111100000000" ,
"000000000000000000000110000000000" ,
"00000000000000000000000000000000" ,
"00000000000000000000000000000000" ,
"00000000000000000000000000000000" ,
```



```
"00000000011111111110000111111111111111111111000000000000",
"0000000000000000000000000000000111111111111111111111000000000000",
"0000000000000000000000000000000111111111111111111111000000000000",
"00000000000000000000000000000001111111111111111100000000000000",
"00000000000000000000000000000001111111100000000000000000000",
"000000000000000000000000000000000000000000000000000000000000"
```

);

type hit\_dis\_1 is array ( 0 to 33) of unsigned ( 0 to 33);

constant hit\_begin\_1 : hit\_dis\_1 := (

```
"00000000011000000000000000000000" ,
"00001111111111000000000000000000" ,
"00111111111111000000000110000000" ,
"00111111111111000000001111000000" ,
"01111111111111100000011111000000" ,
"111111111111111000011111100000" ,
"01111111111110000000011111000000" ,
"0001111111100000000001111000000" ,
"00000110000000000000000000000000" ,
"00000000000000000000000000000000" ,
"00000000000000000111111100000000" ,
"00000000000000001111111100000000" ,
"00000000000000001111111100000000" ,
"00000000000000000110000000000000" ,
"00000011110000000000000000000000" ,
"11111111110000000000000000000000" ,
"11111111110000000000000000000000" ,
"01111111111111000000000000000000" ,
"00111111111111000000000000000000" ,
"001111111111110000000011100000" ,
"0001111111110000110001111100000" ,
"000111111110000011111111000000" ,
"000001111000000111111111000000" ,
"0000000000001111111111000000" ,
```

```
"00000000000011111111111110000000" ,  
"00000000000011111111111110000000" ,  
"0000000000001111111111111000000000" ,  
"00000000000011111000000000000000" ,  
"00000000000000000000000000000000" ,  
"00000000000000000000000000000000" ,  
"00000000000000000000000000000000" ,  
"00000000000000000000000000000000" ,  
"00000000000000000000000000000000" ,  
"00000000000000000000000000000000" )
```

;

type hit\_dis\_2 is array ( 0 to 33) of unsigned ( 0 to 33);

```
constant hit_begin_2 : hit_dis_2 := (  
"0000000000000000000000001100000" ,  
"00000001110000000000000011111000" ,  
"000000111111110000000001111111110" ,  
"000001111111111111000011111111110" ,  
"000011111111111111000111111111110" ,  
"000111111111111111000011111111110" ,  
"0011111111111111000000001111111000" ,  
"011111111111000000000000000000000" ,  
"111111100000000000000000000000000" ,  
"111110000000000000000000000000000" ,  
"01100000000000000000000000000001100" ,  
"0000000000000000000000001111110" ,  
"00000000000000000000000011111110" ,  
"000000000000000000000000111111111" ,  
"000000000000000000000000111111110" ,  
"000000000000000000000000111111100" ,  
"00000000000000000000000011111000" ,  
"000000111000000000000000001110000" ,  
"00000111111000000000000000000000" ,  
"00001111111100000000000000000000" ,
```

```

"0001111111111100000000000000000000" ,
"0011111111111100000000000000000000" ,
"0011111111111110000000000000000000" ,
"011111111111111000000000000111110" ,
"01111111111111100000000111111111" ,
"0111111111111110000111111111111" ,
"0011111111111110001111111111111" ,
"00111111111111100000111111111110" ,
"00011111111111100000111111111100" ,
"001111111111111000000111111111000" ,
"00011111111110000000011111110000" ,
"000011111111100000000001111110000" ,
"00000011111000000000000111100000" ,
"00000000000000000000000000000000" )
;

-- Signals for the video controller
signal Hcount : unsigned(9 downto 0); -- Horizontal position (0-800)
signal Vcount : unsigned(9 downto 0); -- Vertical position (0-524)
signal EndOfLine, EndOfField : std_logic;

signal vga_hblank, vga_hsync,
       vga_vblank, vga_vsync : std_logic; -- Sync. signals

-- signal rectangle_h, rectangle_v, rectangle : std_logic; -- rectangle area
signal sel : std_logic;
signal score : std_logic;
signal arrow : std_logic;
signal mode : std_logic;
signal life : std_logic;
signal life_num : std_logic;
signal life_number : unsigned(1 downto 0) := "11";
signal score_num1 : std_logic;
signal score_number1 : unsigned(3 downto 0) := "0000";

```

```
signal score_num2 : std_logic;
signal score_number2 : unsigned(3 downto 0) := "0000";
signal score_num3 : std_logic;
signal score_number3 : unsigned(3 downto 0) := "0000";
signal score_num4 : std_logic;
signal score_number4 : unsigned(3 downto 0) := "0000";
signal plane_1 : std_logic;
signal plane_2 : std_logic;
signal plane_3 : std_logic;
signal plane_4 : std_logic;
signal explode : std_logic;
signal missile_11 : std_logic;
signal missile_12 : std_logic;
signal missile_21 : std_logic;
signal missile_22 : std_logic;
signal stone_11 : std_logic;
signal stone_12 : std_logic;
signal stone_21 : std_logic;
signal stone_22 : std_logic;
signal stone_31 : std_logic;
signal stone_32 : std_logic;
signal stone_41 : std_logic;
signal stone_42 : std_logic;
signal stone_dir_1 :std_logic :='0';
signal stone_dir_2 :std_logic :='0';
signal stone_dir_3 :std_logic :='0';
signal stone_dir_4 :std_logic :='0';
signal sel_h_start : unsigned(9 downto 0) := "0011111101";
signal sel_v_start : unsigned(9 downto 0) := "0110101001";
signal life_h_start : unsigned(9 downto 0) := "0110010000";
signal life_v_start : unsigned(9 downto 0) := "0000000001";
signal life_num_h_start : unsigned(9 downto 0) := "0110111000";
signal life_num_v_start : unsigned(9 downto 0) := "0000000001";
```



```
signal score_num1_h_start : unsigned(9 downto 0) := "0011011100";
signal score_num1_v_start : unsigned(9 downto 0) := "0000000001";
signal score_num2_h_start : unsigned(9 downto 0) := "0011100110";
signal score_num2_v_start : unsigned(9 downto 0) := "0000000001";
signal score_num3_h_start : unsigned(9 downto 0) := "0011110000";
signal score_num3_v_start : unsigned(9 downto 0) := "0000000001";
signal score_num4_h_start : unsigned(9 downto 0) := "0011111010";
signal score_num4_v_start : unsigned(9 downto 0) := "0000000001";
signal score_h_start : unsigned(9 downto 0) := "0010101010";
signal score_v_start : unsigned(9 downto 0) := "0000000001";
signal arrow_h_start : unsigned(9 downto 0) := "0011111101";
signal arrow_v_start : unsigned(9 downto 0) := "0010111010";
signal mode_h_start : unsigned(9 downto 0) := "0100001110";
signal mode_v_start : unsigned(9 downto 0) := "0110111001";
signal plane_h_start : unsigned(9 downto 0) := "0000001101";
signal plane_v_start : unsigned(9 downto 0) := "0110111000";
signal missile_h_start_1 : unsigned(9 downto 0) := "0001001011";
signal missile_v_start_1 : unsigned(9 downto 0) := "0000001000";
signal missile_h_start_2 : unsigned(9 downto 0) := "0001001011";
signal missile_v_start_2 : unsigned(9 downto 0) := "0000001000";
signal stone_h_start_1 : unsigned(9 downto 0) := "0101001101";--333
signal stone_v_start_1 : unsigned(9 downto 0) := "0000100101";--37
signal stone_h_start_2 : unsigned(9 downto 0) := "0010101010";--170
signal stone_v_start_2 : unsigned(9 downto 0) := "0011001000";--200
signal stone_h_start_3 : unsigned(9 downto 0) := "0111110100";--500
signal stone_v_start_3 : unsigned(9 downto 0) := "0100101100";--300
signal stone_h_start_4 : unsigned(9 downto 0) := "0100101100";--300
signal stone_v_start_4 : unsigned(9 downto 0) := "0110111000";--440
constant sel_length : integer := 149;
constant sel_height : integer := 9;
constant num_length : integer := 9;
constant num_height : integer := 9;
constant score_length : integer := 45;
```

```
constant score_height : integer := 9;
constant life_length : integer := 36;
constant life_height : integer := 9;
constant arrow_length : integer := 15;
constant arrow_height : integer := 9;
constant mode_length : integer := 45;
constant mode_height : integer := 20;
constant plane_length : integer := 61;
constant plane_height : integer := 31;
constant missile_length : integer := 55;
constant missile_height : integer := 15;
constant stone_length : integer := 34;
constant stone_height : integer := 34;
signal clk_vga: std_logic := '0';
--signal clk_control: std_logic := '0';
signal key_debounce:std_logic_vector(3 downto 0):="1111";
signal up_debounce: std_logic := '0';
signal down_debounce: std_logic := '0';
signal pah_debounce: std_logic := '0';
signal hold_debounce: std_logic := '0';
signal beginning_disp: std_logic := '1';
signal end_disp: std_logic := '0';
signal missile_disp_1: std_logic := '0';
signal missile_disp_2: std_logic := '0';
signal plane_disp: std_logic := '0';
signal stone_disp_1: std_logic := '0';
signal stone_disp_2: std_logic := '0';
signal stone_disp_3: std_logic := '0';
signal stone_disp_4: std_logic := '0';
signal hit_disp_11: std_logic := '0';
signal hit_disp_12: std_logic := '0';
signal hit_disp_21: std_logic := '0';
signal hit_disp_22: std_logic := '0';
```

```
signal hit_disp_31: std_logic := '0';
signal hit_disp_32: std_logic := '0';
signal hit_disp_41: std_logic := '0';
signal hit_disp_42: std_logic := '0';
signal explode_disp: std_logic := '0';
signal explode_cor: unsigned(1 downto 0) := "00";
signal key_mode: std_logic :='0';
signal sound_mode: std_logic :='0';
signal sel_mode: std_logic :='0';
signal game_mode: std_logic :='0';
signal back_num : integer :=0 ;
signal vga_sel : unsigned(1 downto 0) := "00";
signal back_intro_num : integer :=0 ;
signal back_end_num : integer :=0 ;
signal vga_intro_sel : unsigned(1 downto 0) := "00";
signal vga_end_sel : unsigned(1 downto 0) := "00";
--signal stone_count : integer :=0;
signal power_up : std_logic :='0';
signal life_up : std_logic :='0';
signal wudi : std_logic :='0';
signal heart_disp : std_logic :='0';
signal power_disp : std_logic :='0';
signal wudi_disp : std_logic :='0';
signal wudi_eff : std_logic :='0';
signal power_eff : std_logic :='0';
signal laser_disp : std_logic :='0';
signal laser : std_logic :='0';
-- signal back_count : integer :=0 ;
signal count_back_h: integer:=0;
signal sound_missle_on : std_logic :='0';
signal sound_hit_on : std_logic :='0';
signal sound_explode_on : std_logic :='0';
signal sound_special_on : std_logic :='0';
```

```

begin

    process (clk)
        --variable count_clk: unsigned (8 downto 0):= "000000000";
        begin
            if rising_edge(clk) then
                clk_vga <= not clk_vga;
                -- count_clk := count_clk + 1;
                -- if count_clk = "11111111" then
                --     clk_control <= not clk_control;
                -- end if;
            end if;

        end process;

        -- -- Communicate with MEM
        -- MEM : process (clk)
        -- begin
        -- if rising_edge (clk) then
        -- if reset_n = '0' then
        --     plane_h_start <= (others => '0');
        --     plane_v_start <= (others => '0');
        --     missile_h_start_1 <= (others => '0');
        --     missile_v_start_1 <= (others => '0');
        --     missile_h_start_2 <= (others => '0');
        --     missile_v_start_2 <= (others => '0');
        --     stone_h_start_1 <= (others => '0');
        --     stone_v_start_1 <= (others => '0');
        --     stone_h_start_2 <= (others => '0');
        --     stone_v_start_2 <= (others => '0');
        --     stone_h_start_3 <= (others => '0');
        --     stone_v_start_3 <= (others => '0');
        --     stone_h_start_4 <= (others => '0');
    
```

```

--      stone_v_start_4 <= (others => '0');
--  else
--      if chipselect = '1' then
--          if write = '1' then
--              if address = "00000" then
--                  plane_h_start <= unsigned(writedata (9 downto 0));
--              elsif address = "00001" then
--                  plane_v_start <= unsigned(writedata (9 downto 0));
--              elsif address = "00010" then
--                  missile_h_start_1 <= unsigned(writedata (9 downto 0));
--              elsif address = "00011" then
--                  missile_v_start_1 <= unsigned(writedata (9 downto 0));
--              elsif address = "00100" then
--                  missile_h_start_2 <= unsigned(writedata (9 downto 0));
--              elsif address = "00101" then
--                  missile_v_start_2 <= unsigned(writedata (9 downto 0));
--              elsif address = "00110" then
--                  stone_v_start_1 <= unsigned(writedata (9 downto 0));
--              elsif address = "00111" then
--                  stone_v_start_1 <= unsigned(writedata (9 downto 0));
--              elsif address = "01000" then
--                  stone_v_start_2 <= unsigned(writedata (9 downto 0));
--              elsif address = "01001intro" then
--                  stone_v_start_2 <= unsigned(writedata (9 downto 0));
--              elsif address = "01010" then
--                  stone_v_start_3 <= unsigned(writedata (9 downto 0));
--              elsif address = "01011" then
--                  stone_v_start_3 <= unsigned(writedata (9 downto 0));
--              elsif address = "01100" then
--                  stone_v_start_4 <= unsigned(writedata (9 downto 0));
--              elsif address = "01101" then
--                  stone_v_start_4 <= unsigned(writedata (9 downto 0));
--          end if;

```

```

--          end if;
--      end if;
--  end if;
--  end if;
--  end process MEM;

-- Horizontal and vertical counters

HCounter : process (clk_vga)
begin
  if rising_edge(clk_vga) then
    if reset_n = '0' then
      Hcount <= (others => '0');
    elsif EndOfLine = '1' then
      Hcount <= (others => '0');
    else
      Hcount <= Hcount + 1;
    end if;
  end if;
end process HCounter;

EndOfLine <= '1' when Hcount = HTOTAL - 1 else '0';

VCounter: process (clk_vga)
variable back_end:integer:=0;
begin
  if rising_edge(clk_vga) then
    if reset_n = '0' then
      Vcount <= (others => '0');
    elsif EndOfLine = '1' then
      if EndOfField = '1' then
        Vcount <= (others => '0');
        if count_back_h = 636 then

```

```

        count_back_h <= 0;
        else count_back_h <= count_back_h + 4;
        end if;
    else
        Vcount <= Vcount + 1;
    end if;
end if;
end if;
end process VCounter;

EndOfField <= '1' when Vcount = VTOTAL - 1 else '0';

-- State machines to generate HSYNC, VSYNC, HBLANK, and VBLANK

HSyncGen : process (clk_vga)
begin
    if rising_edge(clk_vga) then
        if reset_n = '0' or EndOfLine = '1' then
            vga_hsync <= '1';
        elsif Hcount = HSYNC - 1 then
            vga_hsync <= '0';
        end if;
    end if;
end process HSyncGen;

HBlankGen : process (clk_vga)
begin
    if rising_edge(clk_vga) then
        if reset_n = '0' then
            vga_hblank <= '1';
        elsif Hcount = HSYNC + HBACK_PORCH then
            vga_hblank <= '0';
        elsif Hcount = HSYNC + HBACK_PORCH + HACTIVE then

```

```
        vga_hblank <= '1';
    end if;
end if;
end process HBlankGen;
```

```
VSyncGen : process (clk_vga)
begin
    if rising_edge(clk_vga) then
        if reset_n = '0' then
            vga_vsync <= '1';
        elsif EndOfLine = '1' then
            if EndOfField = '1' then
                vga_vsync <= '1';
            elsif Vcount = VSYNC - 1 then
                vga_vsync <= '0';
            end if;
        end if;
    end if;
end process VSyncGen;
```

```
VBlankGen : process (clk_vga)
begin
    if rising_edge(clk_vga) then
        if reset_n = '0' then
            vga_vblank <= '1';
        elsif EndOfLine = '1' then
            if Vcount = VSYNC + VBACK_PORCH - 1 then
                vga_vblank <= '0';
            elsif Vcount = VSYNC + VBACK_PORCH + VACTIVE - 1 then
                vga_vblank <= '1';
            end if;
        end if;
    end if;
end process VBlankGen;
```



```

end process VBlankGen;

-- send addr
addrsend : process(clk_vga)

begin
  if rising_edge(clk_vga) then
    if game_mode = '1' then
      if vga_sel = "11" then
        vga_sel <= "00";
        VGA_ADDR <= std_logic_vector(to_unsigned(back_num, 18));
      else vga_sel <= vga_sel + 1;
      end if;
    end if;
    if beginning_disp = '1' then
      if vga_intro_sel = "11" then
        vga_intro_sel <= "00";
        VGA_ADDR <= std_logic_vector(to_unsigned(back_intro_num, 18));
      else vga_intro_sel <= vga_intro_sel + 1;
      end if;
    end if;
    if end_disp = '1' then
      if vga_end_sel = "11" then
        vga_end_sel <= "00";
        VGA_ADDR <= std_logic_vector(to_unsigned(back_end_num, 18));
      else vga_end_sel <= vga_end_sel + 1;
      end if;
    end if;
  end if;
end process addrsend;

-- back_disp
back_con : process(clk_vga)

```

```

variable count_back: integer:=0;
--variable count_back_h: integer:=0;
  --variable back_num : integer ;
--17301504 +76800
  begin

    if rising_edge(clk_vga) then
      --back_num <= (TO_INTEGER(Vcount)-VSYNC-VBACK_PORCH) * 640 +
TO_INTEGER(Hcount)-HSYNC-HBACK_PORCH;
      --VGA_ADDR <= std_logic_vector(to_unsigned(back_num, 18));
      --if EndOfField = '1' then
--
      if count_back_h = 636 then
--
      count_back_h := 0;
--
      else count_back_h := count_back_h + 4;
--
      end if;
      --count_back := 0;
--else count_back := count_back + 1;
--end if;
      if TO_INTEGER(Hcount)-HSYNC-HBACK_PORCH > (479 - count_back_h) then
        back_num <= ((TO_INTEGER(Vcount)-VSYNC-VBACK_PORCH) * 640 +
TO_INTEGER(Hcount)-HSYNC-HBACK_PORCH - (639-count_back_h+1))/4;
      else
        back_num <= ((TO_INTEGER(Vcount)-VSYNC-VBACK_PORCH) * 640 +
TO_INTEGER(Hcount)-HSYNC-HBACK_PORCH+count_back_h)/4;
      end if;
      back_intro_num <= ((TO_INTEGER(Vcount)-VSYNC-VBACK_PORCH) * 640 +
TO_INTEGER(Hcount)-HSYNC-HBACK_PORCH+307200+4)/4;
      back_end_num <= ((TO_INTEGER(Vcount)-VSYNC-VBACK_PORCH) * 640 +
TO_INTEGER(Hcount)-HSYNC-HBACK_PORCH+614400+4)/4;
--
      VGA_ADDR(0)<= back_num(0);
--
      VGA_ADDR(1)<= back_num(1);
--
      VGA_ADDR(2)<= back_num(2);
--
      VGA_ADDR(3)<= back_num(3);

```

```

--      VGA_ADDR(4)<= back_num(4);
--      VGA_ADDR(5)<= back_num(5);
--      VGA_ADDR(6)<= back_num(6);
--      VGA_ADDR(7)<= back_num(7);
--      VGA_ADDR(8)<= back_num(8);
--      VGA_ADDR(9)<= back_num(9);
--      VGA_ADDR(10)<= back_num(10);
--      VGA_ADDR(11)<= back_num(11);
--      VGA_ADDR(12)<= back_num(12);
--      VGA_ADDR(13)<= back_num(13);
--      VGA_ADDR(14)<= back_num(14);
--      VGA_ADDR(15)<= back_num(15);
--      VGA_ADDR(16)<= back_num(16);
--      VGA_ADDR(17)<= back_num(17);
      end if;
end process back_con;

-- sel_disp
sel_con : process(clk_vga)

variable sel_boundary : unsigned ( 0 to 148 ) ;
variable sel_h_extra : unsigned ( 9 downto 0 ) ;
variable sel_v_extra : unsigned ( 9 downto 0 ) ;

begin
  if rising_edge(clk_vga) then
    if reset_n = '0' then
      sel <= '0';
    elsif Hcount > HSYNC + HBACK_PORCH + sel_h_start - 1 and Vcount > VSYNC
+ VBACK_PORCH + sel_v_start - 1 and Hcount < HSYNC + HBACK_PORCH +
sel_h_start + sel_length and Vcount < VSYNC + VBACK_PORCH + sel_v_start +
sel_height then
      sel_h_extra := Hcount - HSYNC - HBACK_PORCH - sel_h_start ;

```

```

sel_v_extra := Vcount - VSYNC - VBACK_PORCH - sel_v_start ;
if beginning_disp = '1' then
    sel_boundary := (others => '0') ;
    sel_boundary := sel_begin(TO_INTEGER(sel_v_extra)) ;
    if sel_boundary(TO_INTEGER(sel_h_extra)) = '1' then
        sel <= '1' ;
    elsif sel_boundary(TO_INTEGER(sel_h_extra)) = '0' then
        sel <= '0' ;
    end if ;
end if ;
else
    sel <= '0' ;
end if ;
end if ;
end process sel_con ;

-- mode_disp
mode_con : process(clk_vga)

variable mode_boundary : unsigned ( 0 to 44 ) ;
variable mode_h_extra : unsigned ( 9 downto 0 ) ;
variable mode_v_extra : unsigned ( 9 downto 0 ) ;

begin
    if rising_edge(clk_vga) then
        if reset_n = '0' then
            mode <= '0' ;
        elsif Hcount > HSYNC + HBACK_PORCH + mode_h_start - 1 and Vcount >
VSYNC + VBACK_PORCH + mode_v_start - 1 and Hcount < HSYNC + HBACK_PORCH
+ mode_h_start + mode_length and Vcount < VSYNC + VBACK_PORCH + mode_v_start +
mode_height then
            mode_h_extra := Hcount - HSYNC - HBACK_PORCH - mode_h_start ;
            mode_v_extra := Vcount - VSYNC - VBACK_PORCH - mode_v_start ;

```

```

    if beginning_disp = '1' then
        mode_boundary := (others => '0') ;
        mode_boundary := mode_begin(TO_INTEGER(mode_v_extra)) ;
        if mode_boundary(TO_INTEGER(mode_h_extra)) = '1' then
            mode <= '1' ;
        elsif mode_boundary(TO_INTEGER(mode_h_extra)) = '0' then
            mode <= '0' ;
        end if ;
    end if;
else
    mode <= '0';
end if ;
end if ;
end process mode_con;

-- arrow_disp
arrow_con : process(clk_vga)

    variable arrow_boundary : unsigned ( 0 to 14 ) ;
    variable arrow_h_extra : unsigned ( 9 downto 0 ) ;
    variable arrow_v_extra : unsigned ( 9 downto 0 ) ;

begin
    if rising_edge(clk_vga) then
        if reset_n = '0' then
            arrow <= '0';
        elsif Hcount > HSYNC + HBACK_PORCH + arrow_h_start - 1 and Vcount >
VSYNC + VBACK_PORCH + arrow_v_start - 1 and Hcount < HSYNC + HBACK_PORCH
+ arrow_h_start + arrow_length and Vcount < VSYNC + VBACK_PORCH + arrow_v_start
+ arrow_height then
            arrow_h_extra := Hcount - HSYNC - HBACK_PORCH - arrow_h_start ;
            arrow_v_extra := Vcount - VSYNC - VBACK_PORCH - arrow_v_start ;
            if beginning_disp = '1' then

```

```

        arrow_boundary := (others => '0') ;
        arrow_boundary := arrow_begin(TO_INTEGER(arrow_v_extra)) ;
        if arrow_boundary(TO_INTEGER(arrow_h_extra)) = '1' then
            arrow <= '1' ;
        elsif arrow_boundary(TO_INTEGER(arrow_h_extra)) = '0' then
            arrow <= '0' ;
        end if ;
    end if;

else
    arrow <= '0';
end if ;

end if ;
end process arrow_con;

-- score_disp
score_con : process(clk_vga)

variable score_boundary : unsigned ( 0 to 44 ) ;
variable score_h_extra : unsigned ( 9 downto 0 ) ;
variable score_v_extra : unsigned ( 9 downto 0 ) ;

begin
    if rising_edge(clk_vga) then
        if reset_n = '0' then
            score <= '0';
        elsif Hcount > HSYNC + HBACK_PORCH + score_h_start - 1 and Vcount >
VSYNC + VBACK_PORCH + score_v_start - 1 and Hcount < HSYNC + HBACK_PORCH
+ score_h_start + score_length and Vcount < VSYNC + VBACK_PORCH + score_v_start +
score_height then
            score_h_extra := Hcount - HSYNC - HBACK_PORCH - score_h_start ;
            score_v_extra := Vcount - VSYNC - VBACK_PORCH - score_v_start ;
            if game_mode = '1' then
                score_boundary := (others => '0') ;
            end if;
        end if;
    end if;
end process score_con;

```

```

        score_boundary := score_begin(TO_INTEGER(score_v_extra));
        if score_boundary(TO_INTEGER(score_h_extra)) = '1' then
            score <= '1';
        elsif score_boundary(TO_INTEGER(score_h_extra)) = '0' then
            score <= '0';
        end if;
    end if;
else
    score <= '0';
end if;
end if;
end process score_con;
-- score_num_disp
score_num1_con : process(clk_vga)

    variable score_num1_boundary : unsigned ( 0 to 8 );
    variable score_num1_h_extra : unsigned ( 9 downto 0 );
    variable score_num1_v_extra : unsigned ( 9 downto 0 );

begin
    if rising_edge(clk_vga) then
        if reset_n = '0' then
            score_num1 <= '0';
        elsif Hcount > HSYNC + HBACK_PORCH + score_num1_h_start - 1 and Vcount >
VSYNC + VBACK_PORCH + score_num1_v_start - 1 and Hcount < HSYNC +
HBACK_PORCH + score_num1_h_start + num_length and Vcount < VSYNC +
VBACK_PORCH + score_num1_v_start + num_height then
            score_num1_h_extra := Hcount - HSYNC - HBACK_PORCH -
score_num1_h_start ;
            score_num1_v_extra := Vcount - VSYNC - VBACK_PORCH -
score_num1_v_start ;
            if game_mode = '1' then
                score_num1_boundary := (others => '0');
            end if;
        end if;
    end if;
end process score_num1_con;

```

```
        if score_number1 = 0 then
            score_num1_boundary :=
num_0_begin(TO_INTEGER(score_num1_v_extra));
        elsif score_number1 = 1 then
            score_num1_boundary :=
num_1_begin(TO_INTEGER(score_num1_v_extra));
        elsif score_number1 = 2 then
            score_num1_boundary :=
num_2_begin(TO_INTEGER(score_num1_v_extra));
        elsif score_number1 = 3 then
            score_num1_boundary :=
num_3_begin(TO_INTEGER(score_num1_v_extra));
        elsif score_number1 = 4 then
            score_num1_boundary :=
num_4_begin(TO_INTEGER(score_num1_v_extra));
        elsif score_number1 = 5 then
            score_num1_boundary :=
num_5_begin(TO_INTEGER(score_num1_v_extra));
        elsif score_number1 = 6 then
            score_num1_boundary :=
num_6_begin(TO_INTEGER(score_num1_v_extra));
        elsif score_number1 = 7 then
            score_num1_boundary :=
num_7_begin(TO_INTEGER(score_num1_v_extra));
        elsif score_number1 = 8 then
            score_num1_boundary :=
num_8_begin(TO_INTEGER(score_num1_v_extra));
        elsif score_number1 = 9 then
            score_num1_boundary :=
num_9_begin(TO_INTEGER(score_num1_v_extra));
        else score_num1_boundary :=
num_9_begin(TO_INTEGER(score_num1_v_extra));
        end if;
```



```

        if score_num1_boundary(TO_INTEGER(score_num1_h_extra)) = '1' then
            score_num1 <= '1' ;
        elsif score_num1_boundary(TO_INTEGER(score_num1_h_extra)) = '0'
then
            score_num1 <= '0' ;
        end if ;
    end if;
else
    score_num1 <= '0';
    end if ;
end if ;
end process score_num1_con;
score_num2_con : process(clk_vga)

variable score_num2_boundary : unsigned ( 0 to 8 ) ;
variable score_num2_h_extra : unsigned ( 9 downto 0 ) ;
variable score_num2_v_extra : unsigned ( 9 downto 0 ) ;

begin
    if rising_edge(clk_vga) then
        if reset_n = '0' then
            score_num2 <= '0';
        elsif Hcount > HSYNC + HBACK_PORCH + score_num2_h_start - 1 and Vcount >
VSYNC + VBACK_PORCH + score_num2_v_start - 1 and Hcount < HSYNC +
HBACK_PORCH + score_num2_h_start + num_length and Vcount < VSYNC +
VBACK_PORCH + score_num2_v_start + num_height then
            score_num2_h_extra := Hcount - HSYNC - HBACK_PORCH -
score_num2_h_start ;
            score_num2_v_extra := Vcount - VSYNC - VBACK_PORCH -
score_num2_v_start ;
            if game_mode = '1' then
                score_num2_boundary := (others => '0') ;
                if score_number2 = 0 then

```

```

        score_num2_boundary :=
num_0_begin(TO_INTEGER(score_num2_v_extra)) ;
        elsif score_number2 = 1 then
            score_num2_boundary :=
num_1_begin(TO_INTEGER(score_num2_v_extra)) ;
        elsif score_number2 = 2 then
            score_num2_boundary :=
num_2_begin(TO_INTEGER(score_num2_v_extra)) ;
        elsif score_number2 = 3 then
            score_num2_boundary :=
num_3_begin(TO_INTEGER(score_num2_v_extra)) ;
        elsif score_number2 = 4 then
            score_num2_boundary :=
num_4_begin(TO_INTEGER(score_num2_v_extra)) ;
        elsif score_number2 = 5 then
            score_num2_boundary :=
num_5_begin(TO_INTEGER(score_num2_v_extra)) ;
        elsif score_number2 = 6 then
            score_num2_boundary :=
num_6_begin(TO_INTEGER(score_num2_v_extra)) ;
        elsif score_number2 = 7 then
            score_num2_boundary :=
num_7_begin(TO_INTEGER(score_num2_v_extra)) ;
        elsif score_number2 = 8 then
            score_num2_boundary :=
num_8_begin(TO_INTEGER(score_num2_v_extra)) ;
        elsif score_number2 = 9 then
            score_num2_boundary :=
num_9_begin(TO_INTEGER(score_num2_v_extra)) ;
        end if;
        if score_num2_boundary(TO_INTEGER(score_num2_h_extra)) = '1' then
            score_num2 <= '1' ;

```

```

        elsif score_num2_boundary(TO_INTEGER(score_num2_h_extra)) = '0'
then
        score_num2 <= '0' ;
        end if ;
    end if;
else
score_num2 <= '0';
end if ;
end if ;
end process score_num2_con;
score_num3_con : process(clk_vga)

variable score_num3_boundary : unsigned ( 0 to 8 ) ;
variable score_num3_h_extra : unsigned ( 9 downto 0 ) ;
variable score_num3_v_extra : unsigned ( 9 downto 0 ) ;

begin
    if rising_edge(clk_vga) then
        if reset_n = '0' then
            score_num3 <= '0';
            elsif Hcount > HSYNC + HBACK_PORCH + score_num3_h_start - 1 and Vcount >
VSYNC + VBACK_PORCH + score_num3_v_start - 1 and Hcount < HSYNC +
HBACK_PORCH + score_num3_h_start + num_length and Vcount < VSYNC +
VBACK_PORCH + score_num3_v_start + num_height then
                score_num3_h_extra := Hcount - HSYNC - HBACK_PORCH -
score_num3_h_start ;
                score_num3_v_extra := Vcount - VSYNC - VBACK_PORCH -
score_num3_v_start ;
                if game_mode = '1' then
                    score_num3_boundary := (others => '0') ;
                    if score_number3 = 0 then
                        score_num3_boundary :=
num_0_begin(TO_INTEGER(score_num3_v_extra)) ;

```

```

        elsif score_number3 = 1 then
            score_num3_boundary :=
num_1_begin(TO_INTEGER(score_num3_v_extra)) ;
        elsif score_number3 = 2 then
            score_num3_boundary :=
num_2_begin(TO_INTEGER(score_num3_v_extra)) ;
        elsif score_number3 = 3 then
            score_num3_boundary :=
num_3_begin(TO_INTEGER(score_num3_v_extra)) ;
        elsif score_number3 = 4 then
            score_num3_boundary :=
num_4_begin(TO_INTEGER(score_num3_v_extra)) ;
        elsif score_number3 = 5 then
            score_num3_boundary :=
num_5_begin(TO_INTEGER(score_num3_v_extra)) ;
        elsif score_number3 = 6 then
            score_num3_boundary :=
num_6_begin(TO_INTEGER(score_num3_v_extra)) ;
        elsif score_number3 = 7 then
            score_num3_boundary :=
num_7_begin(TO_INTEGER(score_num3_v_extra)) ;
        elsif score_number3 = 8 then
            score_num3_boundary :=
num_8_begin(TO_INTEGER(score_num3_v_extra)) ;
        elsif score_number3 = 9 then
            score_num3_boundary :=
num_9_begin(TO_INTEGER(score_num3_v_extra)) ;
        end if;
        if score_num3_boundary(TO_INTEGER(score_num3_h_extra)) = '1' then
            score_num3 <= '1' ;
        elsif score_num3_boundary(TO_INTEGER(score_num3_h_extra)) = '0'
then
            score_num3 <= '0' ;

```

```

                end if ;
            end if;
        else
            score_num3 <= '0';
            end if ;
        end if ;
end process score_num3_con;
score_num4_con : process(clk_vga)

    variable score_num4_boundary : unsigned ( 0 to 8 ) ;
    variable score_num4_h_extra : unsigned ( 9 downto 0 ) ;
    variable score_num4_v_extra : unsigned ( 9 downto 0 ) ;

begin
    if rising_edge(clk_vga) then
        if reset_n = '0' then
            score_num4 <= '0';
        elsif Hcount > HSYNC + HBACK_PORCH + score_num4_h_start - 1 and Vcount >
VSYNC + VBACK_PORCH + score_num4_v_start - 1 and Hcount < HSYNC +
HBACK_PORCH + score_num4_h_start + num_length and Vcount < VSYNC +
VBACK_PORCH + score_num4_v_start + num_height then
            score_num4_h_extra := Hcount - HSYNC - HBACK_PORCH -
score_num4_h_start ;
            score_num4_v_extra := Vcount - VSYNC - VBACK_PORCH -
score_num4_v_start ;
            if game_mode = '1' then
                score_num4_boundary := (others => '0') ;
                score_num4_boundary :=
num_0_begin(TO_INTEGER(score_num4_v_extra)) ;
                if score_num4_boundary(TO_INTEGER(score_num4_h_extra)) = '1' then
                    score_num4 <= '1' ;
                elsif score_num4_boundary(TO_INTEGER(score_num4_h_extra)) = '0'
then

```

```

        score_num4 <= '0' ;
    end if ;
end if;
else
    score_num4 <= '0';
end if ;
end if ;
end process score_num4_con;
-- life_disp
life_con : process(clk_vga)

    variable life_boundary : unsigned ( 0 to 35 ) ;
    variable life_h_extra : unsigned ( 9 downto 0 ) ;
    variable life_v_extra : unsigned ( 9 downto 0 ) ;

begin
    if rising_edge(clk_vga) then
        if reset_n = '0' then
            life <= '0';
        elsif Hcount > HSYNC + HBACK_PORCH + life_h_start - 1 and Vcount >
VSYNC + VBACK_PORCH + life_v_start - 1 and Hcount < HSYNC + HBACK_PORCH +
life_h_start + life_length and Vcount < VSYNC + VBACK_PORCH + life_v_start +
life_height then
            life_h_extra := Hcount - HSYNC - HBACK_PORCH - life_h_start ;
            life_v_extra := Vcount - VSYNC - VBACK_PORCH - life_v_start ;
            if game_mode = '1' then
                life_boundary := (others => '0') ;
                life_boundary := life_begin(TO_INTEGER(life_v_extra)) ;
                if life_boundary(TO_INTEGER(life_h_extra)) = '1' then
                    life <= '1' ;
                elsif life_boundary(TO_INTEGER(life_h_extra)) = '0' then
                    life <= '0' ;
                end if ;
            end if ;
        end if ;
    end if ;
end process ;

```

```

        end if;
    else
        life <= '0';
    end if ;
end if ;
end process life_con;

-- laser_disp
laser_con : process(clk_vga)

begin
    if rising_edge(clk_vga) then
        if reset_n = '0' then
            laser_disp <= '0';
            elsif laser = '1' and Hcount > HSYNC + HBACK_PORCH + plane_h_start + 60 and
Vcount > VSYNC + VBACK_PORCH + plane_v_start + 12 and Vcount < VSYNC +
VBACK_PORCH + plane_v_start+ 18 then
                laser_disp <= '1';
            else
                laser_disp <= '0';
            end if ;
        end if ;
    end process laser_con;

-- life_num_disp
life_num_con : process(clk_vga)

variable life_num_boundary : unsigned ( 0 to 8 ) ;
variable life_num_h_extra : unsigned ( 9 downto 0 ) ;
variable life_num_v_extra : unsigned ( 9 downto 0 ) ;

begin

```

```

if rising_edge(clk_vga) then
    if reset_n = '0' then
        life_num <= '0';
    elsif Hcount > HSYNC + HBACK_PORCH + life_num_h_start - 1 and Vcount >
VSYNC + VBACK_PORCH + life_num_v_start - 1 and Hcount < HSYNC +
HBACK_PORCH + life_num_h_start + num_length and Vcount < VSYNC +
VBACK_PORCH + life_num_v_start + num_height then
        life_num_h_extra := Hcount - HSYNC - HBACK_PORCH - life_num_h_start ;
        life_num_v_extra := Vcount - VSYNC - VBACK_PORCH - life_num_v_start ;
        if game_mode = '1' then
            life_num_boundary := (others => '0') ;
            if life_number = 0 then
                life_num_boundary :=
num_0_begin(TO_INTEGER(life_num_v_extra)) ;
            elsif life_number = 1 then
                life_num_boundary :=
num_1_begin(TO_INTEGER(life_num_v_extra)) ;
            elsif life_number = 2 then
                life_num_boundary :=
num_2_begin(TO_INTEGER(life_num_v_extra)) ;
            elsif life_number = 3 then
                life_num_boundary :=
num_3_begin(TO_INTEGER(life_num_v_extra)) ;
            elsif life_number = 4 then
                life_num_boundary :=
num_4_begin(TO_INTEGER(life_num_v_extra)) ;
            elsif life_number = 5 then
                life_num_boundary :=
num_5_begin(TO_INTEGER(life_num_v_extra)) ;
            elsif life_number = 6 then
                life_num_boundary :=
num_6_begin(TO_INTEGER(life_num_v_extra)) ;
            elsif life_number = 7 then

```



```

        life_num_boundary :=
num_7_begin(TO_INTEGER(life_num_v_extra)) ;
        elsif life_number = 8 then
            life_num_boundary :=
num_8_begin(TO_INTEGER(life_num_v_extra)) ;
        elsif life_number = 9 then
            life_num_boundary :=
num_9_begin(TO_INTEGER(life_num_v_extra)) ;
        end if;
        if life_num_boundary(TO_INTEGER(life_num_h_extra)) = '1' then
            life_num <= '1' ;
        elsif life_num_boundary(TO_INTEGER(life_num_h_extra)) = '0' then
            life_num <= '0' ;
        end if ;
    end if;
else
    life_num <= '0';
end if ;
end if ;
end process life_num_con;

```

```
-- plane generator
```

```
planeGen : process(clk_vga)
```

```

variable boundary_1 : unsigned ( 0 to 60 ) ;
variable boundary_2 : unsigned ( 0 to 60 ) ;
variable boundary_3 : unsigned ( 0 to 60 ) ;
variable boundary_4 : unsigned ( 0 to 60 ) ;
variable h_extra : unsigned ( 9 downto 0 ) ;
variable v_extra : unsigned ( 9 downto 0 ) ;

```

```
begin
```

```

if rising_edge(clk_vga) then
    if reset_n = '0' then
        plane_1 <= '0';
        plane_2 <= '0';
        plane_3 <= '0';
        plane_4 <= '0';
        explode <= '0';

        elsif Hcount > HSYNC + HBACK_PORCH + plane_h_start - 1 and Vcount >
VSYNC + VBACK_PORCH + plane_v_start - 1 and Hcount < HSYNC + HBACK_PORCH
+ plane_h_start + plane_length and Vcount < VSYNC + VBACK_PORCH + plane_v_start +
plane_height then
            h_extra := Hcount - HSYNC - HBACK_PORCH - plane_h_start ;
            v_extra := Vcount - VSYNC - VBACK_PORCH - plane_v_start ;
            if plane_disp = '1' then
                boundary_1 := (others => '0') ;
                boundary_1 := plane_begin_1(TO_INTEGER(v_extra)) ;
                boundary_2 := (others => '0') ;
                boundary_2 := plane_begin_2(TO_INTEGER(v_extra)) ;
                boundary_3 := (others => '0') ;
                if wudi_eff = '1' then
                    boundary_3 := wudi_begin(TO_INTEGER(v_extra)) ;
                else
                    boundary_3 := plane_begin_3(TO_INTEGER(v_extra)) ;
                end if;
                boundary_4 := (others => '0') ;
                boundary_4 := plane_begin_4(TO_INTEGER(v_extra)) ;
                if boundary_1(TO_INTEGER(h_extra)) = '1' then
                    plane_1 <= '1' ;
                elsif boundary_1(TO_INTEGER(h_extra)) = '0' then
                    plane_1 <= '0' ;
                end if ;
                if boundary_2(TO_INTEGER(h_extra)) = '1' then
                    plane_2 <= '1' ;

```

```

        elsif boundary_2(TO_INTEGER(h_extra)) = '0' then
            plane_2 <= '0' ;
        end if ;
        if boundary_3(TO_INTEGER(h_extra)) = '1' then
            plane_3 <= '1' ;
        elsif boundary_3(TO_INTEGER(h_extra)) = '0' then
            plane_3 <= '0' ;
        end if ;
        if boundary_4(TO_INTEGER(h_extra)) = '1' then
            plane_4 <= '1' ;
        elsif boundary_4(TO_INTEGER(h_extra)) = '0' then
            plane_4 <= '0' ;
        end if ;
        elsif explode_disp = '1' then
            boundary_1 := (others => '0') ;
            boundary_1 := explode_begin(TO_INTEGER(v_extra)) ;
            if boundary_1(TO_INTEGER(h_extra)) = '1' then
                explode <= '1' ;
            elsif boundary_1(TO_INTEGER(h_extra)) = '0' then
                explode <= '0' ;
            end if ;
        end if ;
    else
        plane_1 <= '0';
        plane_2 <= '0';
        plane_3 <= '0';
        plane_4 <= '0';
        explode <= '0';
    end if ;
end if ;
end process planeGen;

-- missile generator

```

```
missileGen : process(clk_vga)
```

```
variable m_boundary_11 : unsigned ( 0 to 54 ) ;  
variable m_boundary_12 : unsigned ( 0 to 54 ) ;  
variable m_h_extra_1 : unsigned ( 9 downto 0 ) ;  
variable m_v_extra_1 : unsigned ( 9 downto 0 ) ;  
variable m_boundary_21 : unsigned ( 0 to 54 ) ;  
variable m_boundary_22 : unsigned ( 0 to 54 ) ;  
variable m_h_extra_2 : unsigned ( 9 downto 0 ) ;  
variable m_v_extra_2 : unsigned ( 9 downto 0 ) ;
```

```
begin
```

```
  if rising_edge(clk_vga) then
```

```
    if reset_n = '0' then
```

```
      missile_11 <= '0';
```

```
      missile_12 <= '0';
```

```
      missile_21 <= '0';
```

```
      missile_22 <= '0';
```

```
    elsif missile_disp_1 = '1' and Hcount > HSYNC + HBACK_PORCH +  
missile_h_start_1 - 1 and Vcount > VSYNC + VBACK_PORCH + missile_v_start_1 - 1 and  
Hcount < HSYNC + HBACK_PORCH + missile_h_start_1 + missile_length and Vcount <  
VSYNC + VBACK_PORCH + missile_v_start_1 + missile_height then
```

```
      m_h_extra_1 := Hcount - HSYNC - HBACK_PORCH - missile_h_start_1 ;
```

```
      m_v_extra_1 := Vcount - VSYNC - VBACK_PORCH - missile_v_start_1 ;
```

```
      m_boundary_11 := (others => '0') ;
```

```
      m_boundary_11 := missile_begin_1(TO_INTEGER(m_v_extra_1)) ;
```

```
      m_boundary_12 := (others => '0') ;
```

```
      m_boundary_12 := missile_begin_2(TO_INTEGER(m_v_extra_1)) ;
```

```
      if m_boundary_11(TO_INTEGER(m_h_extra_1)) = '1' then
```

```
        missile_11 <= '1' ;
```

```
      elsif m_boundary_11(TO_INTEGER(m_h_extra_1)) = '0' then
```

```
        missile_11 <= '0' ;
```

```

end if ;

if m_boundary_12(TO_INTEGER(m_h_extra_1)) = '1' then
    missile_12 <= '1' ;
    elsif m_boundary_12(TO_INTEGER(m_h_extra_1)) = '0' then
        missile_12 <= '0' ;
    end if ;

    elsif missile_disp_2 = '1' and Hcount > HSYNC + HBACK_PORCH +
missile_h_start_2 - 1 and Vcount > VSYNC + VBACK_PORCH + missile_v_start_2 - 1 and
Hcount < HSYNC + HBACK_PORCH + missile_h_start_2 + missile_length and Vcount <
VSYNC + VBACK_PORCH + missile_v_start_2 + missile_height then
        m_h_extra_2 := Hcount - HSYNC - HBACK_PORCH - missile_h_start_2 ;
        m_v_extra_2 := Vcount - VSYNC - VBACK_PORCH - missile_v_start_2 ;
        m_boundary_21 := (others => '0') ;
        m_boundary_21 := missile_begin_1(TO_INTEGER(m_v_extra_2)) ;
        m_boundary_22 := (others => '0') ;
        m_boundary_22 := missile_begin_2(TO_INTEGER(m_v_extra_2)) ;
        if m_boundary_21(TO_INTEGER(m_h_extra_2)) = '1' then
            missile_21 <= '1' ;
            elsif m_boundary_21(TO_INTEGER(m_h_extra_2)) = '0' then
                missile_21 <= '0' ;
            end if ;

            if m_boundary_22(TO_INTEGER(m_h_extra_2)) = '1' then
                missile_22 <= '1' ;
                elsif m_boundary_22(TO_INTEGER(m_h_extra_2)) = '0' then
                    missile_22 <= '0' ;
                end if ;

            else
                missile_11 <= '0';
                missile_12 <= '0';
                missile_21 <= '0';
                missile_22 <= '0';
            end if ;
        end if ;
end if ;

```

```
end process missileGen;
```

```
-- stone generator
```

```
stoneGen : process(clk_vga)
```

```
variable s_boundary_11 : unsigned ( 0 to 33 );
```

```
variable s_boundary_12 : unsigned ( 0 to 33 );
```

```
variable s_h_extra_1 : unsigned ( 9 downto 0 );
```

```
variable s_v_extra_1 : unsigned ( 9 downto 0 );
```

```
variable s_boundary_21 : unsigned ( 0 to 33 );
```

```
variable s_boundary_22 : unsigned ( 0 to 33 );
```

```
variable s_h_extra_2 : unsigned ( 9 downto 0 );
```

```
variable s_v_extra_2 : unsigned ( 9 downto 0 );
```

```
variable s_boundary_31 : unsigned ( 0 to 33 );
```

```
variable s_boundary_32 : unsigned ( 0 to 33 );
```

```
variable s_h_extra_3 : unsigned ( 9 downto 0 );
```

```
variable s_v_extra_3 : unsigned ( 9 downto 0 );
```

```
variable s_boundary_41 : unsigned ( 0 to 33 );
```

```
variable s_boundary_42 : unsigned ( 0 to 33 );
```

```
variable s_h_extra_4 : unsigned ( 9 downto 0 );
```

```
variable s_v_extra_4 : unsigned ( 9 downto 0 );
```

```
begin
```

```
if rising_edge(clk_vga) then
```

```
if reset_n = '0' then
```

```
stone_11 <= '0';
```

```
stone_12 <= '0';
```

```
stone_21 <= '0';
```

```
stone_22 <= '0';
```

```
stone_31 <= '0';
```

```
stone_32 <= '0';
```

```
stone_41 <= '0';
```

```

stone_42 <= '0';
elsif Hcount > HSYNC + HBACK_PORCH + stone_h_start_1 - 1 and Vcount >
VSYNC + VBACK_PORCH + stone_v_start_1 - 1 and Hcount < HSYNC +
HBACK_PORCH + stone_h_start_1 + stone_length and Vcount < VSYNC +
VBACK_PORCH + stone_v_start_1 + stone_height then
    s_h_extra_1 := Hcount - HSYNC - HBACK_PORCH - stone_h_start_1 ;
    s_v_extra_1 := Vcount - VSYNC - VBACK_PORCH - stone_v_start_1 ;
    if stone_disp_1 = '1' then
        s_boundary_11 := (others => '0') ;
        if power_disp = '1' then
            s_boundary_11 := laser_begin_1(TO_INTEGER(s_v_extra_1)) ;
        else
            s_boundary_11 := stone_begin_1(TO_INTEGER(s_v_extra_1)) ;
        end if;
        s_boundary_12 := (others => '0') ;
        if power_disp = '1' then
            s_boundary_12 := laser_begin_2(TO_INTEGER(s_v_extra_1)) ;
        else
            s_boundary_12 := stone_begin_2(TO_INTEGER(s_v_extra_1)) ;
        end if;
        if s_boundary_11(TO_INTEGER(s_h_extra_1)) = '1' then
            stone_11 <= '1' ;
        elsif s_boundary_11(TO_INTEGER(s_h_extra_1)) = '0' then
            stone_11 <= '0' ;
        end if ;
        if s_boundary_12(TO_INTEGER(s_h_extra_1)) = '1' then
            stone_12 <= '1' ;
        elsif s_boundary_12(TO_INTEGER(s_h_extra_1)) = '0' then
            stone_12 <= '0' ;
        end if ;
    end if;
    if hit_disp_11 = '1' then
        stone_12 <= '0' ;
    end if;
end if;

```

```

s_boundary_11 := (others => '0') ;
s_boundary_11 := hit_begin_1(TO_INTEGER(s_v_extra_1)) ;
if s_boundary_11(TO_INTEGER(s_h_extra_1)) = '1' then
    stone_11 <= '1' ;
elsif s_boundary_11(TO_INTEGER(s_h_extra_1)) = '0' then
    stone_11 <= '0' ;
end if ;
end if;
if hit_disp_12 = '1' then
    stone_12 <= '0' ;
    s_boundary_11 := (others => '0') ;
    s_boundary_11 := hit_begin_2(TO_INTEGER(s_v_extra_1)) ;
    if s_boundary_11(TO_INTEGER(s_h_extra_1)) = '1' then
        stone_11 <= '1' ;
    elsif s_boundary_11(TO_INTEGER(s_h_extra_1)) = '0' then
        stone_11 <= '0' ;
    end if ;
end if;

elsif Hcount > HSYNC + HBACK_PORCH + stone_h_start_2 - 1 and Vcount >
VSYNC + VBACK_PORCH + stone_v_start_2 - 1 and Hcount < HSYNC +
HBACK_PORCH + stone_h_start_2 + stone_length and Vcount < VSYNC +
VBACK_PORCH + stone_v_start_2 + stone_height then
    s_h_extra_2 := Hcount - HSYNC - HBACK_PORCH - stone_h_start_2 ;
    s_v_extra_2 := Vcount - VSYNC - VBACK_PORCH - stone_v_start_2 ;
    if stone_disp_2 = '1' then
        s_boundary_21 := (others => '0') ;
        if wudi_disp = '1' then
            s_boundary_21 := super_begin_1(TO_INTEGER(s_v_extra_2)) ;
        else
            s_boundary_21 := stone_begin_1(TO_INTEGER(s_v_extra_2)) ;
        end if;
    s_boundary_22 := (others => '0') ;

```



```

if wudi_disp = '1' then
    s_boundary_22 := super_begin_2(TO_INTEGER(s_v_extra_2));
else
    s_boundary_22 := stone_begin_2(TO_INTEGER(s_v_extra_2));
end if;
if s_boundary_21(TO_INTEGER(s_h_extra_2)) = '1' then
    stone_21 <= '1';
elsif s_boundary_11(TO_INTEGER(s_h_extra_1)) = '0' then
    stone_21 <= '0';
end if;
if s_boundary_22(TO_INTEGER(s_h_extra_2)) = '1' then
    stone_22 <= '1';
elsif s_boundary_22(TO_INTEGER(s_h_extra_2)) = '0' then
    stone_22 <= '0';
end if;
end if;
if hit_disp_21 = '1' then
    stone_22 <= '0';
    s_boundary_21 := (others => '0');
    s_boundary_21 := hit_begin_1(TO_INTEGER(s_v_extra_2));
if s_boundary_21(TO_INTEGER(s_h_extra_2)) = '1' then
    stone_21 <= '1';
elsif s_boundary_21(TO_INTEGER(s_h_extra_2)) = '0' then
    stone_21 <= '0';
end if;
end if;
if hit_disp_22 = '1' then
    stone_22 <= '0';
    s_boundary_21 := (others => '0');
    s_boundary_21 := hit_begin_2(TO_INTEGER(s_v_extra_2));
if s_boundary_21(TO_INTEGER(s_h_extra_2)) = '1' then
    stone_21 <= '1';
elsif s_boundary_21(TO_INTEGER(s_h_extra_2)) = '0' then

```

```

        stone_21 <= '0' ;
    end if ;
end if;

elsif Hcount > HSYNC + HBACK_PORCH + stone_h_start_3 - 1 and Vcount >
VSYNC + VBACK_PORCH + stone_v_start_3 - 1 and Hcount < HSYNC +
HBACK_PORCH + stone_h_start_3 + stone_length and Vcount < VSYNC +
VBACK_PORCH + stone_v_start_3 + stone_height then
    s_h_extra_3 := Hcount - HSYNC - HBACK_PORCH - stone_h_start_3 ;
    s_v_extra_3 := Vcount - VSYNC - VBACK_PORCH - stone_v_start_3 ;
    if stone_disp_3 = '1' then
        s_boundary_31 := (others => '0') ;
        if heart_disp = '1' then
            s_boundary_31 := heart_begin(TO_INTEGER(s_v_extra_3)) ;
        else s_boundary_31 := stone_begin_1(TO_INTEGER(s_v_extra_3)) ;
        end if;
        s_boundary_32 := (others => '0') ;
        if heart_disp = '0' then
            s_boundary_32 := stone_begin_2(TO_INTEGER(s_v_extra_3)) ;
        end if;
        if s_boundary_31(TO_INTEGER(s_h_extra_3)) = '1' then
            stone_31 <= '1' ;
        elsif s_boundary_31(TO_INTEGER(s_h_extra_3)) = '0' then
            stone_31 <= '0' ;
        end if ;
        if s_boundary_32(TO_INTEGER(s_h_extra_3)) = '1' then
            stone_32 <= '1' ;
        elsif s_boundary_32(TO_INTEGER(s_h_extra_3)) = '0' then
            stone_32 <= '0' ;
        end if ;
    end if;
    if hit_disp_31 = '1' then
        stone_32 <= '0' ;
    end if;
end if;

```

```

s_boundary_31 := (others => '0') ;
s_boundary_31 := hit_begin_1(TO_INTEGER(s_v_extra_3)) ;
if s_boundary_31(TO_INTEGER(s_h_extra_3)) = '1' then
    stone_31 <= '1' ;
elsif s_boundary_31(TO_INTEGER(s_h_extra_3)) = '0' then
    stone_31 <= '0' ;
end if ;
end if;
if hit_disp_32 = '1' then
    stone_32 <= '0' ;
    s_boundary_31 := (others => '0') ;
    s_boundary_31 := hit_begin_2(TO_INTEGER(s_v_extra_3)) ;
    if s_boundary_31(TO_INTEGER(s_h_extra_3)) = '1' then
        stone_31 <= '1' ;
    elsif s_boundary_31(TO_INTEGER(s_h_extra_3)) = '0' then
        stone_31 <= '0' ;
    end if ;
end if;

```

```

elsif Hcount > HSYNC + HBACK_PORCH + stone_h_start_4 - 1 and Vcount >
VSYNC + VBACK_PORCH + stone_v_start_4 - 1 and Hcount < HSYNC +
HBACK_PORCH + stone_h_start_4 + stone_length and Vcount < VSYNC +
VBACK_PORCH + stone_v_start_4 + stone_height then

```

```

s_h_extra_4 := Hcount - HSYNC - HBACK_PORCH - stone_h_start_4 ;
s_v_extra_4 := Vcount - VSYNC - VBACK_PORCH - stone_v_start_4 ;
if stone_disp_4 = '1' then
    s_boundary_41 := (others => '0') ;
    s_boundary_41 := stone_begin_1(TO_INTEGER(s_v_extra_4)) ;
    s_boundary_42 := (others => '0') ;
    s_boundary_42 := stone_begin_2(TO_INTEGER(s_v_extra_4)) ;
    if s_boundary_41(TO_INTEGER(s_h_extra_4)) = '1' then
        stone_41 <= '1' ;
    elsif s_boundary_41(TO_INTEGER(s_h_extra_4)) = '0' then

```

```

        stone_41 <= '0' ;
    end if ;
    if s_boundary_42(TO_INTEGER(s_h_extra_4)) = '1' then
        stone_42 <= '1' ;
    elsif s_boundary_42(TO_INTEGER(s_h_extra_4)) = '0' then
        stone_42 <= '0' ;
    end if ;
end if;
if hit_disp_41 = '1' then
    stone_42 <= '0' ;
    s_boundary_41 := (others => '0') ;
    s_boundary_41 := hit_begin_1(TO_INTEGER(s_v_extra_4)) ;
    if s_boundary_41(TO_INTEGER(s_h_extra_4)) = '1' then
        stone_41 <= '1' ;
    elsif s_boundary_41(TO_INTEGER(s_h_extra_4)) = '0' then
        stone_41 <= '0' ;
    end if ;
end if;
if hit_disp_42 = '1' then
    stone_42 <= '0' ;
    s_boundary_41 := (others => '0') ;
    s_boundary_41 := hit_begin_2(TO_INTEGER(s_v_extra_4)) ;
    if s_boundary_41(TO_INTEGER(s_h_extra_4)) = '1' then
        stone_41 <= '1' ;
    elsif s_boundary_41(TO_INTEGER(s_h_extra_4)) = '0' then
        stone_41 <= '0' ;
    end if ;
end if;

else
stone_11 <= '0';
stone_12 <= '0';
stone_21 <= '0';

```

```
        stone_22 <= '0';
        stone_31 <= '0';
        stone_32 <= '0';
        stone_41 <= '0';
        stone_42 <= '0';
    end if ;
end if ;
end process stoneGen;
```

```
control : process(clk_vga)
variable count_de:integer:=0;
variable count_up:integer:=0;
variable count_down:integer:=0;
variable count_pah:integer:=0;
variable count_hold:integer:=0;
variable count_do:integer:=0;
variable count_m_1:integer:=0;
variable count_m_2:integer:=0;
variable count_s_1:integer:=0;
variable count_s_2:integer:=0;
variable count_s_3:integer:=0;
variable count_s_4:integer:=0;
variable count_ss_1:integer:=0;
variable count_ss_2:integer:=0;
variable count_ss_3:integer:=0;
variable count_ss_4:integer:=0;
variable count_exp:integer:=0;
variable count_h_1:integer:=0;
variable count_h_2:integer:=0;
variable count_h_3:integer:=0;
variable count_h_4:integer:=0;
variable stone_count:integer:=0;
variable wudi_count:integer:=0;
```

```

variable power_count:integer:=0;
variable sound_missile_count:integer:=0;
variable sound_explode_count:integer:=0;
variable sound_hit_count:integer:=0;
variable sound_special_count:integer:=0;
--variable sound_missile_flag:integer:=0;
begin
  if rising_edge(clk_vga) then
    if(key/="1111") then
      count_de:=count_de+1;
      key_debounce<="1111";
    else count_de:=0;
    end if;
    if(count_de=100000) then
      key_debounce<=key;
      count_de:=0;
    end if;

    if(up = '1') then
      count_up:=count_up+1;
      up_debounce <='0';
    else count_up:=0;
    end if;
    if(count_up=100000) then
      up_debounce<='1';
      count_up:=0;
    end if;

    if(down = '1') then
      count_down:=count_down+1;
      down_debounce <='0';
    else count_down:=0;
    end if;

```

```

if(count_down=100000) then
    down_debounce<='1';
    count_down:=0;
end if;

--
if(pah='1') then
--
    count_pah:=count_pah+1;
--
    pah_debounce <='0';
--
else count_pah:=0;
--
end if;
--
if(count_pah=1000000) then
--
    pah_debounce<='1';
--
    count_pah:=0;
--
end if;

if beginning_disp = '1' then
    if key_debounce(3) = '0' or up = '1' then
        sel_mode <= '0';
    end if;
    if key_debounce(2) = '0' or down = '1' then
        sel_mode <= '1';
    end if;
    if sel_mode = '0' then
        arrow_v_start <= mode_v_start;
    else arrow_v_start <= mode_v_start + 11;
    end if;
    if (key_debounce(0) = '0' and sel_mode = '0')or(pah = '1' and sel_mode = '0')
then
        key_mode <= '1';
        game_mode <= '1';
        plane_disp <= '1';

```

```
stone_disp_1 <= '1';
stone_disp_2 <= '1';
stone_disp_3 <= '1';
stone_disp_4 <= '1';
beginning_disp <= '0';
elseif (key_debounce(0) = '0' and sel_mode = '1') or (pah = '1' and sel_mode = '1')
```

then

```
sound_mode <= '1';
game_mode <= '1';
plane_disp <= '1';
stone_disp_1 <= '1';
stone_disp_2 <= '1';
stone_disp_3 <= '1';
stone_disp_4 <= '1';
beginning_disp <= '0';
```

end if;

end if;

if game\_mode = '1' then

if key\_mode = '1' then

if key\_debounce(3) = '0' and plane\_v\_start > 0 and plane\_disp = '1' then

plane\_v\_start <= plane\_v\_start - 1;

end if;

if key\_debounce(2) = '0' and plane\_v\_start < 450 and plane\_disp = '1' then

plane\_v\_start <= plane\_v\_start + 1;

end if;

if key(1) = '0' and power\_eff = '1' then

laser <= '1';

end if;

if key(1) = '1' then

laser <= '0';

end if;



```

        if power_eff = '0' and key_debounce(1) = '0' and plane_disp = '1' and
missile_disp_1 = '0' then
            missile_disp_1 <= '1';
            sound_missle_on <= '1';
            sound_special_on <= '0';
            sound_hit_on <= '0';
            sound_explode_on <= '0';
            sound_missle_count := 0;
            sound_explode_count := 0;
            sound_hit_count := 0;
            sound_special_count := 0;
        end if;
        if power_eff = '0' and key_debounce(1) = '0' and missile_disp_1 = '1' and
missile_h_start_1 > 350 and missile_disp_2 = '0' and plane_disp = '1'then
            missile_disp_2 <= '1';
            sound_missle_on <= '1';
            sound_special_on <= '0';
            sound_hit_on <= '0';
            sound_explode_on <= '0';
            sound_missle_count := 0;
            sound_explode_count := 0;
            sound_hit_count := 0;
            sound_special_count := 0;
        end if;
    end if;

    if sound_mode = '1' then
        if up_debounce = '1' and plane_v_start > 0 and plane_disp = '1' then
            plane_v_start <= plane_v_start - 1;
        end if;
        if down_debounce = '1' and plane_v_start < 450 and plane_disp = '1' then
            plane_v_start <= plane_v_start + 1;
        end if;
    end if;

```

```

        if up = '0' and down = '0' and hold = '0' and plane_v_start < 450 and
plane_disp = '1' then
            if count_do < 100000 then
                count_do := count_do + 1;
            else
                plane_v_start <= plane_v_start + 1;
                count_do := 0;
            end if;
        end if;
        if pah = '1' and power_eff = '1' then
            laser <= '1';
        end if;
        if pah = '0' then
            laser <= '0';
        end if;
        if power_eff = '0' and pah = '1' and plane_disp = '1' and missile_disp_1 =
'0' then

            missile_disp_1 <= '1';
            sound_missile_on <= '1';
            sound_special_on <= '0';
            sound_hit_on <= '0';
            sound_explode_on <= '0';
            sound_missile_count := 0;
            sound_explode_count := 0;
            sound_hit_count := 0;
            sound_special_count := 0;
        end if;
        if power_eff = '0' and pah = '1' and missile_disp_1 = '1' and
missile_h_start_1 > 350 and missile_disp_2 = '0' and plane_disp = '1' then
            missile_disp_2 <= '1';
            sound_missile_on <= '1';
            sound_special_on <= '0';
            sound_hit_on <= '0';

```

```

        sound_explode_on <= '0';
        sound_missile_count := 0;
        sound_explode_count := 0;
        sound_hit_count := 0;
        sound_special_count := 0;
    end if;
end if;

if sound_missile_on = '1' then
    --sound_missile_flag := 0;
    sound_data(14 downto 0) <=
std_logic_vector(to_unsigned(sound_missile_begin(sound_missile_count), 16))(14 downto 0);
    sound_data(15) <= not
std_logic_vector(to_unsigned(sound_missile_begin(sound_missile_count), 16))(15);
    if sound_done = '1' then
        sound_missile_count := sound_missile_count + 1;
        --sound_missile_flag := 1;
    end if;
--
--    if sound_done = '0' then
--        sound_missile_flag := 0;
--    end if;
    if sound_missile_count = 3526 then
        sound_missile_on <= '0';
        sound_missile_count := 0;
        sound_data <= "0000000000000000";
    end if;
end if;

--
--    if sound_hit_on = '1' then
--        sound_data(14 downto 0) <=
std_logic_vector(to_unsigned(sound_hit_begin(sound_hit_count), 16))(14 downto 0);
--        sound_data(15) <= not
std_logic_vector(to_unsigned(sound_hit_begin(sound_hit_count), 16))(15);

```

```

--         if sound_done = '1' then
--             sound_hit_count := sound_hit_count + 1;
--         end if;
--         if sound_hit_count = 4998 then
--             sound_hit_on <= '0';
--             sound_hit_count := 0;
--             sound_data <= "0000000000000000";
--         end if;
--     end if;

        if sound_explode_on = '1' then
            sound_data(14 downto 0) <=
std_logic_vector(to_unsigned(sound_hit_begin(sound_explode_count), 16))(14 downto 0);
            sound_data(15) <= not
std_logic_vector(to_unsigned(sound_hit_begin(sound_explode_count), 16))(15);
            if sound_done = '1' then
                sound_explode_count := sound_explode_count + 1;
            end if;
            if sound_explode_count = 4498 then
                sound_explode_on <= '0';
                sound_explode_count := 0;
                sound_data <= "0000000000000000";
            end if;
        end if;

        if sound_special_on = '1' then
            sound_data(14 downto 0) <=
std_logic_vector(to_unsigned(sound_special_begin(sound_special_count), 16))(14 downto
0);
            sound_data(15) <= not
std_logic_vector(to_unsigned(sound_special_begin(sound_special_count), 16))(15);
            if sound_done = '1' then
                sound_special_count := sound_special_count + 1;

```

```

end if;
if sound_special_count = 1929 then
    sound_special_on <= '0';
    sound_special_count := 0;
    sound_data <= "0000000000000000";
end if;
end if;

if missile_disp_1 = '1' then
    count_m_1 := count_m_1 + 1;
end if;
if (count_m_1=50000)then
    missile_h_start_1 <= missile_h_start_1 + 1;
    count_m_1:=0;
end if;
if missile_h_start_1 > 600 then
    missile_disp_1 <= '0';
    count_m_1:=0;
    missile_h_start_1 <= "0001001011";
end if;
if missile_disp_1 = '0' then
    missile_v_start_1<=plane_v_start+"0000001000";
end if;

if missile_disp_2 = '1' then
    count_m_2 := count_m_2 + 1;
end if;
if (count_m_2=50000)then
    missile_h_start_2 <= missile_h_start_2 + 1;
    count_m_2:=0;
end if;
if missile_h_start_2 > 600 then

```

```

        missile_disp_2 <= '0';
        count_m_2:=0;
        missile_h_start_2 <= "0001001011";
end if;
if missile_disp_2 = '0' then
    missile_v_start_2<=plane_v_start+"0000001000";
end if;

if stone_count = 15 then
    wudi <= '1';
elseif stone_count =30 then
    life_up <= '1';
elseif stone_count = 45 then
    power_up <= '1';
end if;
if wudi_eff = '1' then
    if wudi_count < 100000000 then
        wudi_count:=wudi_count+1;
    else
        wudi_count:=0;
        wudi_eff <= '0';
    end if;
end if;
if power_eff = '1' then
    if power_count < 100000000 then
        power_count:=power_count+1;
    else
        power_count:=0;
        power_eff <= '0';
    end if;
end if;
if stone_disp_1 = '1' then
    if count_s_1 = 200000 then

```

```

        stone_h_start_1 <= stone_h_start_1 - 1;
        count_s_1 := 0;
    else count_s_1 := count_s_1 + 1;
    end if;
    if stone_h_start_1 = 2 then
        if power_up = '1' then
            power_up <= '0';
        end if;
        if stone_count < 50 then
            stone_count := stone_count + 1;
        else stone_count := 0;
        end if;
        stone_h_start_1 <= "1001100101";
    end if;
    if count_ss_1 = 500000 then
        if stone_dir_1 = '1' then
            stone_v_start_1 <= stone_v_start_1 + 1;
        else stone_v_start_1 <= stone_v_start_1 - 1;
        end if;
        count_ss_1 := 0;
    else count_ss_1 := count_ss_1 + 1;
    end if;
    if stone_v_start_1 = "0000001010" then
        stone_dir_1 <= '1';
    end if;
    if stone_v_start_1 = "0001010000" then
        stone_dir_1 <= '0';
    end if;
end if;

if stone_disp_2 = '1' then
    if count_s_2 = 200000 then
        stone_h_start_2 <= stone_h_start_2 - 1;
    end if;
end if;

```

```

        count_s_2 := 0;
    elsif stone_disp_2 = '1' then count_s_2 := count_s_2 + 1;
    end if;
    if stone_h_start_2 = 2 then
        if wudi = '1' then
            wudi <= '0';
        end if;
        if stone_count < 50 then
            stone_count := stone_count + 1;
        else stone_count := 0;
        end if;
        stone_h_start_2 <= "1001100101";
    end if;
    if count_ss_2 = 700000 then
        if stone_dir_2 = '1' then
            stone_v_start_2 <= stone_v_start_2 + 1;
        else stone_v_start_2 <= stone_v_start_2 - 1;
        end if;
        count_ss_2 := 0;
    else count_ss_2 := count_ss_2 + 1;
    end if;
    if stone_v_start_2 = "0001111000" then
        stone_dir_2 <= '1';
    end if;
    if stone_v_start_2 = "0011001000" then
        stone_dir_2 <= '0';
    end if;
end if;

if stone_disp_3 = '1' then
    if count_s_3 = 200000 then
        stone_h_start_3 <= stone_h_start_3 - 1;
        count_s_3 := 0;
    end if;
end if;

```



```

elseif stone_disp_3 = '1' then count_s_3 := count_s_3 + 1;
end if;
if stone_h_start_3 = 2 then
    if life_up = '1' then
        life_up <= '0';
    end if;
    if stone_count < 50 then
        stone_count := stone_count + 1;
    else stone_count := 0;
    end if;
    stone_h_start_3 <= "1001100101";
end if;
if count_ss_3 = 600000 then
    if stone_dir_3 = '1' then
        stone_v_start_3 <= stone_v_start_3 + 1;
    else stone_v_start_3 <= stone_v_start_3 - 1;
    end if;
    count_ss_3 := 0;
else count_ss_3 := count_ss_3 + 1;
end if;
if stone_v_start_3 = "0011110000" then
    stone_dir_3 <= '1';
end if;
if stone_v_start_3 = "0101000000" then
    stone_dir_3 <= '0';
end if;
end if;

if stone_disp_4 = '1' then
    if count_s_4 = 200000 then
        stone_h_start_4 <= stone_h_start_4 - 1;
        count_s_4 := 0;
    elseif stone_disp_4 = '1' then count_s_4 := count_s_4 + 1;

```

```

end if;
if stone_h_start_4 = 2 then
    if stone_count < 50 then
        stone_count := stone_count + 1;
    else stone_count := 0;
    end if;
    stone_h_start_4 <= "1001100101";
end if;
if count_ss_4 = 800000 then
    if stone_dir_4 = '1' then
        stone_v_start_4 <= stone_v_start_4 + 1;
    else stone_v_start_4 <= stone_v_start_4 - 1;
    end if;
    count_ss_4 := 0;
else count_ss_4 := count_ss_4 + 1;
end if;
if stone_v_start_4 = "0101101000" then
    stone_dir_4 <= '1';
end if;
if stone_v_start_4 = "0110111001" then
    stone_dir_4 <= '0';
end if;
end if;

if (stone_disp_1 = '1') and (plane_h_start + 60 > stone_h_start_1) and
(plane_v_start + 30 > stone_v_start_1 ) and (plane_v_start < stone_v_start_1 + 28) then
    if power_disp = '1' then
        power_disp <= '0';
        power_eff <= '1';
        stone_h_start_1 <= "1001100101";
        power_count:=0;
        sound_missle_on <= '0';
        sound_special_on <= '1';
    end if;
end if;

```

```
    sound_hit_on <= '0';
    sound_explode_on <= '0';
    sound_missile_count := 0;
    sound_explode_count := 0;
    sound_hit_count := 0;
    sound_special_count := 0;
elseif wudi_eff = '1' then
    hit_disp_11 <= '1';
    power_up <= '0';
    power_eff <= '1';
    power_count:=0;
    sound_missile_on <= '0';
    sound_special_on <= '0';
    sound_hit_on <= '1';
    sound_explode_on <= '0';
    sound_missile_count := 0;
    sound_explode_count := 0;
    sound_hit_count := 0;
    sound_special_count := 0;
else
    plane_disp <= '0';
    explode_disp <= '1';
    stone_disp_1 <= '0';
    life_number <= life_number - 1;
    power_eff <= '0';
    power_count:=0;
    sound_missile_on <= '0';
    sound_special_on <= '0';
    sound_hit_on <= '0';
    sound_explode_on <= '1';
    sound_missile_count := 0;
    sound_explode_count := 0;
    sound_hit_count := 0;
```

```

        sound_special_count := 0;
    end if;
end if;
if (stone_disp_2 = '1') and (plane_h_start + 60 > stone_h_start_2) and
(plane_v_start + 30 > stone_v_start_2 ) and (plane_v_start < stone_v_start_2 + 28) then
    if wudi_disp = '1' then
        wudi_eff <= '1';
        wudi_disp <= '0' ;
        stone_h_start_2 <= "1001100101";
        wudi_count:=0;
        sound_missle_on <= '0';
        sound_special_on <= '1';
        sound_hit_on <= '0';
        sound_explode_on <= '0';
        sound_missle_count := 0;
        sound_explode_count := 0;
        sound_hit_count := 0;
        sound_special_count := 0;
    elsif wudi_eff = '1' then
        hit_disp_21 <= '1';
        wudi <= '0';
        wudi_eff <= '1';
        wudi_count:=0;
        sound_missle_on <= '0';
        sound_special_on <= '0';
        sound_hit_on <= '1';
        sound_explode_on <= '0';
        sound_missle_count := 0;
        sound_explode_count := 0;
        sound_hit_count := 0;
        sound_special_count := 0;
    else
        plane_disp <= '0';

```

```

        explode_disp <= '1';
        stone_disp_2 <= '0';
        life_number <= life_number - 1;
        power_eff <= '0';
        power_count:=0;
        sound_missile_on <= '0';
        sound_special_on <= '0';
        sound_hit_on <= '0';
        sound_explode_on <= '1';
        sound_missile_count := 0;
        sound_explode_count := 0;
        sound_hit_count := 0;
        sound_special_count := 0;
    end if;
end if;
if (stone_disp_3 = '1') and (plane_h_start + 60 > stone_h_start_3) and
(plane_v_start + 30 > stone_v_start_3 ) and (plane_v_start < stone_v_start_3 + 28) then
    if heart_disp = '1' then
        if life_number /= "11" then
            life_number <= life_number + 1;
            sound_missile_on <= '0';
            sound_special_on <= '1';
            sound_hit_on <= '0';
            sound_explode_on <= '0';
            sound_missile_count := 0;
            sound_explode_count := 0;
            sound_hit_count := 0;
            sound_special_count := 0;
        end if;
        heart_disp <= '0';
        stone_h_start_3 <= "1001100101";
    elsif wudi_eff = '1' then
        hit_disp_31 <= '1';
    end if;
end if;

```

```

life_up <= '0';
sound_missile_on <= '0';
sound_special_on <= '0';
sound_hit_on <= '1';
sound_explode_on <= '0';
sound_missile_count := 0;
sound_explode_count := 0;
sound_hit_count := 0;
sound_special_count := 0;
if life_number /= "11" then
    life_number <= life_number + 1;
end if;
else
    plane_disp <= '0';
    explode_disp <= '1';
    stone_disp_3 <= '0';
    life_number <= life_number - 1;
    power_eff <= '0';
    power_count:=0;
    sound_missile_on <= '0';
    sound_special_on <= '0';
    sound_hit_on <= '0';
    sound_explode_on <= '1';
    sound_missile_count := 0;
    sound_explode_count := 0;
    sound_hit_count := 0;
    sound_special_count := 0;
end if;
end if;
if (stone_disp_4 = '1') and (plane_h_start + 60 > stone_h_start_4) and
(plane_v_start + 30 > stone_v_start_4) and (plane_v_start < stone_v_start_4 + 28) then
    if wudi_eff = '1' then
        hit_disp_41 <= '1';
    end if;
end if;

```

```
        sound_missile_on <= '0';
        sound_special_on <= '0';
        sound_hit_on <= '1';
        sound_explode_on <= '0';
        sound_missile_count := 0;
        sound_explode_count := 0;
        sound_hit_count := 0;
        sound_special_count := 0;
    else
        plane_disp <= '0';
        explode_disp <= '1';
        stone_disp_4 <= '0';
        life_number <= life_number - 1;
        power_eff <= '0';
        power_count:=0;
        sound_missile_on <= '0';
        sound_special_on <= '0';
        sound_hit_on <= '0';
        sound_explode_on <= '1';
        sound_missile_count := 0;
        sound_explode_count := 0;
        sound_hit_count := 0;
        sound_special_count := 0;
    end if;
end if;

if explode_disp = '1' then
    if count_exp = 5000000 then
        count_exp := 0;
        if explode_cor = "10" then
            explode_cor <= "00";
            plane_disp <= '1';
            explode_disp <= '0';
```

```

plane_v_start <= "0110111000";
if stone_disp_1 = '0' then
    stone_disp_1 <= '1';
    stone_h_start_1 <= "1001100101";
end if;
if stone_disp_2 = '0' then
    stone_disp_2 <= '1';
    stone_h_start_2 <= "1001100101";
end if;
if stone_disp_3 = '0' then
    stone_disp_3 <= '1';
    stone_h_start_3 <= "1001100101";
end if;
if stone_disp_4 = '0' then
    stone_disp_4 <= '1';
    stone_h_start_4 <= "1001100101";
end if;
else explode_cor <= explode_cor + 1;
end if;
else count_exp := count_exp + 1;
end if;
end if;

if hit_disp_11 = '1' or hit_disp_12 = '1' then
    if count_h_1 < 2500000 then
        count_h_1 := count_h_1 + 1;
    elsif count_h_1 = 2500000 then
        hit_disp_11 <= '0';
        hit_disp_12 <= '1';
        count_h_1 := count_h_1 + 1;
    elsif count_h_1 < 5000000 then
        count_h_1 := count_h_1 + 1;
    elsif (count_h_1 = 5000000) then

```



```

count_h_1 := 0;
hit_disp_11 <= '0';
hit_disp_12 <= '0';
stone_disp_1 <= '1';
stone_h_start_1 <= "1001100101";
if score_number3 = 9 then
    score_number3 <= "0000";
    if score_number2 = 9 then
        score_number1 <= score_number1 + 1;
        score_number2 <= "0000";
    else score_number2 <= score_number2 + 1;
    end if;
else score_number3 <= score_number3 + 1;
end if;
end if;
end if;

```

```

if power_disp='0' and laser = '1' and stone_disp_1 = '1' and plane_v_start + 17 >
stone_v_start_1 and plane_v_start + 13 < stone_v_start_1 + 28 then
    stone_count := stone_count + 1 ;
    sound_missile_on <= '0';
    sound_special_on <= '0';
    sound_hit_on <= '1';
    sound_explode_on <= '0';
    sound_missile_count := 0;
    sound_explode_count := 0;
    sound_hit_count := 0;
    sound_special_count := 0;
    if power_up = '1' then
        power_up <= '0';
        power_disp <= '1';
    else
        hit_disp_11 <= '1';
    end if;
end if;

```

```

        stone_disp_1 <= '0';
    end if;
end if;

if ((power_disp='0')and(((missile_disp_1 = '1') and (stone_disp_1 = '1') and
(missile_h_start_1 + 54 = stone_h_start_1) and (missile_v_start_1 + 14 > stone_v_start_1 )
and (missile_v_start_1 < stone_v_start_1 + 28)) or ((missile_disp_2 = '1') and
(stone_disp_1 = '1') and (missile_h_start_2 + 54 = stone_h_start_1) and (missile_v_start_2 +
14 > stone_v_start_1 ) and (missile_v_start_2 < stone_v_start_1 + 28))))then
    stone_count := stone_count + 1 ;
    sound_missile_on <= '0';
    sound_special_on <= '0';
    sound_hit_on <= '1';
    sound_explode_on <= '0';
    sound_missile_count := 0;
    sound_explode_count := 0;
    sound_hit_count := 0;
    sound_special_count := 0;
    if missile_h_start_1 + 54 = stone_h_start_1 then
        missile_disp_1 <= '0';
        missile_h_start_1 <="0001001011";
    end if;
    if missile_h_start_2 + 54 = stone_h_start_1 then
        missile_disp_2 <= '0';
        missile_h_start_2 <="0001001011";
    end if;
    if power_up = '1' then
        power_up <= '0';
        power_disp <= '1';
        if score_number3 = 9 then
            score_number3 <= "0000";
            if score_number2 = 9 then
                score_number1<=score_number1 +1;

```

```

        score_number2<="0000";
        else score_number2<=score_number2+1;
        end if;
    else score_number3<=score_number3+1;
    end if;
else
    hit_disp_11 <= '1';
    stone_disp_1 <= '0';
end if;
end if;

if hit_disp_21 = '1' or hit_disp_22 = '1' then
    if count_h_2 < 2500000 then
        count_h_2 := count_h_2 + 1;
    elsif count_h_2 = 2500000 then
        hit_disp_21 <= '0';
        hit_disp_22 <= '1';
        count_h_2 := count_h_2 + 1;
    elsif count_h_2 < 5000000 then
        count_h_2 := count_h_2 + 1;
    elsif (count_h_2 = 5000000) then
        count_h_2 := 0;
        hit_disp_21 <= '0';
        hit_disp_22 <= '0';
        stone_disp_2 <= '1';
        stone_h_start_2 <= "1001100101";
    if score_number3 = 9 then
        score_number3 <= "0000";
        if score_number2 = 9 then
            score_number1<=score_number1 +1;
            score_number2<="0000";
        else score_number2<=score_number2+1;
        end if;
    end if;
end if;

```

```
        else score_number3<=score_number3+1;
        end if;
    end if;
end if;
```

```
if wudi_disp='0' and laser = '1' and stone_disp_2 = '1' and plane_v_start + 17 >
stone_v_start_2 and plane_v_start + 13 < stone_v_start_2 + 28 then
```

```
    stone_count := stone_count + 1 ;
```

```
    sound_missile_on <= '0';
```

```
    sound_special_on <= '0';
```

```
    sound_hit_on <= '1';
```

```
    sound_explode_on <= '0';
```

```
    sound_missile_count := 0;
```

```
    sound_explode_count := 0;
```

```
    sound_hit_count := 0;
```

```
    sound_special_count := 0;
```

```
if wudi = '1' then
```

```
    wudi <= '0';
```

```
    wudi_disp <= '1';
```

```
if score_number3 = 9 then
```

```
    score_number3 <= "0000";
```

```
if score_number2 = 9 then
```

```
    score_number1<=score_number1 +1;
```

```
    score_number2<="0000";
```

```
else score_number2<=score_number2+1;
```

```
end if;
```

```
else score_number3<=score_number3+1;
```

```
end if;
```

```
else
```

```
    hit_disp_21 <= '1';
```

```
    stone_disp_2 <= '0';
```

```
end if;
```

```
end if;
```

```
if ((wudi_disp = '0') and (((missile_disp_1 = '1') and (stone_disp_2 = '1') and
(missile_h_start_1 + 54 = stone_h_start_2) and (missile_v_start_1 + 14 > stone_v_start_2 )
and (missile_v_start_1 < stone_v_start_2 + 28)) or ((missile_disp_2 = '1') and
(stone_disp_2 = '1') and (missile_h_start_2 + 54 = stone_h_start_2) and (missile_v_start_2 +
14 > stone_v_start_2 ) and (missile_v_start_2 < stone_v_start_2 + 28)))) then
```

```
    stone_count := stone_count + 1 ;
```

```
    sound_missile_on <= '0';
```

```
    sound_special_on <= '0';
```

```
    sound_hit_on <= '1';
```

```
    sound_explode_on <= '0';
```

```
    sound_missile_count := 0;
```

```
    sound_explode_count := 0;
```

```
    sound_hit_count := 0;
```

```
    sound_special_count := 0;
```

```
    if missile_h_start_1 + 54 = stone_h_start_2 then
```

```
        missile_disp_1 <= '0';
```

```
        missile_h_start_1 <= "0001001011";
```

```
    end if;
```

```
    if missile_h_start_2 + 54 = stone_h_start_2 then
```

```
        missile_disp_2 <= '0';
```

```
        missile_h_start_2 <= "0001001011";
```

```
    end if;
```

```
    if wudi = '1' then
```

```
        wudi <= '0';
```

```
        wudi_disp <= '1';
```

```
        if score_number3 = 9 then
```

```
            score_number3 <= "0000";
```

```
            if score_number2 = 9 then
```

```
                score_number1 <= score_number1 + 1;
```

```
                score_number2 <= "0000";
```

```
            else score_number2 <= score_number2 + 1;
```

```
            end if;
```

```

        else score_number3<=score_number3+1;
        end if;
    else
        hit_disp_21 <= '1';
        stone_disp_2 <= '0';
    end if;
end if;

if hit_disp_31 = '1' or hit_disp_32 = '1' then
    if count_h_3 < 2500000 then
        count_h_3 := count_h_3 + 1;
    elsif count_h_3 = 2500000 then
        hit_disp_31 <= '0';
        hit_disp_32 <= '1';
        count_h_3 := count_h_3 + 1;
    elsif count_h_3 < 5000000 then
        count_h_3 := count_h_3 + 1;
    elsif (count_h_3 = 5000000) then
        count_h_3 := 0;
        hit_disp_31 <= '0';
        hit_disp_32 <= '0';
        stone_disp_3 <= '1';
        stone_h_start_3 <= "1001100101";
        if score_number3 = 9 then
            score_number3 <= "0000";
            if score_number2 = 9 then
                score_number1<=score_number1 +1;
                score_number2<="0000";
            else score_number2<=score_number2+1;
            end if;
        else score_number3<=score_number3+1;
        end if;
    end if;
end if;

```

end if;

```
if heart_disp='0' and laser = '1' and stone_disp_3 = '1' and plane_v_start + 17 >
stone_v_start_3 and plane_v_start + 13 < stone_v_start_3 + 28 then
    stone_count := stone_count + 1 ;
    sound_missile_on <= '0';
    sound_special_on <= '0';
    sound_hit_on <= '1';
    sound_explode_on <= '0';
    sound_missile_count := 0;
    sound_explode_count := 0;
    sound_hit_count := 0;
    sound_special_count := 0;
    if life_up = '1' then
        life_up <= '0';
        heart_disp <= '1';
        if score_number3 = 9 then
            score_number3 <= "0000";
            if score_number2 = 9 then
                score_number1 <= score_number1 + 1;
                score_number2 <= "0000";
            else score_number2 <= score_number2 + 1;
            end if;
        else score_number3 <= score_number3 + 1;
        end if;
    else
        stone_disp_3 <= '0';
        hit_disp_31 <= '1';
    end if;
end if;
```

```
if ((heart_disp='0')and(((missile_disp_1 = '1') and (stone_disp_3 = '1') and
(missile_h_start_1 + 54 = stone_h_start_3) and (missile_v_start_1 + 14 > stone_v_start_3 )
```

```
and (missile_v_start_1 < stone_v_start_3 + 28)) or ((missile_disp_2 = '1') and
(stone_disp_3 = '1') and (missile_h_start_2 + 54 = stone_h_start_3) and (missile_v_start_2 +
14 > stone_v_start_3 ) and (missile_v_start_2 < stone_v_start_3 + 28))))then
```

```
    stone_count := stone_count + 1 ;
```

```
    sound_missile_on <= '0';
```

```
    sound_special_on <= '0';
```

```
    sound_hit_on <= '1';
```

```
    sound_explode_on <= '0';
```

```
    sound_missile_count := 0;
```

```
    sound_explode_count := 0;
```

```
    sound_hit_count := 0;
```

```
    sound_special_count := 0;
```

```
    if missile_h_start_1 + 54 = stone_h_start_3 then
```

```
        missile_disp_1 <= '0';
```

```
        missile_h_start_1 <="0001001011";
```

```
    end if;
```

```
    if missile_h_start_2 + 54 = stone_h_start_3 then
```

```
        missile_disp_2 <= '0';
```

```
        missile_h_start_2 <="0001001011";
```

```
    end if;
```

```
    if life_up = '1' then
```

```
        life_up <= '0';
```

```
        heart_disp <= '1';
```

```
        if score_number3 = 9 then
```

```
            score_number3 <= "0000";
```

```
            if score_number2 = 9 then
```

```
                score_number1 <= score_number1 + 1;
```

```
                score_number2 <="0000";
```

```
            else score_number2 <= score_number2 + 1;
```

```
            end if;
```

```
        else score_number3 <= score_number3 + 1;
```

```
        end if;
```



```

else
    stone_disp_3 <= '0';
    hit_disp_31 <= '1';
end if;

end if;

if hit_disp_41 = '1' or hit_disp_42 = '1' then
    if count_h_4 < 2500000 then
        count_h_4 := count_h_4 + 1;
    elsif count_h_4 = 2500000 then
        hit_disp_41 <= '0';
        hit_disp_42 <= '1';
        count_h_4 := count_h_4 + 1;
    elsif count_h_4 < 5000000 then
        count_h_4 := count_h_4 + 1;
    elsif (count_h_4 = 5000000) then
        count_h_4 := 0;
        hit_disp_41 <= '0';
        hit_disp_42 <= '0';
        stone_disp_4 <= '1';
        stone_h_start_4 <= "1001100101";
        if score_number3 = 9 then
            score_number3 <= "0000";
            if score_number2 = 9 then
                score_number1 <= score_number1 + 1;
                score_number2 <= "0000";
            else score_number2 <= score_number2 + 1;
            end if;
        else score_number3 <= score_number3 + 1;
        end if;
    end if;
end if;
end if;

```

```
if laser = '1' and stone_disp_4 = '1' and plane_v_start + 17 > stone_v_start_4
and plane_v_start + 13 < stone_v_start_4 + 28 then
```

```
hit_disp_41 <= '1';
stone_disp_4 <= '0';
sound_missile_on <= '0';
sound_special_on <= '0';
sound_hit_on <= '1';
sound_explode_on <= '0';
sound_missile_count := 0;
sound_explode_count := 0;
sound_hit_count := 0;
sound_special_count := 0;
```

```
end if;
```

```
if ((missile_disp_1 = '1') and (stone_disp_4 = '1') and (missile_h_start_1 + 54 =
stone_h_start_4) and (missile_v_start_1 + 14 > stone_v_start_4) and (missile_v_start_1 <
stone_v_start_4 + 28)) or ((missile_disp_2 = '1') and (stone_disp_4 = '1') and
(missile_h_start_2 + 54 = stone_h_start_4) and (missile_v_start_2 + 14 > stone_v_start_4)
and (missile_v_start_2 < stone_v_start_4 + 28)) then
```

```
sound_missile_on <= '0';
sound_special_on <= '0';
sound_hit_on <= '1';
sound_explode_on <= '0';
sound_missile_count := 0;
sound_explode_count := 0;
sound_hit_count := 0;
sound_special_count := 0;
```

```
if missile_h_start_1 + 54 = stone_h_start_4 then
```

```
missile_disp_1 <= '0';
missile_h_start_1 <= "0001001011";
```

```
end if;
```

```
if missile_h_start_2 + 54 = stone_h_start_4 then
```

```
        missile_disp_2 <= '0';
        missile_h_start_2 <="0001001011";
    end if;
    hit_disp_41 <= '1';
    stone_disp_4 <= '0';
end if;
if (life_number = 0) then
    end_disp<='1';
    game_mode<='0';
    plane_h_start <= "0000001101";
    plane_v_start <= "0110111000";
    stone_h_start_1 <= "0101001101";--333
    stone_v_start_1 <= "0000100101";--37
    stone_h_start_2 <= "0010101010";--170
    stone_v_start_2 <= "0011001000";--200
    stone_h_start_3 <= "0111110100";--500
    stone_v_start_3 <= "0100101100";--300
    stone_h_start_4 <= "0100101100";--300
    stone_v_start_4 <= "0110111000";--440
    explode_disp <= '0';
    stone_disp_1 <= '0';
    stone_disp_2 <= '0';
    stone_disp_3 <= '0';
    stone_disp_4 <= '0';
    life_number <= "11";
    score_number1 <= "0000";
    score_number2 <= "0000";
    score_number3 <= "0000";
    score_number4 <= "0000";
    missile_disp_1<='0';
    missile_disp_2<='0';
    key_mode<='0';
    sound_mode<='0';
```

```

        stone_count := 0;
        power_up <= '0';
        life_up <= '0';
        wudi <= '0';
        wudi_eff <= '0';
        power_eff <= '0';
    end if;
end if;
if end_disp = '1' then
    if key_debounce(1) = '0' or pah = '1' then
        end_disp <= '0';
        beginning_disp <= '1';
    end if;
end if;
end if;
end process control;

```

-- Registered video signals going to the video DAC

VideoOut: process (clk\_vga, reset\_n)

begin

if reset\_n = '0' then

VGA\_R <= "0000000000";

VGA\_G <= "0000000000";

VGA\_B <= "0000000000";

elsif clk\_vga'event and clk\_vga = '1' then

if plane\_1 = '1' then

VGA\_R <= "1111111111";

VGA\_G <= "1111111111";

VGA\_B <= "0000000000";

elsif plane\_2 = '1' then

VGA\_R <= "1111111111";

VGA\_G <= "0000000000";

```
VGA_B <= "0000000000";
elsif plane_3 = '1' and wudi_eff = '1' then
VGA_R <= "1110110100";
VGA_G <= "0001111100";
VGA_B <= "0100110000";
elsif plane_3 = '1' and wudi_eff = '0' then
VGA_R <= "0111111111";
VGA_G <= "0111111111";
VGA_B <= "0000000000";
elsif plane_4 = '1' then
VGA_R <= "0001101100";
VGA_G <= "0110001100";
VGA_B <= "1110000000";
elsif sel = '1' then
VGA_R <= "1111111111";
VGA_G <= "1111111111";
VGA_B <= "1111111111";
elsif arrow = '1' then
VGA_R <= "1111111111";
VGA_G <= "1111111111";
VGA_B <= "0000000000";
elsif score = '1' then
VGA_R <= "1111111111";
VGA_G <= "1111111111";
VGA_B <= "0000000000";
elsif life = '1' then
VGA_R <= "1111111111";
VGA_G <= "1111111111";
VGA_B <= "0000000000";
elsif life_num = '1' then
VGA_R <= "1111111111";
VGA_G <= "1111111111";
VGA_B <= "0000000000";
```

```
elseif score_num1 = '1' then
  VGA_R <= "1111111111";
  VGA_G <= "1111111111";
  VGA_B <= "0000000000";
elseif score_num2 = '1' then
  VGA_R <= "1111111111";
  VGA_G <= "1111111111";
  VGA_B <= "0000000000";
elseif score_num3 = '1' then
  VGA_R <= "1111111111";
  VGA_G <= "1111111111";
  VGA_B <= "0000000000";
elseif score_num4 = '1' then
  VGA_R <= "1111111111";
  VGA_G <= "1111111111";
  VGA_B <= "0000000000";
elseif mode = '1' then
  VGA_R <= "1111111111";
  VGA_G <= "1111111111";
  VGA_B <= "1111111111";
elseif explode_cor = "00" and explode = '1' then
  VGA_R <= "0111111111";
  VGA_G <= "0000000000";
  VGA_B <= "0000000000";
elseif explode_cor = "01" and explode = '1' then
  VGA_R <= "1111111111";
  VGA_G <= "0000000000";
  VGA_B <= "0000000000";
elseif explode_cor = "10" and explode = '1' then
  VGA_R <= "1111111111";
  VGA_G <= "1111111111";
  VGA_B <= "1111111111";
elseif laser_disp = '1' then
```

```
VGA_R <= "1111111111";
VGA_G <= "1111111111";
VGA_B <= "0000000000";
elsif missile_11 = '1' then
VGA_R <= "1111111111";
VGA_G <= "1111111011";
VGA_B <= "1111101111";
elsif missile_12 = '1' then
VGA_R <= "0111111111";
VGA_G <= "1000000111";
VGA_B <= "1111111000";
elsif missile_21 = '1' then
VGA_R <= "1111111111";
VGA_G <= "1111111011";
VGA_B <= "1111101111";
elsif missile_22 = '1' then
VGA_R <= "0111111111";
VGA_G <= "1000000111";
VGA_B <= "1111111000";
elsif stone_11 = '1' and power_disp = '1' then
VGA_R <= "1111001100";
VGA_G <= "0001101000";
VGA_B <= "0001110100";
elsif stone_12 = '1' and power_disp = '1' then
VGA_R <= "0100000000";
VGA_G <= "0100011100";
VGA_B <= "1100101100";
elsif stone_11 = '1' and power_up = '1' then
VGA_R <= "1111001000";
VGA_G <= "1110101100";
VGA_B <= "0001001100";
elsif stone_11 = '1' and power_up = '0' then
VGA_R <= "1111111111";
```

```
VGA_G <= "1111111111";
VGA_B <= "1111111111";
elsif stone_12 = '1' then
VGA_R <= "1100111111";
VGA_G <= "1100001011";
VGA_B <= "1111101111";
elsif stone_21 = '1' and wudi_disp = '1' then
VGA_R <= "1110110100";
VGA_G <= "0001101000";
VGA_B <= "0010001100";
elsif stone_22 = '1' and wudi_disp = '1' then
VGA_R <= "1111110100";
VGA_G <= "1111000000";
VGA_B <= "0000001000";
elsif stone_21 = '1' and wudi = '1' then
VGA_R <= "0010111000";
VGA_G <= "0101000000";
VGA_B <= "1110011000";
elsif stone_21 = '1' and wudi = '0' then
VGA_R <= "1111111111";
VGA_G <= "1111111111";
VGA_B <= "1111111111";
elsif stone_22 = '1' then
VGA_R <= "1100111111";
VGA_G <= "1100001011";
VGA_B <= "1111101111";
elsif stone_31 = '1' and heart_disp = '1' then
VGA_R <= "1110110100";
VGA_G <= "0001111100";
VGA_B <= "0100110000";
elsif stone_31 = '1' and life_up = '1' then
VGA_R <= "1110110100";
VGA_G <= "0001111100";
```



```

VGA_B <= "0100110000";
elsif stone_31 = '1' and life_up = '0' then
VGA_R <= "1111111111";
VGA_G <= "1111111111";
VGA_B <= "1111111111";
elsif stone_32 = '1' then
VGA_R <= "1100111111";
VGA_G <= "1100001011";
VGA_B <= "1111101111";
elsif stone_41 = '1' then
VGA_R <= "1111111111";
VGA_G <= "1111111111";
VGA_B <= "1111111111";
elsif stone_42 = '1' then
VGA_R <= "1100111111";
VGA_G <= "1100001011";
VGA_B <= "1111101111";
elsif game_mode = '1' and vga_sel = "10" then
    VGA_R(1 downto 0) <= "00";
    VGA_G(1 downto 0) <= "00";
    VGA_B(1 downto 0) <= "00";
    VGA_R(9 downto 2) <=
background_R_begin(TO_INTEGER(unsigned(VGA_DQ(15 downto 12))));
    VGA_G(9 downto 2) <=
background_G_begin(TO_INTEGER(unsigned(VGA_DQ(15 downto 12))));
    VGA_B(9 downto 2) <=
background_B_begin(TO_INTEGER(unsigned(VGA_DQ(15 downto 12))));
    elsif game_mode = '1' and vga_sel = "11" then
        VGA_R(1 downto 0) <= "00";
        VGA_G(1 downto 0) <= "00";
        VGA_B(1 downto 0) <= "00";
        VGA_R(9 downto 2) <=
background_R_begin(TO_INTEGER(unsigned(VGA_DQ(11 downto 8))));

```

```

        VGA_G(9 downto 2) <=
background_G_begin(TO_INTEGER(unsigned(VGA_DQ(11 downto 8))));
        VGA_B(9 downto 2) <=
background_B_begin(TO_INTEGER(unsigned(VGA_DQ(11 downto 8))));
        elsif game_mode = '1' and vga_sel = "00" then
            VGA_R(1 downto 0) <= "00";
            VGA_G(1 downto 0) <= "00";
            VGA_B(1 downto 0) <= "00";
            VGA_R(9 downto 2) <=
background_R_begin(TO_INTEGER(unsigned(VGA_DQ(7 downto 4))));
            VGA_G(9 downto 2) <=
background_G_begin(TO_INTEGER(unsigned(VGA_DQ(7 downto 4))));
            VGA_B(9 downto 2) <=
background_B_begin(TO_INTEGER(unsigned(VGA_DQ(7 downto 4))));
            elsif game_mode = '1' and vga_sel = "01" then
                VGA_R(1 downto 0) <= "00";
                VGA_G(1 downto 0) <= "00";
                VGA_B(1 downto 0) <= "00";
                VGA_R(9 downto 2) <=
background_R_begin(TO_INTEGER(unsigned(VGA_DQ(3 downto 0))));
                VGA_G(9 downto 2) <=
background_G_begin(TO_INTEGER(unsigned(VGA_DQ(3 downto 0))));
                VGA_B(9 downto 2) <=
background_B_begin(TO_INTEGER(unsigned(VGA_DQ(3 downto 0))));
            elsif beginning_disp = '1' and vga_intro_sel = "10" then
                VGA_R(1 downto 0) <= "00";
                VGA_G(1 downto 0) <= "00";
                VGA_B(1 downto 0) <= "00";
                VGA_R(9 downto 2) <= intro_R_begin(TO_INTEGER(unsigned(VGA_DQ(15
downto 12))));
                VGA_G(9 downto 2) <= intro_G_begin(TO_INTEGER(unsigned(VGA_DQ(15
downto 12))));

```

```

VGA_B(9 downto 2) <= intro_B_begin(TO_INTEGER(unsigned(VGA_DQ(15
downto 12))));
elseif beginning_disp = '1' and vga_intro_sel = "11" then
    VGA_R(1 downto 0) <= "00";
    VGA_G(1 downto 0) <= "00";
    VGA_B(1 downto 0) <= "00";
    VGA_R(9 downto 2) <= intro_R_begin(TO_INTEGER(unsigned(VGA_DQ(11
downto 8))));
    VGA_G(9 downto 2) <= intro_G_begin(TO_INTEGER(unsigned(VGA_DQ(11
downto 8))));
    VGA_B(9 downto 2) <= intro_B_begin(TO_INTEGER(unsigned(VGA_DQ(11
downto 8))));
elseif beginning_disp = '1' and vga_intro_sel = "00" then
    VGA_R(1 downto 0) <= "00";
    VGA_G(1 downto 0) <= "00";
    VGA_B(1 downto 0) <= "00";
    VGA_R(9 downto 2) <= intro_R_begin(TO_INTEGER(unsigned(VGA_DQ(7
downto 4))));
    VGA_G(9 downto 2) <= intro_G_begin(TO_INTEGER(unsigned(VGA_DQ(7
downto 4))));
    VGA_B(9 downto 2) <= intro_B_begin(TO_INTEGER(unsigned(VGA_DQ(7
downto 4))));
elseif beginning_disp = '1' and vga_intro_sel = "01" then
    VGA_R(1 downto 0) <= "00";
    VGA_G(1 downto 0) <= "00";
    VGA_B(1 downto 0) <= "00";
    VGA_R(9 downto 2) <= intro_R_begin(TO_INTEGER(unsigned(VGA_DQ(3
downto 0))));
    VGA_G(9 downto 2) <= intro_G_begin(TO_INTEGER(unsigned(VGA_DQ(3
downto 0))));
    VGA_B(9 downto 2) <= intro_B_begin(TO_INTEGER(unsigned(VGA_DQ(3
downto 0))));
elseif end_disp = '1' and vga_end_sel = "10" then

```

```

VGA_R(1 downto 0) <= "00";
VGA_G(1 downto 0) <= "00";
VGA_B(1 downto 0) <= "00";
VGA_R(9 downto 2) <= end_R_begin(TO_INTEGER(unsigned(VGA_DQ(15
downto 12))));
VGA_G(9 downto 2) <= end_G_begin(TO_INTEGER(unsigned(VGA_DQ(15
downto 12))));
VGA_B(9 downto 2) <= end_B_begin(TO_INTEGER(unsigned(VGA_DQ(15
downto 12))));
elseif end_disp = '1' and vga_end_sel = "11" then
VGA_R(1 downto 0) <= "00";
VGA_G(1 downto 0) <= "00";
VGA_B(1 downto 0) <= "00";
VGA_R(9 downto 2) <= end_R_begin(TO_INTEGER(unsigned(VGA_DQ(11
downto 8))));
VGA_G(9 downto 2) <= end_G_begin(TO_INTEGER(unsigned(VGA_DQ(11
downto 8))));
VGA_B(9 downto 2) <= end_B_begin(TO_INTEGER(unsigned(VGA_DQ(11
downto 8))));
elseif end_disp = '1' and vga_end_sel = "00" then
VGA_R(1 downto 0) <= "00";
VGA_G(1 downto 0) <= "00";
VGA_B(1 downto 0) <= "00";
VGA_R(9 downto 2) <= end_R_begin(TO_INTEGER(unsigned(VGA_DQ(7
downto 4))));
VGA_G(9 downto 2) <= end_G_begin(TO_INTEGER(unsigned(VGA_DQ(7
downto 4))));
VGA_B(9 downto 2) <= end_B_begin(TO_INTEGER(unsigned(VGA_DQ(7
downto 4))));
elseif end_disp = '1' and vga_end_sel = "01" then
VGA_R(1 downto 0) <= "00";
VGA_G(1 downto 0) <= "00";
VGA_B(1 downto 0) <= "00";

```

```

        VGA_R(9 downto 2) <= end_R_begin(TO_INTEGER(unsigned(VGA_DQ(3
downto 0))));
        VGA_G(9 downto 2) <= end_G_begin(TO_INTEGER(unsigned(VGA_DQ(3
downto 0))));
        VGA_B(9 downto 2) <= end_B_begin(TO_INTEGER(unsigned(VGA_DQ(3
downto 0))));
    elsif vga_hblank = '0' and vga_vblank = '0' then
        VGA_R <= "0000000000";
        VGA_G <= "0000000000";
        VGA_B <= "0000000000";
    else
        VGA_R <= "0000000000";
        VGA_G <= "0000000000";
        VGA_B <= "0000000000";
    end if;
end if;
end process VideoOut;

VGA_CLK <= clk_vga;
VGA_HS <= not vga_hsync;
VGA_VS <= not vga_vsync;
VGA_SYNC <= '0';
VGA_BLANK <= not (vga_hsync or vga_vsync);

end rtl;

```

FFT\_tb.vhd

--

=====

=====

-- Legal Notice: Copyright (C) 1991-2008 Altera Corporation

-- Any megafunction design, and related net list (encrypted or decrypted),

-- support information, device programming or simulation file, and any other  
-- associated documentation or information provided by Altera or a partner  
-- under Altera's Megafunction Partnership Program may be used only to  
-- program PLD devices (but not masked PLD devices) from Altera. Any other  
-- use of such megafunction design, net list, support information, device  
-- programming or simulation file, or any other related documentation or  
-- information is prohibited for any other purpose, including, but not  
-- limited to modification, reverse engineering, de-compiling, or use with  
-- any other silicon devices, unless such use is explicitly licensed under  
-- a separate agreement with Altera or a megafunction partner. Title to  
-- the intellectual property, including patents, copyrights, trademarks,  
-- trade secrets, or maskworks, embodied in any such megafunction design,  
-- net list, support information, device programming or simulation file, or  
-- any other related documentation or information provided by Altera or a  
-- megafunction partner, remains with Altera, the megafunction partner, or  
-- their respective licensors. No other licenses, including any licenses  
-- needed under any third party's intellectual property, are provided herein.

--

=====

=====

--

library ieee;

use ieee.std\_logic\_1164.all;

use ieee.numeric\_std.all;

use std.textio.all;

entity FFT\_tb is

end FFT\_tb;

architecture tb of FFT\_tb is

constant clk\_time\_step : time := 1 ns;

```

signal clk      : std_logic;
signal reset_n : std_logic;
signal fftpts_in      : std_logic_vector (10 downto 0);
signal fftpts_out     : std_logic_vector (10 downto 0);
signal inverse        : std_logic;
signal sink_valid     : std_logic;
signal sink_sop      : std_logic;
signal sink_eop      : std_logic;
signal sink_error    : std_logic_vector(1 downto 0);
signal sink_real     : std_logic_vector (16 - 1 downto 0);
signal sink_imag     : std_logic_vector (16 - 1 downto 0);
signal source_ready  : std_logic;
signal sink_ready    : std_logic;
signal source_sop    : std_logic;
signal source_eop    : std_logic;
signal source_valid  : std_logic;
signal source_error  : std_logic_vector(1 downto 0);
signal source_real   : std_logic_vector (16 - 1 downto 0);
signal source_imag   : std_logic_vector (16 - 1 downto 0);

constant NUM_FRAMES_c : natural := 2;
-- for testing purposes, the input file contains 2 frames of data of sizes
type      fftpts_list_t is array (NUM_FRAMES_c - 1 downto 0) of natural;
--signal fftpts_array : fftpts_list_t := (1024, 1024, 1024, 1024, 1024, 1024, 1024, 1024,
1024, 1024, 1024, 1024, 1024, 1024, 1024, 1024, 1024, 1024, 1024, 1024);
signal fftpts_array : fftpts_list_t := (1024, 1024);
signal start        : std_logic;
-- number of input frames
signal frames_in_index : natural range 0 to NUM_FRAMES_c := 0;
-- number of output frames
signal frames_out_index : natural range 0 to NUM_FRAMES_c := 0;

signal cnt          : natural range 0 to 1024;

```

```
signal end_test    : std_logic;
-- signal the end of the input data stream and output data stream.
signal end_input   : std_logic;
signal end_output  : std_logic;
```

```
-----
-- FFT Component Declaration
-----
```

```
component FFT is
  port (
    clk          : in  std_logic;
    reset_n      : in  std_logic;
    fftpts_in    : in  std_logic_vector (10 downto 0);
    fftpts_out   : out std_logic_vector (10 downto 0);
    inverse      : in  std_logic;
    sink_valid   : in  std_logic;
    sink_sop     : in  std_logic;
    sink_eop     : in  std_logic;
    sink_real    : in  std_logic_vector (16 - 1 downto 0);
    sink_imag    : in  std_logic_vector (16 - 1 downto 0);
    source_ready : in  std_logic;
    sink_ready   : out std_logic;
    sink_error   : in  std_logic_vector(1 downto 0);
    source_error : out std_logic_vector(1 downto 0);
    source_sop   : out std_logic;
    source_eop   : out std_logic;
    source_valid : out std_logic;
    source_real  : out std_logic_vector (16 - 1 downto 0);
    source_imag  : out std_logic_vector (16 - 1 downto 0)
  );
end component FFT;
```

```
begin
```



-----  
-- Reset Generation  
-----

```
reset_n <= '0',  
        '1' after 92*clk_time_step;
```

-----

-- Clock Generation  
-----

```
clkgen : process  
begin  
    if end_test = '1' and end_output = '1' then  
        clk <= '0';  
        wait;  
    else  
        clk <= '0';  
        wait for 5*clk_time_step;  
        clk <= '1';  
        wait for 5*clk_time_step;  
    end if;  
end process clkgen;
```

-----  
-- Set FFT Direction

```
-- '0' => FFT  
-- '1' => IFFT
```

-----

```
inverse <= '0';
```

-- for example purposes, the ready signal is always asserted.

```
source_ready <= '1';
```

-- no input error

```

sink_error <= (others => '0');

-- start valid for first cycle to indicate that the file reading should start.
start_p : process (clk, reset_n)
begin
    if reset_n = '0' then
        start <= '1';
    elsif rising_edge(clk) then
        if sink_valid = '1' and sink_ready = '1' then
            start <= '0';
        end if;
    end if;
end process start_p;

-- sop and eop asserted in first and last sample of data
cnt_p : process (clk, reset_n)
begin
    if reset_n = '0' then
        cnt <= 0;
    elsif rising_edge(clk) then
        if sink_valid = '1' and sink_ready = '1' then
            if cnt = fftpts_array(frames_in_index) - 1 then
                cnt <= 0;
            else
                cnt <= cnt + 1;
            end if;
        end if;
    end if;
end process cnt_p;

fftpts_in <= std_logic_vector(to_unsigned(fftpts_array(frames_in_index),
fftpts_in'length));

```

```

-- count the input frames and increment the index
increment_index_p : process (clk, reset_n)
begin
    if reset_n = '0' then
        frames_in_index <= 0;
    elsif rising_edge(clk) then
        if sink_eop = '1' and sink_valid = '1' and sink_ready = '1' then
            if frames_in_index < NUM_FRAMES_c - 1 then
                frames_in_index <= frames_in_index + 1;
            end if;
        end if;
    end if;
end process increment_index_p;

-- count the output frames and increment the index
increment_out_index_p : process (clk, reset_n)
begin
    if reset_n = '0' then
        frames_out_index <= 0;
    elsif rising_edge(clk) then
        if source_eop = '1' and source_valid = '1' and source_ready = '1' then
            if frames_out_index < NUM_FRAMES_c - 1 then
                frames_out_index <= frames_out_index + 1;
            end if;
        end if;
    end if;
end process increment_out_index_p;

-- signal when all of the input data has been sent to the DUT
end_input <= '1' when (sink_eop = '1' and sink_valid = '1' and sink_ready = '1' and
(frames_in_index = NUM_FRAMES_c - 1)) else
    '0';

```

```

-- signal when all of the output data has be received from the DUT
end_output <= '1' when source_eop = '1' and source_valid = '1' and source_ready = '1' and
(frames_out_index = NUM_FRAMES_c - 1) else
    '0';

-- generate start and end of packet signals
sink_sop <= '1' when cnt = 0 else
    '0';

sink_eop <= '1' when cnt = fftpts_array(frames_in_index) - 1 else
    '0';

-- halt the input when done
end_test_p : process (clk, reset_n)
begin
    if reset_n = '0' then
        end_test <= '0';
    elsif rising_edge(clk) then
        if end_input = '1' then
            end_test <= '1';
        end if;
    end if;
end process end_test_p;

-----

-- Read input data from files
-----

testbench_i : process(clk) is
    file r_file      : text open read_mode is "FFT_real_input.txt";
    variable data_r : integer;
    variable rdata   : line;
    file i_file      : text open read_mode is "FFT_imag_input.txt";

```

```

variable idata : line;
variable data_i : integer;

begin
  if(reset_n = '0') then
    sink_real  <= std_logic_vector(to_signed(0, 16));
    sink_imag  <= std_logic_vector(to_signed(0, 16));
    sink_valid <= '0';
  elsif rising_edge(clk) then

    -- send in NUM_FRAMES_c of data or until the end of the file
    if not endfile(r_file) and (end_input = '0' and end_test = '0') then
      if((sink_valid = '1' and sink_ready = '1') or
         (start = '1' and not (sink_valid = '1' and sink_ready = '0'))) then
        readline(r_file, rdata);
        read(rdata, data_r);
        readline(i_file, idata);
        read(idata, data_i);
        sink_valid <= '1';
        sink_real  <= std_logic_vector(to_signed(data_r, 16));
        sink_imag  <= std_logic_vector(to_signed(data_i, 16));
      else
        sink_valid <= '1';
        sink_real  <= sink_real;
        sink_imag  <= sink_imag;
      end if;
    else
      sink_valid <= '0';
      sink_real <= std_logic_vector(to_signed(0, 16));
      sink_imag <= std_logic_vector(to_signed(0, 16));
    end if;
  end if;

end process testbench_i;

```

```
-----  
-- Write Real and Imaginary Components and Block Exponent to Files  
-----
```

```
testbench_o : process(clk, reset_n) is  
    file ro_file    : text open write_mode is "FFT_real_output_vhd.txt";  
    variable rdata  : line;  
    variable data_r : integer;  
    file io_file    : text open write_mode is "FFT_imag_output_vhd.txt";  
    variable idata  : line;  
    variable data_i : integer;  
begin  
    if rising_edge(clk) and reset_n = '1' then  
        if(source_valid = '1' and source_ready = '1') then  
            data_r := to_integer(signed(source_real));  
            data_i := to_integer(signed(source_imag));  
            write(rdata, data_r);  
            writeline(ro_file, rdata);  
            write(idata, data_i);  
            writeline(io_file, idata);  
        end if;  
    end if;  
end process testbench_o;
```

```
-----  
-- Write the blocks sizes and inverse generated to files  
-----
```

```
blksize_report_o : process(clk) is  
    file blk_file    : text open write_mode is "FFT_blksize_report.txt";  
    variable blkdata : line;  
    variable data_blk : integer;  
    file inv_file    : text open write_mode is "FFT_inverse_report.txt";
```

```
variable invdata : line;
variable data_inv : bit;

begin
  if rising_edge(clk) then
    if(sink_valid = '1' and sink_ready = '1' and sink_sop = '1') then
      data_blk := to_integer(unsigned(fftps_in));
      write(blkdata, data_blk);
      writeline(blk_file, blkdata);
      data_inv := to_bit('0');
      write(invdata, data_inv);
      writeline(inv_file, invdata);
    end if;
  end if;
end process blksize_report_o;
```

---

```
-- FFT Component Instantiation
```

---

```
FFT_inst : FFT
  port map (
    clk          => clk,
    reset_n      => reset_n,
    fftpts_in    => fftpts_in,
    fftpts_out   => fftpts_out,
    inverse      => inverse,
    sink_valid   => sink_valid,
    sink_sop     => sink_sop,
    sink_eop     => sink_eop,
    sink_real    => sink_real,
    sink_imag    => sink_imag,
    sink_error   => sink_error,
    source_error => source_error,
```

```

    source_ready => source_ready,
    sink_ready   => sink_ready,
    source_sop   => source_sop,
    source_eop   => source_eop,
    source_valid => source_valid,
    source_real  => source_real,
    source_imag  => source_imag);

end tb;

PowerGen.vhd

LIBRARY ieee;
    USE ieee.std_logic_1164.all;
    USE ieee.std_logic_unsigned.all;

ENTITY PowerGen IS
    PORT (
        source_real  : IN STD_LOGIC_VECTOR (15 DOWNTO 0);
        source_imag  : IN STD_LOGIC_VECTOR (15 DOWNTO 0);
        power_out    : OUT STD_LOGIC_VECTOR (15 DOWNTO 0)
    );
END PowerGen;

ARCHITECTURE connect OF PowerGen IS

component Power IS
    PORT (
        realAbs      : IN STD_LOGIC_VECTOR (15 DOWNTO 0);
        imagAbs      : IN STD_LOGIC_VECTOR (15 DOWNTO 0);
        power_out    : OUT STD_LOGIC_VECTOR (15 DOWNTO 0)
    );

```



end component;

component AbsGen IS

```
PORT (  
    source_real  : IN STD_LOGIC_VECTOR (15 DOWNT0 0);  
    source_imag  : IN STD_LOGIC_VECTOR (15 DOWNT0 0);  
    realAbs      : OUT STD_LOGIC_VECTOR (15 DOWNT0 0);  
    imagAbs      : OUT STD_LOGIC_VECTOR (15 DOWNT0 0)  
);
```

end component;

```
SIGNAL realAbs : STD_LOGIC_VECTOR(15 DOWNT0 0);
```

```
SIGNAL imagAbs : STD_LOGIC_VECTOR(15 DOWNT0 0);
```

```
BEGIN
```

```
AbsoluteValue: AbsGen port map ( source_real, source_imag, realAbs, imagAbs);
```

```
PowerValue: Power port map ( realAbs, imagAbs, power_out);
```

END connect;

FFToutcontrol.vhd

```
LIBRARY ieee;
```

```
USE ieee.std_logic_1164.all;
```

```
USE ieee.std_logic_unsigned.all;
```

ENTITY FFToutControl IS

```
PORT (  
    clk           : IN  STD_LOGIC;  
    reset_n       : IN  STD_LOGIC;  
    sink_sop      : IN  STD_LOGIC;  
    source_eop    : IN  STD_LOGIC;  
    source_valid  : IN  STD_LOGIC;  
    data_in       : IN  STD_LOGIC_VECTOR (15 DOWNT0 0);  
    data_out      : OUT STD_LOGIC_VECTOR (15 DOWNT0 0);
```

```

        wren                : OUT STD_LOGIC;
        FFTdone             : OUT STD_LOGIC;
        write_addr          : OUT STD_LOGIC_VECTOR( 9 DOWNTO 0)
    );
END FFToutControl;

```

ARCHITECTURE logic OF FFToutControl IS

```

SIGNAL outcount           : STD_LOGIC_VECTOR ( 9 DOWNTO 0);

```

```

BEGIN

```

```

    write_addr <= outcount;

```

```

    PROCESS (Clk)

```

```

    BEGIN

```

```

        IF (Clk'EVENT AND Clk = '1') THEN

```

```

            IF (sink_sop = '1' OR reset_n = '0') THEN

```

```

                FFTdone <= '0';

```

```

            ELSIF (source_eop = '1') THEN

```

```

                FFTdone <= '1';

```

```

            ELSE

```

```

                FFTdone <= '0';

```

```

            END IF;

```

```

        IF (source_valid = '1') THEN

```

```

            IF (outcount < 511) THEN

```

```

                wren <= '1';

```

```

                data_out <= data_in;

```

```

            ELSE

```

```

                wren <= '0';

```

```

                data_out <= (others => '0');

```

```

            END IF;

```

```

        IF (source_eop = '1') THEN

```

```

            outcount <= (others => '0');

```

```

        ELSE

```

```

        outcount <= outcount + '1';
    END IF;
ELSE
    wren <= '0';
END IF;
END IF;
END PROCESS;
END logic;

```

FFTinControl.vhd

```

LIBRARY ieee;
USE ieee.std_logic_1164.all;
USE ieee.std_logic_unsigned.all;

```

entity FFTinControl is

port

(

```

    iReset      : IN  STD_LOGIC;
    iStart      : IN  STD_LOGIC;
    iClk        : IN  STD_LOGIC;
    iSink_ready : IN  STD_LOGIC;
    oFFTpts     : OUT STD_LOGIC_VECTOR(10 DOWNTO 0);
    oSink_real_en : OUT STD_LOGIC;
    oSink_imag  : OUT STD_LOGIC_VECTOR(15 DOWNTO 0);
    oRead_Addr  : OUT STD_LOGIC_VECTOR( 9 DOWNTO 0);
    oInverse    : OUT STD_LOGIC;
    oSource_ready : OUT STD_LOGIC;
    oSink_valid : OUT STD_LOGIC;
    oSink_eop   : OUT STD_LOGIC;
    oSink_sop   : OUT STD_LOGIC;

```

```
        oSink_error      : OUT STD_LOGIC_VECTOR(1 DOWNTO 0)

    );

end entity;
```

architecture rtl of FFTinControl is

```
-- Build an enumerated type for the state machine
type state_type is (INSOP, INING1, INING2, INEOP, INWAIT);
-- Register to hold the current state
signal instate : state_type;
signal incount : std_LOGIC_VECTOR ( 9 downto 0);
```

begin

```
oSource_ready <= '1';
oSink_error <= "00";
oSink_imag <= (others => '0');
oRead_Addr <= incount;
oFFTpts <= "10000000000";
oInverse <= '0';

process (iClk, iReset)
begin
    if iReset = '1' then
        oSink_real_en <= '0';
        oSink_valid <= '0';
        incount <= (others => '0');
        instate <= INWAIT;
```

```
elsif (rising_edge(iClk)) then
```

```
  case instate is
```

```
    WHEN INSOP =>
```

```
      oSink_sop <= '1';
```

```
      oSink_eop <= '0';
```

```
      oSink_valid <= '1';
```

```
      oSink_real_en <= '1';
```

```
      incount(0) <= '1';
```

```
      incount(9 downto 1) <=(others =>'0');
```

```
      if (iSink_ready = '1') then
```

```
        instate <= INING1;
```

```
      else
```

```
        instate <= INING2;
```

```
      end if;
```

```
    WHEN INING1 =>
```

```
      oSink_sop <= '0';
```

```
      oSink_eop <= '0';
```

```
      oSink_real_en <= '1';
```

```
    IF (incount = (1024 - 2)) THEN
```

```
      instate <= INEOP;
```

```
    ELSE
```

```
      IF (iSink_ready = '1') THEN
```

```
        incount <= incount + '1';
```

```
        instate <= INING1;
```

```
      ELSE
```

```
        incount <= incount;
```

```
        instate <= INING2;
```

```
    END IF;
```

```
  END IF;
```

```
WHEN INING2 =>
    oSink_sop <= '0';
oSink_eop <= '0';
oSink_real_en <= '1';

IF (incount = (1024 - 2)) THEN
    instate <= INEOP;
ELSE
    IF (iSink_ready = '1') THEN
        incount <= incount + '1';
        instate <= INING1;
    ELSE
        incount <= incount;
        instate <= INING2;
    END IF;
END IF;
```

```
WHEN INEOP =>
    oSink_sop <= '0';
oSink_eop <= '1';
oSink_real_en <= '1';
instate <= INWAIT;
```

```
WHEN INWAIT =>
    oSink_real_en <= '0';
    oSink_sop <= '0';
oSink_eop <= '0';
oSink_valid <= '0';
    incount <= (others =>'0');
IF (iStart = '1') AND (iSink_ready = '1') THEN
    instate <= INSOP;
ELSE
    instate <= INWAIT;
```

```

        END IF;

        WHEN others =>
oSink_real_en <= '0';
oSink_eop <= '0';
oSink_valid <= '0';
        incount <= (others =>'0');
        IF (iStart = '1') THEN
            instate <= INSOP;
        ELSE
            instate <= INWAIT;
        END IF;

    end case;
end if;
end process;
end rtl;

Sink_real_mux.vhd
LIBRARY ieee;
    USE ieee.std_logic_1164.all;
    USE ieee.std_logic_unsigned.all;

entity Sink_real_mux is

    port

    (

        iSamp          : IN  STD_LOGIC_VECTOR(15 DOWNT0 0);
        iSink_real_en  : IN  STD_LOGIC;
        oSink_real     : OUT STD_LOGIC_VECTOR(15 DOWNT0 0)
    );

```

```
end entity;
```

```
architecture logic of Sink_real_mux is
```

```
begin
```

```
    process(iSink_real_en, iSamp) begin
```

```
        if iSink_real_en = '1' then
```

```
            oSink_real <= iSamp;
```

```
        else
```

```
            oSink_real <= (others=>'Z');
```

```
        end if;
```

```
    end process;
```

```
end logic;
```

```
FFT_top.vhd
```

```
library ieee;
```

```
use ieee.std_logic_1164.all;
```

```
use ieee.numeric_std.all;
```

```
use ieee.std_logic_unsigned.all;
```

```
entity FFT_top is
```

```
    port (
```

```
        clock          : in  std_logic;
```

```
        reset          : in  std_logic;
```

```
        start          : in  std_logic;
```

```
        data_in        : in  std_logic_vector ( 15 downto 0 );
```

```
        data_out        : out std_logic_vector ( 15 downto 0 );
```

```
        read_addr       : out std_logic_vector (  9 downto 0 );
```

```
        write_addr      : out std_logic_vector (  9 downto 0 );
```

```
        wren             : out std_logic;
```

```
        FFTdone         : out std_logic
```

```
    );
```

```
end FFT_top;
```



architecture whole of FFT\_top is

--component declaration

component FFT

```
port (  
    clk : IN STD_LOGIC;  
    reset_n : IN STD_LOGIC;  
    fftpts_in : IN STD_LOGIC_VECTOR (10 DOWNTO 0);  
    inverse : IN STD_LOGIC;  
    sink_valid : IN STD_LOGIC;  
    sink_sop : IN STD_LOGIC;  
    sink_eop : IN STD_LOGIC;  
    sink_real : IN STD_LOGIC_VECTOR (15 DOWNTO 0);  
    sink_imag : IN STD_LOGIC_VECTOR (15 DOWNTO 0);  
    sink_error : IN STD_LOGIC_VECTOR (1 DOWNTO 0);  
    source_ready : IN STD_LOGIC;  
    fftpts_out : OUT STD_LOGIC_VECTOR (10 DOWNTO 0);  
    sink_ready : OUT STD_LOGIC;  
    source_error : OUT STD_LOGIC_VECTOR (1 DOWNTO 0);  
    source_sop : OUT STD_LOGIC;  
    source_eop : OUT STD_LOGIC;  
    source_valid : OUT STD_LOGIC;  
    source_real : OUT STD_LOGIC_VECTOR (15 DOWNTO 0);  
    source_imag : OUT STD_LOGIC_VECTOR (15 DOWNTO 0)  
);  
end component;
```

component FFTinControl

```
port  
(  
    iReset : IN STD_LOGIC;
```

```

iStart      : IN  STD_LOGIC;
iClk        : IN  STD_LOGIC;
  iSink_ready : IN STD_LOGIC;
oFFTpts     : OUT STD_LOGIC_VECTOR(10 DOWNT0 0);
oSink_real_en : OUT STD_LOGIC;
oSink_imag  : OUT STD_LOGIC_VECTOR(15 DOWNT0 0);
  oRead_Addr  : OUT STD_LOGIC_VECTOR( 9 DOWNT0 0);
oInverse    : OUT STD_LOGIC;
  oSource_ready : OUT STD_LOGIC;
  oSink_valid   : OUT STD_LOGIC;
  oSink_eop    : OUT STD_LOGIC;
  oSink_sop    : OUT STD_LOGIC;
  oSink_error  : OUT STD_LOGIC_VECTOR(1 DOWNT0 0)
);
end component;

```

```

component Sink_real_mux

```

```

  port
  (
    iSamp      : IN  STD_LOGIC_VECTOR(15 DOWNT0 0);
    iSink_real_en : IN  STD_LOGIC;
    oSink_real  : OUT STD_LOGIC_VECTOR(15 DOWNT0 0)
  );
end component;

```

```

component FFToutControl IS

```

```

  port (
    clk          : IN STD_LOGIC;
    reset_n     : IN STD_LOGIC;
    sink_sop    : IN STD_LOGIC;
    source_eop  : IN STD_LOGIC;
    source_valid : IN STD_LOGIC;
    data_in     : IN STD_LOGIC_VECTOR (15 DOWNT0 0);

```

```

        data_out      : OUT STD_LOGIC_VECTOR (15 DOWNT0 0);
        wren          : OUT STD_LOGIC;
        FFTdone      : OUT STD_LOGIC;
        write_addr   : OUT STD_LOGIC_VECTOR( 9 DOWNT0 0)
    );
end component;

```

component PowerGen IS

```

    PORT (
        source_real  : IN STD_LOGIC_VECTOR (15 DOWNT0 0);
        source_imag  : IN STD_LOGIC_VECTOR (15 DOWNT0 0);
        power_out    : OUT STD_LOGIC_VECTOR (15 DOWNT0 0)
    );
end component;

```

--signal declaration

```

signal reset_n      : STD_LOGIC;
signal sink_real_en : STD_LOGIC;
signal inverse      : STD_LOGIC;
signal source_ready : STD_LOGIC;
signal sink_ready   : STD_LOGIC;
signal sink_valid   : STD_LOGIC;
signal source_valid : STD_LOGIC;
signal sink_eop     : STD_LOGIC;
signal sink_sop     : STD_LOGIC;
signal source_eop   : STD_LOGIC;
signal source_sop   : STD_LOGIC;
signal sink_error   : STD_LOGIC_VECTOR ( 1 DOWNT0 0);
signal source_error : STD_LOGIC_VECTOR ( 1 DOWNT0 0);
signal FFTpts      : STD_LOGIC_VECTOR (10 DOWNT0 0);
signal FFTpts_out  : STD_LOGIC_VECTOR (10 DOWNT0 0);
signal sink_imag    : STD_LOGIC_VECTOR (15 DOWNT0 0);
signal sink_real    : STD_LOGIC_VECTOR (15 DOWNT0 0);

```

```

signal source_imag    : STD_LOGIC_VECTOR (15 DOWNT0 0);
signal source_real   : STD_LOGIC_VECTOR (15 DOWNT0 0);
signal power_out     : STD_LOGIC_VECTOR (15 DOWNT0 0);
--component connection
begin
reset_n <= not reset;
inControl: FFTinControl port map ( reset, start, clock, sink_ready, FFTpts, sink_real_en,
sink_imag, read_addr, inverse, source_ready, sink_valid, sink_eop, sink_sop, sink_error);
Real_control: sink_real_mux port map( data_in, sink_real_en, sink_real);
FFTcore: FFT port map ( clock, reset_n, FFTpts, inverse, sink_valid, sink_sop, sink_eop,
sink_real, sink_imag, sink_error, source_ready, FFTpts_out, sink_ready, source_error,
source_sop, source_eop, source_valid, source_real, source_imag);
PowerGenerator: PowerGen port map ( source_real, source_imag, power_out);
outControl: FFToutControl port map ( clock, reset_n, sink_sop, source_eop, source_valid,
power_out, data_out, wren, FFTdone, write_addr);

```

```
end whole;
```

```
AbsGen.vhd
```

```
LIBRARY ieee;
```

```
USE ieee.std_logic_1164.all;
```

```
USE ieee.std_logic_unsigned.all;
```

```
ENTITY AbsGen IS
```

```
PORT (
```

```
source_real : IN STD_LOGIC_VECTOR (15 DOWNT0 0);
```

```
source_imag : IN STD_LOGIC_VECTOR (15 DOWNT0 0);
```

```
realAbs     : OUT STD_LOGIC_VECTOR (15 DOWNT0 0);
```

```
imagAbs     : OUT STD_LOGIC_VECTOR (15 DOWNT0 0)
```

```
);
```

```
END AbsGen;
```

```
ARCHITECTURE logic OF AbsGen IS
```

```
BEGIN
```

```

PROCESS(source_real,source_imag) BEGIN
    if (source_real(15) = '1') then
        realAbs <= source_real XOR "1111111111111111";
    else
        realAbs <= source_real;
    end if;
    if (source_imag(15) = '1') then
        imagAbs <= source_imag XOR "1111111111111111";
    else
        imagAbs <= source_imag;
    end if;
END PROCESS;
END logic;

```

Power.vhd

```

LIBRARY ieee;
USE ieee.std_logic_1164.all;
USE ieee.std_logic_unsigned.all;

ENTITY Power IS
    PORT (
        realAbs      : IN STD_LOGIC_VECTOR (15 DOWNTO 0);
        imagAbs      : IN STD_LOGIC_VECTOR (15 DOWNTO 0);
        power_out    : OUT STD_LOGIC_VECTOR (15 DOWNTO 0)
    );
END Power;

```

```

ARCHITECTURE logic OF Power IS
    BEGIN
        PROCESS(realAbs,imagAbs) BEGIN
            if (realAbs > imagAbs) then
                power_out <= realAbs + ('0'&imagAbs (15 downto 1));
            end if;
        END PROCESS;
    END ARCHITECTURE logic;

```

```

        else
            power_out <= imagAbs + ('0' & realAbs (15 downto 1));
        end if;
    END PROCESS;
END logic;

```

FFT\_top\_tb.vhd

```

library ieee;

```

```

use ieee.std_logic_1164.all;

```

```

use ieee.numeric_std.all;

```

```

use std.textio.all;

```

```

entity FFT_top_tb is

```

```

end FFT_top_tb;

```

```

architecture tb of FFT_top_tb is

```

```

    constant clk_time_step : time := 1 ns;

```

```

    signal clk          : std_logic;

```

```

    signal reset       : std_logic;

```

```

    signal wren        : std_logic;

```

```

    signal FFTdone     : std_logic;

```

```

    signal read_addr : std_logic_vector ( 9 downto 0 );

```

```

    signal write_addr : std_logic_vector ( 8 downto 0 );

```

```

    signal sink_real  : std_logic_vector (16 - 1 downto 0);

```

```

    signal sink_imag  : std_logic_vector (16 - 1 downto 0);

```

```

    signal source_real : std_logic_vector (16 - 1 downto 0);

```

```

    signal source_imag : std_logic_vector (16 - 1 downto 0);

```

```

    constant NUM_FRAMES_c : natural := 20;

```

```

    -- for testing purposes, the input file contains 2 frames of data of sizes

```

```

    type      fftpts_list_t is array (NUM_FRAMES_c - 1 downto 0) of natural;

```

```

    signal fftpts_array : fftpts_list_t := (1024, 1024, 1024, 1024, 1024, 1024, 1024, 1024, 1024,
1024, 1024, 1024, 1024, 1024, 1024, 1024, 1024, 1024, 1024, 1024);
    --signal fftpts_array : fftpts_list_t := (1024, 1024);
    signal start          : std_logic;
    -- number of input frames
    signal frames_in_index : natural range 0 to NUM_FRAMES_c := 0;
    -- number of output frames
    signal frames_out_index : natural range 0 to NUM_FRAMES_c := 0;

    signal cnt          : natural range 0 to 1024;
    signal end_test     : std_logic;
    -- signal the end of the input data stream and output data stream.
    signal end_input    : std_logic;
    signal end_output   : std_logic;

```

---

```

-- FFT_top Component Declaration

```

---

```

component FFT_top

```

```

    port (

```

```

        clock          : in  std_logic;
        reset          : in  std_logic;
        start          : in  std_logic;
        data_in        : in  std_logic_vector ( 15 downto 0 );
        data_out       : out std_logic_vector ( 15 downto 0 );
        read_addr      : out std_logic_vector (  9 downto 0 );
        write_addr     : out std_logic_vector (  8 downto 0 );
        wren           : out std_logic;
        FFTdone        : out std_logic

```

```

    );

```

```

end component;

```

```

begin
-----
-- Reset Generation
-----
reset  <= '1',
        '0' after 92*clk_time_step;
-----

-- Clock Generation
-----

clkgen : process
begin
    if end_test = '1' and end_output = '1' then
        clk <= '0';
        wait;
    else
        clk <= '0';
        wait for 5*clk_time_step;
        clk <= '1';
        wait for 5*clk_time_step;
    end if;
end process clkgen;

-- start valid for first cycle to indicate that the file reading should start.
start_p : process (clk, reset)
begin
    if reset = '1' then
        start <= '1';
--    elsif rising_edge(clk) then
--        if sink_valid = '1' and sink_ready = '1' then
--            start <= '0';
--        end if;

```



```

    end if;
end process start_p;

-- count the input frames and increment the index
increment_index_p : process (clk, reset)
begin
    if reset = '1' then
        frames_in_index <= 0;
    elsif rising_edge(clk) then
        if read_addr = "1111111111" then
            if frames_in_index < NUM_FRAMES_c - 1 then
                frames_in_index <= frames_in_index + 1;
            end if;
        end if;
    end if;
end process increment_index_p;

-- count the output frames and increment the index
increment_out_index_p : process (clk, reset)
begin
    if reset = '1' then
        frames_out_index <= 0;
    elsif rising_edge(clk) then
        if FFTdone = '1' then
            if frames_out_index < NUM_FRAMES_c - 1 then
                frames_out_index <= frames_out_index + 1;
            end if;
        end if;
    end if;
end process increment_out_index_p;

-- signal when all of the input data has been sent to the DUT

```

```
end_input <= '1' when ((frames_in_index = NUM_FRAMES_c - 1)) else
    '0';
```

```
-- signal when all of the output data has be received from the DUT
```

```
end_output <= '1' when (frames_out_index = NUM_FRAMES_c - 1) else
    '0';
```

```
-- halt the input when done
```

```
end_test_p : process (clk, reset)
```

```
begin
```

```
    if reset = '1' then
```

```
        end_test <= '0';
```

```
    elsif rising_edge(clk) then
```

```
        if end_input = '1' then
```

```
            end_test <= '1';
```

```
        end if;
```

```
    end if;
```

```
end process end_test_p;
```

```
-----  
-- Read input data from files  
-----
```

```
testbench_i : process(clk) is
```

```
    file r_file      : text open read_mode is "FFT_real_input.txt";
```

```
    variable data_r : integer;
```

```
    variable rdata  : line;
```

```
    file i_file      : text open read_mode is "FFT_imag_input.txt";
```

```
    variable idata  : line;
```

```
    variable data_i : integer;
```

```
begin
```

```
    if(reset = '1') then
```

```
        sink_real <= std_logic_vector(to_signed(0, 16));
```

```
        sink_imag <= std_logic_vector(to_signed(0, 16));
```

```

--      sink_valid <= '0';
    elsif rising_edge(clk) then

        -- send in NUM_FRAMES_c of data or until the end of the file
        if not endfile(r_file) and (end_input = '0' and end_test = '0') then
            if (start = '1') then
                readline(r_file, rdata);
                read(rdata, data_r);
                readline(i_file, idata);
                read(idata, data_i);
            --      sink_valid <= '1';
                sink_real  <= std_logic_vector(to_signed(data_r, 16));
                sink_imag  <= std_logic_vector(to_signed(data_i, 16));
            else
            --      sink_valid <= '1';
                sink_real  <= sink_real;
                sink_imag  <= sink_imag;
            end if;

        else
            --      sink_valid <= '0';
                sink_real <= std_logic_vector(to_signed(0, 16));
                sink_imag <= std_logic_vector(to_signed(0, 16));
            end if;
        end if;

    end process testbench_i;

-----

-- Write Real and Imaginary Components and Block Exponent to Files
-----

testbench_o : process(clk, reset) is

```

```

file ro_file    : text open write_mode is "FFT_power_output_vhd.txt";
variable rdata : line;
variable data_r : integer;
file io_file    : text open write_mode is "FFT_address_output_vhd.txt";
variable idata : line;
variable data_i : integer;
begin
  if rising_edge(clk) and reset = '0' then
    if(wren = '1') then
      data_r := to_integer(signed(source_real));
      data_i := to_integer(signed(write_addr));
      write(rdata, data_r);
      writeline(ro_file, rdata);
      write(idata, data_i);
      writeline(io_file, idata);
    end if;
  end if;
end process testbench_o;

```

---

```

-- FFT Component Instantiation

```

---

```

FFT_inst : FFT_top

```

```

  port map (

```

```

    clk,

```

```

    reset,

```

```

    start,

```

```

    sink_real,

```

```

    source_real,

```

```

      read_addr,

```

```

      write_addr,

```

```

      wren,

```

```
    FFTdone);
```

```
end tb;
```

```
AhGen.vhd
```

```
LIBRARY ieee;
```

```
    USE ieee.std_logic_1164.all;
```

```
    USE ieee.std_logic_unsigned.all;
```

```
ENTITY AhGen IS
```

```
    PORT (
```

```
        clk          : IN  STD_LOGIC;
```

```
        rst          : IN  STD_LOGIC;
```

```
        power        : IN  STD_LOGIC_VECTOR (15 DOWNTO 0);
```

```
        addr         : IN  STD_LOGIC_VECTOR ( 9 DOWNTO 0);
```

```
        wren         : IN  STD_LOGIC;
```

```
        addr_out     : OUT STD_LOGIC_VECTOR ( 9 DOWNTO 0);
```

```
        data_done    : OUT STD_LOGIC
```

```
    );
```

```
END AhGen;
```

```
ARCHITECTURE logic OF AhGen IS
```

```
    signal pdata  : std_logic_vector (15 downto 0);
```

```
    signal cdata  : std_logic_vector (15 downto 0);
```

```
    signal paddr  : std_logic_vector ( 9 downto 0);
```

```
    signal caddr  : std_logic_vector ( 9 downto 0);
```

```
    BEGIN
```

```
        cdata <= power;
```

```
        caddr <= addr;
```

```
        addr_out <= paddr;
```

```
    PROCESS(clk,paddr) BEGIN
```

```
        if (rising_edge(clk)) then
```

```
            if rst = '1' or wren = '0'then
```

```

        pdata <= (others=>'0');
        paddr <= (others=>'0');
    elsif (addr > "0000000001") and (addr < "0000100000") and wren = '1' then
        if (pdata < cdata) then
            pdata <= cdata;
            paddr <= caddr;
            data_done <= '0';
        else
            pdata <= pdata;
            paddr <= paddr;
            data_done <= '0';
        end if;
    else
        data_done <= '1';
    end if;
end if;

```

```

    END PROCESS;

```

```

END logic;

```

AhCompare.vhd

```

LIBRARY ieee;

```

```

    USE ieee.std_logic_1164.all;

```

```

    USE ieee.std_logic_unsigned.all;

```

```

ENTITY AhCompare IS

```

```

    PORT (

```

```

        clk          : IN  STD_LOGIC;

```

```

        addr         : IN  STD_LOGIC_VECTOR ( 9 DOWNTO 0);

```

```

        rst          : IN  STD_LOGIC;

```

```

        data_done    : IN  STD_LOGIC;

```

```

        wren         : IN  STD_LOGIC;

```

```

        down_slow  : OUT STD_LOGIC;
        up_slow    : OUT STD_LOGIC;
        hold       : OUT STD_LOGIC
    );
END AhCompare;

```

#### ARCHITECTURE logic OF AhCompare IS

```

--signal paddr : std_logic_vector ( 9 downto 0);
--signal caddr : std_logic_vector ( 9 downto 0);
--signal addr1 : std_logic_vector ( 9 downto 0);
--signal addr2 : std_logic_vector ( 9 downto 0);
--signal addr3 : std_logic_vector ( 9 downto 0);
--signal addr4 : std_logic_vector ( 9 downto 0);
--signal addr_buffer    : std_logic_vector ( 9 downto 0);
--signal paddr_temp     : std_logic_vector ( 10 downto 0);
--signal caddr_temp     : std_logic_vector ( 10 downto 0);
--signal flag1 : std_logic;
--signal flag2 : std_logic;
--
-- BEGIN
-- PROCESS(clk, addr, data_done, rst, wren, clk, paddr, caddr, addr1, addr2, addr3, addr4)
BEGIN
--     if rising_edge(clk) then
--         if rst = '1' then
--             addr1 <= (others=>'0');
--             addr2 <= (others=>'0');
--             addr3 <= (others=>'0');
--             addr4 <= (others=>'0');

```

```

--      flag1 <= '0';
--      flag2 <= '0';
--      elsif wren = '0' and flag1 = '0' then
--          addr4 <= addr_buffer;
--          addr3 <= addr4;
--          addr2 <= addr3;
--          addr1 <= addr2;
--          flag1 <= '1';
--          flag2 <= '0';
--      elsif (data_done = '1') and wren = '1' and flag2 = '0' then
--          addr_buffer <= addr;
--          flag2 <= '1';
--          flag1 <= '0';
--      else
--          addr_buffer <= addr_buffer;
--      end if;
--      end if;
--  end process;
--
--      paddr_temp <= ('0'&addr1)+'('0'&addr2);
--      caddr_temp <= ('0'&addr3)+'('0'&addr4);
--      paddr <= paddr_temp(9 downto 0);
--      caddr <= caddr_temp(9 downto 0);

signal paddr  : std_logic_vector ( 9 downto 0);
signal caddr  : std_logic_vector ( 9 downto 0);

begin
    PROCESS(addr, data_done, rst, wren, clk, paddr, caddr) BEGIN
        if rst = '1' then
            paddr <= (others=>'0');
            caddr <= (others=>'0');
        elsif wren = '0' then

```



```
paddr <= caddr;
elsif (data_done = '1') and wren = '1' then
    caddr <= addr;
else
    caddr <= caddr;
end if;

if caddr <= "0000000011" then
    down_slow <= '0';
    up_slow <= '0';
    hold <= '0';
elsif caddr > paddr + "000000001" then
    if paddr = "000000000" then
        down_slow <= '0';
        up_slow <= '0';
        hold <= '1';
    else
        down_slow <= '0';
        up_slow <= '0';
        hold <= '0';
    end if;
elsif caddr > paddr then
    if paddr = "000000000" then
        down_slow <= '0';
        up_slow <= '0';
        hold <= '1';
    else
        down_slow <= '0';
        up_slow <= '1';
        hold <= '0';
    end if;
elsif caddr = paddr and paddr /= "000000000" then
    down_slow <= '0';
```

```

        up_slow <= '0';
        hold <= '1';
    elsif caddr = paddr - "0000000001" then
        if caddr = "0000000000" then
            down_slow <= '0';
            up_slow <= '0';
            hold <= '0';
        else
            down_slow <= '1';
            up_slow <= '0';
            hold <= '0';
        end if;
    else
        down_slow <= '0';
        up_slow <= '0';
        hold <= '0';
    end if;
END PROCESS;
END logic;

```

Ah\_Generation\_top.vhd

```

LIBRARY ieee;

```

```

    USE ieee.std_logic_1164.all;

```

```

    USE ieee.std_logic_unsigned.all;

```

```

ENTITY Ah_Generation_top IS

```

```

    PORT (

```

```

        clock          : in  std_logic;

```

```

        reset          : in  std_logic;

```

```

        start          : in  std_logic;

```

```

        data_in        : in  std_logic_vector ( 15 downto 0 );

```

```

        read_addr      : out std_logic_vector ( 9 downto 0 );

```

```

        down_slow      : out std_logic;
        up_slow        : out std_logic;
        hold            : out std_logic;
        wren            : buffer std_logic
    );
END Ah_Generation_top;

```

ARCHITECTURE connection OF Ah\_Generation\_top IS

```

component QC15
    PORT (
        data_in      : IN  STD_LOGIC_VECTOR ( 15 DOWNT0 0);
        data_out     : OUT STD_LOGIC_VECTOR ( 15 DOWNT0 0)
    );
END component;

```

```

component FFT_top
    port (
        clock          : in  std_logic;
        reset          : in  std_logic;
        start          : in  std_logic;
        data_in        : in  std_logic_vector ( 15 downto 0 );
        data_out       : out std_logic_vector ( 15 downto 0 );
        read_addr      : out std_logic_vector ( 9  downto 0 );
        write_addr     : out std_logic_vector ( 9  downto 0 );
        wren            : out std_logic;
        FFTdone        : out std_logic
    );
end component;

```

```

component AhCompare
    PORT (
        clk            : IN  STD_LOGIC;

```

```

        addr          : IN  STD_LOGIC_VECTOR ( 9 DOWNT0 0);
        rst           : IN  STD_LOGIC;
        data_done     : IN  STD_LOGIC;
        wren          : IN  STD_LOGIC;
        down_slow     : OUT STD_LOGIC;
        up_slow       : OUT STD_LOGIC;
        hold          : OUT STD_LOGIC
    );
end component;

```

```

component AhGen

```

```

    PORT (
        clk           : IN  STD_LOGIC;
        rst           : IN  STD_LOGIC;
        power         : IN  STD_LOGIC_VECTOR (15 DOWNT0 0);
        addr          : IN  STD_LOGIC_VECTOR ( 9 DOWNT0 0);
        wren          : IN  STD_LOGIC;
        addr_out      : OUT STD_LOGIC_VECTOR ( 9 DOWNT0 0);
        data_done     : OUT STD_LOGIC
    );

```

```

end component;

```

```

signal data_out    : std_logic_vector ( 15 downto 0);
signal write_addr  : std_logic_vector (  9 downto 0);
signal addr_out    : std_logic_vector (  9 downto 0);
signal FFTdone     : std_logic;
signal data_done   : std_logic;
signal data_inter  : std_logic_vector ( 15 downto 0);
signal noise       : std_logic;

```

```

BEGIN

```

```

    NC:QC15 port map(data_in, data_inter);

```

```

    FFT_block: FFT_top port map ( clock, reset, start, data_inter, data_out, read_addr,
write_addr, wren, FFTdone);

    Ah_gen1:    Ahgen port map(clock, reset, data_out, write_addr, wren, addr_out,
data_done);

    Ah_gen2: AhCompare port map(clock, addr_out, reset, data_done, wren, down_slow,
up_slow, hold);
END connection;

```

Ah\_Generation\_top\_tb.vhd

```

library ieee;
use ieee.std_logic_1164.all;
use ieee.numeric_std.all;
use std.textio.all;
entity Ah_Generation_top_tb is
end Ah_Generation_top_tb;

architecture tb of Ah_Generation_top_tb is
    function sl2int (x: std_logic) return integer is
        begin
            if x='1' then
                return 1 ;
            else
                return 0;
            end if;
        end;

    constant clk_time_step : time := 1 ns;

    signal clk          : std_logic;
    signal reset        : std_logic;
    signal wren         : std_logic;

```

```

signal read_addr: std_logic_vector ( 9 downto 0 );
signal write_addr    : std_logic_vector ( 8 downto 0 );
signal sink_real     : std_logic_vector (16 - 1 downto 0);
signal sink_imag     : std_logic_vector (16 - 1 downto 0);
signal source_real   : std_logic_vector (16 - 1 downto 0);
signal source_imag   : std_logic_vector (16 - 1 downto 0);

constant NUM_FRAMES_c : natural := 40;
-- for testing purposes, the input file contains 2 frames of data of sizes
type      fftpts_list_t is array (NUM_FRAMES_c - 1 downto 0) of natural;
signal fftpts_array : fftpts_list_t := (1024, 1024, 1024, 1024, 1024, 1024, 1024, 1024, 1024,
1024, 1024, 1024, 1024, 1024, 1024, 1024, 1024, 1024, 1024, 1024, 1024, 1024, 1024, 1024,
1024, 1024, 1024, 1024, 1024, 1024, 1024, 1024, 1024, 1024, 1024, 1024, 1024, 1024,
1024);
--signal fftpts_array : fftpts_list_t := (1024, 1024);
signal start          : std_logic;
-- number of input frames
signal frames_in_index : natural range 0 to NUM_FRAMES_c := 0;
-- number of output frames
signal frames_out_index : natural range 0 to NUM_FRAMES_c := 0;

signal cnt           : natural range 0 to 1024;
signal end_test     : std_logic;
-- signal the end of the input data stream and output data stream.
signal end_input    : std_logic;
signal end_output   : std_logic;
signal up_fast      : std_logic;
signal up_slow      : std_logic;
signal hold         : std_logic;
signal pah         : std_logic;

-----
-- FFT_top Component Declaration
-----

```

component VR

port (

```
clock      : in  std_logic;
reset      : in  std_logic;
start      : in  std_logic;
data_in    : in  std_logic_vector ( 15 downto 0 );
read_addr  : out std_logic_vector (  9 downto 0 );
up_fast    : out std_logic;
up_slow    : out std_logic;
hold       : out std_logic;
wren       : buffer std_logic;
pah        : out std_logic
```

);

end component;

begin

-----  
-- Reset Generation  
-----

```
reset  <= '1',
        '0' after 92*clk_time_step;
```

-----  
-- Clock Generation  
-----

clkgen : process

begin

if end\_test = '1' and end\_output = '1' then

clk <= '0';

wait;

else

clk <= '0';

wait for 5\*clk\_time\_step;

clk <= '1';

```

        wait for 5*clk_time_step;
    end if;
end process clkgen;

-- start valid for first cycle to indicate that the file reading should start.
start_p : process (clk, reset)
begin
    if reset = '1' then
        start <= '1';
--     elsif rising_edge(clk) then
--         if sink_valid = '1' and sink_ready = '1' then
--             start <= '0';
--         end if;
    end if;
end process start_p;

-- count the input frames and increment the index
increment_index_p : process (clk, reset)
begin
    if reset = '1' then
        frames_in_index <= 0;
    elsif rising_edge(clk) then
        if read_addr = "1111111111" then
            if frames_in_index < NUM_FRAMES_c - 1 then
                frames_in_index <= frames_in_index + 1;
            end if;
        end if;
    end if;
end process increment_index_p;

```



```

-- count the output frames and increment the index
increment_out_index_p : process (clk, reset)
begin
    if reset = '1' then
        frames_out_index <= 0;
    elsif rising_edge(clk) then
        if wren = '0' then
            if frames_out_index < NUM_FRAMES_c - 1 then
                frames_out_index <= frames_out_index + 1;
            end if;
        end if;
    end if;
end process increment_out_index_p;

-- signal when all of the input data has been sent to the DUT
end_input <= '1' when ((frames_in_index = NUM_FRAMES_c - 1)) else
    '0';

-- signal when all of the output data has be received from the DUT
end_output <= '1' when (frames_out_index = NUM_FRAMES_c - 1) else
    '0';

-- halt the input when done
end_test_p : process (clk, reset)
begin
    if reset = '1' then
        end_test <= '0';
    elsif rising_edge(clk) then
        if end_input = '1' then
            end_test <= '1';
        end if;
    end if;
end process end_test_p;

```

```

-----
-- Read input data from files
-----

testbench_i : process(clk) is
    file r_file      : text open read_mode is "real_input.txt";
    variable data_r  : integer;
    variable rdata   : line;
    file i_file      : text open read_mode is "FFT_imag_input.txt";
    variable idata   : line;
    variable data_i  : integer;
begin
    if(reset = '1') then
        sink_real  <= std_logic_vector(to_signed(0, 16));
        sink_imag  <= std_logic_vector(to_signed(0, 16));
--        sink_valid <= '0';
    elsif rising_edge(clk) then

        -- send in NUM_FRAMES_c of data or until the end of the file
        if not endfile(r_file) and (end_input = '0' and end_test = '0') then
            if (start = '1') then
                readline(r_file, rdata);
                read(rdata, data_r);
                readline(i_file, idata);
                read(idata, data_i);
--                sink_valid <= '1';
                sink_real  <= std_logic_vector(to_signed(data_r, 16));
                sink_imag  <= std_logic_vector(to_signed(data_i, 16));
            else
--                sink_valid <= '1';
                sink_real  <= sink_real;
                sink_imag  <= sink_imag;
            end if;

```

```

        else
--          sink_valid <= '0';
          sink_real <= std_logic_vector(to_signed(0, 16));
          sink_imag <= std_logic_vector(to_signed(0, 16));
        end if;
    end if;

end process testbench_i;

-----

-- Write Real and Imaginary Components and Block Exponent to Files
-----

testbench_o : process(clk, reset) is
    file ro_file    : text open write_mode is "ah_fast_output_vhd.txt";
    variable rdata : line;
    variable data_r : integer;
    file io_file    : text open write_mode is "ah_slow_output_vhd.txt";
    variable idata : line;
    variable data_i : integer;
    file so_file    : text open write_mode is "ah_hold_output_vhd.txt";
    variable sdata : line;
    variable data_s : integer;
begin
    if rising_edge(clk) and reset = '0' then
        if(wren = '1') then
            data_r := sl2int(up_fast);
            data_i := sl2int(up_slow);
            data_s := sl2int(hold);
            write(rdata, data_r);
            writeline(ro_file, rdata);
            write(idata, data_i);

```

```
writeline(io_file, idata);
write(idata, data_s);
writeline(io_file, sdata);
end if;
end if;
end process testbench_o;
```

```
-----
-- FFT Component Instantiation
-----
```

```
Ah_inst : VR
```

```
port map (
```

```
    clk,
    reset,
    start,
    sink_real,
    read_addr,
    up_fast,
    up_slow,
    hold,
    wren,
    pah
);
```

```
end tb;
```

```
QC15.vhd
```

```
LIBRARY ieee;
```

```
USE ieee.std_logic_1164.all;
```

```
USE ieee.std_logic_unsigned.all;
```

ENTITY QC15 IS

PORT (

data\_in : IN STD\_LOGIC\_VECTOR ( 15 DOWNT0 0);

data\_out : OUT STD\_LOGIC\_VECTOR ( 15 DOWNT0 0)

);

END QC15;

ARCHITECTURE logic OF QC15 IS

constant amplitude1\_threshold1 : std\_logic\_vector := "1000010000000000";

constant amplitude1\_threshold2 : std\_logic\_vector := "0111110000000000";

BEGIN

process (data\_in) begin

if data\_in > amplitude1\_threshold1 or data\_in < amplitude1\_threshold2 then

data\_out <= data\_in;

else

data\_out <= "1000000000000000";

end if;

end process;

END logic;

pah\_gen.vhd

library ieee;

use ieee.std\_logic\_1164.all;

use ieee.numeric\_std.all;

use ieee.std\_logic\_unsigned.all;

use ieee.std\_logic\_arith.all;

entity pah\_gen is

port(

clk : in std\_logic;--this clock should be the clock of sampling data.

reset : in std\_logic;

```

        data_in    : in std_logic_vector(15 downto 0);
        pah       : out    std_logic
    );
end entity;

```

architecture rtl of pah\_gen is

```

    type state_type is (s0, s1, s2, s3, s4);
    signal state      : state_type;
    signal counter    : std_logic_vector(9 downto 0);
    signal counter0   : std_logic_vector(9 downto 0);
    signal counter1   : std_logic_vector(9 downto 0);
    constant amplitude1_threshold1 : std_logic_vector := "1000010101110101";
    constant amplitude1_threshold2 : std_logic_vector := "0111101010000101";

    constant amplitude2_threshold1 : std_logic_vector := "1100001101010000";
    constant amplitude2_threshold2 : std_logic_vector := "0100111000100000";

    constant counter1_threshold : std_logic_vector := "0000010100";

--counter is the number of signals in a certain state, and the maximum value is 1024.
--counter0 is the number of '0' signals in a certain state.
--counter1 is the number of '1' signals in a certain state.
--The above three values will be reseted when state transision happens.
--amplitude1 is the noise treshold.
--amplitude2 is the peak treshold.
--counter1 threshold : When the amount of peaks in 1024 sampling datas is larger than this
value, we think there is a "pah".

begin
    process (clk, reset)
    begin
        if reset = '1' then
            state <= s0;

```

```

        counter <= "0000000000";
        counter0 <= "0000000000";
        counter1 <= "0000000000";
        pah <= '0';
    elsif (rising_edge(clk)) then
        case state is
        -----
            when s0=>
        -----
--            amplitude1 threshold is here
                if data_in <= amplitude1_threshold1 or data_in >=
amplitude1_threshold2 then
                    counter0 <= counter0 + '1';
                    counter <= counter + '1';
                else
                    counter <= counter + '1';
                end if;
                if counter0 = "1111111111" and counter = "1111111111" then
                    state <= s1;
                    counter <= "0000000000";
                    counter0 <= "0000000000";
                    counter1 <= "0000000000";
                else
                    state <= s0;
                end if;
                pah <= '0';
        -----
            when s1=>
        -----
--            amplitude2 threshold is here
                if data_in >= amplitude2_threshold1 or data_in <=
amplitude2_threshold2 then

```

```

        counter1 <= counter1 + '1';
        counter <= counter + '1';
    else
        counter0 <= counter0 + '1';
        counter <= counter + '1';
    end if;
--      counter1 threshold is here
        if counter1 >= counter1_threshold and counter = "1111111111" then
            state <= s2;
            counter <= "0000000000";
            counter0 <= "0000000000";
            counter1 <= "0000000000";
        else
            state <= s1;
        end if;
        pah <= '0';

-----
        when s2=>
-----
--      amplitude2 threshold is here
        if data_in >= amplitude2_threshold1 or data_in <=
amplitude2_threshold2 then
            counter1 <= counter1 + '1';
            counter <= counter + '1';
        else
            counter0 <= counter0 + '1';
            counter <= counter + '1';
        end if;
--      counter1 threshold is here
        if counter1 >= counter1_threshold and counter = "1111111111" then
            state <= s3;
            counter <= "0000000000";

```



```

        counter0 <= "0000000000";
        counter1 <= "0000000000";
    elsif counter0 >= "1111110000" and counter = "1111111111" then
        state <= s3;
        counter <= "0000000000";
        counter0 <= "0000000000";
        counter1 <= "0000000000";
    else
        state <= s2;
    end if;
    pah <= '0';

```

```

-----
when s3=>
-----

```

```

--          amplitude2 threshold is here
            if data_in >= amplitude2_threshold1 or data_in <=
amplitude2_threshold2 then
                counter1 <= counter1 + '1';
                counter <= counter + '1';
            else
                counter0 <= counter0 + '1';
                counter <= counter + '1';
            end if;
--          counter1 threshold is here
            if counter1 >= counter1_threshold and counter = "1111111111" then
                state <= s0;
                counter <= "0000000000";
                counter0 <= "0000000000";
                counter1 <= "0000000000";
            elsif counter0 >= "1111110000" and counter = "1111111111" then
                state <= s4;
                counter <= "0000000000";

```

```

        counter0 <= "0000000000";
        counter1 <= "0000000000";
    else
        state <= s3;
    end if;
    pah <= '0';

-----
        when s4 =>
-----
--        amplitude1 threshold is here
        if data_in <= amplitude1_threshold1 or data_in >=
amplitude1_threshold2 then
            counter0 <= counter0 + '1';
            counter <= counter + '1';
        else
            counter <= counter + '1';
        end if;
        if counter0 = "1111111111" and counter = "1111111111" then
            state <= s1;
            counter <= "0000000000";
            counter0 <= "0000000000";
            counter1 <= "0000000000";
        else
            state <= s4;
        end if;
        pah <= '1';
    end case;

end if;

end process;
end rtl;

```

VR.vhd

```
LIBRARY ieee;
```

```
USE ieee.std_logic_1164.all;
```

```
USE ieee.std_logic_unsigned.all;
```

```
entity VR is
```

```
port (
```

```
    clk_sample : in std_logic;
```

```
    clk_fft    : in std_logic;
```

```
    reset     : in std_logic;
```

```
    wren      : in std_logic;
```

```
    data_in   : in std_logic_vector ( 15 downto 0 );
```

```
    address_in : in std_logic_vector ( 10 downto 0 );
```

```
    down_slow : out std_logic;
```

```
    up_slow   : out std_logic;
```

```
    hold      : out std_logic;
```

```
    ah_valid  : buffer std_logic;
```

```
    pah      : out std_logic
```

```
);
```

```
end VR;
```

```
ARCHITECTURE connection OF VR IS
```

```
component AudioRAM
```

```
PORT
```

```
(
```

```
    data      : IN STD_LOGIC_VECTOR (15 DOWNTO 0);
```

```
    rdaddress : IN STD_LOGIC_VECTOR (10 DOWNTO 0);
```

```
    rdclock   : IN STD_LOGIC ;
```

```
    wraddress : IN STD_LOGIC_VECTOR (10 DOWNTO 0);
```

```
    wrclock   : IN STD_LOGIC := '1';
```

```
    wren      : IN STD_LOGIC := '0';
```

```

        q      : OUT STD_LOGIC_VECTOR (15 DOWNTO 0)
    );
END component;

```

```

component Ah_Generation_top

```

```

    PORT (

```

```

        clock      : in  std_logic;
        reset      : in  std_logic;
        start      : in  std_logic;
        data_in    : in  std_logic_vector ( 15 downto 0 );
        read_addr  : out std_logic_vector (  9 downto 0 );
        down_slow  : out std_logic;
        up_slow    : out std_logic;
        hold       : out std_logic;
        wren       : buffer std_logic

```

```

    );

```

```

end component;

```

```

component pah_gen

```

```

    port(

```

```

        clk      : in std_logic;--this clock should be the clock of sampling data.
        reset   : in std_logic;
        data_in  : in std_logic_vector(15 downto 0);
        pah     : out  std_logic

```

```

    );

```

```

end component;

```

```

component VR_control

```

```

    port(

```

```

        clk      : in  std_logic;--this clock should be the clock of sampling
data.

```

```

        reset      : in  std_logic;
        address_in  : in  std_logic_vector(10 downto 0);

```

```

        address_sel_bit    : out std_logic;
        start              : out std_logic
    );
end component;

```

component holdvalue

```

    port(
        clk                : in  std_logic;--this clock should be the clock of sampling
data.
        reset              : in  std_logic;
        bit_in             : in  std_logic;
        bit_out            : out std_logic
    );
end component;

```

```

signal data_inter : std_LOGIC_VECTOR(15 downto 0);

```

```

signal start : std_logic;

```

```

signal address_sel_bit : std_logic;

```

```

signal ram_read_addr : std_logic_vector(10 downto 0);

```

```

signal read_addr : std_logic_vector(9 downto 0);

```

```

signal up_slow_inter: std_logic;

```

```

signal down_slow_inter: std_logic;

```

```

signal pah_inter: std_logic;

```

```

begin

```

```

    ram_read_addr <= address_sel_bit & read_addr;

```

```

    RAM:AudioRAM port map( data_in, ram_read_addr, clk_fft, address_in, clk_sample,
wren, data_inter);

```

```

    Control:VR_control port map(clk_sample, reset, address_in, address_sel_bit, start);

```

```

-- Ah:Ah_Generation_top port map(clk_fft, reset, start, data_inter, read_addr, down_slow,
up_slow, hold, ah_valid);

```

```

-- Pah_Pah_Pah:pah_gen port map(clk_sample, reset, data_in, pah);

```

```

    Ah:Ah_Generation_top port map(clk_fft, reset, start, data_inter, read_addr,
down_slow_inter, up_slow_inter, hold, ah_valid);
    Pah_Pah_Pah:pah_gen port map(clk_sample, reset, data_in, pah);
--
-- hold_pah:holdvalue port map(clk_fft,reset,pah_inter,pah);
hold_fast:holdvalue port map(clk_fft,reset,down_slow_inter,down_slow);
hold_slow:holdvalue port map(clk_fft,reset,up_slow_inter,up_slow);

end connection;

```

VR\_control.vhd

```
library ieee;
```

```
use ieee.std_logic_1164.all;
```

```
use ieee.numeric_std.all;
```

```
use ieee.std_logic_unsigned.all;
```

```
use ieee.std_logic_arith.all;
```

```
entity VR_control is
```

```
    port(
```

```
        clk                : in std_logic;--this clock should be the clock of sampling
```

```
data.
```

```
        reset              : in std_logic;
```

```
        address_in         : in std_logic_vector(10 downto 0);
```

```
        address_sel_bit    : out std_logic;
```

```
        start              : out std_logic
```

```
    );
```

```
end entity;
```

```
architecture rtl of VR_control is
```

```

type state_type is (s0, s1, s2, s3, s1_1, s3_1);

signal state    : state_type;
signal counter : std_logic_vector(7 downto 0);
begin
    -- Logic to advance to the next state
    process (clk, reset)
    begin
        if reset = '1' then
            state <= s0;
            counter <= "00000000";
        elsif (rising_edge(clk)) then
            case state is
                when s0=>
                    if address_in = "1000000000" then
                        state <= s1;
                        counter <= "00000000";
                    else
                        state <= s0;
                    end if;
                when s1=>
                    -- if counter = "00000000" then
                    state <= s1_1;
                    -- counter <= "00000000";
                    -- else
                    -- state <= s1;
                    -- counter <= counter + '1';
                    -- end if;
                when s1_1=>
                    if counter = "11111111" then
                        state <= s2;
                        counter <= "00000000";
                    else

```

```

        state <= s1_1;
        counter <= counter + '1';
    end if;
when s2=>
    if address_in = "0000000000" then
        state <= s3;
        counter <= "00000000";
    else
        state <= s2;
    end if;
when s3 =>
--        if counter = "11100000" then
--            state <= s3_1;
--            counter <= "00000000";
--        else
--            state <= s3;
--            counter <= counter + '1';
--        end if;
    when s3_1 =>
        if counter = "11111111" then
            state <= s0;
            counter <= "00000000";
        else
            state <= s3_1;
            counter <= counter + '1';
        end if;
    end case;
end if;
end process;

-- Output depends solely on the current state
process (state)
begin

```



```
case state is
  when s0 =>
    address_sel_bit <= '0';
    start <= '0';
  when s1 =>
    address_sel_bit <= '0';
    start <= '1';
  when s1_1 =>
    address_sel_bit <= '0';
    start <= '0';
  when s2 =>
    address_sel_bit <= '1';
    start <= '0';
  when s3 =>
    address_sel_bit <= '1';
    start <= '1';
  when s3_1 =>
    address_sel_bit <= '1';
    start <= '0';
end case;
end process;
```

```
end rtl;
```

```
hold.vhd
```

```
library ieee;
use ieee.std_logic_1164.all;
use ieee.numeric_std.all;
use ieee.std_logic_unsigned.all;
use ieee.std_logic_arith.all;
```

entity holdvalue is

```
    port(
        clk                : in  std_logic;--this clock should be the clock of sampling
data.
        reset              : in  std_logic;
        bit_in             : in  std_logic;
        bit_out            : out std_logic
    );
end entity;
```

architecture rtl of holdvalue is

```
    signal counter: std_logic_vector(24 downto 0);
    type state_type is (s0, s1);
    signal state   : state_type;
    begin
    process (clk, reset)
    begin
        if reset = '1' then
            state <= s0;
            counter <= (others =>'0');
        elsif (rising_edge(clk)) then
            case state is
                when s0=>
                    if bit_in = '1' then
                        state <= s1;
                        counter <= (others =>'0');
                    else
                        state <= s0;
                        counter <= (others =>'0');
                    end if;
                when s1=>
                    -- if counter = ("0100110001001011010000000") then
```

```

        if counter = ("011111111111111111111111") then
            state <= s0;
        else
            state <= s1;
            if bit_in = '1' then
                counter <= (others =>'0');
            else
                counter <= counter + '1';
            end if;
        end if;
    end case;
end if;
end process;

```

```

process (state)
begin
    case state is
        when s0 =>
            bit_out <= '0';
        when s1 =>
            bit_out <= '1';
    end case;
end process;
end rtl;

```

de2\_i2c\_controller.v

```

// -----
// Copyright (c) 2005 by Terasic Technologies Inc.
// -----
//
// Permission:
//

```

```
// Terasic grants permission to use and modify this code for use
// in synthesis for all Terasic Development Boards and Altea Development
// Kits made by Terasic. Other use of this code, including the selling,
// duplication, or modification of any portion is strictly prohibited.
//
// Disclaimer:
//
// This VHDL or Verilog source code is intended as a design reference
// which illustrates how these types of functions can be implemented.
// It is the user's responsibility to verify their design for
// consistency and functionality through the use of formal
// verification methods. Terasic provides no warranty regarding the use
// or functionality of this code.
//
// -----
//
// Terasic Technologies Inc
// 356 Fu-Shin E. Rd Sec. 1. JhuBei City,
// HsinChu County, Taiwan
// 302
//
// web: http://www.terasic.com/
// email: support@terasic.com
//
// -----
//
// Major Functions:i2c controller
//
// -----
//
// Revision History :
// -----
// Ver :| Author :| Mod. Date :| Changes Made:
```

```
// V1.0 :| Joe Yang          :| 05/07/10  :|      Initial Revision
```

```
// -----
```

```
module de2_i2c_controller (  
    CLOCK,  
    I2C_SCLK, // I2C CLOCK  
    I2C_SDAT, // I2C DATA  
    I2C_DATA, // DATA:[SLAVE_ADDR,SUB_ADDR,DATA]  
    GO,        // GO transfor  
    END,       // END transfor  
    W_R,       // W_R  
    ACK,       // ACK  
    RESET,  
    // TEST  
    SD_COUNTER,  
    SDO  
);
```

```
input  CLOCK;  
input  [23:0] I2C_DATA;  
input  GO;  
input  RESET;  
input  W_R;  
inout  I2C_SDAT;  
output I2C_SCLK;  
output END;  
output ACK;  
  
// TEST  
output [5:0] SD_COUNTER;  
output SDO;  
  
reg SDO;  
reg SCLK;
```

```

reg END;
reg [23:0] SD;
reg [5:0] SD_COUNTER;

wire I2C_SCLK = SCLK | (((SD_COUNTER >= 4) & (SD_COUNTER <= 30)) ? ~CLOCK :
0);
wire I2C_SDAT = SDO ? 1'bz : 0;

reg ACK1, ACK2, ACK3;
wire ACK = ACK1 | ACK2 | ACK3;

/--I2C COUNTER

always @(negedge RESET or posedge CLOCK)
begin
    if (!RESET)
        SD_COUNTER = 6'b111111;
    else
        begin
            if (GO == 0)
                SD_COUNTER = 0;
            else
                if (SD_COUNTER < 6'b111111)
                    SD_COUNTER = SD_COUNTER + 1;
        end
end

always @(negedge RESET or posedge CLOCK )
begin
    if (!RESET)
        begin
            SCLK = 1;
            SDO = 1;

```

```

        ACK1 = 0;
        ACK2 = 0;
        ACK3 = 0;
        END = 1;
    end
else
    case (SD_COUNTER)
        6'd0 : begin ACK1 = 0; ACK2 = 0; ACK3 = 0; END = 0; SDO = 1; SCLK = 1; end

        // Start
        6'd1 : begin SD = I2C_DATA; SDO = 0; end
        6'd2 : SCLK = 0;

        // Slave Address
        6'd3 : SDO = SD[23];
        6'd4 : SDO = SD[22];
        6'd5 : SDO = SD[21];
        6'd6 : SDO = SD[20];
        6'd7 : SDO = SD[19];
        6'd8 : SDO = SD[18];
        6'd9 : SDO = SD[17];
        6'd10 : SDO = SD[16];
        6'd11 : SDO = 1'b1; //ACK

        // Sub-address
        6'd12 : begin SDO = SD[15]; ACK1 = I2C_SDAT; end
        6'd13 : SDO = SD[14];
        6'd14 : SDO = SD[13];
        6'd15 : SDO = SD[12];
        6'd16 : SDO = SD[11];
        6'd17 : SDO = SD[10];
        6'd18 : SDO = SD[9];
        6'd19 : SDO = SD[8];
    endcase
end

```

```

6'd20 : SDO = 1'b1; // ACK

// Data
6'd21 : begin SDO = SD[7]; ACK2 = I2C_SDAT; end
6'd22 : SDO = SD[6];
6'd23 : SDO = SD[5];
6'd24 : SDO = SD[4];
6'd25 : SDO = SD[3];
6'd26 : SDO = SD[2];
6'd27 : SDO = SD[1];
6'd28 : SDO = SD[0];
6'd29 : SDO = 1'b1; // ACK

// Stop
6'd30 : begin SDO = 1'b0; SCLK = 1'b0; ACK3 = I2C_SDAT; end
6'd31 : SCLK = 1'b1;
6'd32 : begin SDO = 1'b1; END = 1; end
endcase
end

endmodule

de2_wm8731_audio.vhd

library ieee;
use ieee.std_logic_1164.all;
use ieee.numeric_std.all;
USE ieee.std_logic_unsigned.all;

entity de2_wm8731_audio is
port (
    clk : in std_logic;          -- Audio CODEC Chip Clock AUD_XCK (18.43 MHz)
    reset_n : in std_logic;

```



```

test_mode : in std_logic;      -- Audio CODEC controller test mode
audio_request : out std_logic; -- Audio controller request new data
data : in unsigned(15 downto 0);
data_out : out std_logic_vector (15 downto 0);
enable : out std_logic;
addr : buffer std_logic_vector(10 downto 0);
-- Audio interface signals
AUD_ADCLRCK : out std_logic; -- Audio CODEC ADC LR Clock
AUD_ADCDATA : in std_logic; -- Audio CODEC ADC Data
AUD_DACLARK : out std_logic; -- Audio CODEC DAC LR Clock
AUD_DACDATA : out std_logic; -- Audio CODEC DAC Data
AUD_BCLK : inout std_logic -- Audio CODEC Bit-Stream Clock
);
end de2_wm8731_audio;

```

architecture rtl of de2\_wm8731\_audio is

```

signal lrck : std_logic;
signal bclk : std_logic;
signal xck : std_logic;

signal lrck_divider : unsigned(11 downto 0);
signal bclk_divider : unsigned(7 downto 0);

signal set_bclk : std_logic;
signal set_lrck : std_logic;
signal clr_bclk : std_logic;
signal lrck_lat : std_logic;

signal shift_out : unsigned(15 downto 0);

signal sin_out : unsigned(15 downto 0);
signal sin_counter : unsigned(5 downto 0);

```

```

        signal data_adc : std_logic_vector(15 downto 0);
        signal addr_temp : std_logic_vector(10 downto 0);
begin

    -- LRCK divider
    -- Audio chip main clock is 18.432MHz / Sample rate 48KHz
    -- Divider is 18.432 MHz / 48KHz = 192 (X"C0")
    -- Left justify mode set by I2C controller

process (clk)
begin
    if rising_edge(clk) then
        if reset_n = '0' then
            lrck_divider <= (others => '0');
            elsif lrck_divider = X"30C" then -- "C0" minus 1
                lrck_divider <= X"000";
            else
                lrck_divider <= lrck_divider + 1;
            end if;
        end if;
    end process;

process (clk)
begin
    if rising_edge(clk) then
        if reset_n = '0' then
            bclk_divider <= (others => '0');
            elsif bclk_divider = X"2F" or set_lrck = '1' then
                bclk_divider <= X"00";
                set_bclk <= '1';

            else

```

```
        bclk_divider <= bclk_divider + 1;
        set_bclk <= '0';
    end if;
end if;
end process;
```

```
set_lrck <= '1' when lrck_divider = X"30C" else '0';
```

```
process (clk)
begin
    if rising_edge(clk) then
        if reset_n = '0' then
            lrck <= '0';
        elsif set_lrck = '1' then
            lrck <= not lrck;
        end if;
    end if;
end process;
```

```
-- BCLK divider
```

```
clr_bclk <= '1' when bclk_divider(7 downto 0) = X"17" else '0';
```

```
process (clk)
begin
    if rising_edge(clk) then
        if reset_n = '0' then
            bclk <= '0';
        elsif set_lrck = '1' or clr_bclk = '1' then
            bclk <= '0';
        end if;

        elsif set_bclk = '1' then
            bclk <= '1';
        end if;
    end if;
end process;
```

```

        data_adc(15 downto 0) <= data_adc(14 downto 0) & AUD_ADCCDAT;
    end if;
end if;
end process;

```

```

process(clk)

```

```

begin

```

```

    if (lrck = '0' and set_lrck = '1') then

```

```

    -----

```

```

        data_out <= (not data_adc(15)) & data_adc(14 downto 0);

```

```

        --data_out <= data_adc;

```

```

    -----

```

```

        enable <= '1';

```

```

        addr <= addr + '1';

```

```

    elsif (lrck = '1' and set_lrck = '1') then

```

```

        enable <= '0';

```

```

        addr <= addr;

```

```

    end if;

```

```

end process;

```

```

-- Audio data shift output

```

```

process (clk)

```

```

begin

```

```

    if rising_edge(clk) then

```

```

        if reset_n = '0' then

```

```

            shift_out <= (others => '0');

```

```

        elsif set_lrck = '1' then

```

```

            if test_mode = '1' then

```

```

                shift_out <= sin_out;

```

```

            else

```

```

                shift_out <= data;

```

```

        end if;
    elsif clr_bclk = '1' then
        shift_out <= shift_out (14 downto 0) & '0';

    end if;
end if;
end process;

-- Audio outputs

AUD_ADCLRCK <= lrck;
AUD_DACLCK <= lrck;
AUD_DACDAT <= shift_out(15);
AUD_BCLK <= bclk;
-- addr <= addr_temp;
-- Self test with Sin wave

process(clk)
begin
    if rising_edge(clk) then
        if reset_n = '0' then
            sin_counter <= (others => '0');
        elsif lrck_lat = '1' and lrck = '0' then
            if sin_counter = "101111" then
                sin_counter <= "000000";
            else
                sin_counter <= sin_counter + 1;
            end if;
        end if;
    end if;
end if;
end process;

```

```
process(clk)
begin
    if rising_edge(clk) then
        lrck_lat <= lrck;
    end if;
end process;
```

```
process (clk)
begin
    if rising_edge(clk) then
        if lrck_lat = '1' and lrck = '0' then
            audio_request <= '1';
        else
            audio_request <= '0';
        end if;
    end if;
end process;
```

```
with sin_counter select sin_out <=
    X"0000" when "000000",
    X"10b4" when "000001",
    X"2120" when "000010",
    X"30fb" when "000011",
    X"3fff" when "000100",
    X"4deb" when "000101",
    X"5a81" when "000110",
    X"658b" when "000111",
    X"6ed9" when "001000",
    X"7640" when "001001",
    X"7ba2" when "001010",
    X"7ee6" when "001011",
    X"7fff" when "001100",
    X"7ee6" when "001101",
```

X"7ba2" when "001110",  
X"7640" when "001111",  
X"6ed9" when "010000",  
X"658b" when "010001",  
X"5a81" when "010010",  
X"4deb" when "010011",  
X"3fff" when "010100",  
X"30fb" when "010101",  
X"2120" when "010110",  
X"10b4" when "010111",  
X"0000" when "011000",  
X"ef4b" when "011001",  
X"dee0" when "011010",  
X"cf05" when "011011",  
X"c001" when "011100",  
X"b215" when "011101",  
X"a57e" when "011110",  
X"9a74" when "011111",  
X"9127" when "100000",  
X"89bf" when "100001",  
X"845d" when "100010",  
X"8119" when "100011",  
X"8000" when "100100",  
X"8119" when "100101",  
X"845d" when "100110",  
X"89bf" when "100111",  
X"9127" when "101000",  
X"9a74" when "101001",  
X"a57e" when "101010",  
X"b215" when "101011",  
X"c000" when "101100",  
X"cf05" when "101101",  
X"dee0" when "101110",

```
X"ef4b" when "101111",
```

```
X"0000" when others;
```

```
end architecture;
```

```
de2_i2c_av_cofig.v
```

```
/*
```

```
 * I2C bus control for initializing the audio and video chips on the DE2 board
```

```
 *
```

```
 * Adapted by Stephen A. Edwards, Columbia University, sedwards@cs.columbia.edu
```

```
*/
```

```
module de2_i2c_av_cofig( iCLK, iRST_N, I2C_SCLK, I2C_SDAT );
```

```
// From host
```

```
input  iCLK;
```

```
input  iRST_N;
```

```
// I2C bus
```

```
output I2C_SCLK;
```

```
inout  I2C_SDAT;
```

```
// Internal Registers/Wires
```

```
reg    [15:0] mI2C_CLK_DIV;
```

```
reg    [23:0] mI2C_DATA;
```

```
reg          mI2C_CTRL_CLK;
```

```
reg          mI2C_GO;
```

```
wire        mI2C_END;
```

```
wire        mI2C_ACK;
```

```
reg    [15:0] LUT_DATA;
```



```

reg    [5:0]  LUT_INDEX;
reg    [3:0]  mSetup_ST;

// Clock frequencies
parameter CLK_Freq      = 50000000; // 50 MHz
parameter I2C_Freq      = 20000;    // 20 kHz

parameter LUT_SIZE      = 50;

// Audio Data Index
parameter SET_LIN_L     = 0;
parameter SET_LIN_R     = 1;
parameter SET_HEAD_L   = 2;
parameter SET_HEAD_R   = 3;
parameter A_PATH_CTRL  = 4;
parameter D_PATH_CTRL  = 5;
parameter POWER_ON     = 6;
parameter SET_FORMAT   = 7;
parameter SAMPLE_CTRL  = 8;
parameter SET_ACTIVE   = 9;
// Video Data Index
parameter SET_VIDEO    = 10;

// I2C Control Clock
always @(posedge iCLK or negedge iRST_N)
begin
    if (!iRST_N)
        begin
            mI2C_CTRL_CLK <= 0;
            mI2C_CLK_DIV  <= 0;
        end
    else
        begin

```

```

        if ( mI2C_CLK_DIV < (CLK_Freq/I2C_Freq) )
            mI2C_CLK_DIV <= mI2C_CLK_DIV+1;
        else
            begin
                mI2C_CLK_DIV <= 0;
                mI2C_CTRL_CLK <= ~mI2C_CTRL_CLK;
            end
        end
    end
end

de2_i2c_controller u0 (
    .CLOCK(mI2C_CTRL_CLK), // Controller Work Clock
    .I2C_SCLK(I2C_SCLK),   // I2C CLOCK
    .I2C_SDAT(I2C_SDAT),   // I2C DATA
    .I2C_DATA(mI2C_DATA),  // DATA:[SLAVE_ADDR,SUB_ADDR,DATA]
    .GO(mI2C_GO),          // GO transfor
    .END(mI2C_END),        // END transfor
    .ACK(mI2C_ACK),        // ACK
    .RESET(iRST_N)
);

// Configuration control
always @(posedge mI2C_CTRL_CLK or negedge iRST_N)
begin
    if(!iRST_N)
        begin
            LUT_INDEX <= 0;
            mSetup_ST <= 0;
            mI2C_GO <= 0;
        end
    else
        begin

```

```

if (LUT_INDEX<LUT_SIZE)
begin
  case(mSetup_ST)
  0: begin
      if(LUT_INDEX<SET_VIDEO)
          mI2C_DATA <= {8'h34,LUT_DATA};
      else
          mI2C_DATA <= {8'h40,LUT_DATA};
      mI2C_GO    <= 1;
      mSetup_ST <= 1;
      end
  1: begin
      if (mI2C_END)
          begin
              if (!mI2C_ACK)
                  mSetup_ST <= 2;
              else
                  mSetup_ST <= 0;
              mI2C_GO <= 0;
              end
          end
  2: begin
      LUT_INDEX <= LUT_INDEX+1;
      mSetup_ST <= 0;
      end
  endcase
end
end

// Configuration data LUT
always
begin

```

```
case (LUT_INDEX)
// Audio Config Data
SET_LIN_L    : LUT_DATA <= 16'h001A;
SET_LIN_R    : LUT_DATA <= 16'h021A;
SET_HEAD_L   : LUT_DATA <= 16'h047B;
SET_HEAD_R   : LUT_DATA <= 16'h067B;
//A_PATH_CTRL : LUT_DATA <= 16'h08FC;
A_PATH_CTRL  : LUT_DATA <= 16'h08F4;
//A_PATH_CTRL : LUT_DATA <= 16'h08F8;
D_PATH_CTRL  : LUT_DATA <= 16'h0A06;
POWER_ON     : LUT_DATA <= 16'h0C00;
SET_FORMAT   : LUT_DATA <= 16'h0E01;
//SAMPLE_CTRL : LUT_DATA <= 16'h1008;
SAMPLE_CTRL  : LUT_DATA <= 16'h100c;
SET_ACTIVE   : LUT_DATA <= 16'h1201;
// Video Config Data
SET_VIDEO+0  : LUT_DATA <= 16'h1500;
SET_VIDEO+1  : LUT_DATA <= 16'h1741;
SET_VIDEO+2  : LUT_DATA <= 16'h3a16;
SET_VIDEO+3  : LUT_DATA <= 16'h5004;
SET_VIDEO+4  : LUT_DATA <= 16'hc305;
SET_VIDEO+5  : LUT_DATA <= 16'hc480;
SET_VIDEO+6  : LUT_DATA <= 16'h0e80;
SET_VIDEO+7  : LUT_DATA <= 16'h5020;
SET_VIDEO+8  : LUT_DATA <= 16'h5218;
SET_VIDEO+9  : LUT_DATA <= 16'h58ed;
SET_VIDEO+10 : LUT_DATA <= 16'h77c5;
SET_VIDEO+11 : LUT_DATA <= 16'h7c93;
SET_VIDEO+12 : LUT_DATA <= 16'h7d00;
SET_VIDEO+13 : LUT_DATA <= 16'hd048;
SET_VIDEO+14 : LUT_DATA <= 16'hd5a0;
SET_VIDEO+15 : LUT_DATA <= 16'hd7ea;
SET_VIDEO+16 : LUT_DATA <= 16'he43e;
```

```
SET_VIDEO+17 : LUT_DATA <= 16'hea0f;
SET_VIDEO+18 : LUT_DATA <= 16'h3112;
SET_VIDEO+19 : LUT_DATA <= 16'h3281;
SET_VIDEO+20 : LUT_DATA <= 16'h3384;
SET_VIDEO+21 : LUT_DATA <= 16'h37A0;
SET_VIDEO+22 : LUT_DATA <= 16'he580;
SET_VIDEO+23 : LUT_DATA <= 16'he603;
SET_VIDEO+24 : LUT_DATA <= 16'he785;
SET_VIDEO+25 : LUT_DATA <= 16'h5000;
SET_VIDEO+26 : LUT_DATA <= 16'h5100;
SET_VIDEO+27 : LUT_DATA <= 16'h0050;
SET_VIDEO+28 : LUT_DATA <= 16'h1000;
SET_VIDEO+29 : LUT_DATA <= 16'h0402;
SET_VIDEO+30 : LUT_DATA <= 16'h0b00;
SET_VIDEO+31 : LUT_DATA <= 16'h0a20;
SET_VIDEO+32 : LUT_DATA <= 16'h1100;
SET_VIDEO+33 : LUT_DATA <= 16'h2b00;
SET_VIDEO+34 : LUT_DATA <= 16'h2c8c;
SET_VIDEO+35 : LUT_DATA <= 16'h2df2;
SET_VIDEO+36 : LUT_DATA <= 16'h2eee;
SET_VIDEO+37 : LUT_DATA <= 16'h2ff4;
SET_VIDEO+38 : LUT_DATA <= 16'h30d2;
SET_VIDEO+39 : LUT_DATA <= 16'h0e05;
default      : LUT_DATA <= 16'hxxxx;
endcase
end

endmodule

test_clk.vhd

library ieee;
use ieee.std_logic_1164.all;
```

```

use ieee.numeric_std.all;
USE ieee.std_logic_unsigned.all;

entity test_clk is
    port(
        clk:in std_logic;
        data_out:buffer std_logic_vector (10 downto 0)
    );
end entity;

```

```

architecture rtl of test_clk is
    signal temp : std_logic_vector (10 downto 0);

begin
    process(clk) begin
        if(rising_edge(clk)) then
            if temp = "1111111111" then
--                temp <= "000000000000";
            else
                temp <= temp + '1';
            end if;
        end if;
    end process;
    data_out<=temp;
end rtl;

```

NIOS

```
#include <io.h>
```

```
#include <system.h>
```

```
#include <stdio.h>
```

```
const unsigned char background_map[153600]=
```

{137, 130, 139, 4, 8, 139, 153, 8, 185, 137, 11, 0, 64, 137, 139, 169, 144, 154, 137, 75,  
0, 139, 75, 176, 152, 8, 176, 176, 11, 180, 75, 176, 8, 152, 136, 0, 8, 144, 8, 128,  
4, 144, 11, 184, 139, 0, 0, 128, 0, 0, 144, 11, 11, 0, 128, 136, 172, 32, 0, 9,  
0, 128, 128, 8, 8, 11, 0, 200, 0, 128, 132, 8, 136, 4, 184, 9, 128, 8, 8, 0,  
130, 152, 0, 0, 188, 137, 64, 136, 4, 152, 176, 64, 75, 128, 144, 184, 162, 139, 128,  
136,  
139, 153, 144, 176, 137, 137, 144, 132, 187, 4, 185, 139, 137, 178, 139, 75, 0, 128,  
144, 187,  
64, 184, 176, 128, 184, 64, 136, 176, 176, 0, 136, 187, 187, 187, 144, 139, 155, 153,  
144, 139,  
4, 144, 187, 128, 176, 136, 184, 184, 184, 153, 132, 41, 185, 148, 180, 4, 0, 132,  
153, 4,  
185, 152, 11, 132, 72, 11, 64, 68, 148, 66, 170, 207, 253, 255, 207, 204, 44, 207,  
222, 119,  
238, 252, 202, 153, 132, 139, 155, 0, 185, 64, 137, 75, 0, 155, 148, 11, 73, 166, 41,  
128,  
9, 136, 40, 8, 139, 66, 72, 0, 137, 64, 148, 128, 184, 185, 153, 8, 173, 104, 148, 75,  
153, 73, 8, 132, 11, 43, 0, 66, 187, 8, 72, 2, 75, 148, 146, 75, 136, 184, 68, 155,  
153, 68, 180, 187, 153, 187, 64, 75, 152, 11, 152, 153, 180, 152, 185, 155, 152, 68,  
155, 4,  
68, 180, 153, 128, 128, 8, 153, 144, 40, 2, 153, 155, 152, 210, 0, 176, 152, 152, 4,  
180,  
187, 8, 75, 133, 43, 68, 72, 185, 136, 0, 139, 185, 148, 153, 203, 136, 66, 185, 144,  
128,  
133, 180, 184, 148, 146, 153, 185, 187, 176, 136, 176, 68, 187, 9, 153, 154, 137,  
155, 2, 9,  
0, 128, 0, 132, 8, 0, 176, 137, 11, 64, 0, 132, 8, 153, 73, 153, 148, 152, 146, 66,  
176, 4, 64, 136, 136, 0, 9, 144, 0, 148, 11, 0, 0, 0, 8, 136, 4, 152, 8, 8,  
128, 137, 0, 8, 187, 11, 176, 0, 132, 128, 72, 8, 128, 136, 128, 0, 136, 136, 0, 0,  
75, 176, 0, 11, 4, 128, 8, 136, 176, 0, 64, 9, 144, 187, 139, 152, 152, 0, 0, 128,  
8, 136, 168, 128, 161, 132, 64, 128, 128, 152, 8, 9, 11, 139, 136, 136, 144, 176, 9,  
11,  
128, 187, 11, 153, 128, 136, 128, 128, 64, 11, 64, 176, 178, 11, 8, 8, 11, 11, 0, 68,

0, 64, 0, 11, 153, 136, 9, 176, 128, 68, 2, 136, 0, 187, 42, 138, 136, 148, 0, 8,  
187, 73, 9, 152, 64, 184, 9, 4, 72, 164, 9, 154, 139, 68, 64, 187, 136, 176, 155, 187,  
136, 137, 144, 155, 9, 176, 73, 4, 66, 170, 204, 205, 238, 237, 223, 220, 172, 255,  
231, 126,  
237, 252, 202, 152, 153, 9, 139, 185, 75, 153, 139, 128, 4, 137, 139, 176, 72, 254,  
73, 176,  
185, 153, 73, 180, 185, 68, 8, 11, 67, 16, 9, 187, 184, 144, 8, 187, 8, 146, 72, 4,  
178, 148, 153, 155, 68, 137, 184, 132, 153, 0, 9, 180, 43, 75, 178, 9, 153, 0, 154,  
152,  
152, 73, 153, 137, 155, 4, 178, 11, 0, 187, 136, 176, 155, 185, 136, 155, 9, 185, 187,  
75,  
68, 155, 128, 128, 187, 184, 137, 148, 4, 11, 8, 137, 153, 38, 153, 139, 8, 137, 155,  
184,  
144, 187, 136, 137, 187, 64, 75, 11, 180, 187, 180, 176, 136, 153, 144, 139, 155,  
137, 154, 201,  
75, 9, 176, 0, 136, 137, 8, 160, 184, 0, 139, 137, 185, 185, 130, 152, 152, 152, 64,  
155,  
8, 8, 184, 128, 136, 0, 136, 132, 4, 176, 128, 4, 136, 152, 137, 146, 152, 138, 146,  
84,  
43, 8, 187, 0, 184, 2, 176, 64, 0, 176, 176, 11, 176, 139, 136, 176, 128, 0, 152, 0,  
184, 176, 0, 9, 176, 0, 128, 0, 11, 11, 0, 136, 128, 0, 8, 2, 8, 148, 32, 8,  
128, 144, 187, 0, 132, 128, 136, 9, 128, 0, 8, 184, 11, 0, 0, 139, 184, 8, 136, 0,  
73, 136, 0, 144, 180, 176, 64, 0, 148, 64, 185, 155, 66, 136, 136, 187, 128, 128, 139,  
180,  
64, 184, 128, 176, 0, 8, 0, 155, 0, 187, 11, 176, 176, 0, 128, 136, 0, 0, 8, 11,  
4, 0, 0, 8, 11, 73, 8, 176, 4, 64, 8, 64, 8, 64, 128, 152, 137, 184, 9, 136,  
0, 152, 184, 184, 0, 180, 4, 0, 180, 36, 184, 139, 155, 68, 152, 144, 128, 11, 0, 9,  
180, 75, 68, 64, 72, 8, 154, 153, 187, 34, 170, 253, 231, 126, 239, 204, 204, 253,  
238, 126,  
237, 252, 170, 153, 152, 136, 185, 180, 0, 130, 4, 4, 139, 152, 187, 148, 185, 44, 66,  
68,  
34, 187, 146, 153, 185, 148, 11, 184, 75, 144, 46, 226, 72, 187, 144, 155, 68, 137,  
64, 153,



75, 4, 146, 128, 68, 139, 64, 148, 68, 180, 41, 176, 4, 11, 180, 75, 144, 68, 10, 187,  
75, 11, 64, 155, 139, 0, 144, 153, 184, 0, 155, 64, 73, 153, 139, 184, 187, 66, 68, 0,  
73, 8, 185, 152, 155, 187, 187, 11, 72, 64, 187, 185, 187, 40, 73, 144, 8, 9, 152, 185,  
8, 132, 153, 136, 187, 2, 68, 185, 187, 64, 187, 153, 185, 185, 156, 18, 43, 73, 137,  
42,  
25, 187, 73, 153, 169, 139, 0, 11, 68, 152, 9, 200, 184, 152, 185, 153, 153, 155, 153,  
144,  
153, 4, 184, 152, 128, 176, 187, 8, 0, 176, 128, 8, 137, 137, 68, 137, 153, 137, 193,  
21,  
4, 11, 132, 144, 11, 0, 176, 185, 8, 176, 11, 136, 66, 11, 128, 8, 0, 128, 0, 0,  
0, 128, 4, 11, 0, 8, 176, 2, 176, 176, 128, 185, 8, 136, 8, 139, 176, 11, 176, 8,  
152, 136, 128, 0, 0, 75, 11, 9, 136, 8, 128, 9, 9, 0, 128, 128, 144, 8, 176, 139,  
184, 136, 8, 64, 11, 128, 9, 148, 202, 8, 128, 68, 0, 128, 136, 184, 184, 137, 11, 152,  
75, 155, 8, 132, 176, 128, 128, 187, 0, 11, 176, 0, 4, 64, 187, 144, 8, 187, 187, 0,  
0, 0, 176, 180, 187, 0, 0, 178, 0, 0, 8, 68, 139, 144, 128, 152, 0, 187, 72, 128,  
8, 176, 153, 155, 155, 184, 75, 153, 132, 148, 155, 185, 155, 64, 155, 11, 128, 184,  
180, 139,  
148, 41, 185, 153, 73, 41, 165, 162, 170, 204, 61, 222, 119, 119, 237, 255, 207, 253,  
222, 238,  
221, 252, 170, 153, 152, 137, 44, 155, 139, 153, 68, 75, 187, 148, 75, 68, 73, 155,  
64, 176,  
146, 47, 236, 153, 139, 136, 0, 139, 9, 139, 186, 91, 132, 0, 137, 180, 187, 155, 187,  
0,  
154, 43, 187, 68, 64, 187, 180, 8, 0, 187, 176, 64, 139, 0, 180, 68, 144, 4, 0, 176,  
146, 9, 41, 8, 11, 187, 153, 153, 153, 180, 185, 180, 180, 152, 130, 155, 137, 66, 75,  
68,  
185, 152, 8, 90, 73, 139, 64, 72, 64, 148, 185, 184, 152, 152, 187, 128, 68, 153, 72,  
176,  
132, 180, 137, 176, 187, 154, 148, 185, 187, 64, 146, 144, 137, 198, 137, 153, 155,  
64, 64, 10,  
25, 187, 73, 40, 153, 153, 185, 139, 34, 180, 43, 139, 187, 155, 185, 4, 154, 153,  
132, 4,

11, 64, 136, 139, 64, 185, 187, 187, 68, 0, 187, 155, 9, 137, 75, 146, 153, 170, 103,  
54,  
36, 75, 176, 139, 176, 75, 187, 154, 9, 176, 8, 0, 0, 176, 11, 11, 11, 0, 0, 4,  
11, 139, 176, 176, 132, 139, 176, 0, 11, 8, 168, 187, 8, 184, 11, 128, 8, 136, 11, 184,  
139, 136, 128, 68, 187, 139, 9, 184, 187, 0, 0, 139, 8, 187, 139, 139, 187, 144, 8,  
136,  
180, 139, 8, 64, 0, 176, 11, 64, 73, 0, 75, 75, 185, 0, 136, 136, 144, 136, 0, 8,  
32, 139, 139, 137, 187, 139, 176, 132, 176, 132, 184, 187, 176, 185, 8, 139, 42, 73,  
12, 203,  
64, 0, 184, 8, 11, 0, 187, 0, 64, 11, 137, 36, 187, 184, 178, 184, 139, 75, 187, 152,  
136, 155, 137, 144, 185, 144, 11, 187, 11, 171, 128, 41, 180, 11, 128, 4, 176, 11,  
153, 137,  
132, 132, 75, 153, 75, 153, 153, 153, 34, 170, 172, 254, 119, 119, 239, 252, 204,  
253, 238, 237,  
223, 202, 170, 153, 155, 148, 153, 176, 66, 137, 169, 11, 11, 75, 75, 139, 4, 148,  
148, 136,  
154, 174, 124, 168, 152, 155, 180, 149, 139, 0, 9, 75, 9, 8, 4, 68, 66, 153, 137, 176,  
8, 9, 4, 64, 64, 187, 187, 186, 84, 11, 68, 4, 139, 9, 68, 11, 73, 4, 64, 75,  
155, 187, 153, 187, 185, 75, 185, 198, 168, 73, 153, 187, 153, 11, 187, 187, 181,  
132, 0, 132,  
185, 152, 148, 146, 153, 139, 187, 187, 187, 144, 187, 155, 11, 136, 176, 187, 11,  
187, 184, 184,  
187, 4, 11, 155, 155, 155, 0, 72, 11, 64, 185, 152, 185, 156, 187, 68, 155, 9, 155,  
146,  
187, 68, 9, 128, 0, 156, 171, 152, 157, 34, 153, 146, 4, 75, 139, 154, 206, 169, 136,  
128,  
32, 128, 128, 176, 4, 152, 8, 0, 128, 11, 136, 176, 184, 75, 9, 153, 186, 159, 231,  
115,  
34, 4, 75, 68, 11, 72, 187, 156, 187, 11, 9, 0, 128, 0, 11, 128, 176, 4, 176, 0,  
176, 32, 0, 4, 11, 128, 11, 128, 75, 137, 136, 128, 152, 8, 132, 128, 11, 0, 184, 152,  
136, 136, 11, 187, 64, 0, 153, 128, 176, 138, 171, 9, 136, 8, 153, 176, 187, 75, 0, 8,  
153, 0, 128, 187, 185, 144, 187, 180, 8, 136, 132, 9, 133, 72, 136, 176, 136, 153,  
139, 11,

176, 176, 176, 187, 139, 4, 184, 155, 187, 180, 128, 0, 184, 0, 11, 136, 166, 153,  
136, 68,  
0, 176, 0, 187, 139, 8, 68, 0, 139, 75, 144, 155, 68, 128, 4, 132, 2, 152, 139, 136,  
139, 180, 152, 136, 72, 137, 136, 176, 148, 153, 144, 153, 155, 184, 64, 11, 184,  
153, 148, 187,  
152, 144, 9, 144, 185, 137, 154, 138, 172, 66, 170, 205, 231, 126, 223, 204, 204,  
253, 221, 221,  
223, 202, 169, 136, 64, 137, 155, 75, 185, 75, 148, 75, 4, 73, 73, 187, 68, 8, 9, 178,  
153, 154, 170, 234, 153, 152, 11, 41, 137, 180, 155, 180, 148, 180, 64, 64, 185, 153,  
180, 75,  
0, 187, 0, 36, 64, 8, 185, 156, 84, 180, 11, 8, 128, 41, 4, 4, 144, 64, 68, 9,  
139, 155, 184, 187, 75, 187, 66, 222, 169, 148, 187, 9, 155, 176, 152, 187, 186, 184,  
11, 11,  
155, 152, 180, 184, 137, 187, 185, 176, 184, 180, 187, 155, 155, 153, 11, 11, 73, 75,  
187, 75,  
180, 187, 153, 187, 139, 139, 11, 64, 187, 11, 75, 155, 11, 187, 187, 0, 11, 153, 148,  
153,  
146, 64, 11, 152, 187, 153, 128, 185, 181, 73, 136, 180, 68, 4, 180, 153, 215, 217,  
153, 139,  
8, 128, 11, 176, 137, 136, 11, 8, 176, 176, 187, 187, 176, 68, 146, 155, 66, 154, 103,  
49,  
34, 68, 64, 187, 11, 136, 11, 72, 176, 11, 184, 8, 176, 11, 0, 137, 128, 0, 187, 9,  
11, 0, 187, 187, 139, 187, 0, 0, 8, 139, 128, 8, 139, 8, 0, 176, 155, 187, 144, 137,  
136, 0, 187, 184, 184, 128, 136, 176, 176, 136, 144, 8, 144, 8, 155, 128, 0, 11, 136,  
187,  
8, 128, 11, 73, 136, 139, 139, 0, 72, 187, 8, 187, 8, 176, 184, 137, 136, 152, 11, 176,  
155, 0, 180, 139, 11, 4, 185, 132, 138, 236, 139, 11, 64, 0, 176, 4, 9, 155, 187, 176,  
176, 187, 0, 144, 11, 0, 0, 146, 187, 73, 184, 176, 9, 11, 153, 148, 153, 40, 9, 154,  
196, 155, 139, 9, 137, 152, 136, 137, 153, 146, 68, 152, 187, 139, 128, 184, 136,  
152, 137, 152,  
136, 185, 185, 152, 132, 187, 41, 137, 146, 148, 170, 207, 222, 221, 252, 202, 172,  
253, 221, 223,

252, 202, 170, 137, 156, 66, 155, 184, 128, 130, 4, 4, 64, 4, 75, 75, 11, 187, 169,  
185,  
153, 153, 170, 218, 154, 154, 184, 241, 152, 144, 73, 138, 196, 64, 4, 187, 136, 128,  
155, 185,  
0, 64, 64, 66, 64, 68, 11, 2, 169, 64, 73, 148, 182, 171, 68, 180, 11, 64, 148, 64,  
9, 137, 155, 11, 153, 153, 154, 231, 202, 155, 180, 187, 73, 187, 139, 153, 187, 180,  
185, 11,  
72, 128, 72, 176, 139, 0, 155, 153, 136, 180, 153, 153, 91, 153, 139, 82, 187, 73,  
187, 153,  
155, 73, 144, 187, 187, 75, 11, 187, 185, 185, 185, 176, 176, 187, 185, 176, 184,  
184, 139, 153,  
153, 66, 185, 8, 139, 8, 184, 187, 146, 72, 152, 148, 11, 11, 66, 148, 207, 169, 136,  
137,  
8, 128, 0, 136, 0, 136, 139, 136, 0, 184, 176, 184, 4, 155, 187, 180, 75, 178, 21, 21,  
75, 176, 64, 187, 187, 187, 184, 9, 184, 176, 8, 0, 4, 11, 0, 168, 139, 137, 176, 64,  
187, 187, 0, 11, 184, 11, 176, 139, 8, 11, 8, 0, 128, 136, 187, 4, 43, 8, 136, 0,  
11, 185, 139, 11, 8, 187, 168, 128, 137, 137, 176, 137, 11, 136, 128, 136, 0, 152,  
184, 0,  
8, 11, 144, 11, 187, 136, 184, 185, 184, 185, 75, 128, 184, 184, 11, 176, 128, 148,  
176, 136,  
11, 4, 132, 176, 139, 187, 11, 132, 186, 236, 128, 64, 68, 0, 180, 8, 144, 75, 0, 0,  
8, 128, 128, 0, 180, 0, 11, 145, 153, 64, 137, 132, 75, 11, 0, 155, 187, 11, 11, 188,  
217, 64, 180, 153, 153, 137, 137, 153, 169, 187, 0, 128, 64, 11, 9, 0, 9, 153, 153,  
153,  
8, 73, 128, 160, 72, 68, 130, 146, 152, 146, 42, 172, 255, 223, 252, 170, 172, 207,  
221, 255,  
204, 170, 169, 136, 146, 153, 185, 187, 75, 4, 4, 187, 2, 9, 155, 0, 2, 68, 137, 152,  
148, 72, 154, 153, 154, 204, 64, 41, 169, 69, 0, 74, 226, 75, 73, 75, 153, 4, 139, 0,  
139, 64, 4, 66, 64, 0, 68, 72, 136, 187, 187, 180, 140, 155, 84, 148, 4, 185, 155, 180,  
75, 75, 187, 185, 139, 73, 90, 238, 202, 152, 155, 153, 186, 11, 155, 187, 152, 187,  
0, 185,  
152, 136, 11, 185, 136, 4, 139, 152, 184, 0, 187, 148, 139, 73, 155, 185, 148, 185,  
187, 153,

73, 153, 64, 11, 187, 73, 25, 187, 73, 75, 75, 155, 185, 75, 187, 187, 75, 184, 155,  
187,  
169, 11, 9, 11, 4, 89, 132, 8, 66, 185, 144, 68, 75, 75, 153, 66, 154, 169, 137, 130,  
72, 136, 11, 72, 176, 184, 184, 64, 184, 139, 75, 4, 11, 128, 136, 155, 0, 178, 37, 32,  
75, 139, 0, 155, 0, 180, 137, 136, 187, 176, 0, 11, 0, 64, 11, 139, 0, 8, 4, 11,  
0, 11, 11, 176, 176, 139, 132, 187, 136, 185, 64, 153, 0, 136, 155, 176, 184, 137,  
128, 4,  
144, 168, 128, 11, 184, 132, 136, 132, 8, 136, 176, 136, 176, 128, 8, 0, 4, 128, 177,  
64,  
137, 0, 64, 144, 137, 187, 187, 128, 0, 128, 8, 0, 64, 4, 132, 11, 176, 139, 187, 11,  
9, 73, 164, 139, 180, 11, 0, 0, 73, 153, 132, 75, 187, 153, 0, 9, 180, 64, 152, 180,  
8, 11, 136, 64, 4, 187, 139, 186, 128, 11, 9, 187, 176, 72, 185, 40, 9, 11, 66, 8,  
148, 73, 0, 153, 136, 153, 152, 144, 153, 4, 73, 0, 132, 139, 72, 155, 204, 153, 154,  
148,  
180, 187, 68, 73, 148, 137, 138, 139, 73, 68, 146, 170, 207, 255, 202, 170, 172, 207,  
255, 255,  
202, 170, 168, 153, 154, 185, 0, 155, 0, 2, 4, 136, 176, 155, 4, 75, 155, 8, 153, 137,  
196, 153, 153, 153, 156, 250, 144, 185, 148, 185, 180, 68, 34, 75, 72, 139, 180, 153,  
144, 184,  
144, 0, 178, 187, 0, 64, 64, 153, 171, 148, 68, 148, 72, 144, 89, 4, 128, 137, 155,  
180,  
68, 11, 187, 75, 187, 184, 154, 170, 170, 169, 11, 8, 34, 187, 75, 155, 185, 11, 187,  
185,  
153, 153, 0, 73, 144, 0, 137, 137, 155, 139, 68, 149, 184, 153, 185, 187, 187, 75, 11,  
139,  
185, 187, 64, 187, 180, 186, 105, 187, 187, 75, 73, 171, 128, 187, 75, 73, 148, 187,  
176, 9,  
136, 185, 185, 176, 186, 233, 180, 75, 4, 180, 185, 180, 11, 73, 137, 152, 153, 137,  
146, 148,  
152, 128, 128, 176, 136, 0, 176, 187, 8, 0, 11, 187, 139, 139, 153, 185, 9, 73, 152,  
40,  
180, 4, 0, 32, 184, 2, 152, 139, 153, 176, 0, 139, 0, 187, 144, 75, 0, 128, 144, 132,

8, 184, 11, 184, 128, 176, 139, 128, 152, 132, 128, 148, 8, 186, 137, 176, 137, 176,  
0, 153,  
128, 8, 128, 8, 11, 138, 168, 136, 8, 8, 184, 136, 187, 180, 8, 4, 0, 11, 146, 64,  
139, 8, 136, 187, 8, 8, 0, 11, 139, 8, 0, 8, 11, 152, 11, 164, 10, 75, 180, 2,  
64, 153, 171, 184, 0, 8, 128, 64, 187, 136, 136, 184, 187, 176, 137, 155, 128, 139,  
176, 155,  
136, 139, 128, 4, 75, 11, 128, 0, 0, 0, 8, 11, 180, 155, 176, 176, 11, 9, 185, 0,  
8, 144, 0, 136, 186, 152, 204, 160, 73, 137, 148, 132, 8, 0, 161, 155, 170, 144, 136,  
148,  
11, 187, 187, 136, 8, 73, 136, 169, 154, 66, 68, 154, 156, 202, 170, 170, 170, 204,  
207, 204,  
202, 169, 168, 153, 187, 0, 139, 132, 144, 11, 152, 75, 176, 75, 5, 0, 148, 139, 153,  
139,  
68, 152, 180, 184, 137, 153, 153, 64, 185, 185, 162, 64, 148, 64, 75, 75, 155, 41, 73,  
139,  
137, 72, 187, 176, 0, 4, 4, 144, 187, 152, 43, 4, 137, 9, 144, 185, 130, 185, 176, 0,  
75, 64, 148, 176, 187, 152, 9, 137, 152, 153, 187, 0, 153, 11, 11, 176, 155, 187, 155,  
155,  
153, 176, 153, 75, 8, 68, 66, 152, 185, 148, 187, 154, 155, 8, 0, 176, 187, 187, 187,  
128,  
0, 187, 185, 152, 155, 4, 153, 187, 185, 180, 159, 196, 187, 64, 187, 187, 187, 187,  
144, 0,  
73, 187, 187, 68, 75, 73, 4, 11, 75, 180, 155, 178, 180, 139, 137, 155, 184, 152, 153,  
185,  
9, 8, 64, 0, 144, 136, 166, 4, 8, 0, 187, 155, 176, 11, 153, 72, 187, 152, 153, 187,  
184, 9, 11, 180, 0, 187, 136, 128, 11, 0, 137, 155, 187, 11, 11, 8, 0, 176, 152, 187,  
184, 11, 0, 139, 176, 0, 139, 184, 136, 11, 184, 176, 0, 138, 176, 9, 8, 0, 0, 0,  
128, 0, 11, 137, 185, 187, 137, 137, 139, 152, 187, 144, 0, 128, 11, 139, 136, 137,  
146, 176,  
128, 153, 4, 128, 187, 128, 9, 128, 32, 72, 187, 136, 8, 139, 0, 64, 75, 148, 75, 128,  
68, 191, 121, 75, 64, 128, 11, 11, 176, 187, 184, 8, 176, 0, 187, 137, 180, 153, 36,  
139,

139, 153, 136, 139, 184, 187, 139, 128, 176, 187, 176, 148, 73, 132, 187, 0, 185,  
185, 184, 185,  
169, 144, 9, 144, 9, 137, 221, 153, 136, 187, 137, 184, 139, 139, 157, 155, 128, 137,  
152, 185,  
75, 0, 168, 136, 137, 32, 137, 137, 148, 36, 66, 73, 170, 170, 153, 170, 170, 204,  
204, 202,  
170, 170, 136, 137, 64, 187, 187, 180, 152, 146, 24, 73, 218, 9, 128, 148, 75, 144,  
136, 176,  
68, 155, 133, 154, 41, 185, 153, 2, 73, 184, 148, 68, 11, 4, 148, 75, 153, 169, 137,  
139,  
9, 4, 144, 4, 0, 184, 139, 0, 139, 184, 137, 11, 178, 75, 9, 41, 138, 11, 68, 73,  
164, 148, 68, 4, 75, 178, 187, 185, 152, 153, 144, 0, 187, 187, 68, 178, 187, 149, 73,  
153,  
185, 187, 84, 187, 187, 144, 75, 0, 153, 139, 137, 174, 210, 180, 187, 187, 75, 187,  
75, 176,  
155, 75, 75, 11, 155, 187, 68, 155, 185, 148, 156, 171, 144, 187, 148, 187, 187, 187,  
8, 136,  
4, 185, 153, 155, 46, 43, 186, 75, 185, 187, 185, 75, 184, 187, 152, 155, 73, 139, 34,  
153,  
136, 8, 0, 176, 176, 155, 68, 128, 0, 4, 176, 180, 11, 185, 139, 64, 75, 184, 152, 139,  
72, 128, 11, 187, 176, 0, 176, 75, 64, 180, 0, 75, 0, 176, 0, 176, 4, 8, 152, 187,  
128, 139, 136, 153, 4, 136, 8, 184, 136, 186, 171, 4, 11, 187, 139, 8, 137, 8, 136,  
144,  
136, 136, 152, 136, 239, 155, 0, 136, 139, 139, 176, 128, 128, 128, 8, 137, 136, 176,  
136, 128,  
0, 8, 10, 164, 11, 176, 185, 187, 0, 153, 75, 185, 176, 0, 132, 0, 11, 146, 32, 185,  
0, 153, 41, 187, 187, 9, 11, 136, 139, 187, 8, 132, 176, 0, 184, 0, 136, 0, 176, 187,  
0, 72, 187, 139, 73, 139, 137, 108, 155, 152, 0, 138, 41, 155, 72, 132, 0, 0, 176, 178,  
168, 137, 8, 152, 187, 168, 169, 152, 187, 2, 72, 9, 153, 136, 186, 73, 136, 148, 137,  
176,  
11, 176, 176, 180, 176, 75, 137, 186, 132, 34, 34, 169, 154, 202, 153, 154, 170, 202,  
202, 170,

170, 152, 184, 185, 180, 180, 187, 178, 160, 144, 139, 185, 84, 187, 152, 185, 132,  
187, 148, 132,  
64, 155, 138, 202, 155, 155, 136, 75, 0, 139, 105, 75, 68, 68, 73, 73, 154, 169, 40,  
152,  
144, 178, 139, 64, 9, 152, 0, 185, 139, 184, 132, 11, 2, 178, 197, 0, 148, 9, 251, 9,  
73, 0, 11, 144, 0, 156, 249, 152, 137, 153, 187, 187, 155, 187, 187, 155, 187, 178,  
187, 128,  
176, 180, 185, 185, 180, 184, 4, 185, 75, 180, 0, 154, 41, 176, 148, 75, 148, 180,  
155, 180,  
212, 180, 187, 148, 187, 43, 73, 185, 156, 164, 187, 187, 187, 187, 187, 68, 187,  
187, 176, 180,  
180, 11, 187, 153, 66, 43, 155, 187, 68, 187, 176, 11, 152, 152, 154, 144, 153, 184,  
155, 148,  
4, 136, 176, 11, 0, 128, 11, 72, 8, 11, 64, 0, 184, 130, 137, 0, 64, 184, 9, 184,  
187, 139, 0, 176, 0, 139, 0, 153, 187, 4, 4, 72, 176, 132, 64, 0, 184, 184, 139, 0,  
0, 187, 8, 130, 75, 176, 136, 187, 64, 64, 0, 0, 11, 0, 136, 136, 0, 128, 11, 8,  
11, 176, 176, 8, 26, 153, 153, 155, 0, 155, 128, 0, 0, 128, 136, 153, 139, 0, 0, 176,  
8, 8, 15, 24, 185, 184, 11, 128, 187, 136, 139, 11, 176, 136, 4, 0, 64, 155, 72, 43,  
11, 68, 66, 155, 176, 64, 150, 40, 139, 176, 176, 128, 144, 128, 144, 64, 180, 0, 180,  
0,  
4, 187, 184, 139, 185, 128, 11, 162, 155, 139, 176, 146, 11, 11, 155, 187, 0, 64, 139,  
185,  
136, 185, 9, 152, 137, 187, 73, 153, 128, 187, 68, 137, 153, 152, 0, 154, 128, 73,  
176, 139,  
176, 187, 148, 12, 144, 68, 153, 185, 186, 97, 40, 178, 149, 169, 169, 169, 170, 170,  
170, 170,  
169, 153, 139, 187, 187, 11, 75, 4, 64, 64, 144, 75, 152, 176, 181, 187, 0, 153, 185,  
9,  
187, 153, 174, 127, 196, 153, 176, 36, 72, 146, 137, 43, 0, 75, 8, 148, 170, 170, 168,  
139,  
187, 9, 36, 64, 75, 180, 155, 64, 72, 9, 128, 146, 68, 146, 80, 8, 132, 11, 155, 75,  
130, 176, 187, 153, 155, 156, 213, 40, 176, 139, 187, 4, 144, 75, 176, 187, 187, 185,  
187, 68,



0, 187, 187, 187, 155, 187, 172, 187, 153, 68, 8, 180, 75, 139, 90, 155, 187, 180,  
153, 185,  
171, 153, 187, 68, 153, 187, 153, 155, 187, 187, 185, 185, 155, 187, 187, 73, 187,  
180, 75, 155,  
68, 187, 185, 155, 75, 187, 187, 180, 75, 185, 185, 176, 184, 132, 185, 11, 185, 144,  
176, 185,  
176, 0, 0, 4, 0, 4, 11, 128, 9, 11, 185, 180, 187, 136, 153, 11, 11, 139, 11, 184,  
73, 43, 139, 155, 11, 11, 0, 0, 9, 75, 0, 184, 184, 0, 0, 8, 0, 184, 184, 8,  
8, 66, 176, 0, 187, 176, 8, 184, 4, 0, 0, 11, 0, 8, 8, 184, 184, 187, 137, 148,  
144, 136, 0, 8, 128, 152, 136, 187, 176, 152, 184, 128, 128, 184, 242, 152, 128, 128,  
136, 136,  
155, 0, 0, 128, 139, 0, 176, 139, 11, 137, 136, 75, 176, 187, 0, 0, 176, 176, 9, 153,  
176, 128, 184, 11, 8, 176, 185, 152, 178, 176, 11, 187, 75, 11, 11, 132, 180, 43, 11,  
155,  
176, 139, 176, 176, 72, 187, 184, 187, 155, 187, 176, 75, 178, 68, 176, 187, 187,  
144, 64, 0,  
72, 0, 73, 139, 139, 128, 185, 168, 146, 0, 153, 136, 136, 153, 144, 168, 130, 43,  
176, 176,  
75, 184, 187, 149, 68, 68, 130, 184, 152, 169, 146, 66, 156, 169, 138, 169, 162, 170,  
170, 169,  
170, 152, 187, 184, 75, 180, 187, 187, 180, 144, 180, 155, 137, 68, 148, 187, 75, 9,  
4, 75,  
153, 4, 159, 218, 155, 73, 0, 73, 4, 9, 11, 75, 139, 11, 11, 153, 172, 202, 169, 155,  
75, 187, 187, 75, 32, 176, 37, 64, 132, 185, 64, 153, 148, 136, 128, 68, 0, 4, 75, 132,  
155, 11, 185, 187, 137, 185, 148, 187, 180, 137, 155, 187, 11, 75, 75, 187, 11, 187,  
187, 155,  
187, 187, 11, 64, 139, 153, 222, 168, 132, 73, 187, 21, 75, 176, 170, 73, 187, 68, 37,  
68,  
155, 155, 187, 73, 187, 185, 73, 187, 139, 187, 180, 75, 187, 187, 75, 155, 155, 68,  
75, 155,  
68, 187, 73, 148, 187, 155, 180, 185, 187, 155, 144, 185, 187, 185, 75, 8, 185, 152,  
75, 152,

8, 136, 0, 0, 176, 0, 64, 128, 137, 144, 187, 184, 136, 153, 136, 155, 187, 187, 11,  
130,  
68, 160, 136, 128, 11, 8, 187, 64, 191, 52, 136, 128, 0, 11, 139, 11, 187, 8, 128, 128,  
144, 180, 139, 0, 185, 0, 0, 128, 8, 176, 176, 0, 4, 185, 9, 64, 137, 137, 136, 176,  
152, 8, 8, 128, 139, 0, 184, 139, 187, 8, 176, 128, 180, 9, 220, 160, 128, 72, 154,  
152,  
154, 180, 187, 0, 136, 176, 128, 64, 176, 176, 187, 176, 136, 187, 180, 0, 4, 184, 11,  
137,  
128, 11, 0, 187, 184, 0, 9, 8, 5, 11, 8, 128, 11, 0, 0, 128, 64, 155, 176, 176,  
11, 75, 128, 0, 184, 139, 187, 75, 187, 187, 0, 0, 11, 137, 184, 152, 4, 75, 0, 9,  
64, 2, 82, 40, 137, 8, 152, 184, 155, 176, 0, 155, 187, 155, 152, 137, 136, 68, 11, 0,  
187, 136, 144, 73, 139, 75, 180, 187, 185, 155, 153, 153, 156, 169, 168, 202, 162,  
170, 170, 154,  
152, 153, 180, 176, 184, 176, 137, 176, 72, 180, 75, 152, 75, 187, 152, 187, 185,  
184, 144, 176,  
0, 153, 154, 169, 149, 68, 9, 148, 153, 153, 180, 64, 152, 176, 153, 154, 197, 202,  
169, 137,  
148, 139, 184, 144, 0, 180, 86, 32, 0, 68, 11, 139, 146, 50, 64, 0, 8, 139, 9, 144,  
148, 187, 11, 72, 9, 137, 187, 187, 68, 68, 75, 180, 187, 187, 187, 64, 11, 0,  
153,  
75, 4, 11, 68, 11, 75, 202, 155, 11, 68, 176, 36, 72, 68, 180, 185, 155, 185, 149, 68,  
187, 187, 187, 176, 185, 187, 155, 187, 187, 187, 74, 153, 176, 187, 187, 185, 187,  
180, 187, 180,  
64, 187, 187, 75, 82, 187, 75, 153, 187, 185, 187, 187, 0, 187, 185, 152, 41, 155, 75,  
185,  
64, 128, 0, 0, 128, 11, 0, 8, 144, 139, 0, 187, 187, 187, 155, 176, 187, 0, 9, 148,  
32, 11, 9, 176, 128, 187, 139, 139, 186, 196, 137, 155, 180, 8, 137, 0, 11, 0, 136,  
176,  
11, 0, 0, 155, 184, 176, 0, 187, 72, 187, 0, 8, 0, 11, 139, 11, 153, 88, 137, 8,  
136, 11, 0, 128, 128, 0, 0, 136, 9, 136, 128, 8, 150, 72, 153, 128, 75, 2, 173, 154,  
136, 9, 0, 187, 0, 187, 4, 187, 9, 0, 187, 187, 11, 64, 139, 4, 0, 176, 68, 139,  
185, 0, 180, 0, 184, 184, 0, 11, 64, 176, 139, 185, 144, 176, 176, 187, 11, 0, 184, 64,

184, 11, 0, 187, 152, 176, 184, 185, 187, 2, 91, 9, 64, 184, 156, 187, 176, 153, 176,  
0,  
176, 1, 98, 152, 184, 128, 176, 11, 8, 176, 4, 187, 72, 144, 139, 153, 146, 32, 176,  
153,  
184, 137, 4, 75, 185, 180, 144, 176, 152, 148, 66, 74, 98, 169, 146, 197, 34, 162,  
153, 153,  
153, 171, 148, 72, 184, 187, 180, 187, 75, 176, 180, 136, 176, 187, 155, 75, 9, 187,  
4, 68,  
75, 152, 68, 154, 159, 32, 187, 43, 213, 75, 4, 187, 139, 153, 9, 170, 204, 204, 168,  
152,  
153, 137, 132, 132, 75, 137, 66, 64, 4, 152, 187, 8, 130, 244, 184, 4, 72, 130, 84,  
137,  
137, 180, 136, 137, 184, 185, 184, 139, 176, 64, 185, 164, 75, 153, 75, 187, 75, 139,  
152, 154,  
148, 11, 180, 68, 11, 185, 153, 187, 66, 84, 153, 10, 64, 4, 176, 185, 75, 185, 68, 68,  
187, 180, 180, 187, 185, 155, 187, 180, 68, 187, 187, 187, 187, 187, 187, 155, 187,  
187, 187, 180,  
75, 187, 75, 75, 212, 180, 185, 146, 185, 187, 185, 68, 11, 187, 187, 152, 137, 136,  
64, 8,  
11, 136, 11, 128, 136, 75, 176, 8, 8, 137, 64, 176, 8, 139, 176, 176, 8, 68, 11, 4,  
68, 4, 9, 73, 136, 187, 152, 136, 155, 184, 152, 176, 4, 0, 11, 176, 8, 128, 141, 244,  
11, 155, 8, 155, 4, 144, 8, 176, 34, 152, 0, 11, 176, 184, 176, 0, 169, 136, 10, 176,  
136, 11, 128, 128, 136, 8, 8, 11, 11, 139, 0, 0, 144, 128, 4, 128, 4, 186, 175, 168,  
136, 176, 0, 144, 176, 139, 4, 9, 144, 11, 184, 136, 128, 187, 214, 8, 176, 8, 34, 180,  
36, 0, 0, 185, 139, 132, 75, 130, 11, 187, 9, 176, 176, 0, 4, 0, 176, 155, 180, 176,  
144, 0, 184, 176, 139, 176, 11, 4, 184, 159, 219, 64, 176, 11, 70, 68, 154, 187, 0,  
152,  
187, 185, 36, 137, 0, 4, 152, 136, 153, 185, 89, 9, 0, 0, 137, 73, 132, 73, 185, 128,  
176, 128, 185, 144, 144, 185, 187, 64, 139, 137, 148, 156, 245, 196, 153, 66, 169,  
42, 169, 153,  
185, 73, 75, 185, 139, 139, 11, 184, 155, 187, 184, 187, 8, 11, 185, 11, 11, 136, 136,  
180,

155, 73, 66, 64, 156, 91, 132, 75, 28, 136, 185, 41, 187, 43, 68, 42, 207, 204, 169,  
168,  
136, 180, 4, 128, 9, 144, 64, 68, 74, 218, 128, 8, 75, 4, 144, 4, 41, 180, 68, 153,  
136, 9, 153, 144, 178, 187, 155, 176, 73, 9, 153, 105, 180, 153, 185, 155, 176, 152,  
139, 69,  
89, 73, 153, 73, 136, 9, 153, 73, 36, 68, 153, 42, 4, 187, 132, 180, 75, 174, 148, 187,  
187, 187, 43, 176, 185, 187, 187, 66, 75, 153, 75, 75, 187, 187, 187, 187, 11, 187,  
187, 155,  
187, 155, 75, 187, 75, 148, 75, 185, 153, 11, 146, 68, 0, 187, 187, 186, 43, 8, 8, 176,  
187, 8, 0, 43, 4, 0, 136, 8, 184, 11, 187, 187, 184, 73, 176, 176, 187, 0, 66, 73,  
11, 180, 75, 187, 176, 0, 155, 139, 8, 11, 139, 75, 0, 4, 132, 0, 0, 139, 8, 160,  
8, 184, 185, 137, 185, 180, 187, 11, 145, 43, 0, 64, 0, 8, 152, 178, 154, 152, 136,  
176,  
9, 0, 8, 8, 8, 146, 176, 11, 184, 0, 64, 0, 136, 11, 72, 136, 0, 137, 73, 152,  
139, 176, 0, 176, 8, 176, 75, 184, 8, 139, 187, 8, 155, 152, 160, 176, 4, 64, 245, 0,  
187, 11, 11, 187, 11, 11, 176, 128, 8, 0, 8, 139, 0, 4, 4, 9, 0, 8, 0, 0,  
64, 8, 187, 128, 11, 0, 8, 187, 153, 158, 20, 64, 187, 144, 8, 180, 184, 128, 184, 137,  
132, 187, 0, 155, 0, 187, 0, 4, 128, 11, 176, 4, 75, 176, 187, 184, 136, 11, 68, 144,  
0, 0, 148, 144, 73, 148, 148, 8, 180, 176, 187, 155, 42, 162, 36, 153, 41, 170, 155,  
168,  
152, 155, 187, 187, 187, 180, 68, 185, 187, 72, 155, 176, 128, 144, 11, 0, 187, 184,  
187, 72,  
8, 176, 176, 184, 11, 136, 152, 68, 185, 139, 137, 176, 136, 139, 153, 42, 207, 252,  
169, 136,  
137, 176, 186, 153, 153, 155, 4, 4, 73, 136, 152, 144, 148, 64, 75, 137, 148, 72, 180,  
41,  
155, 75, 137, 153, 137, 186, 171, 185, 176, 152, 4, 75, 180, 164, 153, 185, 187, 184,  
128, 185,  
239, 68, 152, 185, 152, 137, 187, 75, 187, 4, 137, 205, 64, 75, 144, 180, 185, 79,  
180, 169,  
185, 153, 73, 75, 187, 144, 11, 68, 180, 155, 155, 185, 153, 176, 11, 180, 180, 185,  
64, 187,

185, 187, 186, 187, 187, 187, 185, 187, 184, 185, 187, 187, 11, 0, 187, 145, 36, 73,  
180, 148,  
148, 152, 11, 75, 144, 128, 8, 64, 136, 0, 66, 0, 136, 136, 184, 68, 176, 187, 0, 187,  
176, 64, 11, 187, 184, 139, 144, 11, 176, 128, 180, 64, 11, 0, 0, 128, 0, 155, 4, 8,  
8, 8, 187, 152, 187, 176, 11, 0, 74, 144, 187, 8, 132, 0, 185, 73, 152, 152, 136, 144,  
9, 152, 0, 8, 4, 176, 4, 185, 72, 4, 75, 128, 132, 9, 139, 8, 128, 8, 8, 136,  
139, 8, 184, 0, 128, 139, 176, 176, 184, 36, 0, 128, 8, 176, 128, 0, 4, 80, 180, 8,  
41, 43, 64, 184, 136, 185, 176, 11, 73, 139, 8, 136, 128, 0, 32, 136, 184, 0, 0, 0,  
187, 187, 128, 139, 4, 68, 75, 152, 8, 146, 68, 176, 180, 64, 187, 4, 130, 136, 132,  
184,  
144, 0, 68, 11, 64, 9, 64, 132, 11, 184, 153, 4, 130, 153, 136, 75, 64, 148, 187, 185,  
75, 64, 180, 176, 8, 0, 138, 180, 75, 11, 130, 73, 74, 164, 73, 170, 146, 162, 185,  
153,  
171, 148, 180, 0, 186, 75, 180, 152, 40, 176, 187, 11, 4, 139, 176, 178, 187, 11, 68,  
64,  
139, 176, 2, 155, 36, 178, 164, 73, 11, 8, 75, 32, 155, 176, 139, 170, 255, 252, 170,  
152,  
155, 128, 187, 185, 136, 11, 4, 4, 168, 128, 9, 138, 144, 155, 128, 11, 72, 153, 68,  
75,  
164, 139, 153, 73, 155, 47, 201, 185, 153, 136, 187, 11, 170, 43, 155, 187, 185, 8,  
144, 0,  
171, 75, 153, 152, 152, 155, 187, 185, 176, 0, 152, 148, 11, 186, 152, 9, 185, 155,  
73, 187,  
185, 75, 187, 43, 75, 176, 180, 155, 180, 187, 185, 174, 170, 0, 11, 187, 187, 155,  
176, 187,  
75, 187, 187, 187, 155, 187, 180, 75, 155, 184, 187, 176, 187, 139, 185, 180, 73, 0,  
11, 187,  
9, 176, 8, 0, 0, 187, 184, 11, 9, 184, 66, 75, 176, 137, 187, 187, 0, 186, 153, 136,  
176, 176, 136, 8, 152, 0, 75, 11, 176, 136, 187, 0, 176, 0, 0, 128, 137, 64, 0, 128,  
8, 128, 137, 168, 249, 11, 0, 11, 8, 155, 176, 8, 180, 64, 0, 137, 187, 136, 187, 185,  
8, 0, 128, 0, 132, 187, 207, 144, 8, 0, 11, 184, 2, 8, 128, 136, 0, 144, 136, 128,  
152, 11, 187, 11, 152, 139, 176, 75, 187, 4, 64, 9, 0, 128, 152, 0, 128, 11, 155, 152,  
215, 41, 0, 176, 128, 128, 0, 187, 68, 184, 72, 139, 132, 8, 128, 185, 128, 75, 144, 9,

155, 11, 176, 75, 180, 8, 155, 11, 0, 11, 32, 68, 0, 187, 9, 152, 153, 139, 132, 8,  
8, 187, 128, 128, 187, 185, 144, 0, 11, 75, 176, 139, 184, 137, 8, 176, 8, 180, 176,  
10,  
32, 180, 9, 73, 73, 9, 153, 146, 148, 11, 153, 66, 74, 148, 41, 152, 188, 229, 214,  
137,  
202, 148, 187, 176, 180, 153, 187, 11, 40, 176, 8, 8, 187, 137, 155, 152, 64, 0, 0,  
168,  
155, 4, 148, 0, 144, 9, 0, 137, 176, 68, 64, 152, 68, 4, 185, 170, 207, 255, 170, 153,  
139, 4, 155, 75, 180, 64, 68, 68, 185, 139, 75, 137, 153, 8, 187, 176, 11, 8, 0, 11,  
152, 4, 139, 137, 178, 218, 144, 187, 187, 155, 139, 185, 36, 185, 139, 155, 184,  
187, 185, 187,  
144, 176, 8, 137, 137, 11, 137, 185, 187, 176, 137, 139, 154, 151, 249, 155, 155,  
144, 68, 155,  
148, 187, 43, 185, 155, 187, 154, 105, 75, 11, 187, 166, 169, 148, 187, 11, 176, 180,  
187, 207,  
155, 176, 187, 153, 187, 187, 11, 187, 153, 187, 187, 180, 153, 0, 155, 184, 72, 155,  
155, 187,  
176, 0, 0, 128, 136, 180, 176, 176, 136, 136, 4, 187, 11, 152, 155, 152, 0, 141, 18,  
136,  
176, 11, 64, 136, 128, 176, 0, 9, 139, 139, 0, 187, 0, 11, 184, 0, 128, 9, 8, 8,  
136, 0, 11, 169, 250, 136, 187, 184, 184, 0, 0, 128, 137, 160, 152, 139, 0, 8, 11, 11,  
184, 136, 176, 184, 136, 0, 69, 9, 8, 176, 128, 0, 180, 8, 176, 139, 184, 11, 0, 148,  
136, 75, 176, 184, 128, 11, 176, 8, 136, 11, 74, 11, 180, 64, 0, 8, 144, 136, 75, 153,  
204, 155, 176, 184, 139, 187, 0, 187, 8, 137, 136, 187, 0, 0, 64, 152, 155, 128, 8, 75,  
73, 155, 139, 64, 184, 75, 176, 184, 187, 176, 187, 0, 4, 187, 184, 139, 187, 184,  
187, 136,  
128, 155, 180, 11, 4, 153, 148, 0, 32, 11, 184, 68, 180, 144, 8, 75, 144, 187, 72, 4,  
184, 152, 139, 139, 73, 176, 187, 68, 4, 155, 187, 73, 170, 169, 153, 136, 74, 26,  
170, 42,  
154, 155, 155, 187, 9, 41, 177, 64, 180, 184, 64, 155, 184, 185, 176, 130, 68, 68,  
184, 11,  
68, 75, 66, 41, 82, 185, 176, 72, 4, 17, 9, 73, 153, 155, 153, 204, 205, 252, 170, 152,

176, 139, 144, 176, 68, 139, 0, 2, 207, 136, 132, 155, 155, 180, 152, 155, 184, 152,  
176, 73,  
139, 0, 11, 11, 187, 36, 73, 185, 187, 187, 73, 185, 155, 153, 9, 185, 187, 180, 176,  
185,  
185, 139, 0, 136, 132, 8, 187, 132, 187, 176, 185, 187, 153, 154, 153, 139, 169, 152,  
171, 187,  
187, 11, 187, 68, 187, 75, 64, 43, 176, 187, 180, 155, 148, 155, 11, 153, 153, 187,  
148, 170,  
148, 187, 187, 153, 187, 187, 187, 68, 185, 153, 155, 187, 187, 187, 185, 153, 9,  
185, 187, 144,  
0, 176, 11, 176, 11, 155, 8, 184, 11, 8, 184, 176, 0, 72, 176, 136, 184, 4, 137, 139,  
4, 0, 75, 136, 11, 184, 75, 176, 137, 144, 160, 139, 187, 0, 0, 136, 11, 187, 128, 176,  
8, 8, 136, 8, 136, 139, 0, 176, 4, 4, 128, 128, 138, 91, 152, 0, 11, 0, 176, 136,  
128, 184, 176, 8, 139, 11, 184, 187, 132, 128, 4, 176, 144, 176, 184, 0, 128, 8, 11,  
128,  
177, 64, 180, 187, 0, 184, 11, 187, 0, 155, 184, 187, 187, 40, 128, 136, 144, 137, 74,  
252,  
217, 153, 139, 0, 187, 0, 155, 187, 0, 139, 75, 187, 0, 8, 68, 66, 144, 180, 132, 0,  
4, 176, 152, 187, 169, 155, 139, 136, 8, 75, 132, 187, 64, 155, 176, 185, 155, 187,  
11, 0,  
155, 152, 0, 139, 11, 36, 153, 176, 11, 187, 184, 4, 176, 64, 176, 68, 136, 8, 144,  
128,  
155, 137, 152, 180, 72, 8, 64, 187, 4, 89, 153, 154, 154, 169, 153, 137, 146, 153,  
153, 178,  
153, 181, 185, 187, 75, 75, 178, 0, 11, 187, 136, 187, 187, 136, 132, 180, 32, 153,  
148, 68,  
68, 176, 153, 75, 162, 75, 187, 180, 68, 36, 0, 72, 137, 155, 156, 252, 253, 255, 170,  
136,  
155, 155, 180, 185, 148, 9, 128, 144, 255, 155, 176, 42, 57, 185, 139, 4, 68, 152, 64,  
153,  
148, 178, 68, 11, 139, 148, 68, 178, 187, 180, 73, 73, 155, 187, 187, 187, 187, 185,  
155, 197,

153, 187, 184, 180, 132, 187, 43, 152, 185, 187, 187, 187, 187, 176, 152, 0, 137,  
144, 187, 185,  
144, 187, 149, 75, 187, 187, 187, 180, 187, 187, 180, 180, 187, 187, 187, 187, 34,  
187, 153, 155,  
155, 187, 73, 185, 155, 187, 180, 68, 90, 155, 187, 187, 0, 9, 187, 187, 187, 185,  
185, 139,  
132, 0, 187, 11, 0, 184, 128, 187, 176, 185, 137, 184, 187, 139, 11, 8, 187, 8, 144, 8,  
148, 4, 184, 8, 11, 8, 75, 187, 0, 128, 64, 187, 176, 187, 139, 128, 8, 11, 11, 187,  
0, 144, 128, 8, 136, 11, 152, 176, 138, 144, 137, 176, 137, 192, 0, 139, 11, 180, 187,  
136,  
164, 152, 185, 184, 128, 11, 139, 139, 128, 176, 8, 8, 11, 139, 0, 128, 4, 9, 0, 8,  
1, 176, 176, 176, 187, 0, 128, 0, 75, 128, 187, 184, 11, 8, 11, 136, 0, 8, 154, 202,  
136, 139, 180, 176, 187, 184, 148, 74, 184, 176, 64, 184, 75, 11, 187, 154, 80, 4,  
180, 0,  
187, 152, 187, 137, 237, 139, 153, 187, 184, 185, 139, 4, 11, 132, 187, 180, 184,  
136, 176, 187,  
25, 139, 11, 11, 176, 75, 155, 0, 0, 0, 176, 176, 176, 187, 73, 185, 144, 139, 187, 9,  
4, 12, 41, 68, 75, 0, 139, 180, 184, 148, 153, 149, 28, 169, 153, 153, 137, 155, 153,  
34,  
155, 180, 70, 89, 176, 137, 155, 75, 184, 137, 148, 153, 176, 184, 187, 185, 0, 156,  
204, 34,  
185, 72, 155, 180, 187, 73, 139, 152, 4, 66, 64, 75, 185, 139, 154, 207, 253, 252,  
202, 153,  
139, 184, 11, 180, 155, 176, 180, 11, 138, 184, 185, 187, 16, 187, 139, 187, 187,  
128, 132, 152,  
187, 4, 4, 11, 144, 155, 187, 73, 180, 75, 75, 170, 73, 176, 187, 155, 185, 155, 152,  
154,  
153, 187, 155, 187, 176, 176, 41, 153, 155, 187, 187, 187, 187, 180, 144, 155, 153,  
170, 153, 139,  
75, 11, 148, 75, 75, 181, 148, 68, 75, 187, 144, 185, 187, 185, 146, 187, 187, 187,  
185, 170,  
207, 75, 187, 187, 187, 187, 75, 68, 187, 155, 187, 11, 187, 185, 187, 75, 187, 36,  
144, 11,



139, 0, 0, 139, 187, 137, 139, 0, 0, 136, 8, 128, 75, 75, 176, 139, 0, 136, 0, 184,  
128, 0, 184, 139, 128, 11, 155, 187, 0, 64, 176, 136, 11, 128, 0, 128, 8, 0, 8, 11,  
176, 136, 9, 8, 128, 0, 0, 0, 11, 184, 152, 144, 185, 160, 144, 176, 176, 187, 176, 11,  
65, 84, 11, 11, 33, 137, 184, 128, 180, 139, 187, 139, 176, 64, 0, 8, 0, 152, 8, 11,  
0, 11, 187, 0, 184, 139, 180, 0, 187, 0, 184, 187, 176, 139, 136, 128, 155, 64, 152,  
136,  
152, 139, 0, 187, 139, 185, 139, 146, 136, 136, 155, 136, 155, 0, 185, 10, 43, 139, 0,  
132,  
11, 136, 187, 138, 220, 155, 176, 73, 11, 184, 144, 11, 176, 149, 187, 185, 72, 139,  
184, 9,  
137, 75, 72, 11, 4, 176, 187, 0, 187, 180, 8, 139, 11, 132, 187, 8, 139, 136, 155, 8,  
132, 2, 41, 185, 187, 8, 184, 64, 136, 137, 73, 172, 61, 249, 153, 43, 41, 36, 185,  
155,  
66, 185, 45, 91, 187, 68, 155, 11, 11, 184, 139, 0, 9, 180, 64, 180, 155, 79, 206, 194,  
18, 155, 155, 68, 176, 4, 36, 184, 11, 40, 8, 0, 178, 34, 170, 255, 221, 220, 170, 152,  
155, 136, 152, 187, 0, 11, 0, 75, 176, 187, 0, 64, 187, 68, 185, 73, 187, 184, 186, 34,  
82, 128, 4, 185, 32, 155, 75, 185, 75, 187, 75, 86, 105, 73, 178, 43, 185, 191, 234,  
106,  
43, 73, 155, 185, 187, 75, 74, 106, 176, 185, 155, 11, 155, 187, 4, 153, 74, 252, 153,  
155,  
187, 155, 75, 187, 68, 187, 75, 187, 187, 187, 176, 187, 187, 187, 153, 155, 11, 187,  
187, 173,  
170, 187, 187, 187, 185, 155, 75, 187, 155, 180, 187, 187, 187, 68, 185, 64, 187,  
148, 75, 176,  
128, 0, 9, 176, 8, 144, 128, 4, 0, 0, 0, 132, 136, 0, 8, 128, 144, 0, 0, 8,  
139, 155, 8, 176, 11, 9, 139, 4, 0, 0, 11, 136, 139, 128, 176, 0, 8, 0, 176, 0,  
139, 8, 0, 136, 0, 11, 0, 8, 128, 137, 185, 176, 4, 153, 64, 68, 11, 136, 187, 0,  
11, 43, 176, 11, 148, 155, 155, 0, 136, 139, 11, 137, 128, 64, 8, 128, 176, 153, 11,  
176,  
64, 4, 139, 176, 144, 203, 0, 4, 0, 64, 11, 176, 0, 128, 187, 132, 144, 11, 8, 136,  
155, 176, 184, 152, 155, 0, 184, 136, 136, 139, 132, 8, 0, 153, 155, 66, 144, 139, 11,  
8,

75, 152, 9, 136, 152, 137, 184, 153, 149, 73, 176, 10, 187, 186, 155, 137, 176, 128,  
132, 187,  
176, 0, 128, 0, 176, 68, 176, 184, 139, 176, 0, 8, 4, 64, 0, 75, 180, 148, 66, 152,  
128, 68, 9, 128, 4, 8, 137, 185, 8, 155, 130, 181, 243, 242, 108, 187, 186, 153, 152,  
75,  
180, 187, 139, 155, 180, 176, 11, 187, 0, 153, 148, 187, 136, 0, 152, 139, 9, 73, 37,  
75,  
250, 250, 146, 184, 187, 187, 72, 153, 25, 128, 68, 185, 185, 186, 172, 253, 221,  
252, 170, 152,  
155, 152, 137, 187, 75, 75, 180, 184, 75, 180, 75, 64, 4, 178, 149, 155, 155, 152,  
180, 149,  
98, 64, 75, 153, 68, 11, 176, 11, 148, 185, 181, 165, 91, 180, 187, 187, 185, 156,  
250, 242,  
152, 155, 11, 187, 89, 73, 156, 217, 72, 178, 75, 182, 89, 75, 159, 169, 173, 125,  
169, 137,  
139, 155, 75, 187, 146, 180, 43, 75, 187, 178, 180, 185, 187, 11, 169, 132, 187, 185,  
185, 187,  
185, 187, 148, 180, 187, 185, 187, 155, 144, 187, 180, 187, 148, 75, 11, 180, 187,  
156, 59, 176,  
164, 0, 11, 176, 8, 8, 128, 128, 8, 0, 8, 139, 72, 128, 128, 180, 4, 176, 128, 8,  
0, 8, 8, 0, 128, 136, 176, 0, 64, 0, 152, 144, 139, 137, 0, 8, 144, 64, 0, 32,  
184, 11, 128, 139, 73, 11, 139, 128, 8, 184, 8, 184, 0, 137, 144, 37, 144, 128, 8, 4,  
8, 8, 0, 8, 9, 139, 72, 11, 11, 128, 2, 184, 128, 72, 184, 0, 4, 0, 180, 152,  
187, 8, 0, 0, 137, 40, 137, 185, 176, 155, 64, 0, 0, 136, 176, 11, 8, 8, 8, 128,  
187, 187, 176, 136, 139, 11, 136, 187, 139, 152, 187, 176, 178, 73, 180, 8, 132, 11,  
153, 0,  
187, 64, 9, 139, 184, 155, 148, 72, 4, 187, 11, 11, 64, 0, 139, 11, 64, 128, 32, 187,  
75, 128, 128, 11, 155, 185, 132, 153, 0, 187, 144, 2, 64, 75, 11, 155, 64, 0, 185, 128,  
75, 148, 4, 187, 187, 138, 137, 153, 72, 153, 0, 153, 86, 242, 162, 155, 148, 153,  
137, 187,  
155, 180, 180, 68, 97, 155, 185, 148, 187, 185, 169, 75, 155, 180, 75, 187, 154, 137,  
137, 176,

180, 138, 132, 32, 72, 4, 68, 154, 169, 132, 40, 178, 4, 138, 172, 253, 221, 252, 170,  
152,  
144, 139, 176, 187, 68, 75, 176, 185, 0, 0, 4, 68, 180, 42, 82, 73, 137, 0, 8, 68,  
36, 185, 187, 152, 139, 187, 153, 176, 187, 155, 2, 148, 153, 153, 187, 187, 75, 11,  
153, 165,  
152, 8, 180, 136, 153, 155, 178, 153, 152, 153, 185, 43, 153, 186, 181, 169, 172,  
234, 153, 153,  
152, 156, 203, 43, 153, 146, 75, 185, 75, 155, 187, 75, 75, 153, 152, 180, 64, 11, 4,  
154,  
185, 187, 187, 185, 185, 187, 187, 187, 187, 185, 187, 144, 180, 187, 8, 148, 153,  
185, 201, 171,  
171, 4, 8, 139, 136, 0, 187, 128, 8, 128, 136, 0, 9, 128, 0, 128, 176, 11, 176, 9,  
187, 73, 139, 0, 128, 137, 4, 155, 136, 9, 0, 128, 136, 139, 137, 8, 176, 0, 128, 0,  
176, 8, 8, 187, 132, 0, 128, 11, 8, 128, 75, 128, 11, 64, 64, 156, 27, 0, 0, 0,  
0, 184, 0, 176, 132, 75, 0, 128, 128, 139, 0, 152, 136, 136, 0, 185, 64, 132, 195, 155,  
0, 137, 9, 8, 176, 8, 11, 11, 40, 128, 176, 155, 8, 139, 0, 136, 0, 128, 8, 187,  
68, 11, 8, 128, 185, 8, 136, 180, 176, 0, 4, 176, 166, 187, 176, 128, 184, 0, 136, 0,  
153, 185, 136, 185, 187, 128, 187, 137, 187, 176, 73, 11, 155, 184, 144, 4, 11, 180,  
153, 64,  
170, 132, 164, 132, 153, 68, 184, 0, 64, 184, 139, 153, 32, 64, 144, 176, 176, 187,  
153, 132,  
148, 194, 68, 180, 187, 176, 8, 153, 0, 0, 0, 180, 173, 197, 40, 148, 185, 185, 169,  
187,  
153, 187, 155, 137, 185, 9, 68, 176, 68, 155, 148, 139, 153, 4, 36, 185, 174, 250,  
152, 152,  
66, 149, 4, 75, 4, 73, 184, 68, 187, 148, 152, 67, 138, 218, 175, 221, 221, 252, 202,  
137,  
153, 41, 187, 2, 68, 180, 0, 8, 153, 68, 68, 0, 146, 154, 169, 153, 146, 64, 4, 68,  
146, 40, 155, 171, 8, 153, 152, 169, 180, 180, 187, 180, 184, 187, 155, 187, 187, 11,  
153, 185,  
137, 154, 177, 105, 153, 155, 185, 144, 10, 8, 155, 155, 153, 11, 185, 41, 169, 170,  
169, 153,

153, 154, 43, 75, 185, 153, 187, 186, 155, 75, 148, 185, 153, 180, 176, 180, 75, 176,  
9, 203,  
185, 153, 155, 185, 75, 43, 153, 73, 75, 187, 68, 187, 187, 75, 144, 155, 144, 155,  
153, 155,  
128, 0, 8, 0, 8, 11, 0, 8, 9, 187, 139, 128, 137, 128, 0, 0, 0, 8, 128, 136,  
75, 8, 176, 11, 8, 139, 9, 139, 0, 0, 0, 154, 152, 136, 128, 136, 184, 0, 128, 0,  
176, 0, 139, 185, 152, 136, 176, 11, 0, 0, 176, 136, 132, 130, 8, 128, 184, 0, 4, 64,  
136, 8, 176, 136, 128, 4, 136, 72, 8, 144, 0, 136, 8, 11, 0, 137, 64, 137, 138, 4,  
75, 139, 185, 8, 176, 0, 128, 136, 139, 9, 203, 146, 8, 8, 8, 75, 180, 32, 144, 184,  
139, 137, 132, 128, 0, 184, 137, 128, 176, 136, 187, 136, 136, 132, 152, 148, 153,  
152, 0, 176,  
185, 0, 75, 0, 137, 137, 128, 9, 0, 4, 186, 32, 153, 176, 0, 75, 153, 0, 0, 74,  
238, 201, 201, 64, 0, 184, 8, 176, 0, 155, 184, 92, 25, 4, 11, 4, 180, 128, 136, 0,  
152, 180, 176, 144, 72, 64, 138, 144, 64, 128, 64, 4, 186, 146, 187, 41, 41, 73, 185,  
136,  
155, 184, 187, 75, 187, 75, 180, 11, 187, 148, 187, 176, 132, 187, 43, 154, 215, 236,  
170, 155,  
75, 180, 132, 68, 75, 187, 155, 180, 155, 176, 68, 171, 68, 202, 207, 221, 221, 252,  
170, 153,  
136, 85, 139, 34, 64, 176, 187, 155, 34, 68, 4, 68, 154, 162, 202, 170, 196, 0, 11, 73,  
185, 168, 187, 137, 168, 152, 153, 214, 179, 203, 187, 68, 144, 187, 185, 187, 187,  
185, 185, 8,  
66, 152, 180, 187, 68, 187, 144, 0, 4, 12, 27, 187, 75, 187, 185, 180, 187, 153, 169,  
136,  
132, 11, 41, 43, 45, 25, 172, 187, 75, 187, 187, 27, 82, 148, 187, 11, 153, 155, 11,  
153,  
187, 153, 185, 187, 180, 188, 122, 187, 75, 187, 187, 187, 11, 9, 155, 187, 144, 139,  
187, 155,  
176, 0, 128, 4, 136, 11, 128, 128, 139, 128, 128, 184, 136, 128, 132, 72, 184, 41,  
139, 11,  
11, 0, 176, 187, 8, 136, 9, 8, 136, 130, 8, 174, 249, 137, 187, 185, 128, 0, 0, 0,  
176, 128, 9, 0, 0, 136, 0, 11, 0, 0, 64, 72, 181, 36, 0, 136, 68, 184, 0, 10,

194, 144, 137, 185, 128, 128, 185, 128, 176, 176, 136, 8, 184, 187, 8, 184, 0, 180, 4,  
176,  
144, 180, 185, 153, 11, 9, 128, 185, 0, 137, 58, 155, 128, 4, 0, 4, 75, 0, 184, 136,  
0, 187, 176, 128, 187, 128, 176, 8, 0, 8, 0, 139, 184, 187, 0, 185, 243, 43, 11, 8,  
11, 8, 0, 8, 136, 146, 144, 180, 144, 75, 180, 11, 139, 176, 4, 9, 98, 176, 73, 68,  
221, 169, 144, 36, 176, 11, 74, 52, 11, 8, 152, 162, 152, 11, 139, 187, 184, 187, 4,  
64,  
176, 155, 68, 176, 186, 76, 176, 153, 128, 11, 176, 64, 153, 153, 9, 187, 149, 75, 75,  
152,  
176, 187, 136, 187, 139, 0, 187, 139, 4, 187, 155, 41, 153, 184, 10, 152, 205, 250,  
152, 152,  
132, 180, 149, 116, 34, 185, 152, 75, 153, 180, 4, 155, 73, 37, 207, 221, 237, 252,  
170, 152,  
153, 36, 176, 68, 64, 176, 72, 176, 4, 0, 75, 185, 154, 162, 204, 154, 34, 0, 153, 170,  
73, 137, 41, 139, 153, 137, 184, 185, 185, 75, 187, 187, 11, 11, 185, 8, 176, 180,  
185, 41,  
153, 139, 155, 187, 153, 154, 187, 153, 132, 154, 75, 187, 178, 187, 187, 185, 187,  
155, 75, 11,  
64, 68, 148, 187, 185, 155, 153, 148, 187, 180, 73, 171, 250, 148, 187, 187, 187,  
180, 153, 154,  
153, 176, 185, 153, 155, 178, 201, 155, 187, 153, 187, 187, 187, 180, 155, 73, 187,  
75, 185, 145,  
72, 0, 128, 11, 128, 0, 187, 8, 0, 128, 8, 128, 128, 152, 139, 176, 128, 180, 176, 176,  
187, 64, 187, 4, 176, 64, 137, 176, 128, 187, 184, 206, 250, 136, 187, 152, 128, 136,  
8, 128,  
64, 0, 11, 8, 0, 11, 11, 11, 8, 128, 128, 8, 149, 169, 0, 139, 11, 176, 8, 137,  
169, 187, 136, 8, 152, 8, 9, 64, 0, 0, 9, 128, 128, 128, 72, 136, 8, 128, 139, 8,  
144, 187, 137, 155, 0, 187, 8, 0, 184, 4, 152, 128, 8, 0, 8, 128, 187, 8, 187, 176,  
178, 153, 9, 8, 128, 0, 8, 139, 176, 137, 176, 72, 0, 139, 155, 11, 253, 144, 187, 155,  
144, 64, 176, 0, 128, 184, 139, 2, 155, 0, 0, 11, 187, 64, 11, 187, 89, 139, 153, 68,  
154, 137, 144, 0, 187, 184, 187, 171, 187, 0, 187, 66, 139, 139, 64, 187, 180, 187,  
11, 4,

0, 139, 9, 136, 153, 207, 34, 187, 155, 139, 176, 0, 73, 153, 146, 148, 153, 139, 184,  
132,  
75, 72, 155, 185, 176, 152, 187, 75, 139, 180, 187, 41, 187, 137, 152, 73, 170, 170,  
152, 137,  
139, 187, 66, 18, 241, 184, 152, 73, 185, 132, 66, 25, 153, 154, 207, 238, 237, 220,  
170, 137,  
185, 75, 4, 68, 9, 64, 75, 187, 64, 68, 73, 152, 153, 37, 41, 42, 162, 75, 9, 41,  
152, 132, 153, 139, 137, 139, 185, 75, 185, 148, 11, 11, 4, 187, 187, 187, 187, 180,  
186, 57,  
152, 0, 139, 155, 185, 187, 73, 155, 180, 187, 180, 43, 178, 84, 185, 185, 187, 155,  
187, 187,  
11, 187, 148, 187, 180, 155, 155, 187, 187, 75, 73, 187, 154, 105, 75, 187, 187, 64,  
41, 185,  
252, 155, 75, 187, 171, 153, 43, 187, 187, 187, 176, 187, 176, 66, 68, 73, 68, 180,  
155, 156,  
185, 0, 8, 0, 8, 0, 0, 11, 152, 138, 72, 187, 0, 139, 137, 0, 187, 176, 187, 11,  
11, 128, 75, 176, 0, 8, 176, 11, 128, 0, 137, 170, 168, 139, 176, 176, 0, 137, 8, 128,  
187, 11, 148, 176, 136, 176, 176, 11, 139, 0, 184, 136, 184, 64, 184, 8, 0, 176, 0,  
138,  
146, 8, 11, 136, 0, 8, 128, 8, 0, 137, 0, 136, 0, 72, 4, 4, 136, 8, 136, 0,  
11, 128, 8, 139, 9, 128, 139, 0, 8, 68, 184, 128, 40, 128, 144, 0, 11, 11, 0, 128,  
137, 137, 72, 139, 128, 0, 11, 185, 0, 8, 128, 128, 11, 148, 136, 0, 153, 152, 68, 8,  
176, 11, 0, 8, 184, 11, 139, 153, 11, 11, 176, 152, 155, 11, 128, 0, 187, 72, 152, 187,  
152, 136, 4, 180, 0, 180, 11, 180, 187, 11, 11, 0, 136, 180, 0, 136, 176, 176, 75, 75,  
139, 8, 66, 187, 75, 4, 73, 180, 187, 187, 176, 68, 178, 176, 34, 185, 187, 180, 180,  
178,  
100, 73, 184, 132, 187, 43, 160, 75, 155, 152, 155, 148, 42, 205, 169, 4, 137, 152,  
153, 139,  
155, 72, 139, 153, 187, 139, 136, 137, 187, 187, 180, 162, 169, 149, 207, 238, 237,  
252, 170, 137,  
180, 43, 73, 43, 180, 185, 75, 176, 66, 68, 155, 187, 154, 74, 170, 153, 153, 148, 34,  
187,

137, 139, 152, 176, 152, 11, 185, 139, 152, 139, 68, 185, 11, 187, 187, 185, 185,  
176, 185, 201,  
152, 128, 128, 11, 187, 11, 185, 75, 185, 155, 75, 249, 73, 43, 11, 75, 187, 180, 11,  
155,  
0, 0, 66, 153, 187, 187, 187, 155, 187, 155, 187, 187, 187, 153, 153, 187, 187, 64,  
187, 185,  
237, 185, 171, 176, 75, 187, 180, 187, 187, 187, 187, 187, 187, 180, 73, 187, 68, 68, 185,  
132, 156,  
139, 9, 128, 128, 11, 11, 0, 11, 187, 141, 91, 187, 8, 176, 128, 128, 11, 176, 11, 187,  
176, 187, 176, 11, 8, 170, 11, 187, 0, 11, 184, 136, 137, 0, 0, 0, 0, 128, 136, 0,  
139, 8, 152, 139, 41, 8, 8, 128, 187, 187, 0, 180, 139, 184, 0, 8, 4, 176, 0, 146,  
4, 11, 0, 0, 8, 128, 0, 8, 11, 136, 8, 9, 128, 128, 8, 11, 128, 155, 180, 0,  
128, 11, 128, 137, 0, 128, 187, 68, 4, 11, 64, 64, 185, 11, 180, 0, 0, 0, 0, 128,  
128, 139, 0, 132, 187, 176, 180, 180, 180, 8, 136, 8, 64, 180, 128, 0, 11, 128, 32,  
152,  
152, 8, 184, 139, 8, 176, 11, 72, 128, 176, 9, 136, 139, 187, 187, 144, 66, 176, 153,  
184,  
176, 187, 8, 139, 0, 68, 11, 73, 155, 75, 187, 0, 43, 34, 73, 153, 11, 187, 176, 153,  
75, 8, 198, 72, 75, 9, 73, 170, 187, 4, 8, 4, 73, 4, 144, 68, 176, 176, 11, 178,  
194, 184, 180, 170, 68, 185, 187, 11, 136, 130, 132, 153, 173, 127, 32, 73, 153, 168,  
187, 176,  
75, 137, 185, 185, 187, 153, 187, 187, 180, 132, 128, 191, 25, 154, 253, 238, 237,  
252, 170, 139,  
155, 132, 187, 152, 136, 187, 176, 180, 144, 130, 169, 4, 153, 41, 2, 89, 152, 41, 66,  
185,  
72, 128, 136, 72, 155, 187, 187, 149, 88, 180, 155, 43, 176, 181, 155, 185, 75, 11,  
153, 218,  
152, 152, 4, 0, 180, 139, 180, 68, 180, 155, 0, 187, 180, 43, 155, 155, 187, 180, 75,  
187,  
187, 187, 185, 68, 155, 153, 187, 153, 187, 153, 75, 75, 187, 187, 149, 75, 187, 187,  
187, 180,  
170, 155, 171, 187, 75, 155, 187, 155, 187, 187, 187, 187, 187, 187, 185, 187, 148, 73,  
152, 11, 42,

136, 11, 8, 11, 0, 139, 176, 8, 0, 187, 11, 8, 0, 8, 0, 139, 75, 128, 187, 176,  
0, 11, 11, 176, 0, 42, 0, 0, 0, 187, 0, 185, 187, 8, 187, 176, 139, 0, 8, 0,  
11, 152, 176, 187, 57, 176, 137, 136, 187, 176, 11, 0, 136, 0, 0, 9, 0, 11, 139, 178,  
176, 4, 187, 0, 128, 4, 8, 4, 0, 152, 128, 128, 128, 0, 128, 0, 139, 139, 0, 11,  
8, 0, 11, 0, 8, 169, 128, 68, 68, 187, 11, 84, 176, 187, 136, 144, 187, 187, 176, 128,  
72, 0, 0, 187, 128, 4, 0, 144, 64, 187, 191, 43, 0, 139, 0, 0, 0, 178, 16, 184,  
136, 0, 184, 0, 128, 187, 184, 185, 75, 132, 72, 187, 176, 0, 128, 139, 162, 176, 137,  
139,  
155, 187, 153, 73, 11, 176, 176, 187, 185, 75, 64, 75, 153, 148, 75, 4, 184, 176, 2,  
25,  
155, 8, 4, 139, 176, 0, 185, 53, 184, 176, 11, 153, 176, 180, 4, 2, 9, 187, 155, 4,  
68, 152, 75, 193, 176, 155, 11, 75, 136, 2, 155, 146, 191, 234, 64, 9, 152, 153, 4, 11,  
184, 137, 35, 187, 146, 73, 64, 68, 176, 187, 152, 11, 154, 42, 222, 238, 237, 202,  
169, 137,  
178, 180, 11, 184, 137, 176, 4, 187, 155, 15, 96, 73, 153, 9, 146, 34, 64, 74, 73, 11,  
137, 152, 187, 160, 153, 9, 155, 181, 4, 184, 11, 171, 187, 185, 75, 68, 128, 185,  
136, 153,  
136, 159, 43, 139, 64, 139, 148, 75, 75, 187, 187, 144, 75, 148, 187, 180, 11, 180,  
11, 155,  
187, 155, 11, 146, 201, 185, 187, 187, 153, 185, 155, 185, 187, 75, 246, 153, 171,  
187, 187, 187,  
153, 153, 187, 4, 11, 180, 185, 68, 155, 180, 187, 187, 187, 155, 185, 153, 187, 187,  
139, 72,  
11, 9, 0, 8, 136, 187, 0, 8, 136, 64, 64, 176, 155, 0, 185, 128, 187, 11, 11, 176,  
0, 64, 11, 0, 8, 9, 8, 64, 9, 0, 0, 144, 184, 8, 0, 64, 64, 128, 18, 75,  
8, 8, 139, 64, 155, 9, 185, 128, 136, 139, 0, 137, 152, 11, 0, 184, 176, 8, 64, 0,  
0, 130, 152, 8, 152, 8, 176, 144, 8, 144, 8, 0, 0, 8, 128, 137, 11, 176, 11, 128,  
8, 11, 0, 187, 0, 4, 176, 187, 180, 136, 8, 153, 144, 187, 0, 148, 11, 4, 8, 0,  
0, 0, 68, 139, 162, 180, 0, 144, 128, 11, 154, 41, 184, 8, 0, 136, 11, 181, 75, 184,  
155, 176, 8, 0, 9, 72, 187, 148, 176, 11, 8, 176, 144, 0, 64, 176, 144, 176, 187, 11,  
187, 185, 152, 177, 136, 184, 0, 0, 4, 187, 75, 187, 154, 155, 180, 8, 187, 36, 2, 200,  
9, 187, 184, 144, 136, 11, 68, 187, 187, 0, 9, 144, 68, 11, 0, 73, 144, 187, 187, 187,



9, 152, 75, 185, 144, 180, 144, 187, 132, 155, 187, 68, 9, 162, 43, 176, 187, 139, 64,  
73,  
187, 184, 154, 168, 187, 41, 187, 64, 187, 8, 176, 73, 146, 156, 254, 222, 223, 202,  
170, 153,  
172, 180, 75, 176, 11, 185, 155, 8, 187, 186, 68, 162, 204, 169, 165, 44, 64, 68, 187,  
68,  
44, 169, 144, 152, 152, 176, 0, 64, 185, 153, 153, 187, 187, 153, 153, 75, 187, 185,  
184, 153,  
128, 12, 42, 136, 11, 139, 186, 72, 180, 11, 137, 139, 155, 153, 187, 75, 187, 153,  
148, 164,  
185, 155, 187, 91, 37, 187, 75, 187, 185, 187, 27, 66, 73, 187, 34, 170, 84, 155, 185,  
185,  
187, 73, 187, 187, 75, 178, 75, 180, 73, 155, 180, 187, 187, 75, 180, 187, 187, 155,  
4, 11,  
137, 0, 0, 72, 137, 139, 128, 146, 144, 132, 136, 176, 72, 128, 136, 180, 0, 4, 64,  
187,  
0, 0, 11, 0, 8, 8, 4, 4, 8, 9, 8, 184, 164, 139, 187, 0, 64, 0, 192, 128,  
136, 9, 136, 4, 155, 41, 11, 136, 136, 176, 176, 132, 8, 136, 136, 8, 136, 176, 0, 184,  
0, 136, 128, 8, 11, 187, 177, 136, 184, 4, 136, 134, 128, 9, 144, 72, 4, 0, 0, 136,  
2, 0, 128, 11, 4, 0, 8, 187, 11, 11, 139, 176, 64, 8, 180, 180, 139, 176, 185, 0,  
8, 64, 187, 138, 125, 144, 0, 137, 0, 136, 176, 11, 8, 4, 8, 128, 0, 0, 152, 0,  
137, 155, 11, 75, 0, 144, 132, 187, 176, 130, 171, 66, 0, 176, 152, 136, 11, 32, 64,  
187,  
128, 180, 184, 150, 180, 11, 0, 0, 11, 64, 75, 139, 139, 139, 155, 139, 75, 64, 146,  
184,  
4, 184, 187, 11, 136, 73, 73, 139, 138, 64, 155, 185, 4, 68, 11, 184, 242, 184, 139,  
75,  
11, 155, 138, 155, 187, 75, 184, 176, 11, 72, 75, 187, 68, 154, 152, 180, 146, 144,  
11, 138,  
187, 176, 180, 178, 164, 153, 180, 176, 144, 139, 11, 4, 73, 170, 253, 253, 223, 202,  
205, 154,  
173, 41, 176, 64, 187, 11, 8, 75, 73, 132, 43, 185, 247, 250, 172, 164, 68, 80, 75,  
154,

215, 250, 152, 136, 9, 4, 187, 8, 185, 139, 155, 184, 41, 169, 187, 176, 187, 176, 0,  
9,  
137, 130, 73, 153, 169, 152, 15, 40, 137, 144, 140, 201, 139, 187, 153, 187, 187,  
153, 187, 187,  
187, 169, 73, 229, 153, 41, 187, 11, 41, 154, 219, 153, 41, 68, 75, 187, 68, 187, 180,  
75,  
148, 75, 176, 64, 180, 173, 165, 180, 43, 187, 180, 68, 186, 75, 187, 187, 185, 155,  
11, 187,  
136, 0, 0, 11, 136, 139, 176, 128, 136, 139, 185, 139, 187, 4, 136, 128, 8, 187, 184,  
176,  
187, 72, 75, 0, 0, 8, 0, 9, 11, 4, 0, 4, 187, 184, 11, 176, 0, 9, 137, 136,  
128, 0, 144, 0, 2, 187, 0, 8, 8, 128, 0, 132, 139, 139, 148, 152, 136, 176, 11, 0,  
0, 9, 139, 136, 0, 187, 79, 153, 185, 0, 0, 10, 136, 9, 148, 144, 0, 11, 184, 8,  
0, 8, 185, 128, 0, 70, 132, 0, 0, 187, 139, 187, 0, 11, 11, 11, 136, 72, 184, 180,  
8, 180, 184, 138, 252, 9, 11, 187, 155, 136, 139, 0, 11, 11, 136, 139, 11, 9, 128, 185,  
139, 175, 32, 4, 4, 128, 187, 136, 176, 43, 137, 4, 0, 187, 128, 11, 4, 176, 9, 176,  
176, 0, 184, 153, 136, 8, 184, 4, 155, 11, 11, 136, 137, 187, 168, 187, 0, 4, 180, 137,  
187, 136, 8, 176, 185, 128, 185, 176, 2, 41, 136, 176, 75, 66, 11, 153, 180, 155, 4,  
64,  
4, 187, 66, 155, 187, 0, 66, 73, 4, 144, 185, 144, 4, 72, 144, 9, 73, 136, 8, 187,  
0, 180, 68, 185, 187, 187, 147, 187, 11, 66, 148, 64, 153, 44, 255, 221, 220, 170,  
170, 152,  
148, 84, 155, 184, 75, 187, 11, 75, 187, 130, 218, 138, 247, 218, 130, 34, 68, 73,  
152, 137,  
253, 202, 136, 187, 153, 0, 176, 185, 136, 187, 153, 155, 180, 155, 187, 180, 68,  
180, 187, 176,  
136, 152, 134, 202, 127, 41, 144, 153, 136, 8, 153, 200, 11, 187, 75, 75, 187, 185,  
187, 180,  
185, 153, 187, 153, 153, 185, 153, 185, 188, 105, 153, 153, 187, 187, 187, 185, 155,  
73, 153, 180,  
68, 148, 68, 11, 4, 178, 68, 153, 155, 187, 180, 187, 187, 187, 187, 180, 155, 176,  
187, 66,  
0, 0, 0, 8, 8, 8, 187, 0, 184, 132, 8, 184, 4, 128, 11, 176, 8, 176, 176, 176,

9, 128, 187, 0, 11, 128, 137, 176, 8, 176, 0, 180, 64, 11, 0, 176, 139, 137, 128, 137,  
128, 128, 136, 144, 155, 176, 128, 0, 75, 8, 0, 11, 68, 68, 155, 90, 176, 11, 139, 0,  
0, 11, 68, 4, 0, 187, 2, 221, 75, 176, 0, 176, 128, 0, 139, 0, 0, 187, 0, 8,  
8, 4, 8, 0, 185, 188, 64, 136, 184, 184, 136, 148, 9, 4, 132, 68, 139, 139, 152, 0,  
11, 32, 187, 4, 153, 128, 66, 153, 11, 176, 0, 68, 11, 0, 136, 4, 75, 187, 11, 137,  
144, 154, 75, 68, 75, 139, 8, 136, 187, 153, 152, 176, 4, 0, 4, 75, 178, 180, 11, 152,  
187, 75, 185, 152, 187, 144, 128, 144, 187, 169, 187, 155, 180, 11, 139, 155, 75, 11,  
187, 188,  
152, 75, 137, 176, 130, 0, 155, 128, 180, 66, 184, 203, 139, 5, 152, 139, 180, 176, 8,  
139,  
73, 4, 68, 34, 75, 176, 180, 155, 138, 59, 132, 132, 176, 176, 176, 187, 5, 144, 144,  
0,  
144, 11, 139, 73, 0, 11, 11, 0, 4, 186, 64, 73, 2, 172, 255, 221, 252, 170, 152, 136,  
130, 185, 187, 137, 36, 176, 0, 68, 180, 136, 154, 130, 172, 169, 146, 18, 0, 36, 153,  
73,  
154, 168, 146, 152, 148, 75, 8, 185, 184, 64, 171, 2, 75, 153, 0, 187, 187, 178, 187,  
176,  
187, 128, 153, 154, 82, 152, 4, 153, 153, 9, 137, 171, 153, 75, 153, 185, 187, 187,  
187, 187,  
68, 75, 187, 153, 155, 74, 156, 251, 180, 153, 155, 172, 152, 176, 68, 187, 155, 185,  
68, 180,  
68, 185, 187, 8, 176, 68, 95, 155, 187, 187, 187, 187, 73, 75, 11, 144, 153, 75, 155,  
155,  
8, 0, 136, 11, 137, 0, 0, 137, 180, 128, 11, 11, 0, 75, 187, 128, 178, 136, 139, 139,  
128, 136, 11, 8, 144, 128, 176, 11, 187, 176, 11, 155, 176, 184, 11, 11, 144, 139, 0,  
187,  
11, 11, 11, 64, 8, 184, 0, 184, 11, 8, 136, 11, 75, 166, 244, 178, 187, 139, 187, 0,  
176, 8, 73, 11, 64, 0, 176, 153, 0, 176, 128, 128, 11, 0, 0, 139, 4, 0, 8, 128,  
8, 153, 0, 0, 184, 0, 0, 11, 176, 0, 9, 11, 8, 4, 4, 187, 184, 139, 144, 139,  
0, 128, 75, 184, 187, 9, 170, 152, 136, 2, 176, 0, 137, 136, 187, 176, 180, 185, 75,  
137,  
148, 73, 73, 0, 139, 11, 0, 187, 184, 137, 187, 75, 144, 11, 2, 187, 182, 171, 155, 75,

155, 187, 136, 128, 9, 11, 75, 155, 0, 184, 187, 187, 187, 187, 187, 152, 187, 184,  
130, 184,  
8, 136, 137, 128, 130, 180, 148, 180, 8, 187, 128, 34, 137, 180, 66, 155, 187, 11, 9,  
73,  
187, 37, 11, 185, 34, 180, 176, 153, 44, 210, 4, 155, 176, 180, 68, 11, 153, 75, 32, 4,  
73, 75, 128, 139, 148, 0, 72, 144, 11, 73, 152, 75, 146, 204, 255, 255, 252, 170, 137,  
136,  
187, 130, 75, 139, 36, 11, 0, 68, 168, 180, 187, 130, 136, 169, 146, 100, 66, 36, 75,  
180,  
153, 152, 137, 88, 153, 0, 0, 185, 155, 75, 178, 9, 187, 152, 11, 97, 187, 178, 176,  
176,  
184, 0, 136, 155, 176, 185, 185, 128, 152, 153, 9, 155, 85, 64, 187, 187, 153, 153,  
187, 187,  
187, 187, 155, 187, 187, 174, 220, 201, 180, 75, 185, 153, 153, 180, 73, 185, 155,  
187, 180, 82,  
155, 176, 187, 185, 187, 187, 73, 176, 176, 187, 153, 155, 185, 73, 155, 187, 187,  
187, 25, 186,  
0, 11, 187, 11, 0, 2, 72, 139, 176, 0, 187, 187, 0, 184, 187, 139, 187, 128, 128, 136,  
8, 139, 136, 136, 153, 187, 128, 0, 128, 75, 8, 0, 187, 136, 176, 187, 8, 128, 184,  
187,  
8, 9, 0, 184, 128, 11, 2, 184, 11, 8, 139, 136, 43, 174, 114, 11, 0, 176, 176, 139,  
0, 0, 139, 176, 0, 184, 176, 0, 0, 0, 136, 11, 9, 136, 4, 11, 0, 0, 8, 0,  
139, 176, 0, 8, 68, 185, 8, 4, 176, 152, 8, 152, 139, 187, 185, 128, 176, 187, 0, 11,  
9, 155, 184, 187, 187, 185, 184, 153, 128, 68, 184, 11, 146, 43, 8, 176, 176, 11, 75,  
152,  
41, 153, 128, 75, 184, 0, 0, 11, 185, 75, 128, 64, 187, 11, 64, 11, 79, 249, 187, 148,  
11, 75, 187, 11, 11, 9, 75, 136, 187, 137, 187, 184, 187, 185, 4, 139, 128, 11, 137,  
185,  
11, 155, 185, 187, 157, 41, 187, 185, 139, 2, 176, 144, 180, 11, 146, 176, 0, 187,  
180, 153,  
187, 75, 176, 144, 178, 178, 187, 137, 68, 41, 187, 75, 187, 2, 75, 75, 11, 73, 34, 66,  
187, 9, 152, 11, 11, 68, 69, 68, 11, 184, 176, 187, 153, 172, 255, 255, 202, 168, 137,  
187,

64, 75, 155, 75, 36, 75, 0, 68, 75, 187, 184, 68, 146, 137, 153, 68, 0, 75, 176, 184,  
168, 153, 155, 137, 184, 64, 8, 73, 144, 187, 180, 0, 187, 128, 153, 85, 148, 82, 187,  
185,  
185, 139, 9, 187, 128, 150, 185, 154, 169, 209, 185, 9, 146, 187, 0, 180, 186, 201,  
75, 187,  
187, 75, 187, 187, 185, 157, 217, 155, 153, 155, 187, 187, 185, 191, 196, 153, 187,  
187, 148, 66,  
43, 11, 187, 8, 176, 187, 144, 187, 153, 176, 187, 187, 187, 185, 187, 187, 187, 187,  
89, 154,  
9, 0, 176, 8, 0, 148, 0, 176, 11, 180, 0, 0, 0, 8, 136, 176, 11, 8, 184, 8,  
8, 4, 4, 162, 136, 9, 32, 0, 0, 246, 72, 9, 128, 128, 11, 11, 136, 184, 155, 0,  
0, 155, 0, 137, 155, 2, 65, 0, 11, 180, 136, 139, 184, 166, 58, 75, 8, 128, 187, 0,  
0, 128, 136, 128, 8, 11, 184, 0, 136, 0, 139, 11, 8, 0, 0, 187, 0, 0, 128, 128,  
9, 37, 176, 0, 0, 184, 8, 176, 75, 184, 136, 128, 10, 176, 75, 187, 139, 11, 136, 128,  
187, 137, 187, 187, 187, 184, 75, 128, 128, 187, 132, 73, 172, 34, 187, 0, 128, 4, 66,  
185,  
154, 164, 164, 184, 187, 176, 68, 176, 187, 0, 128, 64, 0, 187, 144, 72, 174, 234,  
139, 4,  
75, 180, 176, 148, 4, 176, 139, 128, 187, 146, 176, 136, 0, 68, 187, 11, 139, 194, 73,  
176,  
8, 72, 187, 176, 178, 11, 75, 72, 137, 187, 11, 176, 66, 9, 164, 144, 68, 4, 11, 180,  
187, 180, 176, 11, 4, 187, 75, 187, 68, 41, 2, 144, 68, 185, 75, 139, 75, 9, 4, 91,  
0, 64, 184, 180, 132, 180, 64, 187, 73, 9, 144, 9, 153, 175, 252, 204, 202, 169, 137,  
139,  
180, 187, 187, 0, 148, 187, 180, 4, 187, 176, 187, 68, 72, 153, 132, 64, 75, 185, 11,  
187,  
136, 136, 153, 9, 136, 0, 128, 148, 75, 187, 0, 11, 155, 139, 69, 80, 185, 43, 187,  
187,  
187, 144, 0, 187, 187, 68, 176, 17, 244, 153, 75, 155, 148, 185, 155, 139, 155, 153,  
153, 75,  
187, 185, 176, 11, 187, 154, 153, 139, 185, 75, 75, 187, 73, 191, 105, 75, 187, 187,  
36, 153,

154, 75, 75, 187, 11, 153, 184, 176, 153, 11, 155, 149, 8, 180, 187, 187, 73, 187,  
185, 186,  
2, 148, 11, 136, 8, 178, 75, 0, 8, 176, 4, 176, 0, 8, 8, 185, 184, 8, 176, 184,  
128, 11, 8, 136, 184, 0, 0, 139, 139, 160, 0, 128, 202, 8, 11, 160, 11, 137, 139, 72,  
8, 0, 8, 0, 136, 9, 176, 128, 137, 185, 139, 139, 136, 136, 154, 88, 152, 187, 11, 176,  
8, 139, 11, 136, 0, 0, 0, 136, 144, 0, 128, 144, 11, 0, 11, 0, 8, 11, 184, 11,  
0, 148, 152, 136, 11, 176, 9, 128, 11, 153, 176, 0, 9, 4, 8, 176, 176, 176, 0, 128,  
8, 184, 132, 136, 8, 176, 11, 0, 136, 155, 64, 8, 175, 202, 0, 75, 176, 0, 64, 185,  
73, 153, 178, 152, 176, 0, 66, 0, 11, 2, 75, 187, 137, 8, 132, 11, 156, 200, 144, 148,  
152, 180, 43, 128, 185, 155, 136, 184, 187, 64, 187, 137, 187, 84, 155, 185, 137,  
236, 36, 36,  
8, 2, 144, 72, 176, 32, 180, 187, 176, 176, 0, 11, 68, 0, 43, 132, 2, 68, 75, 155,  
66, 9, 176, 68, 75, 148, 4, 180, 36, 132, 64, 34, 36, 184, 68, 180, 68, 68, 66, 64,  
187, 178, 11, 75, 128, 155, 187, 73, 9, 185, 75, 185, 154, 172, 252, 204, 202, 153,  
136, 184,  
155, 185, 153, 0, 4, 11, 0, 176, 68, 180, 176, 66, 2, 75, 0, 68, 0, 4, 0, 0,  
185, 132, 73, 184, 153, 8, 75, 73, 146, 8, 176, 11, 43, 11, 4, 36, 187, 43, 187, 153,  
185, 75, 187, 185, 187, 187, 144, 138, 36, 155, 176, 180, 153, 64, 185, 155, 11, 187,  
155, 153,  
155, 180, 155, 11, 185, 153, 153, 139, 68, 185, 0, 187, 73, 154, 153, 75, 187, 187,  
187, 185,  
149, 66, 43, 11, 187, 185, 144, 176, 187, 187, 75, 86, 155, 155, 185, 187, 153, 11,  
155, 180,  
73, 132, 139, 128, 9, 1, 43, 0, 184, 11, 4, 75, 11, 11, 8, 139, 187, 4, 0, 0,  
128, 11, 0, 128, 8, 68, 139, 128, 185, 128, 0, 75, 252, 0, 8, 8, 155, 184, 128, 0,  
0, 155, 8, 0, 128, 0, 176, 0, 136, 11, 132, 0, 75, 4, 44, 169, 136, 176, 11, 176,  
0, 4, 136, 128, 128, 176, 184, 176, 184, 8, 9, 84, 176, 0, 136, 0, 128, 0, 128, 0,  
0, 137, 155, 176, 185, 0, 184, 184, 180, 184, 152, 0, 136, 128, 136, 0, 185, 136, 0, 0,  
137, 137, 136, 176, 187, 128, 8, 8, 148, 9, 0, 9, 148, 163, 64, 136, 136, 0, 72, 148,  
73, 137, 157, 27, 11, 185, 180, 4, 186, 245, 73, 144, 128, 144, 180, 132, 154, 249,  
185, 187,  
179, 68, 4, 64, 64, 187, 41, 8, 187, 137, 139, 40, 187, 139, 178, 168, 75, 36, 64, 34,  
8, 1, 164, 9, 9, 176, 153, 152, 185, 75, 4, 2, 73, 185, 122, 128, 73, 9, 75, 187,

128, 43, 0, 75, 180, 187, 187, 4, 36, 180, 185, 84, 4, 146, 180, 2, 64, 187, 68, 11,  
185, 11, 9, 155, 180, 9, 64, 64, 153, 184, 155, 72, 153, 175, 252, 252, 202, 169, 168,  
68,  
148, 187, 133, 64, 11, 0, 75, 4, 4, 155, 8, 195, 66, 180, 75, 0, 4, 64, 64, 73,  
180, 184, 68, 185, 145, 164, 4, 155, 180, 4, 11, 148, 36, 73, 180, 75, 187, 187, 185,  
185,  
187, 180, 73, 187, 176, 11, 187, 148, 73, 148, 203, 187, 187, 187, 187, 148, 180,  
187, 187, 153,  
152, 152, 139, 75, 68, 63, 153, 144, 68, 187, 185, 187, 153, 185, 176, 185, 187, 187,  
187, 180,  
185, 187, 180, 185, 187, 9, 187, 180, 187, 11, 75, 153, 176, 176, 144, 176, 153, 187,  
185, 156,  
144, 4, 128, 75, 136, 9, 184, 4, 75, 64, 184, 11, 144, 139, 136, 128, 128, 128, 176, 8,  
128, 0, 184, 0, 0, 11, 8, 137, 136, 185, 128, 136, 176, 139, 152, 0, 11, 0, 132, 128,  
128, 128, 0, 176, 0, 184, 8, 0, 0, 0, 75, 9, 184, 11, 152, 146, 75, 139, 0, 0,  
184, 8, 136, 187, 128, 8, 176, 132, 144, 176, 10, 57, 0, 40, 139, 0, 8, 176, 8, 128,  
0, 184, 168, 9, 136, 136, 0, 11, 4, 184, 8, 8, 176, 64, 8, 75, 176, 153, 152, 0,  
0, 128, 9, 0, 0, 136, 11, 128, 4, 152, 128, 0, 137, 191, 176, 137, 176, 0, 0, 64,  
0, 184, 75, 144, 4, 176, 11, 0, 176, 36, 0, 11, 41, 4, 72, 144, 74, 169, 184, 176,  
0, 0, 69, 176, 155, 180, 148, 176, 155, 176, 11, 11, 128, 128, 134, 88, 75, 187, 184,  
32,  
8, 75, 139, 139, 180, 0, 137, 152, 152, 176, 153, 176, 176, 185, 148, 152, 153, 137,  
32, 144,  
137, 155, 68, 178, 64, 4, 75, 40, 0, 0, 136, 73, 180, 155, 36, 185, 144, 11, 4, 185,  
178, 0, 9, 128, 148, 72, 180, 73, 132, 137, 148, 153, 41, 175, 204, 204, 170, 154,  
152, 72,  
187, 187, 187, 176, 0, 11, 184, 73, 152, 187, 11, 22, 68, 75, 0, 68, 0, 0, 0, 11,  
75, 40, 176, 187, 141, 53, 148, 0, 68, 68, 177, 171, 75, 75, 153, 176, 144, 185, 155,  
153,  
180, 185, 164, 180, 176, 144, 11, 180, 153, 155, 155, 153, 144, 185, 180, 176, 4,  
155, 75, 186,  
153, 152, 187, 11, 75, 202, 155, 11, 187, 155, 66, 187, 154, 187, 181, 153, 185, 187,  
178, 41,

36, 70, 212, 187, 36, 79, 91, 153, 73, 187, 11, 187, 11, 187, 68, 187, 194, 187, 155,  
180,  
144, 176, 0, 9, 152, 8, 136, 9, 36, 64, 176, 0, 128, 0, 8, 136, 0, 155, 128, 0,  
128, 128, 128, 11, 139, 75, 11, 136, 136, 132, 152, 11, 136, 184, 184, 9, 139, 8, 9, 0,  
8, 8, 155, 8, 139, 176, 4, 176, 155, 180, 184, 36, 8, 176, 176, 136, 184, 176, 136, 0,  
8, 0, 8, 4, 0, 176, 128, 0, 128, 11, 8, 185, 0, 84, 176, 8, 128, 0, 128, 128,  
139, 152, 128, 0, 9, 152, 128, 185, 0, 176, 0, 184, 187, 9, 184, 152, 8, 137, 137, 8,  
8, 155, 11, 128, 8, 136, 136, 0, 4, 9, 0, 176, 176, 129, 187, 139, 185, 136, 133, 43,  
184, 75, 144, 130, 75, 72, 73, 32, 176, 185, 152, 128, 11, 4, 132, 0, 128, 75, 132, 0,  
73, 0, 178, 4, 176, 187, 184, 128, 128, 0, 128, 184, 0, 153, 75, 152, 187, 0, 176, 176,  
64, 184, 11, 176, 9, 9, 180, 191, 18, 148, 0, 176, 176, 139, 176, 128, 73, 154, 43, 41,  
64, 176, 68, 75, 75, 68, 66, 113, 32, 75, 43, 148, 11, 4, 68, 11, 155, 0, 4, 176,  
148, 0, 180, 187, 9, 155, 136, 136, 144, 184, 184, 153, 203, 159, 255, 204, 170, 136,  
136, 152,  
11, 11, 187, 0, 132, 187, 176, 66, 185, 184, 73, 68, 169, 144, 184, 0, 0, 144, 4, 180,  
9, 82, 176, 153, 154, 18, 0, 187, 4, 0, 73, 68, 4, 190, 89, 187, 75, 187, 184, 180,  
148, 75, 148, 68, 11, 154, 132, 187, 187, 187, 148, 0, 187, 11, 68, 73, 155, 64, 187,  
155,  
207, 155, 152, 11, 178, 73, 148, 185, 155, 181, 187, 187, 153, 187, 167, 155, 185,  
187, 180, 34,  
187, 74, 84, 178, 98, 185, 164, 154, 36, 180, 187, 187, 187, 187, 187, 8, 169, 176,  
176, 187,  
152, 139, 144, 136, 128, 136, 176, 9, 36, 11, 72, 187, 0, 64, 137, 137, 128, 11, 11, 0,  
0, 4, 128, 64, 136, 176, 0, 128, 11, 128, 176, 75, 0, 9, 8, 8, 11, 11, 184, 0,  
185, 185, 128, 139, 0, 68, 185, 128, 144, 176, 139, 8, 0, 187, 187, 180, 8, 139, 152,  
0,  
11, 4, 128, 11, 136, 8, 128, 128, 4, 11, 128, 0, 8, 136, 176, 176, 128, 0, 0, 4,  
11, 176, 152, 0, 64, 128, 176, 187, 4, 0, 75, 11, 64, 184, 176, 8, 0, 139, 11, 64,  
136, 68, 176, 8, 187, 187, 73, 180, 32, 77, 202, 137, 176, 138, 75, 187, 0, 0, 186,  
185,  
136, 144, 176, 153, 176, 11, 155, 73, 180, 139, 176, 139, 97, 40, 128, 187, 180, 136,  
137, 154,



64, 8, 64, 184, 139, 187, 139, 75, 180, 187, 186, 136, 11, 8, 136, 187, 75, 184, 34,  
187,  
11, 128, 180, 64, 4, 176, 64, 186, 171, 68, 152, 187, 9, 178, 187, 75, 64, 137, 153,  
185,  
152, 176, 153, 75, 64, 75, 188, 237, 146, 155, 184, 4, 75, 0, 11, 11, 42, 144, 66, 180,  
148, 4, 68, 11, 11, 73, 144, 90, 180, 0, 144, 180, 43, 175, 207, 202, 169, 153, 152,  
139,  
11, 155, 184, 64, 4, 0, 137, 68, 75, 64, 2, 144, 4, 176, 180, 64, 11, 187, 0, 68,  
146, 223, 187, 155, 185, 187, 184, 176, 176, 41, 68, 73, 159, 197, 171, 187, 64, 11,  
187, 180,  
155, 187, 187, 11, 153, 187, 152, 0, 187, 187, 68, 32, 187, 185, 155, 176, 155, 187,  
176, 176,  
154, 153, 144, 184, 174, 73, 165, 185, 155, 187, 187, 185, 180, 187, 169, 155, 139,  
153, 153, 73,  
187, 187, 155, 0, 68, 187, 185, 155, 75, 11, 187, 180, 75, 187, 185, 144, 187, 187,  
187, 73,  
176, 0, 8, 139, 8, 0, 11, 0, 176, 0, 187, 176, 0, 176, 11, 152, 184, 180, 11, 136,  
187, 185, 136, 184, 128, 184, 137, 144, 0, 5, 139, 0, 0, 136, 139, 187, 0, 64, 0, 0,  
139, 0, 8, 0, 8, 0, 11, 144, 136, 0, 8, 0, 0, 0, 0, 148, 11, 187, 136, 0,  
0, 136, 176, 64, 0, 0, 11, 176, 176, 0, 64, 0, 11, 128, 8, 137, 9, 139, 0, 128,  
0, 187, 128, 140, 88, 0, 128, 0, 180, 64, 4, 184, 187, 75, 4, 8, 128, 64, 139, 64,  
136, 0, 144, 11, 11, 187, 11, 0, 75, 77, 249, 72, 187, 68, 11, 72, 64, 64, 11, 132,  
184, 187, 139, 160, 144, 11, 0, 176, 11, 137, 137, 139, 162, 32, 187, 185, 176, 8, 4,  
148,  
0, 185, 73, 132, 0, 75, 154, 139, 75, 9, 144, 64, 0, 11, 176, 2, 187, 185, 21, 66,  
75, 68, 146, 176, 0, 180, 11, 34, 146, 64, 187, 73, 153, 68, 4, 64, 176, 154, 73, 75,  
75, 152, 148, 146, 176, 187, 146, 82, 154, 41, 0, 8, 187, 11, 155, 148, 73, 180, 144,  
0,  
4, 187, 0, 11, 11, 185, 9, 152, 136, 178, 56, 148, 153, 156, 204, 170, 152, 136, 152,  
176,  
75, 75, 11, 4, 0, 73, 187, 187, 187, 0, 75, 153, 68, 4, 64, 4, 11, 64, 0, 0,  
178, 169, 73, 128, 72, 9, 154, 187, 186, 236, 36, 185, 147, 105, 153, 180, 187, 176,  
149, 180,

178, 187, 75, 187, 187, 187, 170, 187, 0, 187, 187, 180, 11, 184, 187, 180, 187, 176,  
4, 9,  
153, 155, 152, 144, 66, 75, 180, 180, 187, 155, 187, 187, 187, 187, 185, 184, 153,  
185, 187, 146,  
187, 73, 187, 0, 75, 187, 187, 155, 187, 187, 180, 75, 75, 185, 187, 0, 176, 187, 187,  
204,  
152, 136, 0, 11, 152, 0, 8, 128, 184, 8, 176, 0, 139, 64, 128, 185, 8, 128, 11, 136,  
139, 187, 152, 136, 128, 64, 184, 11, 0, 159, 152, 64, 11, 132, 139, 128, 11, 64, 11,  
8,  
0, 176, 128, 176, 0, 0, 139, 8, 187, 0, 0, 128, 0, 136, 9, 139, 128, 136, 136, 185,  
11, 0, 0, 8, 136, 137, 184, 0, 0, 11, 4, 187, 8, 139, 184, 136, 8, 128, 139, 11,  
8, 136, 128, 130, 72, 8, 132, 0, 68, 75, 187, 11, 64, 176, 0, 136, 176, 136, 128, 176,  
128, 180, 11, 11, 187, 180, 187, 176, 0, 185, 153, 27, 8, 0, 176, 187, 68, 11, 72, 152,  
180, 184, 176, 8, 4, 180, 11, 11, 136, 40, 8, 178, 155, 11, 8, 155, 128, 11, 128, 128,  
11, 4, 101, 250, 148, 185, 132, 187, 155, 176, 176, 128, 64, 152, 11, 68, 184, 132,  
176, 180,  
11, 68, 176, 75, 187, 180, 66, 66, 132, 64, 148, 155, 36, 41, 148, 176, 64, 68, 75, 38,  
64, 68, 72, 187, 4, 176, 64, 73, 43, 68, 185, 75, 0, 155, 75, 180, 185, 185, 180, 187,  
180, 8, 64, 0, 75, 185, 153, 132, 11, 187, 40, 139, 176, 156, 202, 170, 153, 153, 185,  
185,  
152, 155, 176, 146, 11, 73, 91, 185, 0, 64, 72, 146, 4, 180, 176, 43, 128, 0, 75, 0,  
154, 152, 180, 152, 144, 9, 195, 152, 137, 170, 89, 152, 155, 148, 148, 187, 187, 73,  
175, 176,  
187, 153, 187, 187, 153, 164, 155, 4, 0, 187, 153, 11, 11, 155, 176, 187, 187, 11,  
128, 185,  
184, 168, 155, 0, 185, 187, 155, 187, 155, 187, 187, 185, 155, 187, 178, 153, 152,  
187, 178, 159,  
169, 187, 187, 187, 176, 187, 185, 155, 187, 176, 187, 4, 75, 187, 155, 11, 155, 9,  
84, 153,  
184, 144, 0, 176, 184, 0, 176, 8, 128, 0, 8, 11, 128, 8, 139, 4, 136, 144, 176, 177,  
89, 191, 84, 187, 8, 11, 139, 11, 11, 187, 176, 11, 0, 8, 176, 0, 176, 11, 176, 0,  
8, 8, 184, 144, 0, 11, 128, 8, 152, 136, 4, 176, 136, 128, 136, 128, 0, 137, 187, 0,  
148, 128, 176, 8, 128, 184, 176, 8, 8, 0, 0, 176, 139, 176, 0, 139, 128, 176, 139, 8,

187, 184, 184, 128, 0, 176, 176, 8, 155, 64, 0, 11, 176, 187, 184, 139, 136, 128, 140,  
192,  
180, 0, 176, 176, 136, 64, 139, 0, 8, 184, 187, 144, 0, 9, 139, 8, 0, 176, 8, 132,  
11, 152, 11, 0, 0, 184, 184, 0, 176, 136, 8, 67, 96, 8, 9, 128, 0, 176, 0, 72,  
148, 73, 153, 146, 8, 86, 4, 68, 138, 187, 187, 4, 0, 11, 0, 11, 2, 187, 11, 68,  
4, 32, 176, 187, 137, 176, 11, 128, 187, 4, 2, 68, 66, 132, 146, 0, 176, 73, 176, 69,  
64, 11, 75, 155, 75, 155, 9, 155, 176, 37, 0, 82, 0, 68, 34, 64, 9, 139, 184, 144,  
2, 9, 176, 68, 11, 178, 36, 187, 185, 153, 41, 9, 72, 156, 170, 169, 136, 132, 187, 72,  
176, 176, 176, 160, 155, 2, 66, 68, 32, 153, 70, 155, 68, 180, 4, 75, 2, 75, 180, 11,  
152, 73, 154, 152, 64, 72, 137, 144, 136, 153, 153, 136, 11, 185, 169, 155, 187, 75,  
36, 187,  
75, 185, 75, 180, 186, 96, 187, 185, 152, 153, 155, 187, 43, 187, 180, 187, 176, 176,  
144, 187,  
178, 185, 136, 176, 180, 187, 144, 187, 187, 155, 75, 148, 187, 187, 187, 152, 137,  
34, 187, 173,  
82, 187, 187, 155, 75, 185, 148, 187, 155, 185, 187, 4, 187, 187, 75, 187, 187, 187,  
155, 187,  
144, 136, 8, 0, 0, 187, 8, 137, 176, 136, 0, 185, 8, 128, 4, 0, 0, 184, 184, 8,  
128, 65, 203, 0, 11, 0, 64, 136, 0, 176, 185, 136, 0, 0, 64, 11, 0, 128, 176, 8,  
128, 11, 176, 64, 128, 176, 0, 0, 137, 8, 11, 8, 8, 8, 8, 176, 0, 136, 4, 75,  
4, 11, 0, 136, 11, 4, 176, 139, 136, 0, 176, 0, 144, 8, 8, 155, 176, 4, 136, 136,  
0, 139, 8, 176, 0, 8, 8, 139, 0, 11, 0, 8, 187, 11, 136, 128, 8, 11, 4, 176,  
128, 176, 11, 8, 187, 8, 184, 136, 9, 8, 136, 155, 0, 136, 11, 0, 187, 0, 75, 136,  
0, 128, 185, 155, 187, 11, 9, 64, 176, 187, 128, 181, 41, 144, 136, 9, 9, 64, 68, 75,  
32, 0, 11, 180, 66, 152, 64, 75, 170, 40, 187, 11, 152, 180, 0, 64, 155, 184, 155, 187,  
4, 153, 187, 75, 187, 4, 75, 180, 73, 0, 184, 185, 66, 153, 187, 11, 4, 11, 153, 176,  
40, 139, 64, 185, 148, 178, 64, 184, 180, 4, 9, 34, 0, 69, 144, 64, 184, 176, 185, 75,  
178, 198, 72, 36, 73, 148, 75, 149, 68, 176, 137, 148, 73, 154, 170, 153, 155, 75,  
176, 32,  
155, 176, 176, 73, 180, 4, 4, 75, 187, 187, 149, 152, 187, 176, 74, 75, 11, 176, 4,  
176,  
152, 75, 76, 43, 155, 187, 0, 4, 73, 176, 144, 8, 187, 11, 75, 11, 180, 187, 11, 187,

187, 162, 187, 74, 187, 68, 187, 187, 187, 186, 107, 75, 64, 180, 180, 68, 180, 11, 0,  
187,  
4, 185, 153, 139, 155, 155, 11, 187, 185, 153, 148, 155, 187, 187, 187, 8, 36, 68, 73,  
155,  
75, 11, 180, 34, 176, 8, 9, 187, 178, 73, 155, 187, 187, 187, 155, 11, 187, 9, 187,  
187,  
176, 0, 184, 0, 0, 0, 184, 136, 187, 0, 0, 0, 128, 130, 176, 139, 128, 8, 8, 0,  
139, 9, 136, 0, 0, 176, 176, 0, 0, 4, 11, 176, 184, 8, 187, 11, 4, 184, 136, 8,  
176, 187, 128, 75, 0, 128, 0, 8, 136, 144, 136, 136, 0, 8, 8, 184, 136, 8, 0, 139,  
187, 139, 136, 0, 0, 128, 8, 0, 0, 0, 0, 139, 0, 136, 128, 144, 8, 128, 184, 132,  
64, 139, 10, 32, 8, 136, 0, 128, 187, 176, 176, 187, 128, 153, 136, 152, 128, 137, 0,  
128,  
11, 153, 72, 176, 11, 11, 187, 0, 185, 176, 139, 128, 0, 155, 139, 11, 8, 144, 144,  
155,  
8, 4, 148, 136, 43, 8, 139, 0, 0, 176, 184, 137, 40, 64, 4, 68, 184, 176, 0, 180,  
43, 64, 0, 4, 187, 146, 185, 0, 10, 169, 176, 176, 4, 75, 4, 0, 187, 184, 64, 11,  
187, 185, 75, 74, 4, 66, 75, 2, 152, 11, 2, 75, 180, 152, 184, 187, 180, 139, 68, 73,  
154, 132, 152, 153, 255, 184, 176, 171, 2, 8, 185, 8, 153, 137, 0, 0, 180, 68, 139,  
155,  
0, 41, 187, 73, 73, 180, 128, 156, 34, 64, 139, 64, 148, 74, 170, 136, 155, 68, 176,  
11,  
180, 149, 75, 9, 68, 34, 64, 68, 185, 64, 153, 187, 144, 73, 178, 75, 32, 11, 176, 185,  
187, 4, 66, 72, 11, 180, 8, 139, 187, 187, 136, 136, 9, 69, 164, 148, 180, 187, 187,  
187,  
180, 164, 34, 187, 187, 187, 75, 187, 171, 185, 11, 155, 187, 185, 4, 11, 187, 187,  
11, 180,  
186, 42, 155, 4, 185, 144, 176, 11, 172, 155, 185, 155, 187, 187, 180, 9, 187, 0, 187,  
75,  
184, 187, 187, 180, 187, 176, 137, 187, 11, 187, 187, 187, 187, 185, 155, 0, 136, 72,  
136, 154,  
144, 8, 64, 11, 0, 64, 176, 176, 75, 136, 136, 8, 0, 0, 0, 75, 176, 136, 139, 0,  
8, 136, 185, 0, 0, 136, 11, 11, 128, 137, 187, 8, 128, 187, 8, 176, 184, 0, 136, 137,  
187, 176, 176, 32, 0, 136, 139, 73, 136, 136, 137, 9, 176, 0, 136, 2, 0, 64, 176, 152,

152, 0, 136, 128, 0, 0, 64, 4, 136, 128, 11, 128, 8, 128, 128, 9, 136, 152, 0, 9,  
0, 0, 9, 184, 136, 136, 8, 181, 144, 180, 68, 8, 187, 111, 128, 187, 0, 8, 136, 0,  
128, 139, 185, 11, 11, 136, 128, 184, 128, 11, 11, 0, 0, 72, 72, 180, 9, 187, 0, 155,  
8, 180, 0, 64, 43, 73, 155, 0, 11, 8, 8, 156, 196, 75, 185, 0, 139, 0, 8, 68,  
68, 176, 187, 180, 75, 8, 128, 0, 0, 148, 168, 4, 172, 201, 9, 4, 68, 184, 64, 176,  
146, 187, 176, 0, 0, 178, 32, 11, 137, 128, 146, 82, 10, 180, 9, 68, 34, 73, 155, 0,  
32, 5, 176, 2, 238, 75, 0, 64, 178, 36, 11, 68, 155, 64, 11, 0, 153, 169, 152, 11,  
187, 144, 185, 11, 186, 176, 128, 146, 47, 64, 8, 180, 185, 73, 153, 169, 155, 9, 20,  
0,  
148, 38, 80, 185, 64, 4, 4, 4, 8, 64, 137, 176, 176, 184, 144, 176, 0, 4, 4, 128,  
152, 8, 180, 72, 75, 178, 153, 136, 185, 187, 11, 144, 0, 73, 36, 73, 187, 9, 187, 176,  
154, 32, 180, 187, 178, 187, 11, 36, 180, 81, 187, 187, 75, 180, 187, 0, 4, 187, 0,  
180,  
10, 165, 148, 176, 152, 180, 185, 153, 247, 75, 187, 68, 148, 187, 68, 185, 148, 180,  
75, 75,  
187, 180, 155, 75, 187, 184, 185, 160, 72, 187, 187, 187, 155, 178, 75, 176, 11, 9,  
11, 180,  
32, 4, 0, 8, 139, 185, 11, 187, 176, 128, 8, 0, 128, 152, 185, 136, 176, 0, 0, 0,  
0, 136, 0, 8, 0, 11, 187, 0, 8, 136, 176, 98, 0, 152, 136, 144, 128, 0, 143, 201,  
184, 128, 12, 0, 136, 130, 128, 137, 128, 184, 139, 11, 11, 0, 155, 4, 184, 184, 139,  
8,  
168, 9, 202, 136, 132, 0, 180, 139, 50, 128, 184, 0, 0, 9, 76, 84, 4, 132, 155, 130,  
137, 136, 139, 185, 155, 0, 184, 215, 152, 0, 68, 176, 176, 168, 139, 64, 0, 187, 9,  
136,  
184, 155, 11, 187, 8, 152, 139, 0, 0, 176, 184, 32, 0, 136, 0, 0, 187, 176, 8, 0,  
11, 160, 0, 64, 0, 137, 32, 0, 8, 136, 4, 73, 8, 4, 0, 180, 4, 0, 153, 187,  
178, 194, 75, 152, 176, 132, 64, 0, 36, 9, 154, 41, 174, 120, 155, 4, 72, 153, 153, 81,  
0, 176, 137, 144, 64, 176, 68, 8, 144, 176, 182, 53, 73, 164, 68, 4, 68, 184, 68, 72,  
128, 139, 180, 152, 84, 41, 132, 128, 180, 36, 68, 68, 64, 75, 176, 4, 2, 140, 91, 72,  
4, 176, 4, 72, 137, 68, 8, 192, 4, 154, 169, 139, 32, 153, 185, 139, 9, 4, 64, 4,  
4, 8, 80, 176, 176, 64, 4, 2, 144, 11, 128, 9, 64, 68, 4, 4, 43, 4, 187, 180,  
136, 8, 180, 72, 137, 66, 68, 187, 187, 184, 8, 137, 68, 64, 68, 180, 187, 187, 187,  
68,

155, 68, 68, 187, 187, 185, 75, 75, 75, 41, 11, 187, 187, 73, 139, 68, 155, 4, 0, 70,  
150, 173, 242, 152, 148, 68, 184, 9, 246, 64, 187, 79, 59, 187, 75, 187, 187, 156, 32,  
75,  
187, 68, 187, 187, 187, 187, 178, 152, 144, 41, 155, 185, 187, 75, 187, 75, 11, 176,  
68, 180,  
0, 136, 128, 139, 11, 176, 11, 184, 184, 0, 0, 128, 176, 8, 136, 153, 176, 136, 0, 0,  
8, 139, 176, 0, 8, 0, 144, 72, 11, 187, 11, 171, 0, 174, 217, 136, 187, 11, 138, 75,  
128, 176, 0, 0, 8, 155, 0, 138, 187, 136, 128, 185, 11, 9, 128, 128, 0, 11, 68, 128,  
176, 4, 154, 176, 136, 0, 0, 152, 80, 184, 0, 11, 0, 137, 137, 64, 0, 0, 18, 176,  
11, 128, 128, 9, 136, 0, 0, 255, 152, 0, 0, 11, 184, 136, 4, 4, 64, 136, 8, 9,  
176, 155, 0, 0, 72, 144, 2, 11, 8, 4, 148, 84, 11, 8, 152, 187, 9, 0, 146, 64,  
11, 176, 128, 187, 0, 0, 176, 139, 137, 128, 4, 68, 184, 184, 137, 155, 68, 0, 75, 152,  
73, 196, 187, 144, 148, 180, 128, 185, 139, 187, 4, 155, 154, 41, 144, 4, 0, 187, 8,  
165,  
176, 11, 152, 144, 0, 11, 180, 176, 68, 4, 2, 20, 36, 66, 22, 66, 149, 171, 11, 139,  
4, 64, 0, 137, 148, 4, 155, 152, 187, 4, 64, 180, 176, 187, 64, 176, 72, 66, 75, 136,  
176, 180, 0, 4, 176, 11, 0, 40, 0, 156, 169, 137, 0, 137, 153, 137, 64, 11, 68, 32,  
75, 136, 176, 187, 128, 176, 4, 153, 2, 68, 184, 64, 4, 11, 8, 64, 0, 187, 180, 180,  
139, 130, 153, 176, 73, 148, 66, 75, 146, 168, 73, 41, 148, 64, 4, 73, 187, 11, 75,  
185,  
153, 2, 73, 11, 187, 153, 148, 75, 180, 176, 155, 185, 153, 153, 185, 43, 155, 4, 169,  
181,  
153, 76, 169, 153, 208, 9, 139, 185, 153, 73, 137, 188, 171, 187, 180, 180, 187, 254,  
68, 144,  
180, 75, 187, 187, 187, 187, 187, 176, 11, 250, 155, 187, 148, 187, 153, 187, 11,  
187, 225, 11,  
176, 0, 176, 128, 184, 0, 187, 0, 184, 128, 0, 128, 128, 176, 139, 184, 11, 0, 0, 0,  
72, 128, 8, 132, 128, 136, 0, 187, 139, 128, 11, 176, 136, 167, 217, 155, 187, 0, 0,  
184,  
139, 0, 9, 144, 136, 176, 152, 184, 8, 184, 139, 8, 176, 137, 139, 11, 11, 0, 155, 184,  
176, 0, 180, 8, 176, 0, 136, 137, 128, 11, 0, 0, 8, 8, 176, 128, 0, 0, 73, 155,  
11, 136, 187, 75, 4, 128, 139, 153, 137, 184, 11, 0, 0, 139, 128, 176, 0, 132, 128, 8,  
176, 176, 0, 11, 0, 176, 0, 64, 9, 176, 0, 148, 0, 11, 139, 8, 176, 187, 180, 0,

9, 0, 152, 139, 184, 11, 148, 11, 137, 128, 185, 4, 187, 180, 184, 137, 187, 185, 176,  
136,  
187, 11, 4, 187, 187, 72, 180, 184, 148, 8, 155, 2, 152, 136, 139, 148, 187, 0, 155,  
187,  
4, 64, 139, 148, 64, 139, 152, 176, 64, 128, 73, 137, 44, 108, 37, 68, 2, 153, 139,  
130,  
75, 180, 11, 153, 144, 180, 11, 185, 0, 8, 11, 0, 36, 4, 176, 185, 2, 64, 180, 152,  
184, 144, 128, 75, 187, 148, 184, 187, 11, 132, 136, 136, 185, 148, 148, 187, 187, 9,  
176, 0,  
4, 155, 43, 155, 139, 0, 4, 68, 6, 32, 64, 4, 0, 9, 75, 176, 178, 43, 68, 0,  
0, 2, 180, 180, 11, 66, 144, 187, 133, 34, 140, 229, 185, 137, 64, 187, 75, 43, 187,  
187,  
185, 187, 73, 176, 187, 153, 187, 176, 187, 155, 11, 185, 187, 153, 11, 180, 11, 187,  
139, 155,  
15, 201, 73, 155, 91, 8, 187, 153, 9, 153, 137, 75, 187, 155, 187, 153, 75, 154, 156,  
187,  
149, 187, 185, 180, 75, 180, 148, 64, 75, 148, 187, 153, 180, 187, 185, 187, 11, 11,  
202, 185,  
176, 137, 184, 4, 9, 187, 176, 8, 136, 176, 136, 0, 11, 0, 0, 11, 11, 176, 0, 0,  
136, 132, 176, 0, 152, 136, 0, 184, 128, 8, 8, 8, 187, 154, 137, 137, 136, 0, 128, 184,  
128, 0, 9, 144, 128, 11, 128, 137, 136, 152, 11, 139, 176, 136, 8, 8, 155, 128, 144,  
176,  
176, 4, 11, 136, 128, 136, 8, 184, 136, 0, 136, 136, 8, 0, 64, 9, 128, 176, 136, 176,  
136, 136, 0, 11, 182, 200, 0, 136, 43, 128, 0, 180, 128, 128, 0, 11, 0, 150, 180, 0,  
139, 178, 176, 64, 64, 0, 0, 187, 0, 11, 11, 64, 0, 176, 187, 155, 11, 0, 0, 185,  
146, 139, 152, 137, 9, 64, 11, 11, 8, 8, 73, 43, 136, 187, 8, 152, 155, 139, 11, 139,  
0, 187, 0, 128, 4, 155, 180, 144, 155, 128, 171, 137, 184, 68, 137, 34, 187, 11, 75,  
176,  
11, 11, 146, 144, 11, 73, 154, 187, 0, 176, 68, 146, 47, 115, 194, 68, 153, 137, 168,  
140,  
148, 8, 73, 180, 34, 148, 4, 0, 0, 4, 0, 64, 69, 73, 187, 0, 75, 11, 187, 155,  
180, 155, 139, 181, 41, 152, 128, 0, 184, 2, 4, 36, 8, 153, 180, 9, 144, 73, 180, 4,  
75, 187, 184, 152, 187, 187, 187, 0, 69, 4, 4, 64, 64, 185, 176, 11, 11, 72, 128, 68,

8, 137, 64, 146, 153, 180, 4, 184, 176, 146, 172, 218, 153, 187, 68, 187, 185, 155,  
187, 187,  
185, 187, 187, 155, 187, 187, 75, 178, 75, 187, 11, 11, 148, 75, 180, 187, 11, 74,  
187, 180,  
178, 169, 11, 153, 187, 187, 75, 176, 139, 73, 153, 139, 185, 187, 145, 36, 187, 148,  
178, 153,  
161, 153, 180, 68, 75, 187, 68, 187, 186, 153, 187, 155, 153, 155, 75, 187, 187, 187,  
41, 90,  
0, 185, 136, 188, 184, 8, 176, 0, 128, 8, 8, 8, 176, 0, 128, 187, 8, 75, 184, 9,  
136, 139, 136, 4, 136, 5, 11, 187, 128, 176, 0, 136, 8, 138, 136, 139, 0, 0, 152, 0,  
8, 4, 153, 75, 0, 128, 8, 8, 136, 128, 75, 184, 176, 132, 4, 180, 144, 136, 176, 136,  
0, 0, 0, 0, 0, 176, 0, 136, 176, 8, 11, 8, 72, 176, 73, 184, 64, 75, 136, 187,  
136, 136, 136, 4, 137, 137, 40, 184, 136, 0, 176, 136, 0, 128, 180, 64, 8, 144, 0, 139,  
11, 144, 8, 8, 32, 153, 64, 42, 11, 187, 176, 0, 68, 11, 148, 185, 176, 68, 0, 137,  
75, 153, 136, 64, 184, 82, 64, 75, 8, 8, 220, 171, 136, 184, 136, 8, 185, 148, 4, 180,  
0, 176, 176, 176, 9, 185, 184, 139, 144, 11, 8, 178, 9, 73, 75, 184, 148, 180, 178, 64,  
73, 148, 184, 75, 153, 184, 152, 128, 68, 64, 187, 185, 44, 238, 106, 43, 136, 168,  
146, 95,  
249, 144, 155, 68, 41, 0, 66, 75, 64, 68, 68, 75, 181, 9, 139, 180, 75, 41, 66, 176,  
4, 155, 176, 9, 68, 4, 32, 0, 176, 184, 36, 180, 187, 185, 187, 8, 0, 180, 64, 4,  
148, 176, 180, 154, 185, 148, 187, 144, 4, 8, 148, 66, 43, 73, 144, 180, 187, 184, 0,  
4,  
137, 68, 137, 11, 153, 132, 68, 184, 66, 164, 154, 152, 128, 180, 64, 187, 187, 68,  
180, 144,  
187, 187, 187, 187, 187, 187, 187, 178, 180, 75, 180, 187, 186, 91, 75, 187, 75, 146,  
164, 68,  
187, 187, 75, 36, 187, 75, 73, 68, 187, 153, 75, 187, 187, 11, 163, 155, 187, 187,  
153, 144,  
187, 155, 187, 11, 187, 187, 75, 153, 187, 73, 75, 187, 187, 75, 187, 187, 73, 187,  
180, 155,  
137, 184, 185, 137, 176, 132, 0, 0, 8, 128, 128, 0, 11, 128, 0, 8, 0, 187, 0, 184,  
136, 128, 128, 176, 136, 137, 4, 0, 187, 0, 128, 64, 187, 136, 136, 128, 11, 10, 176,  
153,



178, 187, 9, 0, 0, 0, 0, 128, 136, 8, 8, 0, 187, 11, 176, 4, 64, 187, 187, 128,  
0, 0, 0, 11, 24, 184, 136, 136, 176, 136, 128, 11, 196, 0, 68, 156, 210, 0, 176, 184,  
73, 187, 187, 187, 184, 184, 64, 176, 184, 0, 0, 184, 0, 0, 137, 0, 0, 0, 11, 8,  
184, 64, 0, 128, 64, 11, 75, 68, 180, 180, 139, 180, 176, 2, 152, 128, 9, 32, 136, 72,  
0, 0, 136, 187, 132, 196, 0, 0, 187, 0, 169, 176, 11, 11, 139, 0, 148, 75, 139, 64,  
11, 68, 8, 185, 11, 184, 136, 152, 43, 0, 148, 68, 176, 155, 75, 132, 187, 162, 145,  
155,  
191, 169, 11, 176, 73, 139, 139, 139, 2, 0, 137, 185, 170, 253, 213, 41, 75, 9, 42,  
106,  
89, 9, 148, 11, 68, 68, 149, 144, 8, 69, 75, 11, 180, 8, 187, 184, 187, 148, 66, 43,  
11, 201, 186, 176, 0, 2, 212, 0, 0, 185, 107, 144, 11, 185, 176, 178, 75, 0, 148, 4,  
4, 187, 187, 184, 180, 187, 187, 64, 11, 75, 185, 66, 58, 68, 4, 0, 75, 9, 187, 152,  
180, 144, 75, 176, 153, 187, 11, 4, 36, 52, 149, 8, 187, 155, 11, 187, 154, 155, 187,  
187,  
155, 187, 155, 148, 187, 187, 176, 187, 155, 187, 11, 187, 159, 214, 169, 155, 75, 2,  
37, 75,  
187, 176, 187, 180, 73, 187, 4, 171, 153, 185, 153, 176, 152, 153, 73, 73, 180, 187,  
187, 171,  
187, 155, 155, 0, 187, 187, 155, 187, 155, 75, 155, 180, 187, 155, 180, 187, 75, 176,  
185, 9,  
146, 171, 137, 128, 184, 11, 184, 137, 136, 176, 136, 8, 8, 8, 0, 8, 11, 139, 0, 184,  
0, 0, 0, 128, 176, 184, 43, 11, 176, 11, 11, 128, 11, 8, 72, 176, 0, 176, 176, 11,  
187, 11, 184, 0, 128, 64, 0, 176, 184, 0, 8, 180, 8, 139, 0, 180, 0, 136, 0, 0,  
128, 0, 0, 180, 152, 201, 152, 132, 155, 139, 4, 9, 176, 11, 0, 1, 84, 185, 144, 0,  
155, 0, 11, 64, 0, 0, 0, 128, 180, 176, 11, 8, 128, 128, 184, 0, 11, 8, 139, 130,  
11, 11, 11, 176, 0, 180, 144, 11, 184, 0, 184, 148, 187, 185, 8, 64, 8, 0, 128, 11,  
136, 128, 43, 176, 0, 0, 64, 136, 0, 144, 8, 176, 11, 0, 128, 187, 176, 136, 91, 64,  
171, 9, 8, 128, 137, 187, 11, 155, 176, 64, 64, 178, 242, 187, 184, 128, 187, 238,  
144, 11,  
156, 25, 0, 185, 73, 40, 27, 0, 0, 185, 137, 137, 42, 106, 207, 196, 146, 155, 155,  
139,  
180, 152, 73, 153, 64, 68, 134, 196, 4, 36, 0, 155, 149, 4, 11, 132, 75, 68, 4, 137,

139, 186, 59, 148, 153, 186, 144, 73, 180, 73, 178, 0, 187, 139, 185, 132, 132, 180,  
139, 187,  
176, 64, 139, 180, 176, 187, 11, 4, 75, 36, 187, 34, 176, 72, 75, 185, 36, 0, 64, 136,  
153, 153, 191, 153, 178, 180, 73, 176, 164, 70, 160, 44, 75, 41, 144, 68, 180, 0, 144,  
9,  
155, 11, 187, 187, 180, 187, 187, 137, 187, 187, 73, 68, 178, 47, 148, 187, 187, 180,  
156, 73,  
148, 185, 187, 75, 75, 187, 186, 57, 73, 185, 68, 187, 184, 9, 155, 187, 155, 34, 187,  
43,  
201, 153, 180, 187, 75, 187, 185, 155, 185, 153, 180, 75, 180, 155, 180, 155, 187,  
155, 187, 187,  
146, 155, 128, 136, 139, 146, 40, 136, 136, 176, 136, 176, 128, 0, 136, 0, 0, 176,  
176, 0,  
8, 4, 8, 136, 8, 152, 155, 0, 144, 182, 153, 8, 0, 152, 137, 176, 128, 26, 154, 184,  
0, 176, 0, 176, 0, 176, 168, 0, 128, 11, 2, 187, 187, 136, 176, 144, 176, 0, 128, 11,  
176, 0, 0, 11, 186, 88, 144, 187, 168, 136, 0, 180, 0, 8, 64, 72, 42, 139, 187, 4,  
128, 0, 11, 4, 64, 11, 152, 136, 11, 11, 176, 128, 0, 0, 128, 178, 136, 32, 64, 176,  
176, 11, 11, 187, 155, 64, 184, 0, 8, 184, 173, 153, 137, 187, 176, 11, 132, 156, 144,  
72,  
187, 0, 128, 139, 176, 176, 0, 0, 0, 75, 72, 0, 11, 128, 8, 184, 11, 184, 176, 11,  
64, 9, 75, 73, 176, 73, 176, 72, 68, 75, 187, 185, 234, 64, 185, 187, 0, 204, 0, 187,  
139, 155, 0, 75, 11, 180, 139, 4, 153, 184, 144, 153, 153, 188, 193, 34, 34, 184, 155,  
176,  
185, 146, 80, 2, 64, 4, 185, 43, 5, 155, 0, 11, 181, 20, 64, 4, 180, 146, 162, 73,  
139, 155, 155, 27, 184, 68, 36, 176, 187, 73, 68, 137, 68, 136, 36, 144, 75, 4, 180,  
137,  
128, 9, 11, 187, 11, 0, 11, 187, 0, 0, 11, 9, 128, 153, 176, 68, 68, 4, 0, 180,  
153, 136, 147, 146, 180, 2, 72, 139, 164, 186, 152, 175, 16, 155, 155, 73, 4, 187,  
187, 136,  
11, 187, 185, 155, 75, 187, 176, 176, 155, 178, 242, 187, 156, 105, 155, 187, 176,  
187, 180, 155,  
155, 187, 185, 155, 155, 176, 66, 36, 187, 180, 84, 178, 75, 185, 11, 187, 155, 68,  
153, 185,

105, 155, 187, 185, 153, 187, 185, 153, 153, 154, 156, 180, 68, 187, 185, 43, 11,  
185, 155, 153,  
155, 169, 11, 136, 184, 241, 139, 139, 185, 72, 0, 0, 0, 0, 0, 139, 176, 0, 184, 187,  
136, 0, 8, 136, 128, 128, 176, 0, 136, 157, 169, 0, 0, 8, 0, 8, 136, 148, 31, 155,  
176, 0, 4, 75, 8, 0, 128, 0, 0, 136, 136, 4, 187, 0, 11, 73, 155, 128, 8, 8,  
8, 128, 128, 0, 152, 155, 185, 0, 8, 68, 144, 184, 0, 11, 0, 137, 150, 128, 132, 0,  
40, 180, 64, 11, 0, 136, 139, 184, 144, 64, 144, 8, 8, 11, 64, 8, 136, 187, 176, 136,  
139, 64, 0, 139, 128, 0, 176, 0, 11, 185, 206, 164, 148, 185, 176, 2, 72, 174, 32, 0,  
187, 9, 9, 176, 139, 128, 0, 4, 187, 9, 42, 139, 139, 0, 176, 4, 43, 139, 187, 80,  
187, 73, 152, 187, 184, 1, 68, 148, 176, 185, 8, 187, 36, 148, 37, 178, 153, 152, 180,  
187,  
184, 148, 41, 66, 72, 11, 68, 11, 38, 168, 128, 176, 68, 180, 34, 146, 66, 68, 184, 64,  
185, 181, 64, 68, 68, 37, 0, 34, 152, 176, 139, 37, 180, 36, 64, 4, 144, 68, 36, 43,  
155, 155, 32, 11, 0, 11, 42, 68, 184, 152, 192, 11, 152, 153, 132, 155, 66, 153, 11,  
152,  
153, 68, 64, 64, 180, 0, 68, 185, 176, 68, 176, 0, 66, 169, 0, 180, 4, 153, 153, 203,  
136, 11, 176, 184, 8, 180, 68, 0, 134, 153, 72, 4, 73, 185, 34, 4, 4, 75, 201, 187,  
11, 11, 185, 75, 187, 187, 180, 75, 4, 146, 32, 176, 176, 73, 155, 187, 32, 11, 187,  
68,  
75, 75, 180, 187, 185, 75, 187, 171, 0, 186, 20, 170, 185, 187, 155, 68, 187, 68, 187,  
73,  
155, 155, 169, 139, 155, 153, 185, 148, 154, 162, 43, 146, 36, 73, 146, 187, 75, 187,  
169, 153,  
73, 72, 8, 11, 11, 41, 139, 8, 186, 0, 0, 0, 0, 8, 8, 0, 64, 11, 184, 187,  
5, 168, 152, 75, 0, 0, 4, 11, 137, 170, 153, 0, 0, 8, 11, 11, 4, 184, 146, 0,  
187, 0, 4, 176, 8, 128, 11, 128, 9, 176, 137, 176, 187, 0, 184, 176, 187, 136, 128, 2,  
155, 8, 8, 11, 128, 128, 64, 0, 0, 8, 137, 180, 36, 128, 187, 152, 148, 144, 144, 185,  
8, 176, 0, 187, 0, 176, 139, 2, 40, 140, 168, 146, 32, 11, 187, 8, 11, 176, 4, 187,  
0, 148, 0, 176, 0, 176, 11, 187, 8, 9, 184, 136, 9, 180, 178, 180, 184, 11, 153, 128,  
9, 8, 180, 184, 185, 0, 146, 11, 0, 144, 128, 144, 184, 176, 8, 11, 8, 184, 187, 84,  
43, 64, 0, 184, 187, 137, 128, 180, 8, 8, 73, 64, 11, 72, 132, 8, 185, 139, 137, 187,  
153, 220, 34, 187, 136, 187, 0, 68, 181, 171, 153, 153, 11, 68, 137, 132, 102, 20,  
159, 180,

139, 0, 68, 68, 64, 180, 66, 64, 43, 64, 148, 172, 187, 4, 4, 68, 4, 4, 68, 0,  
184, 187, 68, 11, 11, 4, 165, 4, 72, 130, 0, 138, 148, 136, 2, 68, 155, 0, 132, 132,  
128, 68, 0, 187, 155, 180, 68, 180, 187, 4, 155, 187, 0, 68, 66, 64, 0, 72, 144, 176,  
144, 184, 176, 176, 128, 176, 139, 152, 154, 75, 72, 187, 9, 176, 132, 75, 148, 9,  
153, 155,  
176, 75, 187, 154, 148, 187, 185, 68, 186, 107, 155, 187, 185, 154, 25, 187, 64, 11,  
75, 153,  
178, 187, 187, 187, 180, 187, 185, 155, 176, 10, 171, 189, 160, 187, 75, 176, 187,  
187, 187, 185,  
41, 187, 153, 180, 148, 185, 153, 148, 146, 194, 41, 34, 34, 41, 187, 180, 187, 187,  
169, 144,  
180, 176, 0, 128, 176, 0, 64, 187, 144, 0, 0, 128, 148, 128, 8, 8, 0, 176, 0, 176,  
1, 40, 187, 176, 0, 4, 0, 152, 185, 164, 136, 137, 0, 136, 73, 0, 132, 0, 153, 11,  
0, 4, 64, 148, 184, 8, 128, 136, 136, 180, 32, 11, 148, 68, 176, 8, 8, 0, 8, 137,  
128, 128, 180, 11, 187, 75, 139, 4, 0, 0, 0, 187, 0, 0, 128, 136, 4, 8, 171, 8,  
128, 176, 66, 187, 64, 11, 176, 8, 0, 129, 155, 187, 128, 0, 144, 0, 152, 4, 75, 75,  
176, 128, 184, 186, 0, 185, 136, 0, 9, 0, 185, 136, 11, 9, 8, 184, 139, 8, 144, 9,  
8, 187, 0, 11, 136, 8, 176, 4, 0, 8, 137, 153, 184, 75, 176, 11, 186, 0, 0, 68,  
0, 64, 4, 184, 178, 184, 180, 185, 128, 0, 187, 136, 196, 187, 176, 11, 11, 176, 176,  
180,  
137, 194, 137, 152, 180, 139, 9, 180, 187, 139, 37, 68, 137, 36, 153, 153, 17, 16,  
100, 68,  
176, 180, 73, 66, 180, 68, 148, 4, 41, 160, 69, 0, 144, 155, 176, 11, 64, 82, 68, 75,  
187, 187, 0, 64, 11, 184, 180, 64, 187, 155, 4, 157, 203, 11, 64, 72, 176, 155, 180,  
43,  
132, 64, 68, 187, 185, 180, 64, 187, 75, 11, 187, 64, 187, 176, 2, 75, 180, 144, 1, 4,  
0, 136, 137, 155, 144, 8, 187, 152, 146, 72, 8, 152, 136, 152, 11, 153, 132, 9, 155,  
187,  
139, 139, 187, 185, 187, 187, 185, 153, 185, 160, 185, 185, 148, 169, 155, 43, 187,  
187, 187, 148,  
187, 155, 185, 187, 187, 154, 153, 154, 41, 66, 75, 185, 187, 187, 187, 64, 187, 187,  
187, 187,

187, 187, 153, 180, 154, 84, 153, 146, 69, 170, 153, 153, 41, 153, 36, 146, 153, 180,  
153, 187,  
180, 0, 0, 64, 36, 0, 184, 0, 11, 0, 136, 128, 64, 8, 8, 8, 176, 0, 0, 11,  
73, 128, 187, 184, 128, 8, 0, 9, 9, 254, 153, 72, 10, 139, 128, 128, 0, 176, 8, 176,  
0, 0, 176, 0, 0, 137, 152, 9, 176, 64, 91, 128, 187, 169, 8, 136, 0, 0, 0, 8,  
139, 139, 9, 32, 70, 160, 137, 75, 136, 128, 0, 11, 0, 128, 0, 11, 75, 176, 152, 0,  
148, 187, 177, 160, 75, 176, 11, 128, 128, 9, 180, 176, 11, 144, 186, 184, 139, 0,  
152, 128,  
8, 176, 8, 0, 0, 4, 128, 0, 176, 4, 176, 178, 11, 139, 184, 40, 137, 187, 185, 180,  
0, 4, 0, 176, 139, 8, 176, 0, 66, 9, 139, 144, 0, 128, 180, 176, 75, 184, 137, 180,  
4, 187, 11, 4, 2, 11, 153, 187, 176, 148, 0, 138, 114, 75, 68, 144, 10, 0, 11, 152,  
139, 11, 185, 139, 136, 176, 180, 180, 187, 139, 75, 41, 137, 4, 36, 73, 148, 148,  
148, 148,  
68, 66, 33, 21, 2, 180, 146, 180, 196, 152, 69, 37, 180, 178, 66, 176, 4, 152, 155,  
155,  
128, 137, 185, 68, 176, 136, 0, 180, 101, 187, 64, 40, 180, 176, 146, 84, 0, 4, 11, 64,  
176, 4, 4, 75, 155, 176, 0, 0, 68, 176, 185, 184, 74, 148, 4, 9, 153, 152, 11, 64,  
185, 0, 184, 132, 187, 139, 185, 184, 137, 0, 176, 185, 0, 185, 0, 187, 139, 137, 26,  
155,  
187, 139, 187, 187, 185, 185, 187, 180, 187, 11, 36, 181, 155, 176, 153, 42, 185,  
187, 187, 75,  
194, 148, 187, 187, 153, 150, 36, 189, 146, 155, 176, 185, 155, 187, 187, 75, 176,  
187, 187, 187,  
75, 187, 187, 182, 170, 42, 73, 34, 92, 165, 148, 41, 41, 68, 73, 43, 73, 164, 187,  
155,  
40, 184, 128, 11, 180, 8, 132, 64, 187, 128, 128, 128, 176, 0, 0, 11, 128, 0, 8, 0,  
8, 128, 176, 0, 152, 128, 8, 8, 185, 62, 171, 8, 184, 152, 176, 0, 136, 0, 136, 0,  
0, 4, 68, 64, 11, 8, 139, 4, 128, 176, 11, 0, 4, 0, 8, 176, 0, 0, 0, 0,  
187, 176, 0, 0, 5, 0, 155, 176, 187, 128, 139, 128, 136, 176, 0, 139, 132, 0, 64, 73,  
64, 137, 11, 0, 64, 0, 0, 128, 8, 8, 8, 128, 176, 148, 0, 136, 136, 0, 137, 136,  
9, 136, 184, 176, 187, 11, 11, 8, 0, 187, 75, 187, 0, 155, 187, 176, 75, 176, 11, 0,  
176, 144, 64, 11, 75, 136, 153, 9, 0, 185, 177, 184, 128, 11, 139, 184, 176, 128, 74,  
226,

144, 4, 180, 187, 187, 136, 200, 144, 64, 11, 185, 185, 164, 146, 152, 144, 187, 75,  
137, 4,  
4, 180, 155, 185, 180, 0, 176, 11, 137, 152, 75, 66, 152, 148, 130, 147, 36, 146, 132,  
180,  
4, 79, 195, 118, 84, 64, 75, 176, 41, 146, 20, 17, 68, 180, 148, 0, 68, 155, 155, 185,  
155, 176, 64, 187, 185, 0, 0, 64, 89, 187, 185, 185, 153, 75, 0, 180, 128, 162, 0, 36,  
187, 176, 68, 153, 176, 187, 149, 68, 180, 180, 75, 136, 41, 137, 0, 137, 128, 68, 0,  
148,  
148, 180, 9, 178, 184, 187, 155, 187, 0, 139, 68, 73, 155, 176, 155, 0, 187, 153, 25,  
155,  
155, 0, 187, 176, 187, 155, 180, 187, 187, 68, 43, 155, 64, 176, 152, 206, 73, 153,  
11, 187,  
153, 187, 187, 153, 185, 153, 155, 187, 188, 148, 176, 153, 139, 64, 155, 74, 75,  
187, 155, 43,  
153, 185, 149, 159, 202, 153, 170, 82, 90, 82, 162, 41, 153, 68, 68, 153, 154, 218,  
153, 153,  
153, 0, 176, 139, 180, 64, 130, 155, 11, 136, 0, 8, 0, 0, 0, 128, 0, 64, 0, 176,  
187, 0, 152, 75, 0, 4, 0, 8, 152, 130, 176, 75, 72, 187, 9, 8, 128, 8, 128, 8,  
128, 184, 64, 0, 187, 128, 152, 185, 139, 184, 180, 184, 0, 0, 8, 11, 176, 176, 176,  
139,  
75, 11, 11, 0, 176, 128, 128, 68, 0, 11, 187, 11, 184, 8, 8, 144, 75, 187, 176, 68,  
64, 136, 4, 32, 176, 4, 180, 0, 64, 139, 176, 11, 180, 0, 11, 176, 128, 128, 0, 136,  
8, 11, 11, 0, 8, 128, 187, 132, 176, 11, 72, 176, 176, 11, 11, 176, 72, 184, 68, 184,  
128, 176, 176, 176, 139, 139, 4, 75, 0, 73, 137, 136, 11, 139, 155, 139, 184, 155, 4,  
196,  
155, 11, 180, 0, 187, 11, 136, 36, 0, 132, 80, 2, 139, 75, 9, 68, 11, 11, 187, 0,  
9, 136, 186, 218, 180, 4, 128, 68, 73, 169, 187, 8, 187, 0, 4, 199, 36, 144, 68, 66,  
68, 74, 195, 225, 84, 0, 180, 68, 32, 153, 4, 47, 16, 155, 176, 185, 180, 91, 184, 148,  
152, 137, 178, 75, 73, 187, 186, 43, 4, 187, 0, 191, 105, 137, 4, 0, 4, 68, 186, 217,  
75, 176, 181, 89, 176, 68, 68, 68, 187, 68, 75, 137, 153, 137, 75, 152, 0, 11, 184,  
178,  
43, 64, 185, 166, 152, 187, 68, 185, 185, 180, 68, 185, 82, 187, 68, 187, 180, 153,  
75, 187,

187, 187, 185, 11, 185, 11, 42, 75, 185, 148, 36, 187, 75, 154, 185, 170, 185, 185,  
155, 68,  
187, 155, 185, 89, 155, 153, 185, 75, 155, 180, 187, 153, 43, 180, 153, 83, 36, 154,  
185, 185,  
185, 148, 68, 66, 34, 165, 165, 197, 202, 202, 42, 34, 41, 41, 146, 153, 173, 60, 170,  
154,  
36, 128, 136, 136, 8, 0, 180, 184, 180, 178, 8, 11, 136, 0, 139, 139, 64, 136, 11, 8,  
0, 11, 128, 187, 0, 4, 144, 136, 176, 0, 9, 11, 176, 0, 187, 176, 0, 139, 0, 186,  
32, 4, 176, 0, 0, 128, 184, 8, 0, 0, 0, 0, 128, 0, 128, 187, 176, 164, 0, 0,  
0, 64, 0, 0, 0, 0, 68, 11, 9, 185, 128, 11, 176, 0, 136, 128, 178, 152, 187, 176,  
148, 0, 11, 11, 0, 178, 136, 0, 0, 148, 136, 11, 11, 152, 155, 128, 184, 128, 8, 64,  
128, 128, 72, 176, 72, 4, 152, 0, 8, 11, 176, 180, 187, 0, 73, 176, 8, 138, 180, 176,  
0, 11, 11, 0, 187, 144, 128, 11, 176, 176, 40, 187, 176, 8, 136, 128, 181, 144, 128, 9,  
75, 187, 176, 75, 187, 75, 170, 64, 64, 187, 187, 65, 68, 4, 9, 152, 75, 155, 68, 187,  
185, 155, 154, 239, 64, 0, 187, 180, 137, 153, 139, 187, 185, 180, 11, 165, 75, 155,  
160, 37,  
75, 66, 250, 164, 166, 68, 128, 68, 180, 155, 74, 65, 105, 32, 130, 194, 11, 155, 187,  
64,  
2, 187, 146, 171, 176, 2, 252, 148, 180, 0, 11, 8, 185, 148, 43, 75, 73, 64, 178, 170,  
139, 144, 0, 37, 32, 75, 180, 176, 180, 73, 187, 176, 73, 144, 178, 68, 11, 155, 0, 73,  
41, 10, 40, 153, 155, 187, 187, 66, 34, 155, 144, 132, 169, 43, 64, 0, 186, 171, 155,  
176,  
11, 155, 155, 187, 155, 187, 180, 187, 188, 185, 185, 187, 187, 147, 169, 153, 169,  
187, 187, 43,  
73, 187, 187, 218, 187, 75, 187, 187, 155, 187, 187, 75, 177, 41, 187, 146, 75, 185,  
153, 155,  
180, 155, 33, 34, 42, 92, 204, 17, 252, 28, 85, 34, 153, 153, 153, 170, 199, 125, 169,  
154,  
9, 8, 11, 0, 128, 11, 8, 0, 8, 136, 0, 128, 139, 8, 176, 4, 75, 0, 128, 0,  
11, 0, 0, 176, 144, 185, 162, 187, 0, 187, 128, 0, 176, 176, 0, 128, 136, 176, 8, 158,  
192, 0, 64, 0, 136, 128, 139, 0, 176, 0, 11, 128, 8, 128, 128, 176, 8, 8, 137, 187,  
187, 176, 11, 176, 4, 0, 0, 4, 11, 176, 184, 6, 160, 8, 0, 8, 137, 66, 11, 91,  
32, 176, 0, 128, 0, 136, 176, 156, 176, 8, 172, 139, 11, 146, 9, 136, 11, 176, 0, 184,

8, 132, 8, 176, 152, 185, 160, 8, 137, 0, 64, 68, 128, 176, 136, 4, 153, 137, 0, 187,  
8, 176, 8, 176, 136, 0, 11, 64, 176, 8, 64, 144, 0, 0, 139, 136, 153, 128, 152, 148,  
75, 176, 128, 73, 176, 180, 193, 0, 139, 139, 0, 36, 11, 64, 2, 153, 144, 36, 176, 75,  
169, 42, 9, 32, 64, 4, 149, 155, 184, 137, 155, 146, 9, 64, 68, 73, 137, 68, 180, 215,  
169, 185, 152, 164, 132, 72, 146, 53, 36, 75, 36, 85, 21, 68, 128, 41, 9, 64, 160, 11,  
77, 192, 9, 185, 4, 178, 115, 148, 187, 11, 187, 148, 184, 185, 41, 153, 4, 0, 2, 73,  
176, 144, 0, 83, 82, 68, 165, 9, 36, 153, 132, 0, 72, 9, 128, 145, 73, 137, 4, 65,  
36, 5, 41, 146, 11, 187, 41, 180, 68, 187, 8, 176, 185, 153, 0, 11, 153, 169, 144, 187,  
187, 181, 187, 187, 187, 155, 185, 155, 182, 41, 153, 187, 187, 153, 10, 185, 180,  
74, 73, 155,  
169, 73, 185, 153, 153, 187, 75, 187, 187, 185, 180, 0, 9, 180, 187, 180, 187, 185,  
155, 187,  
180, 165, 36, 42, 197, 204, 193, 255, 28, 204, 197, 162, 153, 169, 41, 185, 172, 252,  
153, 133,  
176, 8, 0, 128, 11, 0, 0, 8, 128, 11, 0, 0, 0, 144, 176, 11, 128, 9, 155, 128,  
136, 0, 0, 136, 0, 8, 176, 8, 139, 176, 8, 132, 0, 8, 0, 0, 0, 128, 136, 132,  
11, 180, 11, 144, 0, 0, 128, 128, 11, 8, 0, 4, 8, 128, 176, 0, 128, 0, 152, 155,  
128, 176, 128, 180, 11, 11, 0, 176, 0, 0, 136, 136, 72, 136, 0, 128, 36, 8, 160, 248,  
9, 0, 152, 144, 8, 137, 176, 68, 11, 146, 119, 153, 136, 176, 0, 155, 0, 0, 136, 8,  
136, 132, 144, 185, 169, 180, 8, 11, 8, 4, 9, 72, 11, 0, 184, 0, 11, 9, 176, 91,  
176, 176, 0, 8, 0, 176, 176, 64, 0, 136, 8, 75, 8, 64, 8, 0, 187, 176, 75, 4,  
68, 0, 128, 9, 0, 11, 152, 128, 153, 75, 11, 185, 139, 11, 178, 184, 176, 180, 66, 187,  
75, 139, 64, 68, 11, 11, 11, 155, 75, 186, 139, 86, 4, 155, 153, 152, 153, 144, 37,  
243,  
168, 64, 136, 184, 148, 80, 180, 32, 245, 74, 0, 53, 68, 75, 41, 66, 64, 75, 130, 64,  
66, 180, 64, 139, 11, 74, 41, 144, 187, 11, 64, 0, 72, 11, 2, 155, 66, 75, 130, 67,  
25, 64, 185, 213, 68, 152, 36, 9, 73, 152, 187, 148, 170, 176, 144, 74, 180, 0, 148, 4,  
32, 8, 144, 176, 148, 64, 187, 187, 75, 153, 132, 64, 73, 137, 139, 187, 75, 187, 180,  
11,  
73, 150, 145, 75, 185, 245, 187, 187, 153, 186, 58, 187, 187, 41, 9, 41, 66, 253, 66,  
185,  
154, 43, 180, 73, 187, 155, 187, 185, 73, 187, 176, 8, 180, 176, 146, 75, 187, 155,  
64, 187,



73, 222, 169, 41, 90, 204, 255, 255, 31, 215, 250, 42, 41, 42, 75, 146, 154, 170, 169,  
187,  
8, 8, 128, 136, 0, 187, 128, 136, 128, 132, 0, 128, 176, 176, 0, 136, 0, 9, 137, 8,  
136, 139, 128, 152, 4, 0, 176, 139, 136, 11, 8, 0, 9, 11, 0, 128, 0, 8, 8, 11,  
0, 11, 0, 0, 9, 176, 128, 180, 180, 11, 139, 184, 136, 136, 187, 8, 128, 11, 40, 136,  
139, 11, 137, 4, 139, 185, 176, 128, 0, 184, 0, 0, 9, 0, 155, 185, 68, 2, 187, 64,  
144, 0, 72, 139, 64, 139, 176, 11, 11, 139, 170, 153, 153, 72, 0, 136, 139, 128, 176,  
0,  
0, 0, 0, 11, 152, 187, 0, 176, 64, 75, 180, 0, 184, 75, 153, 144, 11, 64, 136, 187,  
0, 64, 176, 146, 64, 180, 152, 8, 139, 64, 11, 64, 8, 11, 0, 11, 11, 4, 36, 144,  
185, 75, 11, 72, 139, 128, 128, 128, 11, 176, 176, 152, 0, 9, 128, 155, 176, 72, 0,  
185,  
114, 64, 11, 64, 73, 153, 88, 187, 4, 139, 137, 132, 152, 178, 153, 153, 68, 4, 68, 74,  
171, 34, 34, 75, 187, 8, 187, 41, 148, 36, 75, 148, 32, 2, 33, 34, 36, 170, 242, 176,  
41, 105, 36, 136, 137, 187, 11, 178, 32, 43, 176, 144, 64, 0, 4, 187, 176, 75, 148, 64,  
4, 73, 69, 18, 64, 185, 195, 36, 73, 180, 73, 178, 255, 187, 139, 0, 64, 132, 64, 64,  
153, 41, 75, 187, 148, 187, 169, 144, 153, 64, 11, 180, 168, 68, 11, 187, 187, 187,  
11, 187,  
187, 153, 180, 75, 92, 162, 187, 187, 180, 153, 148, 187, 9, 242, 0, 186, 203, 34,  
155, 155,  
153, 185, 180, 157, 155, 187, 153, 148, 153, 187, 180, 64, 10, 187, 185, 155, 181,  
75, 185, 185,  
153, 193, 169, 165, 92, 207, 255, 63, 252, 253, 202, 37, 90, 41, 73, 185, 153, 170,  
169, 187,  
0, 0, 0, 9, 0, 0, 4, 8, 136, 0, 0, 0, 11, 0, 8, 0, 184, 176, 0, 136,  
0, 10, 8, 187, 152, 128, 0, 136, 144, 0, 128, 4, 176, 11, 0, 0, 136, 8, 139, 0,  
9, 184, 64, 8, 75, 184, 11, 11, 8, 44, 200, 136, 152, 136, 4, 0, 128, 11, 153, 144,  
0, 136, 184, 187, 144, 139, 176, 176, 187, 73, 180, 128, 0, 128, 187, 176, 137, 11, 0,  
0,  
0, 128, 128, 136, 176, 139, 11, 11, 0, 11, 152, 155, 176, 176, 139, 171, 139, 137,  
176, 136,  
0, 8, 8, 187, 180, 4, 8, 11, 11, 176, 2, 139, 185, 139, 8, 139, 11, 128, 4, 137,  
148, 4, 136, 144, 4, 176, 11, 72, 176, 75, 187, 152, 9, 213, 176, 4, 176, 68, 9, 245,

11, 144, 178, 11, 0, 0, 184, 5, 68, 64, 8, 139, 64, 2, 4, 152, 139, 11, 176, 153,  
25, 148, 152, 164, 36, 180, 155, 0, 176, 68, 137, 176, 180, 11, 185, 73, 153, 32, 73,  
155,  
187, 68, 146, 194, 36, 185, 0, 41, 185, 176, 4, 36, 11, 11, 68, 68, 187, 253, 244, 176,  
41, 196, 56, 4, 68, 185, 180, 153, 164, 155, 180, 73, 75, 0, 176, 64, 73, 32, 132, 144,  
9, 155, 38, 32, 246, 11, 149, 153, 148, 130, 75, 73, 34, 185, 176, 10, 84, 4, 4, 0,  
75, 66, 43, 75, 242, 185, 64, 144, 155, 68, 153, 185, 155, 187, 180, 148, 187, 176,  
187, 187,  
187, 187, 75, 187, 153, 187, 185, 187, 178, 90, 180, 75, 176, 68, 75, 76, 57, 153,  
169, 153,  
155, 187, 180, 149, 171, 187, 155, 165, 75, 178, 75, 187, 11, 187, 180, 187, 153,  
155, 187, 153,  
185, 44, 90, 170, 204, 17, 255, 111, 255, 28, 165, 90, 194, 148, 155, 180, 187, 172,  
169, 73,  
176, 8, 0, 11, 4, 0, 128, 176, 8, 144, 8, 128, 0, 0, 136, 11, 0, 176, 0, 0,  
9, 137, 8, 176, 136, 128, 0, 139, 144, 128, 0, 180, 11, 0, 8, 176, 148, 8, 72, 0,  
73, 11, 0, 8, 139, 10, 153, 11, 153, 247, 236, 168, 137, 72, 11, 68, 0, 180, 136, 176,  
128, 128, 8, 139, 128, 136, 176, 187, 40, 139, 176, 136, 9, 248, 139, 0, 139, 0, 11, 0,  
139, 4, 176, 64, 176, 11, 0, 187, 0, 64, 184, 11, 187, 184, 176, 176, 128, 3, 36, 8,  
11, 11, 176, 144, 11, 68, 187, 75, 11, 73, 187, 176, 4, 178, 155, 0, 0, 8, 0, 153,  
176, 187, 187, 139, 184, 11, 11, 136, 4, 64, 89, 75, 184, 82, 11, 152, 139, 180, 180,  
148,  
0, 176, 75, 0, 64, 0, 68, 2, 32, 0, 184, 176, 75, 4, 64, 155, 155, 187, 4, 9,  
152, 73, 146, 58, 9, 180, 187, 11, 4, 73, 68, 43, 186, 155, 176, 155, 132, 72, 139, 11,  
64, 148, 173, 127, 34, 153, 4, 187, 187, 0, 148, 2, 139, 4, 148, 153, 185, 205, 128, 0,  
11, 11, 64, 66, 68, 187, 36, 187, 180, 187, 68, 139, 68, 187, 4, 0, 144, 68, 0, 176,  
128, 155, 178, 64, 73, 180, 2, 152, 11, 180, 41, 75, 187, 73, 36, 69, 52, 65, 75, 128,  
9, 75, 144, 187, 68, 148, 75, 185, 187, 185, 155, 184, 132, 9, 9, 64, 11, 184, 148,  
178,  
185, 185, 180, 75, 148, 153, 252, 152, 191, 57, 178, 75, 180, 75, 73, 187, 162, 42,  
155, 187,  
180, 144, 4, 75, 187, 187, 185, 42, 34, 162, 81, 187, 187, 73, 73, 187, 187, 187, 11,  
155,

155, 158, 108, 172, 92, 207, 255, 209, 197, 204, 202, 170, 42, 153, 153, 153, 185,  
172, 221, 195,  
0, 0, 11, 0, 176, 0, 9, 8, 11, 11, 136, 144, 136, 8, 0, 8, 176, 2, 176, 8,  
176, 128, 136, 64, 136, 0, 8, 184, 11, 136, 176, 176, 0, 187, 8, 11, 242, 0, 152, 0,  
8, 176, 4, 0, 11, 1, 171, 11, 137, 206, 250, 136, 136, 8, 128, 0, 9, 8, 180, 184,  
8, 139, 8, 139, 128, 139, 0, 176, 139, 184, 176, 8, 2, 58, 136, 136, 128, 0, 11, 187,  
176, 8, 4, 0, 11, 176, 136, 11, 4, 34, 75, 184, 184, 136, 8, 184, 0, 149, 176, 0,  
128, 139, 136, 176, 68, 4, 36, 184, 176, 4, 75, 11, 75, 12, 203, 176, 75, 149, 8, 184,  
0, 187, 176, 136, 187, 0, 136, 187, 187, 9, 75, 139, 9, 40, 64, 80, 176, 72, 185, 187,  
185, 64, 4, 75, 0, 75, 128, 0, 9, 4, 0, 11, 4, 144, 68, 73, 185, 187, 180, 184,  
4, 0, 8, 153, 184, 185, 187, 11, 0, 187, 162, 184, 176, 176, 178, 75, 180, 73, 68, 176,  
187, 137, 170, 213, 34, 32, 184, 128, 178, 68, 68, 132, 180, 64, 75, 153, 185, 137,  
148, 0,  
84, 180, 68, 66, 66, 73, 196, 28, 65, 36, 75, 128, 64, 75, 187, 176, 180, 68, 68, 139,  
187, 185, 66, 0, 64, 73, 155, 128, 64, 185, 41, 68, 8, 180, 64, 68, 37, 38, 73, 136,  
72, 11, 144, 128, 176, 180, 4, 148, 155, 73, 137, 137, 132, 64, 137, 180, 187, 0, 185,  
187,  
187, 187, 153, 155, 185, 186, 125, 153, 137, 162, 180, 68, 171, 75, 180, 75, 187, 36,  
187, 185,  
180, 187, 176, 11, 73, 155, 185, 150, 98, 20, 205, 68, 148, 146, 36, 68, 180, 180,  
185, 153,  
153, 76, 172, 204, 92, 246, 241, 204, 28, 90, 90, 37, 153, 148, 185, 180, 155, 154,  
172, 154,  
0, 0, 8, 128, 0, 8, 136, 0, 8, 0, 0, 136, 9, 139, 0, 11, 184, 0, 184, 176,  
0, 128, 132, 0, 144, 0, 128, 176, 8, 132, 8, 132, 184, 11, 137, 176, 36, 68, 139, 128,  
128, 0, 11, 187, 8, 176, 75, 176, 139, 154, 169, 136, 0, 128, 136, 0, 4, 128, 137, 0,  
152, 128, 153, 136, 9, 176, 64, 68, 139, 0, 0, 0, 136, 169, 0, 152, 0, 0, 180, 64,  
0, 64, 68, 11, 176, 0, 136, 0, 132, 252, 8, 64, 0, 144, 8, 139, 8, 11, 136, 136,  
187, 184, 11, 176, 187, 9, 106, 184, 11, 8, 11, 0, 187, 64, 0, 0, 187, 73, 75, 136,  
128, 187, 0, 137, 4, 187, 137, 144, 0, 187, 144, 0, 128, 185, 0, 20, 4, 9, 4, 153,  
187, 187, 176, 72, 176, 75, 176, 180, 153, 197, 82, 0, 180, 132, 139, 144, 202, 100,  
11, 0,

11, 75, 180, 154, 168, 148, 64, 0, 0, 187, 132, 187, 139, 0, 180, 75, 130, 180, 36,  
178,  
185, 72, 138, 197, 155, 4, 178, 75, 144, 36, 0, 75, 34, 0, 68, 40, 187, 150, 32, 66,  
196, 68, 75, 68, 152, 187, 8, 196, 153, 68, 148, 155, 64, 75, 185, 75, 0, 4, 11, 144,  
136, 136, 68, 64, 64, 0, 68, 0, 187, 0, 0, 4, 187, 184, 187, 0, 73, 73, 4, 184,  
0, 152, 0, 176, 8, 72, 2, 75, 185, 159, 169, 153, 130, 64, 91, 187, 185, 11, 187, 139,  
187, 155, 180, 187, 180, 153, 170, 152, 75, 64, 187, 180, 185, 169, 180, 155, 187,  
187, 11, 171,  
146, 75, 187, 155, 155, 75, 187, 166, 52, 75, 75, 75, 185, 221, 36, 153, 148, 155,  
187, 146,  
42, 37, 170, 170, 90, 207, 204, 204, 85, 204, 82, 170, 153, 75, 178, 249, 68, 154, 41,  
153,  
8, 0, 10, 128, 0, 8, 8, 152, 139, 11, 11, 176, 0, 139, 136, 0, 11, 180, 176, 136,  
0, 8, 11, 136, 128, 8, 128, 185, 0, 187, 144, 128, 0, 0, 8, 4, 0, 9, 75, 184,  
128, 0, 64, 0, 176, 0, 0, 128, 0, 137, 137, 137, 8, 0, 8, 0, 64, 4, 180, 144,  
136, 187, 136, 176, 0, 8, 43, 8, 176, 176, 9, 0, 8, 8, 11, 187, 64, 128, 8, 187,  
176, 0, 68, 11, 9, 0, 176, 136, 132, 144, 72, 187, 176, 155, 0, 0, 144, 8, 0, 184,  
176, 4, 11, 136, 187, 184, 169, 185, 187, 40, 64, 8, 187, 176, 176, 8, 184, 128, 146,  
11,  
0, 187, 64, 4, 185, 144, 187, 187, 155, 8, 155, 8, 137, 163, 152, 6, 68, 0, 187, 68,  
44, 187, 0, 148, 75, 0, 136, 184, 185, 44, 32, 0, 11, 185, 32, 37, 220, 225, 64, 0,  
9, 137, 185, 153, 152, 180, 68, 0, 187, 139, 180, 187, 180, 187, 69, 133, 75, 188,  
107, 4,  
66, 153, 172, 169, 176, 68, 187, 0, 36, 84, 66, 75, 17, 68, 155, 40, 155, 128, 34, 11,  
36, 4, 187, 11, 153, 10, 132, 136, 176, 66, 171, 180, 178, 187, 180, 187, 64, 64, 187,  
27,  
34, 187, 180, 196, 180, 2, 0, 75, 11, 187, 11, 5, 64, 187, 11, 68, 41, 73, 72, 187,  
153, 152, 75, 9, 139, 185, 132, 64, 187, 150, 169, 155, 68, 0, 25, 137, 91, 139, 155,  
180,  
75, 178, 187, 75, 180, 187, 152, 137, 9, 0, 4, 187, 186, 68, 185, 148, 187, 64, 138,  
107,  
187, 176, 187, 187, 68, 164, 180, 148, 36, 153, 155, 75, 185, 238, 169, 153, 187,  
187, 155, 146,

178, 34, 170, 165, 170, 165, 92, 194, 170, 165, 165, 82, 153, 153, 153, 98, 187, 153,  
146, 153,  
176, 0, 0, 0, 0, 128, 0, 136, 8, 0, 11, 176, 139, 144, 8, 187, 136, 0, 8, 176,  
9, 128, 0, 0, 136, 139, 11, 0, 64, 184, 0, 176, 128, 176, 136, 0, 8, 184, 152, 0,  
128, 8, 0, 176, 184, 0, 176, 128, 8, 152, 136, 136, 176, 4, 72, 0, 0, 128, 137, 64,  
0, 0, 64, 176, 176, 0, 0, 8, 136, 8, 8, 8, 0, 0, 40, 136, 187, 136, 0, 11,  
0, 185, 180, 4, 64, 8, 8, 155, 185, 153, 128, 128, 9, 139, 4, 184, 8, 128, 136, 137,  
0, 0, 0, 0, 8, 136, 137, 0, 66, 139, 11, 185, 139, 8, 72, 184, 152, 165, 180, 176,  
0, 185, 176, 176, 153, 27, 187, 8, 153, 153, 176, 144, 184, 180, 36, 37, 43, 4, 64,  
187,  
168, 180, 176, 176, 4, 36, 75, 187, 11, 246, 148, 180, 0, 185, 98, 16, 75, 36, 64, 0,  
137, 8, 148, 176, 153, 176, 4, 75, 69, 187, 11, 9, 64, 180, 155, 65, 153, 65, 20, 68,  
68, 73, 172, 153, 68, 11, 187, 2, 84, 148, 65, 75, 82, 68, 73, 180, 152, 176, 0, 9,  
0, 11, 176, 132, 184, 45, 162, 128, 176, 34, 66, 152, 68, 64, 75, 185, 148, 162, 68,  
68,  
73, 180, 9, 144, 84, 178, 9, 138, 72, 137, 180, 73, 75, 4, 64, 4, 68, 155, 152, 178,  
128, 187, 11, 10, 169, 138, 152, 65, 178, 155, 153, 155, 148, 4, 154, 164, 64, 73, 75,  
187,  
75, 176, 75, 68, 11, 178, 187, 73, 9, 0, 64, 180, 166, 176, 187, 25, 155, 176, 186,  
155,  
180, 187, 180, 187, 68, 42, 180, 187, 180, 185, 164, 187, 186, 169, 153, 148, 180,  
146, 75, 66,  
148, 36, 178, 92, 170, 170, 162, 34, 37, 170, 37, 194, 153, 153, 187, 153, 187, 73,  
44, 41,  
144, 8, 176, 136, 0, 0, 184, 11, 0, 139, 0, 8, 8, 184, 136, 136, 184, 8, 11, 0,  
144, 128, 8, 128, 0, 0, 9, 0, 11, 136, 11, 32, 0, 9, 0, 8, 9, 11, 152, 152,  
130, 139, 64, 132, 185, 152, 0, 0, 136, 8, 40, 128, 0, 184, 144, 72, 187, 152, 11, 4,  
0, 8, 32, 8, 0, 0, 8, 153, 138, 136, 128, 0, 132, 0, 0, 137, 0, 128, 0, 11,  
0, 0, 4, 1, 27, 152, 0, 136, 9, 128, 176, 139, 0, 9, 176, 128, 128, 8, 184, 8,  
0, 130, 75, 64, 8, 184, 187, 180, 184, 180, 4, 4, 176, 0, 187, 88, 2, 97, 187, 187,  
187, 64, 139, 8, 2, 0, 0, 64, 14, 212, 180, 11, 187, 148, 0, 64, 9, 144, 128, 176,  
75, 11, 0, 187, 180, 4, 185, 148, 11, 139, 176, 11, 4, 180, 36, 9, 68, 11, 137, 144,

176, 180, 155, 187, 148, 4, 4, 73, 169, 187, 187, 38, 91, 180, 65, 32, 138, 137, 64,  
68,  
8, 72, 168, 155, 68, 180, 176, 73, 36, 144, 4, 176, 171, 176, 184, 187, 184, 73, 68,  
11,  
137, 0, 180, 64, 152, 148, 146, 153, 136, 155, 185, 139, 187, 68, 36, 191, 154, 75,  
176, 65,  
68, 64, 75, 68, 148, 176, 68, 83, 132, 75, 9, 40, 160, 0, 37, 10, 52, 152, 201, 186,  
136, 180, 144, 72, 152, 144, 136, 150, 34, 187, 241, 73, 180, 185, 157, 64, 152, 185,  
187, 128,  
155, 75, 180, 75, 9, 207, 154, 218, 0, 4, 68, 185, 36, 75, 187, 68, 65, 155, 176, 180,  
68, 36, 68, 136, 148, 162, 180, 187, 68, 172, 154, 187, 185, 42, 172, 41, 155, 187,  
187, 153,  
153, 34, 43, 207, 170, 170, 162, 170, 42, 146, 155, 73, 155, 187, 187, 153, 154, 193,  
202, 153,  
73, 0, 4, 8, 0, 0, 128, 187, 0, 128, 8, 128, 11, 8, 136, 132, 136, 128, 155, 136,  
153, 128, 8, 0, 0, 128, 64, 140, 105, 0, 8, 8, 139, 136, 0, 0, 8, 0, 137, 137,  
8, 137, 128, 128, 139, 0, 144, 0, 11, 72, 75, 8, 180, 75, 176, 136, 8, 0, 187, 144,  
0, 176, 145, 11, 11, 0, 136, 72, 131, 169, 144, 0, 139, 0, 64, 3, 75, 0, 136, 0,  
139, 136, 180, 128, 144, 144, 128, 155, 65, 0, 184, 176, 0, 187, 184, 176, 0, 132,  
184, 144,  
8, 41, 5, 184, 185, 176, 185, 139, 9, 144, 144, 128, 64, 0, 0, 153, 137, 153, 176, 0,  
0, 75, 68, 32, 144, 176, 0, 187, 9, 36, 8, 144, 11, 139, 0, 0, 73, 176, 137, 146,  
50, 43, 68, 139, 180, 2, 64, 46, 32, 187, 187, 0, 64, 180, 73, 144, 0, 185, 186, 25,  
180, 4, 180, 148, 128, 11, 8, 155, 8, 11, 139, 149, 75, 11, 69, 148, 4, 69, 21, 34,  
66, 75, 187, 155, 176, 0, 11, 40, 64, 64, 155, 155, 187, 176, 148, 84, 132, 174, 68,  
68,  
69, 64, 68, 180, 136, 187, 68, 9, 77, 244, 75, 139, 0, 180, 20, 64, 180, 176, 0, 0,  
4, 155, 187, 176, 68, 66, 153, 180, 74, 68, 185, 68, 66, 68, 0, 4, 89, 72, 172, 11,  
137, 242, 8, 139, 152, 137, 153, 185, 73, 11, 154, 68, 176, 8, 136, 75, 187, 73, 153,  
184,  
9, 128, 180, 187, 187, 42, 156, 234, 64, 139, 148, 171, 185, 148, 180, 187, 154, 144,  
176, 11,

180, 68, 187, 148, 152, 178, 84, 187, 185, 170, 145, 153, 36, 187, 193, 245, 187,  
187, 180, 73,  
185, 68, 66, 146, 41, 162, 42, 73, 169, 41, 41, 187, 148, 187, 68, 146, 205, 193, 169,  
185,  
8, 8, 11, 184, 0, 8, 136, 11, 128, 0, 153, 8, 0, 128, 64, 184, 184, 0, 184, 8,  
144, 136, 0, 0, 0, 9, 128, 178, 40, 180, 8, 0, 139, 136, 128, 128, 9, 128, 8, 128,  
64, 136, 176, 0, 144, 8, 136, 136, 139, 187, 0, 0, 180, 0, 0, 8, 8, 155, 128, 185,  
64, 11, 153, 0, 0, 178, 136, 8, 136, 139, 128, 9, 8, 11, 136, 176, 176, 8, 0, 132,  
184, 0, 176, 0, 11, 0, 64, 187, 180, 176, 187, 0, 139, 11, 2, 32, 8, 136, 4, 0,  
187, 37, 38, 139, 136, 8, 11, 11, 0, 11, 11, 176, 11, 144, 0, 137, 139, 153, 144, 180,  
187, 139, 2, 171, 0, 75, 4, 68, 180, 73, 139, 128, 187, 176, 132, 155, 148, 75, 11,  
185,  
68, 32, 176, 176, 0, 36, 4, 66, 0, 66, 0, 0, 130, 152, 128, 8, 187, 185, 138, 169,  
180, 153, 11, 4, 75, 187, 11, 187, 0, 184, 68, 68, 153, 144, 64, 9, 244, 38, 202, 73,  
180, 75, 11, 144, 9, 177, 66, 32, 11, 4, 186, 41, 68, 128, 185, 64, 0, 149, 0, 84,  
68, 64, 11, 180, 132, 137, 4, 69, 46, 226, 197, 43, 185, 180, 64, 176, 176, 137, 144,  
144,  
75, 68, 36, 69, 36, 153, 239, 64, 64, 148, 34, 36, 66, 68, 68, 75, 72, 185, 155, 5,  
91, 41, 139, 154, 8, 153, 152, 155, 187, 73, 84, 187, 176, 184, 139, 189, 43, 180,  
137, 155,  
139, 139, 153, 187, 155, 187, 186, 146, 18, 148, 164, 43, 111, 171, 73, 178, 187,  
180, 185, 154,  
153, 74, 85, 146, 148, 87, 82, 187, 73, 11, 146, 180, 185, 154, 37, 250, 187, 187,  
153, 178,  
169, 73, 73, 36, 153, 153, 153, 155, 185, 73, 153, 187, 187, 187, 180, 76, 250, 170,  
153, 187,  
0, 0, 0, 0, 9, 8, 11, 128, 8, 0, 11, 128, 136, 64, 64, 128, 139, 176, 184, 128,  
0, 0, 8, 8, 0, 139, 64, 75, 75, 152, 144, 0, 11, 8, 8, 139, 72, 8, 152, 176,  
187, 187, 128, 136, 128, 8, 0, 128, 136, 144, 11, 187, 4, 180, 64, 8, 11, 184, 72, 168,  
11, 128, 136, 8, 0, 0, 0, 0, 152, 176, 137, 139, 180, 11, 8, 187, 11, 0, 176, 0,  
0, 132, 0, 176, 176, 0, 0, 139, 11, 144, 176, 176, 8, 137, 64, 8, 187, 11, 0, 64,  
132, 4, 11, 187, 64, 132, 128, 0, 0, 128, 0, 139, 8, 176, 8, 176, 11, 144, 184, 11,  
137, 139, 64, 8, 4, 4, 0, 184, 187, 9, 137, 187, 11, 180, 0, 184, 75, 11, 0, 137,

4, 180, 180, 146, 64, 5, 73, 148, 66, 97, 11, 4, 184, 153, 214, 139, 8, 152, 155, 148,  
4, 152, 68, 68, 32, 16, 4, 187, 176, 187, 68, 4, 249, 180, 180, 4, 98, 68, 36, 73,  
75, 64, 64, 128, 145, 68, 4, 66, 184, 139, 66, 187, 180, 176, 139, 176, 176, 66, 178,  
84,  
180, 64, 187, 155, 155, 152, 4, 41, 76, 172, 202, 155, 187, 68, 64, 176, 171, 180, 68,  
36,  
64, 36, 4, 178, 64, 178, 223, 148, 180, 133, 222, 98, 36, 68, 0, 185, 11, 9, 75, 185,  
9, 26, 185, 148, 75, 139, 153, 69, 185, 84, 171, 155, 187, 68, 132, 178, 144, 9, 153,  
171,  
139, 185, 153, 149, 89, 187, 73, 187, 36, 185, 9, 68, 146, 17, 75, 148, 148, 178, 146,  
186,  
204, 169, 144, 145, 41, 161, 36, 11, 187, 187, 155, 68, 185, 178, 66, 41, 155, 68,  
153, 155,  
153, 148, 66, 73, 153, 153, 153, 153, 155, 148, 155, 68, 180, 180, 153, 162, 106,  
187, 41, 176,  
0, 0, 0, 128, 128, 128, 8, 0, 0, 64, 73, 137, 11, 0, 136, 152, 128, 0, 0, 128,  
136, 0, 128, 136, 155, 69, 152, 176, 8, 176, 136, 136, 139, 11, 128, 136, 176, 4, 137,  
249,  
176, 9, 0, 136, 128, 128, 0, 128, 8, 136, 176, 9, 146, 4, 4, 176, 128, 64, 136, 128,  
75, 0, 8, 11, 184, 128, 136, 184, 128, 8, 0, 136, 176, 136, 11, 8, 137, 0, 139, 8,  
128, 187, 0, 176, 4, 4, 68, 11, 73, 184, 187, 4, 128, 128, 132, 0, 128, 176, 0, 153,  
0, 128, 184, 0, 9, 172, 155, 64, 4, 152, 155, 10, 64, 176, 0, 152, 0, 146, 41, 152,  
153, 139, 187, 0, 68, 64, 0, 139, 0, 136, 137, 0, 0, 139, 73, 187, 176, 8, 180, 66,  
4, 38, 24, 132, 68, 2, 11, 187, 68, 148, 75, 0, 146, 152, 42, 185, 8, 152, 180, 149,  
75, 152, 132, 73, 75, 32, 4, 8, 176, 4, 155, 66, 0, 0, 0, 8, 176, 197, 187, 132,  
20, 70, 21, 9, 34, 84, 66, 84, 5, 213, 187, 64, 36, 75, 132, 144, 68, 181, 34, 36,  
176, 4, 187, 17, 176, 187, 41, 148, 185, 173, 127, 168, 187, 68, 4, 180, 155, 177, 18,  
82,  
64, 75, 187, 155, 64, 0, 41, 4, 75, 154, 215, 53, 68, 64, 4, 33, 43, 187, 187, 178,  
132, 186, 170, 164, 43, 9, 40, 155, 180, 75, 75, 180, 155, 185, 4, 180, 180, 153, 137,  
169,  
11, 43, 187, 187, 17, 75, 180, 187, 187, 187, 187, 176, 148, 38, 75, 155, 162, 178,  
68, 154,



215, 218, 148, 148, 84, 66, 75, 75, 68, 187, 185, 188, 25, 155, 187, 187, 187, 73,  
171, 187,  
180, 180, 180, 187, 75, 75, 153, 155, 73, 185, 34, 187, 180, 180, 153, 162, 155, 187,  
185, 187,  
155, 8, 187, 155, 128, 8, 144, 139, 0, 4, 136, 139, 105, 8, 176, 128, 0, 144, 128, 0,  
8, 0, 128, 8, 166, 9, 136, 11, 132, 0, 8, 137, 176, 128, 8, 0, 11, 185, 153, 125,  
185, 152, 137, 139, 8, 128, 8, 136, 187, 187, 128, 152, 144, 4, 75, 0, 128, 136, 139,  
128,  
75, 0, 11, 8, 139, 144, 0, 9, 128, 0, 136, 136, 11, 8, 0, 64, 75, 0, 137, 176,  
139, 0, 187, 0, 180, 64, 68, 75, 11, 176, 176, 0, 0, 9, 11, 176, 11, 0, 184, 176,  
136, 8, 192, 9, 4, 204, 68, 4, 4, 187, 139, 5, 32, 136, 187, 0, 133, 158, 248, 168,  
136, 40, 187, 73, 176, 4, 68, 75, 4, 73, 180, 11, 176, 4, 176, 176, 11, 185, 144, 176,  
10, 102, 88, 137, 187, 4, 72, 4, 64, 178, 11, 4, 73, 187, 180, 144, 156, 144, 136, 149,  
8, 137, 176, 176, 32, 64, 187, 153, 180, 11, 68, 42, 73, 187, 68, 11, 0, 66, 11, 178,  
68, 76, 178, 82, 75, 5, 69, 84, 74, 41, 2, 34, 36, 144, 185, 20, 100, 180, 169, 187,  
139, 66, 187, 154, 148, 187, 4, 155, 75, 174, 236, 169, 155, 153, 148, 68, 176, 73,  
68, 36,  
4, 178, 203, 4, 176, 4, 178, 244, 176, 148, 30, 98, 34, 68, 4, 66, 132, 68, 185, 157,  
43, 156, 250, 89, 37, 36, 148, 153, 144, 73, 187, 43, 155, 187, 180, 187, 177, 52,  
187, 187,  
153, 75, 155, 180, 149, 187, 155, 187, 146, 36, 155, 187, 68, 180, 75, 180, 187, 148,  
34, 204,  
215, 234, 153, 66, 36, 75, 187, 36, 36, 187, 187, 170, 169, 169, 187, 155, 75, 185,  
155, 187,  
73, 187, 187, 187, 187, 187, 187, 187, 75, 185, 187, 187, 187, 187, 153, 155, 155,  
73, 185, 187,  
144, 9, 0, 128, 139, 0, 128, 0, 137, 145, 136, 0, 168, 144, 0, 0, 32, 136, 8, 0,  
0, 137, 0, 0, 148, 8, 139, 0, 0, 0, 11, 136, 176, 176, 0, 185, 128, 11, 136, 169,  
128, 8, 186, 130, 184, 128, 11, 184, 144, 155, 0, 8, 0, 0, 176, 184, 128, 185, 184, 4,  
4, 11, 176, 0, 9, 0, 8, 8, 0, 176, 128, 176, 176, 0, 0, 75, 64, 72, 148, 0,  
8, 0, 139, 0, 136, 188, 36, 75, 185, 184, 8, 184, 184, 187, 0, 72, 0, 0, 128, 128,  
139, 128, 36, 184, 0, 137, 36, 36, 187, 187, 139, 0, 2, 0, 0, 184, 176, 12, 168, 152,  
11, 37, 176, 64, 176, 0, 4, 0, 180, 8, 184, 12, 84, 11, 180, 155, 21, 64, 187, 144,

11, 66, 191, 153, 187, 11, 132, 9, 184, 75, 155, 11, 180, 178, 176, 0, 170, 152, 9,  
180,  
137, 153, 148, 187, 64, 75, 155, 187, 11, 68, 185, 130, 75, 41, 4, 75, 128, 64, 187,  
180,  
176, 34, 38, 34, 0, 9, 4, 36, 148, 144, 9, 176, 75, 152, 176, 4, 162, 4, 43, 139,  
11, 180, 32, 10, 187, 11, 72, 187, 187, 138, 168, 153, 164, 74, 162, 69, 75, 11, 82,  
187,  
36, 73, 34, 64, 43, 137, 148, 194, 180, 178, 37, 34, 36, 75, 64, 68, 180, 201, 187,  
241,  
88, 157, 53, 73, 33, 214, 148, 178, 194, 68, 11, 75, 187, 153, 155, 187, 145, 244,  
187, 187,  
187, 17, 152, 187, 68, 187, 68, 153, 187, 185, 187, 187, 187, 180, 0, 178, 75, 85, 41,  
221,  
207, 201, 68, 37, 43, 11, 184, 180, 34, 187, 11, 187, 185, 187, 187, 187, 11, 187, 68,  
171,  
68, 153, 176, 155, 187, 187, 187, 9, 187, 68, 73, 187, 185, 187, 75, 153, 155, 153,  
155, 75,  
128, 0, 4, 0, 176, 9, 139, 128, 128, 139, 139, 0, 144, 0, 8, 0, 64, 176, 0, 64,  
8, 11, 128, 8, 0, 128, 0, 0, 4, 0, 176, 200, 187, 4, 176, 128, 0, 8, 136, 152,  
184, 184, 176, 132, 0, 0, 8, 153, 136, 176, 8, 64, 0, 144, 132, 8, 0, 184, 137, 132,  
68, 64, 0, 8, 8, 0, 64, 144, 136, 8, 8, 159, 160, 176, 4, 0, 0, 187, 184, 89,  
128, 139, 139, 64, 75, 151, 107, 185, 32, 0, 137, 176, 73, 144, 176, 187, 8, 0, 11, 0,  
184, 89, 185, 155, 9, 152, 68, 37, 68, 185, 11, 139, 150, 64, 0, 152, 139, 11, 136,  
139,  
136, 169, 176, 11, 187, 4, 64, 64, 4, 176, 80, 2, 43, 176, 132, 66, 204, 8, 136, 72,  
153, 75, 158, 249, 9, 178, 187, 4, 187, 180, 187, 68, 187, 187, 171, 176, 4, 171, 64,  
2,  
4, 152, 162, 73, 152, 180, 75, 75, 64, 66, 68, 73, 139, 132, 180, 72, 0, 73, 66, 84,  
187, 187, 34, 85, 36, 64, 64, 68, 176, 180, 136, 11, 11, 184, 11, 84, 4, 68, 37, 136,  
187, 4, 178, 178, 68, 68, 64, 11, 36, 153, 153, 137, 184, 153, 66, 34, 36, 64, 165,  
148,  
32, 4, 164, 9, 68, 187, 73, 68, 176, 68, 68, 81, 68, 66, 80, 180, 9, 136, 180, 51,  
220, 178, 137, 41, 162, 172, 168, 33, 118, 84, 68, 4, 73, 73, 187, 11, 9, 75, 184, 11,

187, 66, 146, 169, 9, 185, 187, 187, 187, 0, 185, 144, 176, 155, 137, 75, 36, 159,  
187, 162,  
170, 169, 153, 177, 36, 187, 144, 75, 75, 176, 187, 148, 153, 155, 4, 187, 185, 187,  
188, 114,  
41, 187, 8, 155, 75, 187, 187, 187, 187, 187, 188, 91, 187, 75, 187, 187, 76, 100,  
187, 180,  
128, 8, 176, 176, 0, 184, 136, 4, 187, 0, 0, 185, 137, 136, 8, 130, 0, 8, 128, 0,  
128, 64, 0, 8, 0, 139, 8, 0, 11, 0, 64, 136, 153, 144, 11, 136, 8, 152, 137, 136,  
139, 0, 8, 0, 64, 0, 0, 178, 64, 128, 8, 180, 0, 0, 72, 185, 128, 128, 184, 29,  
80, 0, 9, 0, 0, 128, 0, 0, 0, 0, 75, 190, 160, 160, 64, 152, 128, 4, 187, 128,  
37, 64, 75, 68, 64, 185, 155, 185, 64, 0, 75, 176, 176, 184, 72, 176, 168, 144, 0, 8,  
185, 84, 72, 64, 187, 132, 186, 99, 21, 68, 176, 139, 148, 64, 8, 128, 0, 64, 152, 9,  
153, 73, 0, 11, 0, 8, 8, 11, 185, 0, 128, 4, 64, 0, 11, 81, 144, 144, 148, 176,  
153, 148, 153, 75, 1, 0, 0, 68, 75, 180, 75, 41, 187, 186, 42, 4, 41, 146, 75, 178,  
32, 139, 187, 137, 153, 155, 68, 180, 75, 180, 36, 171, 136, 184, 75, 11, 176, 64,  
178, 4,  
75, 180, 153, 32, 68, 68, 185, 169, 187, 8, 136, 185, 11, 4, 64, 188, 68, 68, 85, 137,  
75, 4, 137, 79, 105, 178, 68, 68, 18, 2, 43, 64, 137, 153, 36, 36, 68, 68, 172, 132,  
9, 153, 80, 68, 176, 0, 73, 152, 132, 2, 2, 103, 36, 69, 52, 180, 200, 153, 4, 154,  
164, 154, 137, 8, 132, 153, 8, 33, 115, 84, 75, 81, 36, 36, 153, 75, 185, 64, 0, 187,  
144, 137, 153, 89, 178, 41, 187, 187, 0, 155, 74, 176, 187, 91, 185, 73, 74, 223, 155,  
68,  
155, 9, 153, 68, 75, 64, 11, 155, 180, 187, 187, 187, 187, 187, 180, 68, 68, 180, 186,  
165,  
153, 187, 185, 139, 75, 187, 75, 187, 187, 180, 68, 75, 9, 75, 73, 187, 186, 91, 185,  
187,  
132, 9, 128, 187, 176, 10, 139, 155, 137, 9, 105, 0, 184, 139, 137, 68, 68, 148, 64, 8,  
148, 0, 8, 0, 0, 128, 128, 0, 4, 0, 32, 0, 64, 8, 11, 148, 176, 175, 134, 153,  
136, 72, 128, 72, 128, 0, 0, 0, 64, 184, 64, 176, 184, 0, 133, 144, 0, 0, 130, 99,  
32, 11, 8, 0, 136, 136, 152, 9, 128, 137, 144, 194, 69, 0, 0, 11, 75, 176, 176, 187,  
11, 155, 0, 185, 90, 137, 136, 184, 9, 0, 176, 185, 139, 8, 132, 178, 63, 144, 128, 8,  
8, 128, 148, 75, 128, 176, 76, 119, 101, 32, 153, 148, 66, 64, 64, 64, 0, 11, 136, 153,  
152, 156, 32, 0, 180, 72, 68, 4, 0, 130, 152, 144, 2, 75, 0, 4, 185, 56, 184, 4,

64, 64, 144, 153, 148, 64, 9, 69, 153, 75, 176, 180, 4, 64, 159, 27, 169, 164, 0, 11,  
36, 73, 148, 187, 152, 128, 187, 139, 4, 11, 75, 176, 187, 4, 180, 75, 136, 164, 36,  
43,  
43, 0, 176, 36, 11, 144, 0, 10, 57, 185, 148, 4, 148, 64, 72, 181, 34, 34, 16, 177,  
34, 75, 187, 76, 249, 149, 100, 68, 4, 0, 180, 84, 41, 139, 68, 84, 36, 185, 184, 8,  
169, 4, 4, 37, 84, 4, 2, 89, 139, 176, 146, 69, 68, 81, 16, 176, 2, 139, 153, 153,  
152, 252, 136, 11, 68, 130, 88, 153, 82, 43, 68, 178, 148, 242, 255, 73, 164, 187,  
180, 75,  
187, 41, 146, 68, 178, 171, 9, 155, 9, 180, 69, 155, 145, 164, 68, 74, 156, 125, 169,  
180,  
153, 184, 178, 18, 187, 64, 9, 138, 152, 180, 75, 187, 187, 185, 155, 156, 91, 187,  
187, 148,  
155, 187, 187, 176, 155, 187, 187, 155, 178, 146, 36, 176, 188, 75, 185, 153, 68, 73,  
155, 187,  
64, 8, 128, 184, 132, 136, 176, 32, 0, 9, 192, 185, 160, 11, 136, 68, 64, 128, 0, 8,  
128, 11, 136, 136, 155, 128, 152, 0, 0, 176, 0, 176, 0, 0, 8, 155, 11, 9, 153, 184,  
187, 139, 176, 154, 185, 176, 0, 0, 8, 176, 201, 176, 0, 136, 128, 0, 0, 0, 0, 130,  
64, 0, 8, 0, 0, 0, 0, 11, 128, 0, 187, 165, 136, 8, 176, 136, 8, 0, 187, 187,  
43, 136, 0, 176, 9, 136, 11, 11, 0, 128, 176, 184, 144, 64, 187, 184, 169, 152, 184, 0,  
128, 180, 0, 176, 0, 0, 186, 22, 18, 0, 139, 155, 187, 176, 176, 0, 148, 73, 145, 152,  
180, 173, 240, 0, 144, 11, 0, 68, 0, 132, 72, 155, 68, 4, 180, 132, 155, 139, 11, 4,  
180, 73, 187, 11, 180, 9, 185, 184, 169, 148, 8, 185, 34, 75, 154, 36, 164, 0, 4, 128,  
68, 72, 184, 146, 168, 139, 187, 128, 64, 4, 0, 136, 148, 75, 132, 11, 8, 66, 18, 180,  
68, 32, 148, 21, 74, 187, 176, 133, 89, 137, 36, 4, 75, 9, 152, 153, 148, 18, 84, 180,  
68, 75, 36, 154, 41, 185, 82, 68, 0, 4, 75, 37, 43, 144, 32, 64, 21, 178, 139, 73,  
178, 153, 72, 178, 36, 9, 182, 88, 144, 75, 68, 34, 68, 68, 68, 68, 36, 187, 185, 137,  
137, 227, 146, 36, 66, 4, 144, 150, 114, 75, 64, 187, 144, 73, 43, 41, 187, 176, 148,  
155,  
185, 155, 146, 180, 68, 155, 185, 11, 187, 181, 169, 185, 177, 176, 68, 75, 185, 202,  
105, 75,  
180, 185, 9, 42, 153, 153, 72, 153, 178, 64, 180, 91, 187, 176, 187, 186, 153, 155,  
185, 185,

187, 187, 185, 148, 187, 11, 176, 185, 34, 153, 185, 187, 5, 73, 187, 187, 187, 153,  
187, 187,  
153, 4, 11, 0, 136, 8, 0, 8, 176, 185, 155, 186, 176, 139, 8, 176, 0, 176, 0, 139,  
8, 187, 8, 128, 176, 185, 177, 128, 180, 136, 128, 136, 144, 0, 184, 32, 176, 75, 8,  
137,  
0, 136, 181, 152, 255, 160, 184, 11, 42, 66, 217, 0, 0, 0, 128, 75, 0, 0, 128, 139,  
64, 176, 8, 136, 136, 139, 11, 0, 128, 144, 0, 176, 128, 0, 8, 184, 11, 8, 176, 176,  
176, 187, 176, 128, 64, 184, 75, 176, 128, 0, 0, 8, 0, 132, 0, 176, 73, 153, 128, 0,  
133, 75, 0, 187, 176, 187, 153, 37, 66, 64, 144, 176, 75, 176, 11, 160, 180, 4, 10,  
187,  
139, 178, 75, 64, 75, 65, 84, 11, 139, 11, 138, 73, 137, 148, 0, 176, 155, 187, 148,  
138,  
0, 4, 11, 75, 0, 4, 152, 148, 153, 137, 153, 187, 68, 75, 139, 206, 36, 9, 4, 176,  
2, 202, 72, 199, 249, 132, 8, 136, 144, 0, 0, 2, 174, 36, 180, 180, 66, 32, 68, 64,  
68, 34, 37, 36, 64, 8, 176, 144, 68, 68, 32, 72, 187, 153, 148, 41, 66, 73, 36, 180,  
68, 34, 66, 42, 169, 146, 155, 64, 68, 64, 178, 146, 207, 84, 75, 4, 146, 148, 64, 187,  
134, 25, 10, 53, 64, 0, 145, 41, 160, 187, 42, 211, 36, 187, 34, 68, 180, 68, 187, 187,  
155, 170, 187, 64, 153, 132, 4, 79, 242, 72, 185, 73, 136, 75, 146, 73, 186, 153, 185,  
155,  
68, 176, 181, 68, 73, 169, 153, 187, 187, 178, 187, 153, 156, 68, 187, 68, 185, 153,  
169, 148,  
68, 75, 137, 146, 74, 185, 42, 146, 73, 32, 75, 43, 187, 185, 152, 148, 187, 187, 11,  
187,  
176, 11, 11, 0, 144, 187, 187, 185, 187, 187, 187, 187, 187, 153, 185, 187, 75, 101,  
187, 187,  
155, 176, 0, 176, 136, 0, 0, 0, 0, 184, 136, 130, 153, 136, 0, 187, 139, 8, 136, 139,  
0, 130, 76, 152, 187, 181, 191, 40, 11, 137, 0, 134, 64, 128, 11, 139, 187, 128, 139,  
8,  
187, 4, 180, 136, 172, 154, 148, 128, 8, 139, 73, 184, 4, 11, 0, 176, 128, 8, 0, 128,  
136, 0, 8, 9, 128, 0, 8, 0, 128, 0, 0, 0, 0, 8, 0, 8, 68, 64, 11, 4,  
8, 184, 144, 11, 9, 139, 150, 155, 8, 82, 8, 185, 0, 136, 8, 73, 75, 155, 128, 128,  
74, 128, 4, 68, 68, 11, 187, 68, 68, 64, 4, 153, 139, 187, 176, 4, 176, 11, 8, 187,  
0, 75, 187, 144, 187, 146, 164, 84, 9, 176, 148, 8, 75, 144, 64, 64, 73, 0, 130, 185,

36, 36, 176, 185, 11, 0, 153, 155, 138, 202, 156, 139, 64, 75, 186, 254, 84, 9, 180, 8,  
130, 204, 153, 173, 168, 148, 75, 4, 155, 4, 180, 9, 82, 43, 152, 176, 75, 180, 68,  
187,  
11, 64, 180, 66, 34, 64, 185, 66, 32, 64, 68, 137, 187, 185, 146, 68, 9, 38, 203, 153,  
11, 68, 34, 241, 197, 210, 187, 34, 68, 0, 191, 34, 22, 204, 32, 66, 42, 187, 75, 68,  
188, 194, 140, 226, 11, 184, 73, 41, 52, 40, 128, 37, 68, 68, 85, 4, 41, 148, 136, 128,  
72, 152, 144, 34, 255, 176, 73, 81, 82, 73, 155, 2, 0, 64, 180, 155, 187, 187, 147,  
155,  
68, 187, 150, 84, 159, 122, 153, 187, 187, 187, 176, 73, 185, 75, 187, 187, 187, 187,  
153, 165,  
68, 180, 68, 34, 68, 155, 206, 187, 159, 208, 68, 11, 155, 4, 185, 155, 187, 11, 11,  
11,  
176, 187, 180, 155, 185, 187, 153, 185, 187, 155, 187, 4, 153, 187, 187, 11, 148,  
213, 155, 187,  
128, 146, 128, 136, 176, 0, 128, 128, 128, 184, 8, 178, 153, 128, 136, 8, 176, 8, 0,  
176,  
8, 4, 153, 132, 139, 11, 137, 0, 176, 68, 8, 130, 11, 4, 187, 11, 0, 136, 0, 11,  
128, 176, 187, 128, 136, 137, 139, 11, 185, 144, 184, 0, 0, 132, 11, 11, 184, 128,  
137, 128,  
128, 0, 8, 0, 0, 0, 0, 11, 137, 72, 139, 0, 11, 0, 128, 144, 0, 4, 0, 136,  
9, 8, 144, 8, 187, 73, 159, 155, 187, 0, 184, 128, 139, 155, 0, 136, 11, 32, 0, 128,  
178, 73, 0, 68, 207, 8, 68, 144, 176, 0, 0, 169, 139, 155, 187, 176, 0, 180, 9, 139,  
0, 68, 0, 176, 64, 43, 64, 149, 90, 64, 0, 128, 11, 75, 4, 75, 148, 0, 153, 176,  
82, 64, 180, 0, 178, 0, 139, 184, 156, 126, 170, 144, 184, 75, 176, 181, 0, 75, 75,  
185,  
187, 168, 153, 73, 155, 4, 187, 75, 75, 187, 4, 64, 73, 136, 153, 139, 4, 68, 176, 187,  
137, 187, 4, 85, 221, 148, 153, 65, 82, 75, 153, 153, 184, 180, 149, 187, 132, 181,  
91, 187,  
180, 68, 42, 110, 223, 250, 164, 156, 20, 36, 180, 66, 69, 37, 34, 36, 66, 75, 68, 152,  
2, 68, 132, 82, 75, 4, 64, 36, 160, 72, 144, 194, 64, 64, 64, 155, 68, 187, 139, 149,  
75, 144, 153, 155, 172, 82, 64, 155, 180, 72, 8, 148, 4, 72, 185, 155, 185, 185, 185,  
153,

185, 155, 98, 64, 172, 236, 155, 187, 187, 187, 187, 73, 155, 187, 11, 155, 185, 187,  
155, 148,  
68, 180, 98, 68, 187, 75, 175, 68, 185, 176, 144, 180, 169, 11, 26, 144, 180, 180,  
187, 176,  
0, 155, 156, 164, 187, 75, 73, 187, 241, 176, 176, 69, 175, 75, 187, 187, 187, 69, 73,  
176,  
8, 136, 139, 8, 0, 8, 0, 11, 0, 136, 0, 136, 136, 128, 184, 176, 132, 16, 128, 132,  
128, 0, 8, 180, 184, 149, 128, 184, 0, 11, 8, 184, 4, 187, 9, 75, 0, 176, 11, 136,  
128, 180, 4, 8, 137, 136, 128, 0, 186, 0, 187, 187, 11, 0, 0, 176, 9, 0, 0, 0,  
136, 136, 128, 0, 0, 136, 9, 136, 137, 0, 144, 176, 176, 176, 136, 40, 128, 75, 0, 139,  
64, 128, 0, 136, 0, 147, 249, 170, 153, 40, 8, 8, 11, 64, 187, 34, 185, 176, 180, 132,  
73, 187, 75, 72, 99, 176, 72, 64, 68, 176, 68, 184, 73, 136, 0, 0, 187, 36, 187, 0,  
180, 187, 0, 155, 11, 0, 9, 182, 196, 0, 180, 187, 2, 184, 11, 144, 8, 4, 136, 180,  
17, 64, 187, 36, 147, 32, 41, 9, 154, 221, 168, 146, 184, 73, 148, 4, 136, 4, 187, 66,  
152, 155, 184, 152, 187, 181, 43, 36, 0, 176, 66, 11, 73, 72, 11, 180, 148, 36, 68, 0,  
146, 0, 68, 66, 28, 85, 36, 44, 34, 72, 187, 31, 136, 178, 170, 171, 155, 149, 148, 73,  
34, 41, 175, 231, 115, 201, 69, 146, 84, 36, 148, 73, 181, 90, 34, 68, 75, 180, 68, 84,  
187, 75, 75, 148, 187, 68, 73, 185, 43, 4, 148, 22, 32, 68, 73, 176, 75, 180, 187, 66,  
43, 2, 187, 187, 155, 4, 36, 180, 65, 16, 0, 36, 18, 65, 73, 75, 75, 181, 184, 0,  
0, 132, 148, 8, 74, 154, 171, 185, 187, 75, 187, 187, 187, 185, 176, 155, 185, 155,  
185, 187,  
187, 146, 162, 36, 75, 155, 69, 68, 176, 0, 139, 149, 98, 185, 169, 187, 75, 180, 187,  
0,  
185, 155, 186, 90, 155, 187, 187, 153, 154, 187, 180, 74, 180, 75, 66, 68, 180, 74,  
153, 187,  
139, 152, 152, 0, 0, 128, 136, 144, 176, 184, 8, 0, 184, 139, 184, 184, 152, 91, 0, 0,  
128, 8, 0, 8, 11, 9, 9, 128, 187, 144, 139, 136, 184, 176, 4, 75, 176, 0, 0, 0,  
152, 68, 0, 0, 0, 128, 8, 4, 70, 64, 139, 176, 139, 139, 180, 0, 0, 136, 184, 128,  
185, 128, 8, 136, 0, 8, 8, 128, 0, 187, 187, 8, 137, 184, 72, 8, 128, 139, 176, 8,  
41, 0, 4, 152, 128, 141, 204, 127, 153, 36, 8, 128, 0, 152, 187, 176, 8, 8, 176, 185,  
66, 9, 176, 9, 152, 9, 73, 192, 139, 180, 32, 176, 155, 136, 0, 64, 180, 66, 176, 185,  
164, 139, 73, 68, 72, 187, 5, 172, 155, 185, 4, 25, 4, 187, 144, 68, 136, 8, 10, 180,

148, 68, 11, 155, 156, 64, 8, 136, 149, 170, 152, 155, 159, 201, 152, 73, 145, 155, 8,  
44,  
169, 36, 185, 136, 187, 186, 169, 4, 40, 36, 4, 153, 132, 9, 11, 2, 136, 187, 43, 139,  
155, 2, 9, 68, 165, 50, 68, 169, 68, 73, 152, 153, 74, 65, 154, 169, 152, 68, 73, 132,  
73, 73, 175, 231, 125, 194, 73, 36, 68, 187, 43, 185, 185, 42, 197, 162, 139, 68, 2,  
194,  
64, 180, 11, 165, 43, 4, 4, 72, 148, 148, 68, 186, 68, 187, 180, 155, 64, 11, 153, 148,  
4, 0, 187, 4, 68, 9, 34, 180, 137, 180, 75, 73, 160, 178, 64, 148, 0, 68, 73, 186,  
88, 155, 187, 184, 153, 152, 187, 153, 187, 180, 75, 11, 187, 75, 181, 74, 197, 155,  
176, 155,  
185, 187, 68, 34, 187, 180, 180, 73, 8, 176, 138, 176, 91, 159, 249, 153, 180, 153,  
75, 176,  
155, 176, 11, 162, 146, 155, 68, 41, 187, 187, 187, 155, 73, 187, 185, 187, 187, 69,  
180, 75,  
128, 32, 0, 0, 0, 8, 4, 128, 176, 72, 136, 176, 128, 128, 8, 139, 0, 204, 128, 8,  
128, 187, 171, 13, 16, 0, 136, 139, 4, 144, 8, 8, 184, 137, 11, 4, 64, 0, 144, 128,  
176, 128, 176, 0, 185, 0, 73, 152, 176, 0, 184, 128, 176, 0, 69, 8, 8, 128, 0, 41,  
149, 40, 128, 0, 11, 139, 0, 11, 137, 75, 0, 137, 64, 176, 64, 8, 136, 139, 0, 185,  
128, 128, 8, 152, 73, 40, 153, 220, 136, 184, 139, 0, 9, 8, 128, 4, 8, 0, 180, 0,  
184, 0, 64, 184, 180, 9, 41, 139, 185, 176, 176, 176, 128, 64, 64, 0, 64, 0, 139, 185,  
41, 136, 176, 0, 11, 0, 9, 2, 75, 155, 185, 105, 180, 185, 69, 36, 137, 187, 185, 73,  
84, 8, 66, 64, 128, 138, 68, 68, 178, 152, 153, 184, 71, 226, 152, 11, 185, 137, 186,  
204,  
169, 85, 73, 171, 152, 76, 239, 153, 153, 187, 32, 2, 75, 68, 4, 75, 66, 178, 73, 130,  
73, 73, 176, 41, 44, 85, 37, 113, 146, 66, 168, 137, 144, 72, 132, 137, 169, 180, 180,  
74,  
36, 153, 154, 222, 223, 203, 155, 180, 75, 187, 185, 68, 146, 37, 111, 226, 37, 75,  
75, 76,  
43, 176, 0, 4, 66, 68, 176, 153, 176, 75, 187, 8, 187, 73, 4, 152, 4, 180, 162, 32,  
4, 68, 184, 64, 64, 153, 185, 75, 73, 176, 155, 153, 4, 41, 4, 187, 180, 41, 178, 34,  
25, 148, 43, 187, 2, 176, 153, 185, 187, 68, 187, 75, 187, 162, 146, 159, 119, 73,  
153, 185,



185, 155, 187, 187, 185, 176, 11, 75, 187, 171, 199, 201, 155, 185, 153, 153, 9, 153,  
155, 187,  
171, 180, 185, 148, 159, 196, 66, 73, 160, 154, 74, 41, 187, 185, 34, 155, 187, 180,  
73, 144,  
4, 0, 136, 0, 8, 8, 0, 128, 0, 0, 64, 0, 128, 11, 184, 152, 128, 221, 8, 136,  
187, 32, 11, 181, 40, 187, 0, 128, 11, 176, 0, 136, 0, 128, 0, 11, 11, 176, 128, 128,  
0, 4, 187, 0, 8, 187, 136, 128, 0, 8, 8, 0, 128, 72, 144, 9, 128, 136, 8, 43,  
185, 169, 136, 139, 0, 0, 187, 153, 155, 0, 0, 187, 136, 136, 212, 8, 152, 11, 0, 136,  
137, 9, 176, 11, 57, 25, 137, 136, 153, 137, 176, 0, 0, 0, 184, 0, 163, 9, 0, 11,  
137, 180, 8, 156, 32, 34, 185, 187, 184, 148, 0, 185, 247, 4, 68, 176, 11, 43, 8, 2,  
160, 176, 187, 137, 43, 132, 132, 64, 8, 89, 176, 148, 137, 66, 81, 20, 8, 25, 180,  
185,  
196, 68, 68, 0, 64, 2, 187, 153, 137, 136, 153, 8, 152, 38, 171, 177, 73, 139, 175,  
252,  
169, 180, 75, 139, 164, 207, 126, 137, 153, 128, 74, 43, 64, 66, 180, 64, 42, 66, 90,  
66,  
148, 66, 146, 66, 46, 117, 69, 218, 153, 185, 36, 153, 146, 8, 4, 1, 84, 68, 9, 68,  
144, 137, 69, 204, 172, 171, 72, 68, 187, 4, 8, 187, 187, 85, 36, 36, 68, 43, 43, 148,  
64, 43, 73, 180, 185, 148, 187, 43, 178, 11, 11, 72, 184, 132, 36, 34, 0, 148, 4, 68,  
73, 40, 180, 68, 64, 88, 187, 8, 9, 155, 180, 64, 136, 149, 180, 130, 18, 68, 187, 185,  
57, 187, 57, 11, 187, 148, 187, 176, 187, 82, 187, 187, 0, 176, 68, 74, 242, 148, 75,  
27,  
153, 68, 187, 187, 153, 155, 68, 75, 187, 185, 167, 201, 139, 185, 154, 89, 144, 187,  
148, 187,  
64, 0, 187, 187, 159, 20, 75, 176, 11, 62, 26, 186, 185, 185, 187, 180, 187, 155, 187,  
176,  
184, 8, 128, 0, 176, 0, 11, 136, 0, 9, 0, 0, 64, 11, 8, 155, 9, 136, 0, 11,  
0, 68, 64, 8, 137, 0, 8, 132, 64, 136, 0, 8, 137, 128, 0, 128, 153, 128, 0, 0,  
0, 2, 137, 72, 8, 153, 152, 8, 128, 0, 4, 11, 0, 8, 64, 200, 128, 0, 128, 176,  
139, 152, 137, 0, 8, 137, 9, 92, 0, 153, 0, 176, 8, 185, 201, 8, 152, 128, 0, 9,  
154, 0, 4, 0, 155, 8, 139, 136, 153, 148, 0, 11, 64, 128, 139, 128, 0, 0, 4, 0,  
8, 187, 148, 167, 233, 36, 136, 184, 139, 176, 180, 11, 170, 64, 64, 0, 11, 178, 128,  
0,

176, 128, 139, 184, 184, 4, 0, 176, 4, 75, 0, 146, 184, 155, 161, 89, 0, 81, 68, 5,  
98, 68, 180, 0, 0, 11, 0, 8, 128, 41, 74, 164, 34, 2, 85, 2, 75, 11, 93, 239,  
202, 139, 178, 194, 171, 186, 252, 169, 153, 36, 164, 152, 146, 68, 11, 73, 34, 103,  
53, 36,  
73, 34, 36, 146, 33, 21, 9, 146, 153, 75, 146, 153, 136, 130, 64, 4, 4, 36, 68, 64,  
75, 66, 41, 170, 172, 50, 41, 180, 4, 155, 176, 64, 162, 73, 41, 180, 68, 68, 43, 66,  
36, 17, 176, 32, 176, 11, 187, 155, 187, 4, 75, 153, 148, 68, 68, 148, 184, 0, 0, 75,  
36, 153, 153, 74, 148, 153, 213, 152, 128, 153, 155, 184, 155, 176, 153, 184, 201,  
178, 75, 153,  
169, 176, 43, 68, 75, 187, 11, 185, 91, 155, 68, 178, 75, 187, 34, 33, 146, 155, 197,  
169,  
155, 153, 75, 185, 153, 155, 180, 155, 73, 176, 169, 156, 169, 187, 153, 42, 212,  
153, 187, 155,  
187, 187, 187, 153, 185, 153, 155, 187, 9, 146, 154, 75, 180, 187, 185, 187, 144,  
176, 187, 144,  
144, 11, 11, 8, 0, 8, 128, 176, 0, 11, 176, 187, 8, 0, 136, 11, 0, 0, 0, 148,  
176, 0, 144, 11, 184, 0, 139, 187, 75, 4, 148, 153, 176, 0, 184, 4, 184, 128, 8, 136,  
128, 132, 75, 0, 8, 156, 128, 128, 0, 11, 128, 168, 187, 8, 0, 168, 136, 0, 132, 0,  
8, 144, 205, 0, 8, 132, 0, 128, 8, 245, 4, 0, 8, 8, 153, 128, 137, 139, 0, 128,  
136, 176, 0, 9, 0, 11, 187, 187, 144, 73, 84, 185, 64, 0, 128, 0, 184, 73, 64, 180,  
152, 187, 36, 44, 148, 0, 152, 148, 148, 0, 187, 187, 180, 9, 75, 4, 75, 41, 155, 8,  
136, 184, 8, 148, 139, 153, 176, 75, 11, 75, 128, 0, 11, 69, 34, 68, 9, 37, 89, 41,  
34, 176, 0, 69, 11, 11, 180, 132, 136, 9, 69, 186, 144, 178, 43, 178, 36, 66, 205, 234,  
201, 137, 68, 41, 4, 73, 168, 136, 145, 66, 68, 176, 177, 27, 180, 176, 148, 23, 229,  
84,  
34, 162, 170, 34, 85, 82, 32, 36, 155, 34, 130, 9, 180, 146, 148, 4, 66, 68, 184, 4,  
68, 72, 68, 178, 45, 90, 148, 144, 180, 171, 64, 1, 196, 187, 184, 176, 68, 36, 187,  
36,  
75, 41, 148, 73, 0, 75, 11, 187, 180, 68, 185, 144, 70, 84, 64, 41, 9, 0, 69, 176,  
184, 144, 66, 18, 180, 139, 41, 144, 180, 8, 187, 188, 164, 64, 155, 73, 34, 36, 73,  
146,  
75, 187, 187, 187, 4, 187, 180, 66, 164, 176, 68, 73, 75, 185, 85, 81, 153, 155, 154,  
176,

9, 164, 146, 73, 254, 162, 75, 187, 149, 176, 64, 156, 171, 187, 139, 139, 187, 155,  
155, 148,  
68, 144, 187, 149, 169, 75, 180, 144, 9, 132, 65, 180, 41, 187, 155, 155, 176, 185,  
155, 11,  
9, 136, 0, 181, 107, 8, 128, 136, 128, 64, 4, 144, 0, 64, 8, 153, 136, 0, 187, 176,  
176, 155, 0, 176, 8, 139, 72, 11, 11, 9, 9, 64, 72, 8, 136, 176, 176, 11, 136, 169,  
139, 5, 11, 128, 136, 176, 0, 128, 128, 8, 136, 176, 176, 5, 91, 136, 128, 0, 132, 0,  
136, 128, 205, 144, 9, 217, 0, 128, 8, 176, 128, 139, 139, 184, 188, 32, 8, 187, 176,  
72,  
0, 0, 8, 136, 187, 187, 64, 43, 168, 9, 98, 0, 128, 128, 144, 11, 132, 155, 4, 75,  
176, 0, 68, 185, 144, 176, 187, 178, 211, 37, 84, 0, 36, 180, 155, 4, 66, 184, 139,  
184,  
75, 176, 185, 20, 36, 73, 180, 8, 9, 176, 128, 148, 176, 177, 20, 137, 8, 32, 207, 89,  
66, 187, 180, 85, 64, 75, 68, 132, 128, 176, 185, 43, 66, 68, 153, 149, 98, 2, 253,  
202,  
169, 153, 146, 34, 176, 10, 154, 152, 2, 64, 171, 11, 178, 34, 75, 68, 185, 33, 21, 66,  
34, 146, 165, 172, 253, 53, 34, 68, 75, 0, 32, 9, 132, 4, 41, 187, 68, 68, 185, 36,  
34, 73, 171, 153, 206, 25, 137, 144, 154, 57, 164, 42, 43, 68, 75, 146, 75, 43, 73,  
180,  
187, 139, 70, 164, 155, 0, 185, 2, 4, 64, 75, 180, 181, 36, 73, 162, 146, 43, 187, 4,  
9, 57, 2, 27, 73, 0, 153, 148, 0, 0, 4, 35, 18, 9, 180, 68, 180, 73, 36, 153,  
148, 75, 98, 187, 180, 160, 180, 68, 66, 68, 73, 155, 187, 186, 103, 20, 75, 185, 187,  
187,  
185, 41, 66, 187, 222, 196, 185, 146, 46, 80, 73, 153, 187, 187, 184, 68, 153, 187,  
153, 153,  
153, 187, 187, 204, 171, 187, 75, 185, 139, 132, 171, 2, 4, 4, 180, 185, 187, 153,  
153, 155,  
4, 4, 0, 9, 128, 136, 8, 8, 136, 176, 4, 0, 0, 144, 185, 197, 155, 0, 0, 0,  
0, 152, 11, 0, 0, 128, 0, 128, 0, 8, 175, 92, 216, 11, 152, 144, 0, 9, 136, 136,  
152, 0, 184, 0, 128, 8, 0, 176, 8, 128, 0, 11, 187, 148, 0, 75, 0, 8, 68, 9,  
8, 8, 128, 139, 138, 214, 184, 176, 2, 144, 11, 128, 139, 152, 132, 144, 184, 128,  
180, 9,  
136, 0, 0, 0, 0, 0, 64, 0, 176, 176, 8, 0, 4, 72, 128, 0, 64, 144, 8, 187,

184, 0, 0, 8, 148, 75, 0, 5, 115, 90, 36, 180, 176, 187, 91, 176, 4, 73, 176, 155,  
9, 187, 8, 75, 8, 36, 144, 133, 81, 80, 0, 75, 0, 64, 69, 5, 36, 148, 167, 217,  
184, 0, 155, 34, 66, 43, 187, 11, 132, 0, 180, 66, 64, 187, 8, 149, 22, 34, 170, 168,  
152, 137, 187, 43, 187, 178, 75, 176, 69, 11, 184, 68, 132, 153, 34, 162, 73, 65, 37,  
66,  
42, 204, 255, 255, 238, 54, 37, 34, 180, 146, 180, 185, 11, 132, 152, 11, 137, 144, 8,  
176,  
180, 152, 75, 73, 149, 41, 137, 128, 43, 144, 202, 43, 185, 196, 64, 73, 43, 68, 155,  
4,  
75, 187, 178, 68, 176, 152, 155, 147, 68, 180, 74, 42, 68, 68, 74, 218, 44, 64, 184,  
176,  
185, 162, 185, 41, 159, 43, 153, 75, 136, 64, 176, 180, 68, 11, 34, 34, 105, 4, 185,  
148,  
187, 75, 36, 187, 187, 75, 187, 68, 66, 36, 11, 171, 11, 148, 166, 20, 73, 153, 187,  
187,  
187, 36, 149, 155, 154, 187, 185, 185, 153, 148, 186, 171, 187, 180, 184, 139, 92,  
187, 180, 43,  
75, 171, 180, 154, 187, 11, 75, 152, 184, 176, 155, 198, 68, 0, 187, 148, 185, 92,  
198, 75,  
75, 0, 128, 128, 168, 155, 8, 139, 184, 139, 64, 0, 0, 0, 155, 11, 11, 128, 0, 0,  
36, 136, 11, 180, 187, 8, 0, 144, 136, 8, 108, 174, 121, 187, 137, 64, 176, 9, 0, 152,  
155, 128, 187, 0, 139, 0, 8, 187, 187, 0, 0, 155, 184, 128, 11, 64, 8, 11, 176, 136,  
0, 0, 8, 132, 184, 223, 176, 176, 0, 0, 184, 0, 185, 136, 187, 137, 11, 187, 9, 8,  
0, 11, 0, 0, 8, 0, 136, 0, 64, 139, 176, 176, 8, 0, 176, 11, 0, 187, 40, 187,  
176, 176, 0, 136, 136, 187, 176, 74, 66, 64, 32, 178, 43, 187, 0, 187, 75, 136, 187,  
176,  
75, 176, 0, 11, 180, 68, 73, 178, 81, 36, 36, 176, 4, 153, 64, 36, 153, 72, 145, 169,  
139, 176, 11, 34, 9, 148, 11, 11, 184, 4, 82, 2, 75, 73, 185, 165, 231, 100, 146, 36,  
187, 187, 0, 68, 176, 187, 43, 185, 35, 64, 64, 187, 68, 68, 34, 66, 89, 4, 38, 34,  
193, 253, 51, 61, 61, 108, 85, 90, 68, 153, 187, 0, 148, 68, 155, 176, 185, 153, 9, 41,  
185, 143, 85, 2, 68, 148, 9, 187, 148, 4, 137, 169, 188, 226, 68, 73, 187, 181, 171,  
178,  
153, 66, 180, 68, 184, 187, 139, 178, 68, 176, 38, 42, 21, 64, 72, 166, 34, 75, 11, 9,

152, 155, 72, 137, 130, 137, 168, 155, 180, 180, 41, 11, 0, 153, 34, 43, 73, 73, 37,  
43,  
0, 178, 187, 41, 91, 187, 187, 187, 187, 155, 185, 176, 187, 187, 148, 82, 180, 75,  
73, 37,  
187, 153, 147, 155, 153, 187, 155, 73, 187, 185, 180, 75, 187, 66, 155, 11, 153, 187,  
155, 176,  
11, 187, 176, 187, 185, 187, 10, 164, 176, 152, 180, 41, 187, 180, 68, 187, 187, 154,  
185, 187,  
160, 4, 75, 176, 11, 176, 8, 11, 176, 128, 176, 11, 0, 176, 139, 0, 128, 184, 128, 11,  
21, 9, 8, 217, 176, 0, 11, 136, 11, 0, 178, 186, 170, 176, 128, 178, 184, 8, 136, 184,  
11, 0, 75, 136, 176, 4, 8, 187, 64, 9, 4, 64, 187, 187, 176, 0, 8, 8, 0, 176,  
176, 0, 4, 128, 153, 153, 64, 128, 91, 0, 187, 128, 11, 136, 11, 176, 176, 0, 0, 144,  
132, 139, 11, 128, 136, 136, 137, 4, 0, 128, 68, 0, 136, 64, 176, 184, 176, 146, 50,  
184,  
132, 184, 128, 11, 2, 185, 68, 132, 68, 75, 0, 178, 64, 64, 176, 155, 68, 4, 137, 176,  
176, 176, 9, 84, 4, 4, 75, 2, 180, 66, 98, 32, 36, 64, 0, 8, 148, 144, 148, 176,  
130, 180, 75, 4, 4, 146, 0, 0, 164, 0, 68, 180, 0, 178, 36, 9, 195, 82, 36, 75,  
184, 180, 4, 75, 72, 128, 68, 68, 74, 139, 75, 180, 68, 75, 176, 75, 180, 72, 69, 85,  
81, 211, 119, 231, 62, 102, 207, 172, 41, 35, 20, 36, 75, 153, 152, 11, 75, 148, 68,  
178,  
72, 73, 36, 146, 37, 194, 73, 180, 187, 0, 66, 196, 148, 18, 8, 65, 36, 41, 155, 187,  
180, 0, 75, 66, 187, 184, 0, 34, 84, 9, 185, 65, 117, 64, 4, 165, 64, 75, 64, 73,  
148, 139, 155, 176, 153, 10, 210, 144, 34, 184, 130, 153, 187, 149, 64, 180, 0, 43,  
150, 91,  
187, 11, 4, 34, 68, 176, 187, 180, 32, 75, 187, 180, 180, 68, 164, 180, 68, 153, 178,  
20,  
180, 149, 73, 153, 155, 187, 11, 153, 187, 180, 187, 73, 187, 187, 155, 139, 176,  
185, 171, 0,  
132, 187, 9, 11, 187, 155, 9, 169, 185, 187, 4, 139, 11, 185, 187, 41, 185, 185, 11,  
187,  
128, 8, 136, 136, 10, 72, 8, 0, 130, 196, 0, 0, 4, 0, 11, 176, 0, 9, 68, 152,  
64, 4, 155, 75, 176, 9, 152, 201, 128, 4, 153, 0, 75, 8, 0, 180, 64, 0, 0, 0,  
11, 2, 9, 136, 0, 64, 10, 144, 176, 187, 187, 11, 0, 180, 0, 176, 8, 0, 68, 187,

0, 139, 176, 187, 128, 184, 139, 8, 152, 4, 253, 153, 41, 155, 144, 0, 8, 144, 152,  
160,  
73, 155, 184, 0, 0, 139, 11, 64, 75, 2, 36, 8, 9, 168, 11, 144, 184, 4, 98, 128,  
187, 139, 9, 153, 8, 68, 185, 148, 36, 11, 9, 75, 0, 64, 9, 176, 68, 187, 8, 187,  
0, 187, 180, 101, 36, 68, 64, 11, 148, 180, 84, 84, 64, 68, 64, 178, 64, 68, 84, 32,  
65, 68, 11, 0, 69, 187, 64, 9, 153, 80, 187, 66, 187, 159, 50, 68, 34, 41, 180, 180,  
176, 0, 4, 68, 36, 155, 185, 68, 187, 64, 75, 153, 36, 69, 84, 68, 75, 148, 181, 26,  
198, 231, 55, 119, 119, 61, 243, 102, 44, 206, 18, 66, 82, 153, 153, 139, 73, 34, 36,  
36,  
66, 148, 137, 73, 159, 226, 2, 64, 4, 66, 10, 187, 180, 85, 47, 33, 75, 177, 75, 0,  
68, 64, 4, 180, 4, 184, 10, 50, 75, 73, 73, 73, 34, 4, 11, 66, 66, 0, 187, 84,  
185, 72, 64, 148, 137, 73, 178, 43, 36, 137, 187, 144, 144, 162, 75, 180, 11, 0, 178,  
9,  
184, 164, 187, 187, 187, 11, 185, 187, 75, 187, 185, 153, 64, 187, 75, 68, 180, 187,  
145, 114,  
34, 87, 43, 180, 187, 187, 187, 186, 75, 186, 176, 11, 187, 187, 153, 132, 0, 191, 57,  
154,  
144, 11, 176, 176, 9, 176, 11, 187, 187, 152, 0, 11, 185, 153, 187, 75, 2, 0, 187, 187,  
139, 184, 136, 128, 128, 8, 0, 176, 144, 40, 187, 34, 4, 0, 176, 176, 0, 68, 0, 136,  
144, 68, 137, 64, 187, 0, 128, 82, 8, 11, 68, 4, 4, 128, 0, 152, 0, 0, 128, 128,  
187, 0, 180, 139, 2, 187, 72, 180, 0, 32, 184, 187, 176, 176, 68, 73, 128, 128, 128, 0,  
136, 0, 136, 64, 136, 8, 128, 11, 0, 9, 222, 170, 130, 139, 176, 72, 128, 8, 136, 138,  
154, 34, 136, 137, 11, 128, 144, 155, 0, 69, 160, 9, 152, 144, 176, 0, 137, 176, 187,  
185,  
176, 8, 8, 130, 75, 20, 0, 43, 68, 155, 0, 11, 132, 187, 11, 176, 180, 180, 176, 180,  
75, 176, 144, 37, 64, 68, 203, 12, 21, 187, 68, 68, 176, 76, 68, 37, 37, 68, 66, 32,  
4, 4, 68, 64, 68, 0, 184, 186, 84, 66, 176, 176, 68, 169, 201, 137, 33, 73, 72, 75,  
9, 144, 9, 8, 75, 187, 75, 148, 148, 4, 4, 155, 76, 85, 68, 11, 170, 41, 153, 42,  
207, 51, 62, 119, 119, 51, 101, 204, 89, 85, 34, 85, 202, 205, 168, 152, 69, 36, 11,  
34,  
32, 68, 64, 9, 66, 36, 75, 185, 146, 84, 75, 180, 0, 68, 206, 36, 180, 68, 75, 176,  
4, 4, 0, 148, 153, 144, 11, 36, 0, 9, 180, 68, 84, 187, 9, 160, 2, 187, 176, 149,

74, 146, 68, 155, 8, 72, 153, 128, 146, 155, 148, 164, 144, 21, 68, 75, 172, 68, 68,  
73,  
148, 68, 187, 176, 9, 0, 153, 159, 100, 185, 82, 21, 68, 75, 185, 34, 34, 75, 153, 36,  
66, 146, 36, 68, 178, 155, 187, 155, 187, 187, 176, 187, 154, 89, 73, 176, 187, 159,  
249, 156,  
240, 0, 0, 11, 155, 64, 11, 4, 180, 11, 128, 0, 176, 4, 11, 64, 187, 171, 187, 176,  
0, 176, 128, 0, 0, 0, 136, 72, 8, 0, 0, 4, 0, 187, 0, 0, 0, 144, 0, 152,  
187, 66, 218, 8, 176, 0, 136, 0, 176, 176, 9, 139, 0, 8, 144, 136, 187, 0, 0, 8,  
187, 75, 128, 128, 139, 139, 184, 8, 8, 176, 184, 8, 176, 8, 4, 11, 0, 136, 136, 8,  
176, 0, 72, 64, 8, 176, 0, 176, 128, 8, 154, 152, 8, 136, 0, 128, 8, 152, 8, 177,  
169, 0, 72, 128, 0, 4, 11, 137, 128, 68, 176, 0, 8, 176, 4, 0, 176, 64, 11, 146,  
133, 144, 8, 137, 88, 32, 64, 75, 32, 75, 152, 136, 187, 0, 0, 136, 154, 11, 4, 180,  
4, 11, 176, 36, 11, 68, 64, 68, 184, 176, 4, 0, 180, 159, 37, 161, 37, 74, 42, 36,  
64, 64, 176, 69, 32, 11, 162, 86, 153, 155, 43, 68, 11, 75, 11, 137, 149, 73, 137, 64,  
74, 249, 75, 180, 187, 184, 153, 155, 184, 176, 180, 69, 66, 80, 0, 4, 9, 68, 73, 145,  
207, 211, 211, 231, 119, 115, 245, 21, 90, 164, 42, 255, 255, 172, 202, 139, 65, 32,  
180, 155,  
66, 146, 108, 66, 66, 68, 44, 73, 36, 194, 68, 180, 0, 66, 34, 2, 75, 68, 11, 68,  
0, 176, 176, 148, 72, 187, 8, 2, 20, 36, 68, 4, 153, 185, 148, 68, 4, 176, 8, 178,  
47, 80, 187, 34, 178, 144, 152, 42, 25, 153, 156, 127, 43, 68, 187, 73, 83, 187, 180,  
149,  
18, 148, 187, 187, 161, 185, 0, 187, 68, 1, 18, 4, 68, 75, 11, 178, 66, 75, 41, 185,  
155, 180, 75, 148, 68, 73, 155, 187, 187, 187, 187, 176, 185, 146, 144, 11, 187, 8,  
169, 137,  
148, 72, 64, 9, 201, 137, 148, 185, 50, 186, 152, 139, 0, 11, 4, 68, 187, 218, 148,  
176,  
8, 2, 8, 8, 0, 128, 8, 8, 0, 11, 64, 180, 0, 8, 11, 0, 0, 128, 136, 136,  
136, 176, 98, 4, 0, 8, 187, 187, 0, 132, 184, 139, 176, 11, 0, 8, 184, 8, 128, 136,  
139, 0, 128, 11, 8, 75, 128, 11, 136, 176, 8, 4, 75, 176, 0, 176, 128, 184, 0, 0,  
0, 0, 185, 0, 9, 75, 180, 8, 130, 8, 136, 136, 171, 72, 139, 8, 152, 139, 0, 64,  
128, 176, 176, 8, 11, 11, 11, 187, 139, 64, 11, 144, 11, 176, 128, 0, 128, 8, 187, 139,  
177, 152, 139, 154, 34, 33, 80, 186, 164, 184, 187, 172, 64, 176, 11, 11, 198, 184,  
64, 185,

64, 64, 4, 36, 0, 187, 178, 68, 187, 4, 4, 76, 196, 65, 130, 44, 25, 75, 180, 66,  
43, 0, 11, 37, 4, 184, 34, 156, 153, 153, 146, 75, 36, 75, 4, 148, 46, 105, 154, 2,  
43, 68, 75, 159, 160, 64, 185, 43, 155, 187, 9, 68, 66, 75, 4, 36, 41, 85, 65, 34,  
204, 246, 109, 231, 119, 54, 252, 197, 85, 34, 175, 215, 238, 204, 215, 144, 180, 0,  
75, 75,  
34, 145, 34, 66, 4, 132, 145, 73, 97, 19, 68, 68, 2, 82, 75, 0, 68, 146, 20, 171,  
8, 154, 36, 162, 41, 4, 187, 85, 66, 98, 2, 75, 137, 66, 20, 36, 185, 148, 137, 148,  
177, 152, 9, 41, 156, 136, 156, 199, 242, 41, 186, 220, 11, 178, 75, 68, 155, 176,  
187, 153,  
82, 187, 187, 64, 187, 187, 187, 68, 180, 178, 82, 66, 43, 176, 180, 148, 36, 0, 0, 36,  
187, 187, 73, 58, 36, 153, 187, 180, 73, 176, 75, 64, 9, 211, 73, 153, 155, 11, 152,  
180,  
68, 64, 0, 178, 152, 136, 137, 187, 164, 187, 184, 144, 68, 180, 79, 27, 185, 90, 176,  
176,  
0, 144, 8, 128, 8, 8, 137, 11, 136, 157, 96, 176, 11, 139, 128, 139, 0, 0, 136, 139,  
0, 8, 139, 64, 176, 137, 64, 176, 136, 132, 152, 251, 176, 139, 8, 0, 0, 136, 0, 176,  
152, 176, 136, 136, 0, 136, 176, 136, 139, 0, 184, 11, 8, 187, 11, 176, 8, 11, 0, 144,  
136, 187, 2, 8, 128, 72, 136, 128, 136, 152, 128, 136, 155, 68, 155, 0, 9, 0, 8, 176,  
8, 11, 176, 139, 128, 187, 73, 64, 9, 128, 187, 184, 68, 128, 0, 128, 0, 75, 176, 187,  
153, 136, 137, 132, 4, 66, 64, 176, 68, 187, 11, 152, 75, 11, 69, 187, 64, 0, 75, 95,  
0, 187, 187, 37, 75, 11, 85, 0, 75, 0, 73, 44, 210, 186, 138, 215, 218, 155, 146, 66,  
180, 187, 64, 17, 32, 84, 9, 162, 222, 170, 34, 176, 68, 81, 36, 132, 15, 202, 153, 32,  
68, 11, 187, 86, 101, 68, 9, 75, 176, 64, 187, 180, 144, 188, 34, 66, 146, 34, 82, 34,  
154, 31, 246, 211, 51, 111, 252, 85, 169, 162, 175, 231, 125, 252, 172, 176, 155, 9,  
68, 84,  
155, 145, 68, 73, 145, 82, 42, 136, 162, 36, 66, 40, 36, 37, 32, 178, 75, 139, 68, 80,  
185, 178, 148, 68, 187, 66, 72, 85, 66, 36, 34, 75, 178, 69, 226, 68, 185, 178, 40, 75,  
184, 187, 9, 137, 152, 194, 186, 253, 250, 132, 185, 153, 180, 148, 180, 187, 148,  
178, 180, 153,  
180, 180, 64, 75, 187, 18, 187, 75, 75, 187, 34, 68, 187, 187, 75, 178, 43, 185, 180,  
90,  
187, 187, 148, 43, 187, 73, 187, 187, 187, 176, 177, 84, 75, 154, 148, 36, 43, 187,  
153, 64,



4, 4, 8, 153, 155, 180, 139, 187, 41, 75, 68, 128, 64, 185, 180, 169, 73, 155, 11, 187,  
8, 8, 128, 0, 0, 176, 184, 144, 176, 191, 192, 187, 176, 184, 187, 0, 0, 0, 139, 176,  
176, 139, 176, 0, 128, 0, 75, 11, 0, 139, 8, 20, 187, 64, 9, 128, 8, 139, 4, 0,  
136, 0, 139, 187, 0, 139, 176, 139, 128, 136, 136, 136, 137, 128, 128, 176, 176, 4, 8,  
136,  
128, 8, 137, 153, 176, 0, 138, 153, 184, 137, 176, 9, 25, 4, 200, 11, 185, 144, 128,  
187,  
0, 136, 73, 155, 180, 137, 148, 152, 64, 0, 186, 64, 8, 155, 8, 180, 8, 34, 187, 139,  
73, 185, 152, 152, 144, 4, 68, 8, 34, 0, 11, 11, 0, 11, 153, 184, 180, 11, 152, 178,  
100, 68, 148, 68, 68, 4, 37, 73, 68, 187, 43, 154, 146, 180, 186, 254, 201, 153, 34,  
196,  
36, 73, 68, 66, 66, 36, 11, 73, 222, 165, 82, 32, 2, 55, 81, 36, 4, 64, 148, 36,  
9, 155, 11, 42, 180, 4, 176, 75, 176, 68, 68, 75, 75, 67, 26, 34, 178, 68, 68, 73,  
66, 172, 253, 111, 17, 241, 241, 197, 42, 139, 172, 221, 223, 170, 154, 36, 64, 43,  
180, 84,  
150, 164, 41, 184, 159, 82, 40, 168, 180, 64, 159, 171, 75, 68, 4, 75, 144, 164, 11,  
64,  
64, 146, 68, 130, 187, 182, 148, 33, 36, 68, 68, 75, 146, 66, 41, 180, 139, 72, 185,  
153,  
139, 11, 76, 192, 75, 153, 95, 125, 200, 153, 153, 155, 184, 180, 185, 160, 66, 146,  
187, 187,  
187, 155, 11, 187, 8, 82, 185, 155, 187, 11, 155, 73, 68, 187, 187, 187, 68, 187, 75,  
185,  
153, 187, 153, 180, 149, 187, 187, 75, 180, 187, 177, 164, 73, 155, 181, 66, 75, 187,  
32, 180,  
4, 64, 187, 152, 187, 64, 153, 139, 155, 187, 43, 171, 187, 4, 148, 73, 155, 155, 84,  
185,  
137, 136, 0, 128, 187, 139, 139, 75, 187, 2, 84, 11, 8, 11, 11, 0, 185, 0, 187, 8,  
8, 72, 11, 187, 128, 187, 0, 0, 0, 0, 8, 187, 176, 73, 128, 187, 8, 128, 155, 8,  
176, 8, 8, 8, 128, 0, 0, 184, 139, 8, 128, 176, 136, 187, 128, 0, 0, 0, 128, 132,  
144, 11, 75, 75, 187, 136, 185, 41, 139, 187, 128, 0, 213, 153, 136, 128, 128, 0, 0,  
64,  
187, 136, 43, 154, 153, 43, 11, 139, 0, 0, 133, 68, 4, 128, 139, 153, 9, 11, 64, 73,

80, 176, 185, 36, 11, 144, 36, 34, 80, 184, 176, 8, 128, 9, 73, 187, 185, 8, 146, 75,  
80, 68, 4, 0, 32, 36, 178, 36, 181, 4, 73, 47, 162, 75, 153, 172, 201, 145, 74, 229,  
82, 196, 11, 176, 68, 155, 34, 41, 154, 171, 165, 64, 69, 17, 36, 32, 64, 8, 148, 0,  
70, 212, 146, 9, 176, 4, 73, 75, 180, 4, 180, 155, 146, 178, 139, 176, 68, 34, 41, 41,  
101, 170, 252, 193, 207, 31, 28, 89, 153, 169, 154, 204, 202, 170, 137, 137, 43, 176,  
148, 75,  
137, 36, 4, 137, 180, 0, 4, 149, 37, 64, 73, 68, 146, 66, 32, 187, 185, 107, 153, 64,  
153, 176, 187, 186, 75, 187, 73, 172, 201, 68, 4, 148, 73, 92, 75, 148, 148, 81, 0,  
150,  
34, 185, 178, 36, 75, 36, 26, 223, 169, 74, 84, 41, 75, 8, 186, 244, 187, 41, 148, 155,  
187, 187, 187, 153, 180, 36, 73, 185, 149, 185, 187, 154, 162, 187, 180, 187, 68,  
187, 180, 185,  
155, 64, 185, 43, 75, 75, 155, 185, 187, 180, 64, 187, 155, 155, 66, 187, 75, 187, 43,  
180,  
176, 68, 73, 146, 75, 187, 187, 187, 187, 180, 75, 180, 180, 153, 75, 69, 75, 185,  
194, 75,  
0, 75, 136, 8, 132, 4, 136, 0, 144, 10, 249, 176, 9, 128, 0, 136, 8, 8, 11, 0,  
139, 0, 4, 0, 11, 64, 0, 0, 0, 0, 64, 136, 11, 9, 128, 128, 0, 8, 160, 0,  
4, 0, 8, 128, 0, 0, 176, 8, 0, 0, 72, 8, 128, 136, 136, 8, 128, 0, 0, 185,  
0, 176, 136, 187, 176, 132, 72, 136, 136, 187, 0, 146, 8, 136, 139, 0, 0, 184, 0, 0,  
9, 176, 36, 42, 205, 251, 187, 136, 176, 176, 137, 187, 130, 155, 9, 64, 176, 180,  
176, 156,  
52, 187, 140, 16, 11, 176, 64, 69, 203, 180, 128, 128, 8, 137, 34, 11, 176, 75, 33, 68,  
11, 68, 4, 180, 2, 32, 2, 100, 36, 180, 154, 55, 101, 64, 148, 185, 155, 180, 12, 170,  
66, 52, 4, 0, 37, 176, 34, 41, 43, 75, 34, 73, 159, 21, 34, 68, 0, 178, 155, 68,  
70, 114, 66, 171, 144, 170, 187, 68, 187, 2, 43, 68, 187, 148, 68, 69, 72, 22, 68, 146,  
84, 156, 204, 165, 85, 172, 162, 169, 153, 139, 185, 170, 170, 168, 169, 137, 187,  
180, 107, 180,  
130, 212, 75, 180, 11, 73, 66, 169, 68, 36, 75, 146, 36, 68, 32, 155, 132, 149, 68, 75,  
68, 180, 43, 185, 180, 180, 41, 66, 152, 132, 150, 244, 74, 19, 73, 180, 162, 68, 0,  
68,  
11, 73, 66, 34, 66, 73, 66, 169, 152, 154, 169, 185, 185, 186, 207, 36, 187, 73, 187,  
164,

180, 187, 180, 155, 180, 82, 74, 169, 153, 154, 155, 158, 218, 68, 165, 180, 37, 180,  
155, 176,  
185, 41, 35, 43, 148, 187, 144, 187, 11, 187, 187, 155, 187, 187, 187, 185, 187, 153,  
25, 176,  
187, 64, 136, 75, 144, 75, 187, 187, 187, 73, 187, 180, 155, 157, 148, 68, 4, 187,  
185, 155,  
144, 184, 155, 185, 4, 4, 0, 64, 176, 0, 176, 176, 11, 137, 0, 155, 0, 139, 184, 136,  
8, 0, 4, 11, 128, 0, 11, 0, 8, 128, 0, 128, 0, 72, 139, 0, 0, 8, 4, 128,  
11, 11, 8, 0, 0, 8, 128, 139, 136, 0, 176, 0, 8, 8, 0, 128, 0, 11, 128, 176,  
176, 128, 11, 8, 64, 4, 187, 136, 11, 0, 66, 2, 184, 176, 128, 0, 11, 144, 176, 8,  
64, 139, 136, 37, 221, 152, 11, 128, 187, 0, 139, 68, 153, 153, 128, 72, 0, 75, 176,  
133,  
64, 8, 148, 64, 0, 43, 0, 176, 9, 180, 2, 144, 8, 184, 11, 36, 0, 64, 68, 68,  
146, 180, 75, 34, 68, 8, 132, 36, 68, 68, 33, 237, 170, 64, 68, 4, 148, 180, 69, 128,  
75, 64, 4, 0, 66, 0, 21, 254, 36, 152, 66, 246, 171, 66, 66, 68, 2, 84, 8, 34,  
66, 36, 188, 98, 64, 246, 144, 180, 65, 44, 36, 68, 153, 36, 85, 86, 64, 34, 36, 85,  
34, 174, 90, 37, 73, 153, 153, 73, 154, 251, 154, 202, 205, 137, 202, 169, 180, 155,  
68, 11,  
89, 36, 180, 36, 187, 75, 72, 33, 36, 82, 66, 39, 50, 187, 185, 72, 64, 146, 80, 76,  
82, 68, 75, 68, 75, 73, 66, 36, 137, 11, 153, 144, 33, 82, 64, 64, 90, 155, 187, 9,  
11, 149, 132, 36, 34, 69, 68, 152, 137, 152, 148, 187, 74, 185, 170, 73, 68, 188, 155,  
66,  
66, 185, 185, 155, 185, 34, 174, 220, 168, 186, 169, 174, 242, 68, 65, 186, 255, 185,  
187, 180,  
180, 176, 69, 43, 187, 185, 155, 11, 64, 187, 153, 187, 187, 11, 11, 187, 187, 176,  
153, 187,  
187, 148, 64, 73, 128, 11, 4, 187, 75, 66, 75, 145, 187, 157, 42, 89, 155, 185, 187,  
153,  
184, 8, 8, 8, 0, 68, 0, 72, 176, 130, 144, 171, 0, 184, 152, 128, 187, 176, 202, 136,  
0, 0, 0, 0, 0, 139, 0, 11, 136, 128, 144, 0, 11, 184, 36, 128, 0, 128, 64, 0,  
155, 11, 0, 11, 185, 0, 0, 128, 136, 34, 11, 139, 152, 136, 176, 0, 180, 11, 0, 0,  
11, 0, 139, 11, 180, 158, 244, 0, 8, 136, 246, 0, 8, 139, 137, 0, 11, 128, 184, 8,  
132, 128, 0, 146, 172, 169, 176, 185, 136, 8, 148, 4, 137, 11, 152, 0, 9, 201, 184, 4,

11, 184, 144, 176, 178, 36, 41, 68, 9, 132, 4, 187, 0, 10, 8, 9, 4, 0, 64, 0,  
139, 148, 75, 118, 68, 18, 64, 0, 68, 4, 66, 89, 36, 155, 68, 185, 75, 75, 187, 72,  
66, 43, 37, 64, 68, 75, 68, 205, 75, 162, 11, 164, 76, 82, 68, 4, 4, 89, 187, 36,  
178, 65, 2, 73, 171, 36, 68, 41, 69, 69, 36, 75, 132, 36, 68, 180, 66, 65, 36, 69,  
90, 255, 193, 20, 180, 168, 148, 185, 186, 249, 9, 250, 155, 187, 72, 137, 155, 132,  
84, 11,  
29, 64, 176, 89, 187, 176, 132, 36, 68, 97, 36, 77, 20, 176, 180, 155, 9, 153, 153,  
195,  
85, 18, 72, 149, 89, 50, 82, 0, 149, 68, 11, 148, 34, 64, 75, 68, 187, 154, 4, 154,  
2, 35, 43, 34, 37, 32, 68, 176, 186, 186, 153, 153, 43, 155, 75, 43, 155, 153, 185,  
180,  
149, 41, 180, 75, 155, 65, 167, 236, 171, 36, 41, 166, 49, 68, 185, 73, 155, 75, 187,  
185,  
187, 11, 75, 185, 164, 75, 132, 176, 155, 187, 187, 11, 0, 187, 187, 153, 153, 185,  
75, 171,  
148, 68, 155, 186, 4, 4, 184, 185, 185, 75, 187, 155, 185, 164, 157, 223, 41, 153, 9,  
43,  
144, 139, 136, 0, 136, 0, 139, 155, 64, 128, 0, 176, 176, 152, 153, 128, 148, 0, 178,  
132,  
176, 139, 4, 0, 176, 128, 43, 0, 144, 0, 144, 176, 176, 128, 152, 144, 8, 8, 180, 178,  
180, 176, 8, 155, 139, 0, 152, 136, 91, 246, 9, 139, 8, 0, 139, 8, 184, 0, 139, 155,  
8, 0, 139, 255, 0, 191, 91, 0, 0, 128, 36, 8, 8, 72, 187, 128, 176, 11, 0, 0,  
0, 137, 185, 66, 66, 34, 11, 146, 192, 4, 184, 8, 180, 137, 8, 137, 9, 187, 176, 128,  
68, 168, 139, 148, 36, 4, 114, 75, 8, 186, 144, 0, 11, 4, 144, 137, 64, 41, 11, 4,  
4, 176, 137, 84, 66, 101, 64, 36, 68, 68, 8, 75, 20, 176, 66, 187, 66, 72, 68, 72,  
69, 41, 37, 21, 68, 187, 64, 162, 64, 68, 4, 4, 129, 20, 4, 0, 64, 130, 43, 132,  
73, 148, 84, 36, 34, 176, 9, 133, 43, 68, 66, 0, 176, 187, 36, 69, 67, 68, 69, 101,  
33, 119, 250, 75, 73, 196, 68, 187, 73, 154, 72, 73, 139, 136, 139, 137, 73, 132, 43,  
153,  
159, 36, 36, 66, 72, 139, 0, 68, 68, 66, 34, 66, 171, 180, 155, 137, 41, 154, 95, 124,  
166, 34, 34, 162, 152, 42, 84, 4, 178, 66, 148, 176, 34, 68, 0, 68, 64, 176, 0, 180,  
132, 130, 34, 66, 82, 20, 85, 153, 171, 32, 137, 4, 155, 25, 155, 75, 187, 139, 187,  
187,

146, 187, 36, 73, 187, 159, 172, 202, 146, 66, 148, 185, 34, 68, 185, 26, 153, 187,  
75, 176,  
185, 187, 41, 181, 17, 146, 64, 0, 0, 155, 187, 176, 41, 64, 0, 155, 187, 176, 75, 75,  
185, 75, 152, 11, 64, 0, 136, 187, 176, 187, 155, 187, 148, 187, 73, 147, 148, 155,  
186, 48,  
11, 64, 0, 4, 8, 0, 64, 0, 9, 128, 32, 176, 184, 128, 176, 128, 0, 72, 4, 136,  
184, 176, 0, 128, 0, 176, 64, 187, 0, 8, 8, 152, 184, 9, 139, 180, 187, 132, 139, 75,  
11, 187, 139, 11, 176, 128, 152, 0, 139, 11, 243, 152, 128, 136, 8, 11, 153, 187, 180,  
11,  
128, 0, 0, 204, 136, 178, 180, 187, 11, 138, 185, 8, 136, 176, 0, 0, 11, 8, 128, 11,  
9, 184, 153, 153, 148, 185, 0, 137, 128, 8, 176, 8, 128, 144, 0, 154, 154, 144, 139,  
185,  
187, 153, 139, 4, 0, 4, 25, 72, 0, 169, 160, 11, 0, 180, 180, 132, 0, 152, 146, 69,  
4, 68, 148, 68, 68, 68, 10, 16, 0, 43, 180, 178, 148, 68, 73, 75, 180, 68, 75, 153,  
36, 43, 176, 68, 64, 11, 176, 99, 75, 34, 180, 187, 153, 180, 0, 66, 4, 178, 68, 187,  
184, 153, 84, 34, 91, 68, 37, 176, 68, 137, 2, 185, 180, 180, 176, 68, 66, 69, 66, 82,  
34, 223, 170, 165, 68, 4, 4, 75, 73, 137, 153, 187, 0, 148, 32, 9, 137, 9, 152, 64,  
34, 68, 34, 68, 75, 75, 153, 68, 36, 66, 84, 36, 180, 11, 159, 244, 130, 43, 154, 249,  
64, 68, 95, 252, 41, 155, 148, 36, 2, 34, 11, 180, 67, 91, 17, 66, 68, 176, 66, 164,  
180, 41, 8, 66, 37, 63, 0, 152, 169, 185, 32, 185, 153, 149, 37, 64, 75, 145, 11, 75,  
11, 68, 66, 153, 187, 154, 154, 153, 130, 186, 194, 187, 75, 61, 153, 174, 25, 75,  
187, 155,  
187, 153, 144, 180, 170, 148, 73, 155, 9, 41, 154, 154, 43, 176, 187, 180, 154, 203,  
155, 68,  
187, 73, 184, 136, 11, 153, 0, 64, 176, 75, 180, 176, 162, 75, 180, 73, 73, 176, 128,  
180,  
64, 8, 0, 64, 0, 0, 64, 64, 128, 0, 184, 0, 8, 1, 8, 0, 176, 0, 64, 0,  
8, 8, 0, 8, 4, 0, 0, 11, 0, 0, 4, 9, 0, 4, 144, 176, 136, 136, 160, 0,  
187, 139, 0, 0, 0, 8, 136, 0, 184, 4, 253, 168, 128, 128, 0, 9, 176, 128, 8, 0,  
8, 68, 128, 144, 155, 9, 132, 64, 11, 128, 8, 9, 136, 0, 128, 4, 0, 8, 176, 8,  
136, 0, 176, 176, 75, 0, 139, 128, 184, 136, 0, 0, 4, 4, 139, 211, 43, 64, 139, 180,  
91, 132, 136, 11, 0, 128, 180, 176, 176, 136, 148, 8, 0, 75, 73, 155, 75, 9, 162, 0,  
36, 128, 4, 72, 34, 4, 6, 52, 43, 75, 155, 185, 68, 64, 73, 180, 180, 68, 185, 130,

75, 184, 130, 68, 0, 8, 130, 214, 43, 152, 148, 0, 64, 75, 187, 153, 64, 176, 41, 148,  
136, 146, 68, 92, 60, 69, 193, 84, 153, 2, 36, 42, 187, 178, 187, 146, 66, 70, 34, 68,  
34, 170, 169, 197, 66, 69, 84, 68, 184, 137, 155, 64, 64, 180, 75, 184, 187, 11, 176,  
11,  
43, 132, 184, 155, 148, 187, 187, 137, 68, 188, 25, 41, 4, 68, 76, 249, 148, 153, 153,  
160,  
9, 64, 76, 202, 170, 168, 148, 202, 178, 68, 2, 4, 37, 36, 36, 64, 4, 187, 68, 34,  
0, 73, 37, 84, 187, 239, 152, 169, 164, 149, 41, 137, 144, 2, 66, 68, 11, 5, 66, 58,  
187, 180, 73, 153, 4, 185, 153, 153, 153, 34, 91, 180, 187, 169, 155, 153, 155, 187,  
148, 187,  
187, 178, 144, 176, 180, 73, 153, 98, 176, 11, 218, 174, 25, 176, 11, 73, 154, 171,  
153, 155,  
187, 75, 89, 176, 137, 8, 128, 8, 64, 11, 180, 176, 85, 187, 169, 153, 185, 0, 187,  
144,  
0, 43, 0, 128, 0, 176, 176, 0, 184, 11, 144, 187, 0, 0, 152, 0, 176, 72, 0, 176,  
176, 0, 176, 0, 0, 2, 75, 64, 176, 9, 8, 128, 187, 187, 0, 184, 72, 139, 43, 11,  
139, 64, 0, 139, 176, 11, 128, 0, 11, 9, 42, 136, 8, 0, 72, 132, 11, 0, 136, 2,  
128, 11, 187, 0, 8, 136, 128, 0, 43, 136, 128, 136, 176, 139, 11, 132, 0, 9, 128, 136,  
136, 36, 184, 144, 0, 11, 11, 0, 72, 152, 176, 176, 138, 249, 176, 170, 153, 8, 11, 68,  
43, 180, 72, 187, 176, 180, 64, 178, 11, 9, 8, 0, 11, 2, 218, 171, 68, 0, 64, 176,  
80, 0, 185, 152, 36, 9, 180, 36, 64, 11, 139, 11, 36, 66, 68, 42, 4, 66, 41, 137,  
0, 139, 68, 36, 180, 68, 153, 89, 146, 60, 32, 180, 4, 146, 68, 56, 178, 64, 11, 4,  
153, 148, 68, 92, 239, 82, 42, 64, 172, 32, 34, 68, 11, 66, 137, 64, 2, 178, 66, 68,  
65, 156, 89, 18, 85, 150, 36, 34, 137, 185, 152, 180, 148, 178, 64, 11, 148, 184, 43,  
148,  
176, 137, 154, 58, 34, 43, 91, 68, 64, 68, 72, 166, 180, 153, 139, 4, 68, 153, 160,  
155,  
0, 184, 68, 44, 231, 218, 148, 106, 180, 180, 34, 68, 82, 36, 36, 75, 0, 0, 148, 185,  
0, 66, 149, 32, 153, 169, 187, 68, 34, 153, 164, 146, 148, 66, 64, 64, 185, 130, 149,  
169,  
37, 4, 68, 73, 155, 75, 153, 153, 36, 68, 73, 187, 187, 187, 75, 187, 187, 11, 178,  
187,

43, 187, 176, 176, 185, 171, 187, 36, 180, 187, 11, 37, 153, 180, 191, 73, 153, 150,  
169, 155,  
75, 180, 197, 11, 180, 187, 144, 11, 9, 64, 187, 242, 187, 185, 100, 185, 155, 11,  
153, 242,  
4, 105, 0, 11, 8, 11, 0, 8, 153, 11, 160, 0, 0, 11, 64, 0, 0, 8, 0, 0,  
0, 0, 0, 4, 176, 191, 40, 180, 11, 0, 132, 176, 176, 8, 176, 139, 139, 184, 155, 176,  
0, 176, 75, 128, 8, 0, 0, 139, 0, 11, 185, 64, 144, 139, 128, 180, 184, 0, 144, 11,  
8, 187, 153, 136, 136, 136, 184, 0, 0, 0, 0, 184, 176, 0, 2, 187, 0, 64, 4, 0,  
155, 82, 36, 128, 64, 0, 0, 11, 187, 171, 9, 72, 9, 201, 139, 68, 139, 72, 176, 11,  
20, 8, 64, 128, 0, 11, 180, 155, 184, 128, 136, 176, 139, 9, 196, 152, 69, 144, 80,  
180,  
64, 64, 136, 18, 75, 185, 184, 68, 187, 4, 187, 144, 180, 180, 75, 162, 180, 34, 36,  
187,  
176, 187, 75, 68, 68, 68, 184, 187, 72, 37, 48, 184, 18, 68, 4, 41, 66, 84, 36, 130,  
9, 68, 74, 254, 125, 197, 170, 36, 95, 84, 81, 68, 187, 68, 180, 36, 180, 68, 64, 68,  
34, 36, 68, 34, 221, 72, 11, 4, 73, 180, 139, 180, 68, 187, 75, 187, 187, 185, 36, 9,  
153, 185, 10, 58, 176, 2, 36, 180, 178, 0, 185, 42, 37, 196, 178, 73, 130, 155, 4, 9,  
160, 148, 148, 146, 110, 249, 184, 144, 187, 187, 68, 185, 144, 68, 68, 75, 187, 187,  
66, 11,  
11, 181, 34, 68, 42, 184, 66, 36, 34, 172, 155, 149, 148, 4, 91, 64, 9, 160, 153, 153,  
218, 185, 37, 73, 188, 41, 153, 155, 68, 185, 41, 68, 66, 187, 43, 187, 11, 11, 148,  
73,  
153, 75, 187, 180, 75, 185, 187, 187, 75, 11, 178, 100, 155, 148, 69, 169, 153, 154,  
170, 153,  
153, 187, 75, 73, 180, 187, 139, 180, 178, 155, 187, 187, 11, 11, 185, 187, 187, 155,  
187, 154,  
128, 4, 90, 0, 0, 0, 8, 139, 139, 176, 136, 176, 8, 0, 0, 0, 11, 136, 0, 176,  
4, 176, 11, 11, 8, 9, 0, 128, 0, 0, 8, 8, 0, 0, 8, 0, 139, 180, 153, 152,  
0, 0, 136, 136, 0, 4, 4, 176, 128, 176, 0, 184, 8, 128, 64, 75, 139, 0, 136, 144,  
128, 8, 136, 144, 0, 8, 0, 139, 136, 0, 0, 4, 155, 0, 187, 8, 180, 11, 187, 139,  
144, 4, 0, 128, 0, 11, 176, 8, 4, 42, 187, 0, 12, 64, 0, 176, 128, 0, 64, 185,  
201, 0, 139, 176, 80, 64, 153, 139, 72, 139, 11, 0, 64, 64, 11, 187, 189, 89, 36, 4,  
75, 66, 75, 136, 185, 180, 187, 148, 36, 11, 9, 4, 176, 176, 9, 252, 155, 21, 36, 4,

4, 68, 75, 64, 36, 75, 184, 72, 0, 180, 27, 145, 21, 36, 84, 11, 132, 187, 0, 130,  
73, 197, 66, 206, 127, 209, 241, 36, 92, 250, 178, 76, 40, 36, 11, 9, 176, 90, 68, 64,  
41, 162, 148, 36, 34, 146, 4, 68, 43, 8, 176, 178, 66, 4, 137, 152, 75, 187, 185, 191,  
105, 139, 186, 169, 68, 181, 69, 187, 0, 64, 149, 44, 172, 212, 1, 221, 146, 88, 2, 9,  
84, 153, 40, 180, 76, 171, 178, 96, 181, 180, 34, 75, 11, 144, 4, 75, 155, 139, 37, 75,  
0, 66, 20, 156, 58, 41, 144, 64, 68, 36, 184, 132, 178, 68, 8, 178, 185, 153, 66, 154,  
84, 178, 73, 73, 199, 249, 68, 153, 180, 73, 164, 84, 187, 187, 75, 187, 187, 187,  
187, 187,  
180, 187, 4, 41, 75, 155, 185, 75, 75, 187, 165, 84, 187, 75, 185, 185, 154, 170, 202,  
170,  
153, 75, 187, 185, 187, 185, 155, 187, 180, 76, 75, 11, 186, 144, 11, 176, 11, 155,  
154, 68,  
128, 64, 204, 8, 128, 32, 11, 185, 176, 8, 0, 0, 176, 0, 176, 0, 8, 136, 128, 128,  
128, 0, 184, 136, 136, 0, 0, 0, 0, 132, 144, 0, 139, 11, 139, 11, 8, 153, 137,  
75, 176, 184, 180, 176, 0, 144, 0, 0, 0, 4, 128, 11, 8, 0, 0, 184, 136, 136, 139,  
8, 155, 128, 136, 128, 136, 0, 144, 136, 139, 136, 0, 75, 64, 11, 137, 132, 184, 0,  
178,  
249, 144, 0, 187, 0, 64, 11, 0, 11, 184, 64, 11, 191, 75, 0, 64, 11, 64, 11, 8,  
146, 169, 11, 180, 148, 75, 185, 139, 181, 155, 180, 2, 4, 148, 5, 32, 9, 75, 64, 36,  
75, 34, 69, 155, 74, 176, 187, 8, 187, 11, 185, 4, 133, 73, 34, 73, 139, 68, 11, 64,  
8, 187, 40, 152, 180, 72, 176, 9, 178, 2, 4, 66, 32, 75, 36, 66, 41, 75, 155, 176,  
68, 22, 66, 175, 252, 255, 115, 34, 146, 202, 146, 36, 41, 98, 36, 66, 180, 152, 73,  
84,  
34, 34, 82, 44, 20, 4, 68, 181, 169, 128, 0, 80, 187, 68, 185, 155, 180, 153, 132, 66,  
41, 152, 164, 153, 153, 185, 148, 75, 144, 68, 180, 66, 73, 84, 2, 221, 159, 104, 68,  
171,  
68, 64, 176, 185, 85, 180, 148, 34, 2, 68, 187, 138, 64, 187, 68, 66, 68, 180, 75, 187,  
146, 176, 68, 175, 113, 146, 150, 20, 64, 36, 66, 176, 2, 18, 128, 148, 153, 169, 176,  
36,  
36, 68, 75, 69, 31, 162, 75, 75, 180, 153, 187, 37, 41, 73, 153, 187, 187, 185, 180,  
187,  
66, 84, 66, 36, 187, 154, 68, 43, 187, 4, 197, 75, 68, 68, 153, 148, 154, 175, 252,  
170,



154, 37, 171, 155, 187, 75, 73, 64, 91, 156, 41, 185, 147, 64, 64, 75, 73, 155, 158,  
41,  
152, 8, 9, 0, 139, 75, 11, 72, 8, 176, 75, 0, 0, 128, 128, 0, 8, 136, 8, 128,  
0, 0, 137, 136, 136, 176, 32, 64, 138, 64, 0, 8, 0, 0, 4, 0, 75, 137, 36, 74,  
43, 32, 11, 137, 2, 72, 0, 0, 128, 136, 11, 136, 187, 11, 0, 144, 0, 128, 139, 155,  
136, 184, 176, 128, 0, 8, 136, 0, 11, 128, 0, 144, 11, 176, 0, 187, 176, 0, 132, 8,  
64, 176, 0, 4, 4, 130, 187, 8, 176, 138, 0, 0, 4, 136, 187, 0, 4, 64, 8, 128,  
184, 11, 11, 136, 132, 0, 184, 152, 138, 251, 0, 11, 64, 2, 176, 0, 68, 34, 69, 80,  
176, 36, 187, 187, 176, 4, 130, 73, 148, 11, 180, 75, 64, 73, 43, 176, 185, 180, 187,  
4,  
74, 34, 152, 139, 38, 75, 64, 4, 0, 154, 66, 34, 180, 144, 73, 146, 18, 153, 155, 75,  
180, 34, 34, 41, 169, 34, 111, 85, 20, 170, 144, 148, 68, 35, 82, 180, 178, 154, 73,  
97,  
68, 36, 4, 68, 34, 9, 40, 184, 154, 187, 4, 4, 66, 64, 180, 107, 185, 152, 64, 132,  
75, 178, 68, 169, 34, 66, 180, 0, 34, 184, 11, 66, 41, 82, 66, 168, 132, 184, 139, 176,  
0, 0, 91, 4, 178, 42, 146, 137, 185, 75, 0, 187, 84, 2, 68, 94, 98, 4, 5, 155,  
153, 180, 11, 68, 169, 170, 177, 20, 11, 73, 136, 0, 69, 137, 187, 5, 88, 91, 139, 155,  
66, 80, 153, 170, 51, 25, 68, 153, 9, 64, 186, 153, 36, 187, 155, 187, 75, 155, 187,  
69,  
37, 80, 187, 171, 185, 86, 75, 68, 41, 68, 36, 75, 155, 68, 154, 185, 162, 205, 126,  
250,  
170, 154, 148, 180, 185, 185, 169, 184, 187, 155, 68, 187, 75, 68, 4, 11, 154, 169,  
181, 153,  
128, 152, 9, 187, 0, 0, 8, 11, 9, 0, 0, 176, 176, 152, 176, 176, 64, 0, 128, 136,  
0, 136, 220, 152, 136, 0, 0, 11, 153, 148, 187, 132, 11, 0, 176, 128, 11, 152, 40, 68,  
144, 184, 136, 180, 136, 11, 186, 128, 152, 8, 176, 176, 0, 128, 11, 0, 137, 184, 187,  
8,  
0, 139, 11, 184, 11, 128, 8, 133, 136, 187, 187, 137, 59, 128, 0, 0, 11, 8, 139, 11,  
176, 11, 180, 180, 0, 64, 165, 136, 176, 64, 11, 184, 0, 0, 187, 0, 148, 4, 132, 8,  
11, 64, 176, 176, 0, 139, 132, 8, 143, 48, 66, 144, 0, 0, 4, 68, 68, 50, 194, 2,  
176, 128, 4, 153, 50, 187, 68, 184, 153, 152, 4, 75, 0, 68, 73, 49, 64, 5, 153, 130,  
80, 148, 4, 153, 22, 68, 36, 4, 176, 188, 2, 42, 144, 144, 66, 180, 165, 187, 153, 187,  
75, 85, 2, 34, 73, 42, 164, 81, 34, 176, 73, 156, 84, 4, 68, 9, 36, 180, 42, 82,

84, 84, 68, 84, 68, 180, 152, 153, 243, 36, 66, 72, 68, 68, 181, 68, 43, 165, 82, 84,  
85, 68, 153, 152, 155, 43, 68, 9, 68, 155, 178, 207, 34, 36, 32, 187, 180, 153, 148,  
148,  
11, 187, 36, 64, 75, 186, 153, 146, 43, 176, 187, 187, 68, 65, 0, 44, 20, 75, 180, 171,  
129, 68, 0, 9, 153, 153, 82, 148, 8, 8, 34, 153, 146, 8, 145, 186, 171, 85, 152, 185,  
187, 180, 188, 236, 169, 201, 43, 187, 187, 153, 137, 155, 148, 187, 185, 187, 187,  
187, 187, 199,  
84, 32, 185, 155, 187, 187, 180, 180, 185, 68, 185, 187, 75, 163, 43, 162, 255, 247,  
119, 220,  
170, 149, 169, 153, 153, 187, 106, 66, 180, 155, 155, 68, 187, 89, 185, 89, 247, 201,  
187, 185,  
8, 0, 11, 11, 11, 176, 139, 0, 8, 153, 176, 8, 176, 176, 128, 8, 155, 0, 0, 184,  
0, 138, 237, 168, 139, 8, 0, 0, 184, 176, 176, 11, 9, 42, 80, 132, 146, 9, 169, 130,  
187, 11, 136, 11, 155, 176, 4, 11, 8, 128, 4, 11, 176, 11, 152, 176, 136, 128, 185,  
139,  
176, 0, 2, 84, 64, 176, 8, 137, 148, 187, 176, 155, 91, 0, 0, 64, 139, 187, 176, 137,  
176, 128, 0, 128, 176, 4, 187, 136, 139, 0, 8, 128, 128, 128, 176, 0, 136, 73, 75, 139,  
136, 79, 155, 0, 155, 184, 4, 144, 11, 137, 68, 74, 32, 75, 185, 177, 84, 184, 66, 68,  
75, 132, 20, 68, 18, 9, 187, 73, 148, 218, 11, 139, 75, 178, 36, 34, 4, 180, 4, 69,  
34, 66, 11, 129, 34, 68, 68, 68, 176, 10, 187, 137, 43, 176, 65, 34, 187, 34, 155, 11,  
148, 68, 11, 37, 2, 73, 40, 34, 64, 69, 154, 175, 82, 176, 36, 187, 43, 139, 33, 84,  
85, 53, 84, 37, 180, 185, 68, 76, 253, 41, 130, 40, 4, 75, 4, 36, 32, 37, 157, 41,  
36, 68, 130, 153, 176, 187, 187, 187, 32, 75, 185, 173, 34, 9, 66, 137, 149, 105, 36,  
16,  
4, 32, 180, 68, 9, 155, 155, 144, 75, 176, 185, 4, 144, 73, 148, 148, 4, 153, 153, 162,  
4, 152, 73, 84, 148, 181, 36, 180, 0, 185, 68, 73, 148, 34, 146, 153, 130, 145, 148,  
154,  
185, 180, 159, 236, 153, 153, 187, 75, 148, 153, 184, 144, 185, 187, 155, 180, 187,  
155, 187, 69,  
91, 68, 180, 75, 187, 187, 155, 187, 187, 180, 187, 185, 155, 148, 75, 180, 172, 206,  
126, 250,  
152, 155, 152, 249, 146, 187, 155, 68, 75, 187, 73, 176, 33, 43, 180, 185, 175, 169,  
187, 185,

0, 4, 176, 0, 11, 0, 136, 0, 136, 136, 11, 136, 136, 128, 136, 0, 136, 136, 64, 8,  
0, 184, 202, 152, 136, 176, 72, 128, 11, 155, 176, 139, 155, 155, 136, 136, 130, 186,  
169, 137,  
152, 137, 148, 64, 187, 187, 8, 128, 0, 8, 8, 136, 0, 137, 176, 11, 136, 128, 176, 176,  
11, 8, 10, 36, 0, 11, 136, 137, 0, 184, 136, 8, 144, 8, 136, 11, 0, 5, 75, 66,  
132, 176, 0, 136, 139, 0, 66, 156, 0, 187, 11, 0, 64, 0, 8, 0, 11, 186, 50, 181,  
72, 167, 242, 72, 187, 33, 66, 11, 11, 178, 82, 148, 68, 184, 9, 133, 84, 73, 4, 68,  
82, 9, 32, 69, 0, 36, 187, 187, 187, 66, 187, 132, 36, 11, 32, 34, 185, 65, 32, 4,  
36, 0, 75, 37, 68, 180, 180, 180, 100, 187, 75, 185, 0, 176, 68, 9, 181, 36, 43, 187,  
65, 43, 4, 187, 36, 32, 137, 98, 68, 0, 154, 34, 66, 36, 75, 186, 36, 153, 68, 85,  
69, 82, 155, 69, 153, 41, 73, 153, 169, 136, 64, 155, 75, 0, 68, 34, 4, 9, 130, 153,  
68, 0, 153, 36, 75, 180, 187, 33, 153, 139, 176, 34, 68, 92, 42, 155, 185, 169, 66, 20,  
75, 73, 64, 68, 66, 185, 152, 187, 64, 187, 136, 185, 180, 37, 43, 9, 41, 73, 155, 255,  
33, 41, 156, 201, 144, 2, 68, 64, 187, 139, 64, 64, 148, 69, 41, 187, 170, 171, 185,  
153,  
185, 176, 185, 169, 153, 169, 185, 185, 146, 25, 180, 139, 187, 146, 164, 11, 180,  
155, 187, 180,  
68, 68, 4, 43, 11, 153, 186, 153, 187, 180, 155, 187, 155, 185, 73, 185, 172, 207,  
255, 170,  
156, 197, 40, 60, 153, 180, 139, 163, 75, 187, 187, 187, 156, 185, 155, 73, 153, 155,  
180, 155,  
72, 144, 0, 128, 136, 4, 136, 184, 176, 184, 137, 155, 176, 176, 187, 8, 136, 8, 128,  
8,  
4, 152, 137, 136, 187, 11, 11, 4, 8, 254, 160, 75, 176, 139, 139, 153, 153, 170, 250,  
170,  
153, 137, 184, 139, 0, 176, 4, 8, 0, 64, 176, 128, 0, 184, 176, 0, 11, 136, 11, 187,  
187, 176, 2, 184, 0, 11, 0, 152, 72, 187, 187, 73, 64, 0, 0, 128, 128, 8, 0, 187,  
8, 8, 0, 144, 128, 8, 155, 145, 132, 187, 187, 75, 180, 0, 8, 128, 176, 34, 242, 36,  
72, 197, 2, 152, 184, 68, 84, 9, 187, 154, 82, 75, 64, 11, 178, 155, 4, 64, 75, 2,  
36, 132, 73, 180, 5, 65, 75, 85, 11, 139, 66, 139, 11, 176, 41, 73, 152, 66, 84, 68,  
64, 185, 0, 128, 180, 187, 68, 2, 84, 68, 64, 11, 64, 180, 4, 68, 128, 36, 64, 128,  
41, 146, 68, 187, 84, 73, 146, 98, 9, 178, 187, 84, 43, 144, 36, 143, 212, 18, 34, 66,  
36, 4, 155, 185, 43, 68, 68, 72, 36, 184, 4, 169, 43, 130, 36, 144, 4, 4, 73, 178,

64, 10, 36, 4, 132, 36, 68, 34, 36, 148, 72, 82, 69, 231, 89, 252, 73, 148, 4, 64,  
68, 45, 105, 75, 180, 68, 187, 72, 82, 136, 146, 185, 187, 66, 203, 148, 33, 34, 139,  
9,  
42, 153, 167, 57, 130, 66, 68, 68, 73, 180, 68, 11, 68, 66, 139, 146, 169, 153, 187,  
66,  
64, 9, 153, 153, 154, 197, 148, 170, 36, 155, 187, 148, 73, 154, 85, 75, 75, 185, 187,  
75,  
73, 36, 180, 155, 185, 187, 178, 154, 169, 148, 178, 187, 187, 185, 155, 155, 66,  
170, 202, 170,  
170, 132, 185, 154, 136, 180, 176, 181, 187, 187, 187, 185, 148, 185, 155, 180, 155,  
73, 12, 201,  
0, 9, 128, 128, 0, 0, 0, 139, 178, 106, 13, 56, 0, 128, 128, 8, 8, 0, 8, 128,  
4, 128, 152, 136, 91, 8, 9, 0, 9, 254, 170, 155, 187, 187, 8, 130, 42, 255, 255, 202,  
170, 136, 155, 187, 0, 8, 139, 0, 136, 128, 8, 0, 8, 8, 128, 0, 11, 184, 11, 144,  
184, 139, 136, 187, 9, 128, 0, 8, 64, 187, 187, 139, 187, 128, 8, 9, 136, 176, 0, 0,  
8, 8, 137, 0, 75, 9, 139, 136, 11, 73, 148, 4, 148, 0, 139, 176, 146, 11, 0, 187,  
73, 186, 75, 139, 0, 128, 36, 68, 153, 44, 82, 36, 187, 148, 75, 73, 176, 68, 5, 68,  
68, 9, 184, 68, 5, 66, 11, 36, 36, 178, 75, 187, 187, 187, 180, 82, 72, 148, 64, 68,  
4, 0, 9, 148, 41, 64, 4, 0, 68, 64, 68, 176, 176, 34, 75, 130, 20, 84, 64, 148,  
170, 252, 8, 66, 2, 43, 9, 33, 148, 8, 180, 4, 36, 156, 80, 75, 64, 75, 36, 45,  
242, 36, 148, 146, 68, 185, 36, 68, 66, 152, 43, 153, 43, 172, 153, 64, 154, 4, 155,  
75,  
64, 9, 64, 4, 180, 32, 73, 2, 164, 75, 187, 68, 66, 102, 86, 170, 34, 149, 36, 64,  
68, 44, 196, 187, 75, 180, 186, 187, 41, 187, 137, 155, 187, 148, 36, 68, 75, 188, 72,  
137,  
132, 153, 159, 169, 139, 152, 144, 68, 176, 132, 41, 16, 68, 180, 0, 153, 41, 68, 187,  
180,  
176, 153, 180, 153, 173, 124, 220, 169, 68, 187, 187, 73, 82, 25, 81, 43, 180, 37,  
187, 180,  
185, 25, 41, 187, 186, 187, 155, 153, 241, 155, 165, 155, 81, 75, 155, 74, 89, 154,  
170, 158,  
217, 168, 153, 184, 64, 0, 176, 187, 180, 75, 176, 11, 153, 185, 244, 148, 185, 155,  
180, 194,

137, 0, 139, 152, 148, 136, 136, 187, 137, 41, 138, 200, 128, 0, 12, 88, 176, 8, 176,  
4,  
64, 4, 168, 132, 244, 176, 184, 176, 9, 138, 136, 139, 11, 75, 136, 153, 172, 254,  
238, 252,  
170, 168, 136, 187, 11, 4, 184, 11, 176, 11, 187, 0, 176, 185, 8, 128, 136, 128, 136,  
136,  
187, 152, 155, 0, 68, 176, 72, 128, 0, 0, 184, 128, 0, 184, 11, 0, 176, 64, 0, 0,  
0, 8, 128, 8, 0, 8, 128, 130, 0, 11, 187, 187, 162, 176, 0, 11, 34, 68, 0, 146,  
72, 187, 187, 176, 128, 184, 0, 176, 2, 165, 41, 176, 187, 187, 187, 184, 187, 4, 4, 0,  
178, 36, 184, 64, 64, 187, 168, 68, 85, 83, 75, 43, 36, 11, 68, 68, 187, 153, 144, 68,  
84, 187, 128, 4, 155, 4, 0, 66, 43, 148, 180, 187, 187, 180, 66, 187, 11, 64, 4, 33,  
207, 118, 171, 188, 34, 80, 185, 150, 162, 176, 178, 66, 34, 150, 148, 41, 68, 73, 34,  
199,  
50, 41, 185, 162, 176, 180, 75, 36, 154, 153, 34, 187, 9, 243, 164, 64, 144, 68, 75,  
180,  
68, 68, 176, 11, 2, 25, 184, 188, 58, 187, 187, 4, 68, 169, 156, 185, 187, 36, 64, 0,  
4, 66, 153, 180, 11, 64, 69, 36, 32, 187, 137, 75, 139, 146, 0, 66, 152, 186, 153, 154,  
36, 72, 153, 137, 186, 185, 148, 36, 0, 0, 9, 249, 68, 9, 75, 75, 187, 185, 42, 180,  
73, 66, 180, 155, 205, 236, 18, 155, 180, 75, 185, 185, 69, 107, 148, 68, 66, 187,  
185, 185,  
185, 187, 187, 11, 187, 155, 187, 162, 42, 187, 86, 146, 49, 36, 187, 65, 196, 185,  
169, 170,  
170, 139, 185, 176, 8, 8, 187, 176, 180, 187, 187, 11, 187, 180, 203, 186, 187, 187,  
187, 69,  
128, 128, 154, 152, 155, 136, 128, 139, 136, 136, 187, 136, 144, 0, 129, 200, 11,  
187, 0, 8,  
176, 137, 139, 187, 184, 139, 136, 8, 139, 136, 133, 152, 155, 171, 36, 154, 175,  
231, 119, 223,  
202, 169, 137, 73, 176, 11, 155, 153, 9, 0, 187, 176, 11, 136, 136, 8, 0, 128, 137,  
139,  
0, 185, 153, 8, 64, 0, 11, 11, 176, 176, 0, 0, 72, 176, 75, 176, 0, 185, 176, 0,  
0, 139, 11, 0, 187, 128, 8, 207, 176, 8, 136, 75, 156, 171, 176, 11, 128, 152, 0, 9,  
73, 139, 176, 75, 185, 136, 187, 0, 73, 82, 153, 148, 187, 187, 9, 43, 187, 176, 0, 68,

1, 36, 74, 162, 176, 184, 0, 64, 68, 34, 68, 50, 10, 24, 33, 68, 185, 156, 116, 178,  
84, 64, 176, 176, 197, 91, 4, 42, 4, 154, 180, 11, 139, 178, 18, 180, 187, 176, 68, 34,  
108, 218, 146, 187, 144, 4, 130, 85, 102, 4, 130, 66, 34, 250, 185, 152, 130, 68, 73,  
222,  
21, 146, 169, 34, 68, 185, 137, 37, 206, 36, 73, 187, 69, 169, 68, 75, 146, 75, 37, 68,  
66, 187, 180, 11, 146, 4, 75, 184, 146, 11, 180, 32, 73, 68, 73, 66, 4, 41, 66, 66,  
4, 68, 146, 2, 64, 187, 68, 38, 114, 187, 184, 153, 11, 148, 4, 4, 180, 154, 89, 26,  
32, 36, 185, 153, 84, 155, 137, 100, 185, 68, 69, 153, 68, 146, 34, 75, 68, 137, 95,  
43,  
187, 97, 180, 164, 36, 75, 185, 185, 36, 180, 37, 148, 75, 187, 181, 34, 34, 153, 180,  
162,  
75, 187, 155, 176, 187, 75, 187, 185, 187, 187, 66, 180, 82, 75, 187, 186, 41, 186,  
168, 153,  
169, 139, 176, 32, 8, 128, 171, 180, 180, 187, 75, 180, 43, 187, 187, 185, 73, 187,  
187, 153,  
0, 136, 137, 8, 72, 8, 139, 128, 4, 64, 8, 136, 136, 0, 8, 128, 64, 4, 176, 128,  
139, 136, 139, 128, 187, 176, 8, 0, 0, 139, 130, 40, 155, 139, 41, 170, 207, 231, 119,  
239,  
202, 169, 137, 152, 185, 40, 152, 155, 4, 11, 9, 0, 0, 137, 0, 8, 176, 0, 136, 0,  
8, 184, 153, 139, 176, 0, 0, 64, 0, 0, 187, 184, 43, 155, 72, 128, 4, 176, 4, 176,  
8, 8, 0, 0, 64, 139, 176, 36, 180, 11, 176, 11, 37, 170, 9, 75, 148, 128, 68, 187,  
187, 176, 176, 176, 185, 4, 4, 153, 186, 164, 152, 149, 43, 11, 185, 132, 36, 176,  
137, 176,  
68, 64, 42, 251, 176, 11, 176, 184, 11, 4, 68, 164, 149, 28, 54, 84, 64, 172, 56, 68,  
64, 68, 64, 0, 90, 32, 66, 245, 75, 152, 148, 34, 187, 184, 84, 0, 132, 75, 4, 66,  
85, 40, 153, 148, 66, 0, 198, 41, 41, 139, 139, 34, 66, 125, 82, 148, 35, 68, 68, 99,  
193, 172, 139, 76, 73, 41, 154, 45, 193, 36, 75, 64, 152, 69, 162, 64, 64, 75, 149, 66,  
41, 148, 64, 146, 4, 66, 36, 146, 43, 9, 37, 180, 0, 160, 66, 68, 178, 73, 176, 68,  
4, 36, 148, 64, 180, 185, 68, 74, 21, 11, 185, 155, 184, 145, 144, 68, 68, 89, 171, 37,  
175, 162, 196, 155, 162, 75, 9, 52, 65, 32, 178, 34, 74, 178, 17, 80, 43, 0, 130, 89,  
180, 148, 146, 68, 155, 155, 144, 187, 36, 180, 153, 186, 36, 187, 2, 68, 36, 34, 187,  
25,

187, 185, 75, 75, 11, 155, 34, 73, 180, 187, 148, 66, 75, 187, 187, 180, 153, 155,  
185, 136,  
187, 73, 180, 146, 154, 8, 178, 85, 36, 187, 187, 43, 180, 187, 185, 177, 203, 180,  
187, 187,  
9, 136, 152, 136, 73, 187, 187, 160, 0, 0, 0, 9, 0, 11, 64, 0, 178, 68, 0, 8,  
18, 144, 64, 176, 136, 128, 128, 176, 0, 11, 11, 152, 176, 152, 32, 153, 170, 254,  
126, 252,  
170, 153, 137, 139, 139, 187, 128, 8, 0, 0, 72, 4, 0, 128, 64, 8, 8, 72, 152, 139,  
11, 184, 8, 184, 0, 0, 4, 68, 11, 0, 0, 137, 128, 137, 176, 128, 4, 152, 180, 128,  
136, 0, 0, 187, 0, 75, 0, 64, 176, 180, 0, 73, 108, 34, 187, 153, 114, 176, 4, 8,  
176, 176, 187, 139, 4, 64, 4, 64, 180, 64, 75, 185, 168, 128, 178, 185, 213, 64, 2, 80,  
0, 64, 44, 232, 184, 148, 82, 64, 72, 68, 187, 176, 85, 36, 68, 36, 4, 187, 153, 144,  
68, 5, 64, 132, 34, 154, 241, 249, 68, 139, 180, 187, 8, 187, 32, 75, 66, 0, 36, 68,  
148, 178, 43, 132, 73, 69, 86, 33, 41, 4, 178, 75, 2, 82, 132, 197, 146, 41, 75, 153,  
165, 152, 132, 32, 73, 185, 154, 167, 218, 53, 68, 75, 137, 149, 9, 66, 180, 176, 185,  
180,  
41, 187, 0, 185, 98, 178, 43, 2, 11, 176, 64, 41, 68, 68, 15, 25, 196, 162, 8, 184,  
4, 73, 68, 132, 34, 37, 155, 32, 180, 187, 178, 185, 4, 180, 75, 148, 185, 9, 171, 1,  
78, 90, 210, 171, 186, 169, 139, 144, 2, 68, 72, 178, 38, 34, 103, 100, 64, 153, 44,  
184,  
41, 164, 68, 185, 180, 75, 185, 176, 187, 84, 159, 73, 185, 149, 68, 11, 11, 178, 155,  
180,  
187, 68, 187, 73, 187, 75, 187, 89, 75, 187, 43, 178, 187, 187, 187, 75, 68, 187, 164,  
128,  
11, 184, 136, 4, 42, 128, 73, 36, 68, 9, 11, 73, 164, 68, 153, 186, 153, 4, 75, 187,  
136, 136, 139, 136, 152, 8, 148, 184, 8, 0, 0, 0, 11, 136, 176, 11, 8, 0, 137, 0,  
203, 0, 64, 8, 136, 176, 32, 64, 11, 136, 0, 136, 128, 11, 11, 146, 202, 255, 255, 252,  
170, 152, 187, 184, 144, 180, 75, 155, 4, 8, 176, 8, 8, 43, 0, 4, 0, 11, 136, 184,  
0, 11, 0, 0, 0, 11, 0, 0, 176, 176, 8, 139, 0, 11, 128, 128, 11, 73, 153, 8,  
0, 8, 128, 0, 187, 176, 68, 136, 0, 0, 0, 184, 72, 203, 176, 4, 202, 136, 4, 73,  
36, 4, 11, 153, 49, 68, 43, 176, 139, 176, 73, 76, 56, 155, 0, 0, 75, 8, 4, 11,  
9, 9, 186, 132, 155, 64, 91, 64, 4, 37, 184, 187, 69, 0, 68, 98, 82, 73, 75, 21,  
64, 185, 75, 68, 34, 139, 32, 18, 4, 176, 75, 178, 180, 146, 34, 0, 66, 75, 32, 66,

153, 155, 178, 43, 85, 34, 81, 66, 68, 68, 66, 4, 34, 66, 136, 73, 159, 91, 132, 153,  
162, 165, 166, 100, 186, 2, 187, 185, 69, 37, 69, 68, 41, 145, 84, 4, 4, 180, 139, 184,  
11, 164, 180, 187, 202, 69, 128, 185, 73, 9, 180, 153, 64, 64, 180, 41, 49, 187, 148,  
32,  
0, 153, 187, 162, 31, 222, 152, 132, 64, 75, 186, 169, 41, 155, 148, 41, 146, 75, 178,  
203,  
37, 173, 194, 41, 199, 249, 155, 155, 0, 4, 73, 16, 37, 72, 37, 53, 0, 4, 47, 64,  
181, 20, 75, 187, 180, 164, 176, 204, 4, 37, 190, 20, 187, 180, 73, 153, 185, 153, 11,  
11,  
155, 187, 187, 36, 36, 66, 185, 89, 74, 50, 75, 180, 180, 146, 171, 178, 187, 153,  
185, 180,  
185, 184, 4, 128, 153, 176, 75, 180, 75, 4, 64, 154, 84, 75, 155, 187, 36, 185, 187,  
187,  
184, 184, 139, 0, 176, 9, 187, 184, 0, 8, 128, 128, 128, 137, 4, 0, 8, 11, 139, 2,  
89, 0, 8, 0, 128, 128, 128, 0, 2, 11, 0, 152, 152, 0, 11, 185, 154, 207, 252, 170,  
169, 136, 136, 139, 184, 187, 139, 128, 176, 0, 136, 184, 8, 128, 0, 128, 9, 91, 185,  
34,  
0, 8, 8, 32, 0, 139, 43, 128, 0, 136, 152, 128, 176, 176, 184, 185, 0, 146, 169, 40,  
9, 128, 0, 8, 187, 0, 72, 8, 176, 72, 176, 187, 75, 0, 11, 169, 136, 75, 11, 187,  
84, 32, 8, 21, 18, 66, 64, 8, 136, 137, 68, 11, 137, 146, 153, 75, 176, 171, 176, 144,  
75, 153, 36, 84, 153, 185, 185, 68, 9, 152, 36, 176, 11, 66, 0, 34, 68, 187, 34, 197,  
64, 75, 185, 37, 50, 148, 4, 144, 11, 0, 36, 176, 186, 198, 20, 64, 4, 11, 0, 187,  
136, 75, 155, 85, 36, 175, 36, 34, 68, 4, 146, 33, 68, 72, 180, 153, 159, 32, 185, 180,  
41, 198, 66, 2, 35, 165, 34, 75, 75, 68, 4, 4, 41, 6, 18, 68, 36, 68, 68, 130,  
74, 234, 178, 36, 187, 91, 8, 194, 159, 204, 89, 139, 146, 0, 186, 153, 154, 139, 180,  
132,  
180, 155, 180, 36, 68, 37, 42, 144, 187, 75, 154, 236, 148, 187, 187, 139, 1, 66, 66,  
41,  
153, 231, 245, 66, 166, 197, 41, 43, 176, 8, 187, 132, 128, 0, 138, 101, 66, 0, 9, 152,  
149, 101, 75, 64, 66, 164, 176, 102, 149, 5, 178, 68, 154, 144, 0, 187, 148, 155, 43,  
187,  
73, 187, 180, 206, 102, 84, 11, 73, 186, 82, 146, 180, 187, 148, 34, 68, 180, 153,  
169, 185,



75, 139, 128, 0, 144, 144, 11, 132, 9, 128, 64, 34, 176, 41, 73, 43, 180, 187, 155,  
187,  
187, 184, 8, 0, 0, 184, 4, 136, 0, 0, 176, 128, 0, 144, 64, 8, 8, 128, 176, 178,  
0, 64, 0, 136, 184, 8, 136, 73, 184, 0, 0, 72, 0, 8, 184, 137, 170, 218, 223, 170,  
153, 139, 155, 176, 187, 180, 184, 136, 0, 8, 0, 8, 136, 188, 251, 8, 12, 192, 11, 36,  
0, 128, 180, 64, 0, 185, 152, 0, 0, 8, 136, 75, 187, 176, 0, 136, 0, 8, 136, 153,  
213, 0, 128, 185, 180, 8, 136, 8, 8, 9, 0, 11, 184, 139, 149, 125, 169, 155, 187, 187,  
36, 66, 0, 34, 68, 65, 144, 72, 136, 4, 0, 68, 68, 162, 50, 153, 137, 58, 153, 64,  
0, 130, 96, 84, 75, 187, 73, 196, 73, 75, 152, 68, 185, 4, 107, 66, 17, 244, 4, 82,  
64, 68, 180, 38, 98, 66, 66, 187, 9, 11, 64, 187, 187, 67, 27, 148, 64, 0, 68, 34,  
0, 73, 185, 178, 42, 231, 98, 75, 65, 74, 84, 37, 34, 43, 187, 153, 74, 41, 4, 89,  
68, 193, 68, 68, 34, 180, 8, 75, 181, 84, 66, 68, 99, 82, 36, 0, 26, 11, 152, 148,  
186, 250, 178, 25, 180, 180, 4, 101, 94, 213, 162, 11, 176, 64, 5, 155, 73, 155, 36,  
148,  
155, 155, 41, 66, 68, 153, 37, 169, 144, 148, 156, 225, 187, 43, 198, 75, 180, 178,  
146, 164,  
137, 243, 153, 153, 138, 229, 160, 148, 8, 191, 107, 5, 73, 128, 11, 75, 73, 72, 128,  
153,  
85, 36, 64, 10, 201, 66, 20, 41, 36, 146, 180, 75, 153, 27, 66, 74, 153, 68, 41, 169,  
187, 68, 185, 199, 241, 68, 187, 155, 187, 185, 210, 187, 180, 148, 21, 68, 185, 148,  
171, 180,  
185, 187, 176, 72, 187, 0, 187, 153, 68, 0, 185, 153, 68, 185, 43, 185, 34, 187, 180,  
187,  
8, 11, 176, 0, 11, 128, 180, 128, 0, 128, 0, 176, 8, 11, 132, 0, 136, 184, 176, 64,  
132, 184, 0, 0, 0, 8, 11, 11, 128, 128, 0, 136, 136, 8, 72, 75, 187, 154, 170, 169,  
152, 153, 173, 164, 8, 187, 185, 176, 128, 0, 144, 5, 0, 8, 64, 0, 136, 8, 0, 184,  
0, 0, 0, 176, 128, 176, 139, 0, 0, 11, 184, 187, 64, 0, 0, 176, 2, 136, 66, 153,  
201, 176, 0, 137, 0, 4, 152, 11, 0, 0, 187, 136, 136, 176, 4, 252, 187, 73, 148, 128,  
176, 41, 64, 101, 75, 0, 11, 187, 184, 155, 139, 146, 4, 185, 82, 187, 146, 153, 202,  
36,  
0, 132, 68, 176, 187, 180, 171, 5, 185, 187, 176, 180, 43, 73, 27, 66, 95, 218, 146,  
68,  
68, 37, 68, 167, 113, 86, 84, 64, 184, 176, 68, 75, 68, 33, 37, 187, 11, 187, 73, 64,

11, 178, 27, 187, 137, 165, 34, 64, 4, 178, 108, 34, 68, 73, 146, 144, 134, 155, 36,  
68,  
34, 36, 68, 68, 34, 68, 146, 73, 34, 84, 180, 73, 197, 75, 73, 72, 180, 155, 138, 155,  
187, 41, 146, 105, 68, 176, 74, 37, 41, 89, 176, 4, 33, 75, 185, 68, 75, 187, 178, 53,  
184, 187, 202, 68, 153, 73, 37, 5, 68, 155, 156, 162, 184, 185, 175, 0, 0, 137, 0, 66,  
184, 172, 153, 185, 34, 21, 73, 155, 187, 66, 169, 73, 170, 187, 68, 73, 74, 153, 128,  
37,  
49, 68, 68, 156, 50, 185, 155, 74, 198, 153, 180, 36, 187, 68, 98, 25, 155, 43, 178,  
43,  
180, 185, 185, 33, 68, 180, 73, 153, 75, 187, 164, 187, 75, 86, 36, 43, 36, 68, 153,  
187,  
187, 187, 155, 75, 176, 0, 9, 159, 148, 153, 153, 75, 68, 187, 36, 176, 20, 180, 68,  
11,  
128, 155, 8, 4, 0, 11, 11, 176, 8, 187, 0, 8, 0, 136, 144, 144, 8, 0, 8, 0,  
136, 0, 0, 139, 11, 0, 0, 144, 8, 187, 176, 184, 136, 153, 139, 152, 155, 153, 170,  
152,  
138, 168, 154, 185, 139, 0, 11, 128, 0, 136, 187, 4, 176, 0, 11, 128, 176, 0, 0, 8,  
139, 0, 187, 8, 187, 176, 176, 11, 128, 128, 11, 128, 187, 36, 0, 0, 176, 138, 75, 176,  
9, 0, 0, 0, 11, 72, 128, 0, 8, 0, 8, 139, 139, 155, 128, 153, 155, 191, 201, 184,  
180, 47, 16, 34, 66, 36, 66, 64, 73, 139, 4, 128, 64, 176, 130, 4, 36, 10, 237, 4,  
11, 11, 136, 176, 187, 185, 160, 178, 11, 184, 136, 5, 100, 75, 153, 221, 53, 173, 98,  
178,  
68, 37, 68, 37, 22, 85, 68, 68, 4, 132, 180, 73, 148, 180, 69, 149, 32, 186, 43, 176,  
75, 4, 153, 187, 137, 145, 68, 80, 68, 178, 109, 64, 64, 89, 137, 171, 4, 43, 0, 4,  
68, 64, 180, 66, 68, 38, 32, 66, 82, 64, 146, 152, 68, 73, 148, 180, 75, 187, 152, 43,  
184, 178, 69, 43, 187, 185, 153, 185, 180, 8, 184, 72, 65, 153, 185, 75, 101, 187,  
186, 50,  
68, 180, 82, 11, 44, 36, 176, 0, 187, 74, 169, 36, 180, 148, 66, 69, 149, 185, 0, 34,  
169, 153, 155, 187, 66, 213, 41, 68, 68, 68, 36, 156, 218, 180, 0, 75, 187, 153, 187,  
186,  
89, 139, 0, 154, 164, 73, 148, 42, 243, 41, 185, 68, 187, 178, 85, 155, 180, 75, 180,  
187,

187, 187, 155, 177, 89, 181, 26, 73, 187, 75, 148, 187, 187, 69, 68, 73, 53, 84, 155,  
10,  
185, 187, 180, 176, 73, 75, 185, 186, 8, 153, 10, 169, 68, 11, 180, 176, 73, 68, 155,  
75,  
139, 144, 0, 132, 164, 136, 187, 0, 128, 11, 11, 75, 0, 136, 184, 0, 132, 0, 0, 0,  
128, 128, 136, 139, 0, 11, 136, 128, 185, 64, 75, 138, 153, 184, 0, 8, 176, 185, 169,  
137,  
137, 176, 180, 75, 187, 180, 203, 8, 136, 8, 64, 184, 137, 136, 184, 184, 136, 0, 176,  
139,  
176, 184, 176, 72, 187, 43, 11, 0, 176, 8, 0, 9, 139, 64, 0, 0, 180, 68, 4, 0,  
9, 128, 11, 128, 0, 9, 9, 80, 8, 82, 8, 11, 4, 136, 137, 184, 8, 158, 58, 139,  
0, 176, 8, 4, 0, 64, 5, 36, 11, 0, 187, 139, 64, 0, 43, 9, 58, 185, 152, 8,  
75, 36, 148, 187, 187, 187, 75, 75, 153, 185, 132, 73, 68, 176, 185, 222, 114, 163,  
149, 166,  
84, 4, 82, 84, 69, 34, 68, 36, 34, 64, 73, 162, 164, 68, 68, 180, 68, 188, 105, 128,  
9, 75, 185, 108, 70, 164, 75, 85, 16, 0, 36, 68, 32, 36, 153, 2, 11, 68, 32, 73,  
0, 66, 37, 37, 180, 34, 144, 4, 64, 76, 84, 185, 75, 188, 212, 148, 37, 80, 4, 152,  
155, 148, 34, 43, 68, 154, 90, 155, 4, 185, 152, 139, 64, 11, 64, 4, 68, 153, 73, 36,  
178, 36, 68, 146, 171, 68, 64, 180, 187, 158, 122, 91, 68, 82, 36, 75, 85, 144, 4, 37,  
153, 129, 20, 154, 42, 82, 74, 187, 33, 42, 153, 159, 124, 187, 4, 68, 187, 185, 180,  
181,  
136, 34, 153, 156, 36, 155, 36, 154, 34, 185, 155, 73, 76, 154, 213, 11, 187, 180,  
178, 176,  
155, 180, 75, 180, 155, 69, 27, 90, 187, 91, 180, 187, 187, 178, 89, 180, 21, 84, 155,  
180,  
68, 185, 154, 187, 184, 75, 176, 154, 84, 41, 150, 201, 155, 187, 187, 176, 187, 187,  
75, 187,  
128, 0, 8, 139, 34, 64, 11, 144, 0, 136, 153, 176, 8, 140, 0, 2, 0, 8, 11, 10,  
168, 4, 152, 0, 8, 75, 148, 0, 176, 0, 9, 184, 136, 11, 139, 152, 180, 72, 169, 152,  
136, 136, 169, 187, 178, 68, 11, 11, 136, 184, 0, 0, 8, 128, 11, 180, 180, 0, 176, 176,  
8, 187, 45, 9, 4, 0, 187, 128, 0, 8, 4, 8, 139, 64, 0, 0, 13, 197, 32, 136,  
184, 176, 176, 155, 136, 184, 11, 68, 75, 197, 144, 0, 75, 88, 184, 176, 176, 136,  
153, 128,

0, 34, 0, 180, 139, 0, 4, 0, 176, 184, 32, 0, 185, 75, 176, 154, 185, 162, 40, 132,  
180, 36, 180, 75, 180, 75, 0, 0, 66, 75, 185, 155, 36, 184, 187, 69, 42, 68, 73, 164,  
176, 66, 49, 20, 68, 82, 37, 98, 66, 11, 138, 137, 75, 176, 4, 68, 11, 2, 155, 184,  
137, 36, 37, 32, 64, 68, 154, 38, 52, 73, 180, 36, 0, 34, 169, 145, 85, 2, 160, 155,  
66, 165, 22, 41, 149, 34, 160, 68, 180, 132, 169, 187, 36, 32, 154, 148, 66, 75, 36,  
184,  
139, 137, 68, 184, 89, 162, 162, 84, 36, 132, 74, 148, 185, 9, 40, 0, 68, 75, 66, 0,  
0, 2, 75, 8, 187, 181, 66, 64, 36, 156, 242, 32, 128, 4, 36, 36, 130, 155, 180, 178,  
164, 34, 36, 77, 162, 187, 155, 73, 47, 58, 148, 154, 218, 68, 187, 75, 187, 155, 187,  
180,  
187, 154, 159, 153, 187, 187, 187, 187, 185, 66, 171, 75, 157, 153, 249, 68, 185,  
180, 166, 187,  
155, 73, 187, 180, 153, 178, 75, 171, 187, 75, 68, 75, 153, 4, 68, 171, 164, 68, 155,  
187,  
187, 155, 36, 180, 185, 187, 75, 178, 203, 184, 185, 185, 187, 180, 75, 128, 75, 68,  
187, 9,  
144, 0, 8, 132, 0, 0, 132, 144, 136, 68, 8, 0, 0, 0, 75, 64, 128, 180, 8, 185,  
136, 0, 8, 8, 184, 8, 64, 4, 0, 8, 222, 187, 139, 75, 0, 0, 75, 4, 43, 128,  
187, 130, 180, 187, 181, 169, 136, 8, 187, 160, 0, 0, 128, 0, 8, 187, 0, 176, 43, 36,  
187, 187, 163, 152, 73, 11, 176, 152, 176, 176, 176, 136, 187, 0, 11, 0, 180, 64, 4,  
176,  
184, 8, 152, 144, 154, 32, 185, 0, 4, 144, 0, 0, 75, 0, 139, 11, 187, 128, 153, 0,  
187, 187, 0, 136, 11, 152, 34, 75, 4, 152, 11, 136, 187, 0, 8, 157, 73, 187, 0, 180,  
136, 8, 9, 136, 67, 34, 75, 0, 180, 21, 41, 137, 64, 4, 75, 178, 171, 155, 68, 185,  
155, 0, 82, 4, 66, 146, 33, 52, 181, 65, 98, 72, 34, 132, 68, 75, 66, 153, 152, 187,  
137, 180, 153, 68, 4, 66, 75, 68, 4, 185, 9, 68, 163, 154, 220, 84, 144, 11, 68, 68,  
10, 172, 165, 22, 150, 105, 180, 75, 74, 132, 152, 153, 64, 68, 68, 139, 4, 68, 43, 34,  
64, 11, 75, 137, 154, 43, 91, 37, 66, 68, 186, 187, 66, 4, 68, 0, 66, 180, 176, 176,  
185, 136, 187, 73, 73, 33, 86, 18, 172, 42, 132, 144, 144, 0, 4, 64, 146, 36, 144, 69,  
58, 25, 66, 149, 43, 184, 201, 162, 175, 247, 249, 72, 34, 146, 155, 185, 180, 175,  
43, 185,  
43, 68, 175, 153, 164, 176, 187, 11, 155, 68, 11, 188, 246, 187, 148, 153, 139, 180,  
195, 153,

187, 187, 191, 18, 68, 187, 176, 171, 82, 73, 84, 171, 185, 187, 37, 84, 34, 68, 73,  
185,  
187, 153, 155, 66, 178, 176, 68, 185, 180, 75, 180, 75, 144, 180, 176, 187, 176, 75,  
187, 185,  
72, 8, 0, 0, 8, 0, 0, 144, 11, 8, 68, 68, 128, 0, 9, 176, 2, 64, 8, 184,  
100, 128, 137, 128, 0, 128, 128, 132, 139, 11, 44, 155, 8, 0, 4, 176, 0, 0, 40, 128,  
8, 8, 75, 11, 184, 163, 187, 8, 139, 136, 0, 8, 128, 8, 185, 176, 176, 64, 176, 148,  
68, 187, 184, 137, 203, 41, 198, 68, 0, 8, 8, 136, 136, 0, 128, 180, 9, 8, 137, 184,  
8, 90, 0, 137, 185, 136, 180, 11, 137, 11, 72, 128, 10, 59, 64, 75, 11, 136, 180, 4,  
8, 4, 185, 152, 139, 146, 66, 153, 75, 187, 4, 11, 64, 43, 9, 66, 36, 75, 137, 9,  
73, 169, 153, 153, 4, 68, 176, 64, 4, 155, 185, 64, 84, 5, 187, 180, 128, 171, 4, 66,  
187, 146, 43, 75, 178, 36, 47, 113, 160, 9, 34, 139, 85, 146, 68, 64, 162, 86, 168,  
180,  
64, 64, 86, 36, 176, 152, 187, 153, 4, 0, 68, 144, 180, 10, 115, 45, 84, 148, 37, 64,  
156, 125, 201, 154, 144, 136, 9, 74, 34, 146, 132, 129, 100, 4, 72, 75, 187, 176, 148,  
43,  
64, 66, 75, 153, 155, 34, 74, 68, 64, 9, 68, 36, 80, 68, 27, 11, 9, 187, 148, 11,  
185, 155, 178, 184, 132, 68, 37, 68, 73, 176, 11, 139, 32, 68, 180, 64, 66, 188, 98,  
73,  
162, 148, 180, 152, 153, 73, 218, 159, 124, 170, 163, 84, 72, 11, 171, 73, 154, 69,  
149, 180,  
64, 187, 0, 149, 50, 178, 187, 176, 187, 36, 176, 65, 81, 36, 75, 187, 187, 187, 180,  
155,  
185, 148, 4, 36, 187, 155, 187, 11, 34, 74, 41, 68, 187, 4, 82, 4, 36, 187, 185, 153,  
185, 155, 187, 68, 82, 73, 187, 0, 153, 149, 153, 187, 187, 176, 187, 68, 176, 11,  
176, 155,  
176, 0, 0, 176, 0, 8, 0, 11, 128, 0, 128, 176, 144, 138, 150, 171, 176, 13, 201, 136,  
169, 176, 8, 176, 0, 0, 184, 4, 0, 128, 137, 139, 8, 136, 64, 176, 11, 139, 152, 139,  
176, 0, 8, 132, 139, 11, 8, 0, 11, 0, 0, 0, 4, 8, 8, 155, 64, 0, 64, 176,  
187, 176, 153, 136, 168, 176, 11, 132, 0, 8, 187, 152, 184, 155, 139, 0, 187, 176,  
187, 176,  
8, 165, 128, 8, 0, 184, 0, 11, 136, 184, 144, 128, 9, 154, 196, 9, 155, 2, 0, 64,  
187, 68, 89, 144, 180, 178, 75, 132, 0, 5, 41, 184, 36, 36, 68, 167, 203, 187, 130, 66,

163, 218, 73, 155, 176, 66, 75, 132, 64, 176, 184, 4, 36, 180, 178, 75, 180, 8, 153,  
75,  
9, 4, 34, 64, 36, 2, 37, 108, 130, 68, 132, 47, 20, 207, 43, 75, 175, 194, 169, 184,  
144, 64, 2, 34, 68, 187, 0, 178, 68, 37, 64, 66, 128, 95, 250, 172, 98, 75, 81, 34,  
175, 126, 202, 153, 139, 178, 153, 47, 202, 36, 133, 4, 64, 178, 68, 180, 171, 82, 0,  
75,  
11, 137, 137, 154, 139, 75, 188, 32, 180, 178, 185, 33, 64, 185, 68, 64, 4, 152, 176,  
185,  
41, 72, 180, 73, 155, 69, 64, 4, 64, 43, 187, 176, 32, 0, 9, 82, 187, 178, 34, 36,  
68, 34, 180, 178, 157, 90, 8, 76, 117, 168, 69, 85, 36, 68, 34, 73, 185, 168, 9, 187,  
64, 187, 164, 37, 82, 153, 160, 180, 155, 164, 11, 73, 18, 180, 128, 180, 75, 180,  
187, 149,  
68, 148, 68, 68, 11, 75, 187, 187, 180, 148, 153, 68, 187, 187, 66, 75, 75, 187, 185,  
185,  
41, 155, 187, 180, 68, 68, 108, 8, 137, 152, 139, 187, 187, 180, 144, 43, 187, 187,  
185, 11,  
8, 0, 0, 0, 11, 139, 11, 0, 11, 187, 0, 32, 187, 8, 9, 75, 139, 78, 237, 160,  
176, 136, 11, 184, 64, 136, 0, 139, 0, 2, 0, 155, 128, 0, 4, 187, 0, 153, 160, 180,  
187, 11, 136, 4, 155, 176, 128, 0, 8, 0, 0, 11, 0, 137, 11, 128, 0, 11, 0, 11,  
0, 0, 136, 187, 176, 176, 11, 128, 128, 0, 132, 0, 155, 184, 0, 176, 0, 144, 187, 0,  
0, 64, 139, 187, 128, 9, 8, 187, 8, 139, 69, 176, 11, 4, 4, 11, 139, 178, 4, 72,  
176, 139, 187, 43, 8, 11, 9, 74, 40, 146, 98, 185, 4, 64, 36, 173, 91, 146, 53, 34,  
156, 153, 155, 137, 187, 180, 187, 155, 187, 187, 128, 144, 68, 180, 4, 2, 187, 68,  
40, 75,  
5, 72, 75, 180, 75, 36, 75, 146, 171, 187, 180, 38, 82, 247, 196, 42, 247, 170, 130,  
34,  
68, 185, 148, 68, 68, 75, 4, 66, 34, 37, 64, 68, 11, 185, 42, 148, 17, 41, 87, 18,  
172, 223, 169, 169, 153, 37, 98, 199, 217, 152, 152, 155, 11, 73, 75, 186, 41, 176,  
17, 75,  
73, 153, 40, 150, 41, 2, 36, 68, 66, 66, 132, 162, 68, 8, 68, 4, 36, 68, 148, 153,  
153, 185, 75, 136, 84, 180, 75, 180, 176, 73, 69, 84, 180, 68, 9, 73, 178, 184, 144,  
36,

32, 4, 187, 185, 138, 104, 153, 82, 101, 153, 73, 33, 164, 178, 82, 185, 137, 176, 0,  
43,  
180, 164, 169, 148, 187, 185, 144, 154, 73, 43, 68, 180, 155, 176, 180, 68, 73, 32,  
180, 191,  
75, 180, 43, 75, 37, 43, 176, 154, 180, 75, 252, 68, 187, 187, 180, 91, 187, 75, 185,  
155,  
185, 155, 187, 187, 185, 153, 185, 185, 185, 185, 128, 75, 185, 75, 75, 73, 187, 11,  
185, 137,  
180, 0, 11, 136, 0, 139, 11, 0, 128, 176, 0, 0, 0, 8, 139, 139, 176, 186, 170, 11,  
187, 0, 136, 8, 128, 176, 0, 8, 176, 184, 184, 155, 92, 11, 11, 128, 11, 185, 187, 8,  
75, 0, 72, 176, 0, 176, 4, 75, 0, 8, 139, 0, 8, 136, 9, 176, 0, 8, 176, 0,  
139, 11, 187, 176, 176, 11, 8, 136, 187, 0, 64, 73, 152, 187, 176, 2, 0, 5, 176, 11,  
128, 0, 139, 139, 0, 64, 0, 176, 0, 11, 4, 36, 4, 0, 4, 0, 176, 136, 75, 187,  
8, 139, 75, 176, 185, 98, 64, 15, 192, 186, 122, 75, 64, 180, 16, 68, 73, 177, 52, 64,  
73, 155, 68, 0, 8, 136, 178, 185, 89, 36, 64, 11, 0, 36, 176, 8, 185, 11, 180, 36,  
75, 66, 100, 187, 11, 178, 21, 34, 180, 187, 187, 182, 84, 154, 137, 169, 156, 168,  
146, 187,  
178, 73, 130, 36, 36, 178, 101, 66, 64, 5, 64, 0, 185, 0, 73, 162, 85, 166, 85, 41,  
74, 154, 168, 139, 66, 41, 162, 172, 170, 176, 8, 155, 146, 73, 144, 73, 180, 36, 86,  
72,  
75, 136, 136, 67, 16, 68, 36, 0, 66, 40, 42, 68, 68, 2, 5, 68, 101, 185, 194, 139,  
139, 152, 153, 152, 73, 68, 148, 180, 155, 41, 186, 32, 85, 34, 40, 176, 11, 188, 43,  
132,  
64, 34, 139, 11, 66, 41, 155, 185, 148, 4, 178, 41, 148, 11, 153, 72, 8, 144, 144, 187,  
75, 153, 146, 75, 43, 186, 155, 68, 185, 75, 176, 185, 155, 187, 180, 68, 68, 185,  
132, 75,  
185, 148, 73, 162, 66, 68, 176, 148, 132, 153, 214, 75, 180, 180, 178, 185, 176, 185,  
185, 107,  
149, 43, 180, 187, 187, 43, 187, 75, 187, 136, 187, 75, 187, 187, 187, 75, 155, 187,  
187, 152,  
137, 136, 128, 0, 128, 11, 128, 0, 180, 8, 11, 11, 180, 43, 176, 176, 0, 8, 64, 176,  
176, 4, 0, 8, 128, 8, 0, 4, 0, 136, 2, 176, 85, 144, 187, 0, 11, 132, 72, 176,  
11, 11, 41, 0, 180, 184, 187, 75, 187, 34, 144, 5, 64, 180, 93, 155, 0, 128, 11, 8,

187, 128, 8, 192, 64, 11, 136, 128, 136, 136, 68, 184, 136, 128, 176, 186, 0, 75, 0,  
184,  
0, 11, 4, 184, 66, 0, 11, 0, 128, 187, 139, 128, 4, 75, 69, 0, 187, 11, 32, 176,  
0, 187, 180, 84, 0, 20, 68, 9, 0, 9, 68, 34, 36, 40, 4, 36, 73, 186, 36, 68,  
66, 180, 0, 187, 64, 153, 37, 90, 230, 73, 132, 176, 180, 187, 75, 75, 187, 187, 148,  
184,  
187, 68, 69, 153, 180, 185, 101, 68, 180, 64, 187, 2, 68, 42, 152, 137, 152, 136, 185,  
187,  
66, 64, 85, 36, 36, 68, 82, 66, 34, 178, 68, 64, 153, 153, 76, 91, 69, 51, 100, 34,  
68, 153, 137, 148, 176, 137, 74, 153, 25, 180, 153, 185, 169, 34, 32, 40, 34, 72, 148,  
144,  
152, 168, 4, 139, 34, 68, 32, 64, 81, 144, 206, 192, 43, 69, 66, 73, 146, 169, 36, 180,  
41, 180, 41, 180, 11, 91, 148, 41, 187, 178, 43, 32, 68, 46, 16, 68, 180, 150, 32, 187,  
9, 153, 37, 0, 68, 148, 187, 178, 132, 4, 66, 146, 186, 154, 153, 153, 36, 180, 155,  
187,  
153, 154, 146, 75, 154, 106, 75, 154, 185, 148, 148, 25, 187, 153, 165, 66, 187, 153,  
148, 73,  
155, 84, 180, 74, 155, 180, 0, 148, 176, 185, 36, 187, 185, 185, 187, 36, 75, 155, 68,  
98,  
149, 91, 185, 187, 75, 153, 180, 155, 187, 187, 180, 68, 187, 187, 187, 188, 59, 66,  
187, 187,  
187, 8, 0, 0, 176, 8, 184, 128, 136, 153, 176, 185, 38, 155, 187, 11, 0, 153, 11, 11,  
64, 4, 0, 136, 128, 184, 139, 4, 0, 132, 187, 176, 185, 177, 0, 11, 8, 11, 152, 184,  
184, 128, 11, 187, 176, 0, 0, 139, 0, 11, 64, 182, 0, 0, 74, 128, 136, 176, 8, 0,  
8, 11, 185, 122, 176, 0, 184, 0, 0, 139, 180, 64, 153, 136, 176, 128, 9, 180, 187, 8,  
4, 176, 184, 184, 68, 4, 8, 0, 185, 11, 0, 128, 0, 69, 107, 8, 0, 185, 64, 184,  
176, 132, 187, 176, 11, 68, 64, 68, 73, 40, 153, 82, 68, 201, 187, 82, 75, 136, 68, 68,  
68, 68, 180, 130, 32, 9, 81, 28, 21, 66, 82, 64, 75, 176, 68, 21, 43, 176, 68, 11,  
75, 176, 0, 178, 148, 75, 85, 91, 180, 153, 69, 4, 75, 36, 137, 66, 73, 139, 180, 32,  
68, 4, 54, 18, 0, 74, 34, 36, 34, 68, 0, 11, 66, 4, 178, 84, 5, 17, 161, 84,  
68, 68, 9, 72, 139, 137, 187, 146, 170, 148, 148, 149, 90, 180, 75, 187, 47, 148, 68,  
185,



185, 128, 11, 185, 68, 34, 68, 66, 118, 132, 156, 68, 156, 218, 172, 198, 162, 187,  
64, 155,  
148, 146, 43, 180, 75, 68, 75, 72, 196, 68, 0, 80, 139, 65, 36, 193, 152, 185, 72, 180,  
41, 11, 64, 9, 11, 137, 9, 20, 68, 73, 139, 152, 152, 8, 153, 148, 64, 75, 185, 43,  
187, 178, 66, 187, 68, 24, 155, 165, 153, 145, 187, 185, 185, 75, 73, 148, 153, 153,  
178, 195,  
75, 180, 180, 148, 155, 180, 75, 36, 73, 148, 186, 185, 187, 153, 153, 36, 75, 153,  
155, 185,  
166, 52, 187, 187, 187, 43, 34, 185, 185, 187, 155, 187, 75, 75, 75, 186, 244, 73,  
153, 180,  
73, 128, 4, 8, 184, 184, 136, 136, 128, 0, 0, 128, 137, 8, 0, 0, 11, 137, 144, 0,  
0, 137, 0, 8, 0, 136, 128, 64, 11, 0, 128, 128, 128, 130, 0, 187, 155, 9, 184, 187,  
187, 0, 139, 128, 0, 136, 9, 187, 128, 169, 0, 0, 11, 0, 73, 8, 153, 75, 184, 139,  
0, 136, 185, 162, 75, 176, 0, 128, 8, 32, 4, 128, 136, 184, 2, 160, 191, 36, 72, 132,  
187, 153, 4, 0, 176, 11, 137, 139, 64, 0, 0, 128, 0, 144, 148, 187, 0, 11, 8, 185,  
11, 66, 32, 11, 73, 0, 64, 11, 8, 201, 137, 64, 4, 139, 32, 98, 64, 176, 68, 65,  
66, 36, 180, 149, 68, 73, 162, 149, 73, 72, 92, 68, 68, 180, 42, 106, 43, 180, 66, 64,  
176, 187, 187, 68, 68, 187, 68, 84, 5, 180, 75, 68, 11, 97, 187, 187, 187, 148, 68, 68,  
73, 68, 97, 124, 43, 151, 25, 66, 66, 32, 4, 153, 36, 64, 148, 75, 66, 73, 38, 36,  
73, 144, 68, 64, 187, 68, 68, 41, 34, 36, 80, 4, 42, 101, 73, 155, 207, 153, 68, 186,  
196, 34, 185, 137, 187, 187, 144, 156, 252, 128, 34, 11, 68, 92, 253, 218, 161, 160,  
64, 185,  
153, 68, 155, 68, 41, 68, 68, 186, 226, 68, 68, 176, 152, 2, 68, 68, 68, 9, 144, 187,  
153, 152, 73, 68, 188, 11, 154, 244, 64, 37, 68, 2, 144, 11, 73, 187, 68, 73, 153, 146,  
170, 75, 187, 187, 4, 68, 68, 187, 108, 154, 64, 181, 85, 73, 164, 193, 144, 155, 148,  
149,  
41, 155, 68, 155, 169, 73, 187, 187, 4, 34, 73, 41, 180, 148, 68, 36, 187, 155, 187,  
66,  
181, 36, 187, 11, 153, 41, 202, 41, 187, 73, 153, 203, 155, 187, 187, 187, 148, 64, 8,  
176,  
136, 0, 136, 1, 91, 0, 0, 0, 0, 184, 75, 153, 0, 0, 8, 4, 0, 136, 176, 8,  
139, 185, 9, 0, 8, 128, 75, 11, 144, 128, 136, 8, 132, 0, 11, 196, 128, 43, 155, 43,  
128, 137, 128, 0, 0, 144, 176, 176, 128, 169, 4, 0, 4, 9, 9, 9, 139, 139, 0, 64,

128, 136, 75, 144, 136, 184, 128, 8, 136, 66, 8, 144, 8, 128, 12, 20, 132, 8, 75, 11,  
139, 0, 180, 0, 0, 85, 8, 132, 152, 8, 0, 0, 136, 89, 11, 0, 8, 0, 8, 132,  
0, 9, 187, 11, 36, 148, 0, 68, 187, 136, 128, 0, 4, 128, 8, 68, 4, 187, 155, 84,  
68, 4, 72, 1, 84, 0, 187, 146, 11, 187, 65, 66, 11, 68, 180, 68, 187, 9, 68, 75,  
36, 139, 75, 155, 108, 68, 180, 64, 11, 37, 185, 187, 132, 75, 162, 155, 187, 66, 73,  
187,  
132, 138, 34, 82, 148, 159, 201, 180, 73, 4, 0, 161, 84, 4, 68, 68, 68, 11, 66, 64,  
75, 34, 180, 154, 148, 82, 34, 182, 196, 68, 73, 171, 170, 53, 43, 68, 73, 82, 36, 76,  
105, 32, 34, 148, 40, 176, 180, 66, 37, 34, 42, 36, 36, 166, 53, 64, 45, 192, 4, 180,  
148, 11, 180, 36, 43, 69, 203, 185, 155, 68, 73, 68, 73, 36, 68, 68, 42, 68, 155, 153,  
152, 41, 4, 66, 41, 64, 75, 148, 50, 68, 180, 75, 64, 11, 64, 180, 75, 73, 185, 148,  
206, 66, 153, 64, 180, 68, 187, 181, 25, 165, 75, 181, 59, 176, 180, 166, 105, 75,  
169, 75,  
11, 75, 4, 185, 34, 187, 9, 187, 73, 187, 20, 54, 148, 75, 169, 177, 36, 187, 68, 185,  
153, 75, 187, 187, 177, 201, 153, 178, 187, 187, 187, 75, 153, 187, 176, 11, 187, 43,  
185, 187,  
152, 176, 8, 184, 139, 11, 0, 11, 9, 0, 0, 72, 8, 176, 128, 139, 128, 137, 139, 136,  
0, 0, 152, 11, 9, 137, 176, 128, 185, 128, 139, 128, 4, 72, 128, 73, 187, 144, 187,  
139,  
128, 8, 128, 139, 128, 176, 176, 136, 0, 0, 184, 0, 64, 64, 137, 4, 8, 136, 0, 136,  
72, 136, 4, 9, 148, 152, 136, 36, 8, 4, 72, 128, 0, 144, 0, 72, 185, 169, 155, 176,  
64, 0, 139, 136, 64, 68, 0, 0, 137, 130, 148, 144, 69, 144, 4, 69, 176, 8, 154, 217,  
180, 4, 176, 4, 0, 9, 187, 4, 0, 153, 136, 152, 187, 128, 240, 73, 137, 187, 130, 132,  
180, 132, 36, 68, 68, 176, 180, 66, 148, 176, 68, 168, 180, 187, 139, 146, 180, 73,  
34, 187,  
185, 75, 148, 41, 26, 139, 0, 66, 75, 68, 68, 213, 180, 91, 128, 34, 148, 43, 9, 8,  
11, 4, 66, 34, 34, 156, 40, 32, 4, 2, 64, 132, 64, 34, 2, 146, 68, 36, 66, 185,  
185, 162, 144, 33, 137, 68, 18, 34, 41, 0, 42, 146, 75, 34, 68, 72, 12, 228, 68, 180,  
144, 36, 36, 68, 153, 0, 36, 2, 73, 11, 65, 84, 66, 41, 36, 32, 90, 148, 75, 2,  
162, 155, 185, 68, 4, 166, 34, 168, 38, 72, 66, 69, 2, 69, 37, 68, 64, 73, 180, 41,  
132, 58, 178, 153, 185, 152, 144, 153, 34, 137, 184, 180, 4, 187, 148, 43, 68, 73,  
148, 68,

146, 146, 178, 75, 4, 36, 178, 185, 165, 169, 43, 148, 155, 180, 185, 73, 170, 153,  
187, 68,  
75, 184, 187, 178, 36, 187, 187, 139, 153, 144, 149, 171, 180, 75, 26, 1, 43, 187,  
180, 203,  
153, 187, 187, 187, 170, 73, 43, 185, 155, 0, 139, 155, 73, 187, 11, 11, 187, 155,  
185, 144,  
155, 128, 128, 136, 128, 11, 146, 80, 187, 11, 8, 130, 43, 64, 8, 139, 0, 152, 128,  
176,  
0, 8, 155, 0, 8, 72, 176, 0, 0, 0, 0, 0, 136, 9, 0, 8, 11, 4, 180, 136,  
0, 43, 11, 4, 0, 128, 66, 185, 11, 0, 9, 153, 0, 11, 68, 4, 8, 130, 8, 153,  
176, 144, 128, 132, 184, 153, 176, 0, 0, 0, 187, 0, 8, 176, 191, 80, 42, 160, 0, 176,  
8, 0, 0, 136, 128, 128, 0, 9, 152, 137, 64, 176, 24, 176, 128, 0, 0, 156, 28, 60,  
64, 72, 137, 75, 187, 0, 68, 139, 0, 152, 68, 184, 155, 11, 64, 73, 152, 155, 132, 34,  
9, 68, 66, 66, 66, 156, 192, 75, 176, 68, 4, 181, 34, 68, 187, 73, 68, 187, 68, 153,  
132, 187, 66, 154, 203, 137, 64, 180, 180, 128, 187, 154, 178, 171, 132, 146, 185,  
41, 75, 4,  
68, 75, 146, 41, 154, 148, 68, 176, 132, 67, 80, 148, 68, 68, 70, 95, 32, 68, 176, 11,  
34, 41, 149, 73, 148, 43, 97, 64, 75, 11, 180, 66, 73, 37, 34, 36, 82, 193, 244, 68,  
4, 66, 162, 153, 136, 185, 154, 36, 2, 176, 86, 82, 82, 75, 146, 68, 4, 144, 149, 10,  
50, 144, 68, 68, 66, 76, 37, 185, 154, 75, 187, 36, 85, 68, 68, 4, 82, 43, 184, 153,  
146, 198, 84, 66, 146, 171, 176, 44, 50, 152, 32, 64, 64, 181, 36, 153, 37, 145, 148,  
73,  
36, 153, 178, 75, 187, 68, 75, 76, 217, 155, 73, 91, 43, 185, 153, 43, 159, 36, 75,  
164,  
44, 144, 187, 149, 34, 0, 2, 169, 137, 88, 128, 73, 187, 185, 4, 180, 73, 75, 180, 155,  
73, 68, 187, 180, 18, 178, 36, 187, 155, 11, 11, 176, 178, 155, 187, 187, 187, 185, 4,  
154,  
185, 138, 0, 0, 8, 0, 132, 36, 184, 8, 0, 176, 0, 0, 136, 0, 0, 136, 139, 8,  
0, 132, 0, 0, 8, 187, 72, 136, 128, 0, 184, 136, 0, 176, 176, 0, 165, 73, 184, 128,  
8, 176, 0, 9, 184, 139, 185, 0, 155, 139, 8, 11, 187, 0, 0, 11, 0, 137, 139, 72,  
136, 128, 0, 137, 0, 137, 0, 176, 0, 132, 64, 11, 187, 11, 4, 64, 146, 176, 4, 184,  
8, 152, 0, 0, 0, 144, 11, 136, 4, 180, 176, 176, 41, 155, 0, 9, 136, 187, 144, 155,  
11, 4, 139, 187, 64, 0, 72, 4, 75, 11, 4, 89, 184, 180, 180, 89, 144, 36, 73, 165,

66, 187, 199, 63, 101, 170, 43, 68, 187, 185, 69, 1, 64, 68, 0, 82, 64, 11, 68, 75,  
178, 187, 180, 88, 153, 66, 0, 148, 72, 146, 11, 73, 153, 132, 187, 73, 75, 64, 144,  
69,  
82, 194, 4, 153, 199, 82, 18, 32, 162, 34, 64, 137, 36, 68, 180, 64, 66, 66, 75, 11,  
36, 139, 4, 1, 18, 32, 37, 64, 75, 137, 132, 5, 149, 99, 17, 68, 4, 68, 34, 75,  
185, 185, 73, 153, 137, 73, 68, 155, 178, 84, 178, 68, 68, 2, 148, 8, 12, 18, 53, 10,  
242, 64, 64, 2, 34, 35, 118, 42, 68, 155, 11, 5, 82, 5, 36, 68, 76, 96, 180, 73,  
153, 159, 169, 38, 92, 53, 41, 146, 20, 148, 8, 132, 68, 187, 84, 149, 97, 36, 187, 2,  
153, 146, 68, 155, 68, 11, 34, 46, 122, 169, 187, 187, 180, 73, 187, 178, 156, 68, 41,  
230,  
178, 75, 75, 178, 206, 37, 36, 164, 139, 24, 152, 4, 187, 185, 187, 185, 50, 164, 73,  
153,  
79, 164, 75, 73, 36, 27, 41, 41, 187, 180, 187, 186, 68, 191, 148, 73, 185, 187, 155,  
158,  
153, 136, 8, 128, 137, 0, 0, 0, 0, 0, 72, 0, 0, 0, 0, 8, 8, 184, 136, 176,  
0, 75, 0, 8, 136, 171, 139, 11, 176, 128, 8, 0, 8, 8, 0, 128, 246, 72, 9, 176,  
0, 155, 176, 176, 68, 139, 8, 0, 64, 8, 136, 11, 176, 0, 0, 132, 128, 75, 184, 176,  
8, 176, 11, 69, 11, 180, 180, 0, 136, 155, 176, 11, 144, 128, 8, 75, 171, 180, 137,  
185,  
136, 11, 2, 187, 128, 128, 75, 11, 4, 11, 187, 75, 187, 187, 11, 184, 4, 75, 11, 180,  
0, 155, 152, 187, 187, 176, 176, 180, 8, 73, 74, 127, 4, 180, 180, 187, 4, 222, 41,  
153,  
187, 178, 45, 243, 113, 170, 149, 84, 36, 180, 64, 4, 66, 0, 0, 84, 180, 82, 66, 68,  
8, 37, 75, 32, 11, 180, 4, 66, 172, 75, 180, 180, 136, 186, 164, 41, 68, 187, 180, 4,  
181, 54, 201, 73, 33, 34, 34, 34, 236, 35, 160, 185, 36, 36, 66, 68, 66, 66, 68, 73,  
36, 130, 82, 153, 132, 68, 72, 9, 148, 153, 0, 68, 37, 85, 84, 68, 11, 184, 34, 36,  
132, 153, 164, 246, 137, 180, 66, 41, 6, 20, 73, 64, 36, 41, 69, 155, 68, 170, 106, 9,  
68, 36, 187, 66, 0, 161, 18, 74, 36, 150, 169, 156, 20, 68, 64, 36, 2, 75, 138, 73,  
153, 47, 37, 175, 84, 41, 155, 184, 152, 169, 139, 64, 187, 73, 75, 150, 115, 18, 75,  
41,  
9, 178, 75, 155, 148, 187, 68, 154, 201, 155, 155, 180, 36, 73, 180, 82, 68, 34, 68,  
241,

36, 187, 36, 187, 173, 161, 89, 9, 155, 153, 129, 73, 148, 186, 86, 153, 106, 150, 89,  
180,  
74, 245, 43, 187, 66, 42, 36, 68, 148, 84, 36, 198, 43, 145, 146, 148, 187, 180, 153,  
163,  
0, 0, 128, 8, 0, 64, 0, 0, 0, 0, 8, 0, 0, 0, 136, 0, 0, 136, 136, 176,  
11, 72, 130, 41, 156, 136, 176, 128, 187, 128, 8, 0, 0, 176, 8, 128, 137, 136, 137,  
176,  
0, 176, 0, 176, 178, 0, 0, 187, 184, 128, 128, 74, 217, 128, 0, 184, 0, 8, 8, 4,  
176, 128, 8, 187, 139, 11, 176, 68, 132, 184, 176, 0, 176, 0, 128, 8, 154, 184, 148,  
139,  
139, 187, 66, 9, 11, 11, 0, 180, 144, 36, 0, 8, 128, 32, 9, 176, 11, 159, 43, 75,  
9, 11, 11, 162, 75, 4, 64, 187, 136, 184, 154, 213, 185, 180, 64, 139, 186, 253, 164,  
41,  
185, 73, 34, 175, 21, 164, 181, 36, 75, 4, 75, 0, 34, 68, 36, 139, 180, 21, 66, 82,  
73, 178, 185, 170, 146, 11, 187, 187, 66, 34, 4, 73, 184, 43, 139, 148, 155, 34, 180,  
32,  
148, 76, 161, 36, 34, 66, 66, 66, 108, 146, 146, 4, 68, 22, 68, 36, 68, 68, 64, 95,  
106, 180, 154, 137, 144, 146, 68, 68, 68, 32, 139, 178, 66, 149, 68, 178, 73, 75, 68,  
139,  
66, 72, 153, 255, 41, 41, 74, 180, 66, 64, 180, 68, 171, 130, 188, 169, 36, 68, 146, 0,  
64, 4, 0, 0, 153, 34, 34, 43, 72, 172, 139, 42, 84, 4, 4, 75, 66, 187, 148, 136,  
89, 164, 64, 4, 36, 9, 41, 68, 185, 152, 153, 132, 180, 73, 148, 66, 21, 66, 170, 84,  
73, 180, 75, 185, 205, 201, 11, 153, 153, 153, 75, 178, 36, 153, 73, 83, 49, 34, 36,  
148,  
75, 68, 73, 187, 73, 36, 37, 11, 187, 153, 69, 187, 36, 68, 33, 187, 73, 69, 73, 180,  
68, 209, 146, 187, 73, 162, 36, 153, 180, 169, 36, 252, 73, 187, 187, 187, 187, 180,  
187, 157,  
0, 136, 128, 152, 136, 0, 139, 0, 139, 0, 8, 128, 139, 128, 8, 180, 9, 184, 11, 136,  
128, 185, 141, 203, 141, 148, 0, 4, 176, 8, 0, 136, 176, 8, 8, 136, 137, 136, 184, 75,  
0, 0, 0, 0, 144, 68, 176, 185, 8, 0, 8, 9, 244, 64, 0, 128, 8, 185, 8, 66,  
0, 0, 128, 11, 64, 64, 0, 11, 11, 136, 137, 148, 0, 11, 132, 187, 137, 178, 148, 176,  
0, 136, 11, 36, 64, 75, 4, 4, 184, 64, 36, 0, 0, 11, 128, 187, 184, 149, 41, 75,  
9, 4, 176, 34, 36, 2, 8, 152, 187, 180, 155, 185, 37, 68, 64, 73, 69, 154, 188, 32,

143, 173, 37, 162, 36, 178, 148, 68, 75, 2, 64, 36, 180, 0, 37, 11, 68, 68, 70, 203,  
4, 75, 42, 238, 201, 136, 176, 68, 2, 34, 68, 152, 41, 170, 176, 66, 75, 17, 66, 64,  
64, 180, 45, 84, 18, 36, 80, 41, 68, 185, 68, 66, 185, 44, 66, 68, 64, 75, 75, 176,  
18, 10, 75, 152, 187, 68, 64, 155, 34, 11, 137, 132, 64, 146, 64, 69, 160, 66, 64, 178,  
41, 153, 68, 34, 169, 36, 74, 66, 148, 75, 187, 72, 245, 34, 157, 232, 178, 73, 66,  
154,  
153, 178, 0, 73, 180, 146, 34, 64, 153, 93, 194, 73, 164, 139, 10, 32, 2, 75, 187, 180,  
137, 153, 73, 37, 43, 185, 181, 37, 138, 107, 41, 68, 73, 180, 66, 82, 153, 34, 198,  
153,  
184, 187, 148, 73, 247, 250, 155, 185, 187, 66, 146, 75, 187, 157, 196, 35, 54, 68,  
186, 187,  
68, 34, 75, 187, 154, 75, 73, 144, 75, 187, 73, 128, 180, 180, 68, 75, 97, 68, 169,  
153,  
155, 37, 73, 154, 180, 146, 173, 98, 148, 155, 68, 73, 187, 164, 187, 187, 146, 68,  
153, 186,  
136, 180, 8, 137, 0, 152, 176, 9, 8, 137, 0, 0, 139, 9, 9, 42, 170, 169, 72, 176,  
132, 8, 0, 0, 130, 155, 0, 8, 8, 0, 137, 0, 0, 0, 152, 136, 9, 144, 11, 248,  
11, 128, 64, 136, 0, 65, 176, 64, 176, 8, 8, 128, 64, 0, 139, 66, 80, 128, 139, 187,  
64, 0, 128, 0, 132, 11, 0, 11, 176, 187, 11, 139, 73, 144, 139, 0, 128, 72, 187, 187,  
75, 139, 64, 0, 75, 128, 64, 154, 64, 4, 64, 0, 136, 152, 139, 187, 187, 139, 246, 139,  
139, 68, 64, 0, 41, 34, 0, 11, 176, 153, 185, 75, 97, 11, 64, 11, 68, 8, 67, 40,  
167, 172, 64, 146, 68, 41, 75, 180, 43, 186, 32, 133, 36, 68, 68, 137, 160, 0, 76, 4,  
0, 75, 186, 238, 58, 164, 180, 41, 180, 66, 75, 154, 254, 168, 66, 68, 164, 130, 84,  
64,  
185, 68, 36, 34, 20, 34, 68, 68, 66, 41, 34, 68, 73, 187, 194, 32, 180, 64, 4, 73,  
68, 178, 180, 139, 137, 144, 0, 43, 180, 73, 9, 153, 187, 176, 187, 185, 9, 180, 75,  
70,  
16, 178, 187, 180, 153, 187, 64, 73, 148, 66, 0, 185, 66, 40, 47, 171, 73, 68, 73, 157,  
49, 84, 4, 36, 148, 73, 68, 80, 153, 147, 98, 41, 68, 75, 73, 75, 177, 0, 180, 73,  
185, 73, 36, 66, 66, 152, 2, 68, 178, 91, 144, 66, 42, 164, 68, 82, 42, 173, 209, 170,  
187, 187, 155, 73, 204, 202, 162, 185, 185, 154, 68, 153, 153, 90, 148, 164, 82, 73,  
69, 148,

66, 20, 187, 162, 75, 187, 153, 185, 66, 187, 176, 176, 148, 176, 185, 73, 101, 187,  
153, 75,  
11, 243, 41, 187, 185, 172, 247, 226, 146, 187, 154, 169, 73, 148, 187, 66, 185, 204,  
155, 0,  
128, 169, 136, 139, 128, 128, 8, 0, 0, 9, 144, 136, 11, 8, 10, 170, 221, 220, 201, 72,  
171, 0, 0, 64, 72, 187, 68, 176, 8, 176, 187, 11, 0, 11, 128, 0, 9, 11, 0, 0,  
176, 128, 0, 0, 0, 86, 0, 0, 128, 8, 8, 128, 176, 0, 128, 10, 192, 9, 136, 176,  
0, 184, 155, 0, 11, 176, 0, 73, 184, 128, 176, 201, 11, 165, 9, 0, 0, 43, 0, 8,  
0, 136, 176, 68, 139, 0, 181, 174, 200, 176, 0, 181, 169, 73, 11, 4, 43, 0, 155, 136,  
176, 176, 0, 180, 139, 36, 0, 128, 136, 180, 148, 32, 68, 64, 64, 11, 68, 136, 137,  
171,  
152, 163, 40, 146, 66, 97, 187, 162, 91, 34, 11, 76, 36, 139, 155, 153, 187, 176, 144,  
68,  
187, 64, 76, 252, 206, 36, 73, 164, 144, 4, 75, 186, 206, 201, 34, 37, 92, 66, 36, 68,  
2, 85, 73, 187, 66, 81, 36, 34, 65, 20, 64, 4, 4, 68, 36, 4, 36, 34, 68, 149,  
164, 66, 34, 152, 164, 11, 178, 146, 34, 148, 178, 180, 68, 0, 9, 89, 72, 64, 32, 169,  
43, 180, 149, 34, 73, 139, 75, 4, 187, 69, 73, 34, 132, 148, 74, 4, 154, 144, 73, 153,  
172, 164, 66, 66, 180, 188, 52, 68, 202, 178, 66, 155, 155, 176, 69, 4, 64, 4, 73, 176,  
185, 128, 76, 88, 128, 185, 146, 184, 75, 146, 128, 178, 153, 148, 75, 74, 37, 173,  
26, 170,  
171, 187, 11, 185, 153, 172, 43, 176, 154, 155, 11, 185, 155, 164, 178, 27, 68, 155,  
73, 148,  
180, 187, 187, 153, 155, 187, 144, 153, 53, 148, 75, 176, 180, 180, 32, 187, 68, 185,  
162, 20,  
75, 34, 153, 146, 185, 247, 225, 25, 75, 187, 191, 29, 153, 187, 187, 91, 186, 211,  
169, 152,  
11, 136, 0, 8, 11, 128, 0, 8, 139, 0, 176, 11, 0, 8, 186, 154, 255, 255, 170, 75,  
43, 152, 128, 2, 187, 73, 146, 176, 139, 139, 8, 128, 139, 32, 64, 139, 8, 139, 176, 8,  
176, 128, 11, 176, 187, 36, 68, 0, 72, 187, 11, 144, 132, 0, 176, 4, 184, 152, 144,  
185,  
0, 8, 176, 2, 180, 187, 64, 72, 139, 0, 0, 41, 176, 156, 153, 11, 176, 0, 139, 8,  
187, 136, 176, 64, 176, 11, 180, 2, 146, 68, 0, 149, 196, 0, 0, 4, 34, 153, 43, 128,  
128, 0, 180, 10, 139, 107, 180, 11, 137, 4, 41, 73, 180, 20, 0, 153, 88, 180, 11, 9,

152, 202, 180, 2, 68, 203, 9, 167, 248, 164, 152, 132, 34, 185, 11, 155, 136, 176,  
164, 11,  
178, 152, 37, 41, 156, 34, 80, 9, 128, 64, 0, 180, 154, 154, 82, 247, 91, 132, 68, 68,  
11, 185, 10, 196, 36, 180, 4, 4, 66, 64, 36, 68, 41, 32, 5, 66, 37, 91, 68, 75,  
66, 66, 37, 68, 130, 73, 132, 34, 75, 34, 0, 156, 36, 64, 137, 146, 66, 34, 20, 2,  
68, 25, 68, 66, 139, 187, 9, 4, 178, 36, 11, 146, 180, 178, 72, 73, 165, 32, 180, 153,  
68, 176, 148, 64, 138, 44, 212, 169, 82, 69, 152, 136, 184, 176, 66, 0, 64, 68, 34,  
152,  
73, 40, 149, 148, 9, 41, 66, 136, 153, 154, 68, 41, 156, 20, 75, 146, 44, 207, 170,  
215,  
26, 75, 11, 68, 187, 153, 185, 187, 155, 148, 64, 185, 187, 148, 187, 155, 187, 148,  
180, 64,  
180, 43, 11, 185, 185, 75, 149, 34, 164, 187, 148, 68, 176, 169, 91, 187, 187, 180,  
75, 249,  
187, 185, 43, 75, 186, 254, 217, 153, 153, 187, 180, 185, 41, 155, 187, 73, 187, 172,  
236, 152,  
144, 0, 137, 128, 8, 0, 0, 11, 0, 136, 184, 68, 8, 130, 153, 40, 170, 170, 153, 137,  
75, 187, 0, 64, 11, 152, 145, 200, 130, 187, 8, 128, 139, 0, 0, 11, 144, 11, 32, 0,  
137, 139, 8, 8, 0, 0, 68, 0, 0, 0, 128, 176, 137, 136, 11, 0, 153, 128, 184,  
176, 8, 128, 144, 8, 32, 4, 64, 176, 187, 128, 11, 0, 178, 139, 75, 180, 128, 2, 75,  
130, 72, 0, 187, 0, 132, 176, 1, 132, 11, 11, 8, 132, 187, 128, 180, 0, 146, 66, 180,  
184, 176, 4, 72, 180, 11, 36, 0, 137, 146, 194, 41, 176, 0, 68, 185, 169, 155, 0, 68,  
8, 144, 72, 178, 68, 66, 148, 247, 217, 146, 41, 74, 172, 43, 4, 187, 128, 136, 73,  
176,  
33, 68, 34, 75, 40, 176, 4, 180, 128, 4, 4, 75, 152, 150, 213, 22, 82, 66, 2, 4,  
178, 178, 75, 68, 66, 185, 4, 146, 36, 11, 84, 187, 9, 68, 180, 34, 23, 42, 148, 146,  
66, 41, 187, 178, 42, 137, 128, 66, 178, 49, 5, 94, 52, 68, 146, 68, 187, 148, 68, 145,  
68, 68, 185, 185, 198, 68, 75, 68, 43, 148, 154, 58, 68, 34, 153, 132, 180, 36, 4, 41,  
32, 64, 180, 176, 65, 36, 36, 4, 148, 185, 218, 153, 180, 144, 68, 68, 153, 155, 187,  
187,  
160, 185, 154, 153, 4, 155, 185, 2, 130, 161, 185, 153, 153, 101, 32, 68, 170, 207,  
165, 23,



20, 153, 164, 153, 185, 187, 73, 34, 153, 191, 73, 144, 75, 187, 187, 185, 180, 180,  
4, 144,  
170, 36, 158, 91, 187, 187, 39, 36, 9, 148, 155, 11, 64, 68, 36, 169, 187, 187, 185,  
185,  
187, 9, 185, 155, 155, 156, 170, 153, 187, 187, 75, 185, 187, 68, 187, 178, 155, 156,  
239, 169,  
136, 0, 0, 0, 0, 176, 8, 128, 132, 160, 169, 0, 11, 128, 184, 137, 153, 169, 152, 137,  
187, 8, 4, 37, 75, 187, 10, 41, 136, 72, 8, 0, 11, 8, 128, 9, 171, 187, 180, 0,  
8, 144, 8, 0, 8, 0, 4, 176, 75, 128, 64, 8, 128, 187, 128, 8, 136, 153, 136, 136,  
0, 8, 0, 184, 136, 0, 176, 8, 0, 0, 15, 57, 0, 185, 75, 75, 75, 187, 180, 11,  
185, 139, 4, 128, 176, 136, 128, 185, 11, 0, 0, 8, 128, 187, 91, 180, 64, 0, 9, 144,  
107, 4, 68, 187, 68, 43, 0, 176, 144, 0, 34, 171, 178, 68, 15, 192, 42, 187, 180, 146,  
8, 155, 187, 187, 178, 203, 180, 159, 169, 176, 146, 199, 236, 203, 178, 11, 36, 34,  
84, 64,  
82, 75, 32, 4, 11, 178, 144, 185, 2, 36, 185, 180, 152, 47, 115, 82, 154, 32, 2, 75,  
9, 68, 34, 36, 34, 132, 68, 187, 164, 43, 75, 184, 128, 68, 66, 34, 178, 35, 249, 68,  
34, 39, 41, 185, 185, 180, 64, 68, 64, 67, 165, 83, 84, 68, 159, 32, 184, 130, 187,  
153,  
43, 75, 180, 72, 37, 148, 139, 178, 68, 36, 146, 20, 68, 64, 75, 9, 187, 181, 132, 155,  
148, 36, 0, 66, 68, 180, 69, 101, 100, 34, 41, 180, 66, 64, 68, 74, 36, 75, 11, 184,  
185, 66, 35, 163, 102, 34, 8, 84, 73, 148, 73, 153, 20, 34, 64, 178, 186, 250, 34, 34,  
34, 81, 41, 75, 153, 187, 185, 154, 187, 187, 68, 136, 0, 155, 187, 185, 180, 187, 73,  
75,  
82, 185, 177, 153, 155, 153, 146, 77, 105, 85, 187, 180, 178, 187, 2, 90, 155, 75,  
185, 153,  
180, 187, 155, 187, 178, 169, 153, 153, 155, 187, 187, 162, 187, 187, 187, 180, 187,  
186, 202, 168,  
155, 176, 144, 0, 64, 128, 128, 0, 176, 68, 132, 187, 136, 8, 148, 9, 137, 152, 136,  
185,  
0, 128, 73, 132, 75, 187, 132, 152, 153, 155, 128, 0, 4, 11, 11, 128, 139, 187, 68,  
144,  
128, 136, 136, 136, 136, 139, 5, 32, 0, 0, 136, 8, 11, 8, 132, 176, 187, 136, 176, 136,  
64, 128, 0, 136, 176, 178, 36, 185, 176, 0, 74, 251, 0, 0, 139, 75, 144, 11, 184, 136,

8, 68, 4, 0, 0, 176, 0, 0, 68, 187, 176, 0, 137, 2, 98, 11, 64, 11, 136, 152,  
169, 32, 64, 128, 187, 36, 2, 4, 148, 180, 156, 196, 36, 43, 9, 176, 68, 187, 40, 36,  
146, 171, 75, 132, 148, 27, 176, 186, 154, 33, 64, 174, 250, 152, 164, 180, 187, 66,  
68, 32,  
128, 187, 66, 4, 66, 150, 169, 40, 176, 178, 194, 36, 137, 154, 18, 36, 185, 84, 34,  
64,  
11, 68, 36, 68, 146, 41, 66, 18, 160, 68, 73, 153, 144, 4, 37, 100, 132, 155, 36, 132,  
98, 65, 171, 187, 164, 180, 68, 82, 148, 187, 130, 148, 36, 75, 166, 36, 68, 64, 187,  
72,  
146, 66, 178, 64, 41, 36, 66, 148, 68, 73, 186, 18, 27, 68, 0, 9, 18, 37, 66, 66,  
148, 68, 74, 68, 76, 80, 68, 36, 19, 84, 41, 180, 66, 0, 66, 88, 34, 64, 34, 72,  
34, 36, 90, 173, 226, 66, 162, 34, 82, 152, 153, 153, 145, 101, 68, 185, 180, 18, 75,  
69,  
82, 215, 43, 43, 69, 75, 185, 146, 153, 180, 180, 185, 139, 9, 155, 66, 153, 187, 82,  
73,  
73, 187, 178, 153, 155, 187, 148, 185, 203, 34, 75, 154, 249, 149, 42, 9, 187, 187,  
187, 185,  
0, 187, 75, 185, 11, 42, 57, 185, 187, 85, 75, 89, 185, 178, 75, 148, 75, 185, 170,  
137,  
138, 43, 11, 4, 128, 0, 152, 0, 32, 137, 168, 0, 0, 155, 132, 176, 152, 137, 136, 139,  
11, 64, 139, 176, 186, 176, 136, 146, 170, 152, 136, 75, 184, 148, 128, 128, 0, 0, 11,  
64,  
64, 136, 0, 0, 8, 139, 180, 11, 8, 8, 128, 136, 176, 8, 8, 8, 0, 0, 8, 40,  
8, 152, 11, 136, 176, 185, 136, 187, 176, 64, 193, 136, 4, 0, 11, 75, 11, 11, 184, 136,  
75, 84, 0, 184, 11, 128, 4, 75, 0, 176, 0, 8, 9, 4, 197, 176, 176, 136, 153, 153,  
139, 82, 11, 187, 0, 66, 180, 82, 152, 176, 165, 36, 41, 9, 184, 68, 68, 36, 40, 144,  
4, 37, 68, 180, 84, 187, 176, 180, 68, 68, 75, 170, 161, 41, 171, 68, 75, 82, 68, 4,  
155, 176, 66, 84, 133, 185, 64, 75, 11, 178, 239, 42, 154, 176, 82, 4, 180, 66, 69, 36,  
9, 36, 68, 66, 245, 43, 5, 171, 169, 4, 82, 36, 148, 188, 99, 36, 41, 72, 82, 69,  
20, 74, 181, 69, 132, 180, 0, 11, 139, 75, 187, 68, 75, 155, 193, 36, 68, 34, 41, 152,  
34, 187, 157, 84, 32, 43, 146, 180, 75, 75, 68, 164, 105, 75, 11, 66, 50, 85, 34, 148,  
146, 36, 18, 37, 81, 84, 148, 73, 36, 89, 148, 155, 155, 153, 164, 186, 68, 180, 9, 41,

66, 137, 75, 73, 101, 37, 105, 176, 34, 9, 180, 154, 153, 98, 68, 34, 148, 165, 82,  
178,  
66, 207, 73, 20, 148, 75, 185, 44, 41, 187, 187, 187, 187, 187, 181, 197, 185, 155,  
171, 73,  
155, 187, 185, 185, 155, 187, 169, 73, 155, 154, 187, 177, 106, 111, 153, 169, 187,  
75, 180, 153,  
75, 66, 41, 251, 68, 74, 249, 155, 9, 155, 187, 155, 187, 11, 68, 36, 75, 148, 153,  
153,  
153, 64, 136, 0, 0, 128, 128, 11, 88, 9, 200, 176, 176, 8, 146, 136, 154, 187, 176,  
187,  
0, 136, 128, 180, 146, 155, 9, 130, 170, 160, 139, 128, 11, 0, 73, 136, 128, 176, 72,  
0,  
0, 0, 136, 176, 176, 0, 0, 184, 8, 11, 128, 0, 0, 8, 136, 0, 0, 0, 9, 200,  
136, 139, 136, 187, 75, 2, 185, 139, 11, 0, 8, 184, 11, 11, 4, 185, 187, 180, 11, 184,  
155, 68, 184, 128, 11, 0, 184, 187, 64, 184, 4, 137, 11, 0, 148, 187, 0, 137, 155, 33,  
169, 92, 34, 185, 176, 0, 152, 68, 185, 64, 146, 187, 38, 75, 9, 130, 36, 36, 72, 64,  
66, 68, 66, 187, 41, 75, 128, 72, 148, 68, 69, 170, 137, 155, 64, 178, 184, 196, 178,  
180,  
187, 176, 0, 32, 187, 176, 4, 137, 68, 146, 170, 73, 68, 34, 41, 187, 2, 37, 34, 68,  
187, 4, 0, 85, 36, 68, 79, 68, 18, 149, 101, 68, 242, 154, 172, 32, 66, 72, 28, 5,  
36, 165, 68, 74, 155, 36, 73, 73, 73, 73, 185, 36, 75, 64, 34, 144, 9, 156, 124, 169,  
128, 76, 38, 82, 81, 186, 169, 75, 180, 66, 75, 66, 155, 155, 188, 137, 68, 34, 68, 64,  
153, 68, 43, 153, 34, 68, 68, 152, 153, 64, 185, 153, 148, 191, 59, 76, 201, 68, 137,  
137,  
75, 41, 139, 73, 69, 41, 66, 34, 97, 36, 85, 41, 68, 66, 68, 2, 20, 69, 25, 180,  
68, 43, 75, 66, 34, 75, 178, 153, 155, 180, 146, 73, 180, 187, 153, 209, 155, 197,  
185, 41,  
187, 187, 185, 66, 148, 187, 178, 66, 73, 187, 187, 156, 169, 187, 153, 18, 155, 187,  
180, 73,  
68, 68, 66, 36, 162, 68, 153, 187, 184, 144, 176, 185, 176, 176, 187, 2, 68, 153, 153,  
152,  
75, 0, 128, 8, 11, 136, 11, 176, 68, 8, 136, 11, 0, 9, 78, 248, 163, 36, 187, 0,

8, 11, 176, 11, 176, 128, 137, 156, 170, 168, 187, 0, 0, 128, 184, 138, 155, 136, 8,  
11,  
0, 8, 0, 0, 0, 176, 0, 155, 184, 0, 139, 152, 4, 176, 136, 128, 8, 0, 152, 132,  
176, 176, 176, 4, 187, 128, 187, 176, 0, 11, 11, 184, 139, 0, 0, 0, 11, 0, 187, 0,  
139, 187, 152, 2, 176, 0, 128, 4, 73, 139, 136, 5, 32, 64, 139, 0, 0, 187, 138, 205,  
250, 170, 196, 187, 4, 184, 132, 180, 34, 180, 185, 187, 34, 64, 72, 146, 187, 64, 11,  
36,  
34, 64, 178, 148, 93, 80, 9, 152, 148, 176, 180, 171, 146, 139, 176, 36, 9, 0, 185,  
153,  
137, 34, 75, 68, 176, 43, 185, 152, 4, 184, 152, 159, 42, 153, 148, 153, 176, 35, 101,  
32,  
68, 82, 79, 75, 68, 69, 33, 146, 34, 155, 66, 73, 101, 98, 169, 75, 146, 164, 207, 34,  
66, 197, 41, 166, 153, 181, 187, 36, 34, 75, 155, 89, 66, 11, 146, 144, 75, 186, 234,  
171,  
75, 184, 187, 161, 37, 130, 40, 176, 176, 4, 64, 73, 139, 137, 73, 154, 130, 169, 185,  
180,  
73, 36, 68, 130, 64, 75, 146, 68, 69, 20, 155, 154, 153, 73, 144, 169, 136, 36, 184,  
165,  
75, 155, 68, 18, 34, 34, 11, 153, 36, 37, 34, 33, 36, 68, 11, 185, 89, 152, 137, 10,  
164, 68, 153, 165, 146, 180, 185, 153, 153, 155, 180, 9, 176, 187, 145, 89, 153, 146,  
180, 178,  
153, 68, 169, 21, 75, 180, 180, 95, 187, 187, 75, 185, 155, 155, 187, 148, 153, 82,  
69, 75,  
177, 100, 68, 73, 68, 11, 180, 187, 176, 155, 144, 176, 36, 187, 0, 4, 66, 187, 153,  
155,  
0, 0, 8, 0, 136, 136, 0, 0, 0, 132, 139, 185, 68, 176, 157, 169, 146, 187, 0, 0,  
128, 0, 180, 0, 185, 136, 164, 207, 202, 152, 184, 8, 11, 64, 137, 139, 128, 4, 9, 176,  
8, 136, 136, 4, 0, 128, 186, 176, 128, 11, 144, 0, 11, 176, 176, 148, 9, 0, 9, 128,  
185, 128, 8, 187, 4, 176, 64, 0, 0, 184, 176, 80, 155, 0, 0, 139, 176, 0, 128, 0,  
139, 184, 184, 0, 176, 8, 153, 11, 186, 139, 187, 0, 75, 11, 11, 0, 176, 132, 2, 79,  
60, 168, 155, 164, 144, 2, 9, 68, 68, 11, 153, 40, 130, 0, 75, 187, 176, 187, 176, 180,  
68, 75, 168, 187, 2, 66, 176, 180, 43, 68, 185, 201, 75, 187, 187, 180, 74, 36, 8, 69,  
5, 68, 148, 9, 68, 180, 9, 89, 4, 187, 137, 83, 201, 138, 42, 165, 164, 66, 37, 21,

22, 16, 199, 82, 68, 75, 68, 42, 137, 64, 27, 68, 34, 100, 75, 75, 137, 165, 206, 18,  
36, 185, 75, 169, 132, 74, 180, 132, 34, 42, 32, 187, 130, 36, 89, 176, 9, 187, 136, 4,  
176, 74, 4, 37, 152, 9, 132, 180, 153, 180, 68, 180, 75, 75, 153, 132, 153, 42, 187,  
184,  
155, 178, 75, 152, 82, 42, 168, 166, 178, 68, 153, 173, 252, 42, 36, 155, 68, 84, 155,  
73,  
148, 69, 80, 66, 66, 34, 41, 153, 180, 64, 37, 66, 36, 136, 11, 75, 25, 43, 149, 41,  
154, 146, 25, 155, 68, 75, 171, 153, 106, 185, 187, 9, 155, 186, 148, 75, 187, 187,  
66, 75,  
153, 187, 153, 97, 73, 47, 36, 68, 148, 187, 187, 187, 153, 148, 186, 34, 153, 82, 66,  
64,  
187, 36, 68, 68, 11, 75, 187, 187, 176, 180, 11, 84, 187, 176, 176, 64, 75, 187, 153,  
64,  
128, 128, 11, 0, 185, 128, 0, 0, 155, 0, 180, 0, 152, 0, 153, 128, 128, 11, 176, 4,  
11, 4, 9, 0, 41, 137, 42, 255, 250, 168, 160, 144, 187, 138, 205, 152, 152, 128, 68, 0,  
0, 184, 0, 176, 8, 11, 155, 128, 0, 0, 32, 68, 75, 64, 0, 0, 11, 64, 11, 11,  
11, 8, 139, 4, 0, 128, 152, 64, 187, 8, 0, 176, 128, 144, 153, 75, 0, 176, 8, 0,  
11, 0, 0, 8, 176, 176, 137, 75, 9, 149, 11, 0, 187, 176, 137, 187, 180, 153, 64, 2,  
221, 201, 196, 98, 2, 38, 84, 0, 75, 187, 68, 144, 180, 64, 187, 75, 0, 64, 164, 0,  
68, 11, 137, 34, 41, 187, 137, 68, 64, 36, 153, 73, 155, 139, 180, 187, 189, 20, 66,  
130,  
2, 64, 185, 34, 180, 180, 184, 132, 75, 176, 64, 66, 91, 153, 66, 76, 204, 36, 33, 53,  
85, 68, 32, 82, 66, 60, 180, 76, 89, 2, 137, 34, 84, 68, 34, 68, 153, 82, 195, 202,  
34, 137, 164, 185, 75, 154, 146, 162, 72, 69, 34, 2, 66, 32, 171, 41, 155, 73, 144,  
161,  
2, 186, 184, 139, 89, 75, 152, 68, 148, 180, 187, 154, 32, 41, 180, 68, 180, 154, 0,  
176,  
139, 2, 41, 184, 68, 92, 82, 43, 66, 32, 73, 165, 252, 153, 84, 75, 75, 255, 24, 185,  
146, 64, 168, 132, 185, 201, 64, 136, 180, 146, 41, 146, 32, 184, 180, 41, 153, 91,  
69, 66,  
155, 155, 89, 68, 187, 185, 180, 154, 202, 43, 180, 9, 82, 187, 68, 155, 187, 165,  
185, 148,

155, 75, 187, 162, 207, 234, 162, 36, 187, 66, 82, 180, 185, 178, 45, 25, 43, 36, 148,  
187,  
146, 34, 75, 176, 0, 68, 187, 187, 155, 146, 148, 43, 187, 75, 68, 176, 187, 73, 155,  
73,  
136, 9, 9, 187, 73, 8, 8, 8, 139, 8, 0, 11, 139, 9, 176, 136, 176, 10, 0, 176,  
137, 0, 180, 9, 40, 136, 5, 221, 250, 153, 152, 176, 4, 185, 231, 202, 136, 148, 75, 0,  
128, 139, 144, 144, 128, 0, 8, 0, 136, 0, 136, 152, 176, 4, 0, 0, 11, 0, 9, 146,  
0, 137, 11, 0, 0, 11, 11, 176, 0, 128, 11, 0, 68, 73, 144, 64, 11, 11, 0, 146,  
4, 0, 8, 148, 68, 11, 0, 128, 176, 184, 2, 176, 128, 0, 0, 176, 75, 18, 36, 74,  
206, 250, 100, 68, 176, 130, 37, 36, 4, 25, 176, 136, 180, 75, 152, 178, 4, 69, 132,  
34,  
153, 68, 146, 213, 64, 187, 9, 82, 185, 25, 136, 153, 139, 82, 66, 43, 180, 68, 69, 4,  
66, 64, 38, 34, 177, 196, 152, 162, 34, 36, 144, 2, 12, 185, 82, 73, 4, 36, 178, 82,  
36, 64, 185, 186, 32, 147, 18, 73, 34, 9, 137, 90, 180, 64, 176, 68, 155, 84, 34, 40,  
34, 64, 9, 73, 181, 164, 73, 180, 180, 66, 90, 36, 148, 72, 36, 36, 146, 73, 153, 155,  
139, 73, 132, 153, 153, 75, 185, 146, 187, 137, 152, 155, 148, 43, 176, 82, 137, 42,  
36, 64,  
178, 68, 185, 146, 18, 85, 41, 68, 198, 64, 73, 169, 202, 9, 75, 185, 4, 165, 91, 128,  
36, 146, 187, 153, 72, 162, 82, 170, 66, 175, 82, 68, 88, 139, 146, 170, 153, 36, 36,  
153,  
155, 187, 187, 149, 68, 180, 155, 157, 127, 101, 187, 187, 187, 137, 187, 185, 73,  
191, 68, 187,  
185, 171, 146, 82, 215, 250, 162, 36, 66, 68, 66, 180, 73, 153, 247, 210, 180, 66, 82,  
34,  
21, 68, 185, 11, 180, 155, 187, 187, 155, 69, 164, 64, 180, 75, 73, 152, 187, 73, 154,  
148,  
136, 0, 184, 8, 180, 128, 128, 136, 0, 8, 0, 153, 144, 139, 0, 8, 187, 11, 184, 176,  
73, 128, 0, 0, 152, 8, 186, 255, 202, 152, 137, 155, 137, 136, 204, 168, 155, 63, 136,  
0,  
0, 0, 11, 0, 0, 128, 0, 11, 136, 8, 8, 152, 128, 176, 73, 136, 137, 0, 184, 42,  
8, 184, 139, 155, 11, 0, 180, 184, 128, 153, 187, 0, 8, 144, 64, 184, 4, 187, 0, 0,  
4, 68, 11, 0, 185, 0, 0, 176, 176, 139, 187, 184, 8, 184, 155, 128, 68, 36, 36, 11,  
172, 250, 132, 4, 9, 155, 0, 144, 139, 34, 11, 144, 4, 185, 187, 180, 64, 2, 98, 68,

136, 148, 72, 36, 187, 76, 82, 136, 73, 40, 137, 130, 75, 37, 187, 187, 2, 75, 70, 28,  
80, 11, 5, 73, 185, 43, 153, 146, 68, 66, 75, 11, 153, 4, 36, 180, 165, 64, 75, 0,  
148, 35, 82, 34, 50, 243, 165, 89, 180, 180, 11, 246, 180, 187, 132, 148, 41, 84, 201,  
156,  
91, 184, 139, 139, 181, 220, 105, 34, 176, 2, 130, 36, 72, 184, 181, 44, 225, 73, 137,  
146,  
4, 9, 226, 171, 73, 8, 72, 9, 180, 136, 43, 185, 180, 75, 180, 68, 68, 215, 196, 144,  
9, 43, 4, 74, 36, 75, 153, 178, 82, 68, 9, 137, 35, 36, 37, 89, 68, 146, 75, 5,  
41, 146, 4, 149, 146, 21, 21, 58, 153, 44, 89, 68, 185, 75, 174, 220, 73, 89, 74, 106,  
73, 75, 73, 178, 41, 153, 185, 156, 213, 75, 153, 155, 187, 11, 155, 73, 73, 185, 148,  
155,  
185, 146, 185, 185, 207, 157, 59, 82, 69, 75, 68, 41, 75, 162, 83, 82, 178, 146, 98,  
66,  
82, 73, 170, 148, 176, 68, 11, 75, 75, 155, 75, 184, 148, 180, 68, 169, 36, 68, 198,  
187,  
180, 0, 136, 136, 128, 136, 128, 185, 128, 128, 176, 0, 36, 132, 66, 176, 128, 8, 4,  
68,  
144, 8, 11, 146, 184, 9, 10, 204, 170, 152, 153, 176, 0, 2, 152, 136, 136, 137, 171, 8,  
0, 0, 0, 136, 128, 128, 11, 0, 0, 137, 136, 139, 139, 75, 128, 8, 139, 176, 9, 11,  
0, 8, 176, 0, 136, 128, 75, 152, 128, 136, 128, 0, 176, 0, 75, 176, 4, 64, 0, 0,  
11, 152, 0, 75, 176, 144, 139, 128, 8, 8, 9, 146, 144, 9, 89, 180, 0, 0, 0, 75,  
185, 250, 186, 73, 0, 176, 155, 68, 176, 66, 155, 178, 176, 132, 43, 187, 66, 34, 18,  
64,  
187, 137, 41, 8, 176, 76, 203, 185, 146, 169, 8, 139, 176, 155, 180, 68, 65, 36, 68,  
36,  
68, 180, 176, 34, 185, 75, 137, 130, 68, 66, 11, 153, 148, 180, 4, 185, 129, 73, 2, 68,  
68, 146, 241, 34, 194, 205, 81, 34, 149, 34, 68, 42, 100, 144, 146, 66, 68, 8, 41, 90,  
66, 153, 152, 185, 64, 155, 73, 54, 36, 187, 36, 11, 136, 184, 4, 68, 21, 155, 137,  
148,  
72, 2, 180, 130, 169, 185, 64, 64, 185, 185, 66, 41, 32, 75, 66, 73, 156, 211, 169,  
132,  
185, 155, 2, 69, 20, 34, 68, 176, 64, 68, 186, 162, 37, 27, 77, 98, 8, 139, 152, 2,

148, 146, 68, 146, 154, 23, 53, 90, 148, 155, 155, 68, 186, 155, 173, 233, 153, 164,  
73, 194,  
187, 187, 156, 171, 154, 153, 155, 154, 172, 201, 187, 178, 155, 180, 187, 148, 155,  
187, 187, 250,  
187, 181, 187, 153, 161, 145, 91, 70, 36, 178, 73, 68, 68, 185, 38, 171, 74, 69, 36,  
155,  
68, 68, 187, 68, 75, 155, 4, 148, 187, 185, 75, 75, 75, 43, 68, 153, 43, 68, 170, 187,  
9, 186, 136, 136, 128, 8, 8, 0, 136, 128, 0, 128, 139, 184, 155, 0, 0, 0, 0, 187,  
128, 8, 176, 153, 75, 72, 9, 207, 202, 137, 139, 11, 139, 176, 8, 152, 128, 136, 176,  
0,  
2, 64, 11, 8, 184, 185, 155, 0, 0, 9, 128, 155, 9, 139, 128, 75, 128, 144, 11, 8,  
152, 8, 128, 8, 0, 176, 187, 128, 0, 136, 8, 187, 137, 0, 187, 4, 176, 144, 75, 32,  
0, 128, 2, 8, 4, 8, 9, 128, 128, 0, 180, 4, 156, 137, 204, 176, 0, 187, 128, 180,  
75, 152, 130, 84, 4, 64, 139, 146, 176, 9, 68, 68, 136, 176, 155, 11, 97, 68, 36, 64,  
155, 2, 37, 8, 176, 9, 75, 153, 67, 219, 8, 144, 139, 75, 86, 35, 36, 75, 148, 68,  
34, 146, 160, 75, 187, 43, 180, 69, 75, 164, 75, 176, 128, 138, 82, 66, 178, 36, 178,  
68,  
84, 202, 241, 34, 41, 172, 103, 21, 34, 82, 9, 66, 169, 73, 185, 148, 36, 89, 169, 74,  
168, 137, 152, 66, 148, 73, 152, 72, 68, 64, 36, 64, 153, 68, 68, 176, 184, 34, 185,  
153,  
149, 66, 185, 153, 165, 42, 43, 32, 66, 176, 68, 74, 101, 66, 68, 73, 181, 202, 204,  
242,  
75, 136, 155, 4, 153, 33, 32, 180, 66, 105, 73, 168, 74, 75, 68, 153, 153, 155, 148,  
153,  
153, 154, 153, 73, 41, 23, 101, 66, 34, 144, 139, 75, 153, 75, 156, 169, 185, 36, 169,  
89,  
148, 43, 158, 57, 154, 187, 73, 153, 153, 162, 148, 185, 162, 68, 153, 146, 187, 153,  
4, 82,  
21, 180, 73, 153, 180, 188, 41, 69, 43, 5, 18, 68, 43, 180, 153, 148, 155, 247, 84, 42,  
21, 164, 4, 100, 73, 75, 73, 153, 185, 185, 148, 185, 43, 180, 36, 73, 156, 89, 64, 64,  
144, 67, 201, 139, 4, 176, 191, 96, 136, 128, 176, 0, 8, 160, 187, 0, 187, 8, 0, 128,  
8, 128, 128, 0, 8, 0, 153, 170, 152, 155, 144, 0, 155, 8, 11, 0, 128, 184, 64, 0,  
0, 184, 176, 139, 178, 64, 0, 128, 128, 0, 0, 132, 4, 176, 11, 136, 75, 251, 64, 178,



155, 180, 176, 128, 139, 0, 0, 4, 0, 185, 176, 128, 0, 11, 187, 0, 184, 144, 4, 80,  
0, 176, 73, 187, 148, 75, 184, 128, 136, 128, 155, 176, 185, 136, 152, 180, 11, 155,  
0, 66,  
75, 152, 139, 0, 36, 0, 11, 11, 0, 185, 153, 152, 148, 153, 148, 144, 64, 68, 68, 64,  
11, 11, 84, 68, 11, 0, 148, 155, 188, 171, 137, 11, 73, 73, 22, 35, 201, 64, 187, 180,  
18, 4, 75, 68, 68, 75, 187, 186, 65, 84, 144, 11, 36, 36, 34, 73, 144, 4, 36, 66,  
43, 193, 144, 148, 73, 153, 198, 98, 66, 105, 155, 37, 138, 73, 41, 180, 36, 52, 73,  
154,  
204, 204, 136, 154, 85, 66, 18, 73, 68, 43, 38, 32, 64, 176, 180, 187, 75, 180, 171,  
133,  
2, 4, 1, 42, 162, 41, 155, 137, 186, 162, 66, 34, 37, 66, 68, 64, 181, 105, 47, 214,  
187, 153, 153, 36, 68, 145, 68, 180, 186, 25, 74, 169, 66, 146, 69, 203, 140, 89, 162,  
34,  
146, 153, 155, 148, 36, 81, 82, 68, 82, 162, 184, 43, 148, 137, 175, 175, 75, 169,  
187, 68,  
146, 155, 156, 170, 187, 181, 43, 75, 187, 185, 153, 34, 153, 155, 187, 187, 11, 180,  
185, 43,  
245, 146, 43, 180, 68, 180, 155, 148, 64, 178, 18, 11, 187, 180, 82, 194, 36, 150,  
153, 36,  
153, 68, 155, 36, 11, 155, 75, 148, 155, 155, 185, 185, 155, 82, 36, 178, 174, 114,  
75, 187,  
128, 137, 153, 139, 0, 11, 180, 40, 139, 8, 8, 0, 128, 8, 139, 0, 136, 0, 11, 8,  
9, 128, 128, 184, 0, 11, 9, 137, 137, 139, 176, 0, 137, 154, 144, 0, 0, 11, 0, 176,  
11, 139, 176, 136, 255, 152, 128, 64, 8, 11, 128, 176, 176, 8, 8, 139, 0, 88, 128, 8,  
64, 187, 176, 148, 9, 187, 176, 64, 187, 176, 148, 184, 0, 139, 136, 0, 64, 128, 0,  
128,  
128, 0, 139, 11, 41, 73, 8, 176, 128, 0, 76, 40, 155, 139, 68, 64, 11, 0, 4, 176,  
4, 34, 43, 64, 84, 8, 11, 180, 0, 185, 155, 148, 155, 74, 36, 180, 180, 4, 4, 64,  
0, 186, 64, 64, 11, 11, 43, 185, 187, 180, 128, 68, 178, 34, 148, 66, 41, 148, 176, 68,  
68, 184, 43, 82, 187, 11, 187, 132, 71, 53, 21, 66, 34, 41, 68, 37, 146, 66, 66, 68,  
73, 186, 68, 178, 73, 138, 73, 36, 66, 98, 164, 187, 132, 34, 162, 178, 42, 41, 178,  
44,  
223, 223, 153, 146, 21, 81, 64, 0, 43, 180, 37, 68, 68, 68, 68, 32, 75, 2, 25, 5,

36, 9, 2, 42, 249, 152, 137, 144, 185, 162, 18, 75, 36, 180, 155, 80, 68, 184, 137,  
197,  
66, 68, 74, 171, 2, 41, 66, 154, 144, 137, 185, 168, 178, 146, 138, 58, 8, 152, 146,  
169,  
149, 9, 169, 26, 40, 194, 146, 64, 36, 220, 65, 25, 166, 153, 166, 161, 201, 73, 11,  
68,  
66, 76, 201, 153, 153, 249, 155, 187, 187, 185, 153, 43, 182, 84, 155, 187, 187, 187,  
185, 155,  
66, 75, 187, 180, 68, 176, 187, 187, 68, 68, 36, 11, 11, 180, 159, 117, 43, 73, 4, 185,  
79, 85, 41, 105, 176, 73, 185, 26, 187, 75, 186, 155, 187, 146, 180, 36, 174, 234,  
153, 148,  
139, 137, 184, 75, 176, 11, 184, 139, 0, 8, 11, 8, 68, 136, 128, 0, 0, 136, 11, 0,  
136, 0, 0, 66, 176, 128, 128, 137, 137, 176, 136, 185, 0, 155, 155, 136, 176, 8, 176,  
0,  
8, 144, 137, 4, 211, 153, 32, 0, 0, 136, 0, 136, 155, 176, 137, 139, 184, 136, 11, 8,  
180, 184, 0, 68, 164, 137, 0, 0, 4, 64, 98, 139, 0, 155, 8, 64, 0, 187, 0, 187,  
9, 0, 0, 128, 153, 155, 139, 72, 0, 128, 70, 171, 137, 176, 72, 187, 11, 136, 139, 184,  
187, 185, 137, 9, 0, 68, 64, 65, 82, 11, 168, 152, 152, 68, 64, 187, 180, 32, 68, 20,  
64, 180, 139, 32, 144, 4, 155, 137, 153, 187, 66, 36, 0, 180, 68, 32, 176, 155, 73,  
105,  
148, 11, 0, 185, 68, 180, 64, 139, 36, 82, 82, 68, 91, 157, 41, 74, 237, 36, 68, 178,  
36, 176, 41, 64, 152, 154, 34, 44, 68, 36, 176, 146, 168, 148, 89, 154, 36, 180, 75,  
156,  
172, 250, 162, 169, 66, 34, 11, 187, 75, 176, 148, 11, 11, 185, 144, 34, 4, 178, 169,  
41,  
64, 133, 68, 46, 124, 154, 152, 137, 66, 34, 58, 84, 84, 74, 153, 68, 36, 73, 68, 89,  
85, 89, 148, 43, 82, 73, 0, 89, 137, 68, 145, 168, 164, 148, 37, 18, 8, 128, 4, 91,  
36, 172, 252, 197, 41, 66, 36, 184, 180, 146, 12, 25, 186, 9, 175, 202, 26, 146, 66,  
154,  
169, 150, 58, 160, 156, 124, 153, 153, 187, 185, 172, 25, 180, 43, 155, 187, 73, 153,  
187, 152,  
178, 145, 185, 153, 177, 75, 75, 148, 73, 162, 75, 187, 176, 187, 159, 53, 66, 153,  
185, 153,

148, 67, 20, 185, 68, 180, 185, 169, 155, 2, 66, 73, 155, 185, 187, 185, 170, 91, 68,  
153,  
75, 76, 176, 0, 139, 0, 11, 0, 0, 187, 11, 136, 180, 187, 128, 8, 136, 128, 128, 0,  
8, 128, 136, 11, 0, 136, 184, 136, 176, 0, 0, 187, 136, 36, 187, 0, 0, 0, 8, 0,  
8, 75, 0, 11, 43, 139, 132, 11, 176, 0, 136, 156, 249, 187, 184, 138, 168, 184, 128,  
68,  
4, 8, 139, 177, 155, 0, 0, 144, 0, 187, 180, 68, 0, 132, 4, 11, 11, 0, 128, 0,  
0, 9, 0, 155, 73, 128, 8, 9, 176, 64, 136, 153, 105, 65, 168, 132, 0, 66, 187, 0,  
68, 75, 152, 164, 185, 84, 11, 149, 84, 4, 37, 187, 187, 176, 11, 68, 187, 68, 180, 66,  
68, 185, 187, 75, 8, 176, 187, 154, 153, 153, 36, 178, 68, 73, 181, 100, 184, 128, 44,  
164,  
176, 32, 68, 66, 155, 187, 187, 187, 36, 180, 36, 170, 153, 148, 153, 146, 221, 169,  
64, 66,  
33, 42, 153, 155, 136, 186, 34, 195, 171, 43, 68, 180, 53, 148, 82, 82, 155, 41, 153,  
41,  
170, 143, 41, 155, 66, 34, 41, 152, 20, 129, 164, 176, 184, 9, 64, 68, 187, 154, 73,  
214,  
32, 128, 4, 92, 250, 206, 170, 153, 42, 153, 163, 50, 68, 25, 155, 68, 187, 73, 68, 36,  
98, 164, 137, 178, 82, 75, 184, 41, 181, 68, 154, 154, 9, 43, 66, 100, 148, 68, 148,  
155,  
53, 157, 125, 250, 154, 156, 34, 68, 0, 66, 153, 11, 180, 178, 206, 89, 43, 9, 153,  
153,  
242, 75, 153, 153, 42, 249, 44, 26, 43, 74, 18, 153, 187, 153, 176, 178, 68, 154, 187,  
187,  
185, 85, 148, 180, 66, 75, 74, 89, 174, 201, 180, 187, 9, 155, 146, 84, 66, 164, 185,  
187,  
41, 66, 75, 188, 162, 75, 41, 148, 187, 66, 43, 166, 41, 0, 187, 186, 180, 153, 180,  
187,  
64, 8, 146, 187, 0, 8, 0, 11, 11, 11, 137, 57, 136, 8, 180, 187, 8, 8, 155, 8,  
8, 152, 0, 0, 72, 8, 11, 72, 0, 0, 176, 75, 139, 187, 187, 0, 128, 77, 32, 144,  
11, 32, 187, 184, 187, 184, 176, 0, 8, 8, 152, 178, 153, 75, 8, 184, 136, 136, 176, 9,  
187, 0, 139, 9, 185, 136, 11, 4, 176, 43, 0, 0, 11, 64, 8, 128, 180, 8, 176, 9,  
0, 0, 0, 0, 8, 139, 187, 144, 36, 201, 73, 41, 242, 137, 128, 4, 0, 0, 67, 64,

0, 32, 146, 11, 2, 203, 176, 2, 64, 181, 188, 148, 155, 64, 176, 32, 64, 4, 74, 43,  
68, 185, 176, 4, 0, 66, 184, 184, 152, 176, 75, 2, 68, 75, 178, 37, 32, 11, 128, 185,  
128, 155, 155, 0, 137, 128, 130, 176, 73, 146, 82, 157, 217, 132, 68, 9, 202, 149, 36,  
34,  
37, 155, 185, 41, 180, 128, 68, 19, 66, 171, 137, 34, 40, 154, 42, 153, 146, 148, 34,  
169,  
168, 168, 155, 187, 187, 18, 36, 148, 75, 106, 41, 73, 11, 129, 5, 36, 0, 206, 36, 21,  
144, 73, 136, 137, 170, 205, 153, 164, 41, 37, 34, 36, 34, 34, 64, 36, 82, 73, 152,  
146,  
72, 66, 34, 68, 53, 66, 21, 169, 162, 154, 154, 162, 66, 26, 73, 36, 152, 149, 89, 0,  
34, 42, 220, 170, 185, 34, 178, 85, 73, 144, 17, 148, 178, 43, 146, 153, 170, 68, 153,  
140,  
229, 64, 185, 171, 155, 187, 182, 105, 75, 177, 249, 176, 75, 185, 180, 146, 185,  
148, 148, 36,  
74, 218, 41, 37, 196, 12, 175, 41, 173, 201, 148, 180, 75, 65, 52, 68, 190, 20, 153,  
180,  
185, 68, 187, 39, 194, 75, 155, 75, 187, 73, 180, 110, 36, 11, 153, 146, 178, 41, 155,  
75,  
176, 128, 136, 136, 152, 128, 136, 8, 0, 0, 137, 88, 155, 136, 0, 139, 0, 11, 11, 0,  
139, 0, 0, 184, 0, 8, 8, 0, 136, 140, 137, 148, 148, 152, 176, 8, 128, 4, 64, 0,  
68, 56, 75, 144, 184, 187, 176, 11, 128, 128, 136, 184, 172, 176, 0, 187, 8, 136, 184,  
180,  
187, 4, 176, 8, 0, 136, 128, 0, 180, 128, 11, 43, 75, 0, 128, 187, 180, 0, 0, 91,  
180, 0, 84, 184, 128, 64, 0, 4, 144, 36, 132, 64, 161, 136, 136, 0, 176, 64, 180, 84,  
4, 32, 137, 184, 8, 68, 128, 68, 11, 0, 187, 9, 136, 187, 4, 36, 75, 180, 45, 122,  
155, 146, 43, 11, 2, 136, 139, 153, 137, 155, 72, 0, 43, 75, 0, 33, 80, 148, 155, 4,  
180, 86, 155, 4, 153, 75, 148, 187, 73, 187, 68, 74, 202, 169, 66, 186, 156, 172, 153,  
148,  
74, 32, 43, 184, 64, 139, 185, 82, 162, 169, 76, 82, 44, 204, 202, 170, 170, 175, 139,  
28,  
74, 169, 137, 153, 73, 178, 36, 75, 66, 36, 74, 137, 155, 144, 146, 148, 180, 156, 34,  
58,  
32, 169, 185, 74, 26, 252, 204, 31, 194, 34, 34, 68, 144, 68, 0, 4, 66, 73, 187, 187,

73, 153, 153, 187, 34, 68, 66, 41, 133, 168, 156, 201, 146, 250, 2, 139, 154, 153, 37,  
82,  
85, 82, 250, 153, 41, 106, 148, 66, 33, 73, 176, 75, 144, 64, 9, 178, 211, 42, 27, 10,  
242, 185, 64, 180, 154, 41, 169, 85, 68, 161, 169, 187, 187, 155, 153, 148, 187, 187,  
185, 187,  
187, 73, 185, 76, 242, 34, 199, 249, 225, 201, 68, 180, 68, 153, 36, 34, 197, 26, 155,  
181,  
180, 68, 180, 69, 36, 187, 187, 73, 187, 187, 0, 18, 36, 11, 75, 162, 42, 187, 68, 75,  
176, 0, 137, 128, 0, 72, 9, 139, 128, 128, 0, 11, 176, 128, 136, 0, 0, 64, 176, 128,  
8, 8, 11, 73, 178, 139, 0, 144, 8, 184, 11, 75, 179, 168, 11, 136, 0, 187, 64, 176,  
137, 171, 184, 176, 72, 187, 0, 43, 184, 136, 152, 139, 34, 176, 0, 128, 136, 128,  
139, 68,  
4, 187, 176, 9, 136, 0, 0, 11, 11, 4, 187, 153, 168, 75, 187, 0, 180, 187, 0, 187,  
4, 0, 36, 0, 0, 8, 155, 8, 72, 169, 139, 187, 144, 8, 8, 11, 184, 146, 68, 43,  
4, 148, 187, 0, 178, 41, 75, 4, 187, 64, 181, 8, 184, 32, 9, 176, 72, 75, 206, 239,  
169, 186, 187, 0, 4, 9, 132, 154, 43, 178, 32, 75, 66, 187, 4, 68, 36, 9, 32, 2,  
187, 149, 132, 69, 66, 32, 187, 72, 36, 11, 2, 185, 154, 66, 68, 2, 175, 237, 162, 152,  
5, 73, 155, 73, 184, 73, 42, 50, 18, 34, 156, 105, 170, 207, 223, 202, 170, 156, 180,  
204,  
178, 153, 154, 205, 90, 36, 75, 91, 34, 9, 245, 73, 152, 152, 75, 73, 139, 149, 155,  
66,  
136, 155, 132, 66, 90, 92, 202, 162, 34, 38, 68, 36, 4, 64, 0, 64, 66, 185, 68, 180,  
178, 66, 155, 43, 34, 36, 66, 201, 170, 153, 154, 207, 153, 153, 185, 194, 163, 146,  
66, 34,  
146, 36, 185, 155, 9, 89, 102, 34, 37, 74, 4, 185, 74, 144, 72, 136, 145, 90, 89, 153,  
43, 148, 37, 178, 38, 43, 153, 169, 73, 68, 187, 187, 148, 75, 187, 155, 187, 75, 187,  
68,  
187, 180, 171, 185, 145, 82, 157, 170, 90, 171, 155, 148, 187, 185, 185, 36, 197, 20,  
185, 155,  
187, 187, 68, 41, 187, 73, 185, 186, 75, 176, 187, 68, 180, 4, 187, 187, 170, 73, 178,  
43,  
184, 8, 8, 0, 73, 0, 9, 184, 139, 128, 132, 64, 11, 8, 176, 0, 184, 152, 176, 8,  
128, 0, 11, 176, 9, 128, 0, 0, 155, 72, 8, 0, 156, 137, 9, 128, 210, 176, 0, 0,

136, 176, 8, 2, 32, 152, 155, 176, 176, 176, 184, 184, 139, 0, 0, 152, 152, 176, 184,  
180,  
64, 176, 0, 187, 176, 176, 8, 64, 0, 137, 146, 222, 168, 176, 184, 128, 176, 128, 0,  
132,  
5, 0, 180, 64, 0, 132, 184, 8, 187, 84, 34, 4, 75, 4, 9, 128, 8, 144, 255, 0,  
185, 176, 0, 11, 202, 64, 64, 64, 187, 68, 178, 75, 128, 187, 155, 4, 88, 73, 252, 204,  
170, 139, 184, 64, 4, 11, 9, 146, 73, 75, 68, 73, 169, 43, 4, 4, 4, 11, 69, 66,  
11, 75, 187, 4, 68, 148, 75, 155, 41, 68, 0, 2, 84, 68, 89, 186, 174, 126, 170, 42,  
157, 36, 185, 34, 36, 2, 170, 25, 162, 148, 66, 89, 172, 247, 126, 220, 202, 170, 21,  
41,  
252, 146, 175, 125, 162, 68, 68, 34, 82, 148, 36, 161, 178, 164, 11, 41, 146, 74, 148,  
77,  
210, 41, 193, 73, 146, 170, 149, 180, 36, 66, 37, 36, 180, 2, 148, 68, 64, 187, 132,  
180,  
185, 155, 68, 73, 130, 36, 44, 236, 173, 89, 154, 252, 165, 42, 154, 89, 42, 137, 82,  
153,  
66, 73, 153, 36, 180, 177, 21, 68, 64, 195, 153, 36, 185, 155, 73, 185, 153, 157, 122,  
153,  
145, 201, 153, 146, 34, 169, 181, 148, 148, 41, 185, 73, 75, 75, 155, 185, 155, 187,  
155, 155,  
187, 146, 75, 185, 171, 155, 43, 75, 169, 155, 153, 213, 153, 36, 65, 75, 84, 21, 154,  
148,  
187, 180, 187, 185, 187, 187, 187, 148, 36, 176, 187, 4, 4, 11, 153, 196, 106, 187,  
178, 187,  
0, 136, 128, 0, 178, 176, 72, 176, 128, 0, 187, 75, 0, 184, 128, 0, 152, 187, 8, 128,  
0, 0, 176, 128, 176, 0, 139, 68, 187, 128, 0, 187, 11, 139, 152, 176, 32, 4, 187, 180,  
8, 0, 176, 132, 64, 146, 139, 176, 0, 8, 136, 139, 128, 176, 8, 153, 187, 139, 155, 4,  
64, 0, 11, 0, 8, 184, 128, 4, 0, 187, 154, 215, 169, 9, 8, 184, 72, 152, 176, 130,  
0, 0, 64, 178, 136, 176, 68, 73, 73, 91, 185, 4, 0, 136, 130, 36, 136, 176, 162, 132,  
11, 136, 41, 66, 209, 34, 43, 73, 43, 36, 4, 73, 34, 32, 144, 185, 180, 170, 104, 173,  
255, 153, 153, 11, 68, 155, 79, 84, 68, 66, 184, 159, 245, 98, 43, 152, 75, 155, 148,  
69,

73, 187, 75, 144, 146, 128, 9, 11, 0, 155, 36, 66, 20, 34, 185, 153, 175, 239, 169,  
154,  
172, 210, 153, 156, 34, 34, 207, 41, 66, 148, 73, 34, 172, 215, 119, 223, 202, 154,  
37, 73,  
223, 170, 159, 125, 172, 84, 75, 185, 74, 41, 176, 129, 86, 34, 137, 105, 155, 146,  
169, 157,  
210, 36, 170, 148, 64, 185, 176, 64, 68, 66, 38, 36, 0, 77, 41, 41, 68, 180, 144, 69,  
68, 75, 43, 153, 154, 130, 45, 122, 170, 40, 44, 202, 42, 85, 154, 242, 89, 82, 223,  
43,  
69, 148, 155, 68, 37, 175, 180, 187, 185, 170, 153, 22, 153, 187, 153, 68, 154, 154,  
207, 153,  
149, 203, 153, 153, 153, 43, 185, 148, 89, 155, 75, 43, 68, 185, 153, 73, 75, 73, 185,  
155,  
180, 82, 187, 42, 59, 73, 187, 34, 187, 44, 44, 170, 146, 89, 34, 43, 187, 21, 185,  
187,  
75, 187, 66, 76, 84, 148, 180, 197, 171, 176, 187, 148, 187, 9, 185, 220, 25, 73, 171,  
75,  
139, 0, 128, 139, 66, 32, 176, 176, 197, 136, 185, 153, 132, 137, 139, 139, 136, 184,  
0, 8,  
128, 8, 75, 4, 64, 8, 176, 0, 152, 128, 8, 176, 180, 8, 137, 155, 11, 180, 11, 11,  
0, 0, 180, 187, 4, 155, 136, 8, 0, 176, 139, 176, 176, 11, 148, 187, 187, 156, 149,  
178,  
4, 0, 64, 0, 0, 0, 0, 37, 0, 73, 153, 172, 152, 187, 176, 187, 153, 139, 0, 0,  
0, 64, 4, 11, 176, 64, 11, 176, 130, 187, 133, 66, 75, 152, 187, 184, 176, 4, 152, 4,  
68, 152, 36, 180, 64, 154, 235, 178, 43, 4, 181, 34, 171, 66, 176, 9, 75, 148, 43, 154,  
170, 153, 139, 136, 2, 187, 149, 92, 91, 66, 75, 167, 124, 168, 139, 2, 0, 75, 146, 6,  
171, 185, 176, 180, 0, 176, 128, 178, 68, 33, 34, 178, 80, 4, 36, 170, 175, 172, 169,  
153,  
175, 236, 41, 163, 89, 32, 29, 41, 11, 68, 136, 146, 170, 206, 238, 252, 202, 169,  
245, 42,  
41, 187, 74, 201, 171, 75, 187, 176, 66, 180, 176, 137, 34, 85, 2, 42, 9, 180, 74, 140,  
245, 34, 9, 75, 9, 68, 68, 36, 66, 2, 66, 73, 0, 146, 82, 98, 149, 146, 84, 68,

68, 187, 180, 159, 89, 155, 138, 250, 82, 146, 172, 202, 170, 42, 85, 213, 85, 33,  
165, 148,  
154, 146, 169, 41, 73, 148, 41, 187, 144, 153, 155, 165, 154, 197, 43, 73, 149, 73,  
141, 201,  
37, 201, 153, 153, 34, 148, 66, 180, 164, 169, 101, 153, 153, 153, 153, 153, 155,  
187, 187, 187,  
153, 155, 187, 65, 164, 73, 187, 149, 84, 158, 242, 18, 41, 185, 180, 180, 75, 153,  
155, 187,  
73, 148, 181, 79, 194, 68, 180, 154, 180, 187, 153, 146, 75, 176, 41, 157, 20, 68, 91,  
161,  
128, 11, 0, 0, 0, 68, 11, 11, 40, 137, 144, 152, 150, 128, 144, 11, 152, 176, 184, 8,  
176, 136, 64, 75, 80, 0, 184, 0, 5, 187, 11, 0, 176, 139, 143, 226, 68, 8, 144, 139,  
176, 137, 144, 75, 68, 184, 8, 139, 132, 11, 184, 176, 180, 176, 0, 8, 128, 140, 153,  
132,  
180, 0, 184, 8, 75, 0, 11, 0, 155, 139, 184, 139, 155, 11, 68, 187, 136, 139, 0, 184,  
0, 0, 4, 68, 36, 64, 0, 0, 169, 144, 180, 36, 68, 187, 68, 187, 11, 128, 146, 37,  
0, 64, 66, 153, 4, 185, 32, 187, 176, 11, 11, 111, 75, 180, 187, 66, 40, 187, 187, 41,  
153, 184, 11, 185, 184, 155, 154, 220, 91, 187, 34, 173, 250, 148, 148, 176, 66, 176,  
149, 2,  
75, 155, 152, 149, 36, 187, 4, 4, 32, 166, 34, 146, 89, 34, 42, 255, 221, 202, 153,  
170,  
223, 43, 169, 181, 89, 153, 156, 34, 2, 148, 66, 34, 170, 207, 255, 252, 170, 170, 26,  
162,  
160, 2, 68, 154, 153, 75, 187, 84, 185, 139, 36, 197, 68, 44, 184, 32, 139, 153, 41,  
172,  
97, 36, 68, 68, 64, 36, 73, 66, 68, 64, 6, 36, 37, 68, 4, 162, 70, 82, 34, 84,  
4, 68, 187, 185, 139, 184, 153, 170, 154, 169, 175, 202, 170, 22, 85, 250, 169, 163,  
168, 37,  
184, 154, 89, 164, 148, 185, 34, 74, 41, 152, 2, 164, 169, 165, 75, 187, 34, 41, 153,  
146,  
44, 57, 68, 155, 187, 187, 185, 153, 146, 20, 154, 170, 170, 172, 153, 153, 152, 187,  
187, 185,



146, 68, 187, 74, 34, 73, 148, 178, 34, 37, 170, 41, 187, 187, 153, 187, 185, 75, 185,  
187,  
73, 185, 178, 75, 75, 185, 187, 73, 180, 66, 187, 185, 75, 155, 187, 153, 187, 187,  
187, 95,  
144, 11, 144, 75, 8, 8, 169, 185, 184, 73, 185, 137, 152, 0, 139, 176, 11, 176, 149,  
136,  
64, 176, 2, 32, 43, 128, 136, 184, 11, 150, 156, 196, 139, 0, 138, 196, 155, 8, 252,  
155,  
0, 159, 52, 152, 139, 11, 187, 8, 8, 0, 0, 75, 11, 187, 139, 176, 139, 187, 152, 64,  
11, 187, 136, 176, 8, 128, 9, 41, 176, 176, 0, 72, 0, 184, 68, 180, 184, 139, 43, 69,  
43, 0, 0, 32, 68, 0, 0, 69, 40, 75, 11, 66, 34, 64, 178, 64, 11, 9, 170, 180,  
69, 98, 47, 73, 187, 185, 132, 184, 180, 0, 153, 162, 4, 36, 75, 138, 153, 210, 155,  
139,  
187, 187, 128, 128, 66, 42, 72, 84, 184, 180, 73, 170, 162, 184, 21, 4, 187, 68, 68,  
34,  
34, 11, 146, 68, 73, 185, 36, 68, 75, 34, 91, 73, 154, 162, 170, 172, 126, 202, 138,  
137,  
202, 168, 171, 2, 152, 152, 41, 144, 130, 155, 44, 100, 74, 172, 221, 204, 170, 153,  
171, 74,  
2, 66, 75, 66, 38, 169, 180, 68, 187, 171, 153, 42, 178, 38, 153, 36, 178, 66, 10, 242,  
5, 100, 66, 178, 68, 64, 73, 42, 75, 64, 2, 64, 84, 149, 64, 180, 153, 34, 34, 68,  
84, 66, 68, 155, 184, 153, 185, 154, 146, 170, 204, 202, 154, 146, 162, 90, 148, 162,  
184, 153,  
137, 41, 184, 9, 34, 66, 73, 73, 153, 75, 187, 73, 170, 253, 155, 154, 75, 75, 34, 75,  
34, 164, 68, 41, 178, 41, 146, 34, 73, 43, 148, 175, 220, 169, 172, 137, 136, 176,  
185, 91,  
73, 73, 181, 73, 153, 185, 148, 36, 68, 178, 199, 153, 185, 153, 153, 185, 153, 187,  
155, 187,  
185, 43, 180, 187, 187, 185, 187, 187, 148, 185, 187, 75, 185, 153, 11, 187, 187, 75,  
187, 2,  
128, 12, 218, 128, 8, 8, 58, 139, 248, 140, 239, 168, 139, 137, 64, 8, 184, 11, 176,  
155,  
136, 128, 185, 176, 187, 128, 0, 11, 0, 185, 181, 43, 0, 8, 184, 180, 0, 184, 221, 152,

132, 12, 218, 218, 136, 148, 139, 0, 0, 0, 0, 148, 136, 144, 180, 0, 8, 0, 187, 176,  
0, 136, 11, 0, 0, 184, 128, 128, 4, 8, 0, 176, 73, 137, 0, 145, 152, 11, 66, 87,  
84, 128, 184, 0, 176, 11, 0, 34, 91, 64, 34, 0, 68, 0, 11, 187, 68, 8, 144, 75,  
68, 66, 254, 36, 176, 185, 187, 137, 0, 148, 73, 139, 4, 70, 185, 185, 132, 20, 72, 68,  
176, 0, 4, 153, 73, 155, 11, 72, 153, 187, 37, 58, 84, 176, 180, 139, 36, 4, 64, 185,  
0, 185, 43, 187, 2, 72, 154, 73, 241, 81, 43, 73, 167, 58, 161, 170, 58, 152, 155, 152,  
169, 148, 153, 64, 4, 73, 180, 36, 132, 184, 153, 149, 72, 170, 204, 202, 170, 153,  
37, 75,  
178, 196, 85, 72, 43, 41, 82, 75, 68, 171, 171, 180, 79, 52, 81, 82, 8, 34, 152, 4,  
41, 2, 4, 180, 36, 153, 176, 66, 34, 146, 146, 32, 169, 34, 32, 2, 73, 42, 66, 73,  
36, 64, 21, 32, 41, 73, 154, 205, 58, 170, 175, 252, 202, 170, 84, 38, 202, 186, 40,  
153,  
152, 146, 168, 66, 149, 82, 153, 187, 153, 162, 181, 20, 152, 148, 68, 186, 187, 75,  
68, 75,  
34, 146, 178, 164, 153, 36, 148, 41, 68, 153, 154, 247, 127, 202, 175, 152, 184, 75,  
75, 171,  
180, 187, 185, 75, 155, 178, 66, 153, 36, 11, 146, 187, 187, 187, 75, 153, 155, 185,  
154, 52,  
66, 146, 180, 155, 156, 107, 185, 185, 75, 41, 155, 187, 185, 166, 176, 9, 43, 187,  
187, 0,  
8, 153, 170, 144, 187, 8, 137, 184, 155, 173, 126, 170, 152, 137, 64, 176, 0, 8, 40,  
187,  
0, 152, 144, 136, 4, 128, 136, 152, 11, 155, 0, 128, 11, 184, 187, 75, 136, 0, 168,  
136,  
176, 11, 44, 124, 152, 187, 0, 8, 9, 144, 0, 128, 152, 128, 176, 0, 0, 0, 184, 4,  
176, 11, 0, 176, 176, 184, 4, 176, 0, 128, 180, 75, 64, 187, 75, 184, 64, 8, 139, 69,  
35, 8, 187, 4, 187, 187, 66, 9, 75, 72, 180, 178, 139, 4, 0, 85, 20, 4, 128, 66,  
69, 74, 153, 180, 187, 178, 41, 185, 176, 180, 9, 36, 40, 64, 11, 101, 68, 152, 187,  
180,  
180, 75, 180, 150, 73, 176, 0, 155, 152, 176, 73, 42, 146, 80, 187, 36, 43, 66, 80,  
176,  
64, 9, 8, 146, 72, 148, 38, 170, 127, 43, 137, 72, 157, 250, 165, 153, 153, 153, 168,  
156,

36, 144, 43, 146, 73, 180, 180, 41, 155, 41, 137, 154, 36, 42, 204, 170, 154, 137,  
153, 68,  
66, 41, 148, 180, 82, 41, 34, 148, 66, 36, 146, 185, 137, 194, 154, 82, 176, 75, 11,  
154,  
153, 146, 11, 0, 180, 153, 73, 193, 35, 32, 4, 169, 153, 74, 75, 186, 92, 63, 132, 139,  
180, 68, 34, 180, 42, 146, 42, 172, 220, 172, 207, 250, 162, 172, 169, 34, 175, 37,  
185, 153,  
153, 36, 34, 222, 21, 20, 153, 153, 89, 98, 185, 180, 148, 145, 68, 68, 160, 152, 155,  
75,  
41, 154, 146, 153, 75, 36, 148, 74, 153, 153, 154, 205, 223, 170, 153, 136, 66, 66,  
11, 37,  
187, 75, 187, 187, 187, 145, 178, 154, 155, 185, 187, 187, 148, 75, 153, 73, 252,  
188, 18, 34,  
66, 54, 34, 164, 185, 34, 68, 66, 164, 75, 185, 73, 185, 204, 75, 187, 43, 187, 187,  
187,  
136, 152, 176, 0, 8, 8, 152, 128, 8, 138, 223, 152, 185, 187, 0, 11, 11, 137, 155, 4,  
32, 9, 64, 128, 0, 8, 154, 58, 176, 136, 73, 64, 0, 144, 0, 0, 0, 0, 136, 136,  
184, 0, 154, 169, 139, 64, 180, 0, 97, 187, 0, 184, 128, 184, 128, 0, 136, 139, 185,  
16,  
137, 176, 0, 68, 0, 11, 9, 11, 137, 11, 4, 9, 176, 0, 8, 185, 0, 75, 4, 64,  
149, 184, 139, 128, 137, 185, 64, 178, 148, 187, 146, 73, 128, 11, 11, 68, 36, 11,  
136, 206,  
144, 146, 155, 187, 187, 180, 64, 72, 153, 40, 152, 41, 176, 187, 176, 88, 72, 155,  
11, 187,  
178, 68, 149, 165, 162, 75, 137, 171, 128, 187, 9, 27, 187, 11, 75, 180, 184, 186, 88,  
66,  
96, 185, 137, 68, 176, 68, 82, 185, 196, 176, 185, 146, 47, 169, 66, 169, 159, 89,  
153, 46,  
164, 130, 9, 34, 73, 84, 153, 146, 148, 73, 146, 146, 148, 149, 169, 153, 152, 153,  
75, 153,  
176, 36, 162, 180, 82, 25, 137, 171, 35, 41, 68, 9, 146, 153, 156, 91, 11, 148, 139, 9,  
152, 213, 64, 66, 170, 176, 75, 197, 37, 41, 2, 185, 68, 75, 176, 177, 170, 220, 153,  
137,

66, 34, 37, 64, 146, 220, 156, 204, 252, 204, 207, 250, 202, 170, 170, 169, 172, 162,  
153, 153,  
137, 148, 34, 49, 90, 34, 165, 153, 36, 68, 68, 42, 162, 185, 180, 180, 153, 176, 43,  
74,  
91, 185, 82, 145, 21, 170, 156, 154, 153, 41, 154, 175, 250, 169, 169, 137, 70, 98,  
11, 68,  
185, 180, 155, 187, 187, 37, 73, 73, 155, 153, 187, 162, 180, 75, 187, 73, 223, 34,  
155, 187,  
73, 34, 68, 36, 68, 74, 0, 180, 194, 68, 68, 144, 185, 91, 187, 153, 68, 155, 180, 0,  
136, 136, 0, 0, 0, 139, 136, 144, 72, 41, 168, 153, 132, 176, 0, 184, 136, 137, 128,  
128,  
32, 11, 4, 139, 0, 8, 106, 136, 176, 0, 43, 0, 0, 144, 0, 9, 136, 136, 8, 128,  
136, 0, 184, 152, 136, 0, 184, 11, 41, 128, 10, 176, 184, 0, 0, 0, 8, 11, 198, 36,  
139, 176, 128, 68, 4, 187, 11, 11, 136, 144, 176, 130, 139, 8, 139, 220, 75, 138, 180,  
187,  
75, 0, 176, 11, 187, 128, 176, 176, 161, 4, 11, 180, 36, 176, 5, 64, 64, 75, 137, 215,  
201, 146, 176, 0, 8, 73, 176, 187, 139, 0, 138, 176, 176, 72, 11, 139, 184, 153, 180,  
148,  
0, 146, 5, 153, 36, 36, 73, 178, 144, 187, 43, 72, 36, 4, 34, 34, 153, 139, 176, 178,  
148, 176, 178, 68, 43, 81, 37, 178, 73, 185, 138, 34, 34, 148, 187, 2, 161, 201, 41,  
154,  
34, 37, 34, 66, 64, 34, 50, 130, 180, 159, 153, 153, 34, 37, 146, 170, 73, 178, 178,  
245,  
176, 152, 170, 68, 68, 152, 138, 107, 37, 91, 180, 68, 181, 162, 147, 245, 27, 66, 75,  
184,  
148, 34, 64, 205, 122, 139, 180, 98, 85, 152, 68, 75, 155, 73, 187, 34, 37, 170, 164,  
178,  
164, 82, 66, 73, 41, 170, 170, 255, 255, 207, 207, 223, 204, 202, 170, 170, 162, 165,  
153, 152,  
152, 34, 66, 28, 20, 36, 74, 251, 187, 75, 176, 146, 241, 148, 153, 153, 148, 155, 91,  
155,  
36, 4, 34, 145, 95, 253, 201, 153, 146, 169, 185, 170, 170, 168, 138, 146, 154, 84,  
73, 187,

187, 68, 187, 187, 146, 84, 187, 73, 153, 187, 164, 66, 43, 68, 155, 177, 73, 153,  
185, 187,  
187, 178, 73, 36, 180, 68, 187, 180, 182, 82, 73, 155, 187, 153, 187, 153, 187, 185,  
75, 11,  
8, 128, 11, 128, 176, 128, 136, 0, 137, 153, 185, 152, 180, 180, 0, 0, 8, 0, 11, 176,  
11, 187, 128, 176, 136, 128, 201, 171, 0, 184, 0, 176, 176, 176, 11, 0, 64, 0, 184, 0,  
0, 0, 0, 152, 128, 180, 187, 160, 176, 0, 12, 184, 0, 128, 8, 8, 11, 72, 243, 128,  
152, 128, 176, 0, 4, 0, 11, 0, 136, 187, 8, 75, 9, 137, 11, 41, 0, 199, 169, 130,  
187, 139, 176, 8, 8, 137, 196, 187, 35, 68, 139, 185, 187, 4, 0, 4, 11, 8, 153, 204,  
170, 36, 0, 176, 11, 11, 68, 8, 164, 64, 180, 68, 11, 75, 176, 176, 185, 185, 18, 68,  
36, 187, 5, 41, 41, 2, 43, 180, 36, 187, 148, 73, 5, 176, 75, 66, 88, 164, 128, 146,  
36, 144, 137, 75, 178, 207, 43, 73, 66, 4, 40, 41, 68, 155, 75, 4, 40, 75, 42, 198,  
36, 66, 66, 69, 72, 68, 153, 184, 66, 161, 41, 186, 81, 36, 154, 36, 66, 69, 34, 198,  
155, 137, 45, 24, 180, 184, 44, 124, 148, 36, 0, 187, 188, 153, 154, 162, 89, 184,  
185, 73,  
42, 162, 34, 221, 220, 168, 153, 85, 41, 0, 2, 42, 144, 64, 69, 66, 153, 156, 50, 155,  
185, 36, 66, 37, 73, 169, 172, 246, 253, 255, 221, 221, 255, 252, 202, 202, 170, 150,  
201, 171,  
176, 41, 73, 73, 164, 68, 34, 66, 36, 165, 34, 144, 156, 155, 184, 170, 73, 171, 156,  
101,  
36, 181, 73, 149, 175, 231, 250, 169, 66, 43, 185, 41, 156, 165, 170, 66, 153, 153,  
148, 41,  
153, 155, 155, 178, 66, 68, 34, 148, 153, 148, 34, 75, 155, 187, 187, 187, 153, 75,  
146, 155,  
165, 69, 100, 68, 75, 66, 187, 75, 146, 68, 68, 75, 176, 176, 178, 169, 187, 187, 176,  
0,  
184, 8, 0, 8, 0, 0, 0, 0, 185, 139, 187, 187, 139, 4, 187, 0, 11, 11, 8, 64,  
164, 184, 128, 11, 138, 170, 153, 139, 8, 11, 0, 144, 176, 187, 176, 128, 0, 8, 0, 0,  
8, 0, 0, 152, 187, 187, 0, 128, 8, 9, 4, 152, 0, 8, 128, 128, 129, 200, 185, 11,  
176, 128, 8, 4, 69, 36, 43, 176, 128, 139, 0, 75, 155, 128, 139, 144, 132, 161, 155,  
180,  
0, 11, 0, 11, 176, 159, 226, 34, 64, 178, 201, 242, 184, 252, 64, 0, 0, 137, 136, 185,  
139, 64, 64, 4, 11, 184, 68, 75, 130, 75, 75, 68, 75, 171, 180, 64, 184, 66, 82, 64,

193, 68, 11, 37, 27, 66, 68, 36, 75, 2, 162, 186, 184, 34, 11, 4, 34, 187, 178, 148,  
34, 11, 64, 180, 178, 74, 72, 68, 187, 153, 184, 139, 84, 187, 11, 187, 18, 9, 108,  
255,  
53, 34, 178, 37, 64, 36, 164, 139, 68, 170, 11, 41, 66, 34, 149, 36, 68, 185, 178, 146,  
73, 21, 156, 89, 73, 139, 42, 253, 250, 196, 187, 36, 187, 8, 185, 82, 146, 75, 170,  
41,  
37, 211, 132, 42, 169, 68, 73, 38, 91, 72, 72, 69, 164, 148, 185, 41, 153, 149, 201,  
41,  
75, 34, 18, 166, 42, 180, 170, 204, 255, 222, 238, 238, 238, 220, 253, 169, 169, 174,  
245, 25,  
180, 45, 82, 41, 34, 82, 75, 155, 187, 180, 180, 148, 149, 169, 185, 36, 185, 194,  
108, 171,  
153, 182, 91, 43, 44, 254, 202, 44, 66, 164, 185, 185, 173, 202, 34, 152, 169, 152,  
187, 153,  
153, 201, 36, 37, 36, 187, 187, 187, 187, 42, 73, 155, 187, 187, 153, 186, 89, 169,  
75, 187,  
172, 155, 36, 153, 11, 66, 187, 75, 180, 68, 36, 68, 148, 153, 10, 171, 75, 11, 75,  
187,  
72, 11, 11, 128, 8, 41, 0, 4, 8, 139, 128, 8, 176, 187, 176, 8, 0, 8, 11, 184,  
136, 185, 128, 11, 175, 125, 250, 152, 136, 0, 128, 8, 0, 139, 11, 0, 0, 0, 0,  
0, 8, 8, 162, 187, 176, 187, 139, 176, 0, 139, 0, 176, 9, 144, 128, 73, 137, 68, 136,  
0, 144, 136, 132, 0, 187, 176, 9, 43, 75, 72, 184, 160, 11, 176, 136, 128, 8, 75, 4,  
75, 176, 176, 64, 184, 8, 201, 207, 184, 186, 105, 229, 185, 204, 64, 24, 154, 139,  
144, 136,  
43, 64, 75, 176, 64, 11, 75, 187, 146, 43, 187, 38, 139, 68, 180, 75, 11, 9, 32, 82,  
73, 178, 75, 148, 68, 34, 90, 34, 64, 66, 181, 73, 154, 84, 32, 2, 34, 66, 148, 0,  
66, 40, 9, 32, 144, 73, 130, 149, 75, 187, 187, 155, 11, 75, 4, 75, 34, 34, 153, 41,  
86, 97, 66, 34, 162, 64, 36, 75, 146, 129, 64, 11, 149, 69, 42, 21, 84, 43, 85, 68,  
34, 41, 146, 152, 146, 144, 44, 174, 236, 229, 41, 43, 176, 43, 64, 185, 149, 37, 42,  
146,  
44, 222, 34, 101, 155, 66, 73, 66, 64, 68, 152, 68, 36, 156, 73, 36, 132, 75, 150, 170,  
18, 45, 53, 66, 66, 153, 202, 172, 255, 222, 231, 126, 237, 223, 204, 170, 169, 153,  
152, 153,

176, 159, 34, 214, 169, 66, 85, 75, 180, 180, 185, 153, 170, 155, 155, 73, 153, 42,  
220, 187,  
153, 68, 36, 194, 146, 170, 169, 156, 148, 84, 73, 74, 154, 153, 36, 10, 36, 185, 128,  
136,  
137, 148, 82, 180, 68, 180, 185, 43, 36, 153, 187, 187, 187, 185, 154, 157, 107, 185,  
155, 187,  
178, 73, 153, 69, 4, 148, 75, 155, 155, 148, 187, 180, 180, 153, 187, 187, 36, 185,  
155, 187,  
8, 128, 176, 0, 10, 16, 178, 171, 11, 187, 11, 8, 0, 128, 9, 0, 0, 8, 176, 0,  
72, 184, 4, 4, 172, 221, 250, 152, 139, 187, 4, 0, 0, 176, 0, 4, 0, 0, 0, 0,  
0, 128, 137, 176, 11, 8, 72, 75, 136, 11, 144, 184, 180, 73, 68, 4, 180, 148, 187, 136,  
184, 8, 11, 128, 9, 0, 128, 8, 0, 176, 72, 8, 8, 184, 128, 0, 132, 0, 68, 75,  
11, 8, 0, 185, 139, 128, 152, 75, 4, 155, 75, 153, 169, 180, 11, 84, 153, 155, 132,  
149,  
80, 2, 4, 34, 64, 184, 176, 8, 144, 75, 11, 10, 176, 184, 155, 155, 184, 68, 128, 75,  
185, 130, 176, 2, 68, 85, 242, 4, 34, 187, 180, 175, 148, 36, 68, 14, 84, 153, 36, 180,  
68, 75, 2, 64, 68, 75, 9, 68, 84, 187, 153, 84, 185, 75, 140, 75, 176, 73, 145, 196,  
154, 86, 37, 74, 122, 43, 187, 82, 89, 32, 180, 130, 146, 0, 66, 53, 82, 85, 85, 34,  
66, 130, 169, 66, 66, 0, 150, 42, 89, 166, 249, 75, 4, 64, 64, 176, 36, 180, 34, 72,  
37, 42, 186, 98, 73, 64, 180, 73, 43, 185, 4, 36, 20, 44, 73, 148, 152, 132, 175, 92,  
97, 194, 193, 170, 42, 172, 204, 207, 253, 238, 119, 119, 126, 221, 252, 204, 170,  
170, 170, 168,  
169, 153, 33, 238, 170, 75, 164, 169, 185, 187, 185, 41, 154, 82, 185, 153, 153, 84,  
146, 74,  
234, 153, 169, 164, 178, 153, 153, 153, 36, 4, 153, 185, 178, 181, 64, 79, 98, 154,  
72, 139,  
0, 146, 66, 68, 73, 153, 180, 25, 146, 43, 68, 75, 187, 176, 178, 188, 153, 146, 36,  
153,  
185, 155, 187, 166, 75, 75, 146, 185, 164, 148, 75, 180, 187, 75, 36, 187, 75, 185,  
155, 75,  
0, 136, 153, 137, 128, 8, 11, 41, 176, 128, 0, 176, 136, 8, 0, 176, 128, 136, 128, 148,  
64, 68, 176, 176, 136, 170, 169, 136, 187, 128, 11, 0, 4, 0, 176, 0, 136, 136, 128, 0,  
0, 8, 153, 0, 148, 65, 41, 187, 8, 187, 152, 8, 176, 73, 184, 148, 185, 148, 0, 136,

187, 132, 0, 9, 8, 0, 9, 72, 0, 0, 8, 128, 136, 249, 0, 137, 130, 155, 36, 4,  
176, 137, 80, 139, 8, 139, 144, 187, 106, 171, 9, 97, 225, 80, 4, 180, 11, 66, 0, 136,  
187, 2, 76, 113, 68, 4, 176, 187, 40, 0, 0, 154, 176, 66, 9, 136, 85, 75, 146, 0,  
148, 176, 4, 4, 43, 165, 90, 152, 176, 180, 149, 36, 84, 11, 2, 161, 68, 146, 34, 8,  
164, 64, 133, 66, 153, 148, 137, 68, 68, 68, 184, 68, 68, 75, 174, 196, 153, 69, 37,  
34,  
149, 37, 64, 154, 68, 36, 74, 41, 41, 41, 146, 170, 144, 75, 41, 84, 69, 87, 52, 21,  
34, 185, 2, 75, 153, 36, 149, 82, 170, 47, 58, 68, 9, 68, 204, 25, 184, 10, 98, 36,  
73, 146, 64, 90, 16, 72, 185, 153, 148, 72, 176, 185, 68, 36, 68, 89, 193, 43, 133,  
172,  
241, 172, 204, 172, 202, 193, 255, 255, 222, 238, 119, 119, 126, 221, 253, 252, 252,  
204, 172, 172,  
170, 133, 150, 108, 74, 169, 180, 43, 154, 155, 180, 180, 180, 164, 154, 153, 153,  
154, 146, 166,  
218, 73, 185, 187, 68, 76, 107, 66, 43, 185, 39, 18, 66, 182, 68, 34, 75, 68, 82, 137,  
148, 16, 164, 75, 75, 186, 41, 169, 187, 41, 180, 187, 75, 41, 185, 35, 169, 155, 68,  
155,  
185, 153, 155, 178, 73, 180, 37, 68, 43, 60, 89, 9, 187, 181, 9, 187, 176, 9, 155, 187,  
43, 8, 136, 144, 0, 8, 153, 100, 0, 184, 0, 128, 128, 128, 11, 4, 0, 152, 184, 148,  
0, 148, 0, 0, 8, 137, 152, 171, 8, 0, 176, 4, 0, 64, 0, 72, 128, 0, 0, 0,  
8, 137, 137, 186, 139, 156, 9, 75, 184, 176, 136, 0, 73, 207, 37, 170, 41, 66, 40, 176,  
128, 130, 0, 0, 176, 0, 11, 0, 128, 128, 128, 0, 128, 26, 11, 75, 132, 127, 75, 11,  
0, 184, 128, 180, 0, 11, 37, 68, 184, 4, 8, 41, 66, 75, 155, 68, 139, 75, 0, 8,  
187, 64, 10, 60, 36, 153, 48, 8, 72, 176, 0, 155, 4, 41, 139, 11, 181, 41, 11, 4,  
32, 34, 75, 73, 64, 69, 180, 66, 252, 43, 132, 184, 75, 187, 68, 176, 4, 64, 187, 4,  
176, 68, 66, 37, 218, 153, 144, 187, 155, 68, 148, 68, 43, 187, 66, 68, 186, 66, 162,  
36,  
146, 40, 91, 152, 68, 146, 175, 146, 76, 176, 66, 137, 36, 66, 89, 68, 66, 81, 21, 68,  
68, 187, 144, 178, 180, 139, 68, 36, 66, 154, 153, 82, 0, 82, 84, 185, 139, 130, 36,  
66,  
34, 98, 34, 34, 34, 66, 68, 180, 137, 73, 66, 2, 153, 193, 68, 64, 34, 152, 74, 173,  
25, 193, 169, 156, 26, 165, 170, 172, 207, 222, 119, 119, 238, 223, 204, 202, 202,  
170, 170, 168,



136, 42, 37, 108, 89, 153, 181, 41, 148, 185, 75, 41, 75, 180, 153, 146, 185, 153, 68,  
85,  
165, 187, 185, 180, 187, 186, 34, 36, 180, 75, 81, 36, 180, 68, 84, 155, 4, 180, 155,  
184,  
80, 68, 85, 73, 171, 74, 73, 73, 185, 186, 91, 177, 43, 41, 153, 186, 154, 50, 43, 155,  
82, 148, 187, 187, 187, 180, 153, 68, 185, 148, 153, 139, 68, 186, 64, 185, 185, 153,  
153, 187,  
11, 0, 136, 128, 176, 128, 152, 11, 0, 75, 136, 0, 0, 0, 128, 0, 8, 136, 136, 176,  
176, 185, 128, 0, 75, 8, 137, 187, 128, 8, 0, 138, 68, 16, 68, 73, 139, 0, 0, 0,  
10, 153, 139, 187, 0, 9, 9, 187, 136, 0, 9, 180, 187, 95, 28, 202, 170, 34, 152, 132,  
176, 0, 64, 0, 0, 0, 40, 0, 8, 176, 8, 176, 9, 64, 176, 180, 137, 204, 68, 176,  
0, 11, 64, 0, 4, 9, 68, 64, 187, 176, 84, 8, 75, 68, 155, 32, 137, 128, 176, 176,  
146, 68, 66, 82, 64, 4, 41, 9, 178, 75, 178, 80, 4, 64, 0, 176, 77, 24, 36, 132,  
66, 36, 155, 139, 148, 176, 34, 162, 34, 72, 187, 187, 11, 34, 64, 132, 9, 187, 4, 85,  
180, 68, 73, 47, 124, 153, 155, 184, 73, 36, 2, 32, 170, 11, 37, 155, 11, 66, 34, 155,  
174, 242, 40, 153, 165, 18, 247, 242, 212, 128, 11, 180, 43, 185, 9, 0, 136, 4, 242,  
66,  
73, 43, 74, 138, 128, 0, 178, 84, 178, 18, 186, 69, 84, 74, 36, 178, 43, 153, 66, 4,  
1, 201, 73, 171, 36, 34, 72, 146, 187, 73, 91, 43, 64, 40, 37, 11, 66, 153, 11, 168,  
169, 37, 154, 155, 41, 74, 37, 172, 204, 221, 231, 126, 237, 255, 202, 170, 218, 170,  
169, 136,  
152, 42, 146, 82, 41, 171, 178, 34, 185, 81, 36, 187, 187, 75, 185, 82, 73, 154, 68,  
86,  
75, 73, 185, 36, 73, 187, 34, 66, 68, 163, 73, 146, 68, 148, 187, 11, 34, 64, 66, 187,  
43, 178, 102, 73, 68, 85, 41, 73, 18, 44, 105, 187, 187, 43, 155, 176, 73, 34, 41, 73,  
185, 210, 91, 43, 187, 187, 75, 68, 11, 153, 185, 4, 73, 11, 75, 180, 185, 153, 155,  
185,  
148, 128, 8, 128, 9, 0, 136, 8, 0, 0, 128, 8, 0, 154, 64, 184, 185, 139, 136, 9,  
187, 176, 176, 128, 0, 8, 155, 184, 8, 11, 139, 139, 185, 32, 0, 73, 176, 176, 11, 0,  
136, 136, 152, 132, 0, 9, 8, 0, 0, 0, 187, 180, 153, 253, 237, 252, 41, 152, 64, 176,  
0, 64, 0, 0, 11, 187, 180, 0, 0, 152, 0, 176, 8, 11, 0, 64, 153, 132, 185, 73,  
64, 176, 66, 4, 154, 144, 68, 36, 0, 8, 41, 184, 64, 68, 4, 11, 201, 72, 11, 64,  
4, 64, 68, 0, 64, 139, 185, 66, 159, 40, 69, 68, 11, 185, 65, 75, 156, 187, 185, 136,

75, 32, 146, 128, 64, 11, 66, 139, 176, 152, 128, 176, 11, 68, 75, 180, 73, 153, 187,  
150,  
34, 148, 76, 42, 201, 155, 185, 132, 73, 5, 85, 86, 196, 187, 68, 9, 43, 84, 33, 68,  
199, 229, 90, 153, 79, 212, 154, 146, 91, 137, 66, 153, 155, 37, 132, 9, 9, 145, 34,  
38,  
41, 72, 185, 153, 169, 72, 180, 34, 41, 36, 178, 187, 84, 68, 180, 165, 69, 89, 148, 2,  
33, 152, 185, 32, 4, 66, 69, 34, 75, 34, 75, 68, 64, 64, 42, 185, 153, 180, 9, 168,  
169, 146, 34, 201, 74, 170, 162, 85, 204, 253, 238, 238, 221, 252, 202, 170, 170,  
170, 152, 169,  
34, 169, 153, 41, 137, 82, 68, 154, 202, 102, 43, 187, 37, 73, 37, 36, 83, 163, 36,  
165,  
89, 153, 201, 148, 21, 187, 68, 66, 41, 145, 153, 77, 90, 75, 180, 73, 163, 89, 180,  
11,  
185, 187, 37, 74, 81, 187, 43, 185, 75, 187, 36, 75, 185, 187, 69, 185, 162, 75, 86,  
32,  
180, 34, 75, 75, 153, 75, 75, 187, 187, 136, 184, 68, 36, 187, 75, 187, 68, 41, 73,  
187,  
9, 8, 136, 0, 184, 128, 8, 8, 152, 176, 0, 139, 0, 137, 176, 8, 8, 184, 180, 139,  
176, 176, 11, 128, 0, 0, 137, 73, 128, 0, 0, 176, 11, 128, 11, 89, 180, 128, 128, 0,  
128, 128, 144, 11, 8, 128, 9, 0, 137, 0, 72, 180, 172, 215, 126, 108, 41, 155, 139, 11,  
4, 187, 8, 180, 184, 64, 184, 152, 132, 2, 139, 0, 0, 136, 0, 0, 136, 132, 0, 36,  
0, 176, 4, 64, 152, 187, 180, 64, 0, 2, 73, 0, 180, 187, 155, 75, 194, 68, 75, 68,  
68, 192, 4, 4, 0, 153, 155, 187, 206, 84, 176, 1, 41, 188, 170, 187, 130, 155, 178,  
184,  
176, 0, 66, 187, 176, 176, 73, 213, 64, 34, 32, 11, 11, 155, 185, 34, 185, 169, 139,  
66,  
149, 36, 199, 242, 41, 73, 4, 66, 54, 32, 36, 45, 68, 11, 180, 11, 155, 68, 35, 194,  
44, 97, 22, 68, 74, 34, 169, 184, 153, 184, 66, 37, 132, 66, 155, 128, 148, 68, 68, 37,  
68, 146, 5, 146, 36, 184, 2, 162, 18, 72, 153, 184, 180, 72, 187, 68, 4, 146, 148, 36,  
36, 130, 68, 98, 148, 66, 130, 97, 36, 180, 75, 68, 139, 185, 153, 152, 43, 2, 68, 152,  
169, 146, 41, 171, 153, 81, 17, 108, 172, 255, 221, 221, 223, 204, 170, 172, 153,  
153, 170, 101,

79, 98, 41, 153, 43, 153, 153, 206, 234, 68, 75, 187, 243, 41, 197, 36, 33, 161, 41,  
36,  
75, 185, 162, 149, 36, 153, 164, 66, 36, 73, 162, 66, 34, 84, 147, 36, 108, 162, 68,  
75,  
187, 184, 176, 180, 37, 75, 16, 155, 187, 187, 68, 187, 187, 155, 38, 153, 187, 9,  
146, 153,  
66, 66, 180, 89, 178, 91, 187, 187, 187, 187, 180, 43, 149, 68, 75, 187, 187, 41, 185,  
187,  
0, 0, 184, 128, 0, 138, 139, 139, 8, 8, 11, 136, 136, 0, 64, 8, 144, 176, 176, 0,  
64, 184, 8, 139, 187, 0, 32, 136, 176, 139, 11, 187, 128, 0, 8, 203, 176, 187, 0, 0,  
8, 0, 0, 8, 139, 0, 8, 180, 176, 8, 128, 137, 159, 253, 54, 169, 43, 187, 128, 136,  
176, 184, 132, 144, 152, 8, 8, 128, 4, 153, 155, 68, 8, 128, 11, 0, 8, 11, 0, 64,  
64, 2, 148, 68, 0, 73, 155, 176, 0, 72, 0, 72, 17, 68, 155, 36, 156, 43, 184, 36,  
76, 105, 187, 0, 187, 164, 0, 32, 188, 100, 139, 133, 66, 143, 164, 0, 153, 178, 176,  
178,  
36, 185, 66, 0, 130, 34, 72, 84, 139, 193, 43, 68, 139, 187, 153, 171, 136, 152, 187,  
68,  
34, 34, 156, 74, 144, 139, 68, 2, 38, 20, 64, 66, 17, 68, 68, 66, 164, 68, 33, 34,  
74, 83, 118, 36, 153, 146, 41, 139, 185, 148, 194, 201, 148, 148, 152, 136, 146, 148,  
36, 4,  
139, 68, 9, 34, 66, 139, 153, 165, 66, 176, 85, 75, 176, 4, 9, 191, 100, 36, 68, 164,  
4, 36, 66, 5, 27, 153, 73, 148, 68, 68, 42, 187, 73, 178, 41, 136, 65, 82, 68, 152,  
153, 202, 185, 153, 82, 156, 26, 37, 172, 255, 253, 223, 252, 172, 202, 170, 34, 154,  
154, 41,  
174, 124, 25, 153, 82, 33, 250, 174, 229, 34, 66, 187, 42, 153, 69, 73, 185, 153, 68,  
178,  
43, 187, 68, 75, 187, 185, 194, 36, 153, 153, 153, 34, 156, 57, 146, 36, 26, 146, 75,  
169,  
187, 137, 144, 170, 84, 155, 153, 34, 164, 180, 73, 187, 68, 185, 66, 148, 191, 180,  
187, 146,  
148, 68, 146, 91, 185, 43, 37, 180, 176, 187, 11, 153, 180, 185, 11, 180, 180, 146,  
43, 178,  
8, 128, 8, 128, 0, 2, 11, 139, 176, 128, 0, 153, 128, 128, 0, 8, 128, 9, 11, 0,

4, 184, 128, 0, 64, 11, 0, 136, 139, 176, 180, 4, 185, 0, 153, 88, 11, 159, 0, 0,  
0, 11, 184, 128, 184, 0, 0, 184, 144, 176, 2, 9, 156, 207, 204, 136, 0, 187, 184, 128,  
8, 11, 11, 0, 176, 178, 128, 11, 184, 136, 4, 0, 128, 64, 176, 0, 8, 139, 0, 144,  
75, 6, 91, 69, 4, 47, 153, 68, 184, 91, 176, 68, 98, 4, 155, 0, 132, 68, 184, 73,  
42, 132, 176, 0, 0, 1, 4, 205, 82, 73, 132, 43, 184, 153, 75, 43, 187, 34, 0, 2,  
47, 36, 34, 75, 153, 164, 75, 44, 155, 146, 68, 73, 75, 148, 73, 170, 152, 153, 86,  
148,  
53, 74, 25, 136, 187, 66, 68, 187, 180, 66, 68, 75, 85, 68, 68, 66, 187, 74, 66, 68,  
66, 95, 53, 40, 33, 36, 148, 148, 185, 36, 75, 154, 20, 0, 153, 185, 73, 41, 178, 64,  
148, 66, 153, 34, 64, 180, 176, 66, 64, 44, 84, 75, 41, 68, 180, 138, 170, 155, 84,  
170,  
139, 66, 164, 41, 148, 148, 132, 180, 34, 164, 74, 68, 154, 153, 133, 154, 148, 64,  
64, 137,  
42, 127, 36, 41, 170, 98, 82, 172, 170, 172, 223, 220, 204, 172, 250, 170, 66, 153,  
154, 21,  
170, 171, 146, 162, 82, 147, 108, 174, 229, 186, 66, 75, 66, 153, 161, 155, 178, 157,  
41, 164,  
73, 68, 37, 32, 4, 153, 73, 68, 43, 155, 68, 89, 156, 91, 148, 73, 73, 33, 180, 153,  
73, 152, 12, 49, 132, 144, 34, 89, 101, 178, 75, 178, 68, 186, 106, 146, 172, 165,  
153, 155,  
36, 187, 155, 187, 185, 155, 43, 82, 187, 148, 75, 84, 180, 187, 185, 75, 153, 149,  
84, 187,  
152, 0, 8, 8, 144, 0, 8, 75, 184, 11, 128, 130, 0, 0, 8, 128, 128, 74, 0, 11,  
176, 176, 0, 128, 144, 144, 0, 139, 0, 184, 184, 11, 64, 8, 136, 138, 162, 178, 144, 0,  
8, 128, 137, 136, 0, 139, 144, 136, 128, 8, 180, 185, 42, 170, 139, 153, 180, 11, 0,  
152,  
139, 0, 187, 0, 139, 72, 139, 187, 11, 0, 8, 11, 0, 68, 128, 176, 9, 128, 0, 11,  
72, 128, 153, 144, 176, 146, 141, 96, 11, 146, 5, 36, 25, 4, 187, 180, 68, 184, 155,  
187,  
187, 155, 169, 132, 75, 34, 0, 206, 18, 68, 37, 11, 136, 137, 176, 26, 187, 11, 4, 2,  
10, 149, 100, 0, 76, 68, 164, 246, 155, 180, 36, 72, 156, 148, 156, 125, 169, 152,  
175, 2,  
169, 185, 74, 185, 64, 35, 41, 36, 68, 4, 0, 155, 68, 68, 68, 185, 75, 178, 83, 91,

33, 146, 162, 89, 195, 40, 180, 75, 146, 75, 9, 138, 52, 8, 137, 155, 73, 146, 34, 32,  
64, 64, 75, 155, 75, 130, 36, 69, 34, 44, 4, 68, 2, 84, 75, 178, 18, 162, 41, 153,  
4, 132, 189, 20, 180, 154, 153, 69, 34, 196, 154, 34, 153, 89, 173, 42, 68, 74, 149,  
178,  
66, 162, 42, 153, 146, 74, 162, 34, 92, 204, 252, 250, 170, 173, 17, 42, 75, 138, 165,  
86,  
146, 37, 41, 21, 20, 74, 153, 42, 108, 128, 148, 73, 153, 148, 37, 155, 41, 146, 201,  
84,  
75, 41, 155, 73, 249, 185, 187, 155, 187, 43, 34, 43, 177, 84, 34, 185, 155, 185, 155,  
8,  
187, 180, 154, 156, 73, 187, 187, 187, 148, 41, 75, 153, 36, 73, 148, 157, 58, 243,  
170, 185,  
43, 73, 180, 187, 185, 146, 161, 180, 9, 155, 155, 84, 180, 11, 172, 43, 187, 155, 68,  
2,  
0, 9, 0, 128, 0, 128, 185, 227, 155, 64, 0, 4, 0, 128, 0, 8, 8, 11, 180, 66,  
64, 40, 152, 128, 155, 144, 136, 128, 0, 8, 128, 187, 11, 11, 136, 137, 136, 187, 4, 0,  
139, 137, 9, 144, 0, 128, 176, 180, 176, 128, 144, 68, 198, 178, 139, 8, 155, 68, 8,  
128,  
0, 11, 0, 0, 187, 187, 0, 11, 136, 11, 0, 176, 0, 0, 139, 0, 0, 64, 8, 144,  
8, 152, 6, 16, 68, 132, 128, 176, 9, 144, 130, 43, 153, 11, 64, 4, 43, 8, 171, 185,  
11, 68, 49, 36, 180, 186, 16, 69, 37, 10, 98, 36, 76, 168, 68, 187, 186, 153, 73, 4,  
43, 146, 66, 187, 31, 180, 8, 155, 176, 180, 68, 75, 38, 37, 44, 126, 169, 136, 132,  
68,  
73, 72, 178, 137, 84, 166, 152, 40, 132, 176, 180, 34, 68, 0, 137, 139, 154, 18, 83,  
18,  
155, 68, 47, 100, 66, 187, 176, 8, 155, 73, 187, 139, 84, 72, 145, 84, 65, 178, 68, 2,  
64, 41, 146, 136, 75, 148, 36, 194, 42, 58, 36, 66, 68, 68, 68, 148, 0, 154, 41, 164,  
32, 41, 130, 20, 68, 146, 154, 193, 42, 73, 149, 43, 34, 66, 36, 4, 176, 8, 165, 149,  
153, 73, 137, 138, 146, 154, 170, 42, 207, 97, 175, 250, 250, 170, 101, 42, 73, 148,  
36, 33,  
197, 186, 153, 72, 69, 41, 169, 194, 152, 180, 73, 180, 155, 66, 180, 180, 153, 185,  
230, 66,

178, 19, 89, 166, 245, 180, 68, 187, 155, 73, 36, 180, 178, 42, 58, 185, 185, 66, 187,  
36,  
187, 74, 153, 198, 161, 162, 89, 187, 187, 185, 148, 155, 180, 187, 64, 157, 218,  
154, 36, 148,  
187, 82, 153, 155, 75, 146, 188, 187, 186, 89, 136, 8, 180, 155, 5, 171, 187, 11, 75,  
180,  
4, 8, 128, 128, 0, 144, 8, 255, 64, 4, 8, 8, 0, 64, 128, 8, 184, 0, 8, 0,  
0, 176, 72, 176, 139, 202, 187, 0, 8, 139, 8, 0, 0, 0, 8, 36, 136, 136, 0, 4,  
176, 128, 9, 152, 0, 184, 0, 128, 0, 11, 72, 73, 40, 176, 137, 136, 184, 64, 0, 176,  
144, 136, 75, 2, 168, 0, 4, 0, 132, 128, 139, 176, 64, 0, 144, 8, 75, 32, 136, 136,  
139, 146, 66, 32, 184, 187, 144, 11, 69, 128, 136, 32, 144, 64, 2, 4, 128, 75, 180, 0,  
8, 153, 193, 36, 64, 34, 25, 20, 37, 98, 82, 68, 76, 95, 100, 2, 41, 184, 155, 36,  
176, 8, 176, 187, 11, 187, 147, 240, 187, 66, 20, 43, 184, 187, 74, 250, 152, 149,  
164, 0,  
187, 187, 9, 0, 66, 9, 73, 74, 34, 185, 68, 69, 68, 4, 36, 185, 42, 250, 165, 69,  
36, 36, 154, 66, 41, 11, 11, 132, 41, 75, 180, 153, 85, 2, 176, 64, 180, 4, 38, 201,  
69, 73, 137, 73, 152, 148, 82, 106, 10, 41, 84, 194, 64, 0, 68, 53, 41, 34, 140, 200,  
36, 69, 83, 162, 69, 41, 154, 137, 137, 148, 158, 244, 161, 164, 245, 187, 164, 64,  
36, 148,  
153, 169, 42, 57, 162, 153, 154, 204, 49, 85, 172, 207, 218, 169, 41, 34, 153, 153,  
170, 36,  
44, 85, 26, 146, 164, 185, 34, 66, 152, 155, 184, 153, 128, 180, 185, 185, 164, 153,  
170, 21,  
144, 35, 201, 173, 41, 75, 68, 171, 187, 66, 201, 66, 84, 154, 124, 36, 187, 75, 154,  
186,  
43, 75, 169, 209, 164, 42, 25, 187, 75, 185, 84, 75, 180, 155, 153, 153, 169, 154,  
187, 75,  
177, 153, 185, 153, 73, 180, 176, 184, 140, 202, 155, 144, 176, 36, 185, 36, 144, 8,  
187, 178,  
176, 0, 0, 0, 0, 180, 0, 40, 153, 144, 176, 0, 0, 0, 128, 137, 64, 155, 155, 187,  
11, 0, 144, 0, 180, 204, 8, 136, 8, 176, 0, 4, 75, 64, 0, 155, 176, 184, 11, 187,  
136, 180, 155, 0, 184, 8, 0, 128, 176, 155, 4, 184, 139, 4, 8, 139, 185, 0, 176, 128,  
136, 152, 0, 187, 128, 0, 5, 0, 176, 132, 0, 10, 64, 0, 64, 128, 72, 176, 8, 136,

0, 225, 64, 8, 155, 185, 76, 41, 184, 0, 139, 139, 164, 136, 146, 34, 144, 36, 11, 0,  
187, 187, 34, 178, 2, 64, 185, 90, 2, 50, 176, 39, 82, 37, 185, 74, 217, 168, 180, 75,  
0, 11, 75, 139, 0, 164, 154, 155, 40, 64, 64, 76, 184, 73, 34, 153, 168, 152, 72, 184,  
178, 152, 149, 155, 176, 155, 128, 9, 155, 4, 4, 180, 68, 64, 68, 68, 245, 149, 68, 68,  
80, 171, 191, 98, 36, 187, 187, 187, 8, 101, 178, 18, 96, 148, 68, 155, 153, 130, 34,  
36,  
132, 11, 42, 139, 41, 148, 68, 42, 180, 75, 155, 148, 68, 132, 75, 91, 137, 139, 135,  
233,  
153, 132, 161, 152, 175, 89, 154, 73, 75, 146, 138, 171, 162, 74, 202, 2, 66, 68, 139,  
66,  
89, 152, 154, 58, 146, 169, 175, 170, 197, 85, 255, 234, 170, 153, 162, 74, 42, 90,  
166, 91,  
38, 204, 34, 172, 169, 68, 154, 153, 140, 169, 130, 137, 169, 187, 34, 66, 155, 85,  
154, 201,  
153, 66, 169, 180, 159, 251, 181, 187, 187, 75, 148, 17, 91, 66, 169, 68, 155, 176,  
144, 187,  
155, 180, 92, 162, 66, 68, 186, 11, 180, 180, 162, 196, 43, 34, 156, 148, 68, 68, 187,  
36,  
159, 53, 155, 69, 73, 178, 73, 11, 185, 43, 148, 184, 187, 187, 2, 43, 144, 139, 155,  
187,  
75, 128, 0, 11, 64, 11, 64, 185, 136, 128, 0, 176, 0, 0, 12, 99, 176, 139, 128, 0,  
0, 176, 132, 11, 64, 152, 0, 128, 128, 0, 136, 176, 72, 4, 176, 139, 0, 0, 0, 139,  
8, 64, 0, 11, 184, 8, 176, 0, 9, 176, 184, 139, 176, 0, 136, 128, 168, 136, 8, 128,  
8, 128, 64, 185, 176, 137, 128, 0, 144, 164, 0, 8, 144, 11, 8, 8, 136, 139, 187, 0,  
0, 32, 66, 0, 4, 73, 205, 153, 11, 4, 176, 4, 197, 136, 180, 154, 64, 64, 11, 11,  
11, 152, 184, 81, 20, 32, 176, 75, 68, 178, 66, 166, 90, 252, 153, 184, 187, 155, 4,  
64,  
176, 4, 66, 187, 139, 0, 136, 32, 75, 176, 73, 153, 133, 40, 36, 185, 162, 153, 184,  
136,  
134, 148, 139, 176, 64, 68, 176, 162, 98, 68, 0, 75, 64, 75, 82, 68, 194, 146, 68, 66,  
41, 66, 37, 36, 73, 180, 180, 0, 68, 204, 73, 82, 36, 66, 148, 180, 165, 69, 85, 84,  
148, 153, 42, 88, 130, 34, 32, 41, 144, 64, 11, 73, 34, 74, 73, 84, 184, 162, 156, 202,

36, 180, 73, 180, 148, 153, 195, 41, 148, 68, 153, 148, 132, 11, 153, 70, 36, 32, 152,  
66,  
153, 153, 130, 236, 170, 97, 199, 250, 170, 165, 247, 218, 153, 170, 169, 44, 194,  
42, 45, 194,  
146, 166, 185, 42, 250, 42, 206, 41, 158, 202, 130, 217, 169, 196, 185, 69, 153, 90,  
186, 57,  
74, 146, 180, 73, 66, 84, 154, 153, 36, 146, 36, 155, 68, 90, 162, 68, 148, 176, 11,  
187,  
153, 205, 159, 229, 187, 75, 242, 187, 89, 187, 187, 178, 148, 44, 159, 169, 153,  
187, 187, 185,  
170, 98, 187, 162, 68, 66, 146, 0, 66, 73, 155, 160, 176, 34, 10, 187, 185, 187, 128,  
155,  
0, 0, 0, 11, 11, 0, 64, 8, 176, 128, 0, 0, 0, 8, 11, 162, 8, 184, 8, 128,  
11, 0, 0, 11, 139, 0, 128, 136, 136, 128, 128, 176, 11, 176, 11, 0, 0, 9, 136, 139,  
136, 128, 184, 139, 136, 136, 0, 0, 184, 4, 152, 0, 11, 176, 184, 139, 152, 187, 11, 0,  
136, 128, 0, 180, 0, 0, 136, 136, 9, 168, 0, 136, 176, 180, 144, 176, 0, 137, 187, 64,  
11, 128, 0, 184, 11, 153, 184, 153, 68, 38, 160, 4, 72, 176, 132, 75, 68, 64, 187, 139,  
0, 9, 139, 68, 155, 68, 36, 187, 75, 165, 66, 68, 47, 127, 185, 155, 75, 153, 176, 0,  
153, 11, 66, 187, 187, 11, 11, 132, 40, 185, 72, 152, 64, 66, 75, 184, 33, 89, 152,  
155,  
0, 139, 176, 0, 68, 73, 32, 81, 169, 4, 68, 32, 64, 64, 171, 41, 196, 172, 37, 4,  
69, 89, 186, 160, 181, 146, 180, 68, 148, 187, 153, 82, 75, 180, 153, 210, 31, 82, 36,  
64,  
82, 45, 36, 10, 138, 174, 234, 73, 69, 148, 180, 139, 194, 33, 162, 41, 41, 149, 185,  
137,  
148, 148, 41, 146, 146, 186, 238, 84, 178, 36, 153, 185, 146, 153, 72, 74, 164, 155,  
185, 185,  
155, 73, 153, 28, 175, 229, 172, 218, 197, 41, 175, 218, 169, 172, 218, 174, 105,  
165, 82, 41,  
42, 175, 154, 172, 124, 34, 170, 169, 154, 201, 153, 194, 32, 155, 66, 73, 201, 153,  
148, 201,  
153, 68, 185, 181, 18, 180, 36, 146, 187, 178, 36, 187, 73, 42, 171, 153, 149, 185, 4,  
187,



185, 86, 154, 202, 180, 154, 154, 180, 148, 187, 155, 185, 155, 187, 73, 153, 187,  
187, 180, 66,  
185, 178, 187, 246, 155, 180, 146, 178, 146, 149, 43, 153, 155, 73, 187, 153, 187,  
176, 184, 187,  
152, 176, 176, 128, 11, 128, 0, 68, 8, 9, 11, 0, 0, 8, 0, 8, 4, 139, 0, 0,  
8, 0, 128, 164, 139, 144, 136, 11, 128, 0, 68, 72, 0, 64, 176, 11, 184, 8, 0, 177,  
139, 64, 176, 8, 176, 128, 128, 176, 176, 136, 0, 0, 68, 11, 0, 11, 176, 11, 184, 11,  
0, 137, 64, 0, 187, 0, 128, 2, 10, 187, 128, 11, 0, 9, 64, 75, 139, 157, 36, 178,  
155, 2, 8, 72, 180, 184, 32, 8, 133, 66, 132, 152, 185, 148, 148, 180, 74, 68, 187,  
139,  
0, 176, 187, 4, 68, 180, 4, 4, 176, 34, 198, 132, 73, 250, 11, 187, 75, 184, 187, 64,  
144, 75, 176, 11, 178, 36, 11, 143, 201, 136, 178, 155, 36, 180, 74, 82, 42, 41, 137,  
180,  
162, 0, 176, 4, 146, 66, 144, 168, 41, 148, 4, 176, 146, 10, 178, 188, 58, 215, 20, 73,  
149, 75, 155, 180, 187, 41, 73, 41, 155, 184, 41, 90, 164, 36, 181, 82, 37, 162, 34,  
36,  
185, 82, 72, 176, 178, 174, 234, 153, 2, 0, 41, 68, 60, 70, 149, 42, 25, 166, 41, 168,  
148, 149, 40, 173, 169, 154, 202, 176, 66, 153, 153, 153, 69, 146, 88, 154, 220, 155,  
41, 176,  
155, 185, 148, 153, 207, 249, 162, 82, 169, 148, 175, 202, 169, 165, 101, 172, 169,  
34, 33, 185,  
165, 187, 68, 146, 202, 41, 42, 185, 162, 210, 41, 41, 40, 132, 149, 26, 218, 41, 153,  
155,  
181, 37, 187, 180, 36, 153, 90, 101, 91, 153, 66, 66, 187, 185, 164, 153, 187, 65,  
185, 155,  
4, 185, 73, 41, 36, 185, 153, 153, 181, 153, 154, 73, 148, 153, 75, 185, 187, 155,  
185, 66,  
75, 180, 75, 37, 150, 171, 185, 148, 171, 164, 198, 34, 153, 81, 171, 149, 187, 176,  
0, 155,  
132, 64, 4, 176, 0, 0, 0, 9, 176, 8, 0, 0, 8, 0, 8, 160, 64, 148, 152, 136,  
176, 128, 137, 213, 155, 128, 128, 0, 8, 0, 9, 176, 0, 11, 176, 8, 0, 0, 9, 8,  
176, 64, 176, 75, 176, 176, 0, 136, 128, 11, 8, 0, 139, 0, 9, 187, 155, 196, 176, 0,  
0, 184, 8, 0, 0, 11, 8, 8, 130, 40, 136, 0, 0, 11, 64, 4, 130, 66, 139, 184,

176, 180, 185, 75, 187, 128, 162, 75, 180, 139, 139, 139, 68, 11, 66, 137, 67, 164,  
187, 75,  
75, 0, 0, 65, 84, 75, 187, 187, 128, 153, 44, 180, 153, 41, 187, 4, 68, 68, 85, 75,  
144, 11, 176, 80, 180, 36, 75, 154, 41, 137, 185, 153, 187, 187, 185, 41, 68, 139,  
170, 187,  
146, 64, 128, 36, 68, 36, 41, 153, 164, 155, 76, 248, 4, 68, 75, 180, 169, 207, 18, 75,  
180, 75, 181, 66, 180, 108, 155, 72, 168, 40, 187, 174, 98, 153, 34, 66, 68, 143, 20,  
20,  
153, 84, 36, 66, 68, 10, 162, 152, 176, 2, 66, 84, 36, 43, 44, 196, 187, 137, 73, 34,  
66, 68, 73, 247, 218, 169, 145, 66, 2, 148, 180, 137, 153, 66, 43, 74, 127, 37, 21,  
194,  
169, 132, 139, 41, 169, 169, 165, 165, 42, 146, 170, 202, 153, 34, 153, 156, 169,  
169, 34, 169,  
136, 34, 73, 170, 181, 207, 239, 41, 169, 242, 153, 149, 36, 146, 37, 105, 42, 18,  
187, 180,  
180, 186, 73, 155, 41, 73, 188, 51, 27, 187, 187, 68, 68, 185, 36, 75, 75, 180, 154,  
66,  
90, 82, 73, 155, 153, 187, 155, 154, 185, 70, 247, 41, 187, 174, 41, 36, 154, 155,  
185, 155,  
68, 187, 75, 153, 92, 249, 178, 73, 43, 68, 149, 162, 66, 92, 36, 73, 75, 155, 8, 155,  
128, 11, 0, 176, 0, 64, 8, 0, 0, 184, 176, 184, 0, 0, 0, 139, 0, 8, 139, 25,  
11, 153, 170, 169, 184, 8, 8, 136, 8, 128, 11, 176, 0, 128, 0, 8, 176, 0, 185, 0,  
136, 187, 73, 251, 0, 176, 128, 11, 0, 64, 8, 0, 176, 9, 137, 180, 164, 18, 128, 0,  
8, 0, 0, 128, 8, 0, 8, 0, 138, 88, 152, 180, 176, 139, 8, 84, 11, 4, 187, 178,  
75, 4, 72, 139, 11, 185, 16, 8, 0, 0, 139, 144, 128, 0, 155, 75, 185, 64, 68, 180,  
72, 184, 4, 68, 180, 180, 187, 176, 136, 184, 75, 187, 8, 137, 185, 9, 8, 11, 68, 4,  
37, 187, 186, 52, 132, 180, 180, 9, 155, 187, 180, 68, 75, 187, 153, 36, 180, 38, 202,  
75,  
187, 148, 9, 34, 68, 68, 132, 169, 155, 171, 173, 122, 73, 144, 176, 73, 169, 170, 84,  
65,  
64, 73, 66, 68, 5, 246, 155, 187, 2, 75, 145, 81, 246, 185, 84, 73, 75, 163, 105, 201,  
82, 36, 69, 36, 144, 185, 185, 132, 68, 74, 34, 20, 170, 68, 76, 225, 43, 148, 186,  
146,

4, 66, 185, 173, 125, 170, 152, 186, 42, 41, 153, 146, 41, 155, 36, 154, 85, 36, 36,  
84,  
41, 169, 133, 34, 137, 153, 41, 74, 154, 169, 156, 202, 153, 178, 153, 154, 153, 133,  
175, 168,  
152, 66, 75, 254, 170, 193, 237, 202, 43, 34, 32, 158, 223, 165, 153, 37, 170, 164,  
187, 178,  
43, 68, 187, 187, 148, 153, 185, 202, 171, 185, 153, 73, 155, 148, 34, 36, 37, 187,  
41, 66,  
111, 210, 178, 154, 171, 153, 155, 169, 171, 186, 173, 43, 185, 156, 153, 153, 153,  
153, 187, 187,  
75, 75, 41, 186, 156, 18, 36, 36, 75, 75, 75, 187, 148, 68, 34, 42, 139, 180, 75, 153,  
8, 153, 0, 4, 176, 136, 176, 5, 40, 128, 11, 176, 128, 0, 0, 128, 9, 136, 137, 202,  
128, 153, 168, 176, 176, 128, 128, 11, 8, 152, 0, 0, 11, 11, 0, 169, 0, 0, 144, 0,  
72, 185, 153, 144, 0, 11, 8, 75, 0, 176, 8, 176, 8, 2, 8, 176, 75, 43, 0, 11,  
4, 64, 0, 9, 0, 139, 40, 136, 137, 136, 155, 36, 0, 137, 130, 144, 75, 11, 193, 75,  
128, 0, 136, 184, 128, 139, 0, 178, 0, 0, 0, 128, 180, 64, 0, 80, 139, 176, 185, 176,  
176, 4, 137, 34, 68, 9, 72, 11, 187, 75, 64, 11, 8, 136, 66, 8, 11, 8, 34, 5,  
19, 2, 130, 80, 187, 72, 148, 176, 152, 155, 187, 132, 75, 187, 154, 155, 164, 38,  
201, 73,  
4, 187, 68, 34, 66, 68, 152, 146, 153, 82, 186, 194, 32, 176, 0, 11, 41, 148, 34, 68,  
91, 68, 171, 2, 69, 197, 34, 178, 21, 75, 37, 36, 204, 155, 42, 43, 185, 130, 66, 66,  
66, 82, 34, 84, 68, 9, 152, 130, 75, 34, 86, 68, 34, 165, 66, 66, 73, 74, 153, 37,  
66, 36, 72, 172, 237, 152, 153, 66, 41, 155, 138, 178, 89, 34, 146, 41, 36, 178, 153,  
74,  
92, 202, 149, 186, 36, 146, 34, 41, 154, 170, 156, 170, 145, 187, 73, 158, 204, 169,  
44, 153,  
148, 146, 74, 97, 152, 159, 85, 60, 146, 66, 153, 154, 206, 249, 203, 34, 91, 82, 68,  
86,  
36, 187, 187, 73, 153, 187, 180, 26, 169, 154, 175, 36, 187, 34, 89, 68, 82, 75, 186,  
181,  
154, 43, 187, 146, 68, 185, 155, 149, 144, 187, 180, 43, 146, 149, 148, 153, 73, 153,  
187, 176,

148, 155, 73, 187, 146, 149, 155, 68, 36, 180, 176, 187, 66, 42, 214, 75, 187, 187,  
176, 185,  
64, 180, 9, 152, 0, 72, 0, 133, 169, 0, 180, 11, 184, 0, 128, 176, 0, 0, 128, 176,  
0, 0, 136, 75, 187, 176, 0, 152, 176, 176, 139, 128, 64, 0, 184, 4, 0, 136, 9, 136,  
136, 11, 128, 128, 144, 64, 180, 11, 0, 176, 8, 128, 139, 146, 184, 153, 187, 180, 0,  
4,  
68, 11, 184, 139, 8, 148, 210, 4, 8, 72, 128, 0, 184, 180, 0, 0, 75, 4, 253, 132,  
75, 4, 11, 144, 72, 128, 11, 185, 139, 64, 66, 180, 176, 187, 136, 180, 132, 8, 11,  
185,  
139, 0, 153, 98, 180, 153, 155, 4, 136, 73, 64, 139, 159, 249, 2, 176, 66, 137, 127,  
64,  
36, 4, 144, 132, 153, 187, 176, 40, 75, 139, 139, 180, 43, 155, 73, 139, 185, 255,  
152, 152,  
128, 184, 66, 66, 66, 82, 186, 73, 153, 66, 153, 84, 192, 180, 10, 180, 155, 155, 197,  
66,  
101, 74, 36, 83, 34, 197, 85, 162, 36, 34, 37, 49, 107, 132, 153, 40, 148, 152, 148,  
181,  
41, 36, 74, 241, 34, 66, 137, 144, 68, 4, 68, 72, 163, 161, 32, 2, 74, 2, 153, 37,  
139, 68, 40, 170, 170, 153, 161, 69, 98, 75, 0, 144, 76, 102, 149, 155, 155, 34, 34,  
254,  
202, 170, 144, 73, 176, 66, 154, 34, 170, 252, 172, 170, 8, 89, 187, 42, 161, 168,  
170, 41,  
68, 178, 68, 154, 200, 73, 170, 146, 148, 148, 9, 9, 154, 153, 187, 178, 68, 36, 68,  
66,  
36, 11, 180, 185, 75, 148, 148, 162, 155, 185, 172, 169, 171, 75, 187, 150, 34, 75,  
155, 0,  
155, 36, 11, 43, 187, 187, 43, 75, 153, 144, 153, 169, 43, 242, 68, 180, 34, 154, 75,  
187,  
146, 178, 187, 187, 169, 180, 148, 66, 91, 176, 148, 187, 154, 161, 98, 75, 153, 153,  
180, 176,  
137, 73, 136, 128, 0, 0, 10, 136, 68, 187, 8, 136, 0, 0, 136, 136, 128, 0, 8, 184,  
137, 8, 0, 64, 0, 185, 8, 0, 0, 137, 9, 128, 176, 8, 128, 43, 132, 8, 64, 128,  
139, 0, 176, 128, 5, 137, 0, 187, 0, 11, 128, 0, 0, 153, 144, 11, 155, 0, 136, 132,

0, 0, 139, 184, 0, 8, 169, 144, 8, 152, 128, 73, 132, 64, 152, 128, 204, 139, 155, 8,  
137, 176, 41, 180, 68, 155, 176, 11, 36, 43, 0, 0, 184, 180, 153, 9, 43, 187, 128, 0,  
139, 176, 180, 68, 162, 37, 64, 33, 144, 132, 2, 144, 45, 217, 187, 180, 75, 178, 220,  
187,  
0, 68, 32, 180, 75, 75, 0, 43, 187, 176, 187, 42, 75, 180, 180, 180, 76, 220, 170, 136,  
11, 152, 75, 85, 68, 66, 153, 172, 36, 174, 111, 20, 36, 34, 69, 176, 185, 68, 146, 68,  
130, 69, 43, 86, 73, 68, 92, 209, 34, 70, 85, 21, 164, 148, 36, 36, 153, 176, 32, 73,  
73, 34, 146, 97, 41, 64, 73, 148, 148, 146, 68, 68, 33, 34, 34, 64, 35, 37, 148, 72,  
155, 4, 165, 168, 41, 169, 146, 74, 63, 170, 2, 153, 35, 84, 66, 68, 137, 146, 90, 215,  
218, 108, 169, 146, 68, 42, 185, 155, 156, 125, 154, 169, 153, 153, 74, 42, 175, 153,  
214, 154,  
192, 41, 153, 154, 153, 68, 148, 165, 36, 64, 36, 34, 138, 162, 9, 155, 91, 68, 180,  
162,  
41, 185, 21, 148, 75, 75, 153, 153, 185, 186, 204, 89, 153, 171, 73, 165, 194, 73,  
155, 170,  
155, 154, 155, 178, 73, 185, 169, 73, 68, 180, 242, 186, 73, 82, 154, 68, 153, 36, 73,  
185,  
185, 155, 241, 186, 41, 187, 153, 75, 36, 180, 148, 155, 163, 180, 37, 73, 27, 68, 68,  
180,  
137, 148, 72, 128, 128, 64, 8, 139, 0, 128, 0, 0, 11, 139, 0, 136, 136, 8, 8, 0,  
8, 0, 136, 0, 8, 8, 0, 0, 8, 136, 128, 0, 8, 152, 176, 144, 2, 8, 10, 2,  
132, 184, 128, 11, 173, 155, 0, 176, 11, 187, 186, 8, 128, 8, 155, 64, 169, 0, 8, 0,  
0, 2, 144, 9, 8, 136, 153, 8, 0, 8, 155, 136, 180, 137, 128, 137, 197, 9, 187, 187,  
139, 75, 64, 0, 72, 187, 11, 187, 201, 32, 11, 178, 4, 5, 139, 184, 176, 11, 75, 64,  
176, 176, 176, 130, 199, 236, 40, 187, 68, 187, 153, 164, 178, 144, 73, 9, 148, 11,  
169, 132,  
75, 188, 68, 4, 73, 68, 68, 64, 34, 68, 15, 89, 187, 154, 11, 187, 79, 252, 169, 136,  
11, 155, 180, 34, 68, 84, 34, 68, 69, 23, 214, 162, 34, 68, 81, 68, 11, 73, 171, 187,  
0, 155, 34, 41, 66, 68, 35, 53, 86, 65, 20, 68, 36, 11, 32, 148, 188, 36, 34, 4,  
148, 69, 186, 194, 69, 152, 41, 73, 152, 144, 66, 68, 66, 68, 144, 36, 65, 165, 68,  
180,  
144, 75, 172, 43, 185, 89, 180, 36, 172, 241, 9, 101, 37, 34, 86, 36, 73, 185, 34, 95,

197, 170, 146, 0, 34, 84, 154, 148, 154, 252, 156, 170, 153, 154, 90, 42, 199, 202,  
34, 146,  
52, 73, 153, 148, 43, 68, 137, 161, 42, 202, 153, 74, 175, 194, 146, 128, 180, 43, 73,  
164,  
86, 180, 75, 68, 187, 187, 153, 185, 185, 73, 241, 146, 153, 155, 43, 241, 196, 43,  
187, 36,  
36, 65, 68, 148, 185, 155, 68, 75, 75, 187, 68, 167, 162, 153, 68, 185, 187, 153, 73,  
185,  
162, 187, 28, 74, 201, 169, 153, 75, 185, 196, 180, 73, 170, 185, 145, 90, 249, 75,  
34, 146,  
8, 139, 0, 0, 136, 176, 184, 128, 136, 132, 0, 0, 0, 176, 0, 8, 128, 8, 10, 144,  
139, 0, 132, 0, 152, 155, 32, 75, 8, 0, 136, 187, 180, 72, 128, 75, 176, 137, 11, 147,  
160, 139, 8, 128, 0, 64, 0, 64, 0, 8, 38, 8, 11, 11, 9, 184, 11, 185, 0, 184,  
176, 8, 137, 8, 0, 8, 180, 0, 128, 176, 128, 8, 8, 136, 184, 144, 153, 11, 11, 0,  
11, 68, 9, 0, 187, 187, 153, 178, 72, 176, 155, 4, 11, 128, 4, 139, 176, 4, 187, 184,  
176, 148, 11, 148, 199, 229, 156, 40, 11, 152, 137, 33, 66, 73, 89, 176, 176, 4, 148,  
139,  
180, 36, 185, 66, 84, 180, 64, 8, 146, 68, 143, 162, 64, 252, 68, 187, 175, 202, 169,  
152,  
136, 180, 36, 68, 73, 68, 36, 34, 4, 153, 170, 162, 68, 66, 64, 75, 68, 17, 162, 75,  
68, 164, 85, 66, 66, 41, 154, 41, 65, 33, 84, 66, 84, 65, 20, 68, 180, 154, 18, 185,  
132, 68, 38, 194, 153, 137, 73, 21, 41, 139, 36, 36, 68, 20, 84, 75, 178, 176, 37, 64,  
4, 11, 34, 164, 148, 91, 187, 66, 155, 149, 61, 49, 37, 81, 149, 84, 172, 91, 66, 165,  
227, 162, 73, 64, 82, 36, 148, 153, 172, 170, 169, 168, 169, 154, 175, 41, 170, 169,  
89, 148,  
85, 162, 136, 149, 128, 159, 82, 37, 67, 58, 36, 66, 89, 73, 66, 68, 155, 180, 82, 153,  
90, 180, 187, 73, 36, 68, 153, 187, 153, 154, 153, 73, 60, 187, 73, 153, 153, 187, 75,  
149,  
36, 180, 73, 170, 69, 155, 68, 68, 155, 4, 177, 37, 34, 146, 186, 52, 43, 180, 75, 162,  
178, 187, 37, 154, 223, 41, 180, 187, 178, 210, 180, 187, 187, 185, 154, 105, 164,  
146, 36, 42,  
139, 184, 64, 128, 128, 11, 11, 0, 0, 0, 8, 0, 8, 139, 128, 136, 0, 8, 187, 11,  
8, 72, 0, 152, 88, 168, 64, 8, 8, 0, 128, 88, 8, 0, 0, 32, 0, 11, 0, 185,

68, 0, 11, 0, 0, 128, 0, 11, 128, 0, 176, 9, 144, 128, 180, 187, 184, 184, 8, 184,  
0, 11, 128, 8, 0, 8, 176, 128, 9, 0, 0, 176, 0, 136, 184, 185, 249, 0, 11, 176,  
11, 72, 139, 184, 187, 184, 187, 185, 169, 128, 137, 4, 2, 36, 11, 155, 11, 9, 0, 8,  
75, 0, 9, 139, 149, 25, 247, 192, 185, 0, 11, 75, 68, 73, 152, 137, 180, 4, 11, 74,  
69, 98, 185, 68, 36, 64, 68, 9, 153, 139, 185, 132, 0, 34, 69, 152, 204, 170, 153, 155,  
139, 185, 180, 18, 8, 66, 68, 64, 34, 73, 155, 184, 36, 68, 75, 216, 164, 193, 41, 75,  
2, 34, 34, 66, 132, 18, 162, 65, 66, 84, 68, 64, 4, 45, 100, 162, 73, 38, 18, 185,  
144, 155, 153, 137, 153, 137, 133, 84, 74, 73, 68, 34, 68, 18, 20, 68, 153, 75, 68, 36,  
36, 8, 172, 194, 155, 66, 9, 36, 155, 74, 198, 242, 34, 37, 210, 166, 246, 194, 36, 42,  
61, 43, 69, 36, 85, 64, 194, 146, 166, 200, 186, 154, 169, 154, 166, 168, 41, 162, 41,  
153,  
45, 58, 91, 153, 4, 138, 165, 37, 34, 165, 43, 194, 153, 58, 64, 66, 153, 43, 75, 185,  
20, 187, 201, 164, 66, 64, 73, 153, 73, 68, 34, 18, 170, 187, 33, 89, 180, 155, 187,  
66,  
187, 187, 180, 169, 185, 155, 187, 66, 73, 180, 149, 146, 75, 178, 66, 36, 73, 73, 42,  
90,  
185, 187, 242, 149, 254, 34, 68, 187, 185, 162, 180, 73, 153, 185, 155, 187, 147, 89,  
155, 156,  
139, 180, 144, 0, 9, 11, 132, 176, 0, 0, 11, 0, 8, 139, 128, 0, 8, 128, 176, 144,  
0, 176, 128, 108, 73, 153, 41, 0, 0, 8, 128, 144, 0, 11, 128, 8, 0, 11, 0, 11,  
176, 176, 8, 0, 0, 155, 176, 176, 0, 0, 0, 12, 32, 0, 180, 8, 184, 0, 9, 64,  
0, 187, 128, 176, 176, 8, 128, 128, 0, 8, 72, 0, 0, 136, 144, 186, 110, 251, 153, 176,  
132, 11, 184, 184, 68, 11, 139, 180, 187, 11, 68, 37, 136, 184, 187, 8, 187, 0, 128,  
11,  
32, 155, 0, 128, 41, 130, 162, 75, 0, 153, 2, 4, 68, 152, 139, 72, 136, 180, 8, 185,  
153, 32, 153, 68, 21, 32, 2, 73, 91, 176, 11, 0, 187, 155, 66, 66, 250, 152, 137, 144,  
155, 176, 4, 32, 184, 180, 68, 68, 32, 75, 69, 43, 145, 184, 186, 242, 154, 189, 82,  
43,  
68, 68, 4, 68, 41, 164, 98, 33, 34, 36, 66, 68, 84, 148, 41, 161, 90, 92, 36, 149,  
25, 75, 148, 91, 153, 137, 242, 68, 84, 36, 36, 34, 153, 42, 68, 73, 139, 176, 11, 81,  
153, 148, 159, 207, 200, 170, 65, 36, 176, 155, 149, 32, 146, 207, 63, 254, 170, 34,  
146, 146,

170, 34, 82, 4, 185, 11, 82, 168, 138, 89, 153, 152, 153, 146, 162, 153, 153, 153,  
153, 69,  
31, 18, 164, 136, 36, 153, 148, 68, 34, 73, 73, 213, 73, 194, 155, 185, 178, 160, 185,  
148,  
153, 185, 43, 43, 187, 68, 73, 69, 185, 153, 178, 36, 161, 153, 174, 217, 43, 73, 187,  
73,  
75, 180, 188, 102, 202, 153, 73, 68, 155, 180, 74, 148, 41, 42, 82, 75, 68, 162, 36,  
185,  
90, 148, 155, 155, 37, 155, 73, 75, 148, 148, 180, 66, 250, 185, 155, 186, 66, 43, 73,  
171,  
0, 4, 0, 139, 176, 176, 11, 176, 0, 0, 68, 0, 8, 128, 176, 0, 136, 148, 8, 128,  
11, 176, 176, 155, 136, 72, 75, 34, 184, 11, 0, 176, 0, 0, 0, 176, 184, 139, 0, 139,  
4, 91, 176, 0, 132, 185, 128, 0, 0, 136, 0, 0, 0, 64, 139, 75, 176, 11, 187, 0,  
0, 176, 11, 128, 64, 0, 137, 72, 149, 155, 176, 0, 128, 8, 128, 137, 173, 249, 139,  
176,  
64, 11, 4, 155, 144, 75, 187, 162, 73, 68, 4, 34, 88, 64, 180, 184, 132, 32, 0, 11,  
153, 137, 185, 4, 84, 146, 168, 0, 180, 73, 187, 72, 180, 187, 185, 153, 187, 170, 75,  
184,  
168, 185, 139, 155, 85, 68, 180, 36, 144, 187, 176, 68, 82, 2, 32, 11, 73, 169, 162,  
72,  
153, 139, 152, 68, 180, 75, 153, 85, 73, 36, 178, 32, 152, 72, 154, 22, 69, 76, 175,  
160,  
66, 32, 68, 73, 36, 75, 20, 37, 34, 68, 34, 64, 245, 153, 155, 73, 68, 92, 161, 21,  
42, 36, 178, 82, 66, 154, 57, 68, 66, 148, 68, 10, 242, 34, 152, 66, 148, 0, 68, 42,  
144, 187, 42, 247, 58, 171, 149, 66, 132, 149, 36, 153, 66, 255, 223, 170, 91, 153,  
154, 149,  
246, 41, 73, 2, 155, 170, 153, 25, 43, 169, 153, 154, 153, 149, 154, 44, 41, 194, 148,  
149,  
21, 86, 36, 66, 76, 36, 64, 68, 72, 187, 42, 82, 130, 75, 11, 148, 138, 68, 42, 169,  
148, 180, 36, 66, 43, 178, 255, 245, 42, 68, 155, 84, 43, 148, 253, 197, 73, 43, 75,  
73,  
73, 180, 154, 215, 105, 153, 73, 185, 193, 187, 153, 10, 209, 81, 58, 153, 187, 185,  
180, 187,



181, 187, 155, 11, 69, 25, 75, 176, 178, 187, 176, 180, 213, 73, 187, 153, 194, 155,  
178, 43,  
137, 66, 176, 176, 4, 176, 0, 176, 4, 0, 0, 8, 11, 128, 9, 8, 128, 68, 184, 148,  
132, 136, 11, 11, 0, 8, 11, 252, 64, 155, 11, 11, 148, 4, 75, 8, 137, 139, 0, 8,  
148, 184, 0, 148, 139, 180, 139, 148, 2, 139, 64, 0, 9, 187, 0, 152, 184, 9, 68, 11,  
8, 128, 184, 184, 72, 0, 157, 16, 153, 137, 64, 144, 139, 203, 136, 152, 9, 148, 0, 64,  
64, 32, 4, 185, 187, 64, 8, 178, 162, 91, 162, 69, 200, 176, 11, 185, 40, 0, 0, 68,  
185, 139, 139, 176, 187, 148, 155, 184, 187, 4, 72, 171, 11, 75, 184, 136, 136, 8, 34,  
41,  
136, 75, 4, 0, 36, 36, 176, 2, 187, 11, 32, 64, 64, 185, 88, 4, 185, 72, 187, 66,  
88, 137, 34, 66, 68, 187, 69, 84, 36, 43, 180, 75, 180, 186, 175, 185, 37, 75, 153,  
153,  
4, 36, 34, 68, 180, 66, 68, 68, 82, 65, 20, 68, 128, 187, 148, 43, 146, 17, 66, 169,  
72, 153, 65, 68, 75, 37, 169, 65, 68, 0, 41, 47, 234, 42, 171, 41, 36, 180, 184, 64,  
75, 36, 137, 157, 252, 168, 194, 171, 73, 154, 148, 36, 202, 207, 220, 172, 41, 36,  
180, 185,  
255, 89, 42, 91, 82, 173, 41, 137, 146, 153, 153, 159, 50, 162, 153, 23, 18, 213, 18,  
89,  
87, 217, 34, 73, 151, 82, 68, 178, 66, 153, 36, 43, 41, 11, 36, 68, 181, 66, 34, 36,  
41, 185, 180, 155, 155, 84, 156, 226, 21, 73, 187, 74, 75, 187, 68, 149, 153, 178,  
180, 150,  
20, 155, 154, 193, 89, 180, 187, 146, 42, 75, 36, 42, 115, 53, 34, 75, 155, 73, 155,  
187,  
146, 169, 153, 176, 68, 73, 155, 187, 155, 187, 75, 187, 36, 73, 155, 153, 171, 185,  
146, 75,  
151, 20, 128, 176, 64, 0, 176, 176, 0, 0, 8, 176, 64, 0, 184, 184, 8, 187, 176, 128,  
11, 8, 185, 144, 0, 128, 11, 64, 176, 40, 0, 178, 0, 4, 136, 8, 136, 137, 139, 137,  
132, 11, 132, 152, 128, 64, 0, 136, 8, 139, 176, 0, 0, 64, 8, 128, 32, 0, 0, 72,  
8, 139, 184, 0, 8, 0, 0, 0, 64, 139, 187, 136, 176, 164, 184, 184, 137, 130, 176, 180,  
8, 187, 153, 68, 139, 132, 146, 196, 180, 180, 64, 184, 4, 5, 34, 144, 136, 64, 64,  
155,  
186, 146, 72, 128, 4, 2, 36, 4, 4, 64, 0, 136, 73, 188, 202, 136, 187, 130, 139, 72,  
136, 24, 187, 148, 64, 4, 43, 176, 176, 0, 146, 11, 64, 34, 75, 155, 138, 153, 185, 75,

185, 185, 146, 187, 82, 187, 42, 69, 73, 64, 180, 72, 146, 75, 153, 75, 34, 187, 172,  
57,  
196, 2, 37, 176, 180, 9, 68, 68, 66, 21, 68, 146, 16, 75, 220, 36, 157, 118, 36, 2,  
185, 64, 68, 80, 66, 74, 148, 68, 72, 73, 66, 93, 84, 154, 68, 26, 146, 185, 180, 4,  
128, 32, 41, 153, 172, 202, 41, 41, 149, 162, 74, 20, 42, 175, 204, 204, 36, 148, 75,  
68,  
33, 41, 148, 82, 34, 194, 37, 72, 172, 89, 154, 138, 148, 34, 146, 83, 244, 68, 36, 17,  
163, 18, 66, 73, 149, 68, 64, 9, 4, 139, 153, 187, 41, 180, 8, 148, 34, 30, 50, 185,  
68, 162, 153, 169, 153, 68, 73, 42, 82, 73, 155, 180, 180, 153, 41, 155, 155, 187, 68,  
146,  
36, 153, 170, 42, 153, 153, 153, 34, 73, 153, 145, 146, 81, 98, 186, 155, 9, 187, 185,  
185,  
92, 124, 180, 187, 178, 66, 162, 187, 187, 187, 187, 178, 180, 43, 187, 128, 180,  
193, 153, 155,  
11, 176, 176, 155, 11, 0, 4, 184, 75, 11, 0, 0, 128, 0, 8, 0, 11, 8, 4, 176,  
0, 8, 176, 176, 0, 152, 136, 187, 144, 137, 0, 144, 0, 8, 0, 187, 128, 136, 136, 9,  
11, 0, 145, 34, 41, 155, 9, 136, 136, 152, 128, 0, 0, 64, 169, 8, 11, 187, 0, 155,  
9, 136, 8, 0, 8, 0, 0, 8, 0, 176, 136, 0, 136, 0, 0, 176, 132, 180, 185, 86,  
8, 152, 148, 187, 187, 148, 43, 43, 42, 187, 68, 132, 68, 150, 194, 160, 185, 38, 64,  
2,  
69, 40, 155, 0, 69, 4, 180, 152, 0, 66, 64, 139, 182, 42, 114, 155, 153, 139, 130, 26,  
0, 5, 50, 155, 11, 187, 152, 176, 4, 64, 4, 153, 180, 73, 164, 128, 146, 187, 185, 64,  
73, 155, 180, 66, 91, 75, 186, 68, 187, 34, 155, 184, 66, 176, 155, 187, 68, 152, 170,  
217,  
34, 73, 68, 75, 34, 148, 75, 66, 2, 117, 64, 155, 66, 85, 90, 153, 34, 37, 66, 195,  
36, 4, 68, 36, 73, 159, 165, 153, 41, 148, 66, 40, 137, 69, 178, 41, 105, 148, 154,  
180,  
178, 18, 91, 162, 170, 170, 164, 73, 145, 84, 33, 36, 68, 33, 170, 149, 144, 81, 144,  
37,  
90, 89, 166, 195, 95, 118, 169, 42, 162, 185, 168, 185, 149, 187, 178, 34, 44, 82,  
185, 85,  
153, 164, 146, 69, 68, 64, 36, 41, 184, 184, 154, 66, 0, 148, 184, 38, 36, 70, 18, 185,

180, 148, 187, 41, 148, 164, 178, 154, 27, 144, 75, 34, 148, 86, 90, 59, 169, 185,  
187, 84,  
75, 73, 89, 69, 98, 154, 153, 41, 185, 155, 66, 185, 70, 57, 153, 187, 185, 187, 155,  
73,  
154, 85, 75, 145, 153, 15, 49, 41, 187, 187, 187, 187, 164, 91, 176, 68, 180, 42, 187,  
187,  
168, 161, 144, 64, 32, 0, 0, 185, 184, 64, 8, 8, 0, 136, 139, 11, 9, 187, 0, 128,  
0, 11, 0, 176, 11, 0, 0, 0, 72, 136, 4, 64, 8, 8, 176, 128, 128, 155, 139, 11,  
136, 64, 159, 155, 155, 176, 72, 136, 8, 136, 176, 128, 144, 72, 136, 8, 8, 0, 8, 136,  
11, 136, 11, 136, 139, 136, 185, 136, 8, 0, 176, 8, 8, 128, 0, 139, 128, 0, 187, 154,  
155, 184, 185, 152, 154, 169, 153, 137, 36, 153, 155, 132, 8, 41, 64, 155, 2, 4, 0,  
155,  
187, 153, 153, 9, 68, 4, 64, 68, 4, 187, 176, 155, 176, 152, 152, 84, 153, 153, 148,  
68,  
11, 10, 217, 64, 176, 11, 180, 11, 0, 180, 187, 139, 75, 4, 98, 68, 5, 43, 37, 67,  
45, 242, 180, 41, 155, 11, 187, 149, 37, 72, 187, 187, 36, 68, 41, 9, 185, 73, 137,  
152,  
162, 148, 68, 64, 149, 84, 68, 146, 180, 18, 68, 185, 180, 66, 187, 153, 178, 66, 66,  
83,  
41, 0, 73, 185, 43, 146, 152, 152, 144, 153, 148, 68, 37, 69, 69, 66, 148, 69, 164, 68,  
181, 82, 0, 4, 42, 154, 169, 73, 153, 36, 34, 84, 180, 31, 169, 144, 0, 36, 41, 166,  
178, 154, 83, 172, 47, 222, 28, 26, 85, 41, 185, 36, 84, 153, 41, 41, 73, 18, 149, 43,  
75, 154, 146, 37, 42, 146, 34, 68, 11, 75, 156, 164, 155, 75, 144, 149, 68, 89, 154,  
187,  
185, 11, 75, 153, 187, 178, 144, 162, 137, 251, 43, 73, 164, 146, 82, 162, 17, 155,  
187, 38,  
204, 171, 185, 69, 153, 149, 201, 155, 187, 185, 185, 153, 185, 169, 187, 187, 75,  
187, 185, 180,  
185, 148, 187, 73, 196, 170, 169, 75, 185, 148, 75, 187, 180, 75, 75, 176, 185, 75,  
187, 153,  
146, 81, 32, 155, 36, 9, 187, 0, 11, 176, 128, 0, 136, 8, 176, 128, 136, 11, 187, 0,  
196, 0, 0, 0, 8, 136, 176, 180, 139, 4, 0, 0, 0, 152, 148, 128, 0, 137, 136, 11,  
144, 0, 0, 9, 152, 0, 152, 0, 8, 11, 75, 72, 176, 11, 136, 64, 11, 64, 185, 11,

9, 4, 4, 176, 185, 136, 11, 9, 0, 187, 187, 137, 0, 128, 187, 128, 8, 137, 180, 187,  
139, 154, 139, 186, 154, 170, 168, 159, 201, 237, 169, 148, 8, 32, 176, 176, 0, 0,  
148, 66,  
153, 137, 187, 187, 176, 21, 0, 75, 187, 155, 184, 178, 176, 185, 68, 75, 136, 187,  
139, 69,  
68, 68, 75, 187, 155, 36, 187, 155, 132, 36, 187, 43, 184, 180, 100, 66, 161, 155, 66,  
101,  
215, 50, 75, 153, 42, 139, 185, 148, 75, 185, 176, 148, 132, 155, 47, 43, 187, 43,  
184, 153,  
168, 146, 68, 187, 68, 80, 68, 161, 80, 68, 68, 155, 178, 73, 146, 42, 75, 185, 18, 34,  
66, 4, 82, 69, 43, 132, 73, 149, 153, 185, 89, 34, 165, 165, 49, 34, 75, 152, 136, 68,  
138, 68, 162, 42, 99, 201, 153, 43, 73, 33, 66, 73, 133, 25, 73, 41, 152, 33, 25, 84,  
146, 73, 172, 146, 41, 204, 202, 164, 152, 153, 153, 148, 153, 187, 166, 36, 164,  
164, 148, 74,  
36, 146, 41, 36, 41, 164, 149, 64, 154, 172, 11, 146, 180, 153, 154, 186, 68, 36, 76,  
171,  
155, 180, 187, 153, 155, 255, 178, 68, 186, 249, 75, 187, 75, 69, 146, 165, 92, 153,  
187, 159,  
85, 194, 149, 162, 37, 153, 34, 41, 43, 187, 187, 169, 148, 73, 187, 155, 187, 187,  
185, 187,  
185, 68, 187, 178, 73, 153, 153, 153, 185, 89, 69, 187, 181, 187, 187, 187, 180, 41,  
187, 75,  
66, 81, 91, 242, 64, 64, 176, 187, 81, 184, 136, 8, 8, 8, 0, 0, 0, 152, 187, 152,  
43, 4, 0, 0, 184, 144, 0, 136, 176, 8, 168, 11, 176, 137, 139, 184, 9, 136, 137, 184,  
0, 64, 4, 0, 128, 11, 136, 128, 0, 144, 79, 57, 0, 176, 139, 176, 176, 0, 73, 12,  
155, 128, 4, 11, 8, 153, 176, 0, 139, 136, 11, 171, 128, 8, 136, 144, 9, 187, 4, 176,  
0, 137, 153, 154, 204, 202, 170, 170, 170, 238, 250, 184, 4, 155, 68, 187, 11, 0, 153,  
172,  
32, 8, 11, 176, 180, 68, 68, 4, 43, 144, 155, 11, 68, 176, 0, 176, 8, 185, 152, 2,  
84, 75, 4, 75, 176, 68, 2, 180, 196, 47, 152, 155, 180, 152, 11, 176, 185, 11, 180, 66,  
205, 201, 64, 68, 204, 68, 70, 43, 153, 155, 155, 73, 75, 185, 109, 160, 149, 148,  
178, 153,

185, 153, 153, 4, 148, 36, 64, 157, 251, 64, 11, 185, 75, 34, 153, 68, 153, 153, 34,  
69,  
36, 72, 180, 178, 187, 144, 185, 146, 148, 74, 149, 92, 37, 33, 21, 38, 105, 34, 178,  
42,  
178, 34, 20, 149, 21, 34, 34, 68, 73, 149, 34, 68, 68, 66, 10, 58, 75, 149, 170, 153,  
149, 43, 95, 148, 170, 90, 169, 66, 68, 37, 34, 66, 187, 73, 165, 34, 201, 148, 148,  
66,  
73, 185, 44, 153, 41, 155, 91, 34, 83, 225, 11, 146, 73, 156, 91, 148, 36, 18, 73, 66,  
187, 187, 155, 153, 187, 154, 146, 75, 185, 187, 164, 185, 155, 66, 73, 41, 43, 187,  
169, 153,  
34, 36, 186, 81, 81, 148, 83, 84, 153, 37, 154, 170, 73, 187, 187, 187, 68, 64, 187,  
185,  
180, 36, 187, 4, 36, 185, 187, 180, 75, 187, 75, 187, 185, 185, 75, 180, 187, 73, 185,  
148,  
187, 21, 171, 106, 64, 9, 162, 176, 34, 187, 136, 128, 9, 11, 0, 8, 139, 137, 139, 136,  
152, 176, 0, 176, 72, 136, 184, 139, 184, 137, 153, 72, 11, 11, 176, 11, 187, 128,  
128, 8,  
11, 68, 0, 128, 176, 0, 185, 0, 9, 11, 138, 251, 0, 128, 11, 11, 176, 0, 155, 147,  
249, 0, 68, 0, 0, 136, 0, 8, 128, 8, 0, 66, 176, 2, 168, 155, 9, 64, 176, 187,  
11, 152, 153, 172, 221, 221, 252, 170, 138, 204, 168, 187, 146, 64, 187, 155, 185,  
11, 137, 34,  
75, 0, 136, 11, 0, 5, 64, 9, 34, 187, 75, 11, 184, 198, 155, 8, 185, 41, 8, 0,  
68, 9, 184, 41, 148, 146, 184, 137, 194, 36, 178, 180, 159, 89, 153, 200, 155, 178,  
64, 64,  
152, 85, 0, 185, 207, 34, 38, 75, 155, 185, 148, 36, 187, 11, 84, 155, 155, 187, 86,  
152,  
139, 75, 73, 154, 37, 146, 185, 95, 152, 68, 187, 132, 178, 33, 204, 41, 75, 155, 132,  
68,  
66, 184, 34, 177, 91, 130, 41, 153, 34, 84, 168, 166, 89, 145, 34, 37, 84, 34, 36, 43,  
149, 36, 36, 69, 82, 41, 34, 4, 130, 34, 36, 64, 75, 68, 64, 169, 8, 41, 170, 146,  
203, 185, 172, 154, 202, 170, 169, 94, 36, 178, 43, 153, 68, 74, 37, 41, 185, 66, 37,  
146,

41, 66, 199, 250, 153, 153, 180, 66, 169, 90, 75, 149, 73, 154, 169, 194, 66, 53, 68,  
75,  
155, 9, 155, 155, 155, 187, 154, 73, 153, 181, 36, 185, 169, 69, 43, 169, 149, 186,  
155, 155,  
180, 66, 158, 201, 37, 73, 161, 41, 146, 34, 187, 82, 75, 185, 155, 187, 187, 180,  
171, 75,  
153, 153, 187, 187, 155, 148, 187, 11, 187, 187, 155, 180, 187, 163, 148, 187, 180,  
66, 148, 162,  
137, 9, 242, 144, 176, 32, 204, 75, 69, 176, 187, 184, 11, 0, 0, 0, 176, 128, 139, 153,  
128, 139, 176, 0, 128, 184, 128, 187, 8, 139, 11, 128, 176, 75, 128, 187, 9, 136, 128,  
176,  
0, 176, 184, 0, 176, 176, 184, 128, 0, 0, 137, 139, 180, 176, 132, 4, 136, 8, 11, 34,  
236, 0, 4, 8, 8, 0, 11, 4, 0, 0, 0, 148, 8, 64, 8, 155, 191, 219, 184, 4,  
136, 137, 146, 205, 238, 237, 220, 202, 153, 170, 136, 68, 187, 11, 187, 176, 136,  
136, 176, 176,  
68, 178, 64, 184, 153, 144, 0, 178, 187, 64, 64, 187, 187, 79, 73, 68, 9, 60, 8, 178,  
11, 187, 187, 11, 178, 148, 73, 41, 193, 153, 137, 72, 164, 146, 34, 185, 130, 36,  
148, 36,  
41, 148, 75, 9, 145, 22, 82, 34, 185, 34, 66, 27, 66, 75, 139, 84, 66, 68, 44, 160,  
149, 89, 81, 82, 147, 41, 146, 198, 148, 185, 90, 186, 73, 154, 37, 69, 80, 144, 68,  
37,  
11, 146, 73, 132, 75, 146, 162, 153, 34, 0, 36, 21, 202, 149, 66, 66, 41, 81, 68, 176,  
146, 37, 68, 178, 146, 40, 36, 68, 73, 146, 68, 34, 64, 144, 64, 73, 8, 155, 47, 122,  
153, 37, 154, 154, 170, 170, 74, 86, 74, 68, 73, 197, 42, 166, 101, 180, 185, 154, 34,  
169,  
68, 178, 254, 223, 162, 153, 185, 146, 66, 153, 185, 187, 172, 41, 164, 146, 41, 18,  
36, 73,  
185, 155, 187, 187, 185, 191, 81, 169, 197, 153, 68, 187, 155, 178, 202, 185, 185,  
148, 43, 36,  
37, 145, 163, 169, 38, 68, 66, 41, 165, 195, 155, 153, 146, 185, 153, 153, 153, 21,  
11, 41,  
241, 153, 155, 169, 186, 155, 73, 176, 187, 153, 155, 187, 187, 146, 153, 68, 177,  
84, 185, 202,

8, 148, 32, 11, 155, 176, 139, 176, 137, 4, 187, 64, 64, 75, 8, 0, 128, 0, 132, 139,  
0, 185, 0, 11, 4, 128, 0, 64, 128, 128, 187, 11, 8, 184, 64, 0, 136, 72, 139, 8,  
8, 11, 0, 128, 0, 98, 43, 8, 8, 136, 185, 155, 0, 75, 2, 180, 128, 0, 128, 11,  
36, 128, 0, 187, 132, 0, 136, 144, 0, 187, 128, 11, 0, 0, 9, 72, 137, 155, 64, 144,  
8, 137, 156, 253, 231, 126, 239, 250, 168, 152, 184, 146, 64, 144, 187, 187, 176,  
155, 185, 176,  
9, 68, 0, 40, 128, 185, 144, 176, 11, 176, 11, 68, 176, 139, 144, 75, 136, 197, 66, 8,  
144, 9, 84, 165, 4, 164, 2, 184, 92, 155, 176, 41, 85, 152, 136, 201, 153, 152, 187,  
137,  
184, 41, 32, 184, 153, 194, 68, 188, 178, 18, 185, 36, 68, 4, 180, 84, 34, 153, 148,  
187,  
155, 66, 17, 105, 0, 73, 4, 74, 0, 4, 180, 137, 154, 21, 171, 186, 89, 128, 82, 37,  
84, 180, 168, 152, 148, 4, 169, 185, 36, 66, 36, 34, 100, 152, 37, 148, 180, 82, 65,  
176,  
34, 66, 75, 38, 160, 153, 34, 41, 89, 68, 68, 90, 68, 0, 2, 132, 156, 105, 47, 233,  
172, 153, 41, 165, 169, 162, 43, 69, 180, 73, 90, 153, 68, 69, 82, 155, 73, 171, 73,  
242,  
187, 185, 172, 201, 25, 153, 148, 75, 68, 36, 162, 41, 252, 73, 165, 34, 153, 178, 75,  
187,  
41, 153, 148, 37, 169, 190, 243, 169, 153, 69, 68, 180, 75, 75, 252, 73, 34, 171, 148,  
18,  
81, 85, 41, 169, 181, 155, 187, 68, 44, 205, 73, 64, 37, 174, 249, 155, 68, 17, 187,  
74,  
170, 246, 153, 250, 43, 148, 75, 185, 186, 153, 153, 176, 75, 153, 73, 155, 178, 36,  
159, 124,  
136, 176, 4, 176, 153, 11, 139, 185, 187, 4, 8, 128, 11, 136, 176, 136, 144, 128, 136,  
136,  
128, 8, 176, 11, 11, 139, 11, 75, 184, 136, 4, 75, 11, 136, 8, 169, 8, 137, 132, 184,  
144, 0, 136, 128, 0, 73, 0, 0, 8, 139, 12, 228, 0, 11, 185, 34, 169, 176, 11, 0,  
137, 155, 72, 137, 73, 0, 136, 193, 128, 128, 8, 176, 128, 0, 73, 40, 153, 155, 187,  
36,  
11, 164, 172, 253, 231, 119, 237, 204, 170, 152, 137, 162, 144, 11, 11, 8, 64, 137,  
177, 208,

75, 194, 0, 146, 0, 11, 180, 37, 73, 0, 139, 185, 144, 185, 176, 20, 0, 146, 5, 43,  
139, 137, 64, 252, 89, 0, 187, 4, 145, 73, 184, 8, 72, 153, 185, 107, 137, 171, 64, 34,  
137, 187, 75, 153, 136, 132, 2, 83, 170, 73, 154, 148, 36, 75, 38, 43, 4, 42, 180, 176,  
36, 245, 33, 90, 169, 139, 148, 73, 162, 34, 187, 66, 156, 172, 53, 186, 145, 139,  
180, 42,  
105, 178, 173, 48, 175, 168, 152, 69, 84, 68, 153, 154, 153, 139, 73, 75, 132, 34,  
173, 137,  
68, 68, 34, 146, 43, 81, 37, 193, 162, 68, 34, 0, 41, 132, 185, 180, 41, 193, 159, 172,  
238, 169, 169, 149, 155, 180, 169, 164, 69, 42, 149, 82, 36, 68, 155, 180, 148, 148,  
154, 155,  
146, 68, 154, 170, 175, 202, 153, 34, 89, 41, 156, 122, 74, 74, 99, 37, 146, 178, 75,  
185,  
153, 170, 163, 197, 185, 146, 34, 43, 180, 47, 165, 149, 148, 148, 68, 37, 148, 43,  
148, 101,  
53, 187, 178, 37, 36, 148, 0, 41, 148, 45, 174, 27, 155, 173, 201, 153, 148, 75, 36,  
73,  
153, 207, 164, 187, 75, 73, 73, 187, 155, 185, 155, 84, 187, 180, 178, 36, 146, 89,  
173, 124,  
176, 8, 184, 136, 8, 136, 176, 0, 128, 0, 11, 64, 8, 176, 136, 136, 171, 8, 72, 9,  
240, 8, 0, 0, 184, 64, 150, 176, 73, 136, 2, 43, 187, 184, 136, 128, 136, 136, 187, 0,  
11, 0, 176, 0, 4, 136, 128, 176, 4, 187, 170, 196, 9, 75, 9, 237, 144, 4, 0, 9,  
2, 136, 176, 8, 11, 8, 11, 37, 153, 136, 130, 144, 8, 11, 0, 174, 233, 128, 176, 176,  
149, 169, 170, 205, 238, 119, 237, 204, 169, 137, 152, 136, 185, 0, 68, 68, 4, 50, 42,  
168,  
185, 0, 11, 4, 184, 75, 0, 65, 11, 187, 139, 139, 137, 64, 128, 178, 153, 206, 155, 68,  
43, 132, 64, 155, 64, 176, 136, 32, 143, 155, 9, 18, 148, 153, 252, 249, 153, 185,  
144, 11,  
139, 36, 184, 136, 9, 144, 68, 66, 4, 137, 187, 73, 18, 66, 162, 36, 129, 169, 155,  
188,  
36, 18, 197, 41, 152, 137, 153, 21, 144, 66, 0, 164, 137, 41, 18, 185, 138, 155, 153,  
74,  
180, 11, 28, 170, 159, 83, 89, 146, 153, 21, 202, 173, 43, 180, 155, 73, 154, 34, 82,  
154,



68, 68, 68, 132, 132, 173, 196, 170, 33, 64, 36, 66, 11, 68, 42, 41, 11, 255, 173, 188,  
231, 202, 75, 153, 148, 153, 43, 180, 162, 75, 153, 66, 84, 73, 164, 180, 84, 169,  
169, 73,  
81, 68, 185, 92, 175, 201, 164, 185, 41, 146, 172, 85, 68, 76, 207, 101, 47, 169, 111,  
75,  
187, 187, 33, 91, 187, 148, 36, 68, 38, 87, 212, 178, 75, 155, 180, 146, 41, 155, 185,  
66,  
84, 148, 73, 34, 66, 50, 68, 91, 66, 145, 82, 178, 73, 170, 202, 149, 250, 170, 75, 75,  
153, 169, 155, 187, 185, 146, 36, 154, 73, 187, 155, 171, 11, 187, 73, 81, 242, 27,  
154, 202,  
8, 8, 136, 139, 4, 136, 0, 0, 40, 68, 10, 203, 11, 176, 185, 176, 32, 136, 79, 40,  
176, 136, 11, 176, 137, 0, 75, 75, 139, 128, 2, 43, 0, 4, 185, 176, 144, 144, 11, 75,  
128, 152, 8, 11, 0, 0, 0, 0, 11, 73, 155, 32, 0, 187, 146, 202, 132, 176, 75, 66,  
11, 139, 176, 0, 128, 11, 8, 152, 132, 185, 128, 8, 139, 11, 0, 191, 203, 176, 64, 187,  
153, 171, 170, 205, 222, 238, 239, 202, 169, 152, 153, 139, 187, 4, 82, 73, 180, 40,  
8, 75,  
8, 0, 0, 0, 11, 180, 148, 64, 137, 187, 148, 11, 187, 4, 176, 178, 148, 76, 41, 4,  
185, 153, 68, 137, 43, 73, 72, 0, 132, 75, 36, 34, 169, 137, 145, 171, 75, 82, 187, 2,  
128, 146, 144, 73, 153, 187, 187, 0, 5, 148, 68, 37, 47, 161, 100, 146, 191, 172, 192,  
66,  
2, 54, 210, 214, 73, 90, 84, 102, 169, 85, 75, 164, 153, 68, 164, 41, 187, 176, 68,  
146,  
34, 36, 130, 152, 154, 74, 178, 33, 42, 202, 90, 202, 161, 52, 130, 41, 22, 37, 21,  
164,  
36, 72, 66, 133, 162, 23, 210, 153, 180, 148, 34, 5, 152, 169, 180, 66, 36, 34, 68, 42,  
202, 98, 43, 74, 66, 180, 36, 185, 17, 43, 185, 178, 36, 69, 170, 155, 155, 41, 42,  
146,  
180, 34, 146, 66, 34, 155, 75, 185, 75, 153, 243, 34, 89, 153, 166, 36, 34, 155, 185,  
153,  
68, 155, 153, 153, 75, 188, 21, 74, 181, 41, 82, 41, 185, 43, 180, 41, 187, 185, 73,  
68,  
68, 153, 101, 34, 180, 91, 75, 187, 74, 178, 84, 186, 41, 153, 174, 250, 206, 236,  
153, 68,

85, 74, 148, 185, 187, 185, 68, 164, 148, 181, 171, 73, 171, 180, 84, 34, 73, 153,  
185, 153,  
0, 0, 139, 187, 139, 128, 136, 0, 8, 64, 186, 80, 11, 187, 187, 0, 11, 136, 0, 11,  
176, 128, 0, 8, 8, 184, 128, 176, 176, 139, 75, 0, 176, 11, 172, 187, 84, 0, 11, 75,  
155, 184, 137, 0, 8, 0, 0, 0, 160, 8, 144, 64, 0, 9, 201, 184, 184, 0, 187, 0,  
73, 139, 184, 176, 0, 34, 184, 136, 11, 136, 128, 0, 0, 0, 8, 9, 144, 68, 64, 176,  
68, 201, 154, 207, 253, 222, 220, 170, 170, 154, 140, 169, 155, 68, 68, 11, 128, 187,  
2, 152,  
144, 75, 64, 44, 40, 180, 187, 8, 187, 185, 144, 11, 178, 32, 187, 129, 64, 146, 2,  
187,  
177, 89, 8, 146, 152, 86, 169, 155, 0, 180, 154, 169, 26, 75, 187, 155, 64, 64, 36, 9,  
4, 209, 178, 153, 41, 101, 176, 64, 2, 180, 146, 37, 199, 218, 194, 75, 154, 42, 84,  
11,  
68, 85, 42, 34, 34, 2, 68, 34, 138, 89, 73, 184, 85, 130, 73, 75, 146, 196, 34, 162,  
101, 36, 73, 146, 154, 162, 41, 154, 172, 204, 170, 175, 209, 18, 154, 36, 181, 41,  
207, 89,  
82, 4, 152, 153, 66, 154, 193, 169, 90, 34, 66, 11, 195, 169, 41, 37, 43, 41, 178, 68,  
154, 101, 43, 73, 37, 43, 66, 68, 102, 84, 66, 34, 180, 153, 146, 155, 180, 41, 204,  
153,  
178, 18, 164, 146, 73, 73, 146, 153, 155, 185, 210, 68, 26, 153, 207, 34, 66, 82, 66,  
89,  
68, 187, 69, 148, 180, 74, 84, 149, 178, 79, 84, 75, 153, 43, 187, 68, 75, 185, 68,  
180,  
36, 153, 58, 146, 178, 18, 75, 43, 17, 180, 68, 41, 153, 153, 174, 249, 174, 218, 171,  
181,  
68, 155, 146, 185, 187, 155, 180, 178, 180, 187, 170, 185, 244, 185, 73, 155, 155,  
185, 187, 180,  
0, 8, 12, 100, 0, 8, 128, 176, 185, 187, 8, 152, 184, 132, 176, 8, 0, 0, 11, 11,  
176, 128, 0, 139, 137, 0, 154, 8, 128, 176, 0, 176, 11, 176, 139, 187, 11, 8, 137, 185,  
187, 186, 168, 139, 8, 128, 0, 11, 184, 144, 0, 0, 187, 72, 4, 8, 184, 11, 136, 187,  
11, 187, 0, 4, 182, 61, 68, 139, 139, 185, 144, 176, 0, 128, 8, 75, 5, 43, 176, 176,  
153, 213, 250, 172, 204, 255, 170, 170, 170, 153, 173, 216, 148, 4, 84, 44, 107, 64,  
161, 43,

136, 128, 36, 76, 59, 68, 187, 43, 176, 75, 187, 8, 178, 75, 129, 148, 75, 187, 0, 139,  
139, 40, 89, 85, 64, 28, 144, 153, 4, 36, 153, 42, 63, 34, 36, 146, 0, 187, 4, 73,  
68, 154, 148, 34, 43, 66, 180, 66, 66, 11, 156, 41, 174, 250, 66, 41, 154, 185, 68, 32,  
180, 68, 34, 169, 64, 37, 34, 41, 187, 34, 80, 153, 42, 154, 153, 187, 37, 114, 245,  
34,  
21, 20, 68, 34, 130, 156, 169, 92, 26, 170, 172, 175, 220, 41, 37, 34, 148, 10, 172,  
36,  
66, 73, 85, 169, 178, 154, 146, 41, 98, 69, 98, 36, 243, 169, 169, 154, 153, 246, 83,  
42,  
74, 80, 36, 169, 18, 146, 68, 169, 30, 36, 34, 73, 73, 187, 73, 75, 149, 194, 215, 148,  
68, 69, 89, 170, 73, 36, 68, 66, 41, 73, 242, 185, 43, 75, 73, 162, 153, 69, 187, 155,  
36, 187, 153, 43, 185, 69, 53, 66, 187, 185, 180, 187, 153, 155, 68, 187, 187, 187,  
155, 11,  
178, 73, 169, 146, 178, 181, 153, 155, 155, 181, 84, 73, 155, 41, 162, 148, 154, 204,  
203, 148,  
68, 187, 187, 187, 153, 155, 185, 153, 153, 180, 153, 75, 148, 26, 180, 73, 155, 180,  
148, 185,  
136, 128, 185, 144, 0, 128, 65, 171, 11, 8, 176, 176, 137, 0, 0, 176, 139, 152, 0, 176,  
0, 0, 128, 176, 184, 187, 205, 64, 0, 8, 187, 187, 187, 0, 74, 64, 176, 187, 9, 209,  
139, 184, 136, 187, 139, 0, 128, 2, 0, 0, 180, 8, 0, 187, 187, 128, 11, 0, 8, 185,  
187, 187, 0, 202, 34, 154, 9, 184, 11, 176, 176, 185, 153, 187, 144, 68, 69, 43, 184,  
176,  
187, 74, 60, 169, 170, 202, 170, 169, 152, 153, 167, 122, 168, 8, 68, 34, 169, 187,  
161, 148,  
0, 11, 184, 42, 203, 176, 187, 64, 68, 184, 187, 187, 146, 72, 79, 43, 73, 75, 0, 185,  
139, 66, 105, 98, 153, 185, 0, 75, 180, 8, 171, 47, 243, 210, 68, 43, 185, 43, 180, 69,  
40, 130, 75, 11, 65, 43, 187, 98, 82, 34, 68, 90, 197, 161, 82, 73, 170, 41, 180, 68,  
180, 148, 75, 148, 88, 44, 146, 34, 154, 181, 24, 139, 34, 185, 162, 185, 41, 68, 26,  
72,  
68, 43, 187, 185, 42, 154, 44, 90, 170, 170, 172, 204, 218, 172, 197, 165, 37, 73,  
162, 146,  
37, 84, 18, 130, 153, 85, 146, 36, 68, 70, 20, 37, 26, 152, 146, 40, 73, 165, 34, 66,  
69, 73, 36, 68, 66, 75, 187, 68, 82, 36, 148, 75, 154, 91, 43, 185, 36, 82, 255, 249,

187, 177, 82, 241, 165, 68, 146, 146, 43, 73, 37, 73, 73, 148, 180, 34, 185, 36, 89,  
36,  
180, 187, 180, 178, 155, 181, 113, 84, 155, 185, 187, 185, 245, 185, 146, 75, 75,  
187, 155, 187,  
146, 73, 153, 180, 75, 148, 146, 169, 153, 68, 75, 75, 187, 73, 34, 41, 154, 154, 171,  
144,  
75, 75, 187, 68, 154, 185, 174, 244, 185, 185, 181, 180, 68, 84, 73, 155, 153, 185,  
164, 73,  
128, 0, 132, 0, 0, 0, 65, 148, 132, 64, 176, 139, 176, 187, 139, 0, 8, 144, 0, 0,  
128, 136, 176, 176, 0, 0, 4, 75, 11, 0, 4, 178, 128, 128, 185, 176, 0, 128, 187, 239,  
75, 185, 136, 144, 0, 184, 0, 0, 180, 64, 176, 8, 176, 8, 187, 184, 0, 128, 8, 144,  
187, 136, 176, 153, 144, 136, 146, 4, 128, 0, 11, 0, 75, 185, 0, 11, 68, 185, 66, 184,  
176, 64, 153, 146, 154, 170, 169, 152, 137, 138, 175, 250, 168, 187, 187, 132, 176,  
0, 178, 36,  
176, 0, 11, 137, 72, 180, 203, 180, 64, 180, 64, 184, 96, 176, 182, 192, 185, 176,  
176, 180,  
187, 145, 41, 64, 146, 148, 75, 75, 68, 36, 11, 34, 42, 170, 36, 180, 176, 187, 184,  
148,  
68, 4, 187, 68, 178, 180, 75, 169, 250, 130, 156, 188, 223, 41, 9, 165, 250, 155, 178,  
0,  
75, 146, 43, 74, 138, 146, 82, 79, 26, 180, 146, 146, 34, 66, 136, 166, 42, 69, 227,  
149,  
34, 201, 146, 166, 42, 154, 44, 170, 170, 170, 172, 202, 250, 172, 197, 165, 42, 91,  
170, 68,  
33, 20, 73, 153, 34, 34, 33, 36, 66, 97, 164, 5, 21, 36, 68, 5, 73, 152, 132, 68,  
84, 90, 155, 11, 187, 169, 187, 68, 162, 36, 146, 146, 34, 149, 18, 68, 34, 66, 173,  
226,  
66, 34, 69, 172, 54, 36, 82, 149, 34, 41, 89, 82, 82, 41, 34, 84, 178, 42, 41, 187,  
149, 36, 68, 148, 43, 69, 18, 73, 34, 153, 155, 155, 154, 37, 17, 73, 75, 153, 153,  
155,  
155, 74, 175, 148, 75, 73, 155, 153, 187, 36, 187, 180, 187, 185, 153, 36, 153, 144,  
187, 155,

43, 153, 68, 85, 66, 0, 173, 249, 146, 164, 154, 155, 186, 162, 75, 187, 187, 153,  
171, 187,  
128, 137, 8, 0, 9, 8, 184, 136, 176, 8, 9, 64, 0, 0, 176, 8, 8, 4, 0, 128,  
8, 136, 144, 136, 153, 176, 187, 0, 139, 8, 145, 180, 152, 128, 136, 176, 9, 180, 11,  
171,  
184, 184, 152, 8, 4, 176, 0, 184, 139, 0, 132, 72, 187, 68, 0, 8, 0, 0, 153, 162,  
184, 11, 0, 66, 128, 139, 220, 64, 184, 11, 176, 176, 75, 163, 0, 0, 75, 9, 184, 176,  
180, 187, 73, 37, 41, 152, 152, 136, 137, 153, 154, 170, 153, 75, 43, 197, 136, 32,  
136, 34,  
11, 10, 171, 178, 75, 12, 251, 0, 75, 180, 128, 184, 155, 64, 73, 176, 187, 43, 137, 0,  
157, 164, 32, 75, 149, 34, 64, 0, 84, 84, 153, 146, 153, 170, 82, 187, 176, 73, 178,  
154,  
98, 11, 146, 41, 146, 69, 155, 41, 164, 41, 178, 173, 125, 169, 178, 28, 125, 73, 148,  
186,  
36, 68, 75, 68, 180, 152, 149, 73, 40, 194, 68, 44, 208, 36, 132, 186, 41, 34, 253,  
213,  
36, 187, 153, 165, 90, 168, 170, 172, 207, 202, 202, 170, 170, 170, 153, 149, 95,  
217, 147, 68,  
2, 66, 251, 82, 178, 18, 162, 85, 34, 85, 84, 130, 36, 21, 68, 37, 0, 146, 132, 68,  
68, 153, 176, 75, 74, 101, 79, 53, 236, 37, 221, 169, 84, 148, 84, 34, 36, 69, 85, 84,  
34, 146, 42, 156, 119, 34, 42, 174, 60, 84, 66, 162, 82, 34, 36, 66, 146, 166, 41, 185,  
66, 34, 36, 188, 27, 75, 155, 180, 187, 154, 164, 185, 73, 44, 127, 153, 75, 75, 185,  
155,  
180, 156, 45, 43, 155, 187, 187, 187, 73, 43, 75, 146, 169, 41, 155, 73, 155, 187,  
155, 185,  
27, 178, 43, 68, 36, 180, 41, 153, 178, 68, 75, 155, 180, 20, 74, 187, 180, 154, 155,  
187,  
64, 139, 128, 8, 128, 0, 176, 187, 4, 176, 176, 153, 4, 11, 128, 176, 132, 32, 139,  
128,  
184, 136, 136, 136, 41, 144, 128, 184, 169, 9, 176, 128, 136, 128, 0, 11, 73, 0, 11,  
176,  
11, 8, 4, 0, 0, 11, 8, 136, 8, 176, 4, 0, 176, 144, 0, 8, 128, 0, 11, 155,  
184, 187, 8, 40, 4, 0, 0, 4, 220, 184, 176, 64, 152, 170, 11, 0, 11, 75, 187, 40,

0, 68, 184, 132, 136, 180, 153, 137, 155, 139, 137, 136, 154, 176, 136, 17, 187, 36,  
148, 138,  
72, 186, 171, 34, 36, 45, 244, 2, 11, 153, 148, 176, 4, 132, 68, 4, 187, 4, 187, 128,  
138, 184, 64, 11, 35, 50, 0, 11, 75, 36, 33, 42, 137, 146, 34, 64, 187, 75, 68, 41,  
73, 187, 74, 4, 147, 149, 73, 22, 197, 187, 41, 47, 237, 242, 188, 99, 98, 73, 154,  
180,  
68, 164, 186, 4, 68, 72, 43, 73, 155, 66, 153, 42, 84, 201, 164, 66, 32, 34, 173, 58,  
41, 168, 156, 34, 169, 170, 204, 207, 204, 204, 204, 204, 170, 202, 170, 136, 154,  
89, 153, 4,  
64, 130, 40, 148, 68, 82, 81, 101, 37, 81, 90, 169, 34, 37, 68, 68, 180, 170, 73, 36,  
66, 68, 176, 11, 146, 82, 186, 37, 97, 82, 254, 84, 155, 36, 146, 34, 148, 70, 105, 68,  
33, 98, 185, 149, 21, 68, 42, 163, 18, 66, 165, 145, 18, 68, 34, 86, 18, 42, 41, 74,  
180, 187, 154, 73, 171, 41, 155, 180, 185, 42, 25, 187, 153, 159, 125, 202, 187, 155,  
188, 20,  
187, 155, 178, 68, 155, 68, 185, 73, 68, 74, 66, 185, 164, 185, 185, 155, 180, 153,  
144, 187,  
187, 73, 43, 187, 82, 0, 185, 156, 152, 176, 176, 176, 180, 180, 75, 185, 34, 75, 181,  
187,  
144, 132, 144, 8, 0, 8, 8, 128, 132, 64, 11, 0, 128, 75, 8, 184, 192, 184, 75, 8,  
128, 136, 128, 128, 178, 36, 8, 137, 136, 136, 8, 0, 176, 176, 136, 153, 104, 4, 2, 0,  
176, 0, 8, 0, 0, 128, 136, 136, 184, 0, 4, 64, 8, 75, 8, 11, 136, 0, 0, 8,  
128, 184, 12, 121, 139, 136, 132, 176, 176, 73, 4, 187, 72, 187, 64, 64, 128, 154, 68,  
132,  
11, 0, 75, 153, 180, 75, 72, 152, 164, 0, 4, 91, 206, 27, 2, 66, 187, 136, 0, 75,  
132, 9, 148, 187, 176, 11, 164, 73, 152, 83, 36, 84, 64, 148, 187, 187, 178, 43, 137,  
136,  
137, 137, 75, 180, 69, 84, 176, 184, 245, 4, 153, 68, 178, 34, 184, 136, 75, 4, 155,  
176,  
139, 75, 176, 4, 178, 154, 66, 68, 89, 75, 41, 172, 170, 33, 162, 149, 66, 153, 138,  
33,  
241, 153, 69, 5, 32, 4, 34, 171, 168, 148, 128, 153, 176, 66, 101, 66, 34, 8, 154, 90,  
154, 153, 166, 146, 156, 252, 254, 207, 207, 207, 204, 204, 204, 170, 169, 170, 153,  
73, 169, 137,

73, 169, 34, 153, 180, 4, 195, 229, 74, 193, 169, 180, 32, 83, 36, 64, 36, 75, 157,  
218,  
148, 11, 68, 180, 186, 101, 180, 69, 97, 73, 197, 89, 164, 66, 34, 43, 73, 42, 41, 36,  
175, 210, 69, 163, 98, 164, 66, 156, 162, 36, 66, 34, 36, 154, 69, 82, 43, 185, 155,  
37,  
148, 43, 66, 148, 155, 41, 153, 155, 187, 146, 21, 187, 180, 42, 214, 171, 185, 27,  
37, 203,  
187, 187, 187, 187, 68, 43, 178, 187, 43, 146, 153, 73, 155, 153, 66, 36, 41, 187,  
186, 186,  
36, 153, 43, 187, 166, 137, 153, 191, 170, 153, 187, 75, 75, 37, 32, 186, 187, 185,  
153, 187,  
136, 8, 11, 136, 9, 8, 150, 144, 0, 184, 136, 11, 8, 34, 148, 132, 0, 176, 187, 11,  
128, 136, 8, 0, 187, 144, 0, 185, 136, 152, 136, 75, 64, 11, 11, 11, 72, 0, 0, 8,  
0, 0, 11, 176, 0, 11, 136, 64, 176, 0, 64, 8, 184, 137, 128, 0, 0, 128, 0, 11,  
144, 136, 137, 41, 178, 128, 132, 9, 176, 128, 11, 152, 150, 144, 75, 8, 0, 137, 139,  
11,  
128, 4, 136, 8, 184, 4, 34, 184, 66, 75, 187, 74, 149, 187, 64, 4, 11, 137, 180, 164,  
146, 8, 139, 66, 36, 10, 154, 25, 176, 154, 43, 0, 0, 148, 73, 75, 73, 185, 170, 43,  
72, 75, 187, 155, 132, 68, 187, 178, 63, 132, 41, 187, 11, 146, 169, 153, 187, 180,  
187, 64,  
64, 180, 187, 11, 188, 68, 68, 148, 65, 84, 0, 37, 153, 145, 169, 169, 4, 172, 185,  
172,  
34, 239, 176, 43, 68, 41, 37, 121, 146, 149, 82, 82, 82, 73, 34, 66, 20, 9, 156, 34,  
169, 153, 153, 162, 154, 204, 253, 223, 255, 255, 255, 252, 252, 204, 170, 153, 153,  
169, 152, 180,  
170, 170, 165, 2, 154, 162, 133, 84, 34, 42, 34, 73, 98, 19, 36, 73, 20, 34, 45, 49,  
111, 41, 66, 41, 180, 34, 82, 66, 34, 165, 149, 154, 21, 91, 180, 73, 75, 21, 164, 66,  
187, 75, 155, 47, 194, 66, 172, 37, 38, 37, 37, 37, 82, 37, 66, 82, 187, 187, 75, 146,  
66, 148, 149, 43, 43, 170, 73, 153, 66, 167, 36, 66, 153, 74, 169, 91, 178, 36, 36,  
187,  
11, 75, 171, 178, 36, 84, 73, 155, 75, 180, 153, 79, 25, 145, 180, 180, 74, 187, 180,  
154,  
171, 187, 185, 187, 153, 153, 185, 4, 252, 187, 75, 4, 8, 77, 89, 176, 10, 153, 73, 0,

144, 0, 128, 128, 137, 136, 130, 148, 11, 11, 152, 11, 153, 199, 220, 136, 184, 0, 8,  
187,  
0, 9, 144, 128, 187, 0, 137, 72, 8, 137, 136, 133, 64, 6, 144, 128, 187, 0, 0, 0,  
128, 0, 8, 139, 8, 176, 139, 128, 184, 8, 68, 176, 0, 176, 152, 0, 0, 68, 155, 0,  
11, 187, 0, 2, 13, 32, 128, 8, 155, 68, 176, 176, 157, 203, 0, 73, 0, 139, 11, 184,  
11, 8, 11, 0, 187, 2, 130, 75, 68, 43, 187, 154, 185, 152, 176, 11, 187, 180, 187, 21,  
4, 148, 187, 139, 66, 46, 218, 207, 36, 4, 43, 180, 155, 4, 11, 187, 155, 154, 179,  
196,  
153, 144, 73, 138, 72, 64, 139, 153, 249, 178, 72, 32, 139, 73, 68, 185, 148, 75, 38,  
36,  
68, 75, 164, 147, 164, 36, 64, 184, 66, 64, 0, 68, 149, 169, 153, 146, 146, 153, 153,  
153,  
170, 237, 139, 38, 82, 82, 75, 82, 43, 34, 30, 82, 82, 34, 36, 75, 82, 41, 173, 223,  
90, 170, 106, 60, 42, 172, 204, 255, 255, 221, 223, 255, 204, 202, 202, 170, 169,  
171, 73, 73,  
44, 119, 253, 204, 169, 89, 155, 69, 26, 155, 180, 73, 85, 66, 34, 73, 68, 185, 42,  
153,  
175, 53, 164, 178, 66, 84, 85, 36, 162, 38, 153, 146, 51, 82, 180, 155, 148, 42, 85,  
36,  
73, 68, 185, 68, 170, 162, 37, 149, 164, 146, 66, 85, 82, 66, 34, 86, 42, 187, 180,  
145,  
41, 201, 154, 187, 74, 234, 201, 66, 180, 149, 187, 187, 154, 169, 178, 164, 36, 36,  
187, 187,  
34, 178, 75, 178, 180, 214, 75, 187, 153, 178, 73, 10, 21, 185, 84, 36, 155, 187, 43,  
73,  
155, 146, 75, 43, 175, 221, 75, 155, 144, 185, 186, 149, 148, 66, 187, 153, 185, 148,  
73, 185,  
155, 187, 136, 0, 136, 0, 176, 0, 73, 176, 128, 139, 136, 174, 218, 136, 128, 11, 8, 0,  
0, 9, 139, 184, 0, 139, 144, 75, 187, 152, 152, 128, 0, 148, 152, 148, 176, 9, 0, 0,  
8, 144, 0, 136, 11, 128, 0, 11, 11, 136, 176, 187, 176, 11, 11, 8, 0, 4, 4, 64,  
0, 176, 176, 4, 184, 0, 0, 128, 64, 185, 72, 155, 75, 144, 11, 11, 41, 139, 0, 176,  
187, 136, 132, 75, 176, 9, 137, 148, 2, 68, 185, 41, 168, 137, 184, 32, 178, 184, 11,  
132,



84, 75, 73, 139, 68, 206, 233, 158, 27, 75, 139, 155, 176, 180, 11, 178, 27, 137, 146,  
73,  
11, 75, 36, 137, 196, 68, 66, 73, 73, 178, 28, 155, 180, 185, 36, 185, 254, 36, 86, 27,  
36, 74, 58, 156, 148, 36, 68, 36, 187, 75, 187, 82, 170, 152, 155, 153, 36, 175, 34,  
153,  
250, 169, 34, 173, 20, 34, 187, 176, 73, 4, 161, 84, 36, 40, 66, 73, 36, 146, 205, 126,  
170, 41, 170, 90, 194, 172, 204, 205, 253, 237, 223, 255, 204, 202, 170, 169, 153,  
185, 68, 180,  
170, 221, 193, 193, 162, 153, 137, 74, 105, 169, 66, 2, 82, 69, 68, 72, 0, 139, 153,  
41,  
150, 98, 187, 146, 163, 34, 68, 37, 165, 185, 66, 66, 17, 36, 171, 153, 66, 246, 36,  
37,  
66, 68, 68, 146, 164, 100, 66, 170, 170, 42, 148, 69, 21, 93, 90, 23, 41, 165, 185, 37,  
42, 237, 155, 75, 66, 100, 42, 66, 180, 187, 73, 187, 73, 43, 180, 37, 42, 41, 187,  
180,  
21, 185, 187, 187, 153, 34, 43, 191, 249, 146, 187, 180, 155, 180, 89, 75, 185, 187,  
169, 146,  
153, 150, 43, 69, 92, 252, 148, 155, 128, 184, 187, 69, 171, 68, 185, 73, 146, 180,  
187, 66,  
8, 128, 8, 128, 0, 8, 8, 136, 144, 187, 11, 184, 153, 172, 169, 171, 4, 139, 0, 8,  
0, 75, 128, 72, 11, 176, 11, 128, 187, 136, 152, 128, 74, 105, 128, 187, 176, 0, 0, 11,  
180, 128, 72, 139, 187, 0, 8, 128, 0, 128, 8, 185, 136, 176, 8, 0, 132, 139, 4, 75,  
139, 0, 0, 4, 184, 75, 139, 0, 8, 207, 153, 136, 75, 187, 139, 132, 20, 181, 33, 160,  
176, 64, 187, 176, 0, 11, 184, 155, 180, 68, 152, 153, 148, 68, 139, 162, 32, 11, 187,  
0,  
68, 180, 50, 42, 153, 9, 137, 165, 155, 75, 187, 187, 0, 180, 4, 188, 250, 9, 128, 180,  
64, 66, 36, 4, 155, 130, 36, 155, 9, 244, 41, 137, 4, 176, 36, 178, 253, 36, 68, 146,  
34, 198, 153, 185, 43, 66, 72, 180, 66, 187, 75, 68, 168, 4, 34, 68, 150, 30, 82, 154,  
250, 178, 162, 148, 162, 37, 185, 185, 155, 75, 43, 66, 36, 73, 146, 153, 178, 44,  
221, 125,  
202, 170, 90, 162, 105, 172, 202, 207, 253, 221, 255, 252, 204, 204, 202, 154, 153,  
178, 73, 156,

100, 172, 168, 181, 34, 153, 155, 186, 154, 42, 146, 149, 20, 90, 34, 11, 75, 139, 36,  
73,  
82, 68, 68, 73, 146, 73, 33, 106, 164, 73, 84, 75, 38, 81, 43, 153, 153, 54, 43, 69,  
34, 153, 73, 162, 25, 34, 68, 175, 213, 41, 34, 87, 49, 247, 210, 85, 34, 36, 155, 148,  
73, 202, 68, 185, 35, 194, 145, 37, 82, 155, 34, 187, 73, 68, 187, 198, 194, 34, 187,  
170,  
28, 180, 155, 182, 201, 68, 187, 186, 169, 18, 187, 75, 176, 178, 57, 178, 205, 185,  
155, 164,  
75, 154, 196, 73, 187, 154, 153, 154, 82, 155, 187, 180, 105, 185, 153, 2, 36, 75,  
187, 180,  
0, 0, 0, 144, 8, 0, 136, 187, 0, 11, 0, 0, 152, 185, 136, 249, 136, 176, 139, 0,  
137, 0, 139, 0, 0, 160, 176, 139, 176, 136, 155, 68, 32, 88, 139, 0, 176, 8, 0, 139,  
155, 132, 176, 176, 176, 0, 73, 4, 176, 0, 4, 41, 185, 136, 176, 128, 0, 171, 0, 180,  
11, 8, 128, 176, 11, 0, 0, 11, 137, 231, 168, 137, 176, 128, 139, 8, 68, 178, 37, 43,  
139, 128, 187, 176, 64, 187, 4, 136, 178, 169, 153, 137, 136, 165, 130, 21, 64, 9,  
185, 128,  
64, 137, 202, 137, 169, 75, 146, 11, 185, 187, 0, 75, 185, 176, 73, 9, 153, 152, 128,  
68,  
180, 129, 108, 98, 187, 10, 34, 187, 186, 229, 75, 152, 72, 176, 149, 161, 153, 172,  
17, 206,  
20, 17, 136, 73, 41, 132, 153, 187, 75, 68, 155, 73, 21, 68, 130, 42, 34, 95, 41, 197,  
91, 185, 178, 41, 173, 202, 149, 34, 32, 153, 16, 34, 34, 169, 153, 130, 154, 42, 31,  
202,  
162, 146, 252, 98, 42, 170, 204, 204, 207, 255, 255, 252, 170, 204, 218, 252, 153,  
37, 144, 149,  
18, 42, 146, 176, 82, 186, 36, 146, 172, 170, 162, 42, 84, 73, 148, 153, 34, 132, 9,  
73,  
34, 75, 43, 68, 34, 73, 161, 25, 187, 178, 37, 34, 34, 21, 41, 146, 69, 194, 68, 155,  
34, 34, 146, 202, 74, 154, 41, 173, 229, 170, 34, 35, 53, 166, 34, 153, 33, 34, 75, 43,  
186, 98, 43, 180, 185, 154, 34, 66, 37, 92, 155, 146, 187, 75, 162, 42, 148, 148, 185,  
229,  
41, 180, 145, 70, 241, 73, 73, 185, 154, 68, 68, 153, 187, 178, 242, 185, 243, 89,  
155, 185,

75, 185, 75, 153, 185, 153, 146, 156, 249, 180, 180, 73, 171, 153, 178, 170, 21, 36,  
187, 187,  
4, 0, 176, 0, 0, 8, 0, 128, 128, 176, 136, 64, 152, 8, 136, 0, 136, 0, 184, 0,  
148, 11, 0, 128, 128, 32, 136, 64, 0, 128, 144, 155, 68, 184, 0, 0, 8, 133, 9, 159,  
208, 155, 128, 8, 0, 0, 0, 191, 32, 0, 9, 73, 8, 176, 176, 136, 64, 32, 8, 136,  
148, 4, 11, 0, 0, 176, 0, 139, 9, 255, 201, 139, 187, 136, 176, 187, 9, 0, 68, 187,  
176, 185, 72, 187, 139, 75, 155, 153, 153, 154, 204, 202, 170, 137, 128, 85, 4, 0,  
136, 176,  
155, 139, 153, 170, 152, 89, 4, 75, 187, 68, 184, 187, 187, 186, 107, 8, 169, 37, 24,  
4,  
66, 34, 89, 246, 68, 184, 194, 176, 9, 37, 152, 187, 68, 75, 36, 146, 41, 35, 53, 247,  
18, 17, 38, 42, 201, 187, 75, 184, 139, 68, 79, 18, 194, 75, 74, 86, 162, 34, 84, 245,  
185, 184, 180, 170, 166, 201, 74, 101, 64, 75, 66, 75, 207, 196, 162, 184, 37, 170,  
249, 170,  
170, 41, 162, 33, 89, 170, 204, 252, 204, 255, 204, 204, 170, 204, 170, 202, 159, 27,  
68, 66,  
66, 170, 137, 9, 81, 105, 154, 172, 215, 218, 164, 42, 161, 68, 154, 34, 32, 148, 36,  
132,  
146, 68, 34, 68, 68, 42, 246, 36, 155, 156, 164, 68, 68, 162, 34, 73, 146, 193, 146,  
155,  
185, 154, 153, 74, 75, 185, 41, 41, 166, 29, 18, 149, 82, 41, 170, 34, 149, 229, 73,  
89,  
186, 194, 75, 187, 187, 75, 153, 34, 45, 245, 155, 146, 180, 180, 207, 169, 155, 43,  
185, 169,  
146, 180, 149, 73, 17, 41, 41, 154, 41, 68, 68, 89, 187, 178, 146, 65, 41, 153, 187,  
42,  
75, 73, 155, 75, 180, 155, 161, 41, 153, 187, 148, 73, 20, 155, 186, 110, 122, 41,  
155, 187,  
0, 2, 0, 0, 11, 0, 136, 128, 8, 139, 8, 155, 68, 168, 176, 128, 68, 11, 144, 11,  
0, 144, 128, 128, 11, 40, 176, 0, 4, 176, 155, 11, 4, 128, 11, 136, 176, 0, 8, 74,  
164, 2, 0, 8, 187, 4, 155, 4, 184, 11, 128, 128, 0, 0, 0, 144, 128, 8, 11, 0,  
160, 0, 0, 11, 128, 4, 0, 137, 8, 170, 168, 137, 171, 187, 137, 184, 136, 176, 36, 64,

128, 64, 68, 128, 75, 187, 128, 187, 8, 156, 254, 237, 252, 201, 178, 68, 0, 0, 136,  
187,  
75, 0, 74, 170, 137, 180, 187, 68, 144, 146, 73, 164, 75, 184, 187, 139, 178, 68, 36,  
41,  
37, 10, 138, 64, 68, 153, 148, 176, 184, 70, 171, 69, 98, 68, 180, 20, 180, 69, 84, 69,  
36, 70, 162, 45, 116, 66, 42, 43, 68, 184, 137, 68, 68, 146, 43, 146, 32, 42, 69, 194,  
73, 155, 66, 42, 243, 42, 74, 82, 36, 169, 34, 162, 170, 197, 213, 34, 154, 154, 169,  
170,  
154, 76, 82, 165, 170, 172, 202, 204, 204, 207, 204, 202, 205, 170, 202, 201, 154,  
41, 180, 176,  
66, 64, 152, 68, 172, 220, 175, 255, 231, 236, 155, 37, 146, 66, 175, 212, 84, 36, 68,  
186,  
146, 66, 170, 36, 11, 37, 10, 84, 9, 18, 34, 36, 73, 246, 18, 187, 38, 89, 153, 153,  
66, 178, 66, 66, 154, 154, 41, 41, 35, 53, 75, 69, 170, 245, 34, 194, 73, 245, 173,  
233,  
153, 36, 68, 146, 74, 153, 148, 37, 163, 201, 73, 153, 66, 146, 155, 153, 148, 73,  
185, 66,  
17, 165, 180, 36, 34, 43, 43, 37, 155, 148, 146, 180, 187, 147, 171, 159, 41, 185,  
153, 154,  
155, 185, 75, 75, 180, 75, 68, 41, 187, 68, 66, 73, 144, 187, 4, 102, 34, 66, 75, 185,  
136, 64, 68, 0, 176, 0, 139, 68, 180, 136, 137, 0, 184, 155, 136, 0, 9, 176, 139, 0,  
0, 0, 0, 0, 8, 152, 187, 184, 68, 8, 176, 176, 0, 11, 0, 73, 184, 0, 139, 176,  
11, 0, 64, 154, 153, 9, 128, 128, 128, 0, 8, 8, 11, 8, 11, 0, 136, 8, 128, 152,  
136, 0, 11, 11, 128, 68, 0, 148, 8, 137, 136, 155, 136, 0, 187, 72, 144, 4, 8, 176,  
0, 72, 66, 65, 137, 139, 185, 155, 64, 138, 207, 221, 204, 169, 152, 0, 176, 11, 0,  
178,  
152, 153, 138, 154, 136, 185, 43, 75, 75, 152, 252, 139, 184, 40, 0, 132, 34, 199,  
176, 49,  
148, 188, 133, 204, 75, 34, 86, 187, 132, 68, 75, 187, 36, 69, 187, 37, 4, 180, 180,  
34,  
36, 148, 66, 172, 66, 254, 91, 184, 66, 139, 66, 170, 43, 185, 0, 185, 187, 170, 37,  
90,

75, 66, 73, 172, 119, 89, 42, 200, 75, 184, 76, 113, 170, 162, 154, 137, 159, 83, 148,  
169,  
162, 156, 204, 90, 172, 172, 204, 204, 204, 204, 204, 170, 253, 202, 170, 218, 169,  
185, 155, 4,  
32, 188, 128, 34, 34, 161, 149, 207, 222, 252, 171, 153, 85, 73, 185, 68, 8, 9, 0, 185,  
68, 36, 185, 153, 68, 41, 153, 84, 68, 21, 36, 82, 9, 69, 89, 153, 65, 108, 161, 201,  
164, 187, 73, 68, 43, 44, 107, 153, 149, 34, 146, 180, 159, 229, 65, 81, 185, 146,  
159, 241,  
171, 149, 159, 153, 148, 74, 146, 75, 73, 164, 153, 73, 186, 41, 160, 187, 155, 187,  
185, 132,  
153, 69, 180, 185, 68, 155, 148, 178, 25, 187, 66, 68, 75, 156, 153, 73, 41, 81, 153,  
162,  
185, 187, 185, 155, 186, 153, 155, 187, 185, 91, 69, 32, 176, 75, 185, 185, 162, 84,  
153, 169,  
0, 0, 153, 8, 0, 8, 8, 139, 11, 136, 8, 153, 187, 9, 176, 0, 176, 0, 8, 11,  
0, 136, 0, 0, 136, 136, 176, 136, 0, 8, 11, 128, 9, 180, 0, 0, 144, 153, 240, 8,  
187, 11, 176, 180, 0, 136, 185, 2, 128, 9, 9, 8, 64, 136, 187, 8, 8, 137, 72, 8,  
0, 0, 0, 0, 180, 0, 8, 176, 153, 40, 137, 249, 178, 9, 155, 0, 139, 0, 73, 187,  
11, 155, 191, 122, 128, 0, 176, 139, 4, 185, 138, 172, 202, 153, 137, 176, 64, 73,  
176, 154,  
220, 153, 138, 152, 146, 27, 130, 154, 68, 75, 146, 148, 180, 176, 4, 149, 38, 82, 76,  
43,  
65, 11, 137, 255, 171, 2, 95, 148, 43, 11, 187, 72, 33, 64, 187, 68, 75, 73, 152, 76,  
75, 178, 36, 44, 162, 172, 43, 75, 75, 178, 192, 176, 41, 137, 180, 41, 4, 42, 207,  
126,  
89, 43, 181, 173, 61, 194, 169, 89, 11, 8, 156, 60, 169, 249, 149, 90, 175, 82, 146,  
172,  
124, 41, 164, 153, 252, 255, 202, 170, 204, 204, 206, 252, 170, 170, 202, 169, 154,  
170, 187, 146,  
66, 140, 98, 37, 146, 206, 42, 156, 252, 170, 41, 73, 162, 155, 68, 34, 68, 73, 178,  
37,  
195, 20, 75, 36, 146, 41, 203, 84, 2, 69, 82, 68, 69, 73, 185, 146, 42, 26, 247, 98,

146, 82, 178, 169, 73, 181, 84, 146, 43, 69, 251, 153, 74, 102, 85, 34, 34, 36, 172,  
146,  
165, 82, 185, 155, 155, 185, 41, 73, 178, 153, 43, 185, 84, 32, 187, 185, 155, 180,  
187, 185,  
162, 185, 34, 153, 185, 185, 185, 154, 201, 153, 155, 153, 185, 154, 182, 41, 165,  
42, 187, 187,  
185, 75, 73, 154, 155, 82, 155, 75, 187, 187, 187, 74, 180, 153, 187, 75, 101, 68, 73,  
148,  
128, 8, 8, 128, 8, 0, 0, 128, 11, 139, 0, 0, 9, 0, 187, 4, 0, 0, 128, 8,  
136, 139, 0, 8, 128, 0, 11, 8, 144, 8, 0, 8, 9, 176, 0, 8, 0, 9, 84, 194,  
130, 11, 4, 144, 139, 0, 187, 144, 0, 32, 154, 139, 75, 187, 139, 0, 137, 128, 139, 0,  
0, 8, 176, 139, 0, 0, 0, 136, 154, 240, 176, 187, 72, 128, 36, 176, 68, 0, 176, 0,  
139, 0, 186, 249, 153, 164, 64, 162, 0, 8, 186, 170, 168, 168, 152, 139, 148, 185,  
187, 159,  
127, 168, 153, 137, 185, 153, 146, 170, 148, 75, 155, 68, 187, 0, 72, 66, 4, 34, 177,  
168,  
148, 185, 187, 128, 66, 64, 138, 201, 171, 73, 155, 155, 162, 68, 0, 9, 68, 180, 73,  
181,  
153, 154, 43, 187, 148, 41, 66, 34, 187, 178, 64, 178, 114, 146, 185, 37, 66, 41, 166,  
237,  
41, 162, 69, 76, 84, 82, 34, 75, 75, 146, 44, 154, 153, 138, 137, 38, 54, 74, 162, 156,  
230, 41, 37, 169, 154, 156, 236, 204, 172, 202, 207, 202, 172, 170, 127, 169, 154,  
85, 75, 170,  
34, 65, 37, 34, 153, 161, 82, 149, 113, 74, 162, 148, 84, 68, 180, 146, 148, 11, 153,  
69,  
81, 84, 65, 162, 0, 154, 26, 169, 68, 37, 34, 84, 73, 153, 187, 153, 164, 82, 30, 18,  
155, 187, 170, 68, 66, 89, 180, 75, 36, 191, 82, 165, 18, 85, 34, 36, 153, 68, 146, 68,  
162, 146, 69, 187, 178, 75, 178, 155, 66, 178, 145, 153, 180, 155, 90, 42, 148, 187,  
187, 178,  
69, 43, 155, 33, 41, 153, 185, 75, 43, 73, 153, 153, 177, 18, 149, 37, 75, 66, 187,  
148,  
185, 148, 75, 89, 43, 197, 153, 68, 187, 185, 155, 76, 155, 153, 185, 185, 82, 68, 73,  
178,

128, 0, 0, 136, 0, 136, 128, 0, 8, 0, 8, 4, 64, 144, 176, 11, 176, 8, 11, 11,  
0, 128, 128, 128, 11, 11, 64, 0, 0, 11, 176, 8, 72, 11, 139, 132, 152, 128, 144, 252,  
180, 128, 11, 0, 176, 0, 11, 128, 0, 184, 148, 139, 2, 155, 146, 11, 4, 176, 11, 128,  
8, 184, 0, 180, 2, 0, 72, 128, 139, 64, 11, 184, 139, 187, 0, 0, 11, 0, 64, 176,  
0, 0, 2, 152, 189, 251, 0, 201, 64, 176, 184, 152, 130, 153, 152, 187, 185, 137, 139,  
74,  
250, 136, 187, 139, 187, 73, 146, 170, 40, 176, 185, 148, 187, 9, 32, 9, 184, 66, 137,  
73,  
136, 153, 32, 176, 185, 0, 184, 72, 139, 74, 136, 73, 187, 67, 146, 139, 184, 11, 185,  
43,  
136, 153, 152, 2, 180, 73, 68, 26, 184, 34, 153, 66, 89, 43, 153, 34, 84, 185, 66, 193,  
42, 111, 36, 68, 164, 41, 43, 85, 170, 154, 197, 43, 185, 34, 73, 180, 37, 85, 34, 36,  
36, 146, 37, 202, 163, 93, 60, 204, 172, 175, 218, 175, 220, 170, 202, 170, 153, 146,  
68, 9,  
69, 69, 37, 111, 43, 73, 165, 154, 85, 42, 81, 162, 75, 41, 37, 156, 68, 4, 9, 180,  
34, 84, 1, 82, 68, 152, 149, 25, 68, 155, 144, 146, 222, 170, 153, 156, 100, 41, 162,  
41,  
155, 187, 85, 36, 89, 34, 66, 89, 169, 187, 66, 97, 85, 36, 34, 91, 153, 169, 68, 187,  
153, 69, 171, 187, 180, 180, 73, 180, 41, 185, 173, 34, 187, 153, 186, 149, 53, 180,  
155, 180,  
68, 187, 162, 167, 92, 82, 66, 41, 75, 42, 154, 153, 153, 85, 33, 17, 89, 73, 181, 34,  
187, 187, 82, 105, 154, 245, 37, 75, 42, 91, 146, 41, 169, 255, 155, 187, 11, 155, 75,  
148,  
0, 11, 8, 0, 0, 139, 0, 0, 128, 0, 128, 0, 0, 176, 8, 73, 0, 11, 0, 187,  
0, 0, 8, 187, 84, 176, 8, 136, 11, 0, 0, 0, 187, 128, 187, 185, 73, 185, 32, 176,  
11, 0, 8, 176, 11, 0, 0, 128, 139, 11, 132, 184, 187, 41, 43, 3, 11, 8, 128, 136,  
4, 8, 8, 9, 74, 128, 184, 144, 11, 8, 128, 9, 136, 0, 4, 66, 128, 4, 11, 187,  
187, 139, 66, 155, 1, 160, 0, 75, 176, 176, 11, 139, 136, 136, 194, 11, 0, 184, 136,  
153,  
137, 139, 9, 196, 185, 172, 202, 204, 171, 0, 155, 187, 155, 11, 187, 132, 187, 137,  
184, 187,  
187, 154, 36, 184, 180, 148, 187, 187, 187, 184, 132, 75, 75, 73, 144, 73, 130, 180,  
2, 75,

68, 149, 89, 178, 68, 45, 100, 106, 28, 51, 88, 66, 34, 43, 187, 152, 34, 152, 156,  
198,  
153, 241, 37, 66, 66, 178, 148, 36, 153, 169, 181, 36, 149, 159, 41, 42, 74, 230, 68,  
34,  
34, 68, 130, 82, 163, 81, 204, 202, 204, 205, 236, 170, 172, 170, 169, 207, 137, 181,  
18, 66,  
37, 98, 163, 25, 169, 146, 143, 18, 175, 162, 41, 21, 66, 34, 69, 180, 0, 4, 73, 34,  
36, 68, 4, 99, 36, 9, 73, 181, 36, 73, 153, 84, 207, 75, 153, 166, 91, 44, 54, 41,  
148, 146, 162, 148, 169, 178, 36, 36, 37, 36, 149, 34, 76, 41, 150, 100, 148, 75, 187,  
73,  
68, 154, 41, 187, 187, 187, 178, 185, 43, 43, 178, 196, 146, 43, 69, 186, 101, 149,  
25, 153,  
41, 155, 185, 149, 94, 213, 25, 18, 155, 26, 253, 242, 170, 252, 33, 89, 34, 155, 65,  
213,  
180, 73, 187, 171, 180, 34, 146, 155, 66, 185, 77, 27, 153, 221, 153, 11, 171, 187,  
170, 50,  
0, 0, 8, 8, 0, 11, 176, 0, 128, 11, 136, 11, 155, 0, 176, 187, 0, 187, 0, 8,  
8, 184, 187, 140, 213, 128, 184, 155, 68, 0, 128, 8, 128, 184, 139, 139, 73, 8, 139, 0,  
152, 184, 11, 8, 0, 8, 128, 144, 0, 136, 176, 152, 4, 74, 164, 75, 9, 152, 0, 130,  
180, 184, 176, 136, 187, 8, 153, 153, 139, 176, 176, 184, 139, 11, 178, 73, 187, 11,  
11, 187,  
132, 132, 180, 187, 136, 185, 128, 187, 187, 75, 139, 11, 152, 154, 229, 0, 11, 72,  
148, 169,  
184, 72, 154, 105, 180, 6, 109, 252, 251, 144, 0, 148, 72, 4, 72, 136, 178, 139, 187,  
187,  
184, 153, 64, 139, 2, 73, 187, 139, 42, 91, 66, 187, 0, 184, 184, 187, 75, 75, 155, 43,  
75, 149, 75, 11, 153, 76, 194, 154, 26, 222, 89, 144, 66, 75, 188, 98, 166, 169, 138,  
243,  
170, 70, 91, 34, 74, 169, 155, 180, 75, 75, 181, 41, 66, 34, 34, 162, 42, 106, 149, 21,  
41, 197, 162, 164, 36, 161, 92, 207, 252, 172, 162, 170, 174, 249, 153, 152, 146, 74,  
53, 37,  
36, 34, 86, 201, 153, 187, 178, 165, 243, 154, 42, 146, 36, 66, 75, 68, 64, 4, 148, 91,



185, 185, 188, 101, 68, 68, 73, 146, 36, 32, 170, 82, 42, 149, 91, 153, 68, 161, 81,  
36,  
84, 42, 42, 162, 153, 187, 148, 180, 166, 36, 85, 180, 41, 34, 153, 41, 185, 68, 148,  
155,  
185, 66, 155, 66, 75, 178, 65, 84, 154, 155, 44, 42, 187, 155, 75, 178, 43, 180, 41,  
36,  
180, 91, 11, 42, 90, 169, 155, 84, 73, 63, 231, 220, 175, 125, 170, 43, 153, 155, 69,  
162,  
68, 180, 185, 21, 73, 41, 41, 187, 153, 159, 213, 82, 154, 170, 153, 185, 153, 187,  
38, 194,  
180, 8, 128, 0, 0, 8, 32, 0, 8, 155, 128, 75, 187, 128, 139, 0, 0, 184, 11, 64,  
9, 136, 128, 151, 57, 137, 128, 128, 36, 42, 0, 8, 8, 136, 128, 136, 137, 139, 180,  
176,  
43, 0, 73, 139, 0, 144, 0, 0, 128, 8, 184, 128, 187, 187, 75, 32, 0, 0, 11, 187,  
128, 185, 72, 152, 8, 176, 154, 139, 184, 11, 0, 184, 136, 187, 195, 201, 176, 8, 128,  
8,  
73, 144, 4, 184, 187, 9, 132, 176, 8, 73, 64, 11, 148, 152, 68, 0, 11, 187, 187, 171,  
4, 34, 176, 152, 172, 173, 221, 218, 152, 75, 8, 146, 187, 176, 137, 144, 4, 187, 132,  
0,  
180, 187, 149, 43, 0, 66, 152, 144, 153, 91, 150, 153, 155, 252, 43, 184, 164, 187,  
176, 185,  
91, 34, 73, 75, 68, 153, 152, 44, 9, 37, 36, 180, 68, 41, 95, 233, 243, 200, 154, 215,  
194, 181, 82, 69, 41, 185, 34, 146, 44, 82, 37, 41, 37, 79, 197, 154, 177, 50, 66, 18,  
34, 97, 201, 41, 148, 149, 153, 162, 170, 170, 170, 85, 198, 89, 153, 152, 36, 69, 85,  
84,  
34, 178, 154, 105, 149, 148, 40, 153, 162, 146, 170, 68, 66, 164, 73, 148, 11, 69, 20,  
10,  
73, 66, 149, 84, 36, 4, 146, 34, 66, 66, 18, 75, 75, 41, 171, 68, 178, 53, 82, 68,  
36, 154, 17, 66, 146, 178, 171, 187, 68, 178, 37, 73, 68, 149, 73, 66, 185, 66, 90, 74,  
27, 153, 75, 68, 73, 182, 193, 84, 65, 180, 146, 153, 154, 36, 73, 187, 187, 187, 154,  
57,  
68, 187, 187, 34, 148, 178, 43, 169, 153, 172, 238, 252, 154, 239, 202, 153, 76, 155,  
34, 66,

43, 185, 178, 84, 98, 148, 153, 149, 34, 45, 233, 69, 148, 153, 185, 180, 171, 155,  
74, 153,  
128, 0, 0, 136, 0, 148, 4, 176, 136, 0, 8, 72, 0, 0, 8, 0, 136, 9, 184, 144,  
8, 128, 136, 10, 153, 8, 0, 8, 2, 52, 0, 8, 136, 152, 136, 136, 8, 128, 64, 11,  
139, 0, 152, 128, 11, 0, 4, 9, 0, 4, 128, 0, 0, 11, 10, 176, 176, 128, 11, 4,  
0, 139, 75, 0, 8, 4, 185, 144, 75, 4, 137, 9, 187, 187, 159, 114, 72, 128, 137, 8,  
8, 160, 64, 130, 11, 11, 187, 0, 0, 184, 75, 2, 0, 144, 180, 4, 187, 162, 210, 91,  
64, 64, 4, 4, 132, 205, 221, 202, 153, 176, 11, 64, 139, 11, 136, 155, 41, 11, 4, 64,  
34, 184, 151, 220, 43, 132, 155, 4, 0, 164, 73, 184, 187, 241, 36, 75, 68, 168, 139,  
187,  
141, 43, 85, 152, 162, 73, 155, 38, 64, 4, 68, 144, 66, 75, 169, 170, 137, 153, 170,  
207,  
160, 2, 145, 84, 17, 185, 75, 153, 41, 69, 82, 73, 37, 34, 42, 21, 146, 21, 70, 84,  
66, 146, 162, 202, 89, 81, 170, 185, 169, 152, 42, 41, 74, 41, 138, 180, 82, 68, 37,  
73,  
243, 148, 186, 169, 136, 68, 162, 44, 106, 153, 174, 242, 153, 169, 155, 66, 187,  
154, 36, 74,  
180, 75, 40, 21, 32, 41, 139, 2, 41, 181, 40, 68, 37, 75, 64, 4, 37, 18, 34, 41,  
178, 145, 54, 93, 201, 181, 153, 153, 73, 37, 37, 187, 68, 155, 75, 178, 153, 82, 68,  
191,  
57, 185, 187, 66, 178, 149, 146, 75, 84, 43, 153, 155, 149, 75, 75, 68, 34, 73, 187,  
185,  
169, 156, 180, 75, 36, 66, 75, 153, 153, 153, 172, 169, 153, 170, 169, 153, 68, 187,  
186, 68,  
148, 186, 145, 220, 171, 153, 153, 146, 82, 153, 42, 199, 36, 153, 185, 75, 153, 187,  
146, 148,  
136, 187, 136, 136, 128, 0, 139, 136, 155, 8, 8, 128, 0, 75, 176, 9, 137, 128, 184, 11,  
136, 152, 0, 152, 128, 0, 0, 41, 148, 153, 8, 0, 8, 136, 128, 8, 143, 40, 64, 184,  
0, 8, 136, 0, 0, 176, 4, 88, 0, 176, 11, 4, 4, 187, 137, 137, 184, 0, 64, 152,  
187, 146, 8, 8, 0, 144, 136, 153, 144, 11, 128, 9, 11, 8, 186, 203, 85, 64, 176, 8,  
148, 176, 0, 176, 144, 152, 0, 128, 75, 144, 0, 132, 187, 64, 144, 187, 11, 153, 73,  
187,  
4, 4, 0, 187, 156, 222, 237, 170, 155, 185, 0, 0, 137, 0, 75, 153, 148, 64, 64, 75,

187, 176, 69, 135, 105, 137, 64, 36, 36, 102, 73, 187, 185, 66, 91, 180, 178, 152, 66,  
0,  
34, 178, 40, 66, 73, 40, 187, 148, 144, 64, 176, 180, 34, 139, 153, 155, 72, 136, 75,  
152,  
171, 9, 82, 85, 66, 169, 37, 156, 26, 76, 98, 92, 36, 68, 146, 197, 41, 44, 82, 64,  
82, 18, 26, 194, 178, 63, 66, 137, 36, 155, 154, 50, 69, 33, 204, 2, 85, 36, 247, 65,  
253, 164, 75, 170, 148, 64, 64, 44, 202, 170, 46, 250, 170, 154, 148, 160, 187, 187,  
34, 194,  
155, 9, 90, 36, 68, 72, 74, 68, 40, 68, 41, 144, 72, 153, 42, 41, 68, 37, 98, 75,  
153, 73, 34, 93, 34, 153, 155, 187, 185, 41, 41, 185, 187, 164, 148, 75, 41, 75, 73,  
178,  
41, 153, 180, 153, 165, 41, 180, 37, 43, 73, 185, 187, 11, 187, 75, 180, 36, 185, 66,  
75,  
180, 199, 68, 185, 154, 18, 180, 155, 153, 153, 36, 153, 154, 170, 153, 148, 161,  
153, 154, 34,  
75, 156, 173, 127, 169, 155, 187, 153, 155, 185, 171, 166, 36, 185, 180, 187, 11, 68,  
185, 187,  
137, 128, 11, 0, 11, 11, 8, 139, 128, 136, 0, 187, 64, 73, 176, 137, 64, 128, 184, 72,  
184, 128, 136, 137, 136, 8, 128, 136, 32, 0, 11, 176, 139, 187, 136, 11, 132, 0, 11,  
144,  
11, 152, 128, 180, 187, 2, 0, 0, 68, 0, 2, 91, 130, 187, 155, 72, 144, 128, 128, 0,  
11, 149, 0, 2, 168, 0, 184, 185, 11, 187, 0, 0, 128, 193, 184, 11, 252, 187, 0, 128,  
0, 11, 73, 144, 4, 136, 8, 8, 148, 139, 171, 155, 132, 84, 0, 152, 132, 68, 187, 176,  
4, 68, 176, 5, 28, 253, 223, 170, 137, 0, 32, 64, 34, 187, 185, 153, 153, 32, 176, 68,  
187, 11, 184, 2, 169, 130, 20, 176, 0, 2, 154, 187, 75, 155, 132, 36, 11, 187, 185,  
139,  
2, 41, 164, 155, 72, 178, 73, 160, 164, 185, 148, 148, 66, 76, 152, 146, 11, 9, 75,  
137,  
154, 152, 149, 32, 64, 28, 85, 77, 194, 66, 101, 37, 36, 85, 170, 34, 34, 148, 146, 66,  
64, 44, 45, 234, 34, 162, 42, 169, 155, 170, 156, 84, 66, 185, 84, 22, 194, 75, 34, 68,  
66, 68, 180, 43, 165, 82, 153, 137, 166, 163, 169, 149, 42, 155, 148, 75, 68, 187,  
153, 209,  
90, 68, 68, 34, 66, 68, 157, 82, 41, 74, 95, 25, 153, 144, 77, 100, 153, 153, 91, 9,

187, 68, 44, 213, 75, 180, 146, 43, 180, 169, 155, 154, 42, 155, 34, 164, 36, 180,  
185, 178,  
155, 180, 153, 180, 74, 89, 180, 66, 155, 185, 187, 11, 145, 180, 187, 155, 180, 73,  
73, 185,  
73, 178, 41, 69, 57, 180, 100, 89, 171, 37, 74, 75, 43, 153, 153, 17, 85, 73, 58, 73,  
185, 247, 172, 220, 204, 155, 156, 36, 155, 185, 153, 41, 36, 153, 180, 164, 185,  
187, 155, 169,  
4, 8, 136, 128, 139, 11, 184, 187, 185, 155, 136, 0, 0, 176, 0, 187, 8, 66, 152, 155,  
9, 0, 2, 136, 128, 0, 0, 0, 128, 128, 64, 72, 73, 11, 139, 0, 136, 0, 64, 8,  
148, 153, 144, 4, 73, 0, 8, 11, 11, 176, 4, 185, 0, 0, 128, 187, 176, 152, 187, 16,  
11, 64, 0, 148, 0, 148, 4, 155, 136, 128, 0, 144, 128, 73, 0, 137, 184, 184, 176, 187,  
128, 4, 66, 128, 9, 187, 11, 152, 152, 0, 11, 155, 146, 52, 176, 41, 9, 187, 4, 75,  
0, 75, 187, 11, 156, 253, 220, 169, 132, 187, 0, 0, 64, 136, 148, 162, 180, 147, 98,  
155,  
176, 68, 178, 187, 139, 176, 68, 144, 9, 41, 150, 75, 75, 11, 49, 64, 11, 4, 81, 155,  
43, 136, 36, 162, 171, 148, 41, 137, 41, 185, 64, 68, 72, 185, 41, 176, 138, 11, 185,  
146,  
43, 148, 146, 36, 36, 223, 82, 37, 149, 34, 85, 64, 34, 18, 34, 74, 130, 11, 180, 41,  
170, 85, 34, 194, 146, 37, 205, 170, 90, 153, 154, 34, 42, 170, 68, 37, 43, 75, 185,  
68,  
36, 146, 36, 41, 146, 146, 40, 34, 97, 42, 26, 154, 253, 194, 73, 68, 34, 43, 185, 202,  
33, 43, 11, 34, 36, 68, 149, 40, 4, 149, 21, 153, 154, 148, 9, 34, 36, 75, 155, 185,  
187, 66, 44, 209, 82, 187, 75, 36, 185, 180, 73, 82, 28, 34, 170, 153, 153, 180, 187,  
187,  
187, 41, 66, 185, 154, 185, 180, 18, 185, 155, 155, 187, 149, 66, 43, 162, 68, 187,  
180, 41,  
42, 90, 91, 180, 169, 178, 100, 41, 153, 153, 149, 162, 153, 153, 187, 66, 180, 148,  
165, 34,  
43, 175, 154, 154, 175, 144, 158, 171, 68, 187, 156, 253, 75, 68, 164, 180, 153, 185,  
155, 155,  
176, 152, 136, 41, 146, 0, 139, 187, 8, 136, 0, 128, 176, 0, 8, 178, 75, 73, 148, 136,  
128, 184, 139, 64, 176, 9, 8, 152, 128, 9, 4, 187, 73, 184, 144, 0, 176, 0, 176, 0,  
162, 144, 11, 0, 0, 139, 139, 11, 0, 0, 187, 10, 0, 0, 11, 0, 0, 148, 0, 16,

0, 4, 75, 139, 4, 187, 185, 43, 72, 176, 184, 144, 153, 68, 8, 176, 64, 187, 4, 9,  
75, 64, 176, 139, 72, 8, 11, 136, 41, 0, 128, 72, 148, 88, 128, 41, 176, 0, 11, 128,  
180, 36, 180, 75, 42, 255, 202, 154, 169, 155, 20, 185, 75, 152, 137, 169, 155, 150,  
201, 187,  
176, 33, 180, 187, 187, 9, 180, 43, 153, 196, 44, 27, 79, 36, 84, 72, 178, 73, 34, 75,  
75, 169, 184, 74, 60, 73, 152, 153, 146, 43, 36, 180, 155, 73, 27, 187, 153, 162, 8,  
44,  
146, 162, 34, 36, 170, 34, 146, 108, 181, 69, 81, 80, 37, 21, 73, 168, 146, 180, 180,  
185,  
37, 93, 42, 84, 42, 38, 254, 89, 148, 153, 160, 33, 206, 124, 164, 41, 36, 178, 148,  
154,  
66, 66, 100, 137, 197, 89, 146, 146, 82, 91, 171, 146, 254, 164, 153, 155, 65, 43,  
178, 90,  
181, 161, 66, 66, 75, 180, 75, 41, 75, 66, 169, 41, 162, 36, 66, 162, 37, 43, 148, 159,  
91, 146, 153, 89, 34, 73, 75, 36, 73, 18, 153, 170, 90, 156, 20, 36, 178, 146, 73, 180,  
185, 156, 84, 36, 153, 169, 186, 34, 148, 41, 73, 73, 185, 34, 37, 73, 146, 155, 68,  
74,  
173, 202, 41, 181, 197, 68, 84, 73, 148, 148, 154, 85, 73, 155, 68, 185, 148, 68, 66,  
82,  
180, 44, 178, 154, 153, 153, 36, 91, 75, 75, 186, 245, 165, 36, 36, 180, 154, 75, 153,  
171,  
64, 11, 177, 251, 128, 8, 185, 155, 136, 136, 0, 0, 0, 128, 128, 156, 160, 0, 73, 136,  
0, 0, 176, 8, 0, 8, 136, 75, 9, 64, 11, 187, 153, 187, 0, 184, 176, 128, 8, 11,  
41, 187, 128, 8, 8, 187, 139, 128, 0, 64, 0, 9, 128, 128, 4, 0, 176, 64, 0, 4,  
0, 180, 176, 136, 0, 4, 11, 176, 187, 4, 187, 184, 176, 144, 184, 0, 11, 152, 185, 176,  
8, 0, 176, 11, 144, 136, 128, 187, 73, 178, 144, 185, 139, 11, 0, 132, 184, 176, 136,  
184,  
184, 43, 4, 9, 170, 170, 169, 141, 217, 139, 43, 155, 155, 154, 5, 162, 73, 185, 187,  
187,  
180, 68, 64, 180, 66, 66, 188, 217, 72, 171, 76, 91, 178, 68, 0, 4, 9, 184, 68, 187,  
73, 170, 148, 47, 115, 154, 186, 36, 75, 4, 34, 37, 187, 41, 217, 185, 138, 73, 165,  
33,  
90, 36, 34, 84, 193, 40, 185, 164, 68, 162, 66, 82, 98, 36, 34, 18, 84, 176, 153, 43,

154, 149, 205, 209, 82, 34, 214, 89, 185, 89, 40, 34, 175, 234, 153, 175, 149, 36,  
184, 146,  
68, 34, 81, 73, 92, 89, 148, 25, 43, 4, 38, 164, 41, 75, 187, 153, 150, 43, 178, 169,  
178, 146, 36, 68, 185, 153, 75, 37, 4, 73, 11, 69, 73, 68, 68, 36, 69, 180, 68, 37,  
89, 148, 156, 53, 43, 37, 84, 187, 187, 41, 37, 153, 73, 75, 41, 146, 155, 178, 41, 68,  
75, 172, 169, 18, 181, 50, 85, 21, 164, 66, 34, 34, 93, 34, 148, 148, 73, 41, 68, 154,  
215, 223, 153, 156, 85, 153, 180, 66, 146, 73, 68, 34, 155, 155, 68, 68, 149, 36, 68,  
36,  
42, 153, 185, 153, 153, 153, 148, 81, 153, 73, 153, 90, 229, 84, 37, 153, 180, 155,  
153, 205,  
75, 8, 153, 72, 187, 136, 176, 139, 11, 139, 0, 0, 128, 0, 0, 0, 75, 176, 185, 187,  
187, 128, 0, 11, 0, 8, 180, 8, 128, 176, 9, 171, 184, 136, 4, 144, 8, 0, 136, 180,  
11, 184, 0, 0, 137, 4, 184, 148, 11, 139, 187, 0, 128, 136, 0, 144, 64, 8, 176, 11,  
8, 11, 184, 139, 11, 184, 187, 176, 68, 187, 0, 176, 187, 75, 0, 0, 9, 8, 176, 184,  
139, 0, 176, 0, 184, 128, 136, 9, 130, 184, 4, 136, 187, 32, 11, 0, 9, 128, 137, 139,  
75, 6, 91, 4, 204, 175, 152, 153, 36, 40, 169, 181, 164, 187, 42, 68, 172, 154, 37, 64,  
181, 36, 4, 68, 178, 41, 186, 27, 153, 105, 74, 105, 4, 43, 184, 154, 41, 64, 176, 74,  
36, 170, 236, 149, 101, 193, 154, 180, 155, 185, 21, 66, 75, 153, 92, 137, 149, 41,  
84, 34,  
205, 82, 153, 154, 82, 44, 73, 85, 36, 180, 68, 37, 97, 37, 21, 49, 34, 68, 166, 20,  
69, 69, 247, 239, 201, 34, 85, 162, 42, 242, 148, 36, 172, 218, 154, 202, 153, 43,  
155, 66,  
164, 79, 250, 204, 68, 162, 43, 85, 64, 68, 166, 34, 66, 84, 153, 203, 178, 68, 2, 186,  
180, 34, 36, 68, 169, 155, 178, 25, 185, 148, 178, 186, 68, 82, 68, 68, 43, 68, 37, 68,  
73, 153, 66, 202, 169, 68, 43, 187, 187, 34, 91, 36, 85, 68, 75, 178, 75, 187, 41, 155,  
180, 178, 180, 27, 66, 170, 178, 37, 146, 44, 37, 162, 85, 41, 185, 155, 148, 148,  
187, 74,  
254, 250, 171, 185, 43, 187, 186, 66, 187, 185, 73, 162, 153, 155, 43, 146, 34, 68,  
187, 68,  
66, 187, 73, 73, 162, 178, 91, 150, 43, 187, 75, 154, 26, 43, 84, 84, 66, 73, 154, 231,  
176, 11, 184, 139, 0, 128, 0, 136, 72, 137, 0, 137, 0, 0, 128, 8, 64, 136, 193, 128,  
128, 8, 8, 8, 0, 0, 136, 75, 176, 0, 8, 148, 153, 155, 75, 68, 0, 136, 128, 8,  
128, 11, 128, 128, 155, 4, 43, 101, 184, 139, 0, 8, 128, 139, 11, 152, 8, 8, 0, 153,

176, 9, 152, 132, 136, 152, 0, 4, 64, 187, 0, 75, 152, 11, 8, 128, 128, 137, 146, 8,  
11, 180, 73, 0, 136, 176, 176, 68, 139, 184, 128, 184, 187, 2, 8, 176, 11, 136, 152,  
139,  
152, 69, 4, 10, 238, 83, 91, 139, 148, 200, 169, 185, 146, 75, 73, 176, 206, 36, 40,  
137,  
36, 68, 146, 69, 36, 64, 72, 138, 137, 185, 156, 233, 41, 75, 143, 91, 180, 146, 41,  
155,  
170, 197, 25, 153, 41, 198, 145, 178, 75, 68, 68, 66, 153, 73, 204, 146, 185, 146, 68,  
92,  
231, 18, 75, 153, 154, 137, 20, 162, 41, 180, 69, 34, 85, 82, 34, 106, 21, 32, 34, 169,  
65, 155, 204, 21, 36, 149, 92, 34, 74, 202, 154, 146, 41, 169, 156, 61, 169, 91, 132,  
36,  
68, 44, 213, 162, 68, 153, 41, 49, 68, 68, 170, 178, 68, 18, 156, 117, 146, 75, 149,  
153,  
245, 66, 43, 34, 154, 148, 187, 36, 153, 185, 185, 185, 37, 225, 185, 74, 100, 68,  
145, 43,  
187, 187, 153, 36, 153, 187, 180, 180, 73, 180, 66, 170, 36, 82, 68, 148, 171, 170,  
148, 75,  
185, 153, 187, 75, 162, 153, 153, 180, 66, 17, 66, 66, 34, 73, 91, 187, 41, 187, 148,  
169,  
175, 170, 153, 154, 43, 75, 148, 146, 41, 149, 148, 43, 193, 153, 41, 169, 34, 155,  
187, 43,  
187, 68, 178, 154, 165, 188, 59, 178, 155, 146, 155, 187, 148, 34, 68, 185, 34, 79,  
202, 205,  
128, 139, 0, 0, 8, 128, 8, 176, 180, 64, 0, 64, 75, 11, 137, 9, 72, 187, 9, 176,  
0, 8, 0, 136, 155, 0, 136, 136, 155, 68, 128, 137, 72, 137, 152, 40, 8, 132, 148, 176,  
136, 9, 64, 128, 0, 137, 40, 25, 176, 176, 11, 184, 73, 9, 24, 4, 171, 187, 0, 11,  
0, 153, 184, 152, 185, 42, 0, 2, 176, 132, 0, 0, 144, 176, 0, 176, 8, 153, 128, 73,  
187, 178, 180, 128, 40, 0, 128, 32, 144, 176, 128, 139, 4, 9, 187, 148, 8, 136, 153,  
185,  
156, 176, 64, 11, 172, 170, 75, 187, 155, 155, 155, 136, 68, 187, 73, 176, 37, 176,  
148, 155,

185, 185, 155, 67, 20, 66, 187, 186, 57, 84, 41, 184, 68, 186, 172, 204, 36, 155, 153,  
155,  
220, 170, 153, 130, 18, 75, 132, 84, 34, 68, 64, 187, 148, 33, 36, 187, 89, 34, 36, 34,  
198, 20, 170, 41, 153, 149, 41, 82, 41, 153, 66, 36, 36, 36, 66, 194, 85, 98, 32, 73,  
76, 41, 165, 37, 161, 194, 246, 42, 204, 241, 162, 180, 92, 64, 154, 199, 196, 178,  
68, 37,  
80, 36, 153, 148, 91, 34, 75, 81, 68, 145, 37, 32, 34, 64, 156, 53, 170, 73, 180, 180,  
148, 180, 36, 41, 180, 68, 74, 253, 164, 66, 68, 150, 21, 18, 75, 156, 242, 66, 25,  
148,  
43, 187, 154, 170, 164, 155, 68, 187, 180, 73, 178, 214, 68, 66, 41, 36, 187, 185,  
171, 187,  
153, 153, 178, 154, 155, 180, 36, 73, 178, 106, 73, 180, 68, 75, 73, 187, 148, 153,  
148, 169,  
161, 170, 177, 94, 210, 169, 147, 98, 180, 146, 154, 68, 66, 146, 153, 153, 68, 36,  
185, 180,  
187, 180, 185, 153, 73, 155, 155, 146, 73, 185, 82, 153, 82, 84, 75, 155, 145, 206,  
212, 172,  
0, 11, 0, 8, 136, 128, 136, 0, 64, 4, 152, 176, 176, 8, 73, 10, 136, 2, 152, 136,  
0, 0, 136, 0, 136, 11, 128, 154, 155, 72, 8, 144, 73, 137, 152, 139, 180, 68, 155, 68,  
136, 137, 160, 4, 128, 136, 209, 8, 8, 73, 4, 11, 8, 184, 168, 187, 128, 8, 0, 0,  
152, 8, 128, 154, 187, 176, 0, 2, 136, 176, 68, 176, 176, 41, 136, 153, 136, 136, 187,  
9,  
153, 68, 68, 128, 11, 11, 128, 64, 144, 0, 144, 0, 154, 187, 187, 0, 153, 170, 153, 0,  
180, 176, 68, 154, 153, 66, 180, 184, 72, 137, 141, 201, 128, 178, 0, 132, 20, 187, 0,  
137,  
187, 185, 180, 68, 66, 38, 36, 136, 40, 82, 9, 132, 205, 42, 153, 78, 200, 187, 152,  
155,  
180, 74, 187, 185, 25, 68, 68, 150, 17, 84, 36, 0, 146, 69, 84, 34, 60, 82, 73, 34,  
149, 92, 34, 155, 154, 200, 159, 113, 84, 4, 34, 43, 36, 82, 42, 194, 84, 68, 21, 34,  
155, 180, 68, 34, 215, 195, 197, 173, 126, 119, 101, 73, 176, 144, 155, 42, 180, 185,  
37, 66,  
18, 64, 148, 170, 43, 149, 146, 32, 68, 9, 37, 98, 84, 10, 169, 92, 18, 164, 180, 66,



98, 66, 68, 180, 185, 148, 26, 215, 82, 162, 36, 35, 204, 66, 187, 146, 73, 84, 146,  
36,  
43, 75, 73, 76, 201, 153, 34, 68, 73, 153, 154, 170, 43, 148, 73, 84, 75, 185, 146, 73,  
154, 41, 155, 180, 148, 180, 171, 185, 146, 36, 79, 169, 164, 171, 178, 84, 155, 185,  
149, 213,  
73, 154, 153, 47, 89, 155, 44, 90, 185, 73, 178, 34, 187, 146, 172, 170, 153, 153,  
178, 68,  
146, 187, 73, 73, 155, 187, 169, 66, 73, 73, 181, 84, 203, 153, 153, 180, 163, 209,  
90, 187,  
0, 176, 0, 139, 11, 0, 0, 11, 75, 0, 8, 176, 8, 128, 40, 136, 0, 178, 184, 139,  
8, 136, 144, 136, 139, 8, 139, 175, 153, 155, 136, 136, 152, 152, 168, 148, 184, 75,  
8, 0,  
72, 155, 128, 64, 0, 137, 184, 11, 11, 137, 9, 184, 8, 152, 0, 128, 132, 176, 8, 4,  
64, 8, 11, 185, 152, 176, 180, 128, 8, 75, 4, 64, 187, 11, 0, 136, 168, 136, 176, 184,  
0, 187, 184, 128, 11, 11, 4, 4, 4, 0, 155, 11, 128, 136, 186, 73, 201, 111, 36, 176,  
178, 2, 146, 132, 136, 68, 75, 137, 180, 176, 143, 42, 176, 164, 155, 85, 66, 187, 34,  
185,  
180, 68, 2, 64, 4, 66, 153, 136, 153, 144, 40, 155, 173, 47, 11, 154, 64, 74, 176, 11,  
139, 144, 180, 75, 2, 66, 148, 86, 34, 36, 84, 180, 205, 66, 34, 84, 68, 63, 132, 148,  
36, 66, 155, 42, 170, 42, 172, 81, 74, 37, 34, 73, 18, 83, 43, 178, 36, 36, 68, 2,  
180, 11, 132, 42, 95, 37, 66, 154, 214, 220, 162, 75, 146, 2, 130, 42, 148, 187, 155,  
66,  
66, 68, 41, 152, 187, 148, 149, 68, 68, 68, 37, 117, 68, 174, 219, 154, 41, 74, 42, 34,  
36, 73, 185, 98, 155, 75, 66, 204, 153, 49, 164, 41, 165, 148, 43, 73, 68, 66, 89, 148,  
75, 187, 146, 74, 170, 153, 34, 84, 185, 169, 186, 153, 73, 43, 155, 42, 153, 185,  
154, 185,  
146, 162, 155, 68, 201, 180, 146, 185, 73, 155, 186, 217, 180, 185, 201, 75, 187,  
186, 210, 68,  
68, 186, 144, 180, 155, 187, 149, 41, 65, 73, 149, 43, 146, 90, 199, 218, 169, 41,  
185, 185,  
68, 42, 171, 185, 155, 155, 180, 162, 36, 73, 148, 84, 75, 34, 68, 163, 194, 41, 153,  
155,  
8, 0, 8, 148, 11, 176, 11, 11, 187, 176, 136, 128, 0, 128, 40, 184, 0, 165, 0, 128,

128, 68, 139, 8, 136, 128, 128, 154, 137, 184, 153, 153, 170, 170, 168, 136, 155,  
187, 184, 0,  
136, 9, 144, 8, 11, 0, 11, 128, 144, 0, 139, 0, 132, 155, 136, 128, 137, 171, 0, 64,  
8, 136, 11, 152, 169, 128, 11, 2, 187, 137, 75, 64, 4, 184, 0, 11, 137, 139, 4, 80,  
187, 11, 0, 187, 0, 185, 4, 152, 68, 4, 128, 0, 132, 144, 9, 184, 131, 82, 176, 36,  
11, 11, 137, 139, 193, 73, 73, 187, 185, 185, 155, 182, 64, 68, 147, 25, 144, 184,  
180, 144,  
128, 75, 180, 4, 176, 11, 137, 36, 178, 148, 89, 8, 146, 66, 184, 184, 178, 145, 187,  
139,  
185, 162, 68, 176, 75, 173, 153, 33, 35, 84, 68, 2, 146, 91, 65, 20, 66, 101, 168, 180,  
132, 180, 34, 174, 249, 95, 201, 41, 38, 68, 35, 82, 68, 37, 162, 146, 34, 64, 176, 0,  
27, 153, 4, 73, 34, 146, 68, 66, 194, 153, 68, 154, 148, 10, 172, 44, 187, 132, 9, 68,  
146, 66, 180, 171, 178, 37, 180, 70, 20, 68, 9, 34, 64, 37, 34, 89, 91, 180, 146, 146,  
34, 73, 154, 213, 43, 153, 36, 185, 169, 175, 203, 42, 162, 66, 91, 149, 148, 180,  
108, 178,  
185, 187, 68, 44, 153, 146, 37, 210, 74, 82, 187, 185, 73, 185, 187, 187, 43, 185,  
153, 155,  
66, 162, 75, 188, 101, 75, 155, 73, 149, 185, 178, 234, 155, 157, 125, 36, 187, 74,  
68, 180,  
43, 180, 64, 149, 155, 185, 99, 85, 85, 102, 156, 34, 43, 172, 231, 220, 218, 154,  
153, 155,  
73, 79, 196, 153, 153, 43, 79, 102, 43, 153, 36, 180, 153, 43, 148, 95, 84, 185, 42,  
155,  
176, 0, 8, 0, 176, 0, 187, 0, 0, 0, 0, 187, 8, 0, 155, 8, 0, 152, 8, 0,  
137, 187, 8, 11, 176, 0, 136, 149, 187, 153, 136, 170, 204, 204, 202, 152, 152, 144,  
187, 9,  
136, 176, 176, 0, 8, 0, 4, 8, 8, 0, 9, 176, 132, 136, 137, 187, 146, 27, 128, 0,  
136, 144, 176, 130, 170, 139, 11, 155, 180, 184, 0, 64, 75, 8, 11, 128, 136, 139, 11,  
155,  
0, 0, 176, 75, 160, 40, 187, 9, 75, 0, 184, 4, 184, 68, 187, 152, 37, 68, 176, 9,  
41, 176, 132, 0, 68, 176, 185, 139, 184, 136, 152, 181, 153, 176, 38, 89, 152, 148,  
153, 128,  
155, 75, 4, 132, 180, 68, 94, 98, 137, 187, 73, 43, 4, 68, 64, 68, 186, 202, 203, 155,

43, 149, 75, 68, 75, 185, 154, 174, 83, 80, 64, 148, 187, 68, 2, 98, 66, 74, 185, 187,  
144, 137, 148, 188, 32, 170, 148, 34, 149, 66, 38, 82, 66, 73, 155, 194, 32, 194, 68,  
73,  
170, 75, 136, 148, 73, 180, 68, 188, 21, 153, 148, 41, 164, 8, 169, 25, 153, 68, 178,  
74,  
68, 91, 75, 153, 146, 197, 137, 38, 18, 68, 73, 66, 70, 194, 159, 89, 75, 180, 66, 160,  
66, 74, 153, 41, 148, 185, 68, 163, 229, 247, 210, 65, 197, 66, 75, 146, 73, 153, 17,  
164,  
180, 153, 155, 153, 153, 73, 73, 43, 69, 73, 178, 76, 25, 154, 155, 180, 41, 187, 153,  
66,  
34, 169, 155, 153, 84, 164, 68, 178, 41, 185, 178, 75, 187, 169, 162, 178, 187, 41,  
64, 153,  
75, 185, 187, 162, 155, 66, 242, 66, 43, 156, 153, 34, 154, 44, 222, 220, 204, 236,  
169, 153,  
180, 153, 66, 153, 197, 155, 153, 161, 144, 185, 153, 144, 155, 37, 180, 157, 89,  
155, 185, 146,  
0, 0, 11, 11, 139, 64, 176, 176, 0, 187, 128, 8, 128, 0, 187, 152, 0, 0, 128, 0,  
130, 68, 8, 176, 176, 0, 137, 185, 137, 137, 153, 172, 253, 223, 202, 170, 175, 164,  
176, 187,  
43, 137, 128, 9, 11, 136, 2, 11, 0, 136, 128, 176, 132, 0, 187, 74, 171, 176, 0, 128,  
8, 128, 136, 178, 227, 80, 176, 72, 152, 9, 176, 0, 184, 11, 176, 155, 187, 128, 176,  
68,  
4, 11, 75, 154, 48, 155, 187, 176, 0, 9, 128, 11, 0, 64, 144, 8, 68, 176, 187, 187,  
34, 40, 144, 0, 176, 0, 11, 155, 176, 11, 184, 176, 176, 64, 9, 153, 130, 73, 66, 130,  
185, 0, 153, 70, 251, 5, 33, 43, 139, 153, 148, 176, 4, 83, 43, 43, 184, 171, 153, 184,  
155, 155, 82, 155, 136, 88, 144, 207, 36, 9, 241, 90, 43, 148, 68, 82, 18, 207, 41, 75,  
146, 43, 180, 181, 10, 213, 82, 68, 155, 66, 32, 148, 34, 42, 40, 36, 185, 89, 2, 92,  
254, 82, 153, 152, 180, 148, 193, 149, 196, 156, 213, 89, 146, 73, 153, 32, 148, 144,  
68, 146,  
180, 84, 73, 85, 45, 98, 153, 146, 36, 75, 178, 194, 146, 153, 246, 82, 36, 33, 42, 84,  
68, 34, 185, 75, 66, 153, 73, 186, 53, 207, 201, 186, 86, 34, 148, 66, 187, 153, 187,  
185,

187, 68, 148, 180, 148, 187, 85, 155, 185, 153, 165, 153, 153, 41, 91, 66, 36, 43,  
187, 146,  
33, 50, 187, 187, 146, 153, 148, 185, 153, 155, 73, 146, 180, 185, 36, 43, 68, 36,  
153, 154,  
74, 68, 155, 162, 155, 185, 34, 18, 178, 146, 36, 34, 66, 44, 204, 202, 173, 127, 169,  
137,  
34, 170, 37, 66, 169, 153, 153, 171, 68, 75, 86, 155, 155, 84, 68, 181, 155, 73, 153,  
146,  
148, 152, 136, 8, 136, 187, 180, 8, 8, 187, 128, 0, 0, 0, 176, 184, 8, 0, 0, 139,  
72, 139, 8, 176, 144, 136, 187, 187, 73, 136, 137, 175, 222, 237, 252, 202, 199, 169,  
139, 137,  
139, 184, 176, 8, 176, 128, 180, 155, 9, 64, 0, 8, 0, 11, 139, 77, 240, 184, 184, 11,  
0, 8, 187, 9, 243, 43, 0, 9, 152, 136, 0, 0, 0, 2, 72, 176, 64, 11, 185, 64,  
0, 180, 11, 73, 153, 187, 153, 128, 11, 11, 0, 4, 0, 64, 153, 64, 185, 178, 64, 187,  
75, 75, 180, 0, 128, 0, 10, 155, 184, 66, 43, 176, 64, 8, 137, 185, 128, 0, 155, 137,  
187, 184, 186, 129, 27, 75, 2, 155, 34, 36, 68, 84, 180, 17, 68, 68, 185, 75, 164, 187,  
155, 180, 108, 168, 187, 72, 155, 152, 9, 34, 169, 42, 2, 180, 68, 178, 82, 215, 194,  
176,  
204, 155, 178, 11, 153, 200, 185, 16, 144, 4, 68, 68, 73, 34, 43, 162, 4, 89, 41, 73,  
161, 187, 66, 153, 36, 2, 202, 41, 34, 166, 82, 36, 85, 148, 75, 66, 68, 76, 34, 68,  
82, 69, 73, 75, 174, 217, 169, 20, 66, 36, 38, 20, 64, 161, 165, 162, 148, 146, 34, 54,  
81, 89, 155, 5, 68, 37, 36, 41, 90, 154, 155, 73, 165, 41, 75, 66, 68, 153, 148, 187,  
75, 73, 66, 41, 165, 41, 17, 41, 170, 69, 92, 43, 146, 41, 66, 149, 68, 155, 155, 155,  
69, 36, 187, 68, 37, 146, 68, 68, 84, 148, 68, 194, 75, 178, 201, 180, 185, 196, 180,  
166,  
186, 155, 153, 180, 155, 148, 154, 36, 187, 146, 148, 66, 187, 73, 202, 153, 154,  
204, 169, 153,  
34, 180, 146, 187, 73, 73, 153, 155, 155, 153, 154, 155, 239, 36, 153, 187, 68, 73,  
156, 162,  
4, 155, 0, 0, 4, 128, 176, 11, 128, 139, 187, 128, 0, 0, 75, 8, 184, 176, 132, 176,  
40, 136, 8, 148, 249, 128, 139, 137, 155, 154, 154, 205, 231, 126, 220, 170, 170,  
169, 153, 153,  
136, 137, 180, 11, 128, 11, 75, 0, 11, 8, 136, 128, 139, 68, 144, 10, 0, 4, 187, 144,

8, 184, 136, 137, 34, 153, 137, 180, 139, 187, 187, 0, 0, 185, 0, 8, 176, 187, 187,  
133,  
50, 0, 0, 128, 68, 8, 132, 184, 139, 4, 8, 72, 176, 4, 54, 136, 11, 10, 160, 136,  
64, 64, 11, 185, 144, 8, 138, 201, 4, 136, 185, 43, 11, 155, 137, 132, 187, 136, 187,  
152,  
187, 155, 176, 180, 36, 0, 8, 187, 34, 68, 73, 18, 64, 180, 68, 185, 154, 155, 155, 0,  
180, 11, 252, 155, 132, 155, 137, 153, 137, 68, 160, 152, 185, 139, 155, 153, 34,  
204, 162, 176,  
41, 9, 70, 37, 66, 43, 9, 201, 175, 162, 84, 75, 68, 41, 139, 36, 75, 150, 36, 187,  
148, 154, 203, 180, 36, 66, 82, 136, 68, 172, 82, 9, 34, 72, 68, 66, 162, 247, 66, 36,  
84, 66, 34, 75, 38, 22, 169, 75, 66, 34, 84, 152, 66, 155, 146, 69, 176, 36, 68, 199,  
101, 82, 73, 66, 68, 65, 84, 36, 149, 154, 155, 185, 153, 84, 153, 178, 169, 153, 169,  
89,  
185, 149, 91, 153, 21, 185, 241, 20, 153, 73, 153, 185, 148, 34, 69, 105, 180, 153,  
73, 36,  
180, 75, 75, 178, 18, 37, 73, 41, 41, 34, 73, 68, 66, 149, 90, 187, 180, 68, 154, 21,  
75, 43, 185, 155, 180, 68, 74, 146, 73, 146, 155, 75, 153, 146, 202, 170, 154, 170,  
153, 90,  
155, 169, 84, 185, 155, 155, 181, 153, 18, 148, 187, 73, 252, 73, 148, 68, 75, 178,  
92, 106,  
11, 11, 8, 128, 68, 180, 75, 0, 176, 0, 8, 0, 8, 11, 4, 9, 128, 136, 11, 91,  
34, 8, 8, 130, 176, 8, 9, 137, 128, 11, 152, 175, 222, 237, 252, 202, 170, 136, 136,  
139,  
9, 187, 187, 155, 0, 176, 128, 148, 187, 137, 139, 184, 139, 187, 8, 139, 0, 187, 0,  
11,  
136, 156, 8, 176, 68, 187, 75, 9, 184, 184, 128, 153, 0, 0, 128, 128, 0, 11, 144, 2,  
66, 75, 187, 64, 159, 203, 152, 187, 128, 8, 8, 4, 8, 75, 170, 152, 128, 9, 64, 145,  
152, 64, 152, 2, 132, 0, 128, 196, 184, 155, 180, 36, 75, 0, 152, 0, 187, 139, 139,  
146,  
128, 41, 176, 180, 176, 187, 176, 9, 213, 75, 155, 64, 41, 132, 0, 9, 152, 180, 202,  
68,  
75, 75, 186, 154, 4, 68, 32, 177, 89, 155, 168, 136, 73, 185, 4, 182, 18, 37, 180, 43,

178, 146, 66, 146, 75, 130, 75, 41, 33, 206, 98, 153, 169, 162, 144, 180, 11, 74, 37,  
40,  
68, 154, 212, 41, 144, 146, 152, 180, 68, 36, 194, 148, 37, 40, 176, 37, 194, 247, 37,  
34,  
68, 68, 84, 75, 68, 85, 160, 32, 69, 90, 176, 10, 75, 68, 73, 169, 188, 213, 64, 33,  
73, 73, 186, 195, 36, 73, 66, 178, 153, 186, 155, 178, 156, 18, 73, 146, 155, 178,  
193, 36,  
73, 197, 68, 146, 34, 187, 178, 50, 148, 73, 153, 148, 178, 90, 154, 202, 164, 146,  
180, 68,  
75, 73, 73, 86, 82, 36, 148, 21, 177, 20, 180, 66, 91, 73, 187, 146, 82, 66, 37, 230,  
169, 73, 153, 185, 41, 153, 169, 171, 185, 146, 75, 37, 34, 73, 243, 197, 153, 137,  
137, 18,  
162, 89, 101, 74, 154, 201, 68, 148, 197, 187, 187, 150, 153, 155, 146, 153, 43, 187,  
175, 127,  
176, 0, 0, 184, 0, 128, 4, 68, 136, 139, 0, 0, 0, 73, 73, 9, 184, 128, 0, 68,  
171, 0, 64, 173, 75, 0, 64, 9, 139, 176, 136, 170, 221, 221, 252, 169, 136, 137, 169,  
136,  
0, 187, 4, 0, 4, 8, 0, 9, 128, 8, 153, 176, 128, 11, 8, 0, 32, 66, 80, 0,  
139, 44, 4, 176, 176, 155, 0, 0, 187, 0, 176, 144, 8, 176, 11, 0, 159, 72, 36, 128,  
180, 180, 0, 180, 247, 229, 169, 153, 187, 10, 184, 176, 0, 0, 136, 136, 8, 152, 156,  
95,  
41, 137, 176, 72, 136, 64, 0, 0, 153, 185, 187, 176, 176, 64, 8, 0, 8, 4, 139, 230,  
171, 90, 196, 133, 41, 152, 8, 132, 68, 152, 187, 11, 201, 155, 75, 169, 155, 9, 149,  
11,  
180, 73, 41, 153, 196, 150, 32, 4, 68, 162, 41, 153, 73, 145, 180, 180, 66, 84, 36,  
153,  
148, 73, 165, 162, 178, 153, 36, 152, 148, 174, 210, 148, 153, 66, 75, 69, 68, 152,  
36, 164,  
74, 153, 34, 34, 187, 68, 184, 75, 34, 146, 90, 44, 18, 68, 41, 70, 18, 21, 69, 36,  
0, 66, 82, 64, 36, 89, 171, 43, 146, 83, 180, 64, 187, 68, 36, 40, 74, 101, 18, 34,  
76, 41, 176, 66, 36, 153, 180, 42, 169, 66, 148, 34, 163, 101, 66, 34, 155, 154, 222,  
66,

185, 37, 68, 37, 82, 148, 154, 146, 180, 178, 73, 153, 180, 34, 36, 186, 20, 65, 34,  
73,  
185, 73, 187, 178, 36, 191, 84, 82, 68, 37, 185, 36, 75, 185, 180, 148, 41, 66, 42,  
247,  
202, 43, 36, 69, 41, 74, 169, 75, 153, 180, 43, 41, 145, 36, 253, 89, 75, 153, 184,  
180,  
34, 187, 164, 180, 202, 213, 153, 178, 41, 180, 68, 161, 100, 146, 26, 73, 155, 153,  
47, 125,  
144, 128, 144, 136, 163, 148, 4, 75, 137, 128, 0, 0, 9, 137, 184, 4, 185, 11, 8, 4,  
8, 66, 0, 146, 64, 9, 136, 9, 136, 176, 128, 140, 207, 255, 170, 169, 136, 184, 185, 8,  
11, 128, 128, 185, 168, 0, 128, 0, 168, 8, 128, 152, 136, 0, 0, 130, 176, 64, 0, 32,  
144, 144, 11, 11, 137, 11, 187, 73, 155, 8, 185, 148, 176, 8, 128, 139, 140, 43, 64, 4,  
0, 180, 187, 153, 157, 169, 152, 155, 128, 8, 72, 82, 130, 137, 155, 187, 72, 155, 9,  
144,  
152, 152, 0, 64, 8, 0, 73, 0, 180, 130, 155, 180, 43, 32, 8, 8, 11, 76, 180, 42,  
180, 181, 32, 148, 9, 178, 0, 9, 104, 152, 178, 75, 138, 73, 185, 187, 187, 11, 20, 4,  
11, 68, 68, 154, 226, 148, 36, 153, 180, 8, 172, 33, 41, 180, 42, 85, 34, 137, 194,  
184,  
74, 137, 207, 249, 178, 68, 153, 184, 64, 140, 170, 32, 137, 132, 4, 146, 11, 180,  
187, 9,  
152, 146, 4, 36, 187, 68, 149, 68, 75, 74, 169, 178, 36, 153, 34, 44, 82, 34, 34, 84,  
66, 66, 2, 68, 68, 73, 146, 75, 187, 28, 68, 68, 36, 74, 250, 32, 130, 34, 254, 36,  
167, 201, 75, 149, 41, 90, 148, 180, 36, 153, 34, 81, 43, 36, 34, 161, 41, 178, 90, 89,  
180, 68, 36, 167, 229, 73, 178, 41, 185, 68, 155, 36, 43, 187, 75, 187, 148, 89, 75,  
180,  
187, 171, 181, 74, 187, 74, 202, 34, 41, 43, 73, 18, 68, 180, 185, 154, 162, 155, 155,  
161,  
172, 20, 43, 68, 73, 175, 250, 25, 155, 180, 43, 162, 165, 66, 87, 25, 41, 185, 171,  
146,  
89, 185, 165, 82, 225, 85, 43, 148, 187, 145, 153, 180, 36, 159, 18, 36, 187, 180,  
170, 221,  
96, 0, 0, 9, 172, 4, 64, 0, 137, 136, 0, 128, 9, 136, 128, 4, 128, 9, 176, 176,  
176, 97, 0, 144, 8, 146, 8, 8, 0, 75, 184, 170, 220, 204, 170, 152, 138, 234, 187, 0,

128, 128, 176, 137, 68, 0, 0, 4, 8, 187, 137, 136, 176, 9, 0, 154, 136, 128, 176, 11,  
11, 153, 64, 185, 139, 0, 11, 187, 11, 184, 136, 4, 8, 11, 73, 4, 75, 198, 132, 64,  
11, 9, 139, 185, 137, 169, 152, 185, 11, 152, 176, 1, 222, 203, 152, 184, 132, 155,  
11, 11,  
0, 8, 64, 32, 128, 0, 8, 155, 176, 73, 75, 184, 139, 66, 176, 187, 176, 68, 10, 200,  
28, 128, 73, 128, 152, 176, 64, 136, 148, 176, 180, 8, 187, 75, 139, 11, 180, 64, 18,  
64,  
75, 187, 184, 73, 43, 171, 180, 69, 66, 36, 65, 194, 43, 185, 173, 23, 34, 73, 194,  
153,  
184, 75, 46, 121, 33, 64, 146, 180, 180, 186, 172, 153, 186, 196, 4, 144, 178, 72,  
138, 153,  
41, 149, 34, 66, 105, 146, 178, 36, 180, 17, 169, 68, 68, 138, 98, 146, 148, 197, 82,  
66,  
66, 90, 255, 36, 4, 187, 199, 75, 75, 4, 98, 34, 84, 73, 90, 84, 38, 18, 161, 32,  
74, 68, 5, 66, 67, 213, 162, 191, 43, 34, 146, 21, 34, 36, 146, 17, 36, 170, 252, 100,  
153, 185, 20, 159, 242, 171, 161, 82, 75, 41, 153, 185, 187, 178, 75, 68, 153, 74,  
149, 50,  
75, 173, 33, 66, 73, 178, 98, 75, 180, 75, 185, 85, 36, 162, 75, 45, 106, 185, 178,  
164,  
161, 148, 36, 146, 42, 199, 124, 169, 187, 155, 66, 73, 36, 82, 205, 194, 82, 155,  
180, 34,  
82, 178, 169, 164, 41, 146, 75, 169, 153, 41, 178, 74, 82, 247, 245, 146, 82, 75, 154,  
215,  
144, 0, 176, 0, 148, 75, 176, 184, 56, 136, 176, 11, 0, 137, 128, 64, 152, 136, 180,  
12,  
162, 72, 139, 11, 74, 50, 187, 139, 0, 144, 153, 137, 170, 170, 170, 152, 138, 218,  
155, 137,  
128, 185, 0, 69, 187, 0, 132, 0, 9, 64, 185, 152, 152, 0, 72, 136, 0, 136, 180, 0,  
139, 128, 128, 74, 162, 187, 74, 0, 176, 11, 11, 4, 184, 0, 187, 4, 184, 153, 9, 64,  
176, 2, 72, 11, 152, 128, 155, 176, 4, 68, 144, 74, 95, 170, 169, 148, 36, 137, 136,  
187,  
136, 136, 11, 168, 139, 128, 180, 153, 0, 75, 187, 9, 152, 155, 176, 137, 180, 64,  
130, 162,



90, 132, 75, 185, 72, 187, 176, 64, 187, 155, 185, 72, 75, 153, 128, 75, 155, 185,  
108, 75,  
11, 139, 11, 73, 156, 212, 4, 66, 18, 153, 25, 146, 155, 153, 254, 81, 68, 180, 34, 37,  
152, 149, 227, 250, 148, 64, 42, 176, 2, 42, 202, 137, 38, 244, 180, 155, 139, 42,  
130, 162,  
34, 41, 110, 85, 18, 86, 37, 97, 0, 73, 168, 64, 185, 137, 34, 41, 36, 43, 84, 82,  
68, 252, 238, 84, 68, 73, 33, 137, 75, 149, 34, 34, 64, 2, 2, 34, 46, 97, 34, 68,  
36, 34, 180, 148, 172, 83, 196, 182, 36, 42, 153, 42, 82, 65, 155, 66, 73, 185, 180,  
162,  
187, 155, 66, 170, 169, 166, 42, 157, 203, 44, 169, 73, 155, 181, 73, 37, 180, 193,  
148, 68,  
185, 197, 149, 68, 43, 185, 68, 27, 153, 75, 148, 34, 85, 180, 36, 146, 148, 187, 73,  
146,  
153, 148, 171, 161, 82, 205, 220, 169, 146, 153, 37, 68, 180, 68, 69, 82, 66, 43, 153,  
194,  
77, 20, 153, 185, 153, 180, 187, 187, 73, 31, 178, 146, 20, 175, 41, 155, 36, 155,  
180, 170,  
176, 176, 0, 176, 4, 187, 0, 136, 169, 136, 11, 137, 128, 12, 203, 139, 0, 11, 0, 8,  
155, 68, 128, 180, 26, 18, 187, 187, 8, 8, 137, 136, 137, 170, 202, 136, 137, 168,  
137, 149,  
155, 187, 184, 155, 75, 64, 75, 0, 75, 176, 9, 137, 136, 128, 136, 0, 0, 8, 0, 184,  
0, 8, 11, 139, 90, 187, 180, 68, 64, 64, 64, 0, 11, 4, 128, 72, 8, 8, 11, 128,  
144, 8, 105, 36, 75, 187, 72, 176, 132, 0, 0, 153, 152, 154, 187, 155, 73, 73, 139,  
187,  
176, 139, 184, 139, 144, 0, 11, 64, 2, 80, 68, 11, 4, 165, 187, 153, 150, 104, 180, 75,  
137, 9, 0, 4, 176, 176, 68, 66, 8, 128, 0, 144, 180, 47, 169, 66, 72, 11, 82, 176,  
8, 187, 176, 8, 154, 196, 180, 146, 81, 136, 197, 32, 155, 178, 186, 68, 34, 8, 184,  
36,  
153, 185, 102, 193, 132, 176, 2, 41, 43, 90, 194, 72, 66, 148, 137, 156, 96, 89, 32,  
86,  
34, 68, 193, 42, 84, 34, 98, 170, 64, 148, 169, 148, 41, 153, 68, 187, 68, 156, 34, 84,  
68, 34, 197, 20, 73, 187, 146, 153, 187, 178, 31, 36, 68, 34, 187, 82, 69, 46, 210, 80,

36, 73, 176, 155, 186, 89, 164, 36, 210, 157, 25, 47, 49, 73, 180, 185, 68, 185, 66,  
180,  
43, 180, 180, 37, 91, 79, 165, 173, 169, 39, 27, 68, 153, 68, 73, 155, 153, 246, 155,  
153,  
73, 146, 145, 82, 75, 155, 74, 210, 178, 171, 178, 159, 105, 185, 84, 68, 187, 178,  
153, 146,  
153, 245, 34, 154, 98, 170, 202, 105, 159, 43, 66, 66, 68, 75, 36, 180, 66, 68, 41, 34,  
150, 252, 41, 153, 153, 185, 187, 73, 43, 146, 68, 155, 75, 148, 187, 185, 73, 187,  
187, 36,  
9, 176, 11, 176, 64, 11, 64, 11, 185, 8, 32, 11, 136, 129, 80, 187, 11, 0, 144, 8,  
132, 64, 41, 178, 16, 187, 185, 98, 139, 136, 128, 185, 153, 154, 201, 139, 153, 137,  
136, 137,  
139, 9, 0, 75, 184, 0, 11, 128, 176, 176, 11, 162, 184, 128, 144, 0, 0, 136, 8, 32,  
72, 4, 137, 11, 178, 185, 64, 64, 0, 0, 11, 178, 137, 2, 153, 139, 187, 75, 0, 64,  
153, 176, 153, 171, 72, 128, 89, 8, 40, 4, 68, 176, 11, 144, 152, 137, 201, 0, 4, 11,  
139, 8, 4, 176, 155, 128, 73, 75, 11, 68, 64, 75, 187, 198, 187, 136, 143, 27, 180, 66,  
36, 155, 187, 144, 0, 0, 68, 64, 176, 37, 187, 176, 8, 167, 248, 66, 185, 187, 184,  
187,  
149, 40, 68, 2, 187, 4, 136, 184, 146, 139, 41, 34, 72, 68, 130, 146, 36, 73, 185, 148,  
245, 2, 37, 36, 146, 187, 66, 178, 75, 90, 221, 169, 73, 153, 132, 148, 41, 85, 36,  
195,  
41, 68, 66, 34, 148, 69, 73, 33, 41, 66, 172, 250, 34, 176, 36, 68, 176, 79, 194, 43,  
9, 41, 42, 250, 155, 146, 223, 186, 185, 43, 255, 36, 66, 36, 4, 90, 137, 47, 203, 33,  
68, 9, 176, 181, 153, 153, 153, 41, 85, 37, 153, 65, 49, 34, 153, 66, 42, 187, 42, 164,  
34, 37, 148, 41, 169, 155, 153, 34, 153, 154, 149, 41, 146, 75, 185, 153, 153, 41, 36,  
36,  
186, 155, 185, 68, 36, 187, 68, 82, 76, 122, 37, 34, 84, 47, 107, 66, 75, 177, 91, 37,  
34, 89, 66, 202, 217, 154, 169, 171, 147, 25, 187, 37, 36, 73, 178, 73, 148, 43, 73,  
34,  
38, 22, 202, 197, 155, 185, 180, 180, 178, 34, 178, 187, 75, 66, 153, 187, 148, 68,  
185, 171,  
187, 128, 0, 40, 64, 8, 176, 11, 8, 192, 187, 185, 8, 128, 64, 75, 8, 128, 136, 180,

73, 0, 2, 139, 68, 155, 136, 153, 187, 136, 187, 144, 178, 153, 153, 187, 187, 154,  
155, 184,  
11, 185, 4, 11, 176, 11, 176, 148, 176, 72, 176, 148, 11, 176, 144, 0, 0, 128, 8, 75,  
0, 0, 11, 128, 4, 139, 4, 64, 68, 0, 2, 41, 0, 0, 147, 137, 64, 128, 194, 187,  
153, 137, 75, 176, 8, 68, 75, 75, 144, 0, 11, 128, 176, 9, 229, 144, 41, 176, 8, 187,  
132, 8, 184, 155, 4, 155, 137, 146, 0, 187, 11, 155, 11, 153, 139, 187, 180, 155, 132,  
37,  
98, 176, 152, 136, 146, 64, 64, 2, 72, 161, 184, 144, 153, 172, 170, 73, 155, 148, 75,  
185,  
186, 187, 176, 178, 144, 130, 176, 137, 180, 176, 43, 82, 32, 34, 41, 36, 68, 75, 184,  
149,  
214, 68, 66, 89, 146, 132, 187, 181, 72, 42, 227, 34, 153, 196, 82, 153, 130, 34, 66,  
95,  
36, 66, 81, 32, 66, 148, 154, 77, 50, 169, 253, 124, 36, 180, 137, 34, 64, 10, 48, 92,  
69, 201, 153, 34, 68, 146, 209, 153, 180, 91, 66, 68, 192, 41, 75, 68, 0, 42, 36, 68,  
68, 154, 187, 64, 180, 153, 178, 42, 69, 84, 156, 162, 100, 69, 85, 187, 170, 28, 60,  
90,  
69, 81, 42, 156, 98, 180, 154, 149, 164, 42, 162, 34, 66, 73, 34, 155, 154, 106, 73,  
153,  
89, 187, 185, 73, 185, 180, 178, 68, 198, 255, 102, 34, 41, 38, 50, 82, 68, 37, 185,  
75,  
68, 73, 188, 229, 66, 34, 155, 187, 74, 41, 180, 153, 41, 36, 148, 41, 66, 34, 187,  
154,  
90, 169, 41, 170, 18, 146, 69, 73, 86, 36, 73, 75, 146, 68, 187, 180, 155, 41, 187, 43,  
176, 0, 9, 152, 0, 0, 0, 0, 8, 176, 187, 185, 128, 148, 0, 11, 8, 128, 0, 136,  
176, 68, 11, 176, 0, 1, 187, 184, 11, 8, 9, 69, 18, 155, 185, 75, 0, 66, 152, 185,  
73, 132, 180, 176, 0, 8, 187, 170, 176, 187, 0, 64, 128, 8, 176, 72, 0, 0, 136, 0,  
184, 0, 152, 11, 180, 187, 0, 180, 0, 176, 77, 201, 0, 139, 185, 187, 152, 139, 41, 64,  
72, 152, 187, 176, 0, 0, 184, 0, 64, 180, 0, 128, 139, 185, 218, 162, 0, 0, 187, 136,  
68, 75, 178, 176, 0, 137, 154, 137, 148, 139, 144, 184, 0, 137, 180, 187, 180, 185,  
180, 32,  
32, 64, 128, 0, 178, 176, 64, 149, 89, 144, 184, 164, 178, 169, 137, 146, 36, 4, 68,  
155,

11, 187, 152, 159, 85, 34, 146, 152, 8, 185, 187, 36, 144, 72, 132, 64, 64, 64, 187,  
137,  
164, 86, 146, 49, 175, 153, 4, 4, 34, 146, 146, 153, 154, 114, 66, 68, 137, 36, 68, 36,  
73, 146, 86, 66, 9, 130, 43, 154, 249, 130, 92, 106, 68, 66, 155, 85, 82, 154, 20, 193,  
82, 36, 75, 68, 69, 84, 4, 132, 185, 68, 64, 191, 114, 18, 69, 66, 178, 162, 153, 68,  
2, 152, 64, 36, 68, 165, 185, 165, 153, 170, 163, 26, 41, 84, 41, 185, 202, 115, 202,  
153,  
180, 148, 185, 173, 50, 148, 241, 145, 154, 198, 213, 41, 153, 155, 42, 75, 180, 91,  
73, 36,  
164, 187, 180, 36, 185, 180, 74, 185, 162, 68, 146, 75, 187, 66, 153, 148, 68, 66,  
153, 75,  
68, 185, 155, 82, 74, 84, 185, 43, 185, 66, 180, 153, 207, 89, 164, 41, 33, 187, 75,  
68,  
66, 41, 153, 209, 169, 36, 146, 187, 148, 41, 69, 155, 180, 153, 75, 187, 187, 73,  
187, 185,  
180, 11, 137, 128, 128, 0, 180, 128, 72, 136, 176, 128, 176, 187, 0, 68, 139, 0, 9, 43,  
0, 64, 176, 136, 8, 154, 152, 128, 8, 11, 0, 191, 108, 171, 187, 64, 64, 32, 187, 37,  
42, 172, 153, 187, 32, 0, 8, 136, 184, 187, 180, 139, 11, 8, 128, 0, 4, 0, 128, 11,  
0, 128, 136, 11, 178, 0, 68, 144, 187, 128, 92, 144, 137, 8, 153, 72, 128, 68, 176, 4,  
128, 8, 136, 144, 0, 0, 8, 75, 4, 11, 4, 187, 176, 180, 75, 66, 64, 153, 132, 155,  
11, 155, 180, 128, 0, 72, 152, 187, 9, 156, 24, 0, 176, 4, 180, 4, 139, 184, 180, 64,  
187, 187, 4, 11, 36, 75, 154, 89, 43, 187, 152, 180, 184, 136, 153, 68, 152, 187, 187,  
180,  
64, 184, 8, 156, 165, 58, 148, 64, 0, 185, 68, 148, 68, 44, 75, 4, 64, 75, 75, 185,  
193, 220, 185, 37, 146, 180, 68, 4, 154, 88, 43, 153, 138, 36, 66, 34, 154, 196, 34, 5,  
68, 136, 36, 42, 32, 4, 184, 154, 152, 146, 69, 201, 73, 5, 68, 37, 89, 130, 162, 162,  
66, 82, 68, 66, 68, 73, 168, 153, 75, 153, 37, 140, 53, 84, 34, 43, 145, 36, 155, 11,  
178, 144, 69, 32, 11, 185, 132, 33, 169, 175, 250, 193, 84, 21, 75, 153, 185, 21, 41,  
155,  
187, 178, 73, 42, 170, 34, 162, 153, 186, 252, 252, 68, 73, 155, 165, 68, 180, 25,  
154, 34,  
37, 69, 36, 85, 185, 178, 75, 145, 153, 146, 66, 68, 154, 41, 178, 34, 153, 41, 146,  
82,

66, 75, 73, 186, 34, 43, 74, 187, 149, 34, 73, 185, 238, 195, 201, 153, 180, 42, 162,  
18,  
68, 146, 180, 148, 180, 155, 187, 153, 185, 185, 185, 187, 68, 155, 187, 187, 187,  
75, 187, 180,  
66, 9, 176, 8, 132, 144, 152, 64, 152, 136, 139, 8, 64, 4, 8, 130, 187, 0, 136, 155,  
139, 11, 72, 176, 128, 0, 9, 154, 136, 4, 8, 180, 34, 176, 11, 41, 68, 68, 128, 180,  
170, 231, 251, 11, 0, 176, 176, 136, 176, 0, 0, 8, 11, 8, 176, 0, 75, 8, 5, 136,  
176, 136, 136, 153, 176, 8, 153, 176, 8, 128, 186, 168, 68, 8, 157, 171, 43, 153, 187,  
4,  
0, 187, 184, 139, 0, 128, 176, 64, 144, 11, 185, 37, 155, 139, 187, 176, 4, 155, 8,  
155,  
36, 176, 4, 0, 8, 136, 184, 128, 180, 128, 75, 178, 73, 36, 4, 0, 137, 139, 0, 68,  
4, 178, 36, 155, 69, 187, 138, 36, 184, 180, 160, 11, 8, 9, 153, 169, 75, 187, 186, 41,  
185, 185, 9, 178, 10, 114, 41, 8, 155, 128, 68, 195, 164, 243, 41, 148, 9, 146, 75, 66,  
172, 18, 139, 164, 66, 64, 68, 33, 73, 36, 0, 4, 66, 148, 9, 149, 153, 72, 68, 2,  
32, 164, 73, 41, 68, 178, 11, 152, 148, 178, 33, 226, 73, 9, 4, 68, 185, 186, 164, 164,  
36, 82, 98, 84, 34, 37, 155, 10, 148, 171, 148, 154, 104, 34, 98, 41, 174, 194, 68, 73,  
73, 132, 38, 154, 154, 153, 36, 197, 153, 199, 124, 195, 82, 20, 184, 172, 153, 164,  
75, 187,  
155, 68, 73, 90, 207, 202, 84, 154, 60, 172, 49, 20, 148, 36, 194, 73, 149, 36, 37, 34,  
34, 147, 20, 34, 42, 180, 180, 166, 169, 153, 176, 75, 75, 66, 90, 162, 43, 33, 35, 84,  
182, 25, 203, 178, 36, 155, 187, 187, 180, 34, 69, 185, 165, 247, 218, 153, 180, 85,  
34, 49,  
185, 187, 180, 69, 43, 194, 187, 153, 171, 92, 144, 64, 9, 148, 155, 187, 75, 154, 66,  
185,  
64, 41, 176, 0, 184, 128, 139, 32, 128, 184, 8, 0, 176, 0, 176, 0, 0, 8, 139, 185,  
136, 9, 0, 152, 176, 0, 136, 184, 0, 180, 128, 128, 74, 0, 128, 11, 11, 68, 0, 11,  
136, 205, 169, 139, 176, 0, 0, 73, 139, 176, 0, 176, 0, 136, 187, 0, 0, 0, 132, 137,  
0, 136, 152, 152, 72, 8, 9, 153, 139, 11, 8, 136, 32, 184, 148, 149, 155, 43, 0, 4,  
32, 152, 8, 128, 136, 153, 176, 176, 139, 66, 32, 148, 0, 8, 64, 176, 0, 152, 180, 43,  
155, 0, 11, 185, 152, 139, 0, 128, 176, 0, 88, 13, 25, 148, 64, 9, 153, 137, 4, 2,  
2, 36, 11, 153, 75, 187, 139, 180, 75, 11, 250, 170, 4, 180, 185, 155, 148, 73, 76, 91,

187, 139, 139, 187, 40, 164, 153, 9, 152, 185, 185, 66, 41, 156, 25, 155, 72, 5, 89,  
133,  
17, 106, 66, 180, 32, 187, 34, 33, 41, 176, 84, 0, 36, 148, 73, 146, 149, 34, 139, 4,  
64, 36, 37, 68, 75, 144, 153, 9, 66, 9, 33, 242, 36, 0, 68, 36, 11, 4, 148, 85,  
81, 74, 83, 52, 10, 230, 89, 169, 137, 162, 73, 100, 148, 66, 34, 40, 79, 36, 176, 34,  
170, 153, 9, 73, 34, 36, 66, 106, 89, 175, 250, 247, 18, 68, 148, 85, 69, 41, 187, 153,  
150, 41, 153, 156, 119, 250, 146, 68, 170, 153, 68, 66, 145, 162, 84, 26, 169, 65, 36,  
46,  
226, 69, 34, 69, 41, 178, 68, 186, 169, 144, 64, 74, 155, 187, 82, 89, 154, 86, 83, 21,  
37, 164, 101, 69, 82, 18, 73, 66, 185, 178, 166, 42, 81, 90, 155, 148, 148, 187, 75,  
164,  
153, 178, 187, 162, 34, 41, 153, 74, 172, 197, 155, 37, 73, 69, 68, 75, 153, 153, 149,  
185,  
180, 185, 11, 138, 168, 128, 139, 11, 187, 11, 139, 176, 11, 11, 8, 0, 8, 8, 11, 8,  
136, 128, 0, 11, 8, 0, 11, 64, 8, 185, 176, 2, 4, 32, 160, 187, 184, 36, 8, 139,  
9, 154, 152, 138, 128, 0, 137, 8, 11, 128, 0, 64, 176, 11, 0, 0, 128, 0, 136, 128,  
8, 137, 174, 218, 8, 128, 180, 43, 8, 64, 9, 137, 68, 187, 184, 156, 192, 64, 75, 139,  
4, 187, 0, 75, 176, 130, 187, 8, 11, 187, 187, 11, 185, 152, 176, 11, 11, 98, 185, 144,  
9, 0, 66, 75, 185, 153, 68, 185, 144, 11, 4, 73, 75, 68, 0, 4, 80, 184, 75, 181,  
11, 68, 66, 180, 73, 155, 187, 152, 153, 187, 185, 185, 180, 72, 138, 187, 185, 187,  
178, 74,  
73, 178, 178, 36, 137, 148, 34, 186, 152, 64, 9, 68, 178, 44, 26, 153, 73, 146, 43,  
186,  
18, 89, 163, 73, 66, 75, 65, 97, 72, 132, 82, 68, 180, 148, 161, 73, 68, 185, 169, 64,  
68, 50, 245, 75, 180, 148, 155, 68, 111, 147, 34, 180, 85, 36, 74, 68, 164, 34, 89, 82,  
82, 66, 38, 18, 36, 82, 154, 34, 176, 42, 73, 82, 164, 33, 108, 117, 164, 68, 153, 197,  
184, 153, 153, 43, 68, 69, 37, 22, 172, 92, 175, 22, 100, 73, 153, 170, 34, 153, 185,  
41,  
154, 146, 153, 154, 222, 202, 153, 36, 148, 155, 68, 75, 149, 225, 153, 194, 185, 36,  
21, 159,  
57, 148, 73, 38, 202, 82, 187, 185, 11, 176, 153, 148, 187, 41, 79, 172, 169, 169,  
148, 173,

82, 171, 34, 180, 69, 36, 180, 73, 185, 75, 195, 82, 34, 34, 162, 187, 43, 187, 185,  
146,  
43, 178, 146, 36, 34, 163, 164, 73, 68, 69, 144, 68, 37, 153, 73, 75, 153, 146, 26,  
180,  
4, 153, 139, 158, 56, 176, 187, 0, 8, 75, 146, 187, 187, 11, 0, 0, 137, 139, 36, 185,  
184, 176, 187, 0, 0, 0, 139, 136, 0, 73, 64, 148, 8, 8, 187, 0, 128, 60, 153, 176,  
11, 153, 136, 128, 128, 128, 136, 0, 139, 185, 36, 64, 0, 0, 8, 75, 64, 139, 0, 8,  
40, 187, 157, 250, 137, 152, 140, 249, 0, 73, 153, 146, 139, 176, 9, 175, 242, 0, 80,  
139,  
180, 155, 176, 0, 176, 132, 36, 4, 0, 11, 185, 187, 187, 152, 148, 11, 9, 50, 74, 72,  
0, 180, 11, 0, 73, 155, 146, 139, 0, 139, 4, 73, 144, 41, 128, 0, 69, 75, 187, 2,  
89, 187, 70, 136, 187, 68, 75, 168, 73, 43, 187, 185, 137, 139, 41, 75, 187, 178, 176,  
187,  
74, 68, 128, 153, 155, 0, 73, 81, 4, 180, 148, 75, 36, 66, 36, 155, 169, 66, 180, 66,  
37, 25, 149, 153, 43, 9, 178, 148, 43, 73, 36, 66, 153, 176, 95, 73, 152, 153, 152,  
153,  
155, 34, 36, 153, 178, 34, 43, 43, 252, 66, 34, 180, 21, 34, 138, 34, 34, 34, 153, 197,  
99, 146, 42, 41, 180, 36, 89, 84, 176, 34, 68, 34, 41, 188, 95, 230, 197, 187, 66, 153,  
148, 153, 170, 153, 154, 176, 47, 42, 146, 170, 154, 22, 162, 154, 153, 161, 66, 75,  
187, 82,  
156, 245, 34, 159, 204, 169, 169, 187, 185, 75, 187, 73, 22, 26, 73, 100, 153, 185,  
68, 34,  
169, 155, 68, 74, 69, 90, 180, 178, 18, 155, 198, 20, 171, 180, 180, 247, 250, 44,  
164, 156,  
85, 180, 66, 36, 178, 75, 180, 69, 153, 155, 181, 150, 41, 73, 148, 187, 153, 187,  
149, 68,  
34, 37, 97, 22, 34, 38, 36, 187, 68, 69, 171, 178, 169, 148, 73, 68, 178, 148, 33, 73,  
185, 136, 148, 157, 169, 176, 176, 176, 139, 137, 237, 128, 152, 8, 128, 0, 8, 74,  
225, 155,  
187, 75, 171, 0, 136, 0, 57, 136, 8, 11, 4, 0, 128, 176, 9, 187, 75, 153, 0, 128,  
176, 136, 136, 136, 0, 8, 136, 11, 153, 11, 197, 0, 11, 185, 0, 0, 36, 11, 11, 128,  
169, 152, 154, 154, 28, 170, 162, 41, 191, 43, 75, 4, 132, 11, 137, 187, 144, 139,  
144, 11,

155, 0, 11, 176, 184, 73, 187, 0, 137, 144, 75, 154, 59, 153, 148, 139, 9, 68, 73, 75,  
128, 0, 8, 128, 154, 148, 166, 137, 128, 4, 130, 41, 164, 43, 152, 0, 178, 185, 176,  
144,  
155, 75, 11, 36, 189, 146, 146, 155, 185, 152, 146, 36, 137, 152, 153, 155, 132, 73,  
187, 8,  
148, 68, 187, 156, 196, 66, 34, 243, 73, 75, 75, 152, 68, 64, 73, 185, 36, 72, 8, 148,  
68, 132, 90, 153, 130, 36, 169, 75, 73, 180, 75, 170, 171, 180, 43, 82, 187, 66, 164,  
89,  
153, 157, 82, 72, 66, 146, 21, 73, 32, 66, 68, 4, 42, 41, 47, 101, 68, 150, 137, 44,  
243, 36, 64, 36, 155, 34, 41, 176, 68, 66, 146, 66, 155, 155, 37, 194, 170, 137, 68,  
68,  
139, 178, 154, 249, 172, 27, 149, 82, 34, 185, 90, 247, 202, 181, 89, 68, 185, 155,  
185, 82,  
182, 21, 90, 163, 26, 169, 212, 187, 73, 74, 73, 185, 37, 34, 153, 34, 155, 148, 187,  
178,  
169, 180, 43, 75, 146, 180, 155, 186, 169, 148, 146, 155, 153, 34, 187, 207, 169, 83,  
36, 68,  
89, 34, 37, 36, 180, 68, 148, 65, 43, 153, 146, 65, 149, 68, 169, 146, 54, 169, 73, 68,  
68, 37, 102, 37, 68, 36, 153, 187, 75, 73, 34, 180, 68, 187, 187, 43, 149, 105, 37, 75,  
152, 8, 184, 0, 153, 187, 187, 8, 184, 168, 204, 64, 73, 136, 0, 8, 11, 10, 58, 144,  
139, 176, 176, 128, 184, 72, 202, 128, 136, 0, 128, 72, 0, 8, 148, 136, 176, 73, 176,  
4,  
184, 136, 128, 152, 8, 11, 0, 9, 8, 152, 165, 64, 187, 177, 64, 0, 136, 139, 11, 11,  
137, 137, 153, 170, 222, 221, 169, 155, 143, 152, 136, 0, 128, 11, 144, 139, 0, 139,  
91, 187,  
0, 11, 144, 8, 184, 0, 176, 139, 137, 0, 0, 137, 107, 34, 187, 176, 0, 148, 34, 155,  
139, 8, 184, 181, 41, 181, 20, 9, 0, 144, 47, 201, 164, 176, 0, 68, 4, 148, 187, 137,  
136, 11, 144, 194, 159, 146, 34, 171, 180, 155, 75, 153, 184, 152, 153, 187, 185,  
160, 187, 155,  
43, 41, 153, 153, 41, 2, 41, 197, 64, 66, 41, 84, 64, 4, 83, 154, 250, 185, 187, 82,  
43, 4, 82, 153, 185, 187, 36, 171, 178, 74, 171, 180, 155, 68, 184, 160, 180, 69, 184,  
138,  
82, 12, 84, 68, 132, 2, 54, 82, 25, 130, 4, 73, 99, 45, 83, 26, 33, 66, 153, 145,



194, 146, 36, 64, 11, 130, 41, 187, 68, 36, 66, 75, 34, 153, 34, 173, 217, 192, 187,  
155,  
44, 152, 178, 124, 82, 41, 139, 68, 36, 178, 202, 215, 250, 146, 37, 66, 73, 155, 41,  
180,  
153, 146, 75, 162, 169, 148, 148, 155, 178, 70, 91, 180, 41, 34, 187, 33, 75, 37, 148,  
185,  
146, 77, 25, 73, 66, 178, 153, 36, 73, 153, 187, 75, 153, 82, 68, 154, 153, 149, 36,  
153,  
34, 73, 66, 155, 74, 68, 149, 181, 148, 153, 73, 41, 178, 41, 34, 180, 205, 21, 185,  
68,  
36, 68, 82, 34, 37, 84, 43, 43, 75, 66, 36, 155, 36, 155, 153, 155, 246, 109, 41, 153,  
153, 128, 11, 73, 9, 139, 11, 73, 185, 43, 68, 187, 176, 8, 8, 139, 133, 8, 152, 128,  
128, 0, 136, 128, 85, 144, 152, 186, 144, 0, 132, 176, 139, 137, 128, 11, 176, 28,  
136, 128,  
11, 136, 0, 8, 132, 64, 184, 0, 4, 139, 184, 8, 139, 176, 0, 0, 8, 64, 184, 0,  
11, 136, 128, 186, 205, 221, 162, 154, 250, 136, 136, 176, 0, 136, 128, 11, 0, 4, 32,  
176,  
176, 0, 75, 64, 11, 0, 187, 187, 185, 11, 184, 8, 166, 36, 176, 0, 187, 187, 73, 75,  
176, 176, 11, 69, 41, 81, 101, 76, 184, 128, 180, 72, 64, 136, 128, 11, 2, 84, 11, 180,  
0, 8, 152, 41, 139, 185, 43, 187, 181, 155, 187, 178, 180, 139, 180, 176, 11, 11, 74,  
57,  
196, 11, 185, 152, 180, 178, 75, 32, 41, 156, 148, 178, 80, 4, 172, 68, 250, 178, 185,  
79,  
25, 180, 184, 155, 146, 73, 171, 148, 180, 178, 187, 139, 132, 4, 18, 18, 20, 41, 155,  
185,  
153, 181, 66, 197, 155, 178, 17, 34, 153, 148, 152, 34, 193, 146, 156, 89, 66, 193,  
165, 66,  
162, 86, 34, 68, 32, 128, 156, 196, 73, 148, 73, 73, 145, 146, 34, 199, 234, 18, 41,  
68,  
170, 41, 148, 164, 73, 161, 153, 144, 32, 149, 85, 175, 201, 187, 68, 36, 75, 180,  
155, 68,  
153, 148, 37, 178, 153, 73, 155, 66, 36, 153, 178, 75, 69, 36, 73, 153, 153, 43, 148,  
153,

153, 76, 162, 169, 180, 34, 43, 155, 153, 155, 186, 20, 153, 36, 155, 153, 187, 180,  
155, 148,  
36, 41, 185, 185, 36, 154, 37, 36, 85, 75, 180, 181, 75, 43, 75, 180, 193, 66, 178,  
155,  
42, 17, 43, 68, 149, 82, 242, 75, 155, 89, 171, 75, 73, 43, 153, 68, 42, 146, 66, 186,  
128, 128, 176, 0, 187, 128, 187, 0, 10, 128, 176, 176, 176, 0, 128, 0, 144, 187, 136,  
0,  
152, 66, 152, 0, 170, 68, 8, 128, 132, 146, 89, 136, 136, 153, 176, 139, 11, 69, 144,  
9,  
8, 128, 187, 9, 139, 0, 148, 9, 2, 176, 128, 176, 187, 11, 153, 176, 4, 136, 184, 0,  
152, 0, 9, 10, 175, 201, 163, 73, 223, 168, 187, 0, 153, 132, 184, 0, 0, 132, 9, 89,  
0, 8, 187, 144, 132, 128, 11, 176, 0, 0, 136, 136, 154, 180, 176, 0, 184, 64, 180, 8,  
176, 136, 41, 64, 184, 146, 33, 68, 176, 169, 11, 0, 0, 187, 0, 81, 73, 128, 132, 187,  
11, 11, 178, 138, 153, 148, 73, 185, 185, 72, 66, 187, 64, 187, 11, 64, 139, 2, 34,  
105,  
32, 187, 72, 168, 180, 66, 72, 132, 41, 156, 187, 178, 16, 68, 36, 180, 43, 146, 44,  
193,  
66, 74, 184, 178, 153, 41, 187, 180, 43, 144, 11, 187, 178, 66, 49, 41, 155, 178, 36,  
34,  
153, 146, 172, 81, 82, 144, 145, 25, 9, 42, 89, 74, 18, 91, 148, 146, 146, 231, 81, 42,  
194, 37, 34, 68, 152, 9, 74, 25, 146, 169, 64, 73, 146, 68, 34, 44, 218, 170, 221, 66,  
146, 73, 42, 68, 11, 38, 34, 130, 20, 148, 42, 255, 41, 169, 162, 147, 164, 185, 75,  
185,  
169, 185, 34, 187, 43, 69, 43, 187, 186, 153, 162, 37, 74, 42, 73, 84, 146, 153, 75,  
185,  
75, 74, 146, 155, 148, 146, 155, 181, 250, 187, 146, 154, 153, 180, 180, 180, 153,  
34, 155, 73,  
68, 149, 66, 65, 36, 158, 242, 66, 68, 187, 69, 65, 84, 36, 73, 165, 44, 153, 75, 148,  
41, 99, 84, 148, 153, 181, 20, 75, 73, 148, 154, 187, 185, 146, 153, 153, 153, 38,  
107, 153,  
9, 152, 128, 8, 4, 11, 64, 176, 185, 144, 0, 0, 0, 0, 8, 176, 128, 152, 128,  
8, 176, 0, 136, 9, 0, 8, 186, 137, 4, 8, 176, 0, 184, 68, 11, 0, 73, 68, 153,  
0, 72, 0, 128, 180, 0, 0, 0, 65, 32, 176, 4, 176, 4, 8, 8, 184, 187, 0, 128,

169, 136, 147, 153, 8, 154, 32, 64, 169, 136, 132, 0, 0, 0, 11, 0, 128, 128, 10, 162,  
4, 144, 176, 11, 4, 11, 4, 176, 75, 128, 139, 138, 187, 176, 0, 139, 153, 148, 0, 0,  
8, 11, 72, 0, 139, 173, 100, 11, 176, 0, 11, 176, 4, 136, 8, 153, 152, 128, 176, 152,  
139, 148, 155, 152, 159, 242, 154, 184, 187, 155, 164, 185, 75, 133, 64, 187, 155,  
77, 203, 139,  
185, 34, 153, 171, 2, 32, 148, 82, 153, 169, 36, 68, 0, 180, 148, 75, 84, 68, 42, 82,  
185, 144, 155, 68, 186, 74, 47, 72, 148, 152, 187, 65, 74, 68, 42, 137, 164, 66, 152,  
172,  
41, 36, 175, 16, 146, 40, 66, 43, 187, 175, 104, 36, 68, 32, 155, 75, 154, 207, 34,  
154,  
209, 165, 34, 68, 149, 153, 2, 73, 37, 36, 148, 90, 153, 34, 66, 84, 165, 149, 223,  
194,  
148, 73, 152, 148, 68, 74, 34, 149, 41, 36, 153, 165, 73, 246, 90, 154, 153, 75, 153,  
178,  
162, 37, 155, 187, 146, 18, 36, 185, 187, 146, 25, 186, 169, 251, 73, 169, 187, 169,  
148, 185,  
75, 176, 153, 75, 185, 89, 155, 177, 252, 75, 154, 157, 194, 146, 68, 153, 161, 68,  
153, 148,  
185, 146, 178, 187, 187, 156, 25, 146, 82, 180, 34, 146, 82, 148, 68, 37, 66, 84, 66,  
84,  
146, 42, 153, 187, 68, 43, 75, 185, 156, 155, 178, 187, 154, 73, 153, 161, 25, 73,  
185, 66,  
8, 136, 153, 155, 8, 137, 176, 184, 0, 68, 144, 176, 0, 0, 128, 8, 8, 180, 152, 128,  
8, 128, 0, 0, 0, 139, 8, 8, 0, 4, 64, 72, 176, 8, 192, 0, 144, 0, 64, 187,  
0, 68, 160, 152, 187, 139, 176, 9, 64, 136, 128, 11, 0, 176, 4, 0, 178, 11, 132, 152,  
136, 184, 9, 176, 11, 137, 9, 68, 185, 152, 132, 72, 187, 184, 0, 0, 0, 0, 128, 9,  
176, 176, 0, 11, 64, 0, 64, 4, 18, 0, 8, 152, 8, 0, 185, 137, 187, 139, 176, 64,  
176, 15, 25, 8, 155, 68, 36, 0, 180, 0, 144, 132, 64, 128, 2, 8, 91, 4, 4, 186,  
160, 136, 64, 73, 167, 226, 146, 68, 75, 185, 75, 68, 157, 236, 100, 139, 75, 149, 68,  
187,  
68, 41, 152, 152, 184, 185, 221, 239, 252, 220, 97, 152, 8, 187, 36, 68, 36, 64, 180,  
2,

152, 180, 245, 72, 130, 164, 170, 66, 185, 133, 80, 180, 66, 180, 169, 170, 153, 185,  
146, 36,  
132, 88, 180, 64, 146, 2, 148, 73, 34, 146, 33, 85, 68, 152, 68, 41, 137, 165, 34, 156,  
241, 149, 197, 68, 149, 82, 70, 42, 115, 36, 43, 137, 137, 5, 82, 25, 153, 175, 202,  
153,  
75, 4, 144, 73, 73, 33, 153, 69, 66, 146, 73, 153, 153, 169, 73, 153, 36, 75, 68, 41,  
84, 43, 153, 185, 187, 82, 34, 153, 187, 26, 153, 153, 162, 34, 180, 68, 153, 181,  
186, 34,  
148, 198, 42, 73, 185, 186, 187, 148, 43, 41, 155, 162, 41, 185, 146, 153, 19, 36,  
180, 68,  
155, 34, 66, 185, 187, 66, 90, 68, 36, 41, 82, 162, 153, 66, 34, 68, 43, 153, 185, 148,  
34, 68, 178, 43, 148, 187, 185, 186, 41, 73, 185, 68, 187, 180, 41, 204, 171, 155,  
185, 75,  
0, 8, 187, 139, 8, 187, 8, 11, 155, 8, 136, 221, 0, 0, 0, 0, 128, 139, 152, 11,  
128, 0, 0, 11, 128, 0, 8, 8, 75, 176, 0, 64, 0, 0, 0, 187, 0, 139, 11, 187,  
15, 228, 0, 184, 11, 139, 176, 137, 185, 40, 137, 128, 187, 0, 0, 73, 128, 129, 136,  
137,  
152, 187, 128, 4, 75, 153, 36, 180, 75, 152, 187, 184, 4, 8, 0, 64, 0, 136, 180, 9,  
132, 136, 128, 9, 155, 11, 184, 194, 171, 0, 8, 0, 0, 187, 72, 138, 184, 153, 0, 176,  
4, 180, 136, 11, 0, 128, 0, 4, 32, 176, 180, 4, 155, 8, 176, 4, 187, 68, 176, 42,  
64, 42, 68, 148, 172, 194, 44, 169, 148, 187, 66, 66, 79, 210, 36, 187, 185, 185, 4,  
169,  
130, 20, 185, 136, 153, 185, 95, 126, 234, 197, 64, 136, 68, 41, 11, 85, 178, 34, 11,  
76,  
155, 34, 209, 169, 65, 210, 41, 74, 89, 161, 36, 75, 170, 73, 54, 25, 170, 35, 64, 36,  
89, 42, 18, 153, 148, 153, 176, 148, 144, 66, 51, 81, 34, 64, 66, 69, 66, 66, 153, 147,  
21, 202, 85, 36, 66, 34, 34, 66, 220, 34, 36, 75, 153, 2, 218, 2, 137, 199, 124, 202,  
66, 84, 41, 162, 139, 180, 152, 2, 180, 148, 148, 153, 66, 153, 153, 201, 43, 68, 43,  
83,  
52, 66, 187, 84, 42, 36, 33, 169, 185, 68, 146, 148, 148, 73, 33, 82, 41, 82, 180, 77,  
17, 193, 37, 73, 92, 186, 217, 178, 75, 81, 155, 148, 155, 178, 153, 37, 82, 68, 185,  
34,  
36, 34, 153, 74, 73, 34, 36, 34, 66, 153, 170, 254, 193, 44, 84, 148, 170, 34, 91, 155,

76, 210, 41, 36, 180, 36, 155, 42, 41, 155, 180, 180, 155, 185, 155, 73, 149, 185,  
155, 153,  
152, 139, 176, 176, 187, 139, 0, 176, 128, 137, 184, 197, 64, 2, 0, 132, 11, 8, 0, 128,  
0, 0, 8, 2, 8, 9, 136, 184, 11, 0, 11, 187, 187, 8, 0, 4, 184, 0, 152, 11,  
37, 84, 73, 187, 0, 176, 184, 8, 0, 8, 139, 128, 176, 0, 136, 187, 187, 140, 139, 132,  
176, 185, 210, 0, 185, 73, 4, 187, 180, 180, 11, 139, 9, 72, 9, 36, 176, 9, 176, 9,  
128, 0, 8, 45, 148, 43, 137, 155, 176, 8, 132, 0, 128, 128, 185, 143, 155, 157, 32, 64,  
132, 138, 136, 128, 144, 8, 0, 11, 187, 187, 9, 4, 148, 176, 68, 9, 41, 11, 128, 153,  
221, 34, 43, 136, 161, 172, 197, 34, 153, 187, 184, 180, 41, 43, 155, 185, 187, 2,  
187, 155,  
68, 36, 66, 154, 169, 68, 154, 207, 18, 164, 64, 84, 89, 68, 137, 102, 68, 187, 185,  
158,  
40, 69, 53, 132, 178, 153, 73, 36, 66, 34, 68, 184, 38, 162, 38, 98, 82, 18, 68, 75,  
34, 153, 162, 146, 34, 36, 180, 180, 83, 84, 18, 37, 34, 68, 150, 84, 76, 34, 37, 33,  
206, 236, 146, 34, 178, 198, 34, 75, 146, 153, 155, 84, 152, 137, 68, 66, 154, 175,  
250, 154,  
36, 36, 66, 36, 73, 152, 170, 148, 34, 68, 196, 153, 170, 82, 146, 106, 153, 185, 169,  
35,  
107, 43, 75, 34, 38, 89, 159, 249, 73, 169, 73, 164, 73, 66, 37, 34, 68, 42, 25, 38,  
20, 36, 68, 153, 106, 178, 194, 187, 75, 34, 41, 153, 155, 185, 191, 124, 154, 73, 75,  
154,  
34, 68, 153, 34, 41, 161, 90, 148, 84, 154, 74, 215, 252, 172, 165, 153, 84, 146, 41,  
18,  
165, 252, 153, 34, 68, 165, 82, 187, 155, 154, 178, 187, 187, 147, 153, 187, 185,  
155, 75, 153,  
0, 0, 4, 176, 128, 0, 136, 176, 11, 187, 8, 9, 176, 2, 0, 152, 139, 0, 8, 128,  
8, 128, 0, 0, 0, 9, 176, 9, 0, 128, 0, 136, 72, 185, 137, 128, 0, 0, 128,  
36, 0, 0, 41, 0, 11, 176, 11, 0, 136, 176, 152, 128, 8, 0, 11, 0, 139, 105, 25,  
4, 0, 64, 9, 128, 11, 187, 73, 180, 75, 68, 0, 11, 155, 4, 139, 11, 137, 139, 0,  
8, 176, 11, 186, 74, 105, 136, 139, 176, 8, 128, 0, 11, 184, 187, 184, 139, 153, 176,  
11,  
176, 137, 136, 136, 136, 0, 148, 136, 137, 11, 8, 155, 185, 128, 73, 89, 73, 169, 40,  
146,

221, 68, 187, 146, 93, 92, 99, 245, 34, 64, 11, 178, 153, 75, 168, 4, 128, 186, 155,  
34,  
68, 4, 36, 184, 137, 187, 185, 155, 73, 155, 187, 36, 0, 184, 218, 34, 34, 176, 184,  
159,  
34, 139, 42, 154, 64, 86, 43, 146, 64, 34, 68, 73, 41, 153, 34, 43, 95, 194, 180, 74,  
149, 40, 33, 246, 34, 56, 75, 9, 166, 84, 66, 36, 37, 34, 9, 66, 33, 21, 181, 34,  
173, 236, 165, 84, 41, 86, 66, 72, 68, 184, 44, 68, 152, 140, 148, 144, 72, 42, 169,  
148,  
43, 185, 68, 36, 11, 68, 36, 144, 146, 187, 82, 170, 166, 98, 36, 42, 41, 181, 210, 34,  
82, 41, 68, 36, 166, 169, 146, 68, 146, 37, 17, 75, 68, 69, 82, 84, 153, 74, 101, 178,  
162, 73, 41, 185, 153, 73, 153, 187, 155, 69, 153, 155, 187, 187, 76, 220, 155, 36,  
75, 69,  
244, 34, 153, 17, 170, 169, 42, 146, 148, 146, 34, 95, 220, 153, 43, 41, 43, 178, 37,  
149,  
34, 66, 148, 34, 178, 47, 196, 185, 73, 149, 81, 20, 185, 172, 41, 148, 181, 148, 185,  
169,  
0, 11, 0, 8, 128, 11, 8, 2, 64, 187, 0, 0, 11, 144, 4, 0, 178, 0, 180, 184,  
128, 0, 0, 0, 136, 9, 40, 144, 11, 0, 130, 187, 0, 136, 152, 139, 0, 176, 0, 11,  
0, 176, 0, 36, 0, 187, 139, 128, 0, 128, 75, 68, 0, 8, 0, 0, 0, 2, 26, 218,  
176, 153, 137, 184, 176, 187, 128, 185, 75, 187, 0, 0, 128, 176, 0, 64, 32, 200, 128,  
0,  
73, 128, 8, 176, 9, 153, 136, 75, 139, 0, 176, 128, 184, 8, 4, 176, 72, 11, 180, 11,  
128, 128, 0, 8, 132, 0, 146, 139, 187, 148, 187, 64, 185, 144, 4, 64, 34, 73, 43, 221,  
169, 152, 185, 187, 154, 173, 119, 229, 42, 171, 73, 36, 68, 155, 187, 181, 34, 9,  
155, 2,  
75, 68, 64, 74, 166, 43, 75, 155, 152, 153, 139, 36, 185, 75, 197, 176, 66, 98, 36, 66,  
34, 148, 41, 185, 176, 36, 34, 157, 36, 68, 75, 198, 85, 84, 68, 66, 32, 139, 165, 215,  
164, 155, 154, 44, 82, 244, 32, 75, 66, 36, 68, 69, 85, 34, 0, 133, 68, 146, 81, 66,  
17, 202, 66, 68, 68, 68, 65, 68, 153, 139, 93, 36, 73, 185, 146, 80, 41, 73, 187, 186,  
155, 153, 73, 68, 36, 8, 146, 36, 73, 148, 66, 42, 145, 242, 153, 149, 66, 74, 84, 185,  
146, 37, 36, 148, 73, 153, 155, 155, 34, 37, 21, 73, 41, 37, 36, 43, 75, 185, 34, 36,  
185, 73, 148, 180, 149, 41, 180, 155, 187, 73, 42, 155, 187, 178, 41, 170, 155, 153,  
153, 47,

50, 36, 187, 85, 170, 204, 170, 169, 146, 69, 84, 170, 170, 153, 68, 75, 41, 193, 164,  
84,  
37, 153, 146, 82, 180, 34, 68, 154, 74, 177, 20, 84, 68, 202, 169, 185, 146, 148, 178,  
148,  
8, 8, 75, 184, 128, 64, 188, 165, 184, 0, 136, 136, 176, 0, 11, 75, 144, 11, 132, 64,  
180, 128, 8, 8, 156, 0, 137, 0, 187, 0, 139, 4, 0, 136, 136, 176, 8, 11, 0, 0,  
0, 8, 8, 6, 36, 184, 0, 176, 139, 128, 139, 11, 176, 0, 0, 0, 11, 139, 152, 148,  
0, 146, 155, 11, 36, 73, 139, 185, 139, 128, 0, 11, 128, 0, 68, 176, 128, 136, 128, 0,  
128, 11, 137, 0, 139, 153, 128, 0, 155, 185, 187, 0, 11, 180, 72, 130, 43, 75, 187,  
187,  
0, 8, 139, 137, 180, 32, 184, 180, 11, 0, 72, 155, 155, 184, 146, 0, 74, 75, 128, 28,  
156, 72, 136, 132, 154, 205, 119, 118, 201, 36, 75, 34, 41, 153, 153, 153, 85, 41,  
187, 43,  
42, 73, 75, 180, 182, 155, 180, 43, 68, 178, 64, 144, 0, 64, 68, 41, 37, 108, 68, 82,  
172, 68, 82, 34, 11, 75, 130, 64, 146, 73, 144, 34, 47, 100, 41, 152, 41, 37, 207, 254,  
202, 185, 174, 194, 5, 68, 69, 68, 37, 36, 180, 178, 34, 68, 40, 137, 11, 36, 95, 41,  
75, 154, 146, 68, 68, 64, 149, 146, 66, 185, 83, 82, 75, 153, 148, 84, 178, 153, 137,  
185,  
146, 36, 144, 36, 47, 20, 206, 36, 155, 37, 146, 89, 156, 84, 153, 170, 155, 68, 41,  
155,  
146, 149, 36, 98, 34, 73, 41, 73, 153, 82, 34, 74, 162, 68, 90, 36, 43, 155, 17, 36,  
68, 148, 178, 68, 178, 73, 41, 105, 75, 180, 170, 82, 68, 73, 187, 148, 187, 187, 42,  
156,  
41, 66, 153, 169, 146, 172, 255, 170, 41, 150, 52, 36, 154, 155, 154, 66, 169, 102,  
178, 50,  
148, 153, 173, 218, 36, 162, 34, 73, 153, 180, 42, 242, 73, 161, 75, 185, 68, 148,  
148, 155,  
136, 0, 128, 8, 176, 0, 15, 196, 64, 187, 0, 128, 136, 11, 8, 9, 155, 128, 0, 11,  
0, 0, 136, 0, 161, 64, 180, 0, 8, 136, 9, 64, 153, 8, 0, 11, 139, 155, 8, 0,  
75, 0, 128, 10, 144, 136, 8, 26, 64, 128, 136, 184, 180, 43, 128, 0, 136, 176, 0, 128,  
139, 136, 155, 75, 187, 11, 0, 136, 155, 0, 187, 128, 0, 0, 180, 176, 137, 128, 8, 0,  
0, 75, 0, 136, 0, 0, 11, 152, 168, 144, 0, 128, 0, 64, 144, 137, 0, 176, 8, 187,  
0, 128, 4, 146, 64, 32, 128, 0, 0, 72, 180, 153, 75, 185, 36, 5, 32, 184, 11, 153,

154, 180, 155, 137, 146, 207, 62, 231, 194, 43, 43, 164, 72, 184, 137, 41, 230, 68,  
10, 90,  
214, 144, 82, 43, 178, 75, 187, 185, 68, 187, 11, 180, 180, 185, 38, 170, 146, 36, 0,  
159,  
203, 139, 85, 68, 73, 82, 137, 91, 66, 69, 89, 64, 4, 68, 76, 234, 146, 54, 66, 42,  
40, 34, 181, 41, 36, 64, 197, 32, 73, 32, 139, 73, 66, 34, 4, 84, 68, 34, 165, 34,  
156, 193, 80, 36, 66, 68, 5, 68, 178, 41, 254, 194, 34, 164, 75, 69, 47, 203, 72, 146,  
64, 149, 36, 68, 132, 101, 37, 82, 34, 64, 149, 85, 158, 106, 153, 36, 75, 66, 169,  
185,  
146, 153, 41, 171, 188, 89, 89, 66, 154, 98, 34, 33, 21, 69, 172, 63, 169, 66, 36, 41,  
66, 194, 146, 68, 44, 89, 155, 153, 180, 146, 155, 82, 187, 155, 171, 185, 73, 187,  
84, 66,  
41, 154, 89, 148, 34, 42, 204, 170, 218, 172, 164, 185, 154, 148, 73, 68, 25, 41, 34,  
82,  
66, 153, 46, 217, 18, 33, 36, 153, 193, 41, 159, 226, 185, 42, 187, 185, 155, 171,  
187, 187,  
152, 136, 144, 75, 68, 128, 75, 4, 0, 180, 128, 0, 139, 0, 0, 8, 176, 0, 176, 0,  
176, 136, 8, 8, 148, 187, 0, 0, 9, 8, 8, 64, 72, 8, 152, 8, 185, 136, 10, 176,  
144, 136, 8, 148, 0, 8, 0, 137, 11, 136, 176, 176, 8, 128, 8, 0, 0, 187, 8, 11,  
0, 184, 132, 11, 176, 9, 4, 73, 139, 11, 184, 176, 152, 128, 139, 8, 0, 64, 128, 0,  
180, 36, 180, 75, 4, 11, 185, 136, 139, 128, 9, 4, 0, 184, 0, 128, 64, 11, 176, 187,  
187, 2, 64, 41, 136, 128, 82, 136, 64, 144, 9, 36, 8, 176, 4, 69, 64, 75, 153, 137,  
137, 34, 4, 75, 10, 44, 81, 99, 169, 169, 184, 132, 187, 187, 4, 36, 18, 73, 132, 153,  
85, 155, 185, 187, 187, 176, 69, 34, 185, 140, 42, 148, 66, 128, 154, 136, 169, 187,  
68, 37,  
162, 132, 66, 68, 41, 223, 187, 185, 73, 185, 155, 11, 68, 2, 255, 234, 153, 160, 75,  
186,  
106, 21, 146, 36, 37, 72, 82, 64, 130, 146, 153, 9, 34, 51, 84, 64, 4, 84, 97, 84,  
33, 247, 20, 34, 64, 2, 82, 34, 146, 76, 115, 193, 74, 194, 34, 37, 42, 34, 90, 73,  
144, 73, 41, 11, 10, 43, 178, 5, 66, 148, 146, 44, 153, 148, 76, 84, 153, 154, 146,  
187,  
146, 73, 194, 185, 41, 146, 34, 146, 242, 66, 164, 92, 50, 186, 93, 119, 202, 148, 82,  
41,



76, 113, 75, 185, 154, 204, 43, 187, 187, 75, 187, 34, 148, 148, 201, 43, 146, 74, 52,  
145,  
85, 186, 148, 37, 82, 154, 170, 154, 170, 162, 180, 185, 149, 169, 170, 169, 146, 34,  
34, 82,  
68, 171, 188, 82, 146, 146, 73, 170, 145, 36, 37, 18, 185, 68, 185, 68, 73, 171, 148,  
74,  
0, 8, 0, 64, 11, 176, 153, 0, 75, 176, 0, 176, 144, 10, 176, 8, 187, 0, 0, 8,  
176, 75, 136, 136, 148, 0, 176, 128, 0, 187, 0, 0, 144, 136, 128, 136, 153, 136, 137,  
0,  
187, 128, 0, 0, 0, 8, 0, 128, 176, 8, 11, 128, 180, 139, 128, 185, 64, 11, 11, 144,  
9, 11, 8, 176, 176, 187, 0, 0, 155, 132, 128, 0, 73, 184, 185, 185, 152, 139, 176, 176,  
0, 187, 148, 64, 176, 136, 184, 153, 128, 139, 132, 176, 9, 0, 139, 0, 9, 185, 72, 136,  
139, 178, 41, 176, 152, 4, 24, 128, 132, 64, 185, 4, 4, 180, 0, 176, 40, 187, 174, 34,  
148, 180, 0, 36, 74, 162, 162, 170, 169, 180, 41, 84, 139, 75, 180, 148, 75, 8, 187, 4,  
139, 187, 11, 148, 68, 155, 75, 41, 9, 150, 205, 171, 8, 153, 169, 138, 137, 140, 33,  
153,  
4, 148, 180, 0, 152, 170, 75, 32, 184, 75, 187, 36, 64, 4, 201, 90, 154, 100, 148, 66,  
81, 36, 186, 165, 89, 153, 4, 68, 181, 84, 73, 73, 146, 54, 34, 68, 4, 66, 34, 84,  
42, 54, 68, 34, 68, 180, 34, 73, 66, 154, 220, 197, 36, 82, 144, 84, 44, 152, 36, 154,  
144, 180, 153, 137, 4, 41, 68, 128, 68, 36, 34, 34, 170, 187, 79, 114, 187, 153, 41,  
153,  
73, 155, 44, 26, 197, 172, 34, 34, 38, 34, 149, 37, 89, 153, 170, 252, 169, 185, 185,  
73,  
154, 106, 187, 153, 180, 165, 68, 164, 155, 148, 82, 34, 84, 187, 82, 68, 153, 69, 64,  
154,  
164, 73, 36, 36, 66, 41, 153, 154, 154, 148, 68, 187, 162, 172, 119, 169, 42, 68, 178,  
36,  
73, 153, 34, 149, 201, 36, 73, 82, 156, 105, 36, 75, 180, 187, 153, 180, 36, 107, 185,  
36,  
64, 187, 0, 86, 75, 128, 0, 0, 187, 187, 11, 11, 226, 75, 0, 136, 176, 4, 144, 128,  
0, 0, 8, 136, 11, 4, 0, 0, 0, 144, 0, 8, 152, 136, 0, 8, 137, 155, 153, 138,  
185, 0, 136, 0, 0, 136, 64, 184, 136, 128, 139, 11, 144, 170, 155, 184, 155, 0, 32, 8,  
4, 11, 187, 128, 176, 0, 0, 8, 139, 8, 144, 8, 132, 137, 9, 250, 176, 0, 176, 136,

72, 68, 8, 152, 8, 185, 152, 64, 75, 0, 11, 4, 137, 176, 0, 136, 8, 155, 176, 153,  
128, 180, 155, 4, 11, 132, 136, 64, 4, 9, 180, 36, 32, 0, 75, 64, 155, 184, 141, 88,  
152, 187, 8, 85, 105, 137, 162, 169, 153, 42, 85, 89, 155, 187, 185, 75, 187, 68, 130,  
155,  
176, 176, 11, 8, 178, 204, 154, 42, 41, 185, 178, 171, 187, 153, 155, 73, 154, 157,  
22, 197,  
176, 64, 187, 75, 75, 185, 187, 25, 181, 82, 2, 44, 42, 84, 34, 73, 145, 43, 164, 153,  
162, 70, 155, 159, 114, 40, 75, 154, 81, 82, 2, 153, 34, 207, 34, 34, 73, 37, 34, 36,  
93, 160, 66, 4, 68, 184, 37, 41, 176, 74, 170, 138, 153, 245, 165, 68, 156, 171, 148,  
180,  
165, 154, 152, 152, 130, 40, 0, 162, 84, 64, 153, 90, 170, 155, 68, 64, 165, 41, 148,  
146,  
170, 180, 75, 41, 34, 19, 36, 73, 149, 89, 82, 155, 185, 36, 185, 169, 153, 73, 146,  
155,  
195, 185, 75, 185, 180, 89, 153, 41, 187, 148, 34, 36, 68, 187, 164, 36, 73, 37, 75,  
90,  
37, 180, 43, 73, 69, 68, 33, 82, 198, 73, 148, 148, 146, 170, 222, 169, 153, 149, 162,  
187,  
185, 75, 146, 154, 122, 36, 34, 153, 146, 82, 43, 176, 181, 196, 187, 187, 41, 187,  
181, 66,  
176, 9, 9, 165, 187, 144, 72, 4, 88, 176, 128, 184, 196, 8, 8, 139, 0, 64, 152, 136,  
0, 0, 0, 8, 144, 136, 128, 75, 0, 184, 136, 0, 152, 152, 8, 8, 136, 128, 136, 206,  
144, 0, 136, 0, 176, 0, 9, 136, 128, 0, 8, 75, 0, 42, 176, 15, 96, 8, 155, 136,  
8, 64, 184, 128, 147, 32, 0, 8, 0, 185, 185, 8, 139, 0, 10, 73, 11, 187, 184, 8,  
136, 136, 0, 72, 0, 176, 168, 8, 176, 8, 176, 0, 148, 176, 8, 132, 11, 176, 0, 187,  
8, 0, 139, 2, 155, 2, 68, 64, 149, 176, 68, 36, 64, 11, 64, 64, 75, 185, 66, 139,  
64, 9, 176, 68, 201, 41, 153, 148, 154, 231, 49, 43, 180, 187, 74, 180, 132, 184, 153,  
146,  
148, 176, 128, 185, 64, 241, 180, 41, 153, 188, 25, 184, 187, 153, 66, 152, 76, 82,  
33, 34,  
176, 187, 72, 153, 146, 153, 185, 43, 149, 111, 68, 65, 36, 75, 75, 153, 149, 41, 185,  
170,  
98, 34, 155, 156, 17, 75, 9, 34, 164, 68, 153, 41, 74, 194, 36, 34, 36, 38, 68, 85,

66, 155, 37, 43, 37, 85, 65, 31, 180, 41, 166, 155, 153, 153, 146, 42, 86, 242, 68, 85,  
197, 162, 41, 36, 73, 165, 178, 82, 85, 75, 2, 154, 202, 162, 41, 162, 162, 42, 34,  
145,  
169, 91, 155, 155, 69, 230, 36, 41, 73, 34, 25, 153, 75, 73, 169, 153, 156, 84, 41,  
187,  
34, 153, 68, 185, 73, 170, 148, 187, 187, 180, 180, 66, 73, 75, 180, 36, 81, 36, 149,  
49,  
148, 187, 153, 36, 148, 66, 38, 34, 37, 44, 153, 33, 109, 42, 204, 185, 155, 146, 20,  
180,  
73, 148, 185, 66, 162, 68, 66, 43, 169, 180, 68, 36, 191, 89, 162, 146, 68, 155, 180,  
187,  
176, 184, 140, 139, 68, 0, 184, 0, 88, 8, 11, 0, 0, 176, 128, 187, 8, 0, 139, 136,  
176, 128, 8, 128, 187, 155, 0, 4, 0, 136, 128, 136, 9, 136, 152, 128, 132, 136, 152,  
137,  
155, 136, 11, 136, 11, 136, 132, 152, 176, 0, 139, 11, 0, 64, 64, 130, 152, 0, 136,  
130,  
64, 11, 137, 128, 149, 144, 136, 139, 64, 8, 184, 8, 0, 176, 11, 128, 176, 11, 176, 72,  
8, 184, 176, 155, 176, 187, 153, 139, 11, 8, 187, 64, 68, 11, 136, 144, 176, 11, 187,  
11,  
0, 11, 4, 66, 91, 0, 4, 8, 146, 137, 0, 0, 64, 184, 144, 176, 8, 43, 9, 137,  
32, 75, 187, 4, 180, 176, 73, 187, 149, 22, 20, 41, 187, 184, 180, 73, 153, 207, 41,  
184,  
176, 187, 4, 73, 74, 36, 132, 153, 79, 84, 73, 82, 9, 43, 180, 136, 159, 202, 81, 41,  
154, 187, 75, 152, 36, 184, 74, 139, 36, 34, 34, 155, 68, 32, 148, 152, 148, 187, 2,  
42,  
34, 64, 36, 69, 132, 36, 73, 145, 18, 64, 4, 4, 170, 146, 162, 85, 82, 2, 82, 34,  
144, 36, 9, 128, 47, 18, 69, 245, 148, 73, 172, 148, 163, 105, 153, 42, 156, 162, 36,  
41,  
198, 146, 171, 155, 187, 148, 180, 186, 81, 42, 185, 42, 170, 172, 89, 34, 41, 153,  
185, 173,  
34, 148, 185, 162, 38, 101, 68, 196, 153, 68, 169, 146, 36, 42, 162, 169, 199, 204,  
164, 146,

41, 148, 153, 153, 185, 89, 155, 187, 187, 187, 155, 187, 187, 180, 74, 41, 206, 84,  
170, 164,  
148, 73, 89, 69, 36, 82, 66, 73, 162, 243, 73, 149, 205, 201, 37, 187, 153, 185, 41,  
42,  
73, 146, 149, 66, 68, 68, 245, 58, 41, 68, 43, 66, 178, 43, 42, 75, 187, 75, 155, 69,  
8, 184, 137, 128, 68, 11, 176, 4, 139, 11, 11, 0, 0, 0, 176, 128, 0, 4, 128, 132,  
176, 0, 128, 0, 136, 144, 8, 176, 2, 128, 128, 8, 144, 8, 136, 11, 152, 184, 155, 9,  
128, 184, 0, 8, 9, 136, 180, 200, 184, 132, 0, 176, 136, 128, 11, 11, 180, 176, 180,  
155,  
132, 64, 185, 132, 136, 180, 41, 176, 139, 136, 187, 128, 176, 0, 187, 128, 64, 0, 11,  
187,  
139, 159, 144, 176, 184, 137, 169, 148, 176, 187, 187, 128, 0, 0, 178, 64, 144, 11, 0,  
187,  
176, 139, 31, 5, 43, 75, 176, 185, 162, 144, 43, 0, 0, 9, 144, 187, 187, 32, 187, 136,  
36, 152, 153, 181, 148, 68, 41, 187, 185, 101, 34, 187, 68, 68, 68, 43, 185, 204, 42,  
187,  
89, 34, 176, 66, 153, 68, 148, 187, 182, 20, 180, 43, 185, 156, 41, 139, 197, 169,  
148, 73,  
180, 75, 36, 180, 68, 185, 153, 153, 65, 34, 148, 148, 68, 148, 155, 130, 187, 132,  
178, 81,  
98, 66, 38, 34, 66, 41, 154, 149, 82, 4, 66, 37, 209, 168, 146, 38, 36, 68, 85, 101,  
4, 153, 153, 4, 66, 146, 178, 156, 43, 152, 45, 225, 175, 82, 180, 186, 252, 68, 68,  
187,  
37, 73, 73, 75, 73, 153, 74, 153, 34, 79, 213, 79, 172, 197, 162, 81, 73, 85, 153, 84,  
146, 36, 180, 145, 146, 162, 36, 18, 36, 66, 175, 36, 34, 173, 220, 249, 42, 156, 36,  
148,  
186, 155, 169, 41, 74, 155, 180, 68, 146, 91, 178, 21, 43, 180, 86, 82, 86, 38, 169,  
85,  
25, 185, 41, 148, 73, 153, 146, 148, 66, 42, 68, 153, 42, 34, 146, 146, 41, 73, 83,  
169,  
41, 148, 178, 84, 156, 36, 162, 98, 153, 34, 18, 34, 155, 180, 155, 187, 64, 180, 98,  
85,  
0, 0, 136, 128, 187, 64, 176, 0, 8, 0, 180, 0, 184, 0, 11, 184, 8, 176, 0, 128,

184, 0, 128, 0, 128, 4, 0, 0, 137, 136, 136, 128, 0, 2, 128, 128, 139, 0, 144, 153,  
0, 184, 185, 64, 8, 139, 0, 139, 0, 139, 153, 144, 8, 8, 0, 184, 11, 11, 11, 153,  
180, 64, 0, 136, 176, 180, 144, 8, 8, 8, 139, 8, 150, 196, 75, 11, 0, 0, 187, 176,  
9, 175, 75, 0, 41, 136, 137, 148, 8, 148, 187, 0, 176, 139, 68, 180, 84, 0, 176, 11,  
184, 11, 153, 178, 0, 4, 68, 154, 236, 176, 82, 4, 9, 186, 155, 187, 187, 176, 0, 139,  
9, 40, 153, 79, 250, 75, 66, 184, 34, 148, 176, 155, 69, 41, 73, 252, 187, 4, 75, 148,  
176, 4, 2, 66, 152, 66, 4, 180, 68, 138, 64, 187, 176, 157, 106, 187, 66, 153, 148, 75,  
9, 155, 187, 73, 187, 191, 104, 153, 166, 172, 153, 68, 75, 185, 155, 160, 4, 148, 41,  
33,  
21, 36, 66, 34, 66, 82, 168, 149, 37, 35, 68, 86, 105, 36, 66, 65, 82, 66, 64, 34,  
75, 155, 34, 68, 73, 34, 185, 166, 193, 152, 157, 125, 89, 153, 64, 162, 102, 69, 64,  
187,  
148, 68, 185, 73, 146, 82, 42, 153, 148, 146, 37, 92, 175, 154, 245, 81, 75, 206, 84,  
75,  
153, 41, 73, 47, 42, 34, 85, 118, 34, 42, 222, 162, 170, 207, 207, 194, 162, 36, 185,  
187,  
153, 146, 42, 82, 73, 155, 185, 43, 185, 73, 148, 252, 21, 162, 49, 34, 85, 93, 170,  
146,  
89, 180, 201, 148, 21, 36, 34, 155, 73, 34, 34, 153, 108, 149, 74, 68, 149, 42, 204,  
153,  
146, 196, 148, 148, 158, 84, 154, 100, 187, 42, 82, 41, 164, 75, 68, 180, 171, 161,  
82, 75,  
128, 152, 8, 0, 0, 4, 0, 8, 4, 144, 11, 68, 0, 0, 0, 0, 128, 11, 8, 128,  
184, 136, 8, 0, 128, 136, 0, 0, 136, 128, 137, 72, 0, 128, 176, 11, 64, 128, 176, 132,  
9, 128, 0, 75, 139, 185, 128, 152, 144, 136, 185, 32, 0, 136, 148, 8, 136, 11, 64, 139,  
176, 0, 8, 11, 66, 187, 128, 11, 184, 184, 139, 128, 191, 36, 8, 176, 180, 68, 128,  
176,  
153, 89, 11, 139, 170, 144, 185, 128, 176, 187, 144, 152, 4, 138, 0, 0, 64, 0, 176, 0,  
11, 0, 152, 0, 11, 176, 73, 194, 162, 8, 133, 176, 155, 64, 155, 11, 171, 128, 68, 145,  
89, 136, 0, 10, 18, 11, 66, 11, 80, 155, 75, 184, 132, 41, 82, 132, 75, 66, 75, 73,  
11, 66, 33, 68, 176, 66, 4, 73, 153, 73, 187, 73, 176, 177, 170, 176, 68, 41, 176, 133,  
153, 169, 137, 155, 180, 185, 137, 153, 128, 161, 169, 68, 64, 10, 192, 34, 89, 0,  
153, 153,

66, 84, 68, 68, 89, 155, 41, 5, 21, 33, 81, 66, 162, 32, 73, 41, 11, 156, 68, 36,  
32, 130, 32, 4, 75, 178, 9, 130, 34, 153, 154, 193, 91, 187, 64, 154, 47, 31, 36, 0,  
185, 153, 68, 180, 149, 2, 170, 153, 146, 197, 74, 92, 175, 89, 90, 169, 187, 93, 89,  
164,  
146, 196, 187, 154, 153, 68, 22, 85, 34, 154, 175, 21, 92, 231, 220, 169, 90, 169,  
186, 165,  
25, 68, 186, 85, 162, 36, 155, 185, 149, 41, 153, 153, 172, 57, 97, 81, 169, 41, 185,  
185,  
148, 73, 68, 146, 54, 41, 82, 66, 153, 213, 84, 73, 41, 66, 153, 148, 73, 94, 239, 202,  
153, 155, 155, 66, 149, 41, 154, 36, 187, 178, 43, 186, 194, 180, 75, 65, 27, 76, 36,  
68,  
153, 137, 11, 0, 187, 4, 0, 11, 128, 187, 9, 136, 144, 8, 176, 128, 0, 9, 0, 136,  
8, 8, 176, 184, 0, 153, 152, 0, 139, 0, 136, 176, 0, 72, 8, 11, 8, 11, 139, 32,  
11, 8, 176, 2, 144, 153, 184, 144, 144, 8, 136, 32, 8, 11, 0, 184, 128, 0, 136, 176,  
176, 176, 41, 148, 2, 184, 4, 8, 128, 0, 184, 132, 0, 68, 11, 0, 176, 0, 11, 184,  
187, 11, 153, 136, 139, 8, 144, 0, 36, 0, 187, 136, 128, 32, 128, 185, 64, 176, 68,  
128,  
176, 0, 8, 148, 184, 184, 8, 128, 64, 136, 153, 180, 155, 10, 187, 155, 184, 187, 64,  
74,  
168, 137, 0, 187, 153, 149, 153, 75, 36, 155, 176, 176, 73, 68, 66, 66, 75, 137, 152,  
132,  
176, 176, 85, 32, 75, 66, 34, 186, 68, 73, 187, 185, 4, 180, 163, 34, 180, 82, 176,  
134,  
187, 154, 137, 146, 74, 168, 154, 153, 155, 154, 202, 202, 81, 168, 37, 21, 82, 9, 64,  
180,  
36, 4, 36, 187, 2, 37, 34, 4, 69, 36, 34, 33, 34, 176, 34, 37, 73, 167, 84, 64,  
162, 153, 164, 64, 68, 176, 73, 149, 89, 153, 154, 158, 194, 187, 80, 153, 69, 202,  
73, 187,  
170, 28, 84, 73, 164, 9, 186, 73, 153, 36, 186, 172, 193, 201, 153, 153, 73, 194, 34,  
153,  
73, 75, 34, 155, 37, 34, 19, 36, 33, 74, 170, 202, 58, 215, 220, 198, 44, 249, 155,  
145,

50, 84, 188, 252, 169, 153, 144, 185, 178, 153, 155, 75, 154, 249, 21, 38, 41, 73,  
187, 149,  
21, 95, 36, 77, 21, 73, 21, 34, 74, 34, 68, 66, 68, 75, 73, 73, 41, 173, 253, 236,  
154, 185, 75, 180, 149, 73, 169, 155, 0, 11, 84, 149, 43, 187, 153, 73, 155, 37, 41,  
75,  
82, 144, 0, 66, 139, 11, 187, 137, 155, 136, 137, 136, 176, 136, 0, 136, 136, 144, 0,  
0,  
8, 0, 0, 11, 11, 187, 139, 139, 8, 139, 137, 176, 8, 128, 176, 128, 128, 0, 187, 64,  
176, 8, 176, 73, 172, 152, 128, 176, 128, 188, 155, 0, 136, 136, 8, 128, 4, 187, 185,  
32,  
187, 0, 64, 185, 74, 153, 187, 184, 4, 4, 185, 137, 139, 0, 11, 0, 11, 2, 180, 75,  
176, 153, 136, 184, 72, 64, 0, 128, 0, 11, 0, 152, 139, 8, 144, 11, 2, 64, 67, 160,  
8, 0, 185, 139, 128, 153, 201, 136, 180, 184, 170, 0, 194, 11, 185, 128, 4, 136, 187,  
185,  
11, 185, 43, 0, 4, 128, 11, 0, 64, 137, 128, 10, 57, 155, 73, 180, 64, 185, 139, 74,  
148, 0, 33, 68, 64, 176, 176, 181, 187, 184, 144, 187, 11, 153, 146, 181, 133, 66,  
101, 74,  
32, 137, 9, 72, 173, 218, 153, 153, 149, 154, 223, 249, 33, 68, 17, 95, 98, 137, 66,  
137,  
176, 146, 97, 68, 69, 50, 85, 66, 181, 66, 68, 11, 2, 148, 2, 148, 153, 146, 88, 130,  
34, 130, 20, 9, 64, 68, 32, 132, 34, 148, 2, 34, 36, 66, 68, 74, 169, 153, 149, 43,  
74, 146, 164, 170, 227, 34, 82, 58, 146, 162, 74, 159, 170, 170, 153, 154, 156, 210,  
73, 155,  
187, 42, 20, 41, 21, 186, 197, 36, 66, 146, 148, 148, 74, 255, 202, 170, 153, 178,  
187, 186,  
201, 89, 153, 150, 202, 74, 153, 187, 185, 146, 187, 187, 75, 169, 84, 76, 146, 73,  
187, 35,  
111, 99, 194, 44, 36, 156, 43, 41, 185, 66, 66, 73, 148, 75, 153, 36, 153, 44, 174,  
124,  
171, 169, 153, 34, 169, 166, 34, 41, 187, 153, 180, 186, 85, 178, 155, 187, 155, 181,  
249, 34,  
82, 170, 243, 159, 202, 73, 152, 164, 139, 144, 139, 136, 8, 139, 132, 0, 136, 139, 8,  
0,

8, 0, 4, 75, 0, 176, 64, 0, 11, 64, 180, 0, 0, 64, 128, 136, 9, 136, 0, 176,  
178, 75, 187, 0, 199, 169, 144, 144, 0, 10, 152, 0, 176, 0, 128, 176, 0, 64, 66, 25,  
187, 0, 64, 0, 178, 155, 4, 11, 72, 155, 187, 185, 11, 11, 144, 64, 9, 64, 64, 180,  
64, 8, 168, 139, 185, 155, 184, 0, 4, 0, 64, 137, 0, 8, 171, 148, 0, 0, 73, 146,  
137, 9, 0, 137, 154, 201, 88, 8, 64, 0, 185, 152, 75, 144, 0, 144, 66, 187, 187, 136,  
152, 176, 128, 69, 185, 75, 41, 34, 64, 9, 144, 133, 89, 75, 187, 155, 187, 187, 185,  
187,  
4, 185, 69, 68, 139, 155, 4, 155, 153, 185, 176, 75, 187, 136, 153, 68, 144, 95, 28,  
153,  
85, 145, 181, 68, 167, 234, 202, 132, 66, 154, 223, 201, 153, 150, 37, 44, 18, 191,  
69, 153,  
11, 81, 115, 36, 34, 18, 34, 32, 4, 102, 68, 148, 33, 50, 64, 137, 145, 171, 64, 75,  
153, 148, 34, 36, 148, 66, 75, 161, 41, 66, 132, 162, 41, 85, 68, 76, 218, 170, 82, 68,  
41, 164, 41, 155, 82, 36, 241, 202, 154, 245, 154, 175, 202, 154, 154, 149, 170, 202,  
41, 41,  
153, 166, 82, 66, 36, 149, 54, 47, 20, 73, 148, 161, 153, 170, 170, 154, 155, 149,  
164, 146,  
36, 75, 75, 73, 73, 154, 148, 185, 153, 185, 155, 185, 84, 185, 155, 149, 89, 84, 180,  
37,  
42, 165, 180, 69, 82, 69, 155, 178, 42, 84, 101, 34, 155, 68, 66, 73, 153, 154, 172,  
250,  
153, 155, 155, 180, 75, 146, 69, 153, 220, 105, 187, 189, 50, 185, 185, 148, 185,  
185, 180, 75,  
34, 146, 44, 146, 64, 0, 176, 72, 176, 155, 8, 184, 137, 176, 184, 8, 64, 144, 139, 0,  
139, 0, 0, 0, 8, 128, 153, 144, 4, 0, 0, 128, 0, 184, 152, 0, 153, 16, 4, 176,  
0, 138, 148, 0, 172, 169, 128, 136, 8, 8, 136, 8, 64, 8, 128, 0, 4, 4, 4, 11,  
155, 132, 72, 8, 176, 187, 11, 4, 187, 106, 11, 185, 132, 184, 155, 0, 155, 4, 155, 36,  
8, 178, 240, 0, 136, 136, 0, 11, 184, 11, 180, 136, 11, 153, 64, 76, 171, 139, 187,  
150,  
187, 66, 9, 152, 199, 122, 250, 136, 68, 8, 11, 4, 136, 180, 8, 176, 36, 176, 180, 33,  
32, 4, 9, 4, 187, 11, 37, 155, 180, 0, 75, 132, 9, 169, 187, 75, 155, 70, 137, 187,  
187, 4, 84, 4, 171, 136, 0, 186, 153, 75, 68, 11, 73, 139, 139, 180, 68, 149, 164, 137,



68, 144, 148, 137, 149, 170, 180, 132, 148, 186, 252, 154, 154, 178, 44, 185, 41, 1,  
146, 36,  
73, 174, 49, 34, 35, 84, 69, 68, 185, 102, 34, 68, 4, 34, 4, 43, 68, 9, 36, 75,  
153, 36, 85, 41, 177, 170, 34, 31, 34, 180, 43, 43, 178, 85, 43, 173, 125, 149, 34, 34,  
155, 187, 180, 146, 178, 34, 164, 172, 95, 106, 170, 175, 202, 170, 153, 165, 162,  
194, 178, 34,  
173, 42, 34, 155, 41, 162, 82, 74, 196, 153, 68, 146, 41, 154, 73, 153, 75, 185, 153,  
163,  
68, 66, 73, 185, 73, 180, 180, 43, 186, 195, 37, 73, 148, 44, 169, 178, 171, 75, 36,  
36,  
155, 34, 91, 69, 82, 20, 75, 178, 90, 42, 85, 36, 34, 185, 41, 69, 180, 41, 172, 169,  
170, 153, 155, 187, 43, 146, 185, 34, 204, 27, 9, 186, 27, 185, 185, 75, 187, 176, 20,  
148,  
180, 68, 75, 130, 185, 0, 11, 155, 11, 184, 0, 8, 70, 32, 128, 176, 139, 152, 11, 0,  
8, 184, 0, 0, 137, 64, 0, 187, 128, 176, 136, 128, 8, 152, 128, 0, 8, 16, 11, 139,  
8, 137, 144, 11, 42, 132, 11, 152, 180, 8, 0, 128, 75, 11, 0, 0, 128, 0, 11, 9,  
176, 0, 0, 185, 144, 64, 8, 139, 8, 176, 176, 176, 139, 132, 176, 128, 139, 176, 64,  
36,  
184, 9, 185, 128, 187, 187, 11, 136, 184, 139, 163, 139, 8, 4, 153, 143, 80, 4, 0, 184,  
187, 75, 155, 185, 174, 218, 168, 136, 198, 75, 4, 81, 152, 2, 72, 144, 73, 144, 66,  
193,  
136, 8, 144, 139, 155, 34, 187, 176, 176, 9, 187, 139, 178, 91, 128, 137, 68, 159,  
153, 89,  
187, 181, 43, 68, 136, 153, 180, 139, 159, 43, 68, 11, 152, 64, 155, 178, 155, 178,  
40, 11,  
153, 149, 196, 154, 75, 155, 66, 180, 148, 66, 202, 170, 146, 137, 73, 148, 41, 136,  
162, 148,  
153, 199, 54, 89, 197, 34, 43, 178, 75, 146, 18, 37, 43, 168, 0, 180, 155, 146, 76,  
164,  
42, 34, 81, 36, 66, 37, 162, 84, 193, 84, 82, 43, 187, 154, 149, 170, 218, 195, 34, 68,  
68, 185, 43, 169, 36, 34, 73, 159, 205, 169, 170, 173, 202, 170, 170, 170, 169, 153,  
153, 146,

165, 42, 36, 155, 146, 73, 34, 66, 153, 73, 66, 42, 163, 68, 185, 153, 164, 187, 68,  
161,  
148, 169, 89, 187, 153, 149, 68, 43, 146, 252, 41, 41, 148, 37, 154, 174, 244, 153,  
82, 73,  
185, 149, 82, 146, 17, 43, 75, 181, 68, 180, 41, 148, 180, 34, 185, 149, 43, 155, 154,  
153,  
193, 146, 89, 187, 43, 37, 75, 18, 75, 155, 176, 148, 180, 75, 155, 75, 68, 41, 162,  
153,  
8, 0, 8, 136, 139, 0, 8, 128, 75, 176, 9, 136, 5, 64, 8, 68, 128, 136, 8, 8,  
136, 8, 176, 136, 185, 139, 128, 8, 136, 0, 11, 0, 0, 152, 128, 0, 0, 0, 8, 176,  
136, 9, 187, 152, 128, 0, 11, 136, 9, 187, 128, 0, 8, 187, 132, 0, 4, 0, 180, 0,  
176, 4, 11, 185, 139, 0, 74, 136, 11, 187, 176, 136, 0, 155, 139, 9, 11, 180, 64, 64,  
0, 176, 176, 136, 148, 176, 75, 136, 176, 187, 69, 155, 8, 136, 153, 187, 187, 68,  
155, 0,  
75, 185, 139, 153, 154, 170, 152, 155, 180, 36, 66, 73, 128, 132, 152, 128, 73, 128,  
4, 187,  
152, 191, 240, 184, 89, 82, 155, 0, 73, 9, 187, 184, 79, 50, 187, 138, 105, 153, 139,  
138,  
139, 2, 41, 36, 176, 185, 185, 43, 145, 171, 187, 171, 187, 32, 181, 178, 43, 4, 155,  
187,  
68, 51, 27, 161, 27, 180, 155, 75, 176, 74, 44, 202, 171, 148, 43, 187, 139, 148, 73,  
9,  
68, 172, 215, 111, 113, 81, 201, 18, 34, 181, 84, 66, 18, 164, 194, 73, 146, 85, 53,  
36,  
66, 147, 225, 21, 37, 90, 162, 36, 22, 18, 20, 4, 68, 66, 65, 154, 170, 149, 166, 91,  
68, 155, 185, 75, 68, 41, 73, 42, 170, 153, 175, 207, 250, 170, 170, 170, 170, 153,  
155, 153,  
154, 154, 154, 153, 180, 153, 187, 153, 169, 89, 68, 66, 186, 89, 43, 153, 68, 155,  
66, 81,  
185, 36, 155, 75, 75, 148, 36, 155, 69, 242, 17, 165, 180, 73, 149, 45, 18, 148, 153,  
153,  
155, 181, 43, 162, 82, 34, 36, 146, 36, 178, 34, 180, 18, 155, 178, 36, 153, 155, 153,  
170,

153, 153, 66, 68, 41, 146, 187, 66, 43, 75, 176, 185, 75, 84, 180, 178, 64, 185, 153,  
187,  
0, 4, 0, 176, 0, 8, 137, 139, 11, 0, 0, 128, 187, 0, 0, 0, 128, 128, 0, 152,  
0, 136, 0, 128, 11, 64, 139, 128, 152, 11, 136, 185, 128, 136, 8, 8, 0, 2, 180, 11,  
185, 154, 172, 139, 176, 11, 0, 0, 139, 152, 184, 0, 128, 0, 8, 160, 64, 68, 187, 0,  
139, 187, 176, 139, 128, 4, 184, 139, 73, 11, 11, 176, 0, 128, 0, 0, 0, 148, 155, 180,  
185, 155, 187, 137, 169, 137, 0, 72, 139, 128, 75, 136, 0, 0, 72, 0, 0, 176, 11, 176,  
1, 20, 136, 152, 168, 154, 152, 136, 176, 0, 36, 185, 144, 176, 153, 187, 185, 149, 4,  
4,  
137, 34, 43, 154, 73, 137, 139, 128, 137, 41, 149, 192, 185, 169, 184, 154, 58, 146,  
139, 152,  
187, 4, 105, 66, 186, 180, 9, 230, 153, 132, 187, 153, 185, 68, 2, 180, 32, 73, 186,  
130,  
187, 246, 34, 69, 32, 148, 66, 153, 89, 160, 159, 125, 170, 36, 155, 137, 36, 178,  
148, 75,  
36, 149, 17, 23, 49, 79, 20, 34, 41, 38, 36, 37, 101, 66, 18, 47, 212, 68, 92, 34,  
41, 159, 238, 97, 31, 25, 34, 66, 37, 101, 20, 66, 82, 66, 34, 202, 153, 153, 38, 91,  
108, 171, 185, 180, 73, 41, 41, 170, 170, 170, 207, 109, 204, 202, 172, 170, 169,  
169, 169, 169,  
162, 153, 195, 194, 153, 169, 148, 41, 161, 148, 153, 155, 180, 178, 169, 150, 36,  
187, 75, 154,  
41, 185, 153, 153, 153, 180, 37, 153, 36, 162, 81, 169, 148, 154, 154, 170, 21, 148,  
187, 178,  
75, 148, 34, 33, 82, 82, 41, 41, 98, 66, 180, 146, 75, 187, 34, 68, 185, 155, 155, 173,  
89, 153, 81, 185, 181, 43, 187, 73, 153, 187, 187, 187, 68, 43, 180, 34, 180, 185, 84,  
185,  
0, 128, 0, 0, 0, 0, 8, 128, 136, 0, 8, 11, 128, 184, 139, 0, 0, 8, 0, 128,  
0, 11, 0, 8, 9, 11, 8, 184, 152, 4, 68, 176, 0, 136, 64, 8, 8, 10, 139, 0,  
64, 15, 26, 180, 11, 75, 176, 11, 9, 41, 176, 187, 128, 0, 137, 152, 144, 4, 176, 0,  
192, 187, 0, 139, 0, 4, 8, 187, 9, 176, 0, 128, 11, 132, 0, 0, 155, 105, 184, 128,  
8, 187, 180, 138, 73, 139, 75, 187, 152, 139, 187, 184, 184, 64, 187, 0, 11, 0, 75, 75,  
10, 41, 64, 184, 137, 136, 153, 136, 176, 0, 41, 132, 202, 16, 180, 72, 139, 137, 64,  
180,

176, 184, 146, 22, 21, 44, 169, 180, 184, 154, 220, 242, 184, 11, 136, 187, 168, 187,  
176, 153,  
153, 155, 146, 66, 43, 5, 242, 195, 168, 146, 152, 155, 41, 187, 0, 180, 2, 43, 181, 4,  
153, 156, 43, 132, 32, 75, 0, 185, 89, 34, 143, 125, 200, 66, 43, 180, 75, 146, 144, 9,  
149, 66, 82, 161, 18, 37, 33, 64, 72, 34, 90, 100, 34, 75, 144, 65, 20, 66, 130, 84,  
73, 130, 35, 54, 92, 153, 34, 34, 68, 36, 34, 79, 229, 81, 50, 115, 162, 148, 66, 155,  
170, 165, 68, 180, 169, 75, 146, 44, 90, 170, 205, 253, 252, 172, 207, 193, 162, 165,  
154, 170,  
146, 154, 173, 202, 42, 148, 66, 155, 177, 156, 98, 169, 146, 185, 155, 159, 169, 75,  
75, 187,  
185, 73, 153, 148, 153, 144, 73, 36, 66, 60, 90, 42, 84, 155, 181, 90, 84, 178, 153,  
189,  
164, 181, 18, 37, 164, 34, 68, 41, 34, 155, 148, 73, 187, 180, 146, 68, 148, 148, 185,  
36,  
153, 155, 68, 66, 146, 73, 75, 146, 68, 187, 180, 68, 180, 187, 178, 75, 185, 73, 64,  
180,  
144, 0, 0, 0, 128, 184, 72, 144, 144, 11, 0, 0, 4, 0, 136, 176, 128, 0, 8, 176,  
136, 128, 8, 136, 132, 187, 128, 176, 128, 64, 187, 68, 0, 153, 136, 176, 136, 187, 0,  
0,  
128, 137, 137, 0, 0, 68, 11, 180, 9, 146, 8, 11, 185, 176, 136, 136, 144, 4, 177, 9,  
107, 8, 184, 176, 0, 75, 139, 187, 137, 139, 11, 0, 2, 85, 155, 11, 64, 0, 136, 184,  
0, 185, 137, 152, 40, 136, 153, 40, 138, 0, 11, 8, 43, 11, 184, 136, 128, 187, 0, 75,  
4, 68, 185, 187, 36, 136, 137, 184, 11, 4, 41, 144, 76, 212, 75, 155, 11, 204, 89, 44,  
148, 64, 73, 66, 169, 158, 228, 132, 72, 154, 202, 68, 184, 4, 154, 155, 197, 11, 198,  
184,  
72, 132, 132, 84, 169, 185, 168, 72, 136, 155, 137, 132, 73, 171, 187, 2, 149, 176,  
11, 132,  
155, 79, 82, 65, 36, 181, 84, 187, 185, 66, 44, 170, 169, 184, 153, 34, 68, 37, 148,  
75,  
66, 146, 66, 66, 162, 165, 69, 66, 64, 43, 82, 82, 85, 64, 146, 66, 155, 68, 36, 36,  
43, 148, 150, 97, 41, 34, 72, 84, 73, 164, 68, 42, 197, 241, 34, 33, 33, 169, 187, 170,  
76, 118, 171, 185, 210, 34, 146, 47, 170, 172, 204, 205, 220, 204, 204, 214, 42, 170,  
154, 149,

162, 154, 33, 90, 102, 180, 170, 75, 185, 153, 156, 20, 75, 74, 171, 170, 25, 146, 75,  
155,  
156, 185, 153, 162, 153, 164, 187, 153, 68, 46, 242, 34, 33, 171, 181, 166, 41, 149,  
180, 153,  
68, 68, 68, 66, 36, 106, 73, 35, 34, 34, 180, 43, 36, 162, 148, 82, 245, 68, 153, 91,  
185, 43, 153, 180, 148, 43, 185, 155, 73, 155, 180, 187, 187, 187, 180, 68, 187, 155,  
176, 178,  
4, 0, 176, 0, 128, 137, 11, 0, 8, 0, 136, 0, 176, 0, 132, 0, 11, 0, 0, 0,  
36, 64, 136, 139, 139, 40, 128, 0, 0, 0, 74, 0, 8, 138, 128, 136, 128, 136, 128, 0,  
176, 72, 64, 64, 184, 132, 0, 9, 8, 128, 128, 0, 8, 152, 0, 72, 4, 0, 0, 41,  
0, 186, 144, 155, 73, 139, 75, 137, 176, 0, 136, 128, 139, 205, 164, 75, 0, 176, 176,  
128,  
64, 4, 136, 152, 139, 137, 187, 73, 185, 68, 73, 64, 164, 11, 11, 0, 144, 128, 0, 0,  
184, 11, 139, 0, 8, 64, 176, 128, 4, 132, 0, 0, 184, 66, 64, 180, 32, 252, 200, 139,  
136, 66, 184, 64, 72, 137, 155, 132, 74, 186, 153, 187, 187, 10, 155, 72, 84, 146, 41,  
64,  
187, 185, 73, 75, 139, 11, 72, 187, 11, 11, 153, 136, 138, 203, 34, 137, 139, 64, 8,  
136,  
180, 68, 18, 37, 194, 2, 0, 136, 139, 169, 26, 42, 92, 56, 84, 191, 201, 2, 84, 148,  
187, 153, 36, 41, 102, 68, 69, 37, 91, 162, 68, 69, 83, 96, 2, 68, 68, 68, 64, 66,  
68, 178, 37, 169, 41, 185, 165, 34, 69, 89, 43, 86, 42, 126, 18, 42, 73, 185, 73, 111,  
156, 220, 162, 186, 194, 42, 154, 172, 172, 202, 252, 253, 223, 204, 204, 227, 170,  
202, 162, 156,  
58, 156, 206, 25, 42, 146, 68, 187, 146, 155, 147, 52, 185, 65, 82, 194, 180, 34, 185,  
73,  
149, 74, 155, 185, 43, 187, 9, 49, 185, 34, 155, 161, 34, 153, 180, 153, 155, 187,  
180, 68,  
180, 187, 73, 73, 180, 66, 91, 185, 146, 84, 34, 117, 68, 41, 34, 202, 239, 36, 36,  
155,  
153, 155, 153, 43, 178, 185, 153, 170, 153, 178, 187, 66, 73, 75, 181, 148, 180, 185,  
148, 36,  
242, 64, 11, 176, 128, 0, 11, 0, 128, 0, 176, 180, 4, 137, 184, 8, 9, 136, 64, 0,  
0, 136, 128, 0, 185, 208, 187, 128, 0, 136, 0, 0, 64, 184, 128, 8, 64, 128, 128, 8,

0, 72, 0, 68, 64, 176, 11, 187, 8, 0, 8, 72, 139, 128, 0, 148, 0, 0, 0, 184,  
176, 181, 148, 187, 139, 0, 74, 8, 176, 11, 8, 11, 186, 173, 168, 128, 176, 11, 8, 128,  
128, 145, 137, 136, 137, 155, 154, 169, 139, 68, 4, 176, 32, 75, 8, 8, 136, 0, 132, 4,  
0, 180, 72, 0, 41, 11, 136, 184, 156, 152, 11, 64, 9, 36, 64, 148, 4, 37, 57, 144,  
136, 72, 176, 73, 153, 171, 136, 155, 65, 66, 185, 162, 176, 42, 4, 156, 82, 132, 187,  
184,  
128, 73, 139, 2, 64, 187, 184, 137, 153, 0, 152, 148, 41, 2, 187, 185, 187, 11, 73,  
148,  
37, 34, 75, 77, 98, 178, 72, 152, 145, 91, 130, 146, 68, 72, 156, 45, 216, 75, 168,  
180,  
146, 153, 82, 154, 37, 170, 146, 37, 18, 186, 185, 247, 253, 249, 153, 81, 32, 4, 34,  
18,  
73, 152, 66, 185, 185, 75, 8, 133, 4, 4, 155, 149, 170, 85, 36, 32, 75, 11, 148, 34,  
170, 202, 164, 155, 154, 154, 170, 170, 170, 172, 255, 253, 223, 252, 204, 28, 170,  
172, 170, 156,  
89, 170, 193, 41, 154, 156, 68, 180, 146, 73, 178, 69, 73, 180, 41, 146, 43, 148, 36,  
73,  
187, 187, 187, 107, 153, 148, 37, 162, 153, 73, 185, 66, 18, 185, 66, 75, 187, 155,  
75, 156,  
162, 33, 66, 34, 180, 69, 82, 171, 180, 36, 36, 194, 185, 148, 172, 103, 239, 41, 75,  
43,  
146, 155, 155, 155, 155, 66, 156, 231, 201, 41, 180, 153, 69, 75, 75, 187, 155, 178,  
34, 185,  
73, 0, 185, 136, 180, 139, 132, 184, 128, 0, 187, 64, 11, 8, 11, 185, 8, 0, 132, 11,  
2, 0, 136, 128, 0, 64, 64, 0, 72, 155, 11, 8, 155, 9, 152, 2, 144, 0, 176, 8,  
64, 148, 36, 176, 0, 187, 176, 137, 187, 0, 0, 139, 144, 11, 152, 184, 2, 155, 128,  
186,  
64, 187, 75, 8, 128, 4, 187, 137, 0, 4, 187, 138, 247, 250, 136, 176, 0, 179, 16, 187,  
154, 130, 8, 128, 187, 180, 155, 153, 155, 144, 176, 0, 148, 184, 64, 176, 176, 8, 64,  
11,  
11, 176, 11, 11, 169, 139, 9, 43, 157, 203, 144, 4, 187, 64, 64, 0, 178, 98, 18, 197,  
43, 186, 155, 74, 137, 197, 136, 136, 187, 171, 154, 149, 154, 154, 153, 157, 101,  
75, 153, 166,

34, 187, 40, 132, 9, 8, 187, 42, 50, 152, 128, 74, 73, 82, 0, 155, 155, 4, 64, 187,  
0, 21, 137, 34, 75, 130, 180, 148, 153, 84, 68, 34, 148, 36, 38, 250, 169, 153, 139,  
180,  
34, 66, 148, 146, 34, 153, 164, 106, 18, 152, 204, 173, 197, 148, 11, 85, 75, 66, 73,  
81,  
153, 153, 201, 128, 66, 82, 4, 6, 36, 68, 73, 146, 75, 34, 36, 33, 68, 187, 185, 75,  
170, 175, 20, 149, 172, 106, 252, 28, 204, 207, 255, 254, 221, 252, 204, 172, 202,  
170, 202, 146,  
153, 169, 162, 154, 153, 149, 155, 180, 154, 66, 84, 37, 41, 185, 34, 153, 155, 185,  
41, 185,  
187, 185, 41, 164, 180, 187, 154, 36, 42, 37, 73, 82, 185, 66, 66, 37, 43, 148, 180,  
156,  
84, 66, 153, 180, 180, 154, 42, 117, 148, 187, 41, 43, 187, 34, 205, 97, 85, 36, 73,  
75,  
147, 155, 153, 155, 155, 146, 149, 215, 201, 153, 36, 68, 68, 178, 73, 148, 155, 36,  
155, 73,  
139, 0, 137, 137, 75, 75, 176, 176, 9, 75, 139, 0, 176, 64, 176, 139, 0, 8, 8, 0,  
0, 32, 136, 136, 128, 8, 9, 136, 136, 0, 9, 11, 176, 11, 0, 187, 128, 128, 176, 137,  
80, 9, 127, 64, 68, 75, 176, 187, 139, 0, 8, 0, 136, 0, 128, 0, 180, 137, 251, 130,  
176, 139, 136, 4, 0, 11, 32, 139, 4, 9, 176, 65, 247, 220, 152, 9, 11, 2, 171, 184,  
9, 144, 8, 136, 11, 184, 207, 223, 162, 75, 43, 64, 68, 176, 184, 176, 152, 72, 0, 68,  
155, 9, 187, 187, 104, 11, 73, 89, 180, 75, 128, 8, 148, 75, 0, 184, 180, 101, 11, 73,  
164, 178, 144, 152, 97, 36, 139, 184, 137, 169, 73, 155, 155, 153, 152, 134, 126, 82,  
153, 206,  
82, 10, 57, 153, 11, 187, 140, 50, 18, 187, 152, 75, 185, 82, 75, 146, 180, 4, 180, 68,  
75, 194, 152, 75, 187, 139, 148, 34, 173, 18, 176, 66, 197, 180, 185, 153, 146, 41,  
187, 180,  
9, 132, 148, 149, 34, 68, 2, 18, 36, 74, 239, 169, 168, 148, 64, 34, 64, 64, 155, 215,  
197, 146, 43, 153, 41, 148, 184, 178, 132, 36, 4, 74, 73, 153, 34, 33, 68, 84, 180,  
185,  
154, 174, 114, 46, 202, 172, 237, 223, 204, 255, 253, 222, 222, 223, 252, 204, 172,  
202, 162, 169,

42, 170, 154, 153, 153, 153, 155, 154, 148, 153, 34, 82, 74, 178, 153, 185, 153, 148,  
153, 153,  
43, 42, 36, 153, 178, 43, 153, 34, 170, 162, 73, 68, 44, 54, 36, 37, 91, 185, 66, 148,  
73, 73, 148, 36, 74, 165, 37, 18, 68, 68, 185, 155, 187, 73, 87, 21, 148, 34, 75, 148,  
76, 155, 185, 180, 169, 153, 146, 202, 169, 187, 75, 153, 155, 182, 201, 187, 146,  
91, 155, 155,  
0, 0, 9, 144, 176, 180, 68, 11, 187, 176, 187, 64, 176, 139, 0, 128, 4, 136, 0, 0,  
0, 144, 187, 144, 0, 0, 0, 0, 184, 72, 184, 185, 176, 11, 11, 128, 0, 139, 139,  
68, 9, 108, 137, 11, 0, 176, 11, 0, 128, 132, 0, 8, 8, 0, 139, 187, 185, 234, 155,  
0, 11, 128, 185, 187, 186, 96, 11, 136, 152, 129, 153, 175, 205, 152, 136, 0, 4, 139,  
139,  
187, 8, 0, 0, 0, 176, 173, 126, 153, 155, 0, 9, 100, 0, 176, 155, 44, 33, 152, 0,  
144, 157, 164, 139, 203, 178, 36, 146, 64, 8, 176, 137, 133, 149, 11, 136, 36, 36, 0,  
180,  
40, 187, 32, 0, 41, 153, 184, 137, 43, 74, 156, 129, 43, 43, 132, 186, 97, 41, 136, 37,  
36, 139, 72, 160, 187, 180, 146, 97, 184, 2, 154, 2, 169, 37, 98, 153, 148, 11, 180,  
203,  
4, 41, 74, 41, 136, 137, 169, 149, 166, 201, 187, 73, 193, 146, 0, 153, 34, 84, 187,  
75,  
137, 153, 146, 146, 37, 34, 85, 155, 148, 68, 196, 153, 164, 153, 176, 130, 82, 75,  
40, 175,  
34, 148, 186, 137, 98, 187, 187, 34, 180, 68, 149, 75, 68, 43, 182, 82, 68, 178, 75,  
185,  
185, 161, 82, 154, 169, 154, 252, 223, 255, 253, 221, 238, 237, 221, 255, 252, 202,  
90, 169, 170,  
154, 156, 170, 153, 153, 148, 153, 68, 42, 153, 66, 84, 73, 73, 41, 41, 180, 185, 82,  
38,  
41, 77, 89, 185, 148, 148, 153, 154, 173, 229, 153, 148, 146, 82, 185, 73, 155, 73,  
33, 34,  
149, 36, 18, 68, 76, 196, 36, 166, 85, 37, 89, 155, 180, 146, 42, 245, 36, 68, 36, 185,  
34, 146, 153, 178, 106, 155, 185, 41, 169, 84, 185, 187, 155, 185, 153, 148, 75, 187,  
187, 180,  
136, 8, 187, 11, 137, 4, 176, 184, 0, 176, 0, 187, 73, 152, 128, 176, 184, 176, 184, 0,



8, 8, 8, 180, 184, 187, 176, 11, 176, 8, 11, 137, 185, 176, 9, 8, 0, 136, 176, 4,  
75, 8, 171, 139, 128, 0, 0, 8, 8, 0, 128, 8, 8, 128, 0, 64, 0, 2, 100, 4,  
4, 187, 187, 153, 153, 187, 187, 176, 146, 73, 76, 187, 186, 153, 136, 11, 0, 0, 187,  
187,  
139, 128, 4, 9, 139, 184, 186, 218, 153, 155, 176, 185, 20, 4, 137, 136, 163, 205, 43,  
187,  
11, 132, 73, 184, 155, 66, 36, 143, 16, 128, 176, 176, 40, 129, 164, 187, 68, 64, 0,  
11,  
184, 152, 148, 75, 187, 136, 132, 73, 43, 146, 184, 181, 34, 153, 155, 132, 101, 41,  
137, 162,  
36, 184, 180, 75, 144, 152, 178, 98, 0, 4, 73, 152, 137, 178, 171, 9, 36, 2, 144, 34,  
93, 34, 74, 169, 4, 185, 169, 69, 185, 152, 185, 187, 187, 72, 68, 36, 69, 84, 74, 43,  
148, 146, 41, 75, 69, 195, 82, 36, 153, 75, 155, 154, 210, 152, 89, 153, 246, 184, 34,  
153,  
185, 64, 154, 250, 155, 4, 66, 0, 148, 68, 68, 41, 153, 43, 159, 22, 36, 185, 187, 187,  
172, 178, 73, 153, 153, 42, 172, 207, 255, 221, 238, 231, 238, 238, 223, 252, 202,  
255, 202, 170,  
170, 172, 170, 169, 186, 153, 153, 153, 156, 170, 37, 146, 42, 89, 153, 36, 187, 180,  
91, 41,  
153, 65, 43, 185, 169, 153, 153, 43, 77, 234, 155, 148, 146, 41, 154, 73, 185, 68, 21,  
21,  
66, 73, 154, 89, 156, 100, 146, 74, 65, 34, 187, 187, 146, 146, 34, 41, 193, 148, 68,  
180,  
209, 69, 148, 153, 222, 169, 178, 185, 73, 36, 146, 162, 187, 185, 41, 180, 187, 187,  
187, 153,  
128, 136, 187, 11, 148, 11, 11, 184, 137, 11, 176, 176, 176, 136, 184, 180, 0, 185,  
155, 0,  
128, 8, 0, 8, 136, 128, 176, 0, 8, 139, 153, 136, 139, 11, 8, 8, 0, 8, 0, 11,  
148, 184, 152, 11, 0, 0, 0, 0, 0, 75, 0, 11, 128, 9, 11, 0, 8, 75, 41, 64,  
8, 176, 0, 152, 139, 178, 8, 178, 165, 32, 0, 187, 9, 136, 136, 0, 139, 176, 0, 8,  
184, 11, 180, 8, 11, 11, 153, 41, 153, 43, 187, 11, 64, 180, 187, 137, 66, 148, 68, 8,  
128, 4, 105, 75, 75, 10, 68, 180, 8, 184, 11, 128, 185, 0, 32, 137, 8, 148, 68, 0,

75, 153, 66, 64, 180, 144, 130, 139, 178, 153, 152, 180, 69, 68, 178, 36, 153, 184,  
159, 234,  
33, 89, 148, 34, 80, 186, 4, 34, 8, 155, 155, 180, 148, 10, 18, 178, 66, 73, 0, 68,  
133, 73, 146, 139, 66, 44, 196, 130, 155, 137, 185, 43, 240, 68, 43, 73, 66, 73, 254,  
41,  
164, 36, 36, 73, 137, 103, 18, 82, 178, 36, 34, 137, 89, 153, 187, 146, 42, 153, 162,  
136,  
40, 128, 156, 124, 146, 148, 153, 36, 36, 66, 66, 42, 65, 84, 34, 34, 32, 42, 75, 66,  
154, 153, 146, 37, 41, 154, 170, 207, 253, 222, 231, 119, 119, 126, 125, 255, 207,  
223, 170, 170,  
170, 172, 170, 169, 153, 153, 186, 162, 156, 170, 42, 28, 162, 153, 153, 101, 180,  
154, 185, 154,  
155, 66, 75, 185, 97, 155, 180, 36, 154, 91, 155, 36, 66, 34, 255, 66, 162, 52, 18, 37,  
34, 186, 37, 34, 164, 66, 68, 68, 178, 153, 155, 187, 18, 149, 146, 42, 165, 146, 178,  
34,  
36, 153, 148, 187, 253, 171, 187, 185, 185, 41, 73, 41, 153, 153, 41, 187, 187, 180,  
187, 185,  
4, 180, 176, 148, 155, 128, 64, 11, 132, 11, 8, 0, 136, 139, 0, 136, 0, 187, 128, 184,  
8, 128, 0, 0, 0, 0, 68, 0, 8, 180, 75, 0, 187, 180, 64, 128, 0, 152, 144,  
128, 0, 136, 139, 11, 176, 128, 0, 128, 4, 68, 64, 8, 0, 8, 152, 4, 4, 176, 132,  
11, 11, 4, 25, 4, 164, 9, 33, 86, 219, 132, 155, 8, 75, 128, 0, 136, 0, 176, 0,  
137, 0, 180, 72, 176, 0, 137, 136, 171, 178, 176, 185, 0, 11, 139, 128, 72, 68, 153,  
137,  
176, 68, 196, 176, 187, 4, 0, 155, 144, 153, 64, 132, 64, 185, 4, 144, 184, 4, 36, 64,  
47, 32, 178, 184, 79, 216, 137, 155, 9, 73, 153, 184, 81, 68, 72, 146, 187, 75, 201,  
203,  
146, 185, 180, 11, 4, 134, 203, 4, 153, 155, 4, 11, 40, 178, 32, 9, 155, 180, 0, 187,  
152, 153, 153, 187, 148, 35, 52, 198, 57, 73, 41, 146, 57, 185, 34, 178, 64, 33, 254,  
169,  
40, 52, 175, 37, 149, 165, 36, 37, 36, 2, 18, 137, 36, 132, 68, 5, 152, 42, 172, 153,  
169, 187, 2, 250, 68, 66, 2, 82, 217, 68, 42, 79, 18, 75, 155, 149, 36, 246, 186, 82,  
153, 153, 153, 165, 90, 204, 170, 207, 253, 222, 119, 119, 119, 119, 237, 255, 254,  
202, 253, 175,

202, 172, 170, 170, 170, 154, 153, 169, 170, 149, 165, 28, 89, 154, 162, 82, 68, 153,  
153, 146,  
178, 69, 75, 185, 162, 43, 185, 68, 73, 18, 68, 41, 34, 68, 197, 156, 154, 82, 85, 66,  
82, 154, 179, 89, 82, 33, 66, 153, 148, 75, 153, 153, 68, 165, 84, 74, 34, 68, 178, 68,  
73, 155, 68, 68, 154, 153, 180, 185, 68, 75, 73, 153, 187, 170, 164, 180, 68, 206,  
169, 181,  
148, 76, 64, 132, 184, 0, 0, 9, 184, 155, 0, 0, 128, 176, 8, 0, 0, 138, 132, 176,  
128, 0, 128, 0, 32, 128, 0, 0, 0, 176, 136, 176, 187, 128, 0, 8, 153, 136, 132, 144,  
152, 8, 128, 0, 8, 128, 0, 4, 0, 176, 0, 11, 128, 8, 8, 0, 128, 0, 0, 2,  
176, 11, 139, 8, 145, 242, 0, 166, 73, 75, 8, 137, 146, 153, 0, 8, 169, 176, 187, 0,  
64, 73, 64, 65, 8, 184, 11, 184, 34, 136, 155, 144, 187, 8, 187, 0, 155, 176, 68, 130,  
11, 2, 4, 152, 64, 153, 137, 185, 128, 75, 144, 165, 84, 0, 4, 144, 11, 187, 180, 68,  
109, 37, 64, 70, 205, 234, 43, 73, 136, 187, 91, 9, 144, 45, 153, 147, 43, 37, 26, 176,  
146, 139, 176, 0, 0, 149, 36, 73, 73, 171, 187, 36, 9, 36, 185, 137, 187, 4, 139, 73,  
137, 168, 178, 148, 132, 73, 178, 42, 130, 150, 88, 169, 68, 73, 213, 44, 36, 42, 169,  
34,  
34, 82, 111, 170, 34, 66, 81, 83, 20, 146, 34, 147, 249, 2, 25, 2, 66, 170, 223, 153,  
41, 40, 152, 153, 154, 68, 68, 41, 162, 68, 66, 89, 160, 9, 34, 68, 66, 171, 175, 249,  
170, 172, 204, 207, 255, 222, 221, 221, 238, 238, 119, 119, 119, 119, 238, 237, 223,  
223, 223, 254,  
220, 252, 204, 202, 170, 170, 170, 146, 161, 170, 44, 202, 154, 42, 162, 41, 169,  
172, 201, 21,  
74, 146, 146, 42, 171, 180, 79, 18, 75, 43, 73, 187, 146, 148, 146, 36, 153, 34, 68,  
73,  
94, 204, 161, 155, 69, 90, 42, 68, 187, 187, 149, 73, 149, 149, 37, 41, 66, 73, 185,  
187,  
153, 153, 43, 36, 148, 146, 153, 146, 41, 187, 180, 185, 43, 178, 91, 187, 187, 247,  
201, 185,  
144, 146, 153, 140, 27, 68, 0, 184, 34, 139, 136, 128, 136, 136, 0, 11, 136, 4, 187,  
176,  
176, 0, 0, 0, 43, 132, 139, 187, 136, 176, 75, 155, 187, 0, 160, 4, 155, 8, 187, 155,  
152, 169, 176, 64, 136, 136, 139, 0, 187, 8, 155, 136, 187, 0, 176, 137, 8, 155, 0,  
128,

75, 187, 128, 0, 2, 36, 4, 197, 34, 180, 0, 128, 180, 64, 187, 9, 144, 176, 180, 0,  
4, 176, 144, 74, 185, 168, 137, 137, 147, 40, 64, 128, 0, 187, 176, 72, 128, 180, 137,  
138,  
137, 10, 0, 155, 180, 0, 155, 9, 42, 68, 185, 153, 176, 186, 152, 176, 75, 148, 80, 11,  
54, 34, 128, 66, 42, 201, 176, 128, 137, 9, 152, 137, 148, 172, 218, 154, 43, 36, 180,  
178,  
66, 8, 155, 11, 11, 130, 43, 11, 185, 148, 75, 101, 11, 41, 156, 184, 41, 4, 4, 184,  
0, 162, 146, 74, 132, 180, 4, 152, 9, 130, 154, 207, 132, 178, 201, 132, 64, 176, 8, 2,  
34, 42, 220, 76, 98, 82, 69, 162, 154, 18, 36, 156, 194, 186, 193, 36, 66, 73, 204,  
137,  
155, 89, 73, 148, 38, 84, 73, 9, 33, 38, 171, 139, 75, 8, 37, 66, 73, 153, 77, 202,  
153, 161, 202, 172, 204, 253, 207, 255, 253, 222, 231, 119, 119, 119, 126, 239, 255,  
255, 207, 252,  
255, 255, 204, 255, 250, 202, 170, 169, 86, 202, 165, 202, 165, 74, 169, 36, 153,  
174, 124, 164,  
41, 180, 178, 89, 73, 11, 181, 171, 148, 185, 153, 144, 68, 180, 187, 187, 153, 185,  
153, 187,  
149, 154, 246, 41, 178, 52, 148, 73, 155, 155, 155, 185, 149, 161, 223, 68, 66, 36,  
41, 155,  
187, 153, 36, 66, 34, 169, 90, 162, 149, 75, 146, 36, 185, 155, 153, 155, 11, 170,  
152, 0,  
75, 154, 136, 130, 43, 176, 184, 176, 176, 176, 136, 152, 8, 153, 139, 136, 0, 128,  
179, 80,  
0, 187, 11, 0, 64, 0, 136, 139, 130, 169, 157, 234, 139, 180, 176, 0, 11, 0, 12, 185,  
128, 155, 36, 187, 136, 184, 0, 72, 0, 4, 153, 0, 0, 136, 11, 0, 9, 0, 8, 68,  
8, 0, 139, 137, 187, 176, 42, 40, 4, 8, 176, 68, 4, 9, 72, 128, 136, 176, 184, 8,  
9, 8, 0, 187, 152, 146, 139, 184, 137, 128, 180, 130, 11, 184, 0, 144, 11, 0, 185, 156,  
185, 128, 8, 9, 66, 64, 4, 0, 154, 144, 157, 200, 139, 3, 152, 0, 11, 45, 153, 68,  
206, 82, 0, 187, 146, 146, 152, 176, 0, 152, 152, 136, 152, 186, 58, 82, 43, 153, 185,  
41,  
139, 187, 149, 0, 75, 180, 4, 73, 153, 132, 11, 36, 155, 152, 75, 187, 166, 148, 165,  
0,  
10, 73, 186, 185, 187, 0, 36, 8, 9, 139, 185, 165, 73, 153, 180, 180, 75, 34, 34, 68,

153, 43, 139, 170, 84, 144, 36, 153, 166, 98, 64, 154, 68, 12, 34, 64, 68, 92, 170,  
146,  
73, 27, 2, 80, 34, 85, 169, 89, 37, 65, 162, 72, 176, 34, 150, 170, 153, 74, 178, 66,  
34, 34, 153, 156, 170, 207, 90, 204, 221, 221, 231, 119, 119, 119, 237, 223, 252,  
204, 204, 204,  
255, 255, 255, 222, 204, 202, 170, 170, 170, 204, 170, 170, 170, 170, 41, 42, 154,  
154, 249, 148,  
89, 153, 68, 187, 186, 185, 185, 153, 73, 180, 180, 185, 9, 68, 146, 146, 203, 178,  
75, 146,  
34, 100, 198, 75, 180, 89, 178, 185, 187, 178, 84, 35, 169, 185, 109, 185, 146, 148,  
66, 155,  
187, 178, 91, 66, 34, 185, 170, 205, 66, 41, 146, 34, 41, 66, 43, 187, 75, 185, 155,  
187,  
175, 152, 152, 128, 180, 8, 0, 128, 139, 176, 184, 136, 128, 136, 184, 176, 8, 0, 153,  
64,  
176, 32, 64, 176, 176, 8, 152, 184, 186, 155, 174, 234, 139, 153, 144, 9, 128, 0, 9,  
160,  
0, 148, 86, 152, 139, 8, 139, 0, 9, 128, 0, 187, 11, 187, 0, 11, 0, 8, 176, 64,  
136, 188, 244, 0, 68, 11, 10, 41, 75, 8, 9, 20, 68, 9, 139, 8, 137, 187, 185, 176,  
168, 128, 176, 75, 178, 130, 4, 0, 4, 144, 184, 176, 11, 128, 139, 176, 184, 75, 136,  
137,  
153, 187, 0, 128, 130, 0, 68, 137, 180, 0, 153, 152, 180, 202, 36, 0, 0, 44, 0, 64,  
37, 132, 73, 11, 149, 187, 144, 169, 139, 137, 152, 137, 136, 66, 170, 156, 127, 155,  
146, 180,  
180, 187, 132, 185, 136, 36, 180, 66, 53, 73, 73, 187, 89, 148, 75, 72, 159, 155, 84,  
64,  
2, 41, 181, 164, 136, 180, 2, 75, 185, 75, 156, 41, 155, 185, 146, 155, 139, 66, 36,  
68,  
91, 164, 73, 154, 50, 201, 75, 73, 146, 46, 106, 148, 153, 182, 66, 155, 4, 42, 169,  
36,  
68, 64, 180, 34, 36, 68, 66, 148, 180, 66, 36, 148, 185, 146, 89, 148, 75, 66, 57, 67,  
34, 36, 154, 170, 170, 161, 220, 204, 253, 253, 238, 119, 119, 126, 239, 252, 172,  
204, 172, 204,

253, 221, 255, 253, 202, 170, 172, 154, 172, 207, 204, 170, 172, 246, 34, 162, 170,  
185, 170, 153,  
100, 68, 187, 144, 73, 146, 148, 34, 148, 73, 149, 187, 68, 73, 34, 42, 28, 75, 148,  
178,  
33, 82, 81, 36, 65, 29, 68, 75, 187, 65, 68, 153, 73, 146, 205, 153, 146, 34, 36, 149,  
73, 180, 75, 75, 187, 187, 154, 155, 68, 73, 153, 177, 201, 41, 155, 73, 187, 73, 75,  
73,  
172, 152, 139, 75, 11, 0, 136, 136, 139, 176, 75, 72, 184, 184, 10, 187, 187, 144, 0,  
11,  
4, 176, 0, 11, 187, 137, 136, 136, 11, 187, 154, 168, 152, 136, 139, 65, 152, 8, 139,  
144,  
176, 11, 153, 152, 0, 176, 152, 8, 136, 144, 0, 139, 4, 75, 8, 64, 128, 128, 132, 4,  
128, 140, 27, 0, 68, 184, 184, 64, 187, 9, 144, 64, 64, 0, 184, 184, 8, 0, 136, 176,  
136, 139, 0, 4, 132, 187, 176, 0, 128, 176, 8, 136, 184, 136, 136, 0, 187, 139, 178,  
137,  
137, 130, 138, 88, 155, 0, 68, 187, 153, 251, 152, 136, 186, 249, 9, 128, 180, 4, 4,  
73,  
139, 180, 185, 148, 132, 68, 187, 43, 11, 42, 187, 66, 136, 34, 250, 186, 239, 43,  
153, 179,  
146, 155, 153, 148, 75, 41, 137, 176, 90, 137, 184, 9, 73, 98, 75, 152, 153, 153, 68,  
66,  
2, 91, 8, 40, 136, 180, 70, 160, 82, 139, 69, 91, 9, 148, 90, 43, 152, 68, 64, 36,  
75, 66, 69, 85, 18, 36, 11, 185, 41, 247, 234, 164, 26, 65, 201, 155, 68, 73, 41, 36,  
153, 34, 153, 153, 4, 68, 75, 139, 68, 68, 148, 34, 11, 9, 173, 250, 34, 153, 89, 37,  
79, 18, 153, 170, 90, 172, 26, 170, 252, 253, 222, 231, 126, 237, 255, 252, 202, 170,  
172, 204,  
253, 238, 221, 255, 204, 170, 170, 202, 175, 255, 255, 204, 165, 211, 162, 89, 146,  
68, 47, 155,  
34, 75, 75, 75, 82, 153, 148, 41, 198, 65, 161, 91, 187, 185, 82, 155, 153, 178, 185,  
146,  
86, 82, 252, 36, 169, 66, 73, 180, 187, 69, 75, 187, 28, 153, 254, 146, 37, 66, 73,  
146,

75, 187, 155, 187, 155, 75, 155, 185, 185, 185, 155, 68, 75, 153, 187, 68, 187, 187,  
66, 34,  
185, 136, 128, 187, 64, 0, 0, 8, 187, 136, 0, 8, 139, 176, 11, 128, 184, 176, 137, 0,  
0, 0, 155, 128, 8, 8, 0, 136, 176, 64, 155, 155, 136, 137, 128, 138, 43, 136, 137, 128,  
0, 11, 152, 178, 137, 128, 8, 9, 0, 0, 176, 68, 11, 64, 0, 0, 0, 8, 132, 8,  
153, 8, 180, 37, 68, 137, 152, 180, 176, 5, 43, 130, 11, 176, 0, 155, 176, 176, 144,  
184,  
155, 0, 176, 178, 32, 75, 0, 176, 148, 184, 0, 0, 139, 137, 187, 176, 185, 184, 146,  
136,  
136, 175, 159, 107, 152, 0, 0, 176, 9, 25, 137, 155, 185, 153, 153, 184, 187, 4, 11,  
136,  
176, 4, 154, 148, 34, 64, 75, 8, 132, 148, 153, 11, 4, 37, 146, 66, 170, 34, 153, 154,  
148, 180, 187, 180, 187, 148, 68, 180, 43, 156, 73, 187, 11, 18, 75, 180, 152, 180,  
75, 144,  
69, 153, 68, 66, 72, 166, 34, 43, 41, 180, 66, 180, 9, 68, 95, 250, 153, 132, 84, 82,  
36, 148, 186, 75, 165, 68, 43, 146, 37, 205, 218, 169, 249, 154, 185, 75, 68, 73, 155,  
43,  
68, 145, 153, 148, 75, 68, 178, 73, 68, 4, 0, 68, 68, 75, 35, 59, 154, 154, 170, 146,  
69, 41, 146, 170, 89, 193, 172, 207, 207, 255, 221, 238, 237, 221, 255, 204, 204,  
204, 204, 207,  
222, 119, 125, 221, 252, 202, 172, 207, 253, 221, 223, 252, 223, 204, 41, 41, 175,  
68, 180, 37,  
146, 185, 187, 187, 180, 37, 84, 146, 85, 145, 169, 171, 180, 180, 34, 153, 153, 155,  
180, 18,  
171, 34, 66, 185, 148, 148, 153, 187, 187, 180, 148, 43, 153, 36, 169, 185, 146, 68,  
178, 185,  
155, 187, 146, 155, 155, 187, 148, 187, 181, 148, 187, 66, 187, 180, 75, 176, 75, 75,  
34, 73,  
136, 152, 137, 128, 64, 0, 184, 8, 187, 136, 0, 184, 176, 11, 128, 80, 139, 0, 184,  
185,  
180, 0, 187, 139, 187, 0, 0, 136, 0, 152, 137, 128, 136, 128, 8, 139, 152, 9, 137, 136,  
8, 130, 155, 139, 128, 0, 0, 128, 128, 0, 4, 187, 0, 64, 176, 64, 187, 155, 152, 11,  
21, 184, 187, 178, 64, 187, 138, 178, 152, 180, 0, 137, 161, 187, 11, 184, 68, 0, 0, 0,

128, 64, 144, 68, 169, 73, 11, 187, 64, 32, 128, 136, 73, 11, 144, 11, 41, 137, 66,  
176,  
187, 132, 187, 36, 187, 187, 0, 187, 2, 84, 43, 198, 153, 139, 185, 176, 73, 4, 9, 8,  
64, 74, 247, 82, 130, 68, 34, 68, 64, 73, 73, 66, 155, 68, 137, 187, 73, 34, 148, 218,  
153, 176, 187, 75, 185, 36, 42, 187, 9, 35, 43, 185, 74, 180, 154, 154, 138, 72, 73,  
187,  
41, 185, 133, 34, 185, 33, 43, 187, 42, 130, 34, 73, 68, 73, 247, 236, 154, 180, 187,  
68,  
75, 66, 187, 4, 165, 41, 36, 65, 33, 101, 154, 148, 41, 163, 162, 169, 34, 136, 36,  
155,  
66, 37, 41, 146, 180, 68, 73, 149, 36, 2, 34, 68, 73, 185, 154, 82, 148, 73, 162, 148,  
164, 148, 73, 170, 175, 86, 28, 172, 252, 205, 221, 222, 221, 223, 252, 204, 252,  
172, 172, 207,  
221, 119, 125, 223, 204, 172, 204, 255, 111, 253, 237, 223, 255, 170, 170, 165, 146,  
153, 41, 146,  
155, 185, 148, 187, 187, 89, 36, 36, 164, 37, 73, 153, 187, 180, 43, 155, 153, 180,  
185, 82,  
68, 34, 43, 180, 185, 178, 180, 176, 187, 66, 155, 43, 185, 153, 153, 185, 155, 73,  
153, 162,  
36, 155, 74, 171, 187, 187, 187, 187, 187, 148, 75, 68, 68, 75, 153, 185, 187, 187,  
148, 75,  
176, 184, 136, 128, 11, 139, 0, 64, 8, 187, 136, 184, 155, 139, 8, 176, 11, 64, 176, 0,  
133, 11, 187, 176, 136, 0, 8, 176, 9, 138, 128, 136, 9, 11, 166, 0, 152, 136, 8, 0,  
128, 138, 187, 139, 64, 8, 8, 176, 0, 128, 9, 180, 11, 64, 201, 64, 136, 184, 11, 128,  
237, 128, 11, 144, 75, 73, 247, 68, 136, 176, 128, 0, 163, 144, 64, 64, 64, 144, 136,  
64,  
139, 52, 128, 2, 60, 128, 0, 187, 139, 170, 152, 136, 176, 4, 152, 9, 155, 164, 75, 4,  
8, 154, 169, 68, 11, 176, 0, 187, 2, 0, 8, 75, 106, 185, 187, 176, 180, 139, 184, 8,  
130, 43, 173, 34, 170, 66, 41, 32, 185, 153, 148, 11, 153, 148, 184, 187, 146, 82,  
187, 36,  
187, 4, 176, 187, 5, 68, 252, 36, 148, 152, 153, 68, 137, 34, 175, 250, 168, 137, 152,  
153,



154, 152, 68, 64, 66, 42, 42, 68, 11, 178, 43, 153, 184, 36, 206, 213, 41, 155, 34,  
148,  
68, 34, 36, 155, 25, 132, 176, 64, 65, 82, 43, 72, 154, 66, 173, 244, 68, 184, 4, 68,  
73, 246, 34, 132, 180, 187, 180, 178, 75, 73, 66, 69, 66, 69, 34, 37, 36, 169, 186,  
187,  
153, 153, 154, 60, 206, 250, 170, 165, 204, 253, 239, 253, 223, 255, 204, 204, 202,  
170, 170, 207,  
253, 238, 237, 252, 204, 170, 172, 204, 193, 254, 61, 61, 60, 202, 37, 111, 153, 178,  
34, 43,  
187, 75, 43, 75, 153, 74, 41, 148, 154, 68, 180, 185, 153, 180, 34, 180, 187, 185,  
155, 68,  
73, 84, 66, 34, 70, 18, 155, 75, 180, 180, 187, 68, 186, 164, 185, 180, 41, 43, 146,  
113,  
155, 164, 156, 89, 75, 75, 180, 75, 187, 68, 185, 154, 36, 187, 185, 187, 180, 185,  
153, 180,  
136, 88, 187, 128, 9, 176, 176, 128, 176, 8, 184, 132, 139, 132, 64, 187, 11, 187,  
128, 0,  
8, 8, 132, 8, 176, 180, 9, 128, 136, 152, 4, 136, 0, 176, 176, 0, 8, 200, 184, 128,  
0, 128, 73, 128, 139, 8, 11, 0, 136, 0, 9, 138, 36, 64, 155, 0, 152, 169, 137, 128,  
68, 139, 36, 128, 73, 168, 175, 155, 137, 176, 176, 132, 144, 176, 185, 176, 0, 73, 0,  
11,  
0, 152, 75, 9, 168, 144, 187, 176, 136, 170, 153, 168, 176, 11, 128, 154, 154, 139, 8,  
176,  
9, 175, 234, 136, 64, 8, 0, 128, 180, 11, 8, 72, 152, 137, 75, 176, 0, 132, 4, 11,  
155, 75, 128, 154, 127, 149, 80, 4, 185, 74, 43, 153, 207, 196, 32, 73, 153, 137, 139,  
146,  
185, 184, 185, 176, 187, 72, 64, 83, 82, 180, 154, 106, 74, 202, 206, 236, 169, 169,  
137, 153,  
172, 88, 4, 73, 152, 180, 167, 82, 5, 32, 153, 152, 185, 82, 202, 194, 169, 144, 185,  
252,  
9, 186, 36, 146, 162, 180, 8, 66, 180, 68, 75, 153, 34, 34, 44, 196, 11, 185, 11, 146,  
95, 231, 91, 73, 66, 64, 11, 180, 43, 64, 181, 44, 100, 165, 197, 42, 34, 72, 176, 32,

43, 187, 154, 170, 162, 149, 204, 170, 204, 252, 204, 206, 252, 204, 204, 170, 202,  
207, 202, 172,  
253, 221, 223, 252, 202, 170, 170, 172, 255, 253, 237, 254, 229, 202, 170, 169, 153,  
74, 149, 153,  
187, 187, 187, 185, 155, 74, 153, 185, 36, 187, 182, 164, 34, 34, 66, 146, 41, 154,  
43, 178,  
35, 82, 46, 50, 44, 114, 187, 185, 187, 73, 75, 176, 180, 43, 76, 84, 210, 187, 166,  
63,  
155, 89, 73, 153, 108, 187, 187, 185, 155, 187, 187, 185, 75, 75, 180, 187, 187, 185,  
176, 185,  
153, 184, 128, 8, 8, 0, 8, 139, 0, 0, 8, 176, 4, 8, 184, 187, 68, 8, 152, 128,  
0, 176, 184, 0, 8, 169, 139, 136, 128, 0, 137, 187, 136, 152, 136, 128, 8, 153, 137,  
136,  
184, 187, 153, 128, 139, 0, 136, 0, 136, 0, 8, 154, 234, 152, 139, 0, 11, 152, 136,  
128,  
136, 187, 11, 185, 78, 122, 186, 136, 152, 8, 128, 180, 137, 136, 4, 139, 184, 152,  
11, 176,  
8, 144, 139, 185, 11, 4, 0, 8, 155, 155, 136, 138, 136, 144, 137, 185, 170, 168, 136,  
137,  
184, 154, 219, 128, 139, 0, 139, 0, 185, 0, 187, 184, 152, 155, 75, 73, 184, 144, 128,  
136,  
153, 160, 90, 152, 250, 180, 36, 82, 9, 41, 137, 156, 231, 218, 148, 40, 136, 132, 64,  
138,  
153, 152, 185, 64, 148, 130, 75, 149, 107, 66, 186, 220, 186, 154, 207, 202, 170,  
172, 218, 34,  
43, 168, 34, 149, 168, 176, 149, 42, 80, 0, 9, 171, 4, 36, 2, 34, 68, 146, 176, 178,  
43, 154, 162, 68, 73, 146, 4, 68, 34, 44, 169, 154, 146, 76, 146, 34, 136, 180, 84,  
132,  
206, 213, 36, 40, 166, 4, 10, 36, 180, 4, 137, 178, 26, 66, 89, 34, 84, 68, 155, 169,  
36, 153, 153, 170, 170, 162, 92, 37, 204, 204, 204, 29, 252, 252, 202, 170, 170, 172,  
202, 170,  
255, 253, 255, 204, 170, 154, 202, 202, 252, 253, 97, 165, 250, 146, 154, 107, 155,  
186, 185, 178,

75, 187, 75, 187, 155, 75, 41, 187, 148, 69, 185, 148, 37, 171, 161, 42, 170, 36, 75,  
41,  
34, 34, 145, 170, 118, 162, 153, 185, 187, 180, 169, 187, 185, 180, 149, 162, 66,  
146, 69, 68,  
187, 185, 185, 36, 178, 187, 185, 156, 171, 187, 185, 66, 185, 180, 187, 43, 187,  
187, 187, 186,  
121, 137, 0, 8, 139, 0, 11, 184, 9, 176, 8, 184, 187, 4, 8, 4, 176, 8, 136, 8,  
187, 136, 0, 0, 184, 155, 144, 136, 136, 64, 8, 11, 139, 152, 9, 64, 0, 136, 136, 128,  
11, 180, 136, 139, 0, 0, 32, 0, 133, 64, 185, 156, 127, 136, 155, 0, 0, 136, 138, 136,  
153, 139, 75, 144, 76, 249, 152, 11, 136, 136, 0, 72, 8, 0, 8, 176, 152, 152, 139, 176,  
184, 136, 0, 136, 75, 64, 136, 136, 137, 0, 187, 137, 155, 41, 137, 170, 204, 170,  
152, 153,  
139, 136, 132, 72, 185, 4, 72, 136, 152, 132, 155, 69, 136, 11, 2, 73, 184, 153, 171,  
0,  
191, 88, 146, 9, 168, 68, 76, 32, 188, 25, 153, 242, 206, 202, 136, 8, 155, 75, 155,  
187,  
185, 152, 153, 37, 64, 11, 105, 180, 68, 73, 73, 152, 202, 185, 156, 170, 170, 154,  
194, 42,  
185, 130, 146, 153, 155, 187, 83, 93, 171, 187, 69, 20, 75, 36, 66, 144, 148, 33, 32,  
180,  
170, 174, 209, 91, 41, 36, 153, 187, 181, 199, 197, 162, 169, 130, 137, 91, 153, 137,  
153, 89,  
178, 34, 36, 148, 68, 75, 149, 146, 65, 68, 162, 176, 146, 70, 194, 148, 69, 8, 155,  
153,  
154, 36, 185, 175, 194, 34, 90, 154, 85, 204, 204, 19, 252, 204, 252, 202, 202, 170,  
205, 170,  
204, 255, 252, 252, 170, 154, 170, 170, 172, 252, 204, 204, 197, 170, 154, 153, 154,  
164, 146, 178,  
66, 75, 75, 73, 185, 74, 91, 185, 185, 75, 185, 148, 186, 41, 103, 28, 44, 245, 68,  
153,  
75, 43, 170, 170, 61, 162, 41, 185, 155, 187, 186, 153, 153, 68, 68, 181, 73, 178, 74,  
252,

185, 75, 187, 178, 171, 75, 187, 158, 85, 43, 81, 73, 148, 178, 185, 43, 11, 187, 180,  
155,  
196, 8, 136, 0, 128, 132, 0, 8, 8, 0, 136, 176, 8, 0, 176, 8, 136, 9, 136, 132,  
72, 144, 0, 0, 0, 184, 176, 139, 0, 11, 136, 11, 0, 128, 152, 176, 0, 11, 152, 155,  
8, 0, 0, 0, 4, 8, 64, 128, 132, 64, 152, 153, 168, 187, 128, 0, 136, 136, 137, 139,  
185, 187, 187, 0, 66, 148, 0, 9, 72, 0, 0, 128, 0, 8, 11, 68, 169, 152, 2, 152,  
128, 0, 187, 0, 75, 43, 11, 137, 136, 139, 136, 184, 155, 72, 154, 173, 238, 250, 170,  
169,  
137, 132, 184, 8, 130, 68, 9, 4, 137, 245, 168, 2, 89, 187, 180, 68, 185, 155, 137,  
180,  
5, 155, 169, 9, 42, 176, 148, 84, 42, 139, 73, 168, 90, 137, 155, 185, 139, 138, 40,  
187,  
185, 155, 185, 36, 187, 185, 43, 187, 146, 68, 153, 153, 196, 36, 153, 154, 153, 137,  
153, 42,  
176, 32, 2, 34, 153, 32, 33, 204, 153, 152, 148, 36, 35, 36, 75, 41, 74, 204, 162, 154,  
180, 241, 85, 95, 244, 75, 73, 164, 186, 166, 91, 170, 154, 146, 173, 122, 155, 41,  
155, 66,  
68, 66, 66, 180, 73, 73, 40, 75, 68, 32, 34, 36, 36, 74, 64, 66, 68, 73, 185, 169,  
146, 64, 155, 154, 34, 34, 170, 162, 170, 207, 204, 205, 252, 202, 202, 170, 170,  
170, 170, 170,  
170, 205, 238, 250, 170, 137, 162, 170, 172, 204, 204, 172, 89, 162, 169, 184, 75,  
164, 154, 180,  
180, 75, 75, 75, 187, 185, 36, 73, 74, 105, 185, 187, 154, 43, 174, 106, 173, 202,  
153, 180,  
75, 155, 154, 154, 165, 25, 43, 187, 155, 187, 187, 155, 85, 185, 148, 68, 155, 68,  
176, 220,  
139, 75, 155, 75, 73, 187, 73, 180, 66, 91, 154, 75, 187, 181, 164, 153, 69, 187, 73,  
155,  
11, 176, 136, 8, 128, 8, 136, 8, 11, 8, 155, 0, 75, 137, 0, 184, 139, 0, 152, 11,  
184, 128, 8, 184, 0, 64, 8, 128, 128, 4, 64, 4, 64, 11, 0, 11, 152, 8, 153, 139,  
9, 176, 136, 0, 9, 153, 64, 176, 8, 0, 163, 152, 169, 139, 8, 11, 11, 139, 155, 0,  
185, 255, 68, 0, 64, 66, 155, 128, 154, 128, 11, 152, 8, 136, 8, 196, 136, 128, 132,  
75,

64, 8, 0, 11, 132, 32, 8, 153, 155, 152, 184, 8, 11, 176, 154, 253, 126, 220, 202, 153,  
152, 139, 184, 136, 0, 176, 176, 9, 168, 245, 180, 75, 43, 64, 176, 176, 187, 66, 137,  
68,  
72, 176, 128, 2, 148, 11, 184, 2, 201, 132, 36, 153, 154, 152, 139, 136, 187, 137,  
186, 155,  
66, 168, 188, 187, 73, 185, 155, 75, 187, 187, 73, 185, 74, 18, 184, 139, 136, 138,  
153, 171,  
178, 64, 34, 89, 152, 136, 207, 105, 132, 73, 146, 36, 193, 86, 164, 185, 172, 111,  
255, 194,  
75, 73, 130, 172, 25, 170, 85, 153, 159, 26, 84, 153, 153, 34, 174, 226, 73, 155, 42,  
18,  
146, 66, 66, 69, 82, 42, 102, 75, 180, 37, 25, 73, 180, 43, 40, 34, 64, 4, 36, 154,  
91, 64, 155, 148, 154, 146, 90, 205, 202, 198, 204, 205, 250, 170, 172, 26, 173, 250,  
170, 154,  
170, 175, 215, 250, 170, 169, 154, 85, 170, 92, 211, 21, 170, 42, 153, 152, 180, 43,  
187, 180,  
187, 185, 180, 36, 75, 68, 33, 68, 36, 242, 33, 186, 41, 43, 153, 153, 195, 170, 41,  
187,  
73, 148, 153, 147, 101, 66, 75, 185, 187, 146, 155, 73, 36, 148, 68, 36, 91, 43, 187,  
152,  
187, 73, 148, 185, 75, 186, 91, 185, 153, 155, 41, 34, 187, 157, 20, 153, 84, 75, 185,  
187,  
0, 128, 139, 176, 128, 64, 144, 137, 9, 8, 139, 128, 184, 176, 0, 139, 0, 11, 0, 11,  
0, 8, 8, 0, 0, 68, 0, 185, 128, 128, 0, 2, 64, 187, 0, 136, 136, 11, 136, 136,  
154, 176, 155, 187, 68, 128, 0, 4, 11, 0, 138, 91, 11, 180, 132, 176, 176, 155, 128, 0,  
185, 207, 64, 0, 0, 185, 136, 187, 0, 11, 8, 136, 0, 176, 8, 220, 137, 160, 187, 72,  
64, 185, 11, 9, 11, 176, 136, 154, 128, 137, 128, 128, 11, 136, 153, 173, 238, 252,  
170, 159,  
169, 169, 75, 184, 187, 9, 176, 9, 132, 68, 75, 187, 176, 176, 128, 128, 0, 139, 155,  
68,  
64, 11, 148, 146, 152, 184, 9, 68, 73, 180, 73, 41, 180, 137, 139, 11, 128, 8, 153,  
155,

154, 155, 156, 184, 178, 41, 146, 137, 187, 64, 187, 187, 148, 178, 11, 176, 185,  
152, 185, 153,  
164, 68, 42, 155, 187, 185, 146, 41, 128, 184, 66, 68, 69, 69, 168, 165, 175, 205,  
221, 245,  
152, 194, 130, 73, 74, 170, 21, 66, 156, 202, 213, 43, 40, 81, 83, 242, 153, 187, 5,  
225,  
37, 73, 66, 34, 34, 36, 85, 181, 89, 18, 43, 36, 137, 165, 34, 37, 34, 36, 72, 138,  
73, 139, 185, 186, 66, 169, 153, 172, 170, 172, 197, 109, 204, 170, 170, 156, 175,  
201, 153, 169,  
154, 172, 175, 202, 169, 162, 154, 214, 172, 170, 194, 161, 154, 154, 153, 152, 153,  
82, 75, 180,  
180, 187, 185, 91, 75, 75, 180, 82, 73, 43, 41, 42, 153, 155, 153, 180, 149, 210, 171,  
68,  
66, 149, 172, 161, 84, 37, 185, 176, 185, 213, 187, 146, 187, 36, 75, 36, 75, 153,  
187, 187,  
9, 155, 185, 178, 187, 146, 171, 185, 153, 155, 169, 74, 41, 165, 25, 154, 107, 187,  
187, 153,  
176, 187, 72, 0, 11, 128, 0, 176, 136, 8, 152, 0, 8, 128, 136, 11, 11, 0, 0, 187,  
0, 9, 0, 0, 8, 144, 128, 9, 8, 128, 185, 0, 64, 176, 8, 0, 139, 184, 152, 139,  
130, 178, 187, 8, 8, 9, 11, 8, 0, 0, 8, 152, 0, 139, 0, 4, 184, 137, 139, 73,  
137, 152, 180, 75, 184, 152, 155, 176, 11, 0, 11, 136, 8, 176, 180, 176, 188, 219, 0,  
9,  
0, 0, 176, 184, 0, 11, 11, 0, 8, 152, 187, 0, 11, 11, 136, 175, 255, 204, 169, 138,  
219, 155, 187, 184, 75, 186, 8, 136, 8, 4, 144, 0, 128, 68, 32, 11, 187, 187, 9, 187,  
187, 8, 180, 11, 187, 187, 148, 75, 187, 41, 162, 72, 187, 152, 184, 184, 11, 184,  
152, 155,  
34, 153, 180, 153, 187, 153, 169, 139, 187, 185, 144, 148, 189, 242, 187, 11, 8, 132,  
43, 153,  
164, 75, 150, 91, 184, 152, 153, 146, 176, 152, 75, 185, 5, 4, 41, 33, 26, 29, 119, 53,  
137, 53, 201, 76, 41, 255, 68, 73, 82, 74, 194, 73, 180, 185, 34, 17, 68, 184, 66, 63,  
82, 36, 32, 187, 180, 37, 52, 73, 180, 84, 153, 40, 153, 166, 133, 32, 68, 69, 32, 154,  
153, 155, 153, 185, 185, 153, 153, 154, 170, 170, 197, 29, 202, 170, 170, 170, 170,  
170, 169, 170,

137, 170, 175, 170, 169, 152, 170, 162, 85, 170, 43, 154, 172, 155, 75, 73, 136, 36,  
75, 66,  
164, 187, 146, 187, 187, 171, 36, 75, 180, 153, 73, 169, 154, 89, 153, 180, 74, 226,  
153, 153,  
187, 186, 222, 169, 146, 34, 68, 36, 185, 171, 9, 187, 148, 73, 187, 68, 36, 153, 153,  
153,  
187, 187, 187, 181, 187, 146, 185, 187, 153, 73, 66, 42, 85, 93, 194, 148, 36, 187,  
187, 187,  
152, 139, 0, 8, 155, 176, 176, 136, 184, 8, 176, 0, 180, 4, 0, 128, 9, 128, 0, 75,  
148, 8, 0, 0, 136, 176, 0, 136, 185, 168, 0, 176, 0, 187, 130, 176, 152, 136, 136, 184,  
4, 180, 64, 144, 128, 143, 34, 184, 64, 176, 136, 4, 32, 0, 75, 128, 155, 149, 136,  
137,  
139, 136, 187, 178, 185, 139, 84, 75, 128, 184, 176, 139, 4, 176, 4, 144, 8, 187, 187,  
148,  
4, 11, 0, 0, 144, 184, 128, 8, 128, 152, 0, 11, 0, 176, 185, 170, 202, 170, 169, 156,  
226, 75, 187, 176, 176, 8, 153, 128, 187, 75, 184, 8, 137, 73, 68, 0, 185, 75, 184,  
132,  
187, 184, 178, 64, 73, 41, 11, 11, 11, 11, 146, 155, 184, 153, 184, 73, 137, 6, 201,  
185,  
41, 194, 146, 11, 75, 180, 152, 75, 136, 34, 84, 148, 79, 242, 0, 187, 185, 187, 80,  
185,  
187, 187, 34, 34, 186, 152, 184, 178, 187, 137, 4, 144, 73, 18, 2, 37, 90, 199, 126,  
25,  
139, 178, 146, 65, 16, 170, 9, 146, 20, 41, 132, 153, 154, 148, 75, 37, 68, 164, 73,  
34,  
68, 68, 18, 180, 75, 41, 68, 73, 153, 20, 68, 21, 75, 74, 154, 64, 139, 66, 80, 154,  
162, 144, 139, 152, 73, 153, 169, 154, 170, 170, 170, 175, 252, 170, 169, 170, 170,  
170, 170, 153,  
153, 170, 170, 170, 153, 153, 153, 185, 146, 154, 153, 153, 243, 66, 32, 137, 155,  
66, 75, 34,  
187, 187, 162, 75, 252, 226, 36, 75, 187, 73, 170, 161, 154, 43, 75, 178, 185, 171,  
153, 153,

153, 73, 207, 168, 137, 164, 36, 187, 185, 68, 185, 180, 165, 166, 11, 180, 73, 172,  
18, 25,  
36, 176, 187, 187, 180, 180, 148, 155, 187, 178, 170, 193, 255, 81, 186, 148, 180,  
98, 75, 153,  
128, 152, 128, 0, 184, 136, 8, 136, 184, 187, 137, 144, 4, 0, 11, 0, 8, 176, 128, 187,  
137, 185, 8, 8, 155, 0, 128, 136, 9, 57, 184, 176, 0, 128, 169, 69, 155, 184, 0, 176,  
136, 155, 0, 0, 136, 138, 36, 11, 36, 64, 136, 132, 0, 176, 8, 184, 138, 42, 155, 136,  
0, 152, 176, 181, 204, 140, 48, 187, 64, 11, 144, 152, 41, 176, 139, 73, 181, 136, 8,  
72,  
144, 0, 136, 139, 136, 11, 0, 128, 64, 0, 8, 128, 176, 11, 187, 137, 202, 154, 136,  
137,  
130, 0, 153, 0, 136, 9, 152, 132, 11, 2, 162, 180, 4, 11, 202, 153, 139, 41, 137, 155,  
187, 185, 164, 64, 12, 105, 139, 136, 176, 139, 136, 43, 176, 137, 139, 18, 155, 9,  
168, 132,  
187, 18, 75, 11, 132, 73, 144, 180, 11, 152, 187, 36, 41, 60, 184, 75, 169, 180, 11,  
74,  
187, 163, 211, 34, 187, 152, 185, 2, 66, 170, 187, 41, 162, 242, 9, 42, 83, 205, 223,  
169,  
148, 178, 72, 37, 64, 164, 5, 20, 75, 155, 68, 187, 172, 169, 73, 36, 187, 148, 4, 34,  
66, 21, 42, 66, 196, 146, 43, 153, 169, 27, 36, 37, 68, 41, 171, 8, 178, 201, 88, 146,  
185, 66, 149, 153, 84, 148, 153, 156, 172, 242, 204, 31, 202, 170, 170, 154, 253,  
170, 153, 154,  
153, 106, 170, 169, 154, 137, 153, 146, 169, 43, 73, 153, 164, 162, 137, 137, 185,  
187, 197, 85,  
43, 75, 68, 153, 172, 229, 180, 187, 185, 75, 73, 155, 89, 185, 169, 187, 153, 187,  
178, 148,  
68, 73, 170, 169, 36, 73, 164, 180, 75, 146, 37, 180, 66, 81, 148, 34, 18, 92, 148,  
153,  
164, 148, 152, 155, 187, 187, 159, 146, 153, 34, 92, 255, 54, 194, 180, 68, 155, 148,  
187, 187,  
153, 171, 84, 0, 139, 128, 8, 187, 64, 9, 144, 187, 4, 68, 144, 0, 8, 128, 139, 132,  
153, 184, 137, 136, 0, 8, 139, 0, 137, 153, 64, 176, 0, 128, 137, 178, 75, 184, 9, 176,  
152, 64, 4, 176, 178, 144, 152, 178, 4, 75, 153, 132, 69, 11, 0, 64, 139, 204, 144, 9,



128, 137, 187, 139, 144, 184, 184, 0, 0, 76, 210, 146, 0, 8, 187, 144, 156, 8, 0, 11,  
64, 8, 136, 136, 8, 8, 8, 128, 176, 0, 137, 11, 8, 0, 128, 152, 169, 136, 153, 153,  
176, 185, 153, 187, 139, 66, 201, 139, 128, 11, 144, 9, 72, 185, 127, 137, 130, 175,  
250, 187,  
64, 187, 82, 43, 178, 148, 162, 176, 176, 185, 153, 75, 36, 41, 132, 245, 68, 0, 75,  
66,  
43, 68, 180, 43, 176, 4, 155, 0, 72, 11, 148, 138, 178, 194, 187, 162, 72, 137, 73, 11,  
188, 19, 170, 153, 176, 162, 202, 138, 75, 166, 4, 187, 137, 98, 75, 146, 44, 165,  
202, 154,  
132, 73, 69, 34, 64, 4, 41, 132, 153, 186, 176, 178, 247, 218, 43, 64, 187, 184, 64,  
69,  
82, 204, 72, 149, 36, 66, 32, 180, 153, 155, 11, 9, 184, 163, 32, 64, 137, 139, 68, 4,  
41, 42, 153, 4, 177, 98, 162, 162, 154, 218, 165, 175, 202, 170, 170, 170, 253, 202,  
153, 168,  
153, 170, 173, 169, 136, 153, 153, 133, 146, 148, 155, 180, 169, 164, 152, 153, 186,  
152, 69, 210,  
75, 64, 9, 153, 153, 43, 185, 43, 187, 11, 33, 187, 34, 73, 155, 75, 146, 164, 153, 73,  
187, 155, 153, 152, 41, 34, 169, 64, 180, 69, 176, 148, 68, 185, 187, 155, 180, 74,  
178, 153,  
73, 165, 75, 153, 187, 11, 163, 201, 9, 154, 22, 222, 63, 250, 155, 180, 155, 178,  
171, 187,  
158, 218, 139, 153, 152, 148, 139, 187, 8, 136, 0, 11, 64, 0, 4, 0, 137, 0, 66, 72,  
143, 136, 136, 128, 4, 155, 176, 0, 128, 176, 136, 11, 128, 11, 0, 0, 11, 0, 8, 0,  
185, 187, 0, 152, 156, 160, 185, 41, 9, 176, 185, 136, 165, 128, 0, 8, 184, 138, 164,  
11,  
0, 73, 155, 187, 187, 8, 144, 128, 128, 9, 43, 184, 139, 73, 0, 0, 148, 139, 148, 32,  
0, 139, 176, 184, 187, 139, 8, 171, 139, 2, 137, 136, 11, 9, 8, 153, 137, 137, 253,  
220,  
138, 136, 137, 9, 148, 9, 169, 4, 144, 152, 176, 136, 139, 9, 82, 201, 180, 199, 122,  
153,  
148, 137, 106, 246, 180, 155, 4, 43, 155, 4, 155, 187, 68, 74, 168, 146, 176, 176, 43,  
185,

213, 187, 73, 184, 178, 73, 176, 132, 32, 0, 187, 128, 11, 139, 144, 180, 8, 66, 187,  
180,  
138, 201, 153, 146, 130, 169, 155, 178, 43, 185, 137, 2, 162, 98, 41, 34, 68, 18, 204,  
41,  
153, 162, 137, 34, 73, 82, 80, 155, 180, 73, 187, 178, 93, 201, 73, 187, 137, 68, 4,  
68,  
84, 40, 90, 21, 36, 82, 73, 171, 178, 187, 4, 176, 148, 136, 176, 132, 185, 148, 146,  
66,  
4, 172, 2, 69, 154, 34, 34, 44, 42, 165, 170, 172, 202, 170, 170, 165, 156, 169, 178,  
138,  
154, 202, 153, 42, 153, 137, 146, 36, 187, 75, 145, 185, 186, 171, 132, 154, 154,  
180, 42, 98,  
65, 68, 146, 43, 187, 162, 185, 155, 185, 155, 36, 68, 211, 89, 180, 149, 169, 43, 82,  
34,  
68, 155, 152, 152, 156, 98, 249, 186, 66, 187, 11, 180, 187, 75, 187, 187, 187, 153,  
180, 36,  
73, 148, 185, 178, 36, 187, 178, 75, 186, 18, 207, 238, 220, 90, 36, 66, 155, 180,  
153, 155,  
45, 217, 128, 0, 0, 8, 187, 176, 184, 8, 68, 75, 139, 180, 68, 64, 187, 136, 0, 11,  
167, 169, 152, 176, 11, 68, 75, 8, 8, 0, 187, 187, 8, 128, 0, 132, 0, 128, 152, 0,  
0, 185, 0, 0, 188, 32, 8, 43, 184, 176, 187, 176, 128, 8, 11, 11, 184, 152, 148, 11,  
0, 152, 176, 187, 176, 137, 176, 128, 0, 8, 184, 137, 8, 0, 176, 0, 11, 0, 150, 0,  
0, 184, 176, 136, 144, 176, 184, 73, 152, 8, 132, 152, 187, 136, 75, 185, 152, 136,  
186, 239,  
153, 152, 155, 137, 32, 0, 137, 139, 68, 146, 136, 64, 187, 176, 144, 47, 155, 157,  
250, 148,  
184, 75, 36, 253, 155, 176, 187, 185, 176, 69, 198, 36, 66, 185, 187, 187, 148, 75,  
11, 153,  
245, 155, 36, 72, 64, 75, 187, 187, 36, 11, 128, 0, 11, 155, 0, 36, 168, 184, 0, 0,  
137, 153, 169, 155, 4, 153, 187, 133, 229, 148, 9, 64, 180, 25, 146, 84, 180, 74, 207,  
162,  
153, 43, 153, 153, 146, 37, 68, 155, 68, 153, 36, 68, 156, 169, 153, 132, 66, 146, 68,  
153,

154, 149, 82, 82, 69, 252, 154, 139, 178, 97, 32, 176, 159, 169, 180, 172, 169, 153,  
85, 242,  
89, 34, 66, 75, 152, 85, 84, 81, 170, 154, 42, 175, 202, 169, 161, 154, 154, 170, 154,  
155,  
152, 175, 153, 170, 152, 154, 161, 21, 47, 34, 86, 178, 153, 136, 36, 8, 58, 153, 65,  
53,  
68, 66, 146, 75, 185, 43, 153, 155, 75, 153, 42, 185, 37, 68, 148, 36, 154, 75, 185,  
146,  
187, 155, 148, 153, 159, 50, 75, 66, 20, 139, 181, 11, 11, 11, 68, 180, 75, 176, 180,  
73,  
155, 187, 148, 187, 170, 155, 146, 185, 180, 28, 111, 238, 220, 172, 41, 155, 153,  
178, 187, 155,  
73, 169, 139, 11, 176, 9, 139, 4, 139, 64, 68, 11, 176, 128, 68, 0, 152, 139, 128, 137,  
186, 136, 155, 176, 0, 0, 176, 176, 128, 11, 176, 184, 128, 176, 184, 136, 176, 0,  
168, 0,  
11, 176, 148, 0, 8, 0, 11, 64, 184, 155, 41, 128, 144, 184, 0, 180, 9, 0, 11, 2,  
64, 180, 0, 75, 184, 184, 11, 8, 176, 8, 0, 11, 8, 11, 11, 137, 11, 8, 154, 128,  
0, 152, 9, 136, 130, 184, 187, 136, 138, 0, 129, 240, 75, 68, 187, 73, 153, 0, 185,  
201,  
184, 168, 155, 176, 2, 0, 73, 152, 8, 153, 139, 146, 11, 137, 64, 176, 72, 154, 201,  
146,  
139, 184, 187, 153, 187, 180, 187, 180, 64, 2, 34, 66, 68, 73, 152, 148, 36, 68, 34,  
187,  
153, 146, 73, 43, 68, 187, 187, 139, 2, 64, 185, 43, 187, 187, 11, 0, 136, 143, 36,  
128,  
153, 137, 130, 36, 4, 91, 176, 33, 18, 148, 185, 153, 185, 37, 180, 34, 34, 138, 207,  
170,  
153, 64, 184, 137, 81, 66, 68, 68, 169, 152, 139, 137, 187, 40, 152, 187, 68, 150, 43,  
156,  
195, 180, 164, 66, 47, 115, 250, 168, 146, 162, 43, 184, 41, 40, 73, 255, 152, 146,  
21, 127,  
185, 85, 0, 67, 169, 82, 153, 36, 164, 28, 154, 207, 170, 170, 170, 153, 169, 202,  
152, 41,

72, 170, 154, 155, 72, 152, 73, 73, 45, 25, 169, 72, 185, 148, 34, 73, 250, 166, 41,  
148,  
34, 148, 43, 155, 4, 91, 187, 185, 169, 188, 25, 187, 187, 75, 73, 34, 89, 187, 153,  
153,  
187, 153, 68, 73, 153, 64, 185, 153, 148, 187, 34, 180, 180, 187, 155, 68, 187, 187,  
176, 187,  
146, 41, 194, 180, 49, 187, 153, 187, 73, 161, 253, 231, 236, 202, 162, 153, 155,  
187, 180, 185,  
11, 136, 139, 0, 176, 144, 8, 176, 187, 213, 0, 0, 8, 176, 0, 187, 184, 136, 136, 128,  
184, 184, 176, 176, 64, 75, 176, 136, 0, 0, 136, 184, 9, 128, 8, 184, 128, 8, 0, 8,  
128, 11, 128, 0, 128, 176, 128, 68, 9, 73, 201, 128, 138, 251, 11, 180, 137, 184, 9, 4,  
64, 2, 0, 187, 8, 0, 0, 0, 72, 0, 8, 185, 0, 176, 176, 11, 4, 64, 155, 0,  
66, 152, 128, 9, 146, 11, 8, 136, 136, 4, 185, 72, 187, 66, 148, 187, 139, 5, 41, 139,  
184, 155, 144, 139, 68, 68, 155, 196, 73, 72, 178, 36, 187, 148, 176, 38, 180, 154,  
138, 137,  
187, 11, 34, 75, 187, 73, 152, 139, 41, 9, 185, 137, 187, 68, 73, 187, 66, 82, 162,  
146,  
152, 185, 155, 187, 187, 11, 138, 176, 180, 0, 146, 136, 68, 43, 132, 152, 154, 76,  
171, 184,  
185, 139, 146, 68, 66, 11, 84, 66, 75, 75, 72, 187, 41, 43, 4, 68, 73, 154, 42, 84,  
8, 69, 75, 137, 75, 68, 19, 36, 153, 152, 187, 180, 73, 68, 73, 75, 136, 65, 171, 41,  
222, 34, 188, 37, 85, 220, 240, 2, 137, 139, 180, 178, 41, 89, 153, 223, 169, 75, 73,  
21,  
171, 36, 73, 188, 146, 100, 138, 68, 66, 197, 149, 108, 202, 170, 148, 73, 169, 153,  
137, 153,  
101, 42, 153, 155, 9, 153, 170, 170, 133, 169, 185, 187, 185, 146, 68, 152, 136, 197,  
132, 37,  
66, 73, 8, 197, 82, 43, 11, 185, 90, 154, 203, 187, 185, 148, 181, 42, 89, 41, 193,  
155,  
187, 41, 89, 145, 164, 75, 73, 153, 155, 187, 69, 155, 153, 37, 187, 180, 164, 180,  
180, 187,  
153, 148, 185, 187, 82, 75, 187, 146, 149, 170, 166, 55, 218, 169, 172, 202, 73, 155,  
73, 155,

128, 136, 0, 0, 4, 11, 0, 11, 0, 164, 0, 11, 136, 4, 8, 0, 139, 139, 136, 187,  
8, 187, 128, 8, 184, 128, 176, 176, 176, 184, 0, 8, 0, 8, 155, 64, 136, 128, 0, 187,  
136, 132, 128, 11, 176, 137, 74, 164, 9, 153, 152, 152, 11, 11, 153, 139, 184, 136,  
176, 176,  
68, 185, 0, 11, 64, 11, 11, 0, 64, 11, 152, 184, 128, 176, 176, 0, 75, 184, 185, 139,  
73, 8, 187, 152, 128, 144, 139, 187, 0, 184, 132, 11, 9, 75, 72, 187, 25, 132, 72, 155,  
0, 0, 11, 137, 128, 4, 75, 187, 144, 75, 66, 73, 73, 144, 66, 34, 180, 42, 153, 128,  
11, 132, 75, 176, 155, 187, 34, 187, 155, 187, 184, 153, 139, 180, 36, 180, 180, 47,  
250, 73,  
185, 159, 169, 154, 136, 180, 75, 176, 0, 4, 137, 187, 184, 146, 184, 41, 26, 68, 11,  
132,  
136, 187, 179, 80, 178, 68, 64, 180, 9, 181, 43, 180, 9, 84, 64, 4, 133, 66, 9, 66,  
75, 4, 66, 42, 75, 34, 19, 34, 186, 152, 180, 66, 171, 0, 187, 4, 66, 72, 32, 41,  
44, 34, 64, 68, 68, 155, 171, 184, 148, 148, 64, 66, 73, 90, 137, 119, 88, 148, 2, 147,  
100, 64, 185, 137, 66, 153, 133, 68, 86, 34, 43, 90, 172, 170, 187, 153, 153, 153,  
201, 139,  
33, 169, 170, 146, 66, 153, 254, 250, 153, 154, 185, 132, 186, 152, 137, 168, 75, 64,  
84, 69,  
41, 70, 91, 42, 160, 32, 176, 187, 73, 220, 185, 169, 185, 155, 153, 36, 74, 36, 204,  
148,  
66, 91, 98, 46, 242, 68, 69, 178, 146, 43, 68, 187, 178, 169, 155, 73, 75, 180, 68,  
187,  
186, 187, 187, 75, 68, 155, 73, 146, 153, 156, 207, 223, 202, 34, 47, 127, 90, 187,  
153, 187,  
8, 144, 0, 64, 72, 194, 11, 136, 0, 180, 64, 11, 139, 11, 0, 11, 152, 128, 9, 139,  
128, 136, 152, 136, 73, 0, 128, 8, 176, 144, 176, 0, 0, 128, 0, 137, 40, 64, 8, 176,  
128, 138, 184, 180, 0, 148, 187, 36, 8, 8, 184, 137, 152, 64, 152, 0, 187, 155, 180,  
64,  
187, 0, 64, 0, 136, 176, 187, 128, 0, 152, 136, 187, 11, 187, 176, 0, 128, 132, 76,  
139,  
9, 75, 181, 25, 153, 171, 137, 180, 11, 11, 34, 0, 73, 11, 75, 64, 88, 136, 136, 75,  
187, 185, 32, 73, 176, 4, 75, 187, 132, 180, 68, 188, 59, 75, 36, 72, 184, 68, 136, 66,

132, 176, 75, 11, 137, 152, 178, 187, 187, 184, 42, 180, 152, 148, 41, 130, 220, 167,  
124, 152,  
187, 159, 171, 152, 137, 146, 185, 139, 11, 11, 180, 185, 40, 180, 43, 146, 152, 144,  
64, 178,  
176, 176, 73, 171, 181, 64, 64, 0, 187, 177, 84, 188, 194, 4, 41, 69, 162, 66, 177, 84,  
34, 40, 73, 148, 73, 21, 34, 66, 153, 137, 74, 34, 176, 9, 4, 152, 176, 187, 144, 75,  
37, 68, 36, 36, 68, 185, 148, 128, 73, 171, 176, 4, 187, 148, 153, 161, 36, 41, 74,  
145,  
201, 68, 154, 148, 4, 37, 69, 73, 37, 36, 180, 92, 170, 170, 155, 154, 153, 153, 230,  
153,  
181, 82, 42, 180, 69, 186, 199, 217, 145, 27, 185, 153, 167, 162, 162, 128, 176, 139,  
68, 36,  
66, 77, 196, 66, 153, 187, 36, 68, 178, 218, 165, 73, 185, 155, 153, 185, 79, 84, 66,  
66,  
66, 36, 68, 69, 43, 68, 68, 66, 68, 75, 155, 153, 153, 185, 187, 5, 68, 180, 169, 187,  
176, 0, 187, 178, 75, 187, 11, 34, 155, 169, 204, 28, 162, 146, 159, 234, 172, 187,  
68, 34,  
8, 185, 0, 8, 136, 225, 155, 187, 11, 64, 176, 0, 152, 11, 73, 0, 137, 187, 138, 176,  
0, 153, 184, 0, 187, 64, 11, 0, 0, 130, 0, 8, 0, 128, 0, 138, 192, 0, 11, 188,  
192, 0, 0, 152, 144, 0, 11, 0, 2, 9, 128, 0, 9, 139, 137, 128, 136, 139, 0, 0,  
11, 0, 8, 0, 0, 176, 0, 137, 8, 139, 187, 176, 128, 34, 4, 176, 0, 11, 167, 203,  
72, 176, 185, 170, 152, 98, 136, 168, 137, 36, 0, 176, 36, 4, 187, 75, 139, 136, 137,  
144,  
187, 180, 155, 146, 128, 139, 2, 37, 4, 11, 11, 188, 233, 187, 42, 196, 136, 68, 11,  
70,  
155, 148, 36, 187, 184, 169, 180, 136, 186, 75, 247, 32, 155, 4, 53, 185, 25, 173,  
223, 137,  
153, 138, 181, 144, 137, 148, 187, 8, 180, 9, 139, 176, 8, 11, 152, 176, 137, 180, 68,  
4,  
0, 64, 2, 2, 180, 64, 0, 66, 0, 72, 148, 156, 89, 34, 74, 172, 242, 2, 4, 155,  
66, 75, 152, 68, 153, 207, 84, 68, 75, 185, 75, 169, 139, 187, 187, 37, 66, 146, 164,  
68,  
150, 68, 82, 68, 68, 66, 89, 132, 0, 180, 32, 82, 68, 37, 32, 178, 153, 202, 49, 42,

34, 176, 184, 73, 132, 73, 144, 4, 68, 68, 185, 154, 169, 169, 146, 154, 153, 153,  
153, 73,  
160, 85, 33, 162, 36, 10, 172, 154, 165, 64, 185, 20, 174, 169, 170, 178, 68, 185, 64,  
68,  
64, 180, 73, 187, 184, 32, 36, 0, 186, 186, 146, 43, 154, 155, 169, 68, 180, 68, 75,  
68,  
154, 153, 153, 170, 75, 146, 169, 187, 153, 153, 178, 146, 153, 187, 36, 178, 68,  
153, 75, 155,  
180, 139, 180, 74, 187, 180, 185, 153, 187, 154, 146, 170, 153, 82, 41, 169, 146,  
187, 146, 75,  
152, 187, 0, 176, 8, 68, 176, 4, 136, 187, 178, 16, 128, 0, 88, 184, 152, 132, 148, 75,  
180, 137, 0, 136, 144, 32, 187, 0, 5, 128, 132, 0, 0, 0, 0, 132, 11, 8, 2, 11,  
128, 0, 8, 139, 0, 4, 8, 0, 75, 139, 8, 0, 9, 155, 152, 152, 128, 136, 139, 144,  
11, 139, 128, 4, 0, 0, 176, 0, 180, 180, 155, 184, 76, 251, 68, 136, 0, 8, 153, 153,  
178, 152, 8, 153, 170, 169, 136, 153, 184, 11, 0, 8, 176, 75, 0, 11, 184, 187, 137,  
128,  
176, 148, 155, 128, 187, 187, 0, 74, 0, 64, 187, 178, 80, 187, 137, 36, 180, 75, 128,  
41,  
159, 204, 98, 139, 185, 74, 136, 187, 174, 43, 197, 91, 9, 137, 34, 148, 187, 154,  
170, 154,  
137, 155, 139, 136, 9, 155, 176, 68, 0, 176, 64, 184, 153, 69, 41, 152, 187, 82, 176,  
43,  
177, 68, 128, 4, 9, 152, 180, 139, 187, 186, 0, 34, 184, 180, 34, 82, 162, 68, 36, 66,  
68, 36, 184, 33, 137, 215, 196, 4, 185, 106, 164, 34, 152, 178, 43, 34, 11, 182, 105,  
197,  
36, 68, 178, 0, 176, 2, 90, 177, 66, 66, 37, 38, 82, 68, 4, 41, 137, 90, 170, 153,  
255, 64, 66, 66, 85, 75, 36, 68, 155, 11, 180, 154, 169, 137, 218, 154, 171, 186, 170,  
153,  
81, 34, 41, 37, 36, 184, 169, 154, 100, 184, 84, 72, 154, 162, 34, 130, 185, 129, 73,  
132,  
32, 132, 74, 155, 185, 148, 9, 149, 89, 154, 181, 34, 187, 170, 187, 187, 75, 180, 41,  
153,  
198, 84, 73, 171, 41, 177, 169, 4, 75, 153, 34, 34, 176, 9, 150, 36, 64, 186, 64, 180,

0, 0, 178, 41, 187, 153, 156, 203, 187, 155, 156, 105, 153, 213, 73, 154, 187, 146,  
148, 43,  
152, 105, 8, 128, 0, 153, 176, 0, 0, 8, 43, 105, 136, 0, 176, 176, 0, 176, 184, 9,  
152, 128, 128, 0, 188, 124, 164, 75, 187, 137, 176, 136, 0, 136, 4, 176, 8, 11, 136, 8,  
139, 11, 43, 128, 8, 32, 0, 128, 176, 0, 176, 139, 137, 176, 184, 128, 0, 0, 136, 0,  
128, 75, 0, 177, 164, 144, 8, 130, 75, 9, 152, 152, 9, 32, 155, 8, 11, 4, 8, 144,  
42, 169, 137, 154, 168, 153, 152, 153, 128, 128, 72, 144, 128, 64, 176, 148, 130, 0,  
8, 11,  
68, 138, 9, 153, 185, 69, 155, 139, 9, 176, 75, 43, 153, 8, 139, 43, 11, 64, 176, 136,  
173, 196, 82, 160, 72, 155, 178, 72, 146, 68, 178, 80, 68, 144, 187, 11, 139, 178, 40,  
168,  
171, 75, 155, 41, 152, 153, 36, 75, 148, 162, 4, 33, 32, 4, 168, 163, 155, 171, 130,  
32,  
146, 72, 153, 75, 185, 41, 187, 152, 9, 0, 185, 44, 132, 101, 4, 66, 85, 4, 64, 68,  
32, 66, 137, 195, 144, 205, 196, 148, 154, 194, 154, 36, 184, 185, 187, 0, 132, 66,  
41, 75,  
161, 84, 75, 2, 180, 75, 155, 2, 68, 11, 169, 77, 36, 153, 36, 42, 89, 38, 36, 162,  
68, 98, 36, 10, 101, 68, 241, 128, 145, 41, 68, 170, 170, 153, 164, 41, 187, 180, 169,  
153,  
2, 66, 84, 41, 101, 180, 184, 153, 36, 11, 36, 184, 136, 152, 187, 128, 176, 64, 186,  
217,  
0, 0, 155, 0, 74, 169, 185, 149, 92, 129, 42, 41, 155, 207, 148, 75, 187, 185, 146,  
185,  
84, 68, 66, 164, 148, 73, 185, 185, 79, 105, 187, 75, 176, 187, 66, 68, 0, 153, 180,  
169,  
0, 187, 148, 154, 155, 185, 158, 219, 187, 153, 164, 146, 153, 68, 75, 155, 155, 161,  
164, 187,  
9, 168, 137, 128, 72, 128, 0, 0, 0, 11, 176, 139, 11, 8, 128, 155, 11, 184, 185, 136,  
144, 8, 184, 136, 0, 244, 144, 139, 0, 8, 136, 8, 0, 136, 8, 0, 9, 11, 137, 128,  
176, 128, 0, 8, 8, 0, 128, 8, 139, 0, 8, 136, 184, 64, 0, 128, 128, 0, 139, 75,  
105, 43, 0, 148, 0, 8, 176, 73, 136, 0, 153, 176, 72, 176, 12, 8, 137, 0, 152, 152,  
155, 153, 154, 170, 170, 154, 169, 152, 136, 136, 185, 184, 178, 4, 128, 132, 210,  
64, 187, 180,



36, 184, 4, 0, 11, 133, 69, 187, 176, 32, 137, 187, 176, 153, 153, 68, 64, 0, 180, 187,  
178, 132, 153, 136, 155, 185, 137, 152, 68, 187, 176, 68, 4, 64, 8, 136, 139, 180, 75,  
68,  
132, 132, 37, 40, 128, 17, 36, 8, 178, 64, 86, 47, 169, 185, 153, 154, 153, 153, 184,  
8,  
164, 32, 82, 178, 187, 136, 180, 153, 155, 72, 149, 164, 41, 32, 68, 36, 4, 69, 36, 12,  
25, 164, 41, 36, 73, 26, 66, 50, 40, 148, 148, 153, 155, 11, 136, 171, 68, 65, 36, 185,  
178, 68, 11, 154, 155, 187, 11, 4, 11, 68, 8, 181, 32, 197, 32, 92, 18, 66, 34, 41,  
9, 69, 68, 74, 85, 82, 34, 148, 4, 180, 170, 154, 158, 89, 11, 148, 164, 185, 153, 171,  
162, 34, 66, 66, 20, 187, 185, 153, 32, 11, 2, 168, 136, 139, 176, 176, 4, 11, 153,  
169,  
136, 132, 36, 139, 75, 153, 148, 152, 74, 75, 154, 66, 171, 250, 73, 0, 185, 34, 33,  
43,  
41, 34, 76, 193, 84, 180, 187, 187, 154, 20, 75, 187, 187, 11, 155, 75, 187, 155, 187,  
184,  
176, 11, 153, 164, 187, 185, 74, 84, 180, 153, 146, 187, 75, 187, 187, 187, 187, 170,  
153, 41,  
137, 187, 153, 136, 152, 128, 0, 0, 11, 9, 184, 184, 128, 0, 8, 176, 136, 139, 184,  
139,  
128, 0, 136, 8, 176, 73, 73, 8, 0, 8, 144, 136, 128, 0, 136, 176, 11, 0, 8, 0,  
0, 8, 64, 0, 8, 64, 128, 9, 64, 0, 8, 0, 136, 0, 136, 184, 8, 8, 11, 153,  
98, 4, 187, 0, 0, 0, 136, 8, 176, 187, 41, 176, 187, 11, 66, 75, 152, 0, 185, 136,  
200, 154, 154, 170, 170, 170, 170, 153, 137, 184, 187, 66, 148, 8, 152, 11, 170, 4,  
180, 4,  
64, 11, 64, 0, 176, 180, 75, 176, 137, 52, 69, 155, 0, 184, 187, 139, 11, 176, 153, 43,  
185, 153, 220, 153, 66, 34, 185, 137, 66, 187, 180, 64, 75, 40, 152, 72, 155, 180,  
187, 178,  
66, 185, 83, 37, 73, 144, 36, 73, 0, 4, 34, 37, 169, 155, 68, 153, 168, 153, 180, 132,  
34, 34, 18, 73, 2, 68, 43, 155, 41, 185, 146, 18, 43, 64, 64, 36, 75, 170, 133, 149,  
40, 132, 50, 75, 9, 179, 34, 101, 73, 41, 187, 153, 153, 180, 148, 73, 162, 148, 34,  
44,  
68, 0, 4, 34, 171, 0, 0, 178, 164, 4, 16, 70, 82, 98, 68, 36, 85, 187, 43, 34,  
74, 36, 68, 66, 34, 34, 162, 153, 153, 9, 41, 41, 161, 88, 68, 41, 37, 153, 155, 164,

187, 82, 41, 75, 37, 68, 185, 154, 148, 36, 187, 184, 137, 250, 187, 139, 8, 11, 72,  
145,  
66, 169, 2, 75, 4, 186, 154, 217, 75, 74, 153, 68, 74, 236, 187, 68, 37, 86, 86, 91,  
89, 185, 191, 117, 41, 153, 180, 73, 146, 153, 73, 187, 187, 176, 178, 64, 187, 34,  
73, 187,  
73, 187, 176, 155, 187, 69, 171, 169, 180, 75, 185, 187, 180, 73, 180, 68, 187, 185,  
185, 213,  
136, 176, 137, 136, 152, 139, 128, 184, 128, 11, 187, 176, 187, 0, 8, 176, 11, 8, 8,  
139,  
0, 0, 128, 0, 0, 128, 9, 152, 8, 136, 8, 8, 8, 0, 152, 0, 8, 8, 128, 8,  
8, 8, 0, 11, 136, 73, 9, 171, 0, 11, 152, 176, 152, 176, 176, 155, 8, 144, 152, 75,  
89, 153, 139, 9, 176, 176, 0, 153, 144, 176, 75, 8, 64, 139, 0, 73, 144, 0, 187, 153,  
185, 153, 170, 170, 204, 202, 170, 169, 137, 10, 152, 36, 43, 0, 144, 152, 148, 11,  
136, 176,  
176, 138, 169, 187, 185, 68, 187, 139, 187, 32, 169, 139, 184, 185, 11, 139, 11, 184,  
4, 155,  
153, 138, 146, 84, 184, 42, 184, 139, 178, 178, 43, 75, 64, 74, 249, 148, 155, 34,  
164, 180,  
68, 187, 1, 66, 74, 187, 68, 148, 176, 187, 146, 68, 152, 139, 73, 139, 73, 185, 139,  
187,  
169, 154, 52, 187, 130, 37, 18, 187, 68, 186, 41, 17, 69, 184, 75, 68, 36, 255, 37,  
144,  
68, 153, 43, 187, 41, 132, 68, 36, 185, 146, 153, 139, 153, 148, 66, 68, 68, 64, 66,  
146,  
36, 75, 73, 66, 176, 176, 36, 36, 34, 178, 84, 5, 36, 68, 5, 34, 69, 34, 73, 36,  
37, 180, 11, 64, 180, 79, 124, 68, 176, 153, 180, 90, 162, 155, 185, 154, 89, 9, 148,  
37,  
75, 74, 25, 43, 90, 160, 75, 148, 72, 34, 184, 11, 184, 25, 0, 41, 8, 4, 108, 32,  
9, 160, 73, 64, 11, 176, 5, 58, 73, 185, 155, 180, 146, 89, 180, 68, 66, 149, 84, 75,  
180, 36, 34, 37, 75, 180, 187, 11, 187, 153, 41, 73, 178, 155, 155, 64, 187, 180, 68,  
148,  
43, 178, 187, 185, 187, 154, 43, 155, 187, 187, 187, 146, 148, 73, 164, 68, 180, 185,  
153, 41,

73, 0, 9, 154, 168, 176, 187, 0, 136, 0, 73, 149, 11, 176, 132, 0, 187, 8, 139, 8,  
8, 0, 0, 0, 128, 0, 176, 11, 176, 0, 128, 128, 0, 0, 136, 0, 187, 136, 0, 0,  
11, 176, 176, 11, 8, 153, 184, 160, 0, 75, 185, 176, 152, 128, 37, 176, 11, 9, 168, 76,  
56, 139, 139, 75, 0, 128, 0, 8, 128, 187, 187, 160, 136, 180, 64, 11, 0, 0, 9, 138,  
138, 153, 154, 172, 221, 252, 170, 170, 136, 152, 153, 0, 187, 32, 187, 152, 137, 0,  
187, 187,  
136, 199, 249, 153, 187, 68, 176, 128, 11, 11, 169, 139, 185, 155, 2, 176, 128, 136,  
0, 185,  
154, 11, 2, 89, 137, 130, 187, 171, 180, 187, 185, 144, 185, 178, 194, 185, 137, 90,  
187, 75,  
66, 156, 4, 0, 34, 187, 4, 36, 66, 9, 77, 84, 36, 36, 148, 187, 152, 180, 148, 64,  
35, 162, 244, 184, 36, 68, 81, 170, 186, 171, 148, 4, 34, 43, 155, 64, 146, 153, 34,  
178,  
152, 148, 68, 180, 75, 153, 68, 68, 153, 149, 153, 4, 64, 64, 133, 25, 144, 11, 73, 42,  
172, 152, 66, 178, 68, 2, 43, 27, 4, 4, 182, 34, 68, 75, 68, 34, 68, 178, 196, 84,  
44, 242, 64, 64, 34, 42, 245, 146, 74, 81, 164, 153, 154, 155, 153, 172, 91, 185, 165,  
93,  
154, 42, 89, 155, 68, 178, 187, 73, 185, 139, 146, 80, 146, 152, 9, 64, 73, 75, 47, 41,  
195, 75, 176, 153, 68, 37, 73, 185, 180, 68, 187, 153, 36, 148, 180, 73, 41, 34, 82,  
43,  
180, 155, 66, 73, 187, 185, 187, 186, 169, 185, 75, 185, 180, 153, 176, 64, 153, 69,  
187, 187,  
75, 68, 68, 180, 187, 187, 187, 155, 187, 185, 180, 153, 155, 185, 187, 187, 185,  
148, 187, 185,  
65, 137, 137, 140, 137, 176, 11, 128, 136, 11, 8, 185, 11, 187, 130, 27, 0, 132, 64,  
187,  
0, 144, 8, 0, 128, 0, 11, 0, 0, 128, 4, 136, 8, 9, 128, 8, 73, 136, 176, 176,  
0, 32, 171, 0, 128, 137, 11, 0, 0, 8, 181, 8, 155, 176, 11, 0, 11, 2, 169, 171,  
169, 185, 132, 36, 32, 0, 0, 128, 8, 8, 128, 187, 11, 4, 184, 187, 73, 136, 152, 185,  
137, 169, 154, 175, 221, 252, 202, 169, 153, 153, 152, 128, 4, 201, 148, 184, 184, 0,  
128, 152,  
68, 174, 248, 137, 68, 155, 176, 187, 187, 11, 184, 187, 186, 105, 148, 0, 11, 137,  
185, 25,

69, 64, 164, 153, 152, 184, 146, 176, 187, 176, 184, 176, 11, 150, 201, 176, 154, 63,  
34, 68,  
187, 156, 187, 80, 74, 192, 184, 66, 68, 11, 34, 0, 184, 154, 90, 155, 139, 185, 187,  
148,  
44, 227, 43, 75, 66, 68, 41, 82, 156, 162, 139, 4, 68, 178, 75, 64, 66, 68, 155, 76,  
32, 148, 64, 176, 180, 137, 66, 34, 11, 136, 144, 74, 66, 136, 10, 242, 136, 8, 148,  
153,  
167, 201, 73, 69, 85, 84, 68, 36, 0, 64, 140, 82, 68, 68, 69, 82, 187, 156, 113, 153,  
191, 226, 64, 144, 40, 153, 166, 146, 5, 130, 148, 165, 11, 155, 145, 170, 164, 37,  
36, 146,  
146, 164, 73, 153, 180, 187, 187, 185, 73, 187, 197, 20, 165, 152, 36, 4, 73, 164,  
153, 34,  
166, 153, 155, 73, 75, 241, 4, 64, 185, 64, 8, 153, 75, 187, 186, 155, 148, 36, 34, 68,  
38, 43, 187, 154, 43, 68, 185, 148, 169, 187, 155, 154, 82, 185, 148, 11, 155, 154,  
153, 187,  
178, 68, 33, 148, 75, 155, 155, 187, 73, 185, 245, 185, 187, 75, 180, 187, 187, 164,  
153, 26,  
0, 8, 8, 137, 160, 0, 0, 136, 0, 176, 8, 139, 139, 187, 146, 105, 136, 137, 34, 11,  
153, 176, 9, 176, 4, 2, 64, 64, 136, 8, 0, 9, 36, 72, 8, 128, 128, 8, 176, 0,  
144, 187, 139, 185, 11, 136, 128, 11, 0, 0, 75, 128, 128, 185, 75, 0, 4, 184, 153, 152,  
148, 4, 149, 197, 64, 0, 0, 8, 144, 128, 136, 176, 176, 147, 104, 130, 18, 152, 137,  
185,  
136, 138, 169, 175, 221, 252, 202, 170, 136, 137, 152, 128, 0, 64, 68, 184, 139, 0, 0,  
137,  
148, 202, 153, 137, 176, 187, 11, 4, 244, 139, 136, 0, 12, 233, 2, 75, 0, 8, 153, 203,  
32, 4, 4, 0, 152, 9, 75, 187, 153, 72, 184, 11, 66, 42, 205, 75, 157, 218, 85, 162,  
73, 176, 144, 4, 185, 148, 185, 148, 68, 64, 36, 64, 11, 177, 73, 152, 184, 153, 152,  
128,  
185, 221, 171, 66, 68, 5, 36, 130, 184, 185, 171, 0, 64, 43, 148, 66, 75, 146, 41, 11,  
181, 32, 139, 176, 181, 180, 75, 68, 75, 11, 75, 130, 64, 144, 154, 245, 176, 184, 82,  
137,  
170, 148, 4, 68, 64, 64, 4, 64, 64, 2, 66, 37, 82, 4, 36, 146, 180, 44, 220, 185,

154, 164, 68, 66, 41, 153, 181, 90, 148, 153, 153, 35, 153, 0, 163, 17, 84, 66, 36,  
193,  
36, 34, 75, 187, 68, 11, 153, 170, 145, 153, 159, 98, 146, 132, 32, 2, 73, 148, 176,  
154,  
73, 136, 9, 149, 9, 108, 68, 68, 132, 66, 10, 20, 73, 153, 73, 155, 68, 36, 34, 73,  
177, 41, 185, 174, 25, 178, 153, 146, 155, 11, 187, 187, 68, 185, 163, 176, 187, 153,  
146, 73,  
187, 155, 74, 162, 178, 75, 187, 187, 11, 178, 89, 187, 187, 148, 180, 180, 187, 187,  
155, 146,  
0, 0, 8, 136, 148, 64, 0, 184, 9, 144, 144, 139, 136, 187, 132, 40, 128, 8, 8, 184,  
187, 0, 8, 64, 149, 73, 8, 0, 0, 0, 11, 174, 32, 8, 8, 152, 176, 176, 176, 128,  
11, 0, 0, 136, 187, 128, 4, 144, 64, 0, 184, 8, 4, 157, 169, 2, 180, 184, 0, 11,  
64, 11, 74, 204, 64, 176, 136, 11, 176, 152, 176, 0, 0, 79, 196, 9, 202, 176, 32, 152,  
137, 154, 170, 172, 255, 252, 202, 170, 169, 136, 152, 184, 2, 64, 0, 11, 184, 128, 8,  
68,  
138, 127, 137, 152, 180, 0, 180, 75, 168, 155, 11, 204, 146, 36, 0, 0, 4, 73, 139, 176,  
68, 144, 64, 0, 36, 11, 187, 187, 73, 155, 11, 187, 153, 202, 163, 169, 138, 201, 37,  
115,  
41, 184, 152, 185, 72, 139, 185, 169, 32, 75, 36, 75, 73, 4, 68, 148, 9, 138, 152, 34,  
0, 186, 149, 2, 43, 4, 73, 155, 185, 155, 176, 4, 0, 178, 75, 34, 72, 36, 184, 36,  
180, 64, 187, 176, 4, 34, 185, 180, 180, 132, 68, 4, 169, 2, 137, 75, 4, 72, 2, 37,  
75, 144, 144, 0, 4, 4, 36, 180, 64, 181, 64, 2, 80, 4, 171, 9, 75, 66, 154, 105,  
154, 18, 20, 34, 66, 184, 152, 137, 68, 28, 144, 146, 72, 0, 185, 37, 68, 153, 154,  
231,  
18, 81, 73, 66, 34, 155, 185, 154, 223, 153, 130, 32, 176, 66, 32, 68, 64, 185, 0, 136,  
66, 187, 185, 148, 9, 155, 180, 0, 11, 32, 65, 52, 155, 185, 73, 153, 185, 82, 36, 146,  
41, 34, 73, 159, 164, 66, 74, 57, 75, 11, 180, 75, 75, 185, 174, 41, 153, 76, 165, 73,  
153, 68, 36, 164, 187, 187, 187, 153, 153, 153, 43, 187, 73, 153, 148, 75, 75, 187,  
180, 68,  
128, 72, 0, 137, 153, 11, 0, 128, 169, 152, 168, 0, 132, 176, 4, 136, 144, 139, 0, 11,  
64, 184, 8, 184, 137, 0, 43, 0, 128, 8, 137, 175, 128, 0, 0, 8, 176, 9, 128, 176,  
0, 128, 4, 184, 0, 0, 136, 144, 184, 132, 185, 137, 68, 167, 216, 136, 0, 64, 146, 146,  
162, 4, 176, 162, 0, 128, 0, 0, 136, 0, 64, 64, 0, 4, 152, 75, 148, 8, 8, 0,

8, 137, 170, 170, 204, 204, 170, 153, 152, 136, 136, 184, 36, 68, 8, 128, 72, 4, 136,  
11,  
178, 220, 64, 184, 128, 0, 178, 128, 73, 128, 8, 172, 164, 0, 176, 128, 75, 75, 0, 148,  
137, 128, 0, 180, 82, 185, 137, 0, 68, 187, 11, 152, 132, 66, 43, 152, 162, 153, 9,  
229,  
180, 68, 155, 180, 43, 187, 74, 153, 73, 75, 32, 0, 184, 184, 149, 53, 75, 173, 242, 4,  
155, 187, 177, 73, 148, 176, 153, 153, 68, 176, 4, 0, 66, 169, 66, 68, 171, 187, 66,  
40,  
181, 36, 8, 69, 2, 144, 43, 153, 148, 130, 9, 4, 153, 184, 64, 148, 180, 73, 185, 18,  
17, 153, 2, 41, 176, 16, 2, 4, 0, 178, 8, 2, 75, 34, 162, 130, 75, 73, 86, 98,  
181, 165, 148, 66, 153, 72, 146, 146, 64, 154, 4, 65, 164, 2, 148, 180, 32, 153, 69,  
17,  
82, 36, 73, 169, 75, 149, 185, 34, 171, 180, 185, 73, 74, 24, 73, 176, 186, 132, 146,  
43,  
153, 144, 157, 84, 152, 132, 74, 74, 11, 132, 11, 68, 75, 164, 74, 153, 74, 22, 36, 66,  
85, 185, 73, 180, 75, 187, 73, 169, 180, 187, 155, 187, 155, 180, 146, 75, 187, 191,  
244, 73,  
169, 185, 27, 11, 185, 180, 41, 0, 37, 43, 148, 75, 187, 187, 180, 73, 144, 187, 153,  
68,  
0, 0, 8, 144, 136, 8, 184, 128, 137, 8, 8, 8, 132, 176, 187, 0, 64, 8, 11, 155,  
0, 0, 128, 184, 4, 9, 128, 0, 0, 0, 136, 136, 128, 8, 184, 128, 132, 189, 32, 136,  
128, 11, 8, 152, 128, 0, 8, 132, 144, 0, 0, 153, 8, 153, 136, 11, 139, 75, 180, 165,  
0, 68, 176, 68, 11, 187, 4, 64, 9, 64, 0, 0, 128, 72, 176, 68, 144, 176, 8, 128,  
136, 153, 154, 170, 170, 202, 170, 153, 137, 136, 148, 0, 169, 137, 128, 8, 139, 0,  
176, 184,  
4, 152, 4, 8, 187, 176, 176, 128, 76, 203, 68, 180, 105, 9, 136, 139, 132, 187, 8, 186,  
168, 152, 146, 184, 155, 136, 136, 155, 184, 32, 64, 139, 4, 0, 64, 137, 137, 132,  
136, 98,  
5, 43, 180, 2, 68, 66, 178, 155, 128, 187, 32, 187, 9, 187, 34, 84, 154, 174, 124, 187,  
155, 43, 36, 68, 40, 139, 81, 146, 10, 153, 176, 75, 178, 153, 64, 75, 66, 152, 75,  
187,  
37, 36, 75, 4, 75, 187, 68, 146, 41, 243, 74, 161, 144, 64, 68, 136, 180, 32, 16, 84,  
170, 43, 66, 41, 165, 68, 43, 42, 64, 74, 32, 4, 155, 73, 90, 36, 187, 146, 87, 187,

34, 169, 155, 146, 153, 75, 146, 160, 185, 213, 148, 196, 148, 153, 148, 4, 73, 148,  
89, 41,  
74, 75, 9, 148, 185, 159, 164, 154, 68, 180, 137, 66, 130, 153, 73, 9, 185, 178, 154,  
242,  
146, 176, 163, 91, 66, 75, 68, 148, 11, 155, 185, 154, 43, 185, 73, 75, 69, 22, 18, 66,  
85, 75, 34, 180, 73, 148, 73, 155, 186, 43, 180, 68, 180, 187, 180, 185, 180, 182, 52,  
187,  
75, 153, 187, 180, 148, 66, 153, 180, 186, 170, 234, 146, 187, 187, 187, 150, 43, 11,  
185, 187,  
9, 0, 128, 154, 152, 136, 128, 8, 136, 9, 0, 8, 136, 0, 184, 73, 0, 137, 139, 152,  
187, 0, 176, 11, 128, 8, 152, 0, 0, 8, 8, 136, 0, 0, 72, 128, 11, 133, 75, 40,  
152, 0, 8, 184, 155, 184, 0, 128, 144, 187, 176, 136, 152, 137, 128, 139, 152, 187,  
180, 153,  
139, 0, 176, 64, 68, 184, 0, 64, 188, 144, 0, 176, 128, 0, 184, 0, 137, 187, 139, 11,  
187, 152, 152, 153, 154, 170, 170, 136, 137, 136, 176, 139, 176, 11, 0, 73, 0, 9, 0, 0,  
128, 187, 139, 187, 148, 32, 139, 0, 176, 171, 68, 187, 11, 11, 136, 0, 184, 176, 148,  
184,  
138, 175, 41, 136, 144, 137, 152, 136, 154, 73, 43, 176, 180, 11, 4, 136, 132, 148,  
137, 75,  
11, 176, 157, 82, 68, 68, 36, 8, 100, 66, 187, 139, 132, 184, 75, 36, 31, 95, 202, 187,  
153, 4, 148, 153, 170, 187, 64, 86, 8, 153, 180, 75, 138, 193, 43, 68, 68, 75, 68, 75,  
155, 64, 4, 38, 75, 185, 68, 153, 33, 162, 73, 156, 144, 2, 72, 4, 84, 68, 20, 0,  
187, 18, 68, 44, 242, 68, 8, 146, 64, 75, 68, 79, 152, 75, 34, 68, 64, 66, 34, 68,  
73, 152, 154, 137, 220, 4, 41, 149, 68, 239, 156, 114, 68, 34, 155, 176, 9, 153, 82,  
181,  
148, 37, 185, 148, 187, 158, 26, 153, 149, 64, 137, 178, 85, 139, 128, 155, 66, 146,  
137, 169,  
178, 68, 154, 36, 146, 75, 178, 20, 185, 137, 137, 36, 68, 148, 73, 75, 172, 55, 53,  
82,  
197, 34, 153, 187, 43, 180, 11, 180, 65, 91, 185, 155, 73, 187, 36, 187, 180, 73, 73,  
187,  
187, 170, 153, 187, 75, 185, 69, 73, 11, 188, 239, 153, 187, 187, 187, 181, 153, 187,  
155, 187,

128, 0, 136, 8, 136, 128, 128, 8, 0, 9, 128, 4, 139, 4, 64, 8, 176, 137, 139, 187,  
139, 8, 8, 8, 136, 0, 0, 128, 8, 0, 128, 0, 4, 75, 0, 128, 0, 11, 176, 11,  
8, 9, 136, 0, 8, 176, 136, 136, 0, 4, 132, 186, 56, 136, 128, 184, 144, 8, 132, 184,  
155, 0, 128, 176, 185, 187, 8, 0, 130, 144, 0, 9, 0, 0, 8, 138, 136, 136, 187, 139,  
187, 128, 153, 137, 170, 154, 152, 137, 137, 180, 184, 176, 11, 176, 148, 155, 0, 0,  
128, 139,  
11, 9, 187, 73, 239, 136, 187, 0, 152, 43, 9, 155, 187, 184, 0, 8, 184, 136, 185, 136,  
136, 188, 73, 152, 152, 137, 137, 139, 189, 196, 176, 180, 64, 11, 184, 155, 72, 145,  
203, 137,  
68, 132, 146, 36, 4, 36, 68, 73, 18, 37, 75, 43, 9, 41, 72, 32, 155, 69, 41, 72,  
34, 36, 4, 132, 152, 155, 73, 164, 73, 156, 194, 36, 44, 230, 155, 68, 153, 133, 84,  
153,  
148, 75, 72, 146, 64, 4, 180, 136, 148, 85, 64, 187, 0, 11, 64, 68, 84, 136, 68, 0,  
146, 36, 0, 157, 116, 153, 72, 68, 73, 34, 18, 65, 42, 43, 146, 36, 176, 187, 68, 9,  
41, 162, 68, 154, 201, 153, 137, 199, 89, 89, 69, 20, 176, 180, 82, 185, 137, 133, 84,  
69,  
180, 149, 153, 169, 72, 138, 36, 18, 36, 153, 11, 181, 203, 34, 34, 84, 44, 72, 146,  
146,  
145, 100, 68, 185, 162, 187, 154, 89, 11, 9, 137, 187, 68, 68, 89, 155, 37, 55, 53, 18,  
93, 169, 75, 187, 68, 180, 176, 42, 37, 43, 187, 68, 187, 187, 153, 187, 180, 75, 180,  
73,  
185, 42, 75, 187, 187, 185, 148, 187, 187, 186, 27, 66, 187, 155, 68, 180, 157, 34,  
75, 187,  
128, 136, 0, 128, 139, 136, 176, 8, 0, 0, 176, 136, 0, 0, 64, 0, 0, 132, 128, 8,  
128, 9, 128, 128, 128, 0, 0, 176, 128, 8, 128, 64, 176, 176, 0, 8, 128, 0, 0, 176,  
176, 176, 128, 132, 43, 64, 184, 139, 176, 8, 128, 9, 168, 138, 132, 73, 144, 0, 0, 73,  
139, 187, 0, 176, 11, 155, 8, 9, 136, 41, 187, 180, 0, 8, 176, 187, 0, 185, 128, 0,  
144, 184, 136, 152, 136, 136, 153, 153, 137, 136, 11, 184, 155, 64, 137, 153, 9, 187,  
0, 0,  
136, 184, 128, 138, 237, 153, 0, 11, 136, 137, 184, 139, 185, 128, 75, 11, 136, 43, 8,  
185,  
176, 180, 187, 72, 153, 136, 137, 185, 149, 146, 64, 11, 11, 153, 139, 185, 155, 72,  
43, 155,



9, 155, 187, 148, 68, 64, 0, 178, 36, 148, 185, 187, 72, 40, 155, 75, 148, 164, 180,  
187,  
128, 34, 75, 148, 136, 75, 184, 148, 139, 38, 196, 34, 222, 90, 155, 18, 97, 254, 24,  
155,  
153, 187, 185, 64, 184, 136, 76, 73, 72, 178, 72, 0, 178, 144, 68, 66, 75, 8, 43, 139,  
178, 75, 34, 138, 196, 68, 84, 197, 66, 73, 18, 75, 174, 107, 66, 66, 180, 68, 68, 162,  
34, 204, 153, 154, 89, 89, 153, 206, 36, 139, 4, 84, 148, 73, 36, 153, 152, 149, 101,  
9,  
73, 152, 154, 250, 170, 153, 159, 53, 43, 145, 153, 73, 159, 41, 64, 66, 199, 85, 44,  
58,  
139, 66, 68, 4, 75, 153, 170, 63, 184, 149, 153, 148, 75, 180, 180, 185, 42, 22, 85,  
36,  
173, 213, 75, 68, 187, 186, 36, 85, 146, 155, 187, 75, 187, 180, 186, 155, 187, 187,  
148, 171,  
153, 11, 148, 0, 185, 153, 180, 148, 180, 180, 187, 144, 185, 82, 68, 187, 150, 43,  
187, 178,  
8, 8, 8, 0, 137, 136, 136, 128, 64, 176, 185, 64, 8, 75, 0, 8, 0, 128, 64, 9,  
0, 128, 176, 8, 0, 0, 136, 136, 144, 128, 0, 0, 0, 8, 8, 0, 176, 8, 8, 176,  
136, 176, 136, 9, 8, 11, 4, 155, 0, 128, 0, 137, 184, 5, 0, 162, 64, 0, 9, 152,  
184, 0, 11, 0, 184, 196, 128, 128, 136, 36, 75, 11, 9, 176, 0, 139, 11, 139, 0, 176,  
75, 176, 162, 137, 137, 152, 136, 152, 74, 176, 11, 4, 136, 0, 137, 187, 136, 176,  
139, 11,  
0, 11, 72, 137, 153, 136, 130, 9, 75, 176, 136, 176, 153, 144, 139, 11, 8, 0, 176, 188,  
203, 187, 8, 176, 136, 139, 137, 11, 187, 132, 64, 36, 187, 152, 139, 176, 75, 11,  
139, 136,  
66, 107, 152, 176, 68, 0, 64, 187, 180, 185, 75, 75, 187, 187, 43, 155, 90, 43, 75,  
139,  
68, 68, 11, 132, 154, 43, 162, 148, 176, 82, 66, 36, 154, 74, 75, 250, 250, 243, 248,  
155,  
66, 185, 36, 75, 68, 176, 189, 89, 169, 153, 136, 2, 83, 187, 36, 66, 0, 64, 16, 187,  
153, 176, 72, 146, 178, 111, 117, 92, 73, 148, 68, 75, 35, 27, 68, 162, 40, 185, 9,  
153,

34, 85, 153, 148, 153, 40, 69, 85, 146, 64, 185, 85, 84, 185, 4, 153, 178, 154, 225,  
132,  
75, 186, 74, 53, 249, 154, 170, 169, 75, 178, 149, 160, 166, 185, 180, 4, 35, 18, 36,  
89,  
36, 2, 185, 11, 187, 176, 154, 237, 171, 31, 89, 148, 66, 75, 185, 73, 34, 165, 34, 34,  
199, 226, 68, 155, 75, 86, 41, 153, 43, 155, 187, 75, 75, 187, 153, 128, 187, 187, 75,  
75,  
153, 185, 187, 180, 180, 153, 185, 75, 187, 180, 73, 155, 180, 194, 34, 187, 148,  
153, 187, 148,  
128, 0, 128, 136, 137, 152, 0, 4, 0, 73, 184, 139, 155, 187, 0, 0, 0, 128, 176, 0,  
144, 8, 0, 128, 0, 8, 136, 139, 136, 128, 0, 128, 0, 0, 68, 11, 139, 0, 0, 136,  
139, 128, 0, 128, 75, 0, 132, 152, 185, 0, 0, 136, 128, 143, 41, 244, 64, 0, 139, 136,  
128, 184, 139, 4, 11, 187, 64, 136, 9, 73, 43, 4, 184, 64, 72, 0, 153, 128, 137, 64,  
8, 11, 11, 136, 136, 185, 41, 137, 139, 128, 9, 180, 185, 185, 187, 68, 136, 0, 144,  
180,  
11, 148, 73, 155, 72, 176, 155, 136, 176, 0, 75, 180, 68, 137, 139, 187, 176, 75, 152,  
189,  
244, 32, 76, 192, 139, 148, 11, 184, 187, 176, 184, 148, 155, 130, 139, 4, 144, 187,  
155, 187,  
152, 152, 153, 136, 34, 4, 0, 153, 4, 72, 187, 64, 187, 75, 152, 68, 36, 152, 139, 32,  
64, 68, 180, 139, 180, 178, 54, 153, 180, 4, 41, 75, 153, 155, 139, 65, 60, 34, 40,  
176,  
146, 73, 196, 136, 180, 34, 37, 43, 187, 144, 153, 41, 153, 8, 73, 73, 0, 155, 66, 18,  
132, 146, 176, 73, 68, 92, 117, 43, 64, 34, 66, 75, 73, 36, 24, 42, 139, 148, 41, 41,  
66, 42, 136, 154, 66, 153, 148, 153, 66, 68, 154, 23, 82, 64, 148, 5, 84, 42, 89, 137,  
148, 181, 43, 42, 218, 153, 154, 171, 185, 0, 177, 152, 153, 66, 155, 152, 44, 33, 82,  
37,  
154, 128, 146, 153, 187, 187, 154, 202, 75, 34, 171, 178, 73, 153, 176, 165, 185,  
146, 66, 180,  
154, 201, 185, 89, 187, 146, 187, 153, 68, 187, 185, 187, 187, 180, 185, 152, 139,  
186, 89, 153,  
153, 152, 148, 148, 187, 187, 178, 29, 171, 58, 146, 89, 180, 68, 41, 187, 187, 187,  
73, 178,

11, 128, 136, 136, 144, 128, 0, 11, 0, 11, 139, 0, 137, 128, 128, 8, 0, 163, 152, 184,  
150, 176, 0, 0, 8, 8, 136, 136, 128, 144, 0, 128, 0, 0, 128, 0, 11, 139, 128, 64,  
176, 11, 0, 128, 144, 8, 132, 153, 152, 176, 0, 0, 128, 159, 160, 32, 139, 0, 155, 128,  
144, 136, 152, 176, 184, 0, 0, 4, 2, 0, 44, 43, 137, 128, 176, 4, 170, 184, 0, 0,  
144, 11, 176, 139, 147, 185, 139, 139, 155, 139, 207, 11, 11, 11, 176, 152, 176, 0,  
75, 176,  
0, 11, 137, 144, 139, 0, 64, 187, 8, 4, 187, 68, 0, 176, 139, 68, 185, 0, 0, 4,  
153, 64, 136, 75, 89, 11, 11, 153, 187, 187, 152, 155, 138, 91, 139, 187, 139, 64,  
152, 148,  
137, 136, 136, 136, 75, 2, 11, 133, 32, 180, 155, 80, 68, 34, 36, 91, 36, 153, 132, 68,  
74, 36, 178, 148, 72, 5, 61, 184, 37, 75, 148, 75, 36, 155, 146, 42, 162, 41, 155, 187,  
148, 130, 41, 139, 185, 132, 84, 148, 36, 153, 148, 154, 180, 138, 32, 146, 185, 242,  
42, 229,  
36, 68, 176, 66, 82, 66, 66, 68, 66, 66, 36, 64, 148, 68, 4, 149, 169, 137, 74, 68,  
145, 82, 184, 139, 40, 128, 148, 4, 68, 9, 41, 86, 82, 66, 80, 70, 100, 73, 152, 146,  
128, 162, 43, 146, 187, 184, 185, 171, 43, 75, 152, 144, 153, 169, 153, 155, 148,  
153, 162, 199,  
89, 184, 32, 155, 180, 75, 185, 242, 187, 186, 41, 187, 187, 11, 89, 51, 153, 68, 66,  
73,  
154, 196, 146, 148, 185, 41, 75, 178, 75, 180, 68, 187, 187, 64, 137, 185, 152, 153,  
244, 180,  
148, 201, 148, 11, 180, 75, 154, 149, 153, 85, 211, 33, 187, 185, 169, 153, 155, 68,  
148, 185,  
0, 0, 176, 139, 0, 8, 128, 9, 187, 0, 128, 0, 4, 144, 0, 0, 0, 176, 128, 0,  
186, 0, 11, 0, 8, 128, 11, 155, 128, 66, 72, 8, 8, 128, 155, 155, 0, 0, 136, 64,  
10, 0, 8, 128, 180, 128, 128, 144, 137, 0, 128, 9, 0, 136, 184, 64, 0, 176, 128, 4,  
136, 136, 171, 0, 0, 64, 0, 35, 68, 66, 159, 248, 40, 9, 11, 64, 187, 176, 176, 73,  
8, 130, 152, 152, 10, 75, 184, 11, 186, 128, 162, 0, 176, 144, 176, 137, 187, 176,  
139, 64,  
11, 185, 148, 132, 176, 132, 0, 0, 139, 68, 184, 148, 187, 176, 144, 68, 32, 184, 41,  
0,  
9, 8, 129, 75, 153, 0, 2, 136, 184, 187, 153, 128, 2, 244, 148, 168, 144, 0, 146, 139,  
75, 185, 148, 185, 187, 0, 64, 184, 0, 12, 219, 4, 2, 69, 26, 66, 187, 153, 180, 185,

66, 180, 180, 36, 70, 66, 137, 146, 180, 69, 187, 176, 132, 145, 146, 66, 36, 42, 132,  
180,  
178, 144, 187, 136, 162, 170, 33, 144, 155, 68, 148, 36, 185, 163, 194, 110, 98, 194,  
84, 84,  
68, 64, 4, 0, 22, 68, 146, 43, 162, 171, 84, 176, 64, 155, 187, 197, 153, 64, 75, 32,  
46, 208, 185, 128, 148, 66, 178, 75, 64, 72, 180, 66, 84, 12, 20, 66, 20, 68, 153, 136,  
185, 187, 185, 187, 33, 155, 138, 57, 178, 82, 73, 139, 44, 169, 153, 187, 21, 42,  
169, 164,  
142, 168, 84, 148, 180, 148, 153, 20, 153, 181, 148, 187, 180, 91, 42, 153, 73, 34,  
68, 187,  
186, 155, 73, 149, 148, 91, 68, 180, 43, 68, 73, 155, 73, 187, 9, 153, 0, 8, 75, 41,  
11, 245, 155, 11, 176, 75, 147, 57, 73, 180, 90, 148, 75, 187, 155, 176, 155, 180,  
187, 187,  
184, 11, 176, 128, 0, 128, 8, 72, 180, 0, 176, 0, 8, 11, 64, 8, 0, 0, 144, 11,  
0, 152, 136, 0, 4, 91, 136, 128, 11, 175, 148, 8, 187, 139, 11, 128, 8, 0, 139, 0,  
128, 128, 0, 136, 64, 176, 4, 176, 0, 8, 185, 11, 0, 137, 139, 0, 153, 0, 137, 0,  
128, 137, 144, 0, 176, 176, 11, 73, 176, 88, 199, 60, 153, 0, 11, 185, 75, 64, 137, 64,  
152, 11, 210, 128, 130, 8, 64, 11, 39, 251, 128, 0, 9, 202, 8, 11, 8, 40, 187, 187,  
176, 0, 132, 0, 176, 0, 36, 0, 137, 73, 184, 187, 75, 138, 152, 146, 64, 64, 5, 75,  
155, 130, 82, 152, 132, 180, 136, 155, 180, 187, 144, 75, 178, 169, 155, 139, 128, 4,  
94, 171,  
155, 8, 171, 176, 176, 9, 128, 139, 148, 185, 201, 68, 82, 157, 28, 180, 0, 184, 5, 34,  
102, 37, 152, 4, 4, 75, 182, 244, 68, 75, 4, 187, 68, 36, 132, 68, 41, 36, 180, 34,  
180, 180, 184, 153, 154, 43, 77, 196, 184, 176, 73, 42, 185, 85, 194, 109, 169, 148,  
36, 69,  
64, 0, 139, 180, 85, 68, 181, 89, 84, 153, 97, 98, 68, 171, 84, 149, 152, 155, 140, 52,  
69, 68, 32, 144, 0, 75, 184, 148, 0, 4, 64, 68, 153, 130, 6, 100, 100, 4, 168, 185,  
64, 9, 154, 185, 187, 176, 8, 9, 82, 18, 69, 41, 247, 249, 169, 246, 66, 36, 153, 152,  
177, 203, 68, 41, 73, 148, 75, 178, 153, 153, 170, 34, 157, 212, 156, 53, 154, 57,  
187, 73,  
75, 155, 148, 178, 26, 153, 34, 204, 178, 155, 75, 155, 185, 187, 181, 11, 180, 68,  
75, 36,

68, 9, 176, 180, 187, 75, 154, 25, 155, 185, 153, 155, 185, 187, 185, 176, 73, 68,  
185, 41,  
176, 176, 0, 8, 0, 128, 0, 128, 0, 0, 136, 8, 0, 152, 136, 184, 4, 68, 180, 144,  
128, 8, 176, 139, 138, 0, 8, 73, 128, 9, 0, 0, 128, 132, 4, 8, 11, 152, 9, 128,  
0, 0, 8, 136, 11, 128, 8, 0, 0, 8, 136, 139, 8, 155, 64, 0, 8, 8, 0, 139,  
148, 144, 0, 176, 8, 0, 8, 152, 180, 72, 172, 246, 201, 152, 180, 68, 4, 185, 185, 4,  
132, 136, 64, 132, 187, 139, 139, 185, 12, 164, 184, 155, 72, 0, 0, 176, 8, 8, 144,  
152,  
176, 176, 8, 11, 64, 0, 64, 4, 148, 180, 95, 203, 187, 4, 136, 0, 0, 185, 144, 136,  
144, 152, 8, 64, 144, 187, 184, 185, 180, 187, 186, 187, 187, 185, 41, 187, 0, 187,  
178, 41,  
176, 11, 185, 187, 8, 187, 185, 153, 75, 8, 168, 178, 100, 178, 202, 64, 8, 136, 133,  
165,  
20, 43, 139, 5, 36, 64, 74, 91, 184, 9, 155, 0, 68, 68, 187, 75, 73, 75, 139, 178,  
75, 68, 75, 188, 58, 252, 34, 41, 187, 178, 81, 153, 4, 33, 225, 68, 43, 66, 130, 66,  
68, 4, 75, 146, 2, 36, 80, 74, 187, 155, 82, 43, 68, 74, 165, 170, 155, 43, 150, 203,  
139, 180, 166, 68, 144, 155, 4, 9, 75, 68, 153, 73, 153, 155, 68, 36, 68, 132, 155, 0,  
9, 139, 148, 178, 178, 145, 148, 9, 34, 84, 66, 153, 47, 169, 154, 156, 50, 4, 153,  
155,  
180, 184, 194, 187, 68, 73, 153, 153, 155, 89, 155, 148, 148, 36, 154, 162, 146, 34,  
68, 73,  
90, 187, 148, 9, 146, 154, 175, 108, 34, 68, 185, 155, 75, 153, 181, 68, 66, 75, 4, 75,  
0, 11, 11, 154, 101, 43, 213, 169, 75, 187, 187, 75, 187, 73, 187, 187, 187, 148, 187,  
153,  
128, 155, 8, 11, 11, 144, 185, 72, 168, 0, 0, 11, 11, 187, 11, 0, 0, 4, 0, 0,  
11, 0, 152, 0, 148, 0, 0, 136, 0, 184, 4, 0, 8, 9, 9, 152, 0, 136, 64, 128,  
0, 128, 4, 9, 8, 0, 139, 20, 8, 139, 4, 128, 128, 132, 32, 0, 0, 11, 11, 139,  
242, 0, 8, 0, 8, 0, 176, 0, 0, 139, 130, 172, 220, 153, 176, 187, 184, 187, 139, 184,  
169, 153, 187, 4, 32, 176, 139, 8, 178, 36, 194, 176, 184, 137, 187, 176, 8, 136, 176,  
153,  
8, 0, 11, 159, 152, 11, 11, 11, 9, 139, 174, 107, 9, 176, 184, 0, 4, 64, 176, 11,  
64, 4, 153, 184, 11, 187, 184, 11, 0, 64, 185, 178, 34, 68, 187, 0, 11, 41, 128, 148,  
176, 0, 11, 64, 0, 75, 184, 185, 75, 176, 128, 69, 43, 36, 181, 184, 73, 153, 150, 196,

139, 180, 148, 180, 69, 36, 73, 91, 156, 40, 138, 16, 64, 180, 69, 137, 255, 82, 137,  
146,  
75, 36, 187, 154, 106, 161, 36, 178, 137, 73, 156, 169, 73, 45, 118, 34, 68, 191, 27,  
69,  
18, 75, 153, 34, 193, 34, 91, 143, 91, 187, 74, 36, 66, 156, 198, 250, 169, 66, 82, 75,  
153, 42, 18, 32, 185, 68, 185, 0, 64, 68, 153, 74, 41, 152, 34, 4, 68, 185, 155, 4,  
9, 155, 184, 155, 153, 186, 32, 68, 66, 37, 75, 146, 42, 165, 185, 153, 197, 153, 185,  
128,  
153, 185, 209, 43, 73, 186, 154, 153, 153, 203, 73, 154, 73, 148, 73, 180, 73, 66, 41,  
153,  
164, 43, 84, 11, 4, 187, 92, 246, 146, 37, 162, 154, 105, 155, 75, 73, 146, 75, 187,  
11,  
152, 185, 187, 152, 90, 73, 34, 75, 187, 180, 36, 146, 75, 185, 75, 185, 154, 68, 187,  
75,  
176, 68, 0, 0, 187, 8, 11, 176, 176, 128, 0, 187, 11, 64, 0, 0, 128, 0, 4, 0,  
0, 11, 128, 11, 185, 0, 0, 9, 0, 0, 0, 0, 9, 136, 137, 139, 8, 11, 0, 0,  
0, 0, 0, 180, 184, 0, 8, 16, 0, 144, 0, 136, 0, 0, 73, 136, 0, 0, 0, 180,  
9, 8, 8, 8, 136, 68, 68, 184, 0, 136, 187, 186, 253, 170, 0, 184, 43, 139, 185, 170,  
169, 139, 9, 152, 153, 176, 0, 128, 155, 107, 17, 152, 4, 0, 152, 0, 136, 40, 64, 136,  
176, 64, 9, 148, 176, 132, 75, 11, 187, 11, 154, 169, 185, 9, 90, 0, 153, 75, 176, 11,  
68, 136, 136, 155, 128, 185, 153, 184, 11, 187, 185, 176, 66, 68, 180, 148, 187, 72,  
139, 139,  
0, 66, 64, 0, 185, 128, 185, 68, 68, 139, 0, 180, 180, 155, 180, 178, 73, 201, 153,  
148,  
0, 139, 8, 66, 68, 178, 155, 155, 26, 153, 73, 36, 11, 152, 76, 185, 222, 161, 187, 68,  
41, 36, 176, 92, 21, 181, 36, 184, 155, 155, 153, 84, 184, 181, 98, 36, 66, 197, 251,  
180,  
68, 75, 153, 73, 193, 178, 72, 188, 25, 75, 187, 11, 68, 42, 207, 253, 168, 146, 106,  
187,  
146, 40, 36, 2, 176, 187, 65, 32, 144, 66, 153, 42, 153, 153, 8, 153, 139, 153, 185,  
68,  
136, 144, 155, 187, 148, 154, 43, 187, 36, 68, 11, 36, 153, 75, 40, 148, 153, 4, 12,  
25,

153, 154, 146, 75, 155, 69, 185, 169, 153, 160, 185, 154, 164, 187, 187, 187, 41, 73,  
206, 202,  
153, 155, 187, 0, 180, 169, 77, 170, 85, 166, 237, 169, 89, 155, 187, 139, 180, 180,  
65, 164,  
155, 75, 187, 139, 75, 73, 187, 73, 187, 73, 91, 178, 73, 187, 155, 185, 4, 64, 176,  
75,  
0, 176, 11, 184, 128, 176, 11, 176, 0, 0, 176, 136, 8, 176, 184, 8, 176, 0, 80, 8,  
0, 8, 11, 187, 0, 0, 8, 0, 11, 8, 0, 11, 8, 128, 8, 176, 0, 64, 8, 8,  
139, 128, 0, 144, 176, 9, 0, 0, 9, 160, 8, 132, 155, 187, 176, 0, 187, 176, 0, 153,  
176, 8, 10, 128, 128, 176, 11, 176, 128, 0, 187, 8, 175, 250, 132, 0, 32, 187, 180,  
169,  
152, 75, 150, 184, 41, 32, 184, 128, 139, 32, 41, 75, 0, 64, 155, 0, 0, 40, 64, 180,  
66, 64, 181, 169, 176, 0, 176, 180, 187, 4, 154, 89, 187, 185, 250, 64, 155, 11, 64, 0,  
11, 136, 162, 168, 8, 144, 153, 139, 0, 187, 187, 132, 36, 70, 132, 155, 9, 43, 187,  
184,  
84, 84, 75, 137, 170, 187, 180, 148, 148, 181, 180, 176, 180, 187, 36, 68, 72, 194,  
138, 4,  
186, 152, 139, 64, 176, 187, 74, 91, 66, 168, 155, 34, 66, 64, 93, 68, 165, 153, 152,  
140,  
41, 68, 178, 73, 74, 11, 185, 180, 162, 184, 155, 36, 139, 157, 36, 68, 185, 37, 43,  
68,  
64, 41, 66, 153, 73, 176, 187, 178, 106, 64, 132, 180, 68, 90, 204, 204, 201, 154,  
175, 204,  
75, 43, 187, 4, 0, 178, 75, 36, 75, 187, 152, 146, 68, 0, 75, 8, 68, 152, 185, 146,  
155, 34, 136, 187, 75, 155, 145, 154, 185, 64, 187, 75, 169, 73, 201, 187, 185, 73,  
175, 105,  
153, 64, 79, 52, 185, 164, 184, 137, 137, 153, 186, 153, 187, 11, 181, 186, 105, 185,  
247, 220,  
153, 153, 154, 144, 4, 155, 68, 36, 195, 44, 204, 187, 156, 89, 139, 187, 187, 187,  
73, 187,  
180, 146, 36, 187, 149, 75, 180, 187, 11, 159, 228, 148, 187, 180, 187, 187, 187, 0,  
11, 185,  
137, 0, 187, 8, 171, 128, 8, 128, 128, 8, 72, 136, 0, 176, 139, 0, 0, 8, 0, 0,

0, 0, 64, 132, 128, 0, 0, 138, 8, 128, 176, 128, 8, 139, 136, 139, 176, 176, 0, 8,  
8, 139, 185, 11, 136, 8, 139, 0, 72, 0, 140, 169, 152, 152, 11, 136, 176, 8, 0, 4,  
64, 185, 185, 9, 184, 128, 176, 152, 128, 176, 0, 176, 140, 252, 164, 187, 128, 11,  
153, 185,  
148, 187, 175, 176, 185, 68, 137, 155, 139, 136, 11, 128, 68, 68, 176, 0, 184, 137,  
128, 153,  
64, 9, 43, 64, 137, 75, 139, 11, 64, 66, 194, 184, 132, 185, 64, 11, 148, 128, 64, 180,  
0, 73, 44, 233, 176, 139, 137, 184, 187, 11, 184, 137, 11, 34, 180, 72, 73, 152, 187,  
176,  
171, 64, 0, 187, 136, 68, 64, 187, 0, 68, 64, 187, 75, 180, 72, 180, 153, 155, 148,  
155,  
64, 169, 155, 139, 148, 75, 186, 41, 178, 155, 186, 50, 5, 64, 148, 155, 153, 170,  
153, 199,  
203, 64, 162, 75, 68, 36, 68, 11, 149, 75, 73, 137, 137, 5, 43, 180, 153, 68, 101, 75,  
148, 41, 146, 43, 73, 180, 66, 68, 73, 180, 75, 155, 64, 42, 202, 204, 170, 136, 172,  
164,  
146, 152, 155, 0, 68, 187, 11, 2, 187, 11, 138, 130, 40, 152, 0, 184, 89, 185, 153,  
148,  
132, 34, 139, 137, 43, 36, 153, 178, 178, 187, 11, 185, 156, 41, 153, 132, 155, 2, 41,  
170,  
106, 187, 186, 196, 154, 180, 75, 180, 73, 171, 155, 153, 176, 185, 154, 42, 43, 73,  
175, 250,  
153, 148, 175, 16, 11, 68, 178, 153, 146, 34, 170, 34, 33, 41, 11, 176, 0, 0, 165, 155,  
180, 180, 41, 155, 66, 187, 68, 68, 75, 153, 171, 187, 155, 180, 68, 187, 11, 72, 9,  
185,  
180, 185, 73, 137, 114, 176, 11, 176, 136, 128, 176, 176, 0, 0, 176, 8, 128, 136, 0,  
176,  
8, 11, 176, 128, 0, 11, 0, 184, 8, 180, 11, 9, 128, 0, 8, 0, 139, 0, 0, 0,  
128, 153, 155, 139, 0, 0, 8, 0, 11, 0, 2, 36, 0, 8, 187, 0, 64, 176, 4, 153,  
68, 41, 180, 4, 11, 64, 128, 128, 128, 8, 0, 8, 153, 207, 203, 4, 148, 11, 155, 0,  
180, 64, 66, 8, 136, 0, 64, 184, 128, 128, 0, 0, 11, 187, 176, 64, 0, 0, 8, 154,  
244, 15, 212, 9, 139, 137, 132, 2, 0, 188, 124, 73, 184, 185, 136, 180, 0, 0, 8, 64,



64, 43, 42, 203, 64, 144, 136, 153, 128, 11, 185, 130, 73, 184, 146, 155, 176, 137,  
176, 187,  
132, 162, 176, 184, 128, 41, 180, 84, 75, 180, 11, 188, 187, 184, 169, 184, 187, 187,  
153, 34,  
0, 170, 187, 136, 132, 11, 187, 66, 75, 180, 4, 68, 84, 64, 4, 36, 186, 155, 185, 76,  
153, 146, 74, 32, 66, 52, 66, 32, 176, 148, 75, 68, 146, 68, 4, 144, 34, 148, 153, 2,  
40, 136, 153, 155, 185, 185, 66, 34, 187, 75, 180, 144, 9, 75, 154, 170, 169, 154,  
146, 68,  
153, 187, 2, 68, 68, 184, 180, 201, 137, 73, 202, 73, 72, 155, 155, 185, 146, 136,  
154, 88,  
146, 43, 152, 155, 148, 180, 73, 153, 145, 187, 187, 198, 41, 82, 152, 5, 169, 69, 20,  
155,  
41, 75, 186, 171, 155, 176, 0, 155, 185, 171, 68, 9, 169, 187, 180, 178, 75, 74, 154,  
26,  
202, 185, 153, 64, 11, 187, 8, 162, 187, 150, 202, 20, 73, 75, 180, 73, 0, 155, 165,  
75,  
11, 185, 66, 41, 180, 11, 68, 36, 66, 4, 187, 185, 155, 185, 161, 64, 185, 180, 184,  
185,  
152, 185, 187, 185, 132, 2, 0, 0, 8, 128, 148, 0, 178, 136, 128, 8, 8, 132, 176, 148,  
64, 8, 136, 0, 0, 11, 8, 8, 0, 144, 106, 131, 200, 68, 11, 11, 8, 0, 0, 9,  
160, 136, 148, 0, 73, 176, 0, 4, 40, 0, 180, 68, 0, 11, 0, 0, 0, 176, 180, 73,  
187, 64, 181, 8, 155, 0, 8, 137, 187, 11, 0, 8, 152, 138, 26, 66, 176, 0, 11, 4,  
75, 0, 0, 176, 152, 2, 176, 8, 152, 153, 128, 0, 68, 176, 137, 137, 184, 8, 8, 153,  
34, 75, 34, 73, 176, 9, 133, 137, 11, 138, 250, 130, 187, 8, 184, 136, 139, 0, 68, 0,  
11, 136, 4, 185, 139, 0, 11, 133, 0, 176, 64, 75, 188, 68, 184, 168, 128, 187, 187, 0,  
4, 31, 180, 154, 210, 169, 184, 35, 36, 180, 176, 148, 184, 187, 152, 187, 155, 130,  
73, 68,  
4, 153, 149, 169, 137, 64, 180, 83, 68, 148, 187, 180, 32, 75, 155, 152, 138, 200,  
155, 153,  
41, 149, 36, 68, 2, 43, 178, 84, 64, 185, 43, 176, 132, 66, 180, 176, 74, 27, 132, 180,  
153, 132, 64, 4, 153, 178, 36, 70, 43, 155, 153, 153, 144, 148, 154, 154, 169, 136,  
18, 66,

153, 9, 66, 36, 36, 75, 154, 252, 152, 137, 249, 74, 58, 130, 149, 43, 41, 152, 159,  
41,  
146, 9, 153, 128, 68, 180, 75, 155, 187, 187, 187, 146, 68, 149, 187, 178, 45, 89,  
185, 68,  
169, 148, 154, 164, 34, 155, 9, 84, 178, 155, 75, 11, 180, 176, 185, 68, 187, 185,  
154, 146,  
252, 73, 187, 185, 187, 68, 185, 81, 68, 74, 186, 194, 75, 154, 32, 180, 11, 187, 187,  
64,  
4, 41, 68, 186, 171, 68, 185, 68, 36, 36, 187, 153, 176, 185, 241, 185, 185, 187, 185,  
153,  
0, 0, 0, 137, 139, 9, 153, 176, 0, 128, 176, 155, 0, 139, 0, 8, 8, 0, 8, 8,  
0, 8, 137, 132, 68, 0, 9, 192, 0, 0, 148, 136, 187, 0, 176, 2, 40, 0, 8, 11,  
128, 139, 4, 0, 64, 128, 0, 0, 0, 0, 132, 68, 11, 66, 176, 68, 9, 152, 185, 8,  
4, 64, 11, 128, 187, 136, 0, 128, 184, 176, 128, 0, 154, 146, 204, 153, 155, 68, 8,  
136,  
8, 75, 11, 8, 128, 11, 176, 8, 0, 75, 180, 4, 185, 0, 136, 0, 128, 128, 9, 153,  
68, 185, 69, 139, 180, 152, 130, 43, 64, 180, 154, 75, 9, 136, 153, 184, 11, 4, 176,  
11,  
139, 8, 11, 0, 137, 218, 75, 139, 11, 68, 75, 153, 146, 41, 155, 172, 128, 32, 0, 180,  
4, 34, 207, 250, 203, 176, 185, 149, 148, 11, 187, 139, 11, 137, 139, 180, 187, 37,  
11, 64,  
4, 187, 154, 170, 130, 84, 66, 66, 75, 136, 139, 184, 136, 139, 41, 73, 138, 251, 41,  
153,  
180, 247, 34, 0, 0, 68, 36, 4, 73, 187, 0, 75, 66, 148, 66, 132, 76, 57, 153, 185,  
73, 68, 34, 137, 152, 4, 154, 69, 225, 75, 146, 162, 73, 149, 73, 168, 154, 152, 148,  
152,  
176, 9, 180, 36, 68, 36, 155, 136, 136, 171, 0, 72, 192, 139, 148, 4, 153, 169, 130,  
40,  
68, 152, 152, 146, 128, 187, 155, 153, 187, 185, 152, 42, 73, 145, 68, 74, 104, 144,  
73, 165,  
41, 73, 177, 33, 227, 41, 187, 68, 155, 144, 68, 180, 187, 185, 153, 178, 187, 155,  
148, 155,

66, 153, 187, 11, 0, 11, 43, 132, 11, 185, 187, 75, 187, 180, 43, 69, 187, 75, 155,  
187,  
144, 11, 153, 11, 75, 64, 185, 148, 69, 84, 75, 155, 11, 148, 36, 4, 154, 187, 187, 11,  
8, 8, 8, 180, 176, 4, 204, 11, 0, 136, 68, 176, 0, 0, 0, 21, 11, 128, 136, 0,  
0, 4, 72, 0, 64, 176, 137, 160, 0, 11, 128, 144, 136, 128, 0, 139, 11, 136, 128, 0,  
0, 184, 64, 0, 0, 11, 0, 0, 4, 8, 128, 180, 144, 176, 4, 4, 185, 155, 9, 176,  
0, 75, 0, 72, 72, 144, 136, 187, 64, 73, 128, 0, 136, 8, 156, 90, 88, 11, 187, 11,  
180, 0, 0, 0, 4, 0, 128, 11, 8, 185, 176, 0, 8, 40, 137, 128, 128, 0, 136, 136,  
155, 11, 4, 139, 8, 176, 2, 64, 0, 0, 139, 75, 187, 136, 136, 132, 43, 187, 73, 9,  
211, 155, 184, 152, 137, 169, 136, 148, 184, 144, 139, 73, 145, 43, 184, 195, 164,  
64, 144, 170,  
0, 9, 193, 68, 153, 213, 89, 72, 84, 73, 148, 64, 0, 153, 75, 37, 75, 64, 64, 187,  
68, 128, 178, 152, 148, 155, 9, 68, 4, 139, 176, 180, 185, 180, 66, 72, 153, 148, 42,  
36,  
4, 165, 68, 0, 64, 197, 146, 75, 155, 187, 137, 186, 42, 137, 153, 43, 148, 41, 73, 75,  
155, 184, 12, 40, 243, 250, 149, 146, 26, 68, 185, 250, 64, 148, 168, 168, 152, 139,  
187, 180,  
68, 64, 180, 50, 34, 20, 75, 137, 169, 68, 4, 66, 41, 139, 0, 9, 40, 153, 68, 155,  
128, 187, 73, 85, 153, 155, 9, 171, 0, 185, 187, 185, 73, 180, 68, 180, 169, 144, 74,  
93,  
41, 75, 178, 81, 213, 160, 186, 75, 75, 137, 64, 75, 187, 185, 73, 178, 75, 187, 31,  
155,  
155, 73, 155, 11, 176, 11, 180, 8, 68, 68, 144, 187, 68, 178, 75, 64, 11, 180, 187, 11,  
73, 148, 43, 64, 144, 148, 153, 155, 145, 91, 75, 153, 187, 155, 75, 65, 146, 155,  
153, 155,  
8, 9, 136, 8, 8, 0, 36, 157, 144, 72, 9, 128, 180, 0, 0, 72, 64, 0, 152, 136,  
0, 128, 8, 0, 152, 0, 0, 128, 8, 0, 11, 8, 185, 4, 0, 0, 8, 128, 0, 128,  
0, 152, 0, 0, 0, 11, 8, 136, 4, 0, 0, 4, 176, 176, 0, 9, 138, 169, 75, 4,  
0, 73, 72, 0, 176, 187, 11, 68, 202, 184, 176, 184, 152, 180, 186, 197, 144, 0, 136,  
130,  
11, 11, 176, 128, 0, 9, 137, 68, 72, 36, 0, 180, 132, 136, 9, 136, 176, 144, 176, 64,  
152, 4, 4, 75, 184, 176, 9, 176, 187, 9, 152, 176, 8, 128, 184, 185, 184, 11, 73, 139,

255, 64, 8, 139, 8, 184, 152, 155, 9, 152, 137, 40, 34, 75, 186, 154, 152, 75, 249,  
139,  
184, 155, 138, 145, 170, 213, 16, 35, 152, 187, 132, 0, 66, 73, 0, 73, 73, 185, 64, 74,  
34, 180, 73, 152, 180, 148, 75, 0, 68, 2, 180, 43, 178, 176, 148, 20, 136, 163, 73, 68,  
176, 68, 68, 73, 16, 82, 44, 75, 75, 184, 139, 44, 72, 72, 72, 176, 72, 152, 84, 68,  
75, 9, 137, 155, 34, 202, 166, 84, 220, 34, 153, 150, 80, 11, 152, 184, 139, 0, 180,  
68,  
66, 68, 178, 84, 4, 36, 148, 154, 192, 153, 180, 66, 72, 185, 187, 148, 73, 169, 153,  
187,  
9, 148, 68, 255, 41, 32, 155, 43, 185, 41, 149, 187, 155, 162, 64, 155, 138, 149, 66,  
146,  
43, 82, 147, 210, 169, 98, 66, 74, 164, 180, 187, 154, 75, 154, 34, 73, 153, 187, 34,  
148,  
180, 153, 68, 185, 187, 187, 180, 187, 178, 36, 187, 11, 178, 75, 187, 153, 137, 186,  
148, 6,  
89, 73, 75, 64, 11, 11, 185, 74, 82, 176, 155, 148, 155, 187, 75, 75, 153, 148, 68,  
148,  
0, 9, 64, 136, 176, 4, 185, 65, 139, 0, 180, 176, 0, 0, 0, 0, 176, 136, 8, 136,  
0, 139, 187, 176, 0, 184, 128, 9, 187, 0, 152, 64, 184, 139, 128, 11, 136, 0, 0, 0,  
128, 0, 4, 72, 9, 43, 9, 137, 64, 176, 0, 8, 11, 0, 0, 137, 140, 250, 91, 176,  
0, 178, 192, 132, 80, 4, 136, 9, 9, 185, 75, 180, 73, 132, 66, 85, 146, 184, 184, 157,  
72, 176, 0, 128, 128, 8, 152, 187, 8, 136, 148, 137, 176, 11, 9, 139, 0, 75, 180, 187,  
136, 0, 9, 148, 176, 0, 180, 8, 11, 148, 185, 185, 64, 11, 187, 4, 187, 136, 75, 132,  
153, 146, 8, 128, 8, 178, 89, 148, 8, 137, 9, 144, 148, 136, 185, 168, 146, 75, 162,  
146,  
180, 12, 201, 133, 137, 165, 68, 76, 75, 155, 36, 64, 4, 185, 155, 148, 155, 146, 64,  
66,  
80, 139, 187, 187, 184, 74, 43, 64, 68, 84, 64, 187, 73, 9, 137, 249, 132, 33, 89, 187,  
0, 37, 66, 9, 139, 153, 152, 43, 139, 68, 36, 148, 73, 184, 72, 180, 4, 137, 68, 2,  
32, 11, 138, 75, 148, 153, 149, 169, 82, 73, 178, 65, 155, 10, 149, 75, 153, 66, 148,  
75,  
180, 36, 176, 178, 66, 101, 66, 96, 4, 18, 34, 68, 68, 137, 155, 180, 137, 153, 73,  
164,

4, 132, 64, 34, 152, 72, 9, 171, 187, 68, 36, 75, 185, 180, 73, 153, 35, 194, 185, 41,  
153, 41, 45, 106, 50, 82, 36, 79, 91, 32, 68, 145, 185, 22, 41, 89, 36, 155, 146, 81,  
84, 155, 75, 34, 68, 180, 187, 187, 148, 43, 155, 187, 187, 178, 187, 187, 185, 145,  
36, 186,  
155, 154, 75, 75, 159, 0, 166, 154, 82, 155, 43, 187, 187, 187, 187, 180, 76, 73, 172,  
213,  
8, 136, 0, 132, 0, 11, 184, 139, 139, 8, 0, 0, 9, 11, 8, 139, 0, 11, 8, 184,  
64, 0, 137, 0, 65, 153, 139, 8, 0, 8, 0, 128, 139, 0, 128, 152, 136, 8, 8, 0,  
8, 11, 4, 153, 137, 152, 136, 136, 130, 180, 64, 11, 184, 0, 0, 184, 188, 250, 152,  
160,  
0, 187, 176, 0, 72, 139, 0, 180, 0, 11, 184, 9, 11, 11, 184, 42, 153, 72, 187, 132,  
187, 176, 0, 0, 4, 128, 187, 176, 132, 8, 176, 8, 136, 176, 8, 176, 9, 176, 176, 187,  
128, 180, 11, 187, 9, 136, 75, 11, 184, 153, 152, 136, 144, 8, 185, 75, 180, 137, 185,  
185,  
184, 0, 8, 4, 137, 180, 136, 0, 176, 152, 180, 184, 130, 176, 155, 153, 171, 148, 185,  
91,  
75, 191, 201, 0, 68, 129, 64, 185, 184, 148, 64, 0, 10, 185, 41, 4, 180, 72, 68, 2,  
11, 66, 75, 187, 11, 2, 68, 68, 2, 64, 41, 155, 153, 153, 152, 180, 75, 68, 178, 176,  
180, 178, 64, 66, 139, 146, 185, 136, 42, 132, 149, 91, 68, 148, 152, 64, 2, 164, 185,  
148,  
68, 75, 3, 144, 176, 73, 180, 42, 97, 73, 180, 187, 152, 185, 181, 73, 41, 194, 187,  
75,  
75, 75, 160, 4, 169, 82, 68, 196, 146, 242, 32, 146, 154, 137, 153, 155, 153, 152,  
153, 153,  
2, 152, 64, 136, 36, 176, 156, 249, 155, 185, 75, 11, 68, 4, 185, 153, 186, 96, 185,  
68,  
68, 43, 149, 154, 201, 36, 34, 75, 68, 27, 80, 171, 155, 153, 180, 66, 185, 180, 154,  
98,  
68, 64, 176, 68, 68, 187, 68, 75, 197, 180, 171, 187, 0, 187, 187, 176, 187, 155, 187,  
187,  
185, 162, 155, 155, 76, 43, 186, 178, 9, 155, 41, 144, 187, 180, 180, 187, 46, 89, 38,  
201,  
136, 11, 0, 139, 176, 128, 184, 0, 187, 0, 187, 0, 15, 84, 0, 11, 4, 11, 0, 8,

128, 132, 8, 0, 158, 249, 0, 8, 128, 136, 8, 8, 139, 128, 187, 185, 139, 0, 11, 0,  
0, 176, 11, 176, 185, 176, 0, 64, 66, 4, 0, 139, 8, 136, 9, 64, 1, 234, 204, 144,  
0, 187, 0, 0, 75, 11, 11, 4, 75, 139, 176, 176, 73, 155, 34, 155, 162, 152, 176, 0,  
75, 176, 0, 64, 75, 136, 72, 105, 36, 148, 0, 0, 0, 0, 136, 128, 73, 176, 4, 152,  
139, 0, 144, 184, 180, 139, 176, 75, 4, 8, 4, 152, 148, 153, 139, 36, 155, 176, 187,  
75,  
176, 130, 8, 0, 152, 148, 11, 176, 0, 187, 8, 154, 66, 155, 36, 41, 187, 187, 4, 43,  
187, 185, 153, 66, 155, 180, 75, 155, 0, 187, 0, 64, 75, 152, 73, 136, 137, 152, 187,  
178,  
2, 43, 155, 64, 64, 11, 180, 68, 2, 68, 41, 73, 155, 153, 153, 156, 40, 180, 155, 185,  
155, 36, 43, 187, 155, 180, 153, 69, 128, 187, 164, 75, 181, 132, 152, 176, 185, 85,  
73, 192,  
68, 75, 178, 155, 41, 68, 152, 159, 17, 40, 148, 128, 137, 73, 144, 152, 31, 75, 136,  
155,  
75, 130, 100, 180, 66, 34, 171, 148, 73, 66, 68, 73, 136, 185, 139, 185, 136, 185,  
194, 68,  
139, 241, 84, 148, 132, 34, 158, 57, 155, 187, 187, 187, 66, 155, 73, 140, 202, 82,  
75, 41,  
187, 34, 43, 153, 44, 66, 73, 75, 66, 84, 64, 139, 128, 187, 187, 180, 176, 187, 90,  
164,  
75, 64, 10, 68, 73, 73, 186, 43, 26, 193, 26, 187, 0, 0, 0, 187, 11, 176, 176, 75,  
187, 148, 132, 187, 185, 43, 148, 180, 187, 187, 185, 180, 75, 187, 187, 187, 149,  
155, 153, 153,  
139, 0, 11, 0, 72, 128, 8, 176, 0, 136, 136, 0, 0, 75, 8, 0, 4, 4, 128, 8,  
176, 139, 8, 8, 4, 153, 128, 128, 8, 8, 128, 68, 36, 180, 187, 137, 176, 4, 64, 0,  
176, 8, 0, 64, 11, 185, 64, 0, 0, 0, 0, 128, 136, 8, 2, 72, 76, 220, 89, 64,  
0, 11, 137, 155, 139, 136, 8, 0, 64, 184, 0, 11, 159, 194, 172, 252, 162, 153, 136,  
137,  
0, 176, 8, 4, 8, 184, 41, 32, 0, 10, 11, 144, 64, 0, 4, 176, 187, 0, 128, 176,  
176, 136, 176, 11, 140, 153, 139, 176, 11, 75, 185, 201, 187, 136, 155, 146, 153,  
187, 184, 155,  
180, 146, 64, 185, 153, 68, 66, 180, 75, 64, 187, 136, 180, 187, 148, 0, 4, 64, 4, 187,

176, 178, 73, 8, 29, 32, 68, 0, 68, 187, 184, 187, 139, 139, 153, 155, 185, 152, 153,  
4,  
66, 82, 187, 32, 75, 187, 68, 68, 11, 68, 130, 47, 201, 136, 153, 163, 148, 185, 144,  
154,  
137, 148, 128, 4, 155, 40, 250, 69, 75, 153, 169, 186, 171, 132, 138, 153, 204, 165,  
64, 68,  
4, 187, 8, 176, 187, 89, 73, 159, 248, 42, 68, 180, 68, 75, 144, 153, 146, 153, 137,  
139,  
185, 153, 187, 9, 74, 195, 249, 155, 153, 32, 180, 185, 155, 73, 153, 137, 153, 42,  
113, 65,  
171, 198, 155, 164, 0, 69, 92, 169, 155, 155, 186, 146, 211, 164, 73, 150, 98, 64,  
169, 148,  
68, 153, 153, 73, 65, 162, 197, 187, 153, 144, 185, 152, 176, 180, 153, 187, 187,  
187, 36, 148,  
155, 187, 67, 32, 185, 186, 75, 84, 185, 108, 153, 176, 0, 128, 128, 146, 178, 64, 0,  
187,  
185, 241, 169, 75, 153, 148, 73, 185, 176, 11, 155, 185, 66, 187, 73, 185, 42, 155,  
156, 185,  
8, 128, 155, 3, 100, 0, 0, 9, 169, 8, 0, 187, 0, 0, 136, 128, 0, 128, 128, 128,  
0, 0, 4, 64, 8, 144, 0, 8, 0, 0, 8, 9, 0, 8, 196, 11, 187, 8, 68, 180,  
137, 176, 0, 0, 64, 0, 136, 0, 0, 139, 187, 128, 136, 187, 4, 176, 185, 202, 168, 41,  
4, 82, 4, 137, 152, 0, 139, 0, 187, 0, 0, 187, 15, 81, 243, 227, 25, 41, 136, 128,  
64, 11, 0, 0, 0, 11, 43, 0, 8, 185, 64, 73, 144, 4, 187, 9, 139, 4, 40, 148,  
144, 8, 0, 137, 138, 40, 187, 0, 64, 176, 152, 156, 41, 184, 137, 154, 153, 187, 9, 68,  
64, 73, 176, 185, 137, 66, 4, 176, 11, 132, 34, 128, 178, 180, 64, 64, 4, 0, 75, 148,  
139, 180, 64, 68, 42, 4, 75, 176, 176, 9, 139, 187, 176, 128, 152, 176, 184, 156, 34,  
66,  
4, 108, 137, 36, 180, 148, 0, 0, 0, 155, 69, 66, 82, 0, 132, 73, 137, 68, 139, 139,  
138, 32, 155, 146, 155, 9, 0, 187, 136, 136, 153, 152, 137, 184, 154, 169, 238, 69,  
43, 82,  
68, 11, 0, 187, 0, 4, 11, 153, 156, 34, 180, 75, 64, 180, 149, 139, 139, 72, 139, 180,  
178, 66, 176, 176, 69, 247, 236, 153, 89, 42, 82, 184, 148, 82, 136, 152, 153, 207,  
82, 65,

194, 152, 153, 36, 136, 152, 64, 169, 36, 75, 153, 250, 227, 249, 148, 185, 155, 4,  
84, 41,  
162, 75, 148, 155, 185, 186, 126, 144, 187, 144, 153, 152, 68, 20, 187, 187, 11, 11,  
185, 187,  
155, 66, 36, 75, 11, 86, 2, 36, 68, 170, 155, 11, 165, 0, 0, 147, 68, 8, 8, 128,  
130, 249, 11, 187, 75, 187, 176, 187, 176, 180, 180, 75, 185, 169, 187, 155, 154, 66,  
154, 148,  
8, 11, 11, 9, 32, 128, 137, 155, 75, 184, 140, 155, 176, 0, 128, 0, 128, 128, 0, 8,  
8, 128, 0, 64, 8, 0, 0, 0, 8, 4, 8, 137, 148, 137, 146, 9, 0, 4, 11, 180,  
176, 64, 139, 2, 0, 0, 0, 8, 144, 0, 0, 0, 0, 153, 185, 176, 152, 153, 152, 187,  
178, 18, 0, 9, 152, 8, 11, 128, 0, 0, 137, 187, 2, 33, 215, 119, 194, 43, 169, 136,  
64, 8, 0, 0, 137, 2, 36, 0, 128, 128, 9, 241, 8, 176, 0, 11, 155, 64, 154, 155,  
128, 128, 0, 176, 148, 73, 137, 152, 0, 0, 0, 173, 155, 8, 41, 152, 139, 8, 176, 43,  
156, 41, 8, 176, 146, 11, 148, 0, 156, 56, 187, 184, 153, 184, 180, 11, 0, 64, 11, 152,  
185, 36, 0, 3, 69, 0, 153, 11, 0, 8, 132, 187, 136, 148, 139, 128, 130, 144, 150, 171,  
153, 187, 40, 176, 180, 75, 4, 4, 43, 75, 167, 82, 162, 184, 75, 187, 137, 64, 64, 186,  
56, 138, 184, 9, 152, 9, 176, 184, 155, 153, 169, 64, 187, 140, 82, 138, 203, 74, 176,  
66,  
85, 0, 37, 4, 11, 139, 185, 155, 153, 73, 194, 40, 11, 146, 137, 187, 69, 32, 136, 184,  
36, 11, 4, 176, 72, 175, 164, 154, 132, 34, 68, 155, 154, 106, 152, 68, 9, 166, 53,  
180,  
153, 176, 128, 188, 164, 164, 68, 178, 43, 187, 153, 202, 202, 185, 98, 187, 176, 4,  
34, 34,  
68, 11, 185, 68, 187, 179, 26, 148, 176, 185, 185, 153, 195, 98, 73, 187, 187, 187,  
180, 34,  
162, 68, 187, 180, 73, 34, 68, 68, 68, 64, 155, 0, 85, 4, 152, 4, 64, 0, 0, 64,  
132, 4, 36, 11, 187, 187, 187, 187, 187, 11, 68, 75, 185, 73, 153, 146, 74, 185, 47,  
212,  
132, 9, 184, 132, 176, 132, 139, 0, 11, 132, 77, 84, 64, 0, 0, 136, 8, 0, 4, 144,  
0, 11, 12, 32, 0, 0, 136, 8, 136, 128, 8, 144, 0, 139, 139, 139, 11, 72, 0, 9,  
128, 8, 0, 68, 8, 8, 128, 0, 187, 176, 0, 9, 11, 11, 136, 185, 0, 152, 128, 4,  
184, 149, 136, 139, 136, 0, 0, 0, 132, 11, 0, 9, 9, 154, 109, 97, 169, 82, 184, 128,  
4, 8, 184, 0, 187, 8, 136, 4, 128, 136, 187, 42, 18, 176, 11, 136, 0, 4, 205, 72,



0, 136, 187, 0, 4, 9, 136, 184, 11, 11, 152, 154, 136, 159, 60, 136, 64, 176, 187, 128,  
130, 176, 176, 8, 136, 146, 40, 136, 207, 164, 136, 136, 137, 136, 32, 0, 11, 0, 139,  
132,  
0, 84, 75, 4, 68, 42, 168, 184, 8, 128, 137, 11, 136, 130, 148, 152, 153, 137, 36, 152,  
176, 66, 11, 153, 145, 82, 36, 0, 180, 69, 188, 36, 66, 186, 176, 0, 74, 36, 84, 178,  
249, 139, 184, 68, 91, 2, 4, 152, 73, 162, 168, 155, 184, 172, 162, 37, 73, 185, 187,  
0,  
180, 68, 68, 155, 9, 165, 146, 152, 148, 170, 43, 138, 139, 155, 137, 155, 146, 144,  
139, 64,  
176, 0, 11, 178, 66, 152, 155, 185, 144, 76, 84, 25, 89, 218, 137, 139, 66, 152, 36,  
185,  
155, 187, 139, 144, 68, 153, 34, 68, 64, 9, 153, 218, 41, 155, 68, 187, 155, 180, 68,  
68,  
75, 11, 185, 68, 187, 66, 74, 36, 176, 11, 41, 156, 181, 36, 64, 11, 187, 187, 153,  
206,  
57, 178, 155, 73, 187, 181, 9, 75, 178, 155, 155, 176, 68, 185, 136, 75, 185, 8, 176,  
176,  
152, 180, 66, 187, 187, 187, 73, 41, 68, 187, 75, 75, 9, 153, 185, 153, 149, 73, 170,  
196,  
184, 136, 136, 0, 8, 136, 8, 0, 136, 72, 180, 187, 0, 136, 0, 8, 128, 0, 136, 128,  
0, 11, 5, 171, 8, 0, 128, 136, 8, 136, 8, 180, 72, 176, 8, 128, 0, 0, 0, 184,  
176, 136, 11, 64, 185, 139, 11, 136, 154, 185, 9, 9, 188, 176, 152, 0, 0, 180, 153, 0,  
178, 215, 168, 148, 9, 176, 11, 166, 136, 128, 0, 155, 8, 9, 28, 95, 197, 89, 184, 152,  
152, 11, 128, 128, 11, 0, 0, 139, 0, 64, 144, 184, 194, 187, 11, 153, 155, 4, 186, 144,  
0, 8, 130, 11, 176, 67, 136, 187, 0, 146, 153, 152, 0, 199, 122, 153, 68, 11, 0, 185,  
148, 64, 75, 187, 137, 195, 187, 153, 68, 153, 154, 154, 136, 128, 144, 64, 139, 155,  
171, 176,  
68, 180, 75, 176, 91, 69, 57, 176, 42, 169, 153, 136, 153, 4, 148, 43, 155, 152, 137,  
8,  
0, 4, 75, 4, 181, 37, 80, 64, 187, 181, 148, 2, 64, 180, 144, 68, 2, 68, 64, 187,  
153, 153, 152, 41, 153, 144, 34, 171, 154, 139, 152, 153, 153, 34, 4, 75, 187, 154,  
186, 68,

68, 178, 75, 185, 73, 170, 155, 73, 185, 82, 64, 185, 75, 184, 185, 169, 178, 187,  
144, 2,  
80, 75, 187, 180, 187, 153, 90, 32, 180, 34, 41, 72, 153, 168, 136, 33, 4, 9, 180, 186,  
192, 187, 185, 11, 148, 137, 73, 155, 66, 153, 153, 73, 155, 185, 148, 187, 187, 186,  
68, 75,  
144, 178, 187, 68, 43, 180, 149, 73, 75, 11, 73, 148, 73, 82, 64, 185, 187, 187, 73,  
167,  
233, 66, 155, 180, 68, 148, 187, 187, 74, 73, 187, 187, 180, 176, 75, 8, 11, 11, 153,  
139,  
166, 65, 20, 68, 66, 75, 73, 185, 68, 36, 4, 176, 11, 73, 187, 165, 53, 82, 146, 36,  
72, 128, 128, 176, 128, 0, 8, 128, 136, 9, 184, 8, 0, 8, 128, 137, 0, 128, 8, 184,  
8, 176, 2, 100, 128, 8, 0, 136, 72, 136, 136, 181, 73, 66, 9, 176, 132, 132, 139, 0,  
8, 137, 0, 0, 136, 136, 128, 0, 187, 139, 137, 0, 137, 155, 64, 8, 11, 11, 128, 185,  
152, 222, 168, 176, 11, 153, 176, 74, 136, 128, 128, 139, 4, 43, 41, 37, 169, 185,  
139, 164,  
136, 176, 128, 11, 0, 0, 8, 4, 152, 152, 128, 128, 152, 139, 139, 162, 187, 136, 176,  
75,  
187, 187, 0, 66, 184, 2, 43, 144, 180, 187, 137, 160, 64, 173, 202, 155, 64, 184, 0,  
136,  
155, 0, 34, 75, 8, 172, 153, 136, 139, 178, 175, 202, 137, 155, 75, 0, 187, 155, 34, 0,  
184, 148, 64, 178, 64, 139, 180, 128, 9, 146, 200, 136, 153, 180, 75, 187, 180, 153,  
148, 144,  
187, 169, 176, 11, 4, 66, 68, 136, 0, 155, 68, 187, 184, 184, 68, 75, 146, 68, 75, 139,  
153, 153, 148, 73, 137, 155, 66, 34, 153, 153, 153, 153, 171, 34, 68, 84, 68, 184, 6,  
43,  
187, 180, 185, 187, 153, 155, 144, 82, 159, 82, 0, 154, 137, 73, 185, 155, 144, 73, 5,  
100,  
32, 4, 139, 73, 187, 66, 255, 68, 4, 66, 187, 153, 137, 89, 137, 162, 136, 144, 2, 153,  
155, 146, 4, 2, 57, 153, 148, 41, 178, 185, 169, 68, 155, 68, 73, 187, 187, 75, 73,  
185,  
153, 185, 187, 185, 36, 180, 149, 41, 75, 11, 42, 178, 73, 82, 75, 187, 180, 11, 185,  
161,

202, 146, 148, 187, 185, 43, 180, 187, 69, 155, 153, 207, 148, 187, 92, 9, 176, 132,  
41, 68,  
161, 25, 84, 187, 178, 187, 187, 68, 36, 68, 187, 176, 185, 75, 73, 42, 165, 202, 68,  
146,  
176, 8, 11, 0, 0, 8, 128, 176, 176, 197, 4, 8, 128, 9, 138, 217, 155, 0, 8, 11,  
128, 0, 9, 84, 128, 8, 0, 0, 64, 10, 4, 33, 64, 70, 4, 104, 187, 75, 187, 176,  
64, 187, 2, 176, 185, 139, 0, 0, 154, 136, 128, 8, 128, 153, 0, 11, 11, 137, 153, 152,  
184, 153, 136, 128, 4, 187, 187, 128, 128, 136, 184, 0, 4, 0, 73, 169, 40, 187, 184,  
136,  
148, 136, 0, 176, 64, 0, 0, 128, 184, 184, 187, 64, 153, 153, 185, 75, 9, 132, 64, 184,  
0, 187, 68, 184, 185, 4, 148, 148, 185, 0, 9, 11, 187, 185, 128, 0, 184, 180, 8, 11,  
128, 75, 181, 75, 9, 137, 180, 148, 180, 44, 215, 236, 153, 203, 187, 75, 9, 75, 75,  
64,  
184, 180, 8, 68, 0, 187, 187, 0, 9, 90, 40, 153, 137, 184, 153, 155, 187, 185, 169,  
155,  
155, 41, 8, 176, 176, 68, 75, 136, 0, 36, 184, 155, 11, 8, 187, 130, 176, 36, 0, 139,  
185, 154, 36, 187, 153, 139, 148, 153, 153, 41, 154, 36, 66, 75, 36, 89, 148, 178, 92,  
75,  
187, 139, 75, 75, 136, 187, 0, 137, 154, 32, 4, 148, 68, 184, 205, 169, 155, 65, 34,  
80,  
64, 165, 148, 187, 64, 66, 36, 64, 68, 68, 72, 180, 130, 152, 73, 136, 153, 155, 9,  
153,  
150, 91, 9, 155, 26, 139, 128, 41, 185, 154, 153, 75, 187, 33, 187, 41, 187, 187, 185,  
73,  
148, 187, 43, 180, 41, 155, 180, 75, 186, 155, 73, 4, 155, 66, 11, 187, 187, 187, 41,  
154,  
156, 187, 187, 187, 146, 153, 154, 187, 187, 153, 187, 254, 75, 176, 175, 187, 37,  
47, 84, 197,  
5, 20, 155, 73, 11, 187, 155, 68, 36, 180, 176, 128, 148, 146, 146, 34, 37, 34, 37, 36,  
73, 8, 8, 137, 136, 0, 155, 136, 11, 11, 0, 0, 128, 8, 154, 229, 128, 0, 0, 8,  
0, 0, 128, 0, 136, 139, 0, 128, 176, 0, 187, 150, 64, 144, 75, 139, 4, 0, 0, 139,  
0, 0, 0, 0, 128, 4, 0, 11, 136, 136, 176, 64, 11, 139, 75, 176, 139, 73, 136, 144,

194, 152, 137, 139, 64, 0, 184, 11, 176, 128, 8, 187, 4, 0, 139, 254, 171, 184, 184,  
176,  
0, 152, 136, 11, 68, 8, 128, 176, 137, 15, 196, 4, 72, 144, 73, 187, 144, 130, 176, 64,  
0, 37, 64, 9, 0, 8, 184, 166, 184, 136, 180, 185, 11, 156, 148, 185, 152, 68, 0, 184,  
128, 185, 0, 136, 136, 148, 75, 184, 152, 154, 215, 236, 170, 152, 155, 0, 187, 64,  
187, 9,  
11, 187, 73, 132, 4, 187, 187, 68, 144, 139, 4, 42, 180, 155, 168, 180, 68, 73, 180,  
169,  
8, 144, 185, 176, 32, 128, 8, 136, 64, 11, 136, 155, 176, 136, 180, 184, 36, 68, 180,  
75,  
9, 152, 148, 137, 137, 152, 152, 66, 153, 150, 32, 68, 155, 180, 66, 75, 187, 66, 98,  
36,  
139, 42, 68, 178, 187, 176, 64, 73, 153, 36, 4, 66, 36, 9, 215, 40, 139, 37, 82, 66,  
0, 41, 148, 187, 43, 180, 68, 68, 64, 64, 187, 136, 73, 241, 153, 136, 149, 146, 41,  
153,  
199, 210, 73, 73, 40, 128, 185, 34, 75, 187, 38, 68, 9, 144, 148, 34, 187, 75, 185,  
153,  
169, 180, 155, 185, 41, 181, 187, 187, 153, 36, 144, 137, 148, 33, 187, 11, 155, 187,  
73, 153,  
148, 155, 155, 185, 148, 185, 146, 84, 187, 153, 75, 146, 180, 187, 187, 176, 4, 69,  
153, 26,  
8, 153, 172, 40, 128, 187, 155, 68, 75, 68, 136, 75, 193, 153, 42, 90, 85, 196, 170,  
68,  
152, 64, 8, 0, 128, 8, 136, 128, 132, 36, 0, 8, 139, 8, 136, 72, 128, 8, 8, 0,  
32, 136, 11, 8, 8, 184, 176, 139, 36, 11, 187, 0, 0, 0, 184, 176, 8, 0, 68, 144,  
0, 0, 136, 11, 136, 68, 4, 72, 136, 137, 176, 101, 11, 184, 187, 4, 139, 187, 64, 11,  
102, 200, 136, 75, 0, 4, 176, 184, 176, 184, 139, 132, 0, 0, 178, 254, 75, 176, 0, 0,  
137, 136, 186, 184, 0, 11, 68, 0, 153, 42, 36, 64, 8, 36, 75, 187, 184, 64, 73, 64,  
9, 130, 187, 157, 73, 41, 0, 137, 153, 152, 11, 0, 75, 79, 155, 137, 153, 187, 185, 9,  
128, 4, 168, 153, 40, 152, 11, 75, 153, 170, 205, 236, 169, 136, 128, 4, 187, 75, 11,  
75,  
180, 75, 176, 148, 21, 36, 187, 4, 137, 155, 184, 4, 75, 72, 169, 187, 69, 43, 140,  
171,

180, 144, 28, 8, 9, 128, 11, 11, 0, 11, 72, 137, 155, 136, 153, 36, 180, 68, 185, 155,  
0, 185, 154, 18, 137, 40, 187, 66, 196, 144, 155, 180, 187, 128, 64, 75, 139, 2, 132,  
40,  
146, 194, 68, 187, 75, 187, 64, 64, 34, 0, 68, 68, 68, 66, 220, 169, 139, 4, 176, 66,  
64, 176, 187, 68, 180, 187, 180, 64, 36, 132, 73, 153, 139, 34, 153, 184, 32, 146, 25,  
36,  
28, 81, 37, 130, 73, 185, 130, 155, 68, 75, 81, 68, 185, 187, 148, 75, 187, 155, 180,  
75,  
155, 66, 75, 11, 153, 153, 0, 73, 185, 73, 187, 75, 187, 75, 185, 185, 153, 180, 66,  
171,  
187, 187, 187, 191, 26, 178, 36, 187, 187, 185, 176, 155, 187, 180, 64, 0, 0, 9, 187,  
155,  
11, 9, 99, 43, 11, 75, 169, 148, 68, 180, 184, 181, 42, 170, 170, 204, 241, 26, 170,  
153,  
176, 8, 139, 8, 128, 8, 136, 176, 4, 148, 139, 136, 176, 184, 137, 66, 128, 73, 128, 9,  
8, 0, 0, 0, 144, 144, 0, 9, 32, 136, 0, 139, 187, 11, 136, 187, 184, 0, 74, 176,  
0, 0, 0, 0, 128, 150, 36, 184, 139, 136, 4, 176, 0, 11, 0, 139, 8, 75, 64, 4,  
154, 152, 0, 4, 64, 0, 0, 0, 0, 152, 176, 0, 128, 152, 0, 146, 32, 185, 176, 11,  
137, 136, 211, 153, 68, 0, 34, 32, 186, 196, 64, 4, 72, 75, 43, 187, 180, 64, 146, 64,  
73, 184, 132, 186, 130, 24, 128, 8, 137, 184, 153, 68, 9, 70, 40, 8, 132, 176, 9, 136,  
132, 180, 132, 178, 155, 139, 132, 68, 155, 137, 172, 169, 152, 136, 176, 68, 11,  
187, 180, 5,  
41, 75, 4, 36, 54, 64, 176, 64, 176, 41, 153, 155, 75, 187, 168, 68, 190, 25, 189, 201,  
75, 128, 153, 136, 72, 34, 187, 8, 196, 144, 73, 169, 153, 153, 155, 132, 68, 68, 185,  
176,  
4, 8, 146, 194, 162, 162, 72, 156, 91, 132, 176, 128, 176, 11, 40, 184, 128, 9, 176,  
176,  
180, 73, 32, 187, 180, 187, 75, 180, 148, 73, 180, 178, 176, 72, 73, 154, 139, 68,  
176, 180,  
187, 9, 32, 9, 153, 137, 155, 176, 89, 137, 132, 155, 136, 152, 198, 153, 9, 165, 202,  
170,  
170, 170, 21, 64, 146, 40, 180, 73, 0, 36, 4, 0, 185, 64, 187, 187, 180, 187, 185, 185,

155, 2, 75, 11, 73, 169, 187, 159, 164, 74, 169, 68, 155, 187, 74, 187, 187, 43, 148,  
43,  
155, 0, 75, 191, 253, 43, 149, 84, 73, 191, 160, 4, 187, 187, 176, 64, 153, 185, 187,  
187,  
4, 11, 165, 68, 75, 73, 252, 153, 64, 187, 68, 166, 154, 255, 92, 246, 221, 111, 204,  
146,  
11, 8, 11, 0, 144, 128, 136, 186, 200, 128, 136, 139, 184, 187, 187, 8, 176, 128, 180,  
8,  
72, 0, 136, 2, 147, 128, 0, 180, 64, 136, 0, 178, 136, 184, 184, 137, 152, 128, 9, 184,  
0, 128, 128, 8, 139, 153, 146, 144, 0, 176, 9, 0, 0, 32, 136, 43, 2, 80, 75, 4,  
180, 187, 176, 187, 0, 0, 8, 0, 4, 187, 139, 9, 128, 68, 32, 185, 0, 184, 11, 184,  
136, 139, 74, 153, 4, 0, 66, 144, 128, 64, 72, 11, 11, 75, 187, 0, 73, 155, 180, 68,  
185, 128, 146, 153, 153, 137, 184, 9, 136, 9, 139, 11, 9, 152, 68, 187, 11, 187, 187,  
164,  
4, 11, 185, 178, 36, 180, 185, 180, 185, 73, 243, 201, 153, 139, 155, 11, 139, 0, 176,  
65,  
21, 148, 187, 11, 36, 4, 180, 0, 9, 34, 146, 32, 66, 75, 187, 153, 170, 73, 187, 153,  
144, 75, 152, 132, 185, 53, 152, 184, 245, 184, 10, 167, 40, 164, 155, 75, 0, 4, 146,  
184,  
68, 36, 137, 186, 239, 203, 130, 140, 88, 154, 41, 144, 187, 137, 130, 11, 139, 153,  
68, 146,  
75, 137, 64, 0, 187, 4, 36, 32, 0, 75, 139, 75, 176, 73, 185, 185, 140, 82, 66, 176,  
11, 139, 153, 73, 152, 148, 4, 73, 169, 152, 164, 184, 185, 9, 128, 139, 137, 170,  
204, 252,  
204, 170, 85, 148, 41, 8, 153, 146, 180, 21, 84, 187, 69, 20, 4, 187, 187, 187, 75,  
153,  
43, 178, 68, 9, 159, 59, 144, 157, 20, 185, 164, 180, 64, 185, 170, 187, 187, 75, 185,  
153,  
176, 8, 187, 187, 68, 187, 174, 82, 187, 191, 84, 187, 187, 187, 176, 8, 136, 148, 68,  
139,  
74, 0, 171, 75, 153, 187, 138, 153, 75, 75, 68, 68, 44, 126, 204, 243, 119, 237, 108,  
162,  
176, 0, 139, 0, 64, 8, 152, 143, 233, 187, 9, 184, 0, 176, 185, 8, 136, 158, 196, 0,

0, 8, 8, 81, 138, 136, 0, 8, 8, 0, 0, 8, 184, 0, 0, 8, 136, 0, 144, 11,  
0, 0, 0, 0, 128, 187, 4, 4, 0, 64, 4, 176, 11, 176, 8, 136, 0, 144, 128, 8,  
128, 187, 0, 184, 152, 184, 11, 4, 153, 184, 152, 128, 136, 185, 148, 0, 64, 11, 8, 11,  
72, 187, 9, 152, 187, 0, 11, 40, 128, 68, 64, 9, 187, 66, 187, 11, 9, 88, 176, 68,  
9, 128, 64, 4, 75, 4, 176, 8, 132, 128, 32, 0, 184, 136, 72, 187, 11, 187, 176, 11,  
8, 4, 68, 180, 68, 8, 8, 11, 152, 186, 202, 50, 156, 217, 136, 0, 139, 176, 64, 155,  
4, 187, 180, 68, 68, 180, 11, 0, 187, 180, 194, 40, 66, 68, 137, 194, 40, 73, 137, 164,  
68, 11, 73, 154, 75, 82, 171, 184, 148, 136, 66, 172, 171, 140, 169, 187, 176, 75, 12,  
171,  
180, 9, 153, 153, 254, 123, 201, 146, 73, 185, 242, 11, 152, 154, 187, 132, 155, 4,  
72, 185,  
187, 4, 4, 68, 156, 36, 75, 68, 36, 36, 178, 136, 64, 180, 184, 139, 166, 84, 64, 11,  
72, 153, 40, 90, 136, 203, 66, 9, 136, 255, 21, 0, 11, 153, 148, 148, 164, 95, 223,  
221,  
255, 202, 153, 152, 146, 75, 73, 128, 64, 64, 36, 146, 161, 66, 187, 148, 187, 75,  
187, 153,  
176, 180, 68, 9, 140, 201, 75, 178, 187, 155, 75, 187, 75, 75, 148, 11, 180, 75, 187,  
75,  
11, 185, 169, 11, 148, 146, 199, 210, 41, 187, 73, 180, 180, 180, 187, 9, 0, 0, 155,  
136,  
4, 153, 68, 187, 153, 41, 153, 137, 152, 187, 66, 66, 42, 255, 255, 222, 119, 126,  
108, 172,  
155, 184, 176, 184, 184, 8, 136, 138, 152, 176, 9, 0, 128, 32, 0, 186, 170, 172, 40,  
176,  
0, 0, 168, 64, 176, 139, 176, 0, 0, 0, 8, 70, 144, 137, 128, 148, 155, 187, 4, 187,  
136, 136, 0, 176, 8, 0, 4, 139, 0, 4, 11, 176, 11, 144, 8, 128, 188, 196, 4, 136,  
180, 178, 4, 153, 185, 128, 0, 180, 64, 72, 160, 75, 155, 0, 176, 0, 64, 0, 187, 187,  
9, 0, 68, 139, 176, 187, 8, 8, 8, 148, 11, 137, 154, 152, 11, 67, 64, 176, 0, 11,  
139, 128, 66, 155, 73, 64, 139, 136, 136, 153, 144, 0, 47, 128, 66, 75, 148, 11, 139,  
68,  
0, 148, 187, 72, 180, 184, 139, 176, 136, 34, 170, 18, 154, 242, 187, 8, 4, 68, 68, 75,  
75, 187, 176, 75, 139, 4, 11, 64, 68, 189, 50, 176, 4, 137, 152, 172, 184, 180, 98,  
244,

33, 66, 185, 152, 173, 41, 153, 168, 8, 139, 146, 68, 184, 191, 210, 187, 178, 187,  
73, 64,  
0, 68, 152, 76, 92, 202, 105, 73, 154, 186, 34, 137, 32, 68, 132, 140, 34, 11, 153, 40,  
152, 132, 68, 34, 173, 73, 11, 4, 193, 100, 170, 136, 187, 0, 187, 11, 2, 186, 0, 148,  
0, 153, 153, 170, 137, 75, 180, 73, 145, 238, 41, 139, 68, 40, 74, 58, 149, 173, 221,  
222,  
223, 202, 137, 152, 146, 68, 11, 153, 153, 101, 68, 4, 33, 68, 176, 186, 187, 176, 9,  
187,  
187, 180, 66, 185, 139, 185, 43, 155, 155, 176, 0, 187, 187, 9, 155, 181, 36, 68, 68,  
75,  
187, 11, 168, 137, 185, 185, 175, 90, 69, 187, 187, 185, 187, 180, 187, 11, 0, 128, 0,  
4,  
187, 85, 178, 11, 185, 66, 68, 153, 154, 146, 41, 149, 92, 204, 207, 231, 119, 119,  
223, 197,  
0, 128, 187, 128, 0, 139, 136, 139, 68, 184, 176, 128, 0, 75, 194, 45, 194, 36, 43,  
184,  
128, 0, 0, 11, 0, 128, 187, 0, 4, 0, 128, 128, 136, 176, 176, 194, 176, 11, 184, 184,  
136, 11, 64, 128, 136, 176, 0, 187, 0, 11, 0, 164, 139, 0, 128, 11, 5, 192, 11, 0,  
176, 180, 187, 139, 8, 136, 185, 144, 0, 185, 176, 184, 144, 8, 0, 0, 68, 184, 9, 0,  
152, 137, 64, 4, 180, 184, 11, 136, 9, 4, 1, 107, 66, 128, 153, 2, 64, 155, 185, 72,  
11, 64, 0, 11, 75, 0, 11, 184, 75, 32, 11, 4, 4, 180, 176, 68, 148, 128, 187, 64,  
8, 180, 187, 132, 180, 184, 176, 0, 132, 73, 148, 68, 139, 155, 11, 136, 136, 0, 176,  
180,  
187, 128, 187, 136, 144, 75, 180, 178, 4, 173, 106, 136, 128, 146, 171, 4, 72, 75, 9,  
33,  
194, 64, 178, 137, 34, 153, 11, 144, 185, 187, 152, 187, 132, 10, 89, 73, 153, 187,  
10, 8,  
68, 68, 75, 138, 42, 164, 75, 162, 0, 185, 43, 65, 84, 0, 9, 153, 81, 18, 173, 217,  
155, 180, 66, 89, 132, 144, 75, 11, 241, 106, 170, 137, 155, 148, 11, 185, 64, 8, 187,  
20,  
64, 180, 139, 139, 66, 5, 84, 66, 66, 197, 153, 139, 180, 152, 137, 250, 172, 253,  
222, 237,



223, 201, 169, 152, 180, 41, 0, 152, 155, 89, 148, 132, 82, 73, 11, 153, 187, 74, 185,  
185,  
155, 176, 180, 34, 11, 185, 152, 128, 176, 4, 176, 180, 153, 10, 155, 146, 36, 36,  
187, 162,  
187, 73, 152, 145, 164, 68, 186, 37, 34, 180, 155, 187, 148, 68, 68, 4, 4, 0, 2, 2,  
180, 249, 68, 180, 73, 73, 68, 9, 153, 153, 75, 185, 185, 172, 172, 254, 119, 125,  
252, 89,  
152, 136, 184, 64, 136, 132, 184, 136, 176, 139, 68, 184, 9, 44, 196, 162, 165, 185,  
155, 176,  
0, 128, 0, 128, 0, 184, 0, 66, 68, 187, 128, 11, 136, 176, 139, 128, 139, 139, 69, 128,  
137, 0, 0, 0, 0, 144, 0, 0, 4, 72, 132, 185, 139, 0, 144, 0, 136, 155, 144, 11,  
8, 128, 11, 75, 0, 73, 11, 132, 32, 4, 140, 26, 136, 8, 0, 136, 184, 128, 0, 0,  
136, 152, 176, 8, 11, 176, 0, 128, 0, 0, 2, 91, 11, 11, 36, 68, 64, 152, 139, 153,  
187, 0, 73, 36, 184, 139, 148, 176, 180, 0, 68, 75, 0, 4, 11, 4, 64, 155, 64, 0,  
8, 187, 187, 176, 187, 8, 187, 11, 132, 139, 75, 176, 11, 176, 32, 136, 128, 187, 180,  
155,  
66, 75, 180, 136, 148, 64, 180, 68, 11, 34, 40, 136, 184, 137, 32, 11, 92, 250, 64,  
188,  
245, 180, 36, 74, 43, 155, 164, 176, 153, 41, 171, 136, 176, 2, 9, 75, 185, 155, 132,  
185,  
2, 155, 37, 194, 156, 105, 91, 186, 187, 41, 132, 2, 82, 66, 41, 184, 34, 242, 99, 234,  
139, 132, 75, 75, 176, 137, 4, 187, 38, 172, 169, 152, 36, 155, 43, 11, 176, 8, 152,  
36,  
68, 4, 144, 187, 75, 68, 36, 66, 41, 153, 169, 153, 68, 139, 137, 154, 172, 253, 119,  
238,  
239, 202, 169, 136, 176, 187, 153, 153, 155, 180, 145, 27, 72, 187, 185, 180, 180,  
153, 162, 180,  
155, 11, 180, 178, 81, 75, 152, 187, 187, 145, 187, 185, 153, 75, 75, 68, 180, 187,  
155, 209,  
68, 155, 155, 42, 187, 82, 185, 155, 68, 187, 155, 187, 153, 68, 68, 176, 8, 128, 66,  
137,  
181, 203, 75, 153, 68, 187, 68, 187, 154, 24, 185, 169, 180, 161, 90, 205, 238, 237,  
202, 169,

64, 128, 8, 144, 136, 178, 73, 136, 0, 136, 0, 187, 4, 198, 202, 153, 185, 180, 152,  
136,  
0, 128, 0, 8, 8, 128, 9, 156, 171, 187, 0, 144, 64, 0, 139, 128, 11, 128, 0, 8,  
11, 0, 0, 136, 8, 0, 11, 0, 72, 187, 128, 11, 184, 144, 139, 73, 128, 128, 0, 144,  
8, 0, 128, 64, 0, 11, 187, 0, 0, 0, 130, 152, 136, 137, 136, 184, 136, 128, 187, 176,  
132, 8, 11, 11, 128, 11, 11, 0, 0, 128, 0, 176, 148, 4, 0, 64, 8, 152, 4, 153,  
73, 139, 64, 11, 153, 148, 180, 180, 68, 8, 178, 128, 0, 11, 137, 176, 176, 180, 69,  
68,  
0, 180, 75, 184, 176, 9, 0, 73, 144, 187, 178, 185, 176, 191, 152, 187, 144, 0, 180,  
43,  
92, 187, 75, 180, 176, 11, 180, 64, 0, 255, 148, 128, 8, 137, 11, 181, 70, 53, 75, 157,  
122, 18, 84, 76, 47, 152, 162, 9, 152, 156, 201, 187, 11, 176, 144, 36, 72, 68, 9, 76,  
32, 187, 15, 210, 159, 226, 100, 154, 0, 204, 64, 176, 68, 66, 43, 187, 187, 73, 42,  
168,  
187, 180, 34, 43, 176, 185, 11, 178, 76, 207, 170, 138, 136, 146, 68, 176, 155, 40,  
153, 146,  
84, 68, 0, 4, 176, 11, 4, 66, 68, 180, 153, 153, 84, 187, 154, 66, 204, 222, 119, 126,  
220, 170, 169, 136, 11, 153, 242, 172, 84, 128, 159, 106, 89, 187, 187, 176, 180, 89,  
214, 148,  
75, 139, 185, 73, 175, 202, 153, 178, 73, 159, 155, 68, 153, 75, 148, 68, 187, 171,  
180, 66,  
41, 164, 155, 185, 187, 180, 185, 185, 187, 180, 75, 178, 171, 187, 153, 0, 8, 130,  
187, 144,  
133, 26, 26, 155, 187, 180, 9, 153, 5, 240, 155, 148, 66, 42, 170, 207, 221, 108, 202,  
32,  
184, 136, 152, 128, 176, 0, 8, 144, 187, 11, 0, 8, 185, 42, 170, 201, 75, 72, 137, 128,  
128, 0, 8, 0, 0, 4, 155, 191, 27, 180, 180, 0, 0, 64, 176, 0, 0, 0, 0, 64,  
184, 8, 128, 136, 8, 184, 176, 0, 0, 11, 0, 184, 11, 0, 139, 8, 0, 176, 9, 104,  
8, 152, 187, 11, 136, 144, 75, 36, 0, 0, 11, 180, 132, 157, 152, 176, 136, 8, 187, 11,  
11, 139, 176, 8, 0, 136, 176, 184, 136, 148, 0, 152, 75, 0, 139, 176, 11, 132, 0, 184,  
186, 43, 68, 64, 139, 185, 136, 178, 187, 136, 137, 153, 187, 152, 136, 180, 64, 0,  
66, 68,  
184, 11, 75, 153, 187, 184, 8, 9, 68, 171, 73, 185, 136, 1, 40, 0, 4, 0, 11, 139,

194, 187, 176, 11, 139, 2, 68, 196, 153, 61, 155, 128, 137, 152, 75, 149, 10, 137,  
153, 76,  
250, 36, 64, 9, 167, 201, 148, 185, 136, 137, 218, 144, 178, 36, 64, 64, 128, 32, 0,  
38,  
68, 64, 146, 32, 154, 153, 36, 137, 75, 222, 68, 148, 180, 4, 91, 136, 155, 66, 34,  
178,  
91, 0, 180, 34, 74, 171, 180, 132, 138, 202, 169, 137, 184, 41, 155, 184, 137, 184,  
137, 9,  
50, 148, 0, 0, 11, 176, 64, 68, 68, 11, 155, 184, 68, 185, 155, 85, 172, 222, 231, 237,  
252, 170, 153, 169, 187, 152, 91, 153, 146, 41, 154, 217, 64, 68, 187, 68, 157, 213,  
230, 185,  
176, 8, 187, 187, 66, 57, 186, 187, 185, 155, 11, 185, 187, 185, 148, 187, 187, 64,  
187, 153,  
188, 50, 66, 185, 64, 187, 73, 155, 187, 75, 187, 74, 171, 146, 187, 0, 152, 181, 155,  
176,  
11, 170, 219, 155, 178, 245, 11, 75, 185, 187, 180, 148, 148, 41, 154, 172, 198, 90,  
223, 91,  
64, 136, 0, 8, 144, 8, 128, 187, 176, 11, 0, 187, 42, 37, 170, 204, 136, 139, 136, 139,  
184, 0, 0, 0, 8, 136, 0, 179, 219, 180, 132, 0, 10, 144, 176, 32, 139, 4, 184, 75,  
0, 144, 152, 176, 137, 144, 128, 9, 84, 0, 4, 8, 4, 0, 176, 11, 11, 144, 9, 160,  
8, 139, 0, 138, 4, 146, 185, 180, 64, 0, 0, 0, 134, 154, 41, 152, 72, 8, 128, 0,  
185, 152, 0, 72, 8, 128, 0, 11, 136, 75, 128, 11, 75, 153, 136, 128, 137, 153, 75, 73,  
165, 139, 0, 8, 137, 73, 72, 139, 185, 139, 185, 153, 138, 152, 148, 128, 4, 75, 0, 75,  
153, 187, 9, 249, 152, 128, 176, 187, 184, 194, 75, 153, 155, 11, 11, 128, 66, 11,  
139, 176,  
187, 187, 4, 187, 75, 153, 154, 239, 176, 170, 153, 4, 180, 0, 72, 139, 41, 136, 185,  
152,  
43, 75, 176, 10, 170, 168, 139, 184, 132, 170, 132, 148, 191, 244, 132, 4, 4, 180,  
184, 68,  
66, 2, 137, 146, 148, 184, 64, 72, 75, 170, 153, 155, 136, 148, 34, 32, 176, 68, 171,  
73,  
75, 64, 75, 85, 146, 178, 75, 187, 175, 169, 152, 148, 149, 40, 187, 155, 130, 153,  
184, 41,

153, 153, 72, 11, 11, 180, 0, 4, 187, 75, 66, 137, 178, 136, 148, 194, 207, 237, 237,  
221,  
252, 170, 246, 202, 155, 37, 153, 73, 155, 137, 137, 68, 4, 155, 187, 180, 163, 170,  
84, 187,  
176, 144, 0, 180, 146, 153, 154, 171, 11, 0, 180, 75, 187, 2, 180, 180, 4, 43, 155,  
155,  
154, 245, 153, 66, 187, 66, 187, 186, 187, 187, 187, 146, 186, 169, 171, 176, 144, 0,  
187, 32,  
8, 98, 41, 187, 185, 171, 187, 187, 154, 187, 185, 180, 148, 75, 73, 169, 175, 170,  
162, 66,  
144, 11, 144, 176, 11, 11, 64, 8, 186, 148, 8, 137, 2, 172, 204, 204, 168, 153, 152,  
176,  
185, 0, 176, 8, 144, 136, 155, 185, 9, 176, 187, 176, 0, 8, 9, 64, 11, 9, 137, 11,  
75, 144, 0, 64, 11, 0, 75, 8, 176, 0, 144, 0, 0, 128, 184, 4, 0, 11, 180, 0,  
0, 184, 128, 176, 0, 0, 8, 0, 4, 72, 8, 11, 66, 175, 66, 43, 185, 8, 152, 8,  
156, 144, 139, 187, 155, 176, 128, 72, 136, 75, 11, 2, 176, 75, 153, 169, 73, 43, 0,  
132,  
152, 176, 0, 137, 144, 184, 153, 184, 184, 176, 72, 137, 137, 137, 152, 20, 75, 0, 68,  
68,  
184, 132, 64, 187, 137, 137, 184, 153, 185, 43, 184, 72, 139, 176, 144, 137, 64, 8,  
176, 128,  
185, 0, 5, 64, 128, 4, 68, 22, 180, 41, 132, 68, 8, 0, 185, 128, 72, 139, 184, 153,  
75, 181, 0, 0, 153, 137, 130, 128, 4, 152, 152, 68, 8, 10, 244, 64, 0, 152, 184, 68,  
64, 0, 73, 198, 68, 89, 73, 149, 68, 138, 136, 176, 184, 153, 188, 16, 36, 11, 178, 91,  
185, 66, 155, 155, 128, 69, 64, 11, 243, 43, 155, 137, 41, 241, 176, 136, 73, 148, 0,  
75,  
180, 153, 185, 64, 139, 4, 68, 0, 148, 64, 68, 187, 184, 139, 130, 54, 207, 221, 221,  
223,  
170, 170, 173, 202, 180, 69, 97, 152, 180, 40, 176, 0, 4, 73, 180, 155, 146, 32, 187,  
180,  
155, 185, 144, 153, 153, 153, 185, 64, 11, 185, 144, 11, 187, 11, 187, 0, 11, 153, 4,  
73,

165, 74, 10, 68, 36, 148, 11, 180, 187, 180, 0, 146, 184, 139, 75, 176, 148, 11, 75,  
152,  
11, 154, 139, 146, 153, 180, 75, 11, 42, 153, 187, 9, 164, 180, 68, 42, 156, 41, 154,  
163,  
11, 11, 136, 0, 176, 152, 0, 136, 141, 202, 0, 8, 132, 204, 156, 202, 170, 168, 152, 0,  
11, 0, 0, 11, 136, 8, 11, 0, 0, 0, 187, 4, 153, 155, 137, 184, 185, 152, 132, 11,  
128, 128, 128, 72, 0, 0, 0, 128, 0, 11, 148, 187, 0, 185, 73, 128, 4, 187, 187, 128,  
11, 176, 139, 184, 11, 0, 9, 128, 64, 0, 128, 0, 136, 130, 139, 176, 187, 136, 136,  
139,  
156, 8, 128, 0, 176, 9, 0, 185, 187, 9, 136, 136, 187, 34, 132, 84, 64, 0, 136, 178,  
27, 139, 176, 8, 168, 72, 152, 139, 43, 136, 10, 136, 137, 138, 137, 36, 4, 75, 68, 11,  
64, 11, 0, 128, 155, 137, 11, 168, 137, 137, 9, 187, 176, 64, 136, 139, 36, 152, 4,  
184,  
144, 68, 132, 64, 185, 153, 153, 164, 9, 153, 136, 128, 4, 128, 165, 0, 43, 180, 176,  
132,  
0, 175, 176, 187, 152, 187, 75, 176, 8, 130, 180, 32, 181, 2, 242, 75, 144, 73, 152,  
73,  
0, 75, 11, 42, 68, 98, 136, 188, 82, 72, 130, 0, 8, 178, 68, 176, 68, 73, 73, 89,  
66, 36, 37, 128, 144, 0, 144, 11, 146, 185, 68, 164, 132, 146, 180, 132, 155, 0, 9,  
178,  
153, 221, 144, 153, 168, 66, 155, 73, 132, 187, 75, 139, 153, 187, 2, 90, 204, 253,  
239, 250,  
170, 152, 159, 169, 155, 180, 73, 169, 178, 37, 241, 155, 178, 66, 229, 185, 162,  
148, 155, 185,  
155, 153, 128, 181, 155, 187, 11, 187, 89, 153, 11, 176, 153, 153, 149, 80, 4, 252,  
148, 153,  
85, 69, 199, 36, 42, 155, 187, 187, 153, 185, 180, 74, 187, 187, 75, 187, 169, 75, 41,  
147,  
169, 169, 139, 4, 75, 185, 155, 139, 75, 153, 144, 180, 75, 154, 148, 68, 149, 153,  
36, 172,  
8, 0, 8, 184, 11, 60, 64, 0, 2, 136, 11, 136, 152, 204, 172, 252, 170, 168, 136, 144,  
4, 0, 8, 0, 0, 8, 0, 0, 11, 176, 176, 0, 176, 184, 185, 136, 185, 8, 0, 0,

8, 187, 11, 187, 75, 176, 187, 139, 0, 72, 128, 11, 11, 176, 0, 144, 176, 187, 136,  
139,  
0, 0, 0, 0, 0, 73, 4, 64, 72, 184, 176, 144, 0, 128, 187, 64, 8, 128, 176, 9,  
0, 0, 184, 0, 176, 9, 187, 5, 84, 11, 136, 148, 4, 64, 187, 36, 0, 72, 128, 154,  
240, 75, 187, 180, 180, 152, 187, 148, 0, 185, 9, 137, 184, 136, 136, 68, 68, 0, 11,  
152,  
187, 155, 184, 11, 153, 148, 176, 181, 91, 72, 139, 64, 4, 36, 138, 137, 153, 144,  
187, 185,  
168, 132, 180, 144, 0, 137, 11, 176, 75, 72, 137, 36, 64, 176, 159, 64, 176, 4, 132, 0,  
176, 144, 11, 169, 153, 155, 64, 128, 11, 4, 180, 0, 86, 153, 68, 75, 153, 8, 154, 144,  
64, 128, 160, 36, 4, 36, 153, 86, 27, 73, 153, 68, 75, 68, 66, 42, 34, 43, 132, 68,  
82, 64, 36, 139, 2, 36, 136, 185, 180, 68, 34, 148, 153, 4, 0, 73, 187, 185, 176, 153,  
9, 221, 153, 148, 73, 154, 171, 186, 184, 178, 57, 64, 155, 8, 174, 194, 204, 255,  
221, 202,  
169, 152, 137, 152, 185, 75, 178, 249, 178, 138, 246, 176, 178, 164, 26, 180, 75,  
153, 187, 73,  
144, 11, 178, 178, 184, 187, 187, 9, 187, 153, 148, 188, 201, 169, 153, 64, 75, 162,  
64, 155,  
82, 169, 161, 164, 153, 153, 187, 187, 43, 155, 187, 180, 171, 75, 187, 186, 125,  
187, 170, 138,  
153, 136, 176, 185, 75, 75, 153, 139, 187, 68, 153, 178, 68, 148, 146, 41, 154, 36,  
75, 73,  
128, 128, 0, 187, 8, 136, 75, 0, 136, 128, 0, 137, 137, 175, 204, 170, 207, 168, 154,  
43,  
176, 4, 187, 11, 11, 9, 0, 8, 176, 0, 176, 128, 184, 184, 187, 0, 136, 0, 176, 136,  
128, 137, 80, 11, 0, 68, 176, 11, 11, 0, 178, 64, 11, 128, 139, 0, 128, 128, 136, 146,  
144, 0, 0, 176, 8, 184, 11, 67, 152, 139, 0, 0, 11, 9, 9, 180, 9, 169, 9, 75,  
176, 136, 176, 136, 128, 187, 184, 68, 75, 64, 136, 128, 176, 180, 164, 64, 0, 11, 4,  
153,  
72, 152, 64, 178, 187, 185, 187, 75, 11, 187, 204, 136, 137, 136, 130, 144, 176, 64,  
0, 178,  
153, 218, 155, 185, 153, 155, 176, 173, 217, 75, 75, 66, 73, 34, 40, 136, 42, 217,  
136, 184,

152, 152, 176, 148, 0, 65, 84, 0, 155, 187, 152, 148, 32, 4, 139, 176, 149, 4, 4, 144,  
176, 128, 8, 4, 73, 66, 153, 68, 33, 40, 4, 75, 154, 152, 187, 187, 153, 148, 137, 148,  
9, 132, 66, 152, 9, 148, 73, 170, 43, 187, 155, 64, 187, 186, 169, 148, 69, 72, 176,  
43,  
36, 0, 171, 187, 153, 153, 153, 68, 187, 34, 187, 181, 68, 2, 68, 73, 64, 187, 0, 176,  
153, 41, 41, 184, 137, 154, 169, 153, 144, 37, 100, 85, 155, 176, 156, 34, 154, 172,  
221, 169,  
169, 168, 137, 185, 185, 149, 153, 84, 75, 180, 43, 144, 186, 229, 180, 4, 155, 185,  
75, 75,  
0, 0, 187, 187, 0, 187, 180, 0, 187, 198, 153, 6, 218, 43, 136, 4, 180, 68, 187, 187,  
180, 169, 185, 17, 73, 170, 36, 187, 153, 194, 180, 75, 155, 68, 68, 154, 239, 155,  
185, 148,  
27, 153, 155, 153, 187, 64, 185, 187, 68, 73, 153, 154, 153, 41, 162, 42, 149, 153,  
148, 180,  
8, 0, 184, 0, 8, 144, 11, 0, 128, 176, 8, 11, 180, 175, 255, 172, 250, 136, 146, 187,  
75, 8, 0, 128, 136, 128, 8, 11, 176, 0, 128, 0, 11, 184, 0, 128, 136, 0, 0, 128,  
0, 137, 32, 128, 176, 176, 180, 72, 0, 128, 11, 0, 176, 0, 171, 0, 136, 184, 139, 8,  
176, 4, 4, 8, 11, 136, 176, 178, 185, 176, 8, 64, 0, 128, 11, 0, 185, 36, 139, 0,  
139, 8, 180, 153, 152, 0, 0, 0, 0, 73, 184, 180, 180, 180, 4, 68, 4, 187, 187, 152,  
180, 152, 187, 178, 148, 4, 180, 11, 187, 11, 92, 153, 136, 153, 139, 180, 184, 64,  
180, 68,  
138, 60, 43, 187, 153, 136, 152, 10, 32, 155, 176, 66, 148, 4, 64, 136, 42, 58, 187,  
180,  
176, 137, 180, 64, 176, 146, 2, 155, 73, 185, 155, 68, 64, 152, 187, 36, 148, 68, 0,  
128,  
148, 164, 180, 148, 34, 70, 80, 15, 60, 155, 0, 64, 42, 137, 185, 155, 137, 153, 184,  
132,  
72, 176, 66, 32, 140, 98, 64, 148, 144, 11, 180, 43, 9, 184, 245, 36, 73, 10, 41, 75,  
64, 75, 144, 185, 137, 91, 187, 184, 144, 4, 180, 5, 68, 180, 153, 146, 66, 137, 139,  
10,  
36, 32, 41, 155, 169, 77, 234, 152, 64, 68, 37, 145, 144, 155, 148, 68, 153, 153, 153,  
152,  
169, 152, 153, 148, 68, 155, 139, 75, 176, 36, 36, 8, 9, 84, 76, 168, 68, 2, 75, 176,

128, 176, 9, 187, 187, 176, 185, 187, 187, 186, 155, 185, 153, 155, 148, 187, 187,  
68, 187, 187,  
185, 155, 178, 211, 90, 61, 57, 187, 73, 89, 187, 68, 75, 187, 187, 153, 153, 187,  
153, 169,  
80, 153, 139, 187, 11, 187, 187, 187, 75, 185, 148, 163, 34, 73, 68, 73, 149, 155, 68,  
73,  
0, 0, 0, 136, 0, 0, 0, 128, 0, 8, 139, 11, 185, 170, 172, 170, 169, 136, 139, 187,  
152, 139, 11, 0, 128, 11, 137, 185, 36, 0, 0, 0, 164, 176, 0, 0, 8, 0, 0, 132,  
11, 72, 0, 187, 176, 187, 68, 0, 0, 136, 8, 0, 152, 0, 184, 0, 0, 144, 139, 8,  
176, 0, 176, 0, 0, 8, 11, 0, 153, 136, 0, 144, 0, 8, 176, 11, 139, 64, 187, 11,  
9, 176, 11, 153, 176, 64, 68, 152, 0, 11, 187, 11, 132, 4, 0, 176, 0, 136, 152, 169,  
138, 187, 184, 132, 180, 64, 4, 0, 176, 11, 140, 153, 152, 184, 136, 4, 155, 4, 9, 187,  
139, 153, 68, 186, 169, 137, 169, 144, 11, 155, 144, 4, 187, 73, 176, 132, 8, 164,  
137, 73,  
187, 136, 177, 36, 155, 155, 176, 68, 138, 132, 139, 36, 68, 36, 184, 11, 176, 176,  
176, 8,  
180, 66, 184, 4, 180, 90, 64, 143, 58, 130, 4, 68, 84, 152, 184, 153, 187, 66, 187, 73,  
73, 180, 90, 139, 150, 116, 0, 198, 148, 11, 137, 64, 73, 198, 66, 68, 34, 4, 64, 187,  
36, 137, 75, 75, 153, 171, 155, 185, 187, 187, 185, 185, 11, 4, 153, 154, 164, 153,  
176, 4,  
0, 75, 155, 137, 82, 159, 212, 154, 75, 66, 198, 139, 187, 75, 180, 9, 153, 153, 169,  
168,  
152, 137, 137, 184, 185, 187, 75, 69, 176, 75, 68, 136, 8, 72, 74, 80, 34, 66, 155, 73,  
184, 0, 9, 187, 187, 11, 155, 187, 176, 2, 185, 187, 154, 79, 59, 11, 84, 185, 75, 11,  
187, 187, 148, 81, 155, 81, 105, 74, 66, 43, 180, 75, 187, 155, 169, 153, 73, 27, 9,  
153,  
9, 220, 187, 187, 187, 180, 185, 187, 180, 180, 75, 170, 36, 153, 68, 68, 154, 148,  
187, 68,  
136, 136, 139, 185, 11, 0, 136, 8, 0, 0, 139, 0, 153, 153, 185, 136, 137, 137, 11, 0,  
184, 136, 8, 176, 0, 128, 128, 136, 180, 0, 0, 8, 11, 185, 68, 0, 128, 0, 139, 0,  
0, 139, 152, 136, 176, 73, 68, 0, 9, 0, 136, 75, 155, 187, 155, 128, 184, 128, 176,  
136,  
184, 75, 11, 0, 4, 0, 8, 11, 138, 168, 139, 64, 11, 128, 128, 0, 75, 0, 11, 11,



187, 176, 64, 75, 137, 9, 176, 137, 64, 139, 176, 187, 176, 69, 203, 176, 0, 148, 73,  
169,  
146, 128, 184, 187, 139, 73, 180, 180, 176, 43, 156, 136, 155, 9, 136, 184, 184, 11,  
184, 184,  
136, 155, 11, 137, 153, 139, 132, 152, 176, 176, 176, 185, 76, 36, 0, 11, 9, 68, 155,  
169,  
155, 139, 146, 32, 187, 187, 73, 8, 153, 155, 176, 32, 64, 68, 184, 139, 180, 64, 9,  
68,  
8, 180, 9, 64, 148, 4, 168, 185, 153, 152, 128, 187, 68, 180, 137, 155, 68, 180, 43,  
64,  
176, 189, 88, 180, 138, 36, 180, 148, 36, 132, 136, 187, 154, 42, 180, 66, 68, 66, 2,  
0,  
187, 36, 43, 0, 4, 11, 176, 11, 187, 144, 187, 176, 4, 178, 154, 205, 249, 153, 72, 37,  
37, 132, 184, 153, 137, 41, 148, 146, 66, 154, 74, 146, 155, 184, 130, 146, 146, 185,  
106, 169,  
153, 152, 155, 187, 4, 0, 68, 188, 68, 75, 187, 0, 178, 73, 42, 0, 68, 68, 75, 187,  
187, 11, 154, 187, 75, 155, 153, 73, 155, 0, 158, 249, 154, 154, 196, 9, 155, 74, 91,  
180,  
187, 187, 43, 153, 75, 153, 187, 155, 180, 75, 187, 180, 185, 146, 58, 155, 178, 203,  
176, 128,  
73, 220, 187, 187, 180, 41, 187, 180, 153, 155, 68, 185, 89, 169, 203, 68, 154, 68,  
155, 73,  
128, 136, 8, 166, 128, 0, 128, 0, 128, 184, 184, 0, 8, 10, 169, 153, 184, 136, 11, 184,  
0, 155, 176, 128, 0, 8, 152, 8, 0, 0, 176, 0, 150, 8, 0, 11, 128, 0, 0, 0,  
184, 176, 106, 155, 128, 0, 4, 11, 132, 9, 0, 8, 155, 11, 0, 0, 0, 187, 8, 176,  
0, 132, 64, 0, 64, 8, 0, 132, 159, 236, 168, 128, 68, 144, 176, 11, 187, 0, 0, 187,  
181, 64, 184, 105, 153, 68, 139, 128, 11, 0, 11, 11, 155, 34, 43, 187, 0, 164, 153,  
169,  
130, 139, 4, 184, 184, 153, 180, 136, 180, 146, 156, 168, 137, 72, 136, 153, 187,  
136, 8, 4,  
153, 144, 137, 153, 139, 136, 73, 185, 148, 187, 176, 9, 145, 36, 136, 176, 43, 146,  
159, 234,  
153, 152, 137, 68, 8, 128, 132, 148, 137, 152, 176, 68, 154, 80, 9, 137, 149, 4, 2, 32,

0, 64, 4, 43, 152, 11, 128, 4, 152, 137, 137, 0, 68, 18, 73, 4, 155, 68, 176, 68,  
187, 44, 68, 36, 185, 185, 64, 9, 75, 139, 139, 137, 199, 148, 148, 5, 81, 68, 4, 11,  
186, 50, 37, 64, 64, 0, 187, 0, 9, 66, 152, 184, 9, 41, 154, 215, 234, 169, 132, 37,  
81, 73, 72, 137, 137, 146, 148, 187, 81, 152, 34, 153, 187, 42, 155, 153, 165, 74,  
169, 154,  
168, 154, 75, 202, 181, 64, 64, 66, 73, 187, 9, 185, 26, 73, 193, 184, 2, 84, 180, 187,  
185, 187, 148, 187, 185, 187, 36, 185, 148, 8, 188, 82, 75, 185, 180, 184, 155, 75,  
187, 148,  
185, 73, 185, 180, 180, 185, 187, 148, 74, 153, 180, 153, 75, 146, 41, 75, 153, 169,  
154, 0,  
187, 169, 164, 180, 43, 153, 73, 155, 148, 180, 153, 154, 18, 172, 105, 162, 154,  
169, 155, 153,  
180, 139, 152, 185, 128, 75, 0, 72, 0, 176, 0, 11, 0, 154, 169, 132, 138, 187, 68, 128,  
0, 128, 0, 0, 9, 169, 128, 0, 0, 0, 144, 136, 11, 184, 139, 136, 139, 184, 0, 128,  
0, 0, 155, 187, 128, 4, 132, 155, 128, 8, 8, 9, 136, 72, 0, 0, 152, 187, 0, 0,  
128, 0, 187, 0, 9, 128, 11, 152, 174, 125, 169, 184, 73, 98, 0, 152, 176, 8, 139, 64,  
75, 100, 73, 242, 176, 11, 128, 137, 132, 176, 128, 0, 72, 11, 152, 64, 11, 176, 42,  
169,  
138, 155, 11, 184, 138, 180, 185, 153, 180, 43, 156, 169, 152, 185, 73, 130, 155,  
185, 176, 11,  
137, 136, 156, 154, 176, 136, 34, 180, 144, 155, 176, 136, 152, 153, 169, 41, 153,  
159, 157, 124,  
152, 132, 68, 66, 68, 0, 8, 185, 73, 137, 128, 73, 156, 20, 185, 148, 35, 36, 64, 64,  
8, 75, 20, 64, 128, 152, 128, 73, 152, 184, 137, 178, 68, 4, 187, 82, 74, 98, 4, 68,  
187, 66, 43, 68, 187, 136, 148, 187, 68, 75, 11, 184, 172, 72, 68, 68, 66, 68, 32, 4,  
68, 98, 81, 64, 11, 68, 176, 68, 153, 89, 0, 128, 144, 148, 154, 253, 202, 168, 132,  
68,  
64, 43, 66, 66, 43, 153, 155, 9, 73, 146, 37, 42, 68, 74, 153, 146, 74, 41, 170, 153,  
153, 128, 155, 252, 18, 64, 72, 148, 137, 75, 187, 178, 196, 144, 43, 11, 8, 138, 0, 0,  
91, 152, 148, 36, 187, 187, 41, 182, 81, 180, 73, 170, 176, 144, 11, 178, 43, 153,  
187, 187,  
155, 187, 11, 187, 185, 180, 180, 178, 169, 176, 11, 187, 73, 153, 148, 187, 155,  
153, 144, 0,

0, 184, 11, 178, 217, 153, 187, 187, 153, 187, 187, 169, 153, 146, 170, 153, 162, 73,  
42, 36,  
144, 128, 184, 136, 128, 0, 0, 176, 0, 0, 0, 72, 185, 10, 153, 153, 148, 184, 11, 139,  
0, 0, 8, 0, 8, 212, 0, 8, 128, 4, 0, 0, 11, 152, 8, 185, 139, 184, 184, 137,  
128, 144, 176, 187, 8, 11, 73, 160, 184, 0, 139, 0, 0, 176, 187, 0, 152, 11, 144, 128,  
0, 11, 136, 0, 0, 128, 152, 137, 156, 218, 137, 136, 180, 40, 136, 152, 152, 8, 136, 0,  
177, 89, 187, 75, 128, 128, 176, 11, 153, 11, 43, 180, 137, 152, 155, 180, 43, 187,  
73, 201,  
152, 154, 187, 75, 75, 187, 152, 152, 180, 187, 47, 169, 168, 153, 58, 130, 137, 184,  
139, 187,  
136, 137, 153, 40, 68, 72, 187, 9, 132, 139, 8, 9, 153, 176, 66, 128, 154, 153, 154,  
170,  
136, 132, 187, 68, 155, 185, 8, 64, 4, 152, 43, 42, 132, 4, 73, 137, 149, 64, 176, 8,  
0, 178, 169, 4, 4, 75, 11, 75, 137, 9, 40, 11, 8, 40, 0, 148, 136, 89, 4, 0,  
180, 64, 187, 75, 184, 152, 148, 139, 34, 9, 139, 187, 184, 139, 139, 176, 68, 0, 64,  
0,  
187, 36, 144, 64, 0, 64, 64, 181, 68, 101, 148, 128, 184, 4, 43, 172, 170, 168, 152,  
41,  
68, 68, 156, 152, 136, 37, 128, 4, 130, 0, 45, 58, 66, 171, 41, 75, 130, 154, 162, 153,  
169, 89, 180, 66, 85, 4, 11, 74, 57, 169, 176, 184, 8, 136, 153, 153, 169, 151, 249,  
68,  
128, 176, 187, 155, 187, 185, 68, 176, 36, 64, 180, 101, 75, 152, 152, 132, 73, 136,  
187, 170,  
11, 176, 2, 187, 187, 75, 185, 180, 34, 155, 11, 187, 11, 180, 187, 185, 185, 153,  
185, 144,  
184, 4, 139, 185, 41, 155, 187, 185, 185, 180, 187, 203, 153, 180, 155, 185, 76, 250,  
195, 155,  
152, 128, 0, 0, 184, 0, 8, 0, 176, 8, 128, 0, 128, 8, 8, 153, 169, 176, 155, 11,  
0, 8, 4, 8, 0, 128, 136, 136, 139, 4, 0, 8, 0, 0, 137, 152, 171, 8, 128, 8,  
4, 80, 0, 0, 0, 0, 155, 139, 8, 139, 13, 233, 0, 0, 0, 0, 128, 9, 0, 8,  
128, 0, 0, 0, 128, 8, 184, 136, 138, 170, 136, 136, 139, 160, 176, 9, 152, 0, 8, 75,  
4, 187, 187, 11, 176, 0, 8, 8, 8, 0, 187, 185, 185, 169, 139, 8, 153, 72, 154, 169,

136, 153, 185, 90, 169, 153, 153, 137, 137, 137, 175, 169, 152, 153, 171, 137, 40,  
153, 43, 9,  
152, 187, 136, 128, 11, 152, 0, 136, 137, 64, 11, 139, 184, 132, 187, 137, 170, 168,  
152, 153,  
136, 185, 171, 128, 152, 64, 176, 176, 11, 184, 11, 184, 153, 180, 75, 136, 180, 43,  
176, 8,  
155, 149, 148, 128, 4, 0, 184, 72, 176, 187, 136, 4, 185, 155, 128, 40, 64, 168, 68,  
73,  
44, 91, 75, 176, 137, 152, 68, 128, 68, 64, 43, 11, 85, 128, 180, 2, 68, 0, 0, 155,  
11, 66, 73, 64, 155, 66, 32, 154, 187, 36, 4, 8, 130, 180, 82, 154, 153, 152, 37, 68,  
0, 64, 36, 75, 204, 198, 144, 0, 169, 153, 79, 233, 162, 170, 169, 185, 153, 159, 169,  
138,  
169, 36, 5, 75, 68, 185, 187, 178, 202, 248, 148, 155, 2, 9, 136, 159, 122, 159, 165,  
152,  
11, 176, 0, 180, 176, 187, 155, 91, 68, 185, 68, 90, 155, 249, 128, 0, 176, 180, 185,  
153,  
176, 11, 4, 4, 187, 187, 73, 187, 146, 155, 187, 43, 185, 180, 75, 187, 185, 155, 8,  
137,  
153, 74, 144, 4, 185, 153, 180, 185, 11, 153, 187, 187, 180, 187, 176, 73, 76, 219,  
169, 156,  
149, 155, 0, 8, 128, 0, 128, 128, 0, 0, 128, 11, 11, 8, 146, 175, 124, 136, 152, 8,  
0, 0, 4, 128, 0, 136, 0, 128, 187, 0, 0, 187, 9, 80, 184, 128, 11, 176, 0, 0,  
75, 4, 0, 128, 11, 34, 11, 184, 0, 153, 159, 248, 0, 136, 128, 0, 176, 0, 128, 0,  
9, 128, 139, 212, 9, 136, 0, 184, 136, 152, 152, 152, 153, 176, 0, 8, 136, 136, 11, 75,  
64, 11, 187, 139, 136, 180, 187, 11, 64, 128, 0, 68, 186, 153, 43, 185, 88, 73, 154,  
201,  
153, 148, 185, 249, 136, 153, 153, 152, 153, 153, 159, 170, 169, 153, 152, 136, 153,  
136, 9, 2,  
128, 176, 72, 176, 187, 153, 4, 8, 136, 152, 4, 144, 9, 132, 75, 187, 247, 250, 130,  
137,  
139, 185, 128, 176, 73, 187, 0, 64, 2, 187, 0, 137, 155, 11, 176, 185, 64, 84, 34, 0,  
75, 189, 203, 8, 9, 0, 8, 144, 41, 32, 128, 11, 155, 144, 0, 72, 153, 36, 91, 11,  
99, 25, 43, 0, 184, 146, 173, 165, 11, 185, 152, 9, 99, 32, 66, 66, 36, 187, 187, 0,

0, 68, 148, 64, 75, 43, 64, 186, 146, 11, 2, 64, 153, 4, 36, 156, 72, 137, 155, 187,  
34, 73, 148, 153, 66, 34, 144, 184, 155, 144, 37, 89, 83, 25, 186, 152, 170, 172, 152,  
153,  
152, 153, 176, 187, 171, 181, 75, 137, 53, 148, 180, 128, 139, 184, 137, 159, 234,  
137, 144, 128,  
137, 187, 139, 184, 139, 187, 187, 155, 187, 155, 73, 185, 176, 153, 64, 128, 9, 0,  
176, 155,  
155, 187, 187, 180, 180, 180, 185, 176, 185, 153, 176, 75, 187, 187, 11, 180, 75,  
184, 8, 139,  
132, 138, 168, 155, 187, 187, 178, 176, 136, 155, 187, 187, 187, 68, 185, 185, 205,  
122, 153, 171,  
143, 169, 11, 139, 0, 8, 128, 8, 0, 168, 128, 0, 136, 155, 154, 159, 127, 136, 137,  
176,  
4, 0, 132, 132, 0, 0, 0, 184, 0, 0, 11, 144, 10, 91, 128, 11, 0, 128, 176, 136,  
0, 0, 0, 4, 11, 139, 161, 139, 8, 136, 132, 169, 176, 0, 0, 0, 0, 8, 8,  
8, 8, 180, 32, 9, 139, 136, 9, 136, 152, 137, 75, 36, 75, 176, 8, 139, 0, 155, 176,  
8, 0, 187, 11, 139, 176, 11, 73, 184, 184, 8, 180, 153, 136, 185, 138, 249, 73, 44,  
249,  
138, 137, 180, 169, 155, 136, 139, 185, 137, 153, 175, 170, 170, 153, 154, 169, 153,  
139, 187, 4,  
187, 153, 153, 187, 8, 153, 153, 132, 153, 136, 11, 11, 8, 75, 72, 180, 206, 249, 137,  
72,  
139, 155, 68, 4, 139, 11, 11, 155, 75, 68, 64, 148, 176, 180, 187, 9, 148, 187, 66, 0,  
152, 4, 75, 0, 185, 136, 136, 176, 4, 132, 192, 128, 139, 128, 152, 139, 132, 40, 11,  
73,  
149, 36, 176, 185, 68, 2, 215, 194, 148, 8, 187, 187, 82, 68, 32, 4, 68, 11, 176, 0,  
4, 185, 32, 68, 4, 16, 75, 184, 153, 176, 9, 84, 68, 185, 68, 65, 197, 153, 176, 64,  
146, 8, 128, 73, 72, 191, 36, 41, 153, 128, 68, 149, 188, 27, 64, 153, 154, 34, 73,  
152,  
153, 184, 187, 180, 210, 43, 136, 130, 82, 155, 186, 200, 41, 153, 148, 154, 175,  
128, 11, 8,  
64, 11, 246, 91, 128, 2, 64, 169, 153, 180, 187, 180, 128, 148, 75, 185, 11, 144, 155,  
139,

154, 155, 187, 66, 180, 75, 185, 0, 187, 43, 187, 11, 187, 187, 187, 75, 185, 180,  
187, 185,  
68, 73, 152, 11, 187, 180, 75, 187, 0, 11, 187, 187, 9, 187, 73, 153, 175, 234, 153,  
185,  
0, 176, 176, 187, 8, 8, 184, 187, 136, 137, 184, 0, 0, 128, 148, 154, 170, 136, 128, 8,  
4, 0, 11, 176, 0, 8, 0, 8, 0, 0, 11, 128, 128, 64, 11, 0, 128, 136, 184, 8,  
0, 0, 187, 185, 11, 0, 73, 155, 128, 137, 187, 75, 0, 0, 0, 0, 0, 11, 136, 11,  
0, 154, 187, 187, 128, 136, 4, 8, 136, 184, 184, 73, 11, 4, 128, 0, 11, 180, 0, 187,  
8, 0, 4, 184, 176, 0, 11, 252, 185, 132, 187, 137, 180, 187, 185, 155, 75, 73, 156,  
250,  
137, 153, 153, 153, 153, 137, 154, 169, 153, 170, 173, 170, 169, 170, 153, 153, 136,  
152, 11, 184,  
132, 180, 41, 146, 0, 137, 136, 4, 180, 178, 176, 136, 139, 155, 155, 185, 170, 168,  
132, 132,  
185, 68, 4, 9, 184, 137, 176, 144, 75, 187, 180, 139, 128, 187, 176, 129, 203, 8, 4, 4,  
64, 132, 11, 187, 75, 185, 168, 144, 180, 176, 148, 148, 80, 72, 73, 152, 132, 153,  
11, 137,  
184, 68, 180, 148, 8, 73, 170, 43, 34, 4, 0, 155, 68, 66, 68, 64, 68, 0, 0, 68,  
43, 10, 34, 11, 184, 0, 72, 0, 178, 132, 68, 80, 68, 146, 32, 137, 194, 188, 132, 152,  
180, 185, 128, 73, 75, 44, 176, 34, 128, 9, 73, 66, 43, 4, 187, 155, 153, 155, 153,  
171,  
138, 136, 128, 178, 73, 153, 139, 187, 185, 144, 186, 244, 73, 153, 73, 8, 149, 80,  
176, 136,  
0, 8, 41, 139, 139, 186, 27, 153, 187, 180, 36, 75, 75, 73, 146, 85, 187, 187, 128, 11,  
154, 180, 155, 68, 180, 187, 187, 0, 132, 36, 187, 11, 75, 187, 187, 75, 187, 187,  
180, 68,  
180, 41, 152, 4, 144, 180, 187, 155, 176, 176, 187, 187, 187, 75, 41, 146, 170, 169,  
185, 68,  
128, 11, 137, 8, 176, 8, 11, 164, 187, 176, 8, 0, 128, 0, 0, 153, 152, 152, 8, 0,  
75, 0, 0, 0, 0, 9, 0, 8, 72, 0, 0, 8, 136, 0, 11, 128, 128, 0, 128, 8,  
8, 0, 0, 64, 0, 0, 184, 72, 153, 136, 176, 0, 4, 176, 8, 0, 11, 184, 0, 0,  
176, 148, 184, 128, 8, 187, 0, 11, 155, 11, 4, 184, 4, 187, 128, 176, 176, 66, 155,  
180,

176, 11, 0, 11, 4, 139, 8, 37, 185, 128, 73, 185, 148, 187, 155, 153, 68, 73, 156, 249,  
137, 154, 153, 153, 137, 152, 168, 153, 169, 172, 207, 202, 170, 170, 154, 153, 154,  
24, 148, 146,  
148, 184, 74, 180, 75, 143, 40, 2, 66, 37, 72, 137, 0, 132, 128, 0, 137, 184, 137, 187,  
139, 180, 64, 11, 11, 153, 139, 8, 152, 187, 176, 176, 0, 0, 185, 11, 171, 176, 180, 4,  
68, 64, 11, 187, 153, 160, 152, 148, 176, 11, 8, 82, 68, 64, 74, 153, 128, 184, 153,  
155,  
148, 36, 68, 68, 0, 11, 66, 144, 132, 180, 0, 146, 66, 37, 64, 64, 66, 4, 68, 178,  
106, 144, 41, 176, 185, 138, 0, 185, 11, 148, 164, 11, 68, 66, 11, 187, 73, 185, 180,  
153,  
184, 155, 68, 73, 187, 137, 152, 144, 72, 148, 64, 75, 64, 68, 11, 9, 79, 168, 154,  
168,  
136, 136, 139, 180, 144, 185, 130, 176, 4, 144, 8, 148, 146, 180, 74, 75, 136, 8, 128,  
72,  
68, 155, 187, 75, 187, 187, 185, 187, 153, 137, 36, 64, 43, 9, 34, 255, 73, 164, 187,  
73,  
148, 64, 72, 180, 187, 75, 180, 0, 187, 75, 180, 187, 185, 155, 178, 75, 187, 148,  
155, 187,  
180, 73, 180, 75, 148, 185, 187, 155, 75, 180, 187, 176, 187, 187, 68, 153, 153, 153,  
153, 68,  
128, 176, 176, 0, 0, 4, 130, 96, 11, 4, 128, 155, 0, 0, 137, 136, 152, 176, 8, 0,  
4, 0, 11, 176, 8, 184, 66, 136, 0, 11, 128, 0, 128, 0, 187, 144, 8, 0, 139, 0,  
136, 176, 8, 0, 0, 4, 64, 11, 152, 136, 11, 75, 9, 187, 139, 176, 11, 11, 0, 137,  
169, 36, 139, 187, 152, 176, 75, 0, 4, 0, 2, 0, 0, 66, 176, 187, 144, 176, 68, 4,  
68, 187, 11, 64, 176, 176, 180, 153, 0, 185, 136, 137, 153, 11, 153, 154, 178, 74,  
156, 250,  
153, 155, 137, 153, 168, 137, 137, 170, 186, 170, 173, 202, 172, 170, 170, 170, 154,  
196, 75, 134,  
171, 187, 42, 169, 41, 158, 192, 145, 68, 36, 72, 128, 4, 11, 139, 139, 75, 11, 72,  
176,  
185, 146, 160, 64, 9, 241, 75, 11, 155, 11, 4, 0, 64, 187, 11, 0, 176, 64, 11, 64,  
176, 185, 128, 171, 0, 153, 152, 148, 64, 9, 0, 82, 66, 64, 184, 137, 155, 40, 25, 139,  
69, 68, 75, 0, 187, 187, 9, 136, 4, 20, 11, 137, 181, 176, 4, 64, 180, 68, 68, 0,

176, 9, 176, 139, 144, 185, 187, 153, 137, 185, 153, 155, 4, 180, 11, 68, 75, 132, 66,  
40,  
176, 153, 66, 21, 152, 166, 169, 155, 185, 155, 4, 0, 64, 4, 176, 137, 47, 40, 145,  
137,  
153, 137, 137, 155, 40, 66, 180, 184, 155, 75, 185, 172, 32, 9, 159, 84, 187, 184,  
152, 132,  
95, 171, 68, 153, 72, 155, 153, 74, 153, 155, 68, 153, 64, 47, 89, 170, 75, 242, 4,  
152,  
169, 176, 64, 4, 187, 187, 187, 187, 11, 187, 187, 187, 180, 187, 187, 0, 155, 84,  
187, 2,  
68, 73, 180, 68, 64, 11, 185, 187, 75, 187, 43, 187, 187, 187, 68, 75, 153, 153, 152,  
4,  
8, 8, 139, 144, 180, 11, 11, 128, 0, 176, 176, 187, 0, 0, 136, 136, 152, 176, 128, 139,  
144, 11, 0, 0, 137, 128, 188, 152, 184, 128, 8, 0, 0, 8, 139, 144, 136, 136, 75, 11,  
139, 8, 9, 153, 8, 0, 0, 144, 184, 184, 176, 0, 0, 139, 152, 139, 180, 11, 136, 185,  
218, 97, 8, 9, 253, 64, 0, 128, 137, 136, 0, 128, 9, 68, 8, 0, 8, 0, 11, 8,  
184, 0, 0, 64, 10, 160, 128, 176, 75, 136, 152, 184, 164, 187, 155, 180, 73, 162, 172,  
218,  
154, 168, 185, 154, 138, 153, 42, 170, 170, 172, 205, 204, 202, 170, 172, 170, 168,  
153, 153, 186,  
187, 138, 215, 250, 72, 178, 176, 5, 43, 252, 70, 192, 64, 184, 176, 11, 153, 187,  
187, 139,  
0, 73, 4, 32, 185, 72, 75, 0, 139, 0, 187, 36, 36, 187, 187, 176, 148, 101, 68, 68,  
187, 185, 185, 0, 187, 75, 153, 164, 144, 153, 137, 66, 148, 11, 41, 136, 130, 171,  
153, 132,  
0, 68, 64, 148, 64, 176, 68, 8, 66, 20, 64, 8, 66, 36, 64, 4, 68, 68, 0, 68,  
180, 0, 0, 69, 20, 153, 168, 137, 64, 180, 173, 217, 184, 180, 64, 128, 72, 171, 178,  
27,  
32, 202, 145, 117, 73, 173, 36, 152, 64, 130, 64, 76, 164, 9, 148, 185, 164, 137, 139,  
153,  
136, 153, 137, 130, 168, 128, 137, 72, 184, 148, 136, 177, 16, 75, 9, 136, 128, 187,  
136, 136,



152, 148, 185, 75, 9, 139, 185, 108, 153, 11, 149, 153, 64, 47, 169, 136, 187, 160, 2,  
153,  
155, 185, 185, 68, 187, 176, 75, 187, 187, 73, 187, 36, 148, 68, 150, 146, 185, 160,  
0, 4,  
64, 185, 154, 160, 187, 155, 185, 194, 43, 187, 187, 180, 187, 180, 187, 68, 153,  
169, 155, 187,  
139, 8, 0, 8, 0, 75, 128, 11, 187, 187, 0, 64, 136, 128, 8, 152, 9, 128, 11, 128,  
128, 4, 0, 0, 138, 128, 8, 136, 128, 0, 0, 0, 0, 0, 11, 139, 0, 4, 72, 136,  
187, 0, 9, 8, 128, 139, 0, 187, 9, 176, 180, 11, 0, 153, 11, 9, 176, 11, 8, 136,  
64, 139, 128, 4, 253, 64, 0, 176, 0, 0, 0, 130, 77, 16, 4, 32, 11, 128, 8, 155,  
11, 180, 187, 176, 12, 212, 11, 11, 187, 43, 154, 187, 152, 152, 136, 187, 34, 170,  
95, 250,  
169, 154, 41, 153, 152, 169, 170, 162, 90, 202, 205, 204, 202, 202, 172, 168, 152,  
154, 136, 153,  
152, 137, 215, 218, 155, 68, 0, 128, 137, 36, 137, 128, 68, 0, 0, 0, 184, 4, 187, 144,  
4, 11, 11, 68, 41, 68, 66, 0, 68, 32, 181, 84, 0, 180, 75, 2, 176, 82, 66, 180,  
68, 11, 187, 64, 180, 11, 184, 168, 155, 152, 128, 64, 144, 148, 144, 152, 130, 144,  
184, 176,  
68, 72, 176, 178, 187, 34, 68, 149, 68, 180, 64, 184, 138, 192, 144, 68, 68, 80, 66,  
82,  
181, 64, 11, 9, 0, 8, 153, 153, 68, 185, 157, 249, 152, 68, 0, 132, 153, 169, 180, 43,  
180, 73, 4, 82, 68, 153, 152, 172, 68, 148, 4, 191, 148, 68, 89, 4, 155, 137, 180, 137,  
153, 153, 154, 137, 152, 8, 136, 8, 40, 152, 187, 178, 64, 178, 72, 144, 180, 0, 136,  
152,  
40, 137, 148, 180, 152, 155, 155, 153, 185, 132, 157, 169, 185, 64, 138, 148, 68,  
185, 155, 169,  
155, 185, 4, 0, 187, 180, 68, 68, 68, 187, 187, 75, 66, 187, 5, 146, 156, 155, 185, 69,  
68, 73, 156, 91, 137, 198, 68, 154, 187, 75, 75, 187, 187, 187, 180, 187, 170, 153,  
153, 187,  
11, 146, 0, 8, 0, 185, 136, 139, 128, 0, 176, 176, 8, 11, 195, 174, 144, 8, 0, 184,  
8, 0, 9, 144, 136, 128, 9, 128, 176, 0, 0, 0, 4, 8, 139, 128, 9, 0, 128, 8,  
0, 128, 8, 184, 184, 176, 176, 182, 136, 176, 11, 11, 11, 176, 64, 184, 176, 11, 137,  
187,

8, 128, 8, 180, 153, 146, 176, 68, 128, 176, 0, 0, 34, 32, 176, 68, 180, 8, 128, 139,  
128, 8, 128, 0, 64, 64, 128, 0, 128, 153, 152, 153, 153, 139, 184, 146, 44, 42, 47, 97,  
92, 92, 170, 170, 169, 154, 170, 170, 172, 207, 206, 252, 204, 172, 170, 154, 169,  
137, 138, 153,  
137, 138, 205, 170, 152, 128, 184, 0, 9, 155, 75, 152, 130, 184, 0, 148, 75, 128, 132,  
176,  
68, 4, 153, 187, 176, 187, 68, 66, 68, 73, 8, 68, 73, 187, 176, 132, 4, 68, 185, 155,  
64, 176, 139, 4, 187, 184, 184, 152, 137, 37, 68, 136, 221, 130, 75, 139, 136, 4, 4, 4,  
153, 184, 11, 4, 187, 2, 73, 176, 187, 144, 139, 72, 155, 128, 64, 41, 169, 16, 2, 32,  
180, 64, 11, 144, 148, 180, 137, 66, 68, 68, 8, 153, 136, 144, 0, 176, 72, 137, 66,  
185,  
187, 146, 187, 36, 187, 153, 184, 185, 4, 81, 16, 185, 11, 65, 75, 75, 137, 184, 75,  
187,  
137, 137, 154, 152, 168, 136, 41, 4, 84, 9, 187, 130, 64, 68, 136, 72, 180, 9, 154,  
128,  
153, 136, 139, 148, 153, 153, 74, 50, 187, 144, 146, 148, 187, 185, 152, 187, 64,  
176, 64, 187,  
187, 11, 128, 187, 187, 180, 82, 4, 176, 75, 187, 180, 171, 43, 185, 68, 158, 82, 185,  
20,  
189, 25, 184, 139, 171, 74, 43, 155, 180, 75, 187, 187, 187, 75, 187, 68, 73, 156,  
105, 0,  
137, 184, 8, 0, 11, 73, 0, 184, 0, 0, 187, 0, 128, 176, 163, 205, 171, 8, 152, 11,  
176, 0, 0, 137, 137, 128, 8, 128, 8, 128, 128, 0, 128, 0, 128, 0, 128, 0, 136, 0,  
0, 128, 128, 36, 72, 176, 0, 152, 187, 9, 0, 75, 185, 139, 155, 75, 0, 187, 184, 0,  
152, 176, 8, 139, 139, 155, 187, 68, 0, 64, 4, 66, 64, 155, 0, 64, 0, 8, 184, 128,  
155, 187, 128, 11, 128, 75, 4, 184, 185, 139, 187, 184, 152, 137, 139, 73, 165, 172,  
95, 53,  
204, 197, 165, 42, 170, 154, 172, 170, 204, 255, 254, 255, 204, 202, 202, 169, 170,  
153, 153, 168,  
152, 137, 154, 152, 139, 64, 176, 11, 11, 4, 2, 0, 11, 180, 130, 132, 44, 168, 184,  
187,  
185, 139, 9, 74, 75, 0, 66, 33, 64, 75, 185, 155, 0, 64, 11, 139, 32, 64, 10, 148,  
11, 176, 176, 187, 43, 187, 187, 8, 187, 68, 73, 148, 85, 169, 180, 148, 2, 155, 64, 0,

185, 139, 4, 155, 64, 139, 36, 153, 155, 73, 139, 155, 10, 153, 180, 185, 152, 64, 64,  
11,  
180, 176, 11, 32, 185, 132, 187, 148, 73, 146, 72, 137, 184, 180, 128, 0, 0, 75, 4, 75,  
132, 155, 185, 82, 9, 41, 68, 185, 9, 34, 36, 152, 187, 68, 75, 128, 152, 75, 155, 139,  
153, 152, 169, 170, 169, 201, 43, 184, 0, 152, 184, 136, 187, 72, 153, 153, 185, 185,  
243, 89,  
154, 168, 148, 36, 139, 132, 180, 202, 187, 184, 66, 64, 176, 73, 137, 64, 0, 180,  
176, 176,  
75, 153, 73, 159, 64, 180, 68, 187, 64, 0, 185, 187, 187, 187, 178, 75, 2, 75, 153, 84,  
137, 43, 64, 11, 64, 4, 187, 187, 68, 187, 180, 187, 155, 73, 187, 66, 73, 153, 155,  
187,  
0, 9, 11, 0, 0, 2, 187, 0, 128, 0, 11, 184, 80, 184, 223, 154, 155, 64, 180, 0,  
34, 136, 11, 136, 152, 0, 11, 0, 176, 0, 0, 128, 0, 0, 0, 0, 8, 136, 11, 64,  
0, 0, 128, 72, 187, 0, 137, 128, 187, 128, 8, 11, 184, 128, 4, 11, 0, 128, 11, 8,  
136, 136, 136, 184, 176, 0, 128, 128, 0, 64, 132, 4, 64, 176, 75, 0, 176, 128, 187, 75,  
43, 4, 0, 187, 176, 0, 0, 128, 176, 4, 11, 184, 187, 75, 36, 34, 162, 92, 22, 49,  
31, 28, 21, 42, 170, 170, 172, 204, 207, 253, 222, 255, 252, 202, 172, 202, 170, 170,  
170, 153,  
136, 137, 154, 136, 128, 8, 64, 11, 144, 4, 148, 64, 180, 9, 176, 136, 199, 218, 137,  
75,  
4, 84, 138, 75, 187, 32, 64, 149, 73, 65, 96, 152, 148, 176, 184, 153, 176, 68, 185,  
66,  
64, 176, 176, 11, 4, 36, 187, 75, 128, 180, 66, 66, 159, 218, 152, 180, 155, 153, 139,  
68,  
153, 155, 11, 75, 8, 184, 187, 0, 132, 11, 9, 136, 159, 168, 155, 155, 136, 68, 68, 4,  
43, 187, 139, 4, 43, 0, 187, 153, 184, 180, 0, 40, 153, 137, 137, 180, 9, 4, 73, 36,  
9, 180, 66, 53, 66, 155, 68, 176, 187, 4, 9, 152, 155, 176, 43, 152, 152, 75, 155, 9,  
153, 153, 154, 156, 233, 153, 136, 148, 41, 185, 136, 136, 137, 152, 185, 152, 137,  
170, 47, 68,  
76, 244, 153, 154, 155, 139, 180, 155, 185, 68, 130, 68, 75, 148, 73, 187, 176, 152,  
11, 187,  
66, 213, 152, 176, 11, 9, 187, 73, 153, 176, 11, 0, 176, 187, 180, 11, 186, 75, 155,  
64,

4, 4, 8, 132, 139, 0, 0, 180, 148, 75, 155, 9, 57, 187, 42, 73, 185, 155, 155, 187,  
185, 187, 0, 136, 137, 11, 0, 144, 0, 0, 8, 4, 75, 9, 63, 144, 139, 187, 155, 137,  
197, 176, 8, 136, 136, 128, 0, 0, 0, 128, 0, 136, 128, 128, 137, 139, 8, 0, 187, 184,  
11, 0, 128, 136, 187, 4, 8, 10, 176, 139, 64, 184, 0, 0, 144, 136, 0, 144, 139, 136,  
136, 137, 139, 187, 0, 176, 176, 0, 75, 187, 64, 176, 11, 180, 180, 4, 182, 144, 64, 0,  
9, 8, 33, 72, 139, 0, 187, 11, 11, 180, 185, 184, 148, 153, 34, 34, 92, 193, 22, 54,  
111, 31, 97, 82, 170, 204, 204, 207, 255, 221, 222, 223, 252, 204, 204, 170, 170,  
153, 152, 152,  
137, 153, 136, 153, 8, 155, 0, 11, 180, 68, 64, 136, 176, 180, 146, 153, 175, 202,  
136, 152,  
9, 36, 185, 153, 180, 0, 75, 41, 134, 44, 240, 132, 11, 11, 73, 136, 155, 68, 47, 84,  
64, 9, 187, 72, 72, 11, 180, 148, 43, 64, 68, 68, 46, 114, 178, 153, 152, 136, 154,  
153,  
170, 75, 185, 75, 184, 75, 144, 180, 68, 4, 72, 187, 42, 152, 132, 139, 176, 2, 0, 75,  
185, 155, 155, 139, 41, 0, 184, 155, 73, 34, 4, 43, 153, 137, 130, 169, 148, 180, 8,  
176,  
0, 9, 33, 36, 4, 68, 132, 180, 8, 187, 187, 155, 128, 4, 137, 171, 137, 139, 184, 176,  
139, 153, 170, 170, 169, 170, 155, 186, 136, 180, 73, 153, 139, 8, 184, 137, 146,  
214, 153, 68,  
146, 185, 137, 173, 217, 136, 139, 153, 155, 68, 242, 68, 65, 162, 85, 187, 73, 64,  
136, 155,  
188, 84, 152, 4, 137, 0, 9, 73, 148, 169, 186, 75, 75, 181, 180, 186, 158, 244, 73,  
180,  
4, 4, 11, 180, 180, 185, 184, 148, 68, 153, 176, 185, 218, 155, 172, 155, 185, 187,  
148, 187,  
4, 148, 184, 136, 155, 0, 139, 0, 0, 0, 176, 0, 0, 9, 152, 187, 139, 0, 152, 149,  
194, 0, 136, 8, 155, 0, 75, 144, 0, 0, 0, 136, 0, 4, 0, 0, 11, 133, 80, 0,  
0, 79, 88, 128, 0, 11, 0, 179, 40, 64, 64, 8, 11, 136, 136, 137, 155, 155, 4, 185,  
153, 152, 139, 11, 11, 11, 0, 137, 132, 64, 68, 176, 187, 0, 4, 4, 143, 176, 0, 187,  
0, 8, 156, 184, 176, 4, 176, 9, 187, 72, 185, 75, 73, 36, 34, 42, 93, 31, 109, 231,  
230, 31, 97, 170, 204, 255, 204, 255, 253, 221, 238, 237, 223, 252, 204, 170, 170,  
153, 153, 137,

136, 136, 136, 132, 2, 41, 184, 138, 176, 73, 152, 184, 8, 132, 161, 155, 154, 170,  
153, 139,  
4, 180, 64, 73, 187, 180, 75, 185, 138, 160, 0, 72, 152, 41, 72, 152, 176, 75, 211, 84,  
4, 11, 11, 4, 137, 73, 146, 90, 89, 128, 180, 9, 156, 229, 136, 82, 148, 4, 68, 154,  
73, 9, 153, 144, 137, 43, 187, 136, 68, 132, 4, 9, 195, 152, 0, 11, 184, 64, 4, 184,  
184, 11, 153, 153, 28, 64, 68, 153, 153, 103, 91, 73, 73, 176, 137, 73, 148, 73, 0, 4,  
0, 2, 84, 0, 0, 73, 132, 176, 75, 155, 176, 0, 180, 187, 148, 66, 154, 184, 152, 153,  
144, 185, 169, 169, 153, 153, 165, 169, 153, 252, 185, 152, 144, 4, 11, 184, 137,  
173, 84, 75,  
64, 128, 138, 199, 122, 168, 41, 161, 184, 74, 36, 180, 70, 146, 17, 155, 33, 187,  
137, 187,  
79, 196, 136, 176, 139, 128, 9, 185, 144, 187, 187, 36, 11, 178, 155, 185, 149, 155,  
187, 187,  
176, 176, 139, 139, 187, 75, 139, 66, 75, 153, 185, 105, 148, 75, 11, 187, 185, 187,  
187, 187,  
185, 153, 9, 139, 128, 0, 0, 155, 0, 137, 0, 4, 75, 0, 136, 184, 136, 8, 139, 65,  
249, 0, 128, 0, 75, 128, 148, 144, 0, 136, 0, 8, 8, 128, 4, 144, 0, 68, 36, 152,  
4, 4, 15, 36, 64, 139, 11, 0, 128, 0, 4, 139, 8, 164, 137, 139, 180, 128, 9, 41,  
152, 136, 128, 176, 8, 64, 186, 201, 128, 64, 4, 187, 176, 11, 0, 32, 11, 8, 139, 176,  
0, 128, 4, 68, 4, 137, 0, 11, 41, 185, 139, 155, 146, 162, 85, 172, 195, 109, 99, 119,  
125, 97, 21, 197, 204, 204, 255, 255, 222, 238, 231, 238, 221, 223, 204, 170, 170,  
169, 153, 152,  
153, 132, 187, 11, 176, 11, 8, 184, 128, 130, 155, 8, 136, 155, 66, 187, 138, 153,  
136, 128,  
180, 180, 64, 4, 187, 176, 9, 184, 187, 64, 75, 128, 139, 184, 152, 153, 132, 2, 54,  
68,  
64, 187, 11, 68, 176, 170, 193, 111, 153, 180, 69, 168, 154, 84, 11, 101, 155, 130,  
68, 9,  
8, 152, 137, 139, 8, 0, 185, 144, 185, 132, 18, 136, 195, 155, 176, 187, 152, 0, 0, 82,  
0, 11, 152, 171, 146, 9, 75, 185, 153, 198, 88, 10, 168, 180, 155, 153, 4, 64, 68, 68,  
0, 153, 4, 0, 66, 36, 176, 64, 75, 64, 187, 139, 178, 64, 153, 9, 64, 136, 128, 66,  
0, 152, 152, 137, 152, 138, 236, 137, 138, 227, 43, 73, 84, 180, 68, 66, 185, 170,  
162, 34,

36, 68, 154, 173, 250, 136, 41, 222, 148, 11, 187, 68, 185, 146, 45, 196, 75, 187, 74,  
153,  
185, 36, 185, 9, 137, 136, 0, 66, 75, 187, 68, 185, 187, 187, 75, 178, 180, 155, 187,  
11,  
187, 68, 8, 187, 148, 187, 187, 187, 187, 187, 178, 217, 185, 176, 11, 9, 75, 176,  
187, 187,  
156, 152, 176, 0, 152, 128, 8, 187, 0, 176, 0, 176, 0, 8, 139, 4, 136, 153, 185, 198,  
203, 152, 0, 136, 184, 0, 180, 187, 152, 187, 0, 0, 0, 11, 11, 32, 0, 75, 0, 0,  
4, 184, 0, 187, 64, 0, 136, 0, 0, 11, 0, 176, 9, 152, 136, 155, 4, 132, 11, 9,  
137, 184, 176, 66, 75, 180, 158, 124, 164, 64, 4, 9, 72, 0, 4, 68, 64, 0, 9, 249,  
139, 4, 0, 144, 132, 136, 136, 180, 0, 184, 153, 139, 153, 130, 85, 207, 198, 102, 51,  
119,  
227, 17, 204, 17, 204, 204, 207, 221, 222, 231, 119, 119, 238, 223, 255, 170, 170,  
170, 169, 153,  
136, 152, 171, 187, 68, 184, 176, 8, 0, 185, 43, 155, 176, 132, 69, 64, 166, 72, 64,  
176,  
155, 185, 185, 72, 146, 36, 11, 0, 11, 187, 80, 176, 132, 68, 176, 137, 132, 74, 34,  
27,  
75, 187, 8, 187, 148, 198, 51, 51, 36, 187, 66, 155, 152, 148, 187, 153, 153, 148, 8,  
8,  
155, 152, 152, 136, 0, 9, 72, 64, 64, 132, 196, 137, 154, 146, 11, 72, 139, 176, 8,  
213,  
36, 9, 200, 153, 139, 176, 11, 75, 11, 66, 0, 154, 136, 43, 154, 153, 68, 66, 32, 0,  
187, 137, 0, 0, 139, 164, 4, 68, 185, 152, 185, 180, 130, 64, 153, 185, 41, 148, 165,  
178,  
11, 153, 152, 128, 136, 153, 252, 155, 137, 172, 169, 185, 2, 64, 20, 75, 153, 146,  
32, 180,  
32, 4, 132, 42, 202, 128, 137, 169, 72, 0, 68, 89, 154, 153, 39, 223, 75, 180, 12, 168,  
139, 11, 9, 139, 184, 128, 73, 191, 100, 185, 148, 0, 187, 155, 187, 187, 68, 187,  
155, 187,  
187, 185, 187, 148, 73, 251, 187, 185, 187, 187, 181, 169, 73, 144, 187, 75, 185,  
176, 0, 187,  
73, 152, 11, 128, 139, 0, 4, 0, 72, 144, 4, 64, 128, 0, 8, 4, 8, 187, 154, 19,

40, 176, 0, 8, 184, 132, 155, 9, 152, 128, 64, 152, 0, 137, 136, 128, 4, 0, 0, 128,  
128, 0, 0, 176, 0, 0, 9, 4, 185, 132, 68, 176, 136, 11, 128, 137, 11, 197, 168, 0,  
134, 40, 11, 155, 136, 11, 157, 220, 139, 187, 180, 68, 11, 176, 4, 152, 176, 64, 9,  
31,  
152, 0, 4, 0, 4, 153, 64, 32, 180, 180, 137, 36, 178, 170, 172, 17, 102, 99, 51, 51,  
61, 17, 17, 17, 37, 204, 252, 253, 238, 231, 119, 119, 119, 221, 252, 204, 202, 172,  
170, 170,  
154, 169, 137, 154, 187, 176, 9, 132, 180, 9, 153, 89, 128, 8, 153, 153, 66, 64, 128,  
152,  
75, 152, 184, 11, 69, 64, 68, 180, 184, 187, 64, 8, 0, 72, 196, 154, 11, 182, 52, 226,  
144, 128, 9, 185, 73, 166, 51, 101, 41, 176, 73, 162, 152, 89, 8, 162, 185, 128, 185,  
146,  
250, 137, 91, 153, 139, 4, 0, 4, 9, 132, 144, 170, 76, 96, 164, 11, 144, 32, 0, 85,  
36, 73, 168, 66, 66, 184, 11, 152, 184, 176, 185, 178, 132, 64, 156, 169, 187, 64, 68,  
4,  
108, 184, 128, 64, 130, 98, 4, 155, 73, 40, 148, 181, 34, 64, 64, 8, 136, 73, 215, 84,  
68, 22, 34, 40, 165, 41, 153, 136, 170, 153, 153, 132, 34, 41, 34, 64, 36, 0, 139, 130,  
66, 73, 41, 36, 164, 187, 73, 91, 0, 128, 180, 68, 184, 9, 154, 244, 68, 0, 9, 144,  
128, 4, 153, 171, 148, 64, 9, 137, 185, 180, 187, 155, 176, 171, 0, 187, 187, 185,  
155, 128,  
180, 178, 185, 32, 68, 180, 75, 148, 155, 187, 185, 187, 180, 187, 187, 11, 75, 180,  
11, 11,  
184, 184, 128, 8, 139, 136, 144, 0, 8, 136, 144, 136, 176, 176, 128, 0, 185, 132, 28,  
214,  
43, 176, 187, 0, 43, 137, 11, 136, 152, 187, 128, 0, 0, 9, 128, 0, 68, 4, 8, 11,  
0, 8, 11, 11, 0, 8, 4, 0, 11, 176, 64, 136, 136, 137, 4, 180, 176, 162, 148, 0,  
168, 128, 184, 184, 155, 0, 154, 170, 136, 137, 187, 11, 9, 75, 187, 148, 68, 0, 184,  
180,  
184, 8, 128, 64, 64, 0, 4, 41, 154, 4, 41, 153, 73, 146, 17, 255, 211, 238, 119, 119,  
51, 221, 221, 223, 102, 223, 221, 222, 238, 119, 119, 119, 119, 237, 221, 253, 255,  
253, 220, 204,  
172, 250, 170, 153, 153, 136, 43, 2, 41, 184, 164, 68, 72, 153, 185, 43, 68, 187, 139,  
68,

75, 137, 139, 155, 163, 203, 11, 155, 9, 73, 36, 0, 145, 73, 41, 185, 180, 148, 34, 68,  
176, 180, 0, 4, 148, 69, 241, 89, 42, 2, 75, 72, 139, 11, 136, 75, 153, 144, 9, 152,  
153, 170, 105, 136, 0, 4, 152, 11, 4, 128, 185, 35, 72, 155, 34, 185, 152, 75, 148, 68,  
152, 136, 128, 155, 66, 72, 64, 11, 187, 180, 137, 8, 132, 153, 172, 201, 132, 36, 64,  
32,  
139, 68, 147, 64, 4, 4, 74, 164, 155, 184, 137, 0, 68, 4, 136, 0, 139, 153, 165, 0,  
0, 154, 36, 68, 68, 144, 8, 146, 43, 152, 156, 170, 222, 236, 18, 11, 11, 64, 139, 146,  
82, 11, 153, 180, 180, 132, 184, 187, 128, 128, 8, 153, 144, 11, 187, 68, 0, 187, 91,  
136,  
4, 70, 148, 137, 91, 64, 8, 164, 176, 178, 139, 153, 187, 64, 187, 187, 187, 139, 148,  
4,  
164, 181, 75, 176, 0, 74, 155, 180, 187, 187, 75, 75, 187, 187, 185, 187, 11, 153,  
187, 9,  
0, 176, 8, 8, 152, 8, 0, 0, 0, 0, 137, 152, 176, 0, 0, 5, 64, 148, 34, 101,  
176, 41, 64, 0, 0, 137, 11, 4, 176, 137, 187, 0, 0, 136, 128, 128, 75, 9, 1, 128,  
64, 137, 132, 176, 0, 0, 0, 0, 8, 0, 0, 152, 8, 8, 128, 176, 176, 8, 184,  
136, 187, 136, 8, 136, 184, 153, 136, 153, 139, 0, 11, 11, 11, 75, 180, 176, 4, 11,  
180,  
152, 185, 68, 4, 139, 11, 185, 187, 152, 139, 73, 153, 41, 156, 207, 102, 51, 231,  
119, 119,  
119, 237, 214, 255, 111, 253, 253, 221, 238, 119, 119, 119, 119, 237, 221, 255, 255,  
255, 223, 204,  
204, 202, 170, 152, 153, 137, 148, 185, 41, 137, 155, 154, 11, 139, 64, 153, 153,  
169, 152, 144,  
137, 137, 137, 136, 174, 251, 4, 152, 137, 73, 36, 64, 66, 32, 64, 187, 8, 68, 68, 148,  
139, 128, 9, 73, 170, 42, 34, 43, 187, 153, 136, 11, 187, 180, 11, 0, 188, 155, 137,  
171,  
136, 153, 152, 144, 176, 180, 0, 0, 75, 176, 176, 153, 8, 152, 133, 75, 178, 104, 43,  
0,  
150, 72, 185, 153, 155, 180, 68, 185, 4, 176, 176, 73, 148, 42, 170, 169, 137, 187,  
66, 68,  
66, 75, 152, 153, 184, 4, 146, 152, 139, 185, 42, 144, 148, 64, 72, 187, 136, 153,  
168, 5,



194, 139, 153, 176, 68, 137, 8, 166, 75, 4, 130, 154, 221, 154, 169, 155, 9, 66, 153,  
176,  
66, 75, 152, 4, 0, 73, 139, 136, 152, 128, 8, 89, 176, 11, 4, 0, 75, 176, 75, 11,  
176, 154, 148, 8, 68, 185, 4, 176, 185, 9, 187, 75, 187, 11, 187, 73, 176, 137, 187, 4,  
155, 2, 187, 176, 11, 146, 185, 180, 185, 185, 180, 187, 187, 187, 187, 185, 185,  
187, 176, 11,  
128, 0, 0, 128, 136, 128, 0, 0, 0, 0, 187, 136, 0, 8, 128, 130, 153, 187, 34, 169,  
139, 155, 187, 11, 0, 132, 11, 11, 0, 0, 176, 137, 40, 0, 136, 0, 4, 0, 130, 176,  
8, 8, 187, 0, 130, 0, 0, 0, 128, 144, 184, 128, 136, 152, 168, 137, 11, 8, 139,  
139, 8, 0, 0, 187, 41, 137, 130, 152, 128, 4, 184, 11, 0, 32, 155, 0, 64, 139, 0,  
139, 187, 176, 4, 187, 184, 137, 187, 136, 185, 139, 73, 164, 37, 81, 243, 51, 119,  
119, 119,  
119, 227, 111, 31, 252, 252, 204, 253, 222, 231, 119, 119, 126, 221, 255, 252, 207,  
220, 255, 204,  
170, 169, 152, 153, 73, 136, 139, 138, 153, 153, 12, 41, 187, 148, 72, 138, 251, 73,  
152, 41,  
4, 187, 153, 153, 149, 171, 8, 0, 11, 139, 64, 0, 178, 0, 128, 152, 144, 66, 68, 164,  
8, 4, 64, 198, 41, 187, 148, 68, 33, 155, 187, 4, 155, 180, 139, 0, 47, 164, 185, 153,  
2, 153, 152, 8, 11, 187, 68, 0, 4, 68, 64, 160, 185, 154, 153, 80, 4, 201, 98, 64,  
133, 36, 9, 75, 155, 138, 4, 146, 72, 11, 187, 73, 37, 168, 153, 137, 153, 73, 74, 180,  
68, 155, 72, 148, 155, 144, 42, 148, 145, 43, 193, 187, 72, 187, 176, 11, 137, 153,  
153, 133,  
25, 0, 0, 184, 11, 64, 41, 146, 68, 75, 187, 184, 170, 153, 159, 104, 68, 64, 72, 74,  
155, 180, 180, 176, 176, 137, 176, 153, 11, 0, 136, 185, 137, 145, 176, 0, 128, 11,  
176, 147,  
171, 43, 176, 139, 84, 68, 176, 11, 64, 11, 187, 11, 176, 185, 176, 187, 64, 8, 75,  
187,  
187, 155, 185, 185, 11, 155, 155, 180, 188, 20, 155, 187, 187, 187, 148, 148, 75, 9,  
180, 187,  
128, 136, 152, 136, 152, 136, 0, 128, 0, 0, 11, 128, 8, 8, 136, 132, 146, 0, 184, 43,  
152, 176, 11, 0, 0, 11, 0, 0, 156, 184, 128, 8, 128, 11, 0, 11, 11, 155, 176, 73,  
128, 8, 0, 0, 128, 176, 4, 64, 0, 0, 0, 136, 0, 0, 168, 153, 152, 4, 4, 32,  
139, 0, 0, 32, 139, 0, 139, 66, 89, 128, 136, 187, 11, 176, 0, 155, 187, 73, 148, 0,

187, 4, 187, 187, 153, 153, 136, 138, 138, 154, 170, 172, 197, 85, 246, 214, 51, 119,  
119, 119,  
119, 126, 214, 102, 31, 255, 255, 255, 221, 231, 119, 119, 125, 223, 255, 204, 204,  
218, 204, 202,  
169, 153, 152, 137, 187, 137, 75, 185, 155, 130, 39, 18, 0, 4, 0, 184, 91, 184, 156,  
244,  
68, 136, 184, 152, 138, 43, 11, 176, 8, 187, 43, 68, 139, 176, 137, 171, 9, 75, 4, 68,  
185, 0, 144, 29, 168, 155, 68, 75, 103, 36, 187, 187, 155, 0, 153, 8, 163, 128, 187,  
75,  
72, 144, 136, 153, 153, 132, 68, 11, 176, 11, 187, 155, 75, 73, 139, 64, 176, 12, 114,  
152,  
73, 66, 9, 8, 185, 41, 180, 169, 187, 176, 11, 11, 184, 153, 137, 153, 152, 148, 36,  
176,  
139, 36, 187, 11, 181, 36, 180, 64, 167, 20, 66, 41, 153, 11, 153, 153, 146, 152, 128,  
73,  
40, 178, 176, 176, 136, 137, 153, 152, 0, 187, 144, 75, 152, 153, 170, 170, 201, 139,  
184, 38,  
41, 155, 75, 8, 9, 139, 187, 185, 36, 128, 11, 176, 187, 174, 171, 0, 11, 128, 4, 181,  
187, 68, 64, 186, 100, 0, 0, 4, 0, 187, 181, 137, 185, 185, 176, 185, 170, 176, 187,  
187,  
187, 187, 187, 155, 187, 164, 185, 187, 9, 164, 185, 187, 148, 182, 171, 153, 187,  
187, 180, 187,  
0, 132, 139, 176, 0, 136, 132, 0, 11, 128, 0, 176, 8, 136, 0, 187, 137, 137, 148, 139,  
176, 4, 4, 4, 64, 9, 0, 176, 161, 176, 128, 9, 132, 185, 155, 0, 64, 128, 0, 0,  
0, 0, 0, 0, 8, 176, 64, 0, 0, 176, 75, 8, 0, 8, 9, 137, 11, 180, 11, 0,  
136, 176, 155, 41, 180, 4, 146, 9, 73, 8, 136, 11, 9, 139, 72, 152, 130, 68, 187, 66,  
34, 180, 187, 180, 137, 153, 170, 153, 172, 207, 207, 255, 102, 102, 51, 62, 55, 119,  
119, 119,  
119, 119, 51, 51, 51, 61, 221, 221, 222, 238, 119, 119, 237, 223, 204, 204, 204, 250,  
170, 170,  
169, 152, 170, 153, 155, 155, 176, 73, 152, 153, 37, 38, 68, 0, 64, 8, 153, 9, 185, 43,  
4, 155, 185, 152, 169, 187, 184, 176, 9, 148, 187, 0, 4, 187, 11, 41, 73, 187, 72, 144,  
130, 68, 36, 68, 153, 132, 68, 187, 165, 66, 178, 36, 68, 0, 187, 0, 154, 64, 176, 155,

0, 178, 139, 136, 137, 137, 68, 4, 0, 139, 130, 146, 73, 73, 139, 4, 8, 9, 80, 144,  
153, 4, 64, 4, 187, 144, 75, 153, 187, 4, 155, 0, 0, 154, 164, 153, 153, 152, 66, 137,  
137, 185, 68, 185, 145, 25, 180, 11, 65, 41, 154, 170, 169, 153, 137, 44, 249, 136,  
187, 8,  
161, 181, 187, 128, 64, 17, 136, 128, 128, 184, 9, 72, 137, 152, 153, 154, 133, 75,  
136, 34,  
162, 187, 40, 8, 176, 4, 0, 0, 73, 8, 176, 4, 184, 185, 36, 180, 181, 176, 11, 75,  
187, 64, 0, 11, 0, 0, 187, 139, 176, 186, 155, 187, 187, 187, 176, 11, 43, 180, 43,  
176,  
176, 34, 155, 155, 191, 203, 180, 187, 187, 180, 187, 155, 180, 154, 73, 187, 68,  
187, 187, 68,  
0, 139, 11, 176, 176, 136, 128, 11, 11, 0, 8, 0, 0, 144, 8, 9, 187, 139, 128, 176,  
139, 0, 64, 176, 64, 11, 0, 8, 73, 0, 0, 136, 0, 75, 155, 0, 0, 176, 180, 0,  
0, 128, 4, 11, 137, 187, 11, 139, 128, 187, 8, 0, 128, 8, 0, 128, 4, 180, 0, 128,  
0, 0, 0, 153, 153, 153, 146, 42, 9, 64, 0, 187, 136, 139, 8, 136, 138, 180, 4, 187,  
68, 187, 155, 11, 73, 152, 136, 169, 137, 153, 152, 146, 165, 37, 17, 102, 51, 119,  
119, 119,  
119, 125, 102, 102, 31, 241, 31, 255, 255, 222, 231, 238, 221, 255, 204, 255, 202,  
170, 170, 170,  
170, 168, 137, 153, 73, 36, 75, 180, 153, 155, 0, 0, 64, 4, 11, 128, 68, 137, 185, 137,  
139, 144, 8, 136, 155, 187, 139, 72, 185, 155, 11, 36, 9, 176, 0, 155, 136, 184, 176,  
176,  
6, 210, 68, 11, 176, 0, 68, 187, 130, 150, 148, 43, 4, 75, 75, 137, 4, 4, 8, 128,  
137, 4, 153, 152, 9, 136, 148, 180, 0, 64, 64, 11, 4, 153, 136, 68, 0, 144, 72, 72,  
152, 0, 75, 66, 68, 75, 184, 152, 187, 130, 144, 8, 11, 154, 153, 42, 153, 169, 132,  
73,  
153, 187, 68, 11, 4, 138, 176, 176, 178, 72, 156, 223, 249, 137, 152, 74, 24, 184, 11,  
184,  
34, 148, 75, 8, 32, 137, 176, 180, 9, 128, 157, 57, 152, 136, 136, 136, 137, 152, 144,  
41,  
101, 155, 73, 178, 11, 180, 0, 180, 154, 153, 155, 185, 64, 185, 91, 187, 178, 37, 69,  
64,

187, 43, 0, 0, 0, 187, 153, 137, 176, 75, 11, 171, 187, 187, 187, 185, 187, 75, 160,  
184,  
75, 106, 148, 187, 156, 251, 180, 187, 180, 180, 73, 73, 187, 187, 146, 202, 153,  
153, 187, 146,  
0, 176, 41, 0, 64, 4, 128, 176, 8, 176, 176, 0, 128, 176, 0, 0, 4, 91, 184, 176,  
187, 11, 32, 187, 187, 139, 176, 11, 184, 136, 136, 128, 136, 187, 187, 0, 0, 64, 153,  
128,  
136, 128, 0, 8, 11, 180, 40, 0, 128, 0, 0, 128, 0, 0, 152, 136, 89, 11, 11, 72,  
0, 187, 64, 8, 187, 37, 161, 22, 20, 187, 72, 153, 154, 184, 8, 155, 137, 139, 11, 184,  
187, 9, 187, 185, 184, 152, 187, 153, 152, 153, 154, 185, 37, 37, 255, 102, 99, 55,  
119, 119,  
119, 230, 97, 81, 204, 204, 198, 28, 207, 253, 222, 237, 223, 252, 204, 255, 202,  
170, 170, 169,  
140, 203, 153, 155, 204, 146, 144, 185, 136, 128, 69, 68, 11, 11, 4, 136, 184, 153,  
184, 184,  
139, 4, 0, 187, 184, 155, 187, 155, 137, 72, 132, 91, 72, 9, 0, 0, 0, 9, 187, 180,  
15, 242, 32, 0, 8, 187, 75, 176, 43, 178, 0, 187, 0, 9, 144, 64, 36, 0, 168, 185,  
66, 64, 41, 36, 8, 130, 155, 180, 64, 68, 8, 152, 187, 155, 132, 136, 64, 9, 9, 153,  
137, 2, 64, 4, 4, 68, 155, 132, 185, 145, 41, 11, 186, 169, 170, 255, 204, 169, 153,  
184,  
152, 152, 180, 64, 187, 144, 73, 176, 66, 202, 173, 119, 202, 153, 137, 132, 184,  
155, 128, 155,  
66, 73, 9, 139, 32, 8, 178, 84, 64, 64, 191, 57, 152, 8, 136, 184, 128, 8, 153, 152,  
155, 132, 0, 68, 132, 9, 11, 132, 35, 8, 153, 88, 187, 187, 36, 187, 187, 68, 64, 185,  
73, 164, 187, 187, 11, 11, 169, 128, 176, 128, 152, 176, 11, 155, 186, 196, 148, 187,  
64, 153,  
187, 153, 148, 73, 68, 75, 191, 187, 4, 187, 187, 187, 187, 187, 156, 238, 169, 153,  
27, 180,  
137, 176, 253, 100, 4, 136, 155, 176, 185, 2, 144, 0, 9, 0, 64, 0, 11, 187, 185, 176,  
176, 8, 139, 144, 11, 132, 187, 176, 0, 8, 128, 0, 128, 184, 0, 0, 132, 0, 0, 0,  
11, 128, 0, 9, 75, 137, 64, 0, 139, 4, 128, 0, 64, 0, 139, 0, 180, 0, 0, 0,  
0, 0, 0, 9, 2, 241, 79, 218, 84, 0, 137, 72, 153, 153, 184, 152, 136, 128, 187, 180,

184, 184, 139, 4, 136, 139, 184, 185, 137, 152, 136, 154, 34, 92, 85, 17, 102, 231,  
119, 119,  
126, 214, 17, 17, 28, 204, 28, 207, 207, 252, 254, 222, 237, 255, 255, 255, 202, 170,  
172, 153,  
139, 187, 186, 185, 170, 41, 152, 180, 184, 137, 84, 4, 2, 185, 11, 187, 146, 153, 40,  
9,  
180, 187, 64, 11, 137, 128, 187, 11, 187, 136, 186, 4, 8, 2, 80, 187, 144, 0, 136, 152,  
69, 144, 64, 72, 153, 4, 68, 176, 75, 0, 0, 187, 180, 73, 73, 180, 68, 64, 168, 136,  
146, 152, 9, 66, 184, 11, 196, 2, 32, 180, 153, 153, 185, 128, 128, 144, 155, 187, 12,  
162,  
136, 148, 64, 72, 75, 75, 9, 154, 137, 156, 153, 8, 153, 154, 207, 238, 220, 202, 153,  
9,  
132, 139, 180, 9, 185, 148, 184, 166, 154, 58, 175, 125, 250, 152, 152, 132, 8, 152,  
152, 139,  
4, 9, 130, 180, 176, 128, 130, 66, 4, 8, 153, 153, 144, 73, 155, 184, 0, 8, 153, 137,  
144, 0, 11, 139, 144, 139, 176, 137, 152, 137, 136, 43, 9, 153, 187, 75, 187, 180, 43,  
187,  
185, 68, 187, 187, 187, 187, 155, 185, 144, 136, 187, 11, 75, 180, 159, 233, 75, 176,  
185, 213,  
66, 43, 153, 202, 185, 176, 187, 11, 187, 180, 187, 75, 187, 155, 154, 221, 169, 185,  
249, 4,  
185, 9, 138, 200, 0, 187, 132, 0, 75, 0, 176, 136, 128, 4, 8, 11, 75, 187, 187, 136,  
0, 8, 176, 0, 176, 0, 75, 176, 153, 132, 0, 0, 8, 0, 4, 8, 0, 8, 136, 0,  
11, 0, 176, 11, 41, 11, 0, 0, 136, 8, 128, 0, 0, 8, 11, 128, 0, 0, 9, 0,  
0, 0, 11, 11, 92, 60, 68, 153, 11, 8, 66, 155, 152, 152, 128, 128, 136, 0, 9, 187,  
75, 138, 171, 9, 168, 136, 132, 180, 153, 137, 138, 178, 66, 37, 81, 17, 22, 62, 231,  
119,  
227, 214, 21, 21, 92, 204, 204, 92, 28, 207, 254, 255, 253, 223, 252, 252, 170, 169,  
153, 168,  
153, 152, 153, 162, 66, 104, 136, 187, 8, 93, 52, 144, 93, 64, 0, 180, 37, 132, 32, 8,  
68, 75, 180, 0, 8, 11, 2, 64, 73, 130, 0, 4, 8, 4, 66, 5, 155, 11, 191, 153,  
8, 148, 0, 146, 162, 144, 64, 181, 146, 155, 176, 64, 64, 9, 28, 4, 139, 136, 152, 180,  
199, 75, 148, 148, 128, 8, 36, 176, 64, 187, 15, 249, 144, 176, 64, 8, 144, 0, 4, 148,

137, 68, 68, 0, 72, 0, 136, 185, 8, 0, 64, 152, 146, 170, 205, 119, 239, 252, 152, 146,  
176, 184, 187, 178, 73, 144, 0, 2, 136, 152, 156, 252, 170, 136, 171, 4, 8, 34, 187, 0,  
64, 152, 9, 75, 64, 0, 132, 36, 64, 0, 181, 144, 0, 153, 75, 184, 184, 137, 153, 153,  
152, 73, 187, 145, 32, 75, 155, 185, 187, 64, 4, 68, 68, 75, 180, 149, 75, 187, 36, 9,  
11, 187, 185, 187, 4, 187, 68, 155, 9, 155, 4, 11, 185, 68, 147, 162, 11, 73, 166, 74,  
202, 155, 185, 218, 68, 187, 75, 180, 187, 187, 180, 180, 34, 153, 180, 170, 168, 11,  
187, 149,  
176, 0, 11, 152, 8, 137, 0, 0, 187, 176, 136, 139, 0, 136, 128, 0, 11, 128, 136, 0,  
11, 9, 184, 0, 11, 128, 136, 11, 0, 0, 0, 8, 0, 0, 187, 68, 0, 0, 0, 0,  
128, 128, 0, 8, 0, 128, 0, 128, 8, 136, 8, 27, 8, 139, 91, 8, 0, 4, 11, 0,  
136, 8, 137, 180, 31, 26, 144, 139, 187, 11, 180, 153, 132, 139, 136, 137, 64, 0, 0,  
187,  
187, 2, 80, 11, 8, 153, 185, 185, 139, 155, 162, 146, 34, 85, 92, 17, 22, 109, 222,  
125,  
223, 28, 92, 162, 204, 204, 92, 197, 197, 204, 253, 252, 207, 255, 252, 204, 170,  
170, 137, 137,  
137, 137, 73, 68, 187, 136, 176, 132, 0, 154, 80, 139, 146, 11, 36, 180, 68, 0, 0, 178,  
148, 148, 84, 176, 9, 0, 0, 4, 8, 137, 184, 176, 128, 68, 68, 78, 203, 72, 133, 155,  
136, 153, 4, 139, 197, 75, 176, 2, 153, 137, 130, 73, 4, 9, 8, 139, 2, 176, 139, 187,  
148, 72, 152, 184, 64, 73, 68, 64, 176, 176, 132, 155, 180, 75, 184, 184, 40, 8, 11, 9,  
150, 82, 88, 176, 0, 185, 73, 133, 187, 176, 153, 9, 34, 37, 205, 231, 237, 202, 169,  
207,  
132, 176, 180, 174, 41, 148, 184, 187, 73, 137, 153, 170, 169, 136, 169, 128, 139,  
153, 187, 146,  
75, 43, 85, 43, 8, 152, 178, 34, 36, 4, 82, 68, 0, 169, 137, 64, 185, 187, 137, 153,  
154, 90, 137, 247, 80, 0, 187, 187, 180, 0, 9, 11, 187, 187, 187, 187, 187, 187, 176,  
187,  
187, 155, 187, 187, 187, 187, 148, 153, 180, 68, 139, 180, 187, 187, 186, 187, 11,  
171, 178, 154,  
115, 169, 187, 68, 155, 155, 187, 187, 187, 187, 187, 201, 195, 153, 146, 169, 187,  
11, 187, 148,  
0, 8, 180, 0, 8, 148, 176, 0, 8, 0, 8, 11, 128, 0, 0, 137, 2, 184, 8, 176,  
176, 178, 0, 187, 0, 128, 175, 0, 0, 136, 44, 176, 137, 153, 180, 68, 64, 176, 0, 128,

128, 0, 0, 128, 0, 64, 128, 0, 136, 128, 155, 100, 0, 8, 192, 144, 176, 132, 187, 0,  
139, 128, 0, 11, 149, 34, 4, 184, 152, 4, 187, 2, 171, 144, 8, 176, 4, 176, 11, 11,  
185, 180, 11, 187, 128, 176, 180, 153, 185, 137, 171, 171, 146, 34, 81, 85, 17, 22,  
99, 51,  
22, 21, 21, 92, 170, 204, 204, 81, 92, 197, 254, 202, 202, 202, 204, 170, 170, 153,  
138, 152,  
136, 139, 187, 155, 84, 152, 176, 187, 176, 153, 171, 4, 178, 185, 152, 128, 68, 11,  
72, 141,  
66, 68, 41, 171, 185, 139, 0, 9, 4, 153, 139, 128, 0, 64, 64, 12, 187, 4, 9, 128,  
154, 200, 155, 153, 73, 187, 139, 8, 137, 176, 155, 0, 148, 11, 68, 8, 128, 64, 176,  
187,  
11, 128, 0, 9, 0, 68, 73, 152, 185, 8, 0, 128, 73, 73, 153, 184, 8, 128, 180, 137,  
35, 84, 64, 187, 139, 178, 68, 144, 4, 72, 139, 9, 66, 175, 207, 231, 237, 202, 136,  
153,  
187, 180, 11, 186, 180, 137, 184, 180, 72, 137, 169, 168, 152, 138, 153, 155, 184,  
153, 42, 85,  
16, 185, 185, 64, 9, 137, 139, 149, 80, 176, 37, 64, 9, 136, 136, 128, 42, 187, 72,  
136,  
136, 153, 168, 197, 180, 9, 187, 64, 75, 176, 9, 187, 187, 153, 176, 73, 144, 187, 43,  
185,  
75, 0, 11, 0, 0, 11, 89, 139, 137, 148, 144, 186, 73, 180, 185, 9, 11, 171, 155, 180,  
252, 153, 148, 166, 153, 185, 187, 187, 153, 185, 180, 169, 42, 187, 180, 187, 187,  
187, 187, 187,  
176, 0, 176, 136, 0, 139, 128, 9, 0, 0, 128, 11, 72, 8, 187, 187, 187, 0, 176, 0,  
11, 176, 184, 187, 128, 137, 34, 176, 128, 176, 180, 153, 136, 0, 75, 64, 0, 0, 0, 0,  
0, 136, 0, 0, 139, 176, 4, 8, 11, 0, 176, 80, 0, 11, 180, 0, 0, 11, 11, 0,  
8, 0, 0, 0, 64, 144, 8, 0, 136, 176, 128, 187, 32, 187, 11, 0, 0, 0, 0, 180,  
9, 128, 0, 176, 4, 11, 152, 137, 185, 155, 187, 178, 66, 37, 85, 81, 17, 17, 22, 54,  
17, 81, 85, 165, 42, 170, 204, 197, 92, 204, 253, 204, 170, 170, 170, 202, 170, 137,  
153, 153,  
153, 171, 72, 187, 170, 73, 64, 139, 9, 186, 132, 68, 4, 73, 66, 68, 68, 4, 139, 154,  
171, 4, 154, 201, 153, 152, 0, 0, 153, 137, 144, 139, 0, 64, 144, 162, 11, 187, 187,  
137,

153, 88, 176, 180, 180, 36, 4, 187, 132, 136, 139, 136, 66, 75, 68, 176, 128, 180, 0,  
0,  
176, 0, 11, 133, 64, 72, 9, 128, 139, 176, 128, 132, 11, 148, 73, 144, 64, 180, 64, 11,  
149, 0, 9, 148, 75, 177, 130, 11, 73, 75, 139, 4, 148, 172, 172, 253, 252, 170, 152,  
153,  
187, 36, 184, 187, 187, 185, 187, 2, 8, 146, 72, 137, 136, 153, 152, 152, 182, 32,  
149, 144,  
64, 26, 41, 11, 9, 185, 137, 36, 32, 68, 68, 0, 139, 152, 152, 8, 68, 64, 187, 155,  
153, 152, 154, 153, 153, 138, 187, 187, 11, 187, 187, 184, 180, 180, 180, 9, 176,  
186, 58, 11,  
176, 9, 128, 176, 187, 187, 43, 4, 186, 169, 155, 146, 185, 132, 36, 185, 149, 171,  
185, 75,  
154, 186, 153, 167, 251, 180, 187, 187, 187, 187, 165, 68, 171, 187, 148, 153, 180,  
68, 187, 180,  
155, 8, 187, 136, 128, 0, 8, 139, 176, 0, 152, 128, 8, 8, 0, 176, 0, 8, 64, 128,  
128, 128, 0, 0, 0, 139, 0, 0, 139, 0, 128, 176, 136, 0, 11, 0, 0, 0, 137,  
139, 128, 8, 0, 0, 0, 139, 139, 136, 0, 11, 169, 176, 0, 4, 0, 0, 9, 184, 8,  
136, 0, 9, 80, 136, 0, 0, 139, 187, 8, 11, 4, 73, 128, 11, 128, 139, 0, 184, 4,  
138, 187, 0, 176, 11, 185, 139, 9, 153, 155, 187, 155, 146, 37, 82, 81, 17, 102, 99,  
49,  
17, 21, 21, 85, 162, 170, 172, 197, 204, 28, 195, 202, 169, 154, 170, 170, 169, 170,  
152, 152,  
152, 139, 184, 136, 68, 176, 64, 128, 69, 184, 128, 185, 180, 75, 185, 180, 36, 36,  
184, 152,  
132, 73, 188, 204, 201, 168, 136, 137, 154, 152, 187, 184, 8, 155, 32, 185, 9, 152,  
185, 187,  
152, 0, 72, 0, 9, 155, 180, 187, 169, 184, 155, 136, 148, 41, 72, 0, 68, 5, 64, 187,  
152, 0, 8, 1, 36, 41, 136, 136, 0, 64, 148, 176, 184, 66, 66, 0, 0, 8, 187, 176,  
9, 4, 180, 75, 36, 32, 185, 139, 64, 184, 169, 9, 185, 73, 169, 202, 170, 170, 153,  
137,  
0, 180, 180, 43, 8, 187, 137, 148, 153, 187, 136, 152, 128, 136, 153, 137, 140, 64,  
180, 68,



130, 49, 64, 128, 185, 176, 128, 68, 4, 148, 73, 184, 72, 136, 168, 136, 11, 137, 11,  
148,  
185, 8, 153, 137, 154, 154, 128, 176, 176, 180, 185, 128, 185, 176, 180, 11, 176,  
180, 107, 187,  
75, 185, 152, 136, 178, 176, 137, 160, 154, 255, 169, 152, 72, 155, 75, 187, 253, 43,  
178, 180,  
187, 154, 152, 154, 155, 180, 68, 176, 11, 187, 161, 68, 36, 187, 73, 155, 178, 75,  
185, 187,  
139, 8, 128, 128, 136, 64, 8, 187, 139, 136, 0, 184, 8, 176, 4, 8, 11, 136, 0, 8,  
128, 144, 11, 136, 0, 37, 8, 11, 128, 180, 0, 128, 176, 176, 64, 0, 0, 0, 0, 42,  
128, 128, 0, 0, 11, 11, 0, 148, 128, 11, 0, 172, 176, 0, 4, 8, 144, 8, 128, 8,  
128, 128, 2, 240, 0, 11, 184, 144, 11, 0, 180, 0, 11, 155, 128, 184, 187, 11, 155, 11,  
187, 187, 0, 155, 176, 137, 156, 184, 137, 152, 187, 73, 34, 37, 37, 86, 17, 19, 54,  
49,  
21, 85, 85, 90, 42, 172, 202, 202, 170, 204, 205, 170, 154, 170, 154, 137, 153, 154,  
187, 184,  
137, 176, 155, 152, 148, 64, 64, 155, 148, 153, 176, 160, 185, 64, 66, 153, 75, 68,  
180, 153,  
193, 164, 152, 153, 204, 168, 152, 137, 153, 136, 136, 137, 176, 137, 176, 144, 185,  
137, 42, 136,  
187, 11, 128, 11, 188, 91, 180, 64, 176, 8, 154, 128, 187, 153, 36, 64, 4, 66, 68, 68,  
169, 176, 152, 4, 64, 73, 8, 187, 176, 137, 4, 66, 72, 36, 66, 180, 4, 64, 178, 187,  
132, 136, 64, 176, 68, 187, 185, 187, 4, 185, 153, 0, 75, 73, 73, 136, 170, 136, 137,  
152,  
0, 73, 72, 168, 139, 11, 184, 155, 187, 75, 184, 152, 176, 11, 152, 170, 153, 128,  
139, 8,  
148, 153, 155, 176, 155, 187, 144, 185, 136, 137, 137, 9, 180, 136, 152, 185, 137,  
132, 73, 187,  
184, 139, 136, 154, 152, 136, 137, 11, 176, 0, 9, 137, 187, 64, 81, 187, 187, 153,  
176, 176,  
180, 187, 187, 139, 145, 64, 173, 57, 153, 198, 252, 41, 153, 132, 0, 11, 165, 36,  
181, 144,

185, 154, 168, 9, 11, 176, 187, 187, 187, 75, 187, 187, 187, 180, 187, 187, 180, 76,  
91, 75,  
2, 36, 187, 0, 128, 64, 8, 8, 187, 11, 0, 128, 8, 0, 0, 136, 0, 0, 11, 139,  
0, 176, 184, 0, 0, 64, 8, 0, 136, 144, 128, 184, 8, 11, 152, 0, 0, 176, 11, 73,  
0, 8, 0, 0, 0, 8, 8, 176, 0, 8, 64, 188, 184, 136, 148, 8, 8, 139, 176, 185,  
0, 136, 68, 0, 0, 11, 155, 155, 139, 176, 8, 176, 64, 132, 11, 136, 0, 128, 184, 9,  
9, 128, 0, 9, 128, 185, 175, 187, 155, 136, 41, 66, 34, 37, 37, 81, 17, 19, 102, 49,  
21, 85, 82, 82, 170, 42, 202, 170, 202, 202, 205, 201, 169, 153, 41, 153, 152, 155,  
187, 187,  
136, 136, 139, 187, 132, 11, 176, 164, 4, 36, 128, 0, 34, 11, 46, 249, 187, 68, 68, 73,  
51, 88, 153, 137, 172, 170, 136, 155, 187, 128, 4, 153, 184, 154, 16, 9, 153, 132,  
154, 155,  
43, 144, 144, 0, 64, 187, 32, 187, 9, 132, 153, 137, 184, 0, 180, 9, 75, 132, 4, 68,  
187, 152, 184, 128, 0, 8, 8, 68, 11, 137, 36, 47, 43, 4, 41, 4, 187, 0, 178, 88,  
148, 180, 144, 64, 68, 139, 180, 187, 8, 185, 148, 75, 4, 153, 137, 153, 136, 153,  
187, 137,  
176, 9, 185, 137, 153, 40, 11, 176, 4, 128, 185, 8, 184, 184, 11, 138, 168, 136, 136,  
176,  
137, 75, 64, 0, 132, 137, 11, 8, 153, 128, 136, 8, 128, 136, 138, 72, 4, 176, 42, 153,  
153, 153, 136, 137, 137, 128, 136, 187, 64, 0, 139, 187, 180, 187, 4, 176, 180, 155,  
187, 64,  
178, 187, 73, 8, 187, 0, 70, 201, 136, 154, 253, 250, 155, 178, 164, 155, 148, 68,  
180, 11,  
186, 154, 137, 72, 180, 0, 75, 64, 180, 68, 68, 75, 75, 75, 176, 187, 180, 149, 84, 75,  
13, 25, 128, 128, 0, 0, 0, 8, 128, 128, 0, 128, 136, 11, 11, 152, 75, 0, 0, 8,  
178, 176, 0, 0, 11, 0, 0, 137, 8, 8, 187, 0, 136, 8, 221, 148, 187, 8, 139, 8,  
8, 128, 0, 8, 0, 136, 8, 0, 0, 8, 4, 180, 137, 218, 153, 184, 136, 0, 139, 0,  
0, 68, 68, 176, 0, 11, 0, 36, 8, 176, 0, 8, 0, 146, 0, 0, 0, 64, 8, 8,  
139, 155, 0, 0, 144, 72, 139, 73, 153, 152, 136, 148, 148, 34, 162, 85, 85, 17, 22, 49,  
21, 85, 85, 44, 42, 170, 170, 170, 170, 202, 205, 202, 170, 169, 169, 153, 137, 137,  
137, 184,  
153, 139, 155, 152, 176, 187, 10, 36, 36, 11, 176, 11, 164, 11, 44, 209, 64, 36, 36,  
73,

37, 75, 11, 8, 154, 170, 169, 152, 128, 184, 9, 139, 11, 44, 192, 4, 40, 155, 152, 180,  
185, 139, 41, 144, 4, 136, 176, 68, 11, 9, 203, 153, 139, 136, 153, 8, 11, 137, 132,  
32,  
132, 140, 75, 176, 64, 0, 11, 82, 64, 9, 146, 68, 73, 4, 73, 41, 185, 73, 172, 104,  
148, 164, 11, 185, 68, 137, 155, 11, 76, 203, 64, 187, 68, 170, 153, 11, 152, 136,  
184, 187,  
0, 180, 185, 169, 9, 64, 11, 0, 75, 0, 73, 130, 8, 152, 178, 154, 170, 136, 169, 136,  
153, 4, 68, 0, 148, 137, 187, 153, 136, 170, 128, 8, 32, 139, 137, 41, 0, 11, 136, 153,  
169, 136, 153, 153, 137, 72, 136, 178, 11, 8, 180, 187, 75, 187, 187, 187, 153, 187,  
75, 187,  
187, 171, 185, 136, 155, 155, 9, 153, 128, 153, 159, 221, 194, 187, 11, 185, 187, 0,  
187, 9,  
153, 172, 170, 128, 64, 128, 4, 0, 11, 64, 73, 75, 176, 155, 0, 187, 180, 75, 180, 68,  
11, 137, 8, 136, 136, 128, 0, 8, 152, 0, 187, 137, 11, 0, 152, 184, 8, 72, 0, 75,  
8, 8, 128, 0, 180, 4, 176, 8, 8, 136, 4, 11, 137, 8, 169, 11, 34, 8, 187, 0,  
8, 128, 0, 128, 8, 176, 0, 0, 128, 0, 0, 132, 74, 239, 136, 176, 137, 187, 72, 64,  
136, 128, 178, 176, 187, 139, 144, 176, 0, 8, 8, 0, 64, 176, 176, 0, 0, 75, 128, 128,  
155, 0, 176, 4, 64, 136, 68, 8, 155, 171, 72, 42, 178, 34, 170, 204, 60, 17, 22, 53,  
82, 37, 34, 34, 89, 153, 169, 170, 154, 207, 207, 202, 169, 153, 154, 153, 153, 153,  
137, 155,  
184, 140, 104, 184, 187, 148, 9, 20, 18, 89, 4, 171, 0, 64, 150, 194, 176, 184, 149,  
159,  
85, 36, 0, 180, 152, 154, 169, 153, 136, 128, 75, 0, 11, 9, 64, 2, 64, 11, 187, 64,  
72, 137, 98, 4, 68, 9, 176, 148, 180, 76, 192, 32, 4, 128, 153, 136, 11, 64, 153, 185,  
9, 37, 132, 68, 64, 68, 137, 36, 64, 139, 34, 11, 11, 0, 185, 66, 187, 180, 153, 168,  
180, 170, 128, 169, 155, 144, 187, 178, 191, 249, 73, 75, 154, 201, 41, 5, 185, 152,  
75, 65,  
136, 144, 137, 196, 68, 64, 0, 9, 75, 2, 73, 180, 88, 132, 66, 41, 136, 136, 138, 168,  
153, 132, 53, 64, 155, 165, 162, 153, 72, 241, 139, 42, 40, 137, 136, 136, 152, 178,  
8, 137,  
169, 153, 152, 154, 164, 185, 137, 64, 68, 64, 187, 68, 36, 73, 155, 187, 164, 155, 0,  
187,

185, 203, 136, 138, 91, 185, 128, 9, 0, 180, 36, 93, 223, 32, 73, 185, 155, 64, 176,  
146,  
169, 156, 153, 196, 153, 137, 155, 0, 0, 4, 187, 180, 153, 187, 185, 149, 75, 187,  
180, 91,  
11, 136, 138, 144, 8, 0, 128, 0, 0, 0, 0, 8, 0, 0, 139, 176, 64, 11, 136, 8,  
0, 8, 9, 0, 0, 184, 0, 75, 0, 0, 132, 64, 128, 128, 4, 184, 176, 11, 176, 9,  
8, 8, 0, 137, 0, 11, 8, 0, 0, 11, 0, 128, 0, 153, 140, 212, 136, 128, 128, 0,  
0, 68, 0, 73, 8, 176, 68, 64, 144, 0, 8, 128, 4, 178, 0, 0, 4, 64, 8, 0,  
0, 4, 8, 148, 11, 11, 64, 73, 187, 195, 66, 148, 75, 153, 170, 82, 245, 17, 81, 101,  
85, 37, 82, 82, 154, 169, 153, 170, 170, 215, 207, 202, 169, 154, 152, 169, 152, 169,  
136, 185,  
180, 188, 217, 139, 176, 180, 36, 186, 36, 99, 68, 4, 11, 9, 2, 82, 11, 185, 155, 172,  
164, 0, 8, 128, 136, 136, 136, 152, 132, 184, 171, 64, 0, 139, 64, 9, 176, 0, 128, 4,  
75, 185, 176, 9, 0, 8, 139, 187, 0, 154, 0, 136, 73, 152, 185, 153, 184, 182, 44, 40,  
132, 184, 132, 66, 33, 89, 152, 4, 152, 0, 128, 68, 73, 184, 157, 252, 152, 187, 185,  
152,  
0, 153, 128, 155, 144, 66, 184, 187, 73, 11, 152, 153, 90, 80, 137, 153, 155, 73, 184,  
40,  
187, 139, 36, 132, 34, 180, 139, 68, 44, 128, 0, 148, 184, 152, 162, 154, 146, 153,  
156, 218,  
168, 186, 84, 64, 136, 34, 153, 137, 73, 34, 139, 181, 9, 40, 72, 185, 128, 164, 155,  
42,  
170, 169, 136, 152, 155, 9, 250, 4, 0, 8, 9, 187, 34, 184, 128, 74, 25, 155, 0, 65,  
187, 187, 0, 76, 164, 176, 155, 187, 187, 187, 73, 153, 207, 26, 72, 185, 155, 144,  
137, 202,  
144, 156, 168, 153, 153, 130, 75, 187, 4, 75, 9, 180, 171, 187, 11, 161, 187, 11, 178,  
84,  
139, 139, 184, 152, 128, 0, 176, 0, 0, 184, 8, 139, 128, 139, 128, 0, 176, 155, 169,  
144,  
0, 144, 187, 136, 0, 148, 64, 144, 11, 0, 0, 0, 0, 8, 11, 0, 75, 144, 136,  
128, 128, 128, 128, 0, 8, 136, 128, 0, 0, 0, 128, 11, 136, 136, 207, 59, 64, 0, 128,  
0, 11, 4, 11, 8, 64, 11, 11, 176, 9, 0, 8, 4, 177, 64, 9, 68, 4, 139, 128,  
4, 11, 128, 75, 176, 12, 75, 186, 185, 66, 185, 73, 155, 73, 170, 42, 165, 85, 81, 53,

34, 37, 66, 34, 162, 153, 169, 153, 154, 172, 175, 202, 168, 171, 89, 137, 137, 154,  
137, 153,  
155, 180, 137, 136, 184, 144, 64, 139, 68, 211, 68, 0, 32, 139, 36, 41, 187, 148, 43,  
148,  
73, 180, 4, 153, 36, 72, 136, 137, 68, 185, 170, 180, 43, 136, 41, 148, 4, 155, 185,  
180,  
152, 178, 176, 0, 185, 0, 8, 137, 176, 72, 136, 73, 32, 146, 73, 153, 153, 181, 206,  
201,  
187, 185, 66, 2, 17, 41, 155, 187, 152, 132, 8, 2, 252, 0, 159, 201, 164, 139, 146,  
176,  
137, 153, 139, 153, 9, 153, 153, 139, 154, 132, 11, 186, 138, 187, 184, 153, 40, 187,  
32, 73,  
187, 203, 153, 68, 72, 73, 152, 0, 146, 128, 136, 146, 136, 9, 40, 68, 152, 154, 156,  
234,  
168, 72, 0, 176, 139, 189, 68, 155, 2, 73, 152, 4, 152, 244, 8, 8, 155, 187, 153, 172,  
170, 169, 136, 144, 4, 8, 84, 180, 128, 8, 184, 8, 68, 68, 8, 159, 57, 180, 11, 172,  
41, 155, 0, 176, 187, 8, 146, 180, 171, 187, 74, 171, 181, 207, 164, 152, 185, 185,  
186, 43,  
153, 156, 217, 180, 137, 153, 180, 187, 139, 185, 187, 186, 148, 176, 11, 68, 187,  
154, 105, 75,  
0, 0, 9, 155, 0, 8, 11, 0, 128, 11, 72, 153, 144, 130, 8, 176, 176, 9, 184, 8,  
128, 128, 128, 8, 0, 8, 0, 0, 0, 0, 11, 8, 4, 11, 0, 11, 11, 75, 176, 152,  
0, 0, 130, 136, 128, 144, 8, 8, 0, 0, 8, 0, 0, 128, 128, 138, 203, 128, 4, 11,  
176, 8, 136, 0, 11, 11, 11, 187, 139, 0, 8, 144, 11, 156, 144, 9, 0, 0, 176, 0,  
176, 64, 0, 0, 176, 4, 64, 132, 32, 68, 153, 34, 153, 169, 162, 42, 169, 204, 47, 98,  
34, 34, 36, 74, 153, 153, 152, 170, 153, 170, 175, 170, 169, 155, 50, 153, 153, 152,  
184, 152,  
185, 165, 40, 155, 11, 176, 184, 184, 139, 36, 68, 68, 0, 132, 32, 136, 73, 73, 75, 4,  
66, 43, 180, 187, 178, 155, 139, 11, 152, 185, 137, 139, 41, 153, 75, 9, 11, 128, 8,  
153,  
168, 184, 187, 75, 155, 8, 8, 152, 11, 72, 152, 148, 84, 92, 184, 153, 178, 11, 181,  
75,

184, 184, 164, 2, 19, 152, 139, 176, 136, 187, 11, 33, 160, 185, 9, 73, 218, 184, 176,  
187,  
8, 185, 146, 4, 185, 237, 153, 187, 138, 128, 136, 178, 185, 68, 153, 136, 43, 155,  
155, 187,  
153, 84, 66, 154, 82, 187, 136, 185, 136, 176, 156, 50, 128, 68, 136, 146, 154, 152,  
154, 170,  
148, 41, 64, 4, 180, 157, 32, 155, 187, 73, 139, 89, 66, 42, 184, 144, 10, 146, 170,  
204,  
170, 169, 136, 180, 0, 184, 139, 75, 136, 136, 178, 9, 75, 68, 0, 68, 68, 187, 64, 187,  
75, 152, 185, 185, 176, 153, 153, 139, 176, 187, 74, 155, 185, 146, 41, 153, 137,  
143, 95, 91,  
187, 159, 169, 152, 153, 171, 180, 153, 75, 180, 75, 153, 153, 187, 148, 176, 0, 186,  
242, 73,  
144, 0, 8, 0, 0, 0, 185, 40, 169, 68, 184, 144, 0, 64, 9, 132, 4, 8, 176, 8,  
128, 8, 128, 0, 8, 128, 8, 139, 4, 0, 0, 176, 0, 128, 32, 64, 176, 11, 176, 8,  
0, 0, 147, 169, 0, 242, 128, 0, 8, 0, 8, 128, 176, 8, 0, 130, 155, 0, 139, 0,  
0, 136, 152, 128, 182, 32, 11, 0, 0, 184, 176, 139, 8, 180, 144, 184, 128, 11, 8, 11,  
187, 0, 8, 0, 8, 187, 68, 75, 75, 180, 155, 155, 153, 138, 154, 130, 162, 146, 44, 106,  
170, 73, 41, 153, 153, 153, 153, 137, 169, 136, 172, 170, 153, 155, 68, 185, 187,  
137, 187, 184,  
137, 146, 43, 187, 184, 184, 187, 153, 176, 72, 136, 146, 155, 137, 98, 187, 0, 0, 68,  
75,  
73, 139, 11, 180, 185, 185, 139, 68, 139, 148, 153, 176, 72, 137, 128, 180, 176, 187,  
137, 137,  
153, 187, 139, 139, 144, 187, 75, 144, 184, 11, 9, 68, 64, 41, 68, 155, 11, 181, 155,  
75,  
11, 0, 153, 146, 94, 170, 128, 0, 75, 185, 148, 187, 144, 75, 9, 68, 82, 153, 11, 137,  
139, 4, 68, 187, 42, 221, 171, 137, 137, 132, 132, 75, 178, 64, 152, 11, 68, 0, 187, 0,  
137, 159, 84, 73, 40, 32, 132, 72, 136, 185, 137, 40, 64, 132, 152, 132, 49, 153, 136,  
152,  
136, 152, 185, 66, 136, 132, 43, 152, 187, 72, 154, 138, 16, 12, 155, 40, 153, 169,  
172, 252,

170, 169, 152, 176, 187, 11, 130, 64, 9, 136, 0, 187, 180, 180, 128, 4, 68, 180, 0,  
187,  
187, 187, 155, 185, 184, 185, 155, 185, 155, 0, 180, 187, 187, 185, 152, 73, 136,  
154, 146, 185,  
155, 172, 169, 153, 137, 139, 176, 187, 75, 148, 176, 153, 155, 187, 155, 187, 9,  
178, 171, 155,  
176, 184, 139, 9, 139, 178, 44, 20, 82, 11, 137, 144, 8, 64, 0, 139, 176, 180, 176, 0,  
8, 8, 64, 184, 8, 8, 184, 176, 8, 0, 139, 0, 0, 136, 32, 187, 4, 0, 0, 8,  
8, 0, 9, 136, 0, 0, 128, 128, 8, 0, 0, 0, 0, 136, 0, 11, 72, 0, 184, 0,  
8, 136, 128, 0, 10, 180, 185, 176, 0, 185, 136, 0, 180, 11, 176, 184, 176, 0, 0, 72,  
11, 0, 8, 0, 0, 136, 176, 0, 32, 43, 4, 73, 153, 72, 154, 154, 74, 146, 172, 250,  
170, 148, 153, 153, 170, 153, 136, 137, 137, 153, 172, 170, 153, 136, 153, 187, 180,  
176, 68, 184,  
185, 155, 64, 11, 180, 184, 11, 139, 4, 34, 155, 4, 36, 153, 111, 185, 75, 4, 4, 11,  
187, 187, 184, 180, 144, 187, 4, 5, 72, 164, 139, 128, 75, 8, 11, 187, 128, 11, 4, 154,  
248, 155, 0, 180, 91, 139, 4, 180, 64, 0, 187, 176, 11, 139, 187, 0, 136, 180, 75, 73,  
68, 128, 0, 42, 75, 43, 180, 64, 64, 40, 155, 144, 0, 0, 64, 8, 128, 139, 177, 201,  
144, 132, 184, 9, 154, 170, 170, 153, 153, 139, 154, 152, 68, 68, 84, 176, 139, 187,  
152, 11,  
184, 155, 180, 0, 152, 187, 153, 74, 136, 136, 146, 176, 184, 8, 171, 132, 26, 144,  
137, 168,  
153, 187, 132, 0, 176, 72, 180, 136, 128, 136, 181, 74, 104, 70, 40, 217, 153, 154,  
172, 125,  
170, 168, 138, 64, 152, 136, 144, 128, 144, 136, 176, 187, 37, 72, 132, 187, 176, 0,  
8, 176,  
176, 187, 155, 154, 187, 11, 34, 41, 153, 8, 155, 187, 0, 68, 185, 21, 11, 185, 155,  
68,  
73, 175, 153, 152, 137, 153, 176, 185, 68, 69, 32, 153, 155, 68, 153, 176, 153, 148,  
180, 185,  
128, 8, 128, 8, 137, 154, 193, 28, 69, 176, 147, 248, 152, 64, 0, 0, 139, 148, 75, 187,  
8, 69, 139, 8, 8, 0, 136, 0, 11, 136, 184, 0, 8, 0, 8, 0, 11, 0, 0, 0,  
136, 8, 184, 128, 184, 128, 8, 132, 64, 0, 128, 65, 40, 176, 0, 0, 0, 8, 187, 2,  
136, 128, 0, 0, 4, 11, 4, 0, 128, 136, 176, 0, 11, 0, 184, 184, 0, 176, 144, 8,

144, 128, 0, 0, 0, 0, 128, 64, 4, 91, 146, 185, 132, 137, 169, 153, 73, 73, 154, 250,  
169, 153, 153, 153, 26, 153, 152, 153, 130, 41, 172, 169, 137, 153, 136, 176, 4, 64,  
155, 139,  
187, 91, 144, 64, 64, 9, 8, 128, 185, 247, 185, 149, 43, 154, 115, 43, 11, 145, 75,  
153,  
180, 11, 185, 162, 68, 0, 176, 8, 250, 152, 144, 0, 187, 136, 148, 137, 64, 32, 185,  
132,  
169, 136, 139, 4, 75, 184, 4, 66, 89, 184, 176, 176, 9, 90, 105, 11, 136, 139, 176, 0,  
187, 128, 0, 66, 148, 75, 185, 152, 68, 200, 85, 144, 11, 144, 64, 153, 137, 64, 12,  
25,  
160, 0, 73, 137, 137, 172, 239, 170, 154, 162, 139, 41, 68, 75, 68, 64, 180, 68, 36, 0,  
187, 72, 0, 148, 64, 74, 52, 168, 0, 73, 148, 176, 160, 8, 42, 176, 68, 64, 139, 73,  
64, 0, 37, 0, 144, 138, 170, 8, 128, 8, 75, 75, 187, 75, 184, 75, 185, 153, 154, 172,  
168, 137, 132, 36, 152, 185, 9, 11, 184, 8, 184, 185, 32, 11, 0, 136, 8, 0, 9, 184,  
144, 176, 11, 155, 187, 187, 4, 4, 64, 187, 139, 187, 187, 185, 155, 148, 11, 185,  
152, 187,  
146, 175, 169, 153, 148, 153, 148, 64, 153, 153, 0, 11, 148, 187, 164, 184, 153, 73,  
34, 64,  
176, 176, 187, 136, 9, 146, 175, 102, 207, 148, 10, 152, 90, 144, 168, 128, 187, 128,  
176, 136,  
0, 4, 0, 0, 0, 72, 128, 176, 0, 136, 8, 8, 0, 11, 128, 0, 0, 0, 136, 0,  
128, 0, 0, 8, 91, 0, 0, 185, 0, 8, 0, 156, 155, 0, 0, 128, 128, 72, 11, 9,  
0, 128, 128, 128, 0, 0, 4, 73, 11, 8, 0, 75, 176, 8, 152, 139, 4, 185, 208, 0,  
148, 0, 152, 64, 72, 0, 176, 64, 0, 168, 81, 155, 73, 132, 106, 137, 146, 187, 156,  
201,  
153, 153, 41, 73, 146, 41, 155, 155, 176, 185, 138, 168, 136, 153, 144, 180, 0, 68,  
187, 139,  
68, 16, 186, 187, 68, 11, 139, 176, 82, 42, 176, 2, 155, 154, 252, 128, 152, 149, 11,  
185,  
176, 155, 187, 63, 73, 194, 64, 128, 194, 136, 144, 152, 136, 137, 42, 153, 137, 144,  
153, 137,  
136, 169, 184, 187, 152, 144, 75, 47, 25, 137, 11, 8, 74, 152, 168, 176, 154, 185, 4,  
68,



73, 185, 0, 64, 154, 136, 137, 152, 0, 153, 185, 152, 176, 180, 68, 136, 152, 0, 139,  
4,  
53, 4, 73, 139, 154, 174, 126, 250, 172, 229, 64, 36, 0, 0, 4, 130, 187, 75, 4, 9,  
128, 187, 0, 128, 185, 180, 146, 91, 4, 72, 4, 187, 72, 8, 43, 68, 180, 64, 139, 68,  
11, 72, 130, 184, 139, 8, 72, 8, 184, 180, 153, 144, 0, 9, 152, 137, 153, 153, 154,  
138,  
153, 136, 0, 11, 187, 180, 137, 68, 184, 132, 8, 159, 251, 155, 64, 11, 0, 136, 139,  
139,  
152, 75, 75, 73, 176, 185, 178, 64, 187, 184, 152, 187, 11, 187, 176, 64, 187, 187,  
153, 153,  
146, 166, 154, 171, 41, 171, 73, 9, 132, 68, 8, 144, 176, 75, 68, 144, 68, 4, 80, 11,  
128, 0, 0, 128, 187, 146, 172, 246, 26, 144, 137, 153, 136, 0, 34, 139, 128, 137, 128,  
176,  
0, 0, 132, 0, 0, 128, 8, 0, 8, 0, 9, 0, 128, 187, 185, 11, 185, 128, 0, 0,  
8, 128, 178, 184, 176, 8, 128, 0, 0, 128, 8, 139, 136, 8, 0, 128, 68, 180, 64, 8,  
8, 8, 132, 176, 4, 8, 2, 64, 4, 128, 0, 9, 8, 136, 139, 180, 4, 138, 212, 8,  
139, 0, 8, 132, 0, 0, 139, 144, 132, 144, 73, 152, 180, 184, 169, 153, 148, 137, 170,  
201,  
169, 169, 148, 41, 169, 40, 152, 139, 75, 148, 186, 152, 153, 136, 148, 64, 0, 136, 9,  
132,  
178, 187, 153, 75, 2, 64, 4, 11, 4, 164, 176, 0, 130, 68, 132, 9, 139, 75, 75, 187,  
130, 144, 11, 130, 137, 239, 9, 9, 155, 152, 180, 139, 8, 139, 185, 169, 72, 36, 90,  
153,  
186, 128, 73, 137, 11, 0, 187, 42, 251, 136, 184, 137, 180, 144, 8, 155, 143, 187,  
128, 64,  
73, 184, 187, 184, 178, 132, 72, 136, 11, 73, 72, 136, 136, 154, 244, 10, 155, 139, 8,  
9,  
153, 187, 153, 128, 9, 175, 237, 250, 168, 34, 34, 73, 68, 68, 72, 184, 180, 187, 75,  
69,  
0, 176, 180, 0, 185, 132, 130, 160, 72, 11, 0, 41, 128, 136, 153, 68, 68, 43, 0, 0,  
11, 153, 137, 146, 0, 0, 8, 0, 11, 185, 155, 128, 187, 8, 155, 161, 155, 153, 154, 136,  
175, 187, 41, 176, 187, 185, 137, 9, 95, 137, 128, 138, 250, 73, 180, 154, 144, 0,  
128, 8,

128, 11, 34, 152, 187, 176, 187, 185, 187, 180, 136, 0, 187, 176, 9, 187, 11, 148, 74,  
185,  
90, 205, 90, 169, 162, 162, 162, 139, 178, 64, 17, 180, 155, 68, 170, 4, 75, 64, 153,  
64,  
144, 11, 0, 136, 185, 9, 172, 99, 220, 88, 152, 136, 137, 128, 145, 136, 0, 136, 8,  
137,  
0, 185, 132, 0, 9, 8, 137, 128, 0, 8, 132, 8, 0, 0, 128, 0, 139, 0, 128, 0,  
0, 176, 180, 2, 144, 0, 136, 0, 0, 132, 0, 187, 11, 10, 0, 9, 64, 146, 8, 176,  
152, 155, 11, 0, 0, 0, 0, 64, 176, 176, 72, 11, 0, 178, 73, 139, 75, 8, 64, 136,  
128, 0, 11, 128, 128, 0, 0, 176, 128, 144, 8, 187, 68, 155, 153, 153, 153, 41, 138,  
201,  
154, 41, 153, 73, 153, 153, 136, 136, 187, 187, 74, 137, 136, 153, 128, 176, 73, 8,  
11, 36,  
73, 187, 75, 128, 4, 64, 0, 0, 2, 152, 184, 0, 144, 154, 139, 9, 144, 176, 187, 68,  
9, 139, 0, 0, 128, 41, 25, 9, 137, 75, 180, 152, 8, 128, 152, 148, 72, 159, 105, 184,  
185, 0, 4, 148, 180, 178, 153, 136, 73, 137, 11, 153, 64, 64, 128, 136, 136, 75, 4, 11,  
74, 149, 186, 187, 137, 4, 185, 155, 11, 153, 155, 176, 8, 154, 20, 159, 220, 169,  
138, 154,  
136, 148, 11, 153, 73, 172, 252, 170, 153, 75, 68, 4, 144, 75, 105, 4, 180, 187, 68,  
36,  
68, 128, 155, 64, 8, 185, 153, 64, 4, 4, 66, 248, 152, 137, 136, 4, 185, 186, 136, 0,  
128, 73, 174, 169, 0, 0, 4, 176, 8, 9, 152, 137, 136, 9, 136, 154, 144, 153, 152, 184,  
166, 176, 139, 9, 176, 0, 136, 136, 130, 105, 66, 137, 153, 152, 64, 204, 184, 132,  
185, 187,  
0, 132, 180, 187, 187, 187, 0, 73, 148, 106, 155, 184, 11, 75, 187, 180, 187, 155, 36,  
153,  
170, 198, 26, 202, 170, 106, 105, 153, 66, 185, 153, 187, 187, 68, 36, 64, 180, 4,  
136, 0,  
75, 72, 0, 128, 176, 73, 172, 243, 61, 201, 136, 176, 136, 128, 0, 184, 0, 8, 0, 187,  
166, 136, 176, 8, 11, 132, 153, 8, 0, 0, 0, 11, 152, 128, 0, 9, 128, 8, 139, 0,  
64, 64, 176, 4, 0, 128, 128, 0, 0, 0, 136, 8, 11, 0, 136, 0, 4, 162, 72, 0,  
128, 187, 11, 0, 176, 0, 0, 9, 36, 144, 0, 187, 64, 148, 173, 152, 0, 68, 144, 139,  
0, 8, 8, 0, 128, 8, 4, 64, 132, 64, 0, 75, 11, 187, 187, 132, 146, 187, 186, 201,

153, 153, 153, 185, 153, 152, 153, 139, 180, 187, 138, 153, 152, 185, 75, 176, 11,  
144, 176, 152,  
139, 187, 75, 187, 176, 36, 64, 180, 76, 162, 148, 8, 152, 152, 148, 150, 248, 128,  
241, 100,  
5, 187, 9, 155, 73, 176, 168, 137, 168, 9, 139, 136, 137, 185, 171, 9, 250, 137, 155,  
187,  
0, 0, 10, 75, 161, 95, 137, 136, 162, 155, 128, 139, 0, 0, 8, 153, 187, 64, 139, 0,  
152, 72, 153, 64, 75, 153, 187, 184, 187, 187, 139, 176, 136, 132, 84, 158, 122, 169,  
137, 137,  
152, 187, 184, 144, 180, 156, 218, 169, 136, 128, 75, 178, 187, 4, 68, 4, 128, 9, 75,  
176,  
0, 27, 148, 137, 139, 187, 180, 184, 4, 64, 9, 24, 89, 152, 155, 144, 42, 64, 75, 64,  
185, 36, 138, 153, 184, 4, 64, 180, 8, 8, 136, 9, 187, 136, 139, 153, 153, 128, 136,  
176,  
170, 155, 137, 136, 187, 176, 145, 128, 9, 106, 187, 152, 153, 148, 9, 185, 153, 180,  
176, 155,  
136, 11, 187, 185, 176, 43, 72, 176, 178, 164, 155, 187, 187, 11, 180, 153, 73, 153,  
154, 42,  
165, 195, 85, 26, 170, 245, 89, 153, 187, 153, 155, 153, 176, 68, 68, 0, 128, 186,  
155, 4,  
8, 176, 64, 0, 11, 2, 92, 222, 227, 194, 152, 0, 128, 75, 11, 0, 0, 128, 128, 0,  
2, 187, 0, 8, 176, 133, 171, 0, 0, 0, 11, 176, 128, 176, 8, 8, 128, 8, 128, 0,  
0, 0, 2, 0, 128, 128, 8, 8, 0, 128, 0, 0, 0, 128, 176, 11, 0, 11, 180, 0,  
8, 9, 176, 11, 165, 128, 64, 2, 34, 148, 9, 0, 64, 68, 4, 139, 180, 72, 11, 184,  
8, 0, 0, 0, 136, 0, 9, 68, 68, 0, 68, 0, 139, 152, 139, 132, 146, 43, 186, 169,  
136, 153, 187, 155, 153, 152, 153, 187, 68, 68, 138, 137, 136, 68, 75, 2, 64, 153,  
176, 155,  
180, 187, 153, 11, 181, 52, 73, 144, 187, 185, 155, 4, 152, 153, 164, 202, 169, 66,  
153, 36,  
66, 4, 73, 153, 9, 153, 176, 184, 152, 9, 75, 136, 152, 184, 75, 9, 58, 136, 153, 132,  
152, 128, 184, 137, 105, 153, 139, 184, 139, 187, 4, 176, 176, 187, 155, 137, 180,  
75, 11, 139,

11, 187, 137, 155, 11, 148, 144, 187, 11, 137, 137, 139, 0, 11, 187, 175, 201, 152,  
152, 152,  
137, 187, 128, 132, 73, 44, 200, 136, 139, 66, 139, 180, 75, 0, 144, 64, 180, 0, 187,  
0,  
4, 136, 144, 128, 187, 11, 4, 176, 64, 155, 185, 152, 168, 133, 153, 184, 172, 0, 187,  
155,  
68, 68, 153, 139, 139, 0, 148, 153, 184, 68, 0, 0, 185, 184, 187, 155, 73, 137, 143,  
72,  
128, 152, 136, 8, 137, 139, 167, 200, 176, 250, 180, 184, 138, 148, 68, 146, 148, 66,  
75, 139,  
11, 180, 43, 11, 11, 75, 187, 0, 11, 36, 75, 0, 153, 187, 9, 178, 153, 153, 169, 44,  
197, 99, 193, 197, 85, 90, 41, 155, 74, 155, 153, 152, 75, 68, 180, 11, 64, 185, 187,  
187,  
128, 0, 8, 8, 9, 153, 172, 254, 125, 245, 153, 8, 176, 4, 176, 0, 128, 176, 0, 128,  
132, 184, 0, 0, 128, 11, 128, 0, 8, 144, 0, 0, 0, 0, 0, 176, 8, 128, 0, 0,  
128, 128, 132, 176, 0, 0, 184, 128, 136, 8, 152, 152, 136, 4, 176, 9, 0, 128, 9, 0,  
0, 4, 0, 187, 187, 128, 0, 146, 82, 153, 72, 4, 64, 0, 176, 176, 64, 0, 11, 0,  
8, 9, 0, 128, 0, 0, 0, 68, 9, 11, 4, 11, 139, 201, 155, 187, 153, 187, 185, 169,  
152, 180, 68, 155, 185, 184, 152, 68, 64, 64, 9, 185, 132, 185, 155, 180, 9, 136, 136,  
137,  
132, 0, 184, 144, 148, 36, 68, 155, 187, 8, 153, 9, 154, 153, 154, 170, 34, 36, 155,  
128,  
6, 162, 36, 136, 137, 155, 11, 9, 128, 180, 176, 136, 136, 8, 8, 186, 152, 155, 74,  
136,  
176, 128, 139, 64, 43, 156, 152, 0, 176, 184, 0, 8, 176, 155, 144, 128, 132, 11, 187,  
0,  
128, 4, 10, 155, 41, 171, 187, 0, 11, 176, 144, 11, 8, 242, 11, 153, 169, 137, 152,  
148,  
139, 9, 187, 68, 0, 146, 8, 137, 187, 4, 0, 43, 139, 181, 32, 68, 4, 180, 187, 176,  
75, 137, 0, 187, 32, 68, 176, 132, 68, 185, 12, 205, 169, 130, 198, 153, 171, 136,  
132, 187,  
73, 180, 72, 9, 152, 185, 153, 149, 184, 43, 8, 8, 185, 187, 185, 155, 185, 153, 175,  
155,

184, 136, 185, 139, 184, 128, 170, 146, 176, 152, 2, 69, 188, 36, 12, 169, 178, 36,  
75, 128,  
132, 9, 180, 184, 11, 68, 153, 8, 11, 139, 8, 152, 153, 155, 187, 153, 170, 41, 170,  
19,  
197, 243, 17, 17, 81, 82, 169, 153, 169, 155, 153, 155, 139, 153, 139, 187, 187, 155,  
11, 42,  
8, 64, 8, 0, 9, 136, 146, 99, 61, 245, 40, 8, 128, 72, 0, 176, 0, 68, 0, 0,  
0, 11, 0, 136, 8, 128, 128, 0, 8, 133, 32, 0, 11, 128, 128, 176, 136, 0, 0, 11,  
128, 136, 8, 64, 0, 11, 0, 0, 136, 8, 136, 128, 8, 11, 0, 11, 8, 136, 8, 0,  
144, 8, 75, 72, 11, 187, 8, 64, 153, 153, 187, 0, 64, 64, 64, 180, 4, 0, 0, 0,  
10, 148, 64, 176, 2, 0, 178, 64, 9, 0, 180, 73, 186, 152, 139, 11, 155, 68, 34, 168,  
136, 136, 187, 187, 187, 139, 136, 68, 64, 75, 73, 186, 152, 148, 187, 0, 187, 128,  
11, 152,  
187, 187, 184, 176, 75, 68, 64, 185, 185, 180, 187, 138, 154, 170, 204, 170, 170, 18,  
184, 8,  
8, 0, 32, 132, 164, 128, 187, 184, 144, 11, 8, 8, 152, 9, 184, 67, 152, 4, 137, 139,  
136, 75, 9, 155, 152, 139, 187, 155, 176, 187, 132, 139, 139, 152, 184, 187, 139, 9,  
11, 128,  
72, 132, 44, 34, 41, 185, 176, 187, 4, 64, 148, 184, 154, 57, 128, 138, 152, 137, 148,  
11,  
139, 180, 132, 4, 187, 187, 11, 66, 185, 65, 66, 41, 184, 69, 11, 153, 72, 4, 0, 180,  
11, 64, 0, 73, 84, 0, 0, 187, 11, 43, 137, 161, 153, 136, 172, 137, 136, 136, 144, 75,  
187, 184, 11, 153, 89, 137, 152, 41, 11, 180, 41, 11, 8, 176, 185, 153, 8, 153, 148,  
153,  
73, 64, 139, 68, 176, 128, 139, 4, 2, 137, 136, 8, 38, 36, 157, 104, 85, 66, 11, 128,  
180, 187, 73, 155, 0, 185, 185, 0, 176, 9, 11, 154, 138, 36, 180, 169, 146, 154, 170,  
81,  
241, 99, 97, 17, 85, 82, 42, 162, 42, 164, 185, 187, 180, 152, 11, 34, 18, 0, 0, 154,  
11, 155, 0, 0, 136, 136, 146, 29, 221, 26, 91, 176, 144, 11, 0, 139, 0, 0, 0, 136,  
0, 9, 128, 8, 139, 8, 0, 0, 0, 174, 192, 176, 176, 128, 0, 128, 136, 176, 0, 0,  
176, 128, 8, 0, 11, 72, 0, 8, 0, 0, 136, 8, 136, 4, 0, 4, 176, 184, 136, 176,  
132, 0, 128, 144, 11, 0, 139, 68, 43, 73, 144, 0, 4, 4, 36, 45, 160, 0, 8, 0,  
136, 32, 9, 9, 64, 0, 128, 0, 11, 64, 176, 0, 10, 128, 11, 75, 180, 43, 186, 153,

137, 153, 187, 187, 11, 11, 146, 176, 11, 75, 187, 187, 136, 185, 139, 0, 75, 144,  
184, 137,  
139, 137, 139, 187, 176, 180, 68, 184, 137, 34, 41, 138, 172, 172, 204, 202, 154, 84,  
0, 4,  
152, 132, 8, 152, 155, 68, 75, 176, 0, 176, 128, 153, 187, 4, 137, 75, 137, 72, 155,  
152,  
0, 82, 177, 148, 0, 128, 132, 41, 187, 139, 146, 75, 8, 155, 9, 11, 0, 8, 11, 185,  
44, 0, 152, 81, 89, 171, 176, 41, 73, 72, 170, 184, 132, 187, 160, 66, 152, 139, 11,  
148,  
144, 187, 128, 0, 187, 132, 176, 166, 32, 180, 20, 75, 8, 4, 152, 176, 0, 9, 68, 32,  
11, 176, 11, 136, 155, 155, 4, 139, 64, 171, 185, 153, 153, 136, 8, 128, 187, 72, 148,  
11,  
155, 176, 73, 254, 82, 155, 128, 132, 64, 176, 176, 155, 187, 43, 153, 153, 137, 153,  
137, 184,  
187, 184, 187, 0, 10, 176, 11, 187, 128, 186, 153, 136, 153, 8, 154, 144, 0, 64, 136,  
75,  
68, 139, 73, 176, 176, 185, 187, 176, 8, 185, 139, 137, 153, 171, 74, 154, 170, 90,  
85, 204,  
102, 99, 102, 97, 21, 85, 165, 170, 166, 25, 153, 185, 185, 152, 176, 69, 64, 9, 136,  
137,  
184, 180, 75, 136, 144, 0, 66, 95, 111, 252, 41, 187, 139, 0, 8, 0, 0, 9, 128, 128,  
137, 0, 128, 8, 128, 9, 11, 0, 176, 130, 0, 176, 0, 8, 0, 136, 9, 0, 11, 66,  
0, 8, 8, 0, 0, 0, 0, 0, 136, 0, 128, 8, 8, 0, 11, 9, 9, 128,  
178, 176, 0, 8, 180, 4, 144, 4, 176, 187, 0, 128, 64, 68, 187, 77, 160, 0, 153, 176,  
132, 75, 64, 132, 0, 4, 187, 11, 11, 0, 128, 176, 9, 132, 9, 155, 9, 185, 137, 169,  
153, 136, 184, 139, 187, 68, 69, 64, 185, 155, 11, 180, 185, 137, 152, 185, 11, 185,  
155, 184,  
152, 171, 144, 139, 180, 64, 64, 139, 180, 64, 155, 170, 161, 170, 170, 169, 154,  
144, 185, 66,  
0, 178, 153, 136, 128, 2, 155, 128, 75, 8, 128, 11, 4, 132, 75, 64, 8, 136, 153, 144,  
64, 144, 128, 64, 185, 128, 138, 137, 187, 0, 148, 73, 27, 184, 175, 152, 180, 128, 9,  
5,

215, 144, 185, 33, 53, 200, 36, 146, 72, 153, 239, 73, 187, 68, 72, 66, 27, 187, 0,  
184,  
11, 187, 137, 187, 137, 149, 152, 66, 43, 146, 64, 0, 137, 76, 170, 136, 139, 138, 41,  
152,  
128, 4, 0, 136, 11, 152, 165, 8, 0, 75, 64, 185, 170, 136, 8, 128, 139, 137, 132, 186,  
73, 64, 68, 206, 94, 153, 185, 176, 176, 11, 4, 139, 41, 68, 137, 154, 128, 185, 137,  
176,  
0, 4, 0, 0, 152, 152, 0, 11, 187, 186, 137, 152, 152, 136, 148, 64, 4, 187, 0, 148,  
75, 185, 64, 11, 176, 180, 187, 0, 9, 137, 152, 152, 187, 185, 185, 170, 202, 204,  
193, 246,  
102, 62, 51, 97, 21, 85, 85, 170, 172, 162, 153, 185, 155, 187, 155, 145, 153, 75, 8,  
136,  
9, 139, 15, 41, 4, 11, 73, 37, 252, 252, 41, 184, 176, 128, 155, 176, 8, 68, 201, 128,  
186, 75, 64, 0, 8, 132, 4, 0, 0, 11, 176, 139, 0, 8, 128, 8, 152, 0, 176, 8,  
8, 136, 128, 128, 128, 136, 0, 72, 0, 0, 0, 0, 11, 64, 0, 8, 185, 187, 8, 128,  
132, 0, 0, 11, 0, 11, 153, 128, 144, 187, 176, 144, 64, 68, 9, 153, 75, 193, 75, 148,  
0, 11, 0, 0, 176, 43, 128, 185, 8, 184, 4, 64, 8, 11, 137, 11, 73, 139, 73, 169,  
137, 138, 148, 187, 180, 186, 155, 32, 73, 75, 178, 11, 187, 8, 138, 57, 176, 132,  
139, 146,  
153, 198, 185, 187, 36, 176, 0, 176, 187, 144, 170, 170, 90, 42, 153, 40, 153, 155,  
137, 144,  
11, 153, 153, 136, 136, 180, 11, 132, 11, 128, 0, 180, 11, 0, 139, 176, 73, 41, 185,  
137,  
180, 8, 155, 152, 146, 72, 155, 157, 192, 4, 68, 185, 57, 168, 156, 136, 138, 64, 4, 9,  
172, 36, 2, 37, 172, 164, 32, 187, 11, 153, 252, 0, 138, 34, 10, 11, 0, 73, 68, 187,  
8, 137, 180, 68, 185, 139, 153, 11, 176, 153, 36, 4, 185, 87, 170, 153, 155, 72, 153,  
32,  
11, 64, 139, 0, 146, 0, 180, 184, 186, 64, 185, 152, 137, 169, 154, 152, 185, 136,  
185, 185,  
89, 68, 187, 146, 137, 11, 72, 75, 180, 180, 8, 9, 148, 64, 9, 137, 11, 72, 176, 4,  
128, 136, 187, 11, 64, 8, 187, 0, 185, 9, 152, 136, 137, 73, 148, 64, 186, 34, 128,  
130,

68, 178, 0, 0, 11, 152, 176, 180, 153, 185, 152, 187, 64, 40, 156, 121, 172, 193, 255,  
246,  
211, 55, 51, 102, 17, 17, 81, 85, 37, 162, 73, 146, 176, 187, 146, 153, 148, 187, 187,  
0,  
144, 8, 180, 64, 0, 152, 11, 37, 85, 194, 36, 64, 75, 11, 0, 0, 136, 77, 124, 155,  
146, 4, 0, 8, 0, 128, 8, 184, 136, 184, 176, 136, 0, 9, 184, 9, 136, 136, 0, 128,  
8, 0, 4, 8, 128, 0, 0, 0, 0, 9, 130, 32, 139, 128, 153, 136, 136, 128, 128,  
9, 11, 72, 8, 0, 0, 9, 107, 128, 0, 132, 148, 68, 64, 75, 155, 180, 93, 155, 176,  
0, 176, 0, 0, 4, 176, 130, 11, 137, 136, 180, 184, 136, 128, 176, 148, 136, 0, 9, 153,  
153, 137, 184, 11, 132, 184, 144, 176, 178, 180, 64, 187, 139, 73, 130, 169, 176,  
187, 11, 68,  
152, 154, 152, 176, 75, 75, 176, 187, 176, 180, 155, 137, 162, 75, 153, 136, 137,  
136, 152, 8,  
9, 154, 136, 152, 184, 128, 184, 144, 184, 136, 0, 0, 0, 11, 72, 0, 73, 152, 184, 128,  
152, 136, 128, 128, 11, 132, 184, 128, 64, 155, 9, 153, 72, 170, 152, 132, 187, 181,  
4, 0,  
74, 137, 187, 36, 202, 176, 64, 187, 144, 137, 68, 187, 189, 25, 72, 176, 187, 64,  
178, 176,  
136, 64, 68, 84, 72, 4, 152, 75, 128, 149, 4, 34, 0, 137, 155, 152, 8, 0, 0, 0,  
139, 80, 11, 0, 207, 73, 187, 64, 4, 74, 16, 184, 137, 152, 169, 168, 184, 184, 8, 187,  
41, 136, 155, 68, 4, 137, 180, 11, 0, 139, 11, 42, 148, 8, 153, 168, 139, 0, 187, 176,  
144, 152, 136, 136, 139, 11, 185, 180, 132, 8, 137, 11, 136, 73, 0, 68, 5, 238, 0, 137,  
187, 155, 187, 153, 144, 176, 155, 186, 185, 137, 171, 180, 155, 169, 153, 170, 172,  
207, 22, 211,  
62, 231, 51, 109, 102, 97, 21, 82, 41, 162, 178, 155, 187, 187, 187, 191, 122, 187,  
64, 155,  
139, 155, 11, 0, 0, 128, 184, 130, 42, 162, 80, 176, 176, 0, 176, 8, 187, 186, 250,  
152,  
144, 139, 11, 8, 128, 0, 8, 132, 0, 8, 180, 0, 187, 9, 0, 136, 132, 176, 11, 0,  
153, 144, 0, 64, 176, 8, 137, 139, 8, 136, 8, 199, 216, 187, 153, 9, 187, 0, 185, 0,  
128, 176, 0, 176, 11, 0, 4, 203, 0, 0, 0, 4, 68, 0, 11, 139, 8, 168, 152, 11,  
0, 176, 0, 8, 139, 0, 180, 176, 184, 136, 186, 152, 136, 0, 144, 153, 75, 180, 186,  
152,



137, 152, 0, 184, 169, 137, 11, 187, 9, 36, 11, 184, 36, 176, 139, 184, 139, 75, 72,  
11,  
152, 153, 155, 4, 68, 68, 0, 0, 11, 0, 68, 187, 162, 155, 8, 128, 187, 184, 139, 137,  
205, 138, 137, 136, 153, 41, 189, 208, 153, 185, 11, 148, 0, 139, 187, 128, 64, 11,  
187, 184,  
128, 136, 0, 136, 0, 128, 152, 184, 64, 11, 8, 153, 128, 171, 136, 187, 0, 180, 2, 186,  
148, 72, 185, 154, 25, 155, 148, 187, 8, 176, 36, 4, 37, 137, 11, 187, 187, 64, 185, 8,  
9, 144, 9, 4, 9, 68, 176, 32, 0, 130, 68, 155, 68, 185, 75, 128, 66, 148, 180, 8,  
146, 11, 0, 184, 144, 11, 148, 4, 32, 74, 16, 144, 153, 154, 173, 249, 204, 136, 72,  
64,  
139, 155, 9, 64, 75, 0, 0, 8, 0, 0, 9, 175, 187, 136, 185, 152, 184, 176, 75, 185,  
128, 139, 153, 153, 11, 11, 176, 4, 36, 185, 13, 89, 152, 187, 4, 11, 146, 204, 144,  
153,  
73, 185, 187, 185, 155, 0, 11, 144, 201, 137, 153, 185, 153, 153, 153, 146, 172, 246,  
214, 62,  
119, 119, 119, 227, 214, 21, 82, 34, 162, 162, 36, 187, 185, 68, 155, 159, 234, 180,  
176, 191,  
4, 8, 139, 176, 136, 144, 0, 137, 66, 154, 36, 178, 0, 11, 0, 8, 180, 10, 155, 139,  
0, 132, 0, 0, 64, 8, 64, 0, 0, 73, 0, 0, 0, 137, 8, 8, 180, 11, 148, 144,  
136, 128, 0, 64, 0, 0, 0, 128, 137, 152, 137, 157, 201, 34, 152, 8, 0, 0, 189, 144,  
0, 64, 137, 0, 8, 176, 128, 32, 0, 128, 176, 4, 68, 4, 75, 8, 8, 152, 128, 139,  
0, 75, 11, 152, 176, 11, 4, 11, 176, 0, 147, 248, 136, 5, 40, 152, 184, 187, 10, 136,  
137, 75, 9, 153, 168, 148, 187, 176, 185, 36, 73, 188, 226, 8, 64, 75, 148, 43, 176, 9,  
75, 152, 187, 2, 0, 0, 0, 0, 11, 68, 139, 187, 132, 187, 11, 139, 144, 68, 185, 137,  
170, 40, 153, 139, 170, 220, 140, 192, 139, 0, 0, 64, 176, 184, 64, 11, 176, 153, 139,  
176,  
8, 132, 4, 64, 176, 4, 184, 153, 152, 137, 11, 144, 184, 137, 138, 148, 0, 0, 2, 187,  
153, 8, 144, 177, 96, 4, 41, 98, 73, 180, 11, 68, 73, 155, 68, 136, 144, 8, 136, 75,  
139, 176, 176, 11, 64, 64, 148, 11, 73, 180, 4, 168, 136, 8, 88, 128, 73, 180, 10, 155,  
139, 139, 68, 36, 75, 73, 36, 184, 64, 4, 40, 139, 187, 137, 157, 122, 36, 187, 98,  
187,  
156, 219, 187, 0, 185, 137, 137, 139, 176, 144, 153, 197, 155, 11, 11, 169, 136, 9,  
137, 187,

8, 152, 153, 136, 176, 176, 176, 180, 96, 75, 146, 146, 137, 176, 8, 8, 29, 148, 155,  
144,  
152, 152, 11, 187, 152, 128, 136, 139, 249, 153, 137, 169, 185, 153, 153, 170, 172,  
255, 211, 62,  
119, 119, 119, 119, 223, 17, 21, 170, 146, 153, 153, 68, 187, 153, 146, 154, 171, 68,  
176, 180,  
176, 128, 128, 8, 128, 139, 180, 184, 132, 153, 34, 64, 0, 11, 0, 187, 0, 187, 68, 0,  
0, 128, 0, 11, 68, 64, 0, 0, 128, 136, 0, 0, 0, 0, 0, 8, 128, 11, 187, 0,  
136, 0, 0, 0, 128, 0, 184, 144, 9, 152, 176, 186, 11, 72, 152, 8, 0, 8, 132, 137,  
11, 0, 128, 176, 0, 128, 8, 137, 128, 0, 176, 176, 0, 68, 176, 11, 137, 138, 144, 184,  
68, 68, 136, 152, 73, 8, 144, 0, 128, 8, 154, 152, 176, 0, 153, 128, 132, 187, 11, 155,  
184, 180, 8, 137, 168, 170, 153, 128, 75, 43, 221, 79, 122, 185, 148, 4, 136, 0, 176,  
8,  
155, 187, 11, 187, 0, 176, 11, 4, 4, 187, 187, 155, 32, 0, 8, 171, 144, 0, 36, 9,  
132, 136, 139, 64, 74, 236, 185, 73, 152, 176, 64, 75, 0, 0, 139, 68, 68, 34, 73, 139,  
0, 0, 68, 8, 136, 9, 9, 243, 253, 164, 185, 0, 137, 155, 152, 128, 128, 144, 4, 176,  
8, 0, 187, 152, 136, 128, 12, 57, 11, 37, 68, 4, 73, 176, 155, 187, 176, 64, 11, 176,  
187, 184, 176, 0, 4, 75, 144, 64, 86, 68, 68, 139, 184, 4, 11, 148, 75, 180, 199, 203,  
139, 4, 36, 32, 11, 0, 72, 2, 148, 0, 176, 128, 139, 128, 138, 250, 153, 136, 91, 9,  
154, 27, 176, 176, 176, 181, 153, 137, 0, 32, 186, 207, 185, 168, 153, 139, 184, 184,  
187, 187,  
11, 187, 152, 128, 68, 11, 180, 4, 25, 187, 187, 149, 139, 75, 40, 152, 165, 41, 148,  
68,  
0, 0, 11, 155, 184, 11, 152, 137, 169, 155, 146, 153, 169, 170, 170, 170, 204, 207,  
221, 55,  
119, 119, 119, 119, 230, 102, 252, 85, 170, 169, 153, 156, 155, 155, 155, 73, 148,  
180, 155, 154,  
4, 176, 0, 187, 176, 11, 176, 11, 176, 154, 171, 64, 184, 139, 0, 0, 11, 8, 0, 128,  
0, 0, 64, 9, 68, 36, 8, 0, 128, 136, 0, 0, 128, 128, 184, 136, 176, 0, 11, 8,  
180, 128, 136, 128, 8, 0, 184, 128, 0, 136, 136, 137, 176, 0, 8, 8, 136, 137, 128, 144,  
8, 128, 139, 0, 0, 132, 0, 0, 0, 0, 11, 72, 180, 180, 0, 139, 184, 139, 155, 75,  
0, 0, 136, 136, 139, 176, 137, 11, 0, 0, 152, 155, 40, 11, 184, 176, 11, 0, 4, 144,  
4, 155, 187, 73, 194, 146, 155, 176, 4, 68, 28, 69, 169, 176, 41, 155, 8, 176, 0, 9,

152, 155, 64, 176, 155, 11, 184, 75, 4, 5, 64, 171, 64, 187, 152, 180, 180, 0, 68, 4,  
187, 187, 184, 11, 74, 169, 185, 144, 137, 128, 0, 34, 187, 176, 137, 4, 66, 68, 152,  
0,  
0, 128, 73, 8, 136, 0, 152, 172, 231, 249, 154, 180, 153, 132, 139, 176, 11, 0, 4, 64,  
4, 11, 8, 148, 176, 132, 74, 89, 184, 68, 2, 43, 68, 0, 144, 180, 43, 187, 187, 180,  
186, 185, 176, 0, 4, 0, 187, 36, 149, 4, 152, 139, 75, 43, 187, 4, 187, 139, 35, 203,  
144, 178, 68, 36, 8, 11, 136, 70, 185, 185, 73, 128, 139, 136, 137, 169, 153, 128,  
155, 137,  
153, 139, 0, 180, 75, 187, 176, 155, 139, 84, 41, 255, 185, 11, 153, 153, 187, 2, 178,  
187,  
137, 187, 8, 132, 64, 176, 84, 11, 106, 155, 178, 153, 137, 184, 154, 40, 178, 146,  
146, 68,  
64, 155, 75, 66, 187, 75, 153, 186, 169, 170, 170, 220, 204, 255, 255, 102, 211, 222,  
55, 119,  
119, 119, 119, 119, 238, 51, 51, 102, 109, 255, 252, 202, 202, 170, 170, 185, 153,  
154, 148, 162,  
4, 132, 136, 176, 11, 0, 11, 184, 176, 155, 155, 64, 8, 152, 128, 176, 144, 0, 0, 11,  
8, 180, 0, 11, 2, 124, 4, 184, 176, 66, 0, 0, 128, 11, 0, 8, 0, 128, 9, 8,  
137, 176, 8, 144, 0, 4, 185, 128, 176, 0, 146, 11, 0, 185, 139, 0, 136, 136, 0, 184,  
8, 0, 128, 132, 0, 176, 0, 0, 0, 8, 139, 64, 152, 0, 176, 176, 187, 148, 75, 139,  
0, 8, 139, 136, 180, 187, 136, 0, 0, 4, 74, 84, 155, 136, 152, 0, 11, 64, 250, 155,  
4, 155, 68, 68, 42, 247, 95, 89, 187, 180, 178, 187, 152, 187, 187, 11, 8, 128, 176,  
137,  
40, 75, 187, 68, 176, 11, 139, 0, 11, 0, 184, 176, 187, 184, 152, 0, 176, 176, 4, 0,  
0, 187, 132, 64, 148, 184, 11, 0, 152, 176, 75, 68, 9, 137, 153, 133, 68, 73, 153, 0,  
128, 144, 153, 152, 144, 0, 9, 154, 215, 201, 152, 64, 136, 155, 0, 132, 0, 4, 180, 0,  
0, 136, 176, 4, 0, 128, 11, 176, 185, 176, 64, 68, 72, 4, 10, 169, 105, 144, 148, 36,  
153, 74, 8, 128, 128, 155, 75, 4, 0, 0, 155, 64, 64, 0, 11, 139, 34, 180, 149, 139,  
176, 176, 4, 73, 128, 152, 154, 9, 32, 73, 176, 8, 187, 144, 137, 136, 136, 180, 176,  
136,  
137, 139, 187, 176, 68, 0, 176, 11, 187, 0, 11, 170, 144, 185, 152, 201, 11, 149, 43,  
41,

187, 185, 176, 132, 11, 75, 68, 185, 155, 187, 180, 176, 72, 153, 247, 41, 132, 180,  
176, 4,  
68, 187, 11, 36, 187, 73, 36, 185, 153, 154, 153, 218, 154, 170, 204, 204, 97, 246,  
214, 62,  
119, 119, 119, 119, 51, 102, 17, 28, 202, 170, 154, 154, 169, 169, 153, 137, 153,  
155, 68, 68,  
8, 0, 72, 136, 152, 187, 0, 8, 0, 139, 139, 64, 8, 73, 0, 180, 0, 139, 8, 11,  
64, 136, 0, 185, 178, 242, 187, 152, 176, 11, 0, 128, 0, 136, 128, 8, 43, 128, 8, 184,  
152, 0, 11, 0, 0, 0, 153, 136, 0, 0, 155, 128, 187, 11, 144, 128, 152, 0, 136, 64,  
0, 0, 176, 64, 0, 8, 155, 0, 8, 64, 139, 0, 144, 139, 187, 128, 176, 11, 180, 187,  
155, 0, 8, 11, 180, 25, 187, 137, 139, 139, 154, 73, 75, 136, 128, 176, 0, 187, 84, 4,  
152, 187, 4, 155, 169, 254, 85, 201, 170, 32, 75, 11, 187, 139, 176, 0, 0, 176, 176,  
139,  
68, 187, 0, 9, 0, 176, 0, 144, 176, 9, 11, 176, 184, 139, 176, 11, 0, 8, 128, 180,  
4, 0, 137, 144, 9, 176, 11, 41, 144, 146, 153, 11, 4, 8, 138, 163, 32, 184, 153, 136,  
8, 4, 153, 136, 128, 0, 136, 130, 172, 169, 153, 176, 89, 184, 8, 5, 128, 64, 0, 11,  
139, 9, 164, 0, 0, 75, 43, 75, 8, 75, 68, 81, 27, 176, 66, 40, 43, 0, 13, 212,  
144, 159, 128, 4, 0, 32, 136, 11, 0, 155, 0, 144, 185, 9, 187, 153, 68, 11, 185, 148,  
176, 0, 4, 0, 176, 137, 159, 9, 196, 153, 9, 8, 136, 136, 9, 136, 153, 148, 176, 153,  
8, 176, 185, 187, 178, 89, 155, 153, 132, 75, 180, 153, 137, 250, 75, 152, 11, 153,  
153, 139,  
155, 9, 136, 152, 9, 11, 139, 155, 180, 155, 152, 68, 185, 137, 207, 32, 203, 155, 68,  
73,  
64, 180, 139, 146, 144, 45, 91, 9, 8, 154, 153, 155, 90, 170, 170, 170, 172, 193, 102,  
222,  
119, 119, 119, 126, 49, 17, 28, 42, 82, 170, 137, 138, 152, 152, 144, 187, 153, 187,  
4, 187,  
64, 136, 136, 136, 144, 64, 8, 8, 0, 41, 176, 11, 0, 0, 4, 153, 136, 8, 128, 0,  
132, 0, 0, 0, 132, 148, 0, 0, 0, 0, 128, 136, 0, 176, 0, 0, 8, 64, 0, 0,  
11, 0, 184, 128, 136, 136, 10, 8, 0, 252, 64, 0, 11, 0, 152, 144, 128, 0, 8, 176,  
0, 0, 176, 9, 133, 0, 187, 128, 9, 4, 0, 0, 176, 11, 11, 11, 64, 8, 176, 0,  
0, 136, 0, 11, 136, 66, 64, 9, 176, 130, 153, 184, 187, 9, 64, 8, 8, 137, 137, 73,

139, 180, 128, 187, 11, 156, 68, 36, 204, 11, 69, 64, 73, 187, 8, 8, 136, 176, 128,  
176,  
8, 139, 176, 66, 64, 128, 0, 8, 75, 144, 180, 0, 47, 155, 40, 136, 0, 136, 139, 0,  
0, 4, 4, 128, 0, 176, 8, 148, 0, 163, 171, 128, 136, 187, 136, 154, 187, 132, 137, 128,  
11, 9, 152, 153, 128, 0, 193, 34, 42, 153, 136, 180, 43, 144, 0, 8, 176, 0, 0, 64,  
8, 2, 152, 4, 4, 2, 155, 11, 139, 0, 68, 12, 80, 73, 153, 180, 64, 176, 178, 34,  
128, 144, 152, 136, 0, 11, 137, 153, 0, 32, 152, 152, 128, 136, 11, 148, 11, 187, 73,  
155,  
8, 132, 136, 9, 148, 136, 130, 64, 2, 64, 184, 9, 160, 155, 132, 136, 137, 66, 4, 72,  
152, 144, 137, 155, 180, 108, 148, 155, 144, 144, 11, 73, 153, 220, 72, 155, 187, 11,  
8, 176,  
185, 9, 136, 0, 128, 155, 187, 155, 73, 176, 84, 187, 11, 185, 2, 75, 148, 128, 196,  
153,  
8, 180, 187, 68, 187, 146, 176, 169, 187, 185, 9, 152, 152, 154, 146, 154, 204, 17,  
31, 109,  
119, 119, 119, 125, 111, 21, 85, 82, 34, 153, 185, 144, 153, 154, 0, 11, 171, 187,  
185, 187,  
0, 153, 136, 153, 160, 0, 8, 138, 176, 140, 90, 139, 4, 0, 0, 139, 0, 0, 4, 8,  
144, 176, 128, 180, 176, 32, 0, 0, 0, 184, 11, 176, 10, 32, 153, 136, 128, 144, 0, 0,  
0, 136, 0, 0, 9, 128, 0, 0, 11, 36, 0, 36, 11, 0, 11, 136, 11, 184, 152, 0,  
144, 8, 0, 137, 131, 32, 8, 176, 136, 132, 0, 9, 128, 176, 0, 128, 68, 64, 8, 160,  
72, 176, 184, 8, 0, 36, 68, 75, 9, 184, 139, 75, 187, 82, 32, 187, 11, 152, 132, 8,  
180, 72, 128, 176, 74, 152, 148, 185, 115, 180, 180, 187, 137, 187, 0, 187, 11, 184,  
0, 176,  
9, 155, 43, 0, 176, 187, 132, 139, 89, 11, 64, 43, 181, 187, 8, 11, 136, 185, 0, 4,  
68, 128, 178, 148, 187, 4, 9, 68, 136, 156, 153, 72, 152, 136, 180, 4, 0, 180, 153,  
155,  
68, 148, 75, 184, 128, 0, 185, 162, 145, 9, 136, 128, 0, 0, 9, 73, 148, 128, 0, 180,  
64, 185, 136, 176, 139, 68, 178, 32, 0, 4, 0, 133, 73, 153, 137, 68, 75, 187, 185, 148,  
0, 64, 32, 9, 66, 176, 181, 130, 194, 169, 73, 153, 152, 180, 0, 187, 176, 132, 185,  
152,  
152, 132, 185, 0, 68, 0, 137, 68, 152, 4, 0, 9, 0, 138, 203, 184, 0, 176, 0, 136,  
184, 155, 136, 153, 66, 41, 4, 137, 176, 0, 0, 128, 5, 164, 187, 180, 9, 137, 136, 144,

176, 136, 136, 136, 64, 0, 0, 0, 73, 0, 36, 41, 176, 187, 0, 155, 152, 155, 75, 153,  
139, 176, 9, 153, 128, 68, 187, 164, 187, 187, 184, 137, 252, 153, 154, 170, 197, 81,  
22, 109,  
62, 119, 126, 239, 245, 21, 82, 34, 41, 153, 152, 152, 153, 68, 4, 187, 152, 187, 0,  
176,  
152, 184, 152, 136, 176, 176, 8, 0, 72, 45, 254, 201, 185, 11, 8, 176, 75, 11, 128, 11,  
128, 0, 0, 136, 136, 64, 68, 0, 11, 2, 8, 176, 2, 32, 9, 136, 4, 105, 136, 0,  
136, 176, 136, 0, 136, 128, 184, 128, 0, 4, 0, 11, 187, 184, 0, 11, 139, 68, 184, 0,  
176, 139, 0, 136, 153, 68, 0, 128, 8, 75, 9, 139, 176, 176, 136, 11, 0, 0, 8, 18,  
180, 4, 8, 164, 4, 0, 64, 128, 176, 8, 139, 0, 186, 242, 0, 11, 0, 152, 148, 187,  
0, 136, 136, 180, 64, 137, 74, 74, 170, 185, 132, 0, 8, 132, 144, 136, 184, 176, 0, 8,  
128, 176, 155, 0, 0, 176, 128, 139, 152, 128, 148, 8, 148, 187, 184, 136, 8, 181, 187,  
4,  
138, 136, 41, 152, 152, 176, 8, 184, 139, 146, 152, 0, 137, 137, 176, 8, 187, 152,  
136, 185,  
73, 85, 75, 136, 176, 11, 72, 153, 180, 137, 136, 180, 68, 176, 137, 40, 139, 160, 9,  
139,  
8, 73, 155, 11, 9, 185, 85, 34, 64, 128, 9, 185, 169, 136, 133, 132, 0, 0, 185, 0,  
176, 187, 8, 128, 0, 8, 148, 187, 160, 8, 8, 153, 152, 132, 32, 4, 176, 11, 40, 8,  
137, 155, 180, 184, 148, 185, 153, 136, 136, 73, 184, 185, 132, 138, 27, 0, 0, 132, 0,  
64,  
154, 84, 136, 136, 9, 4, 148, 36, 9, 137, 153, 184, 180, 169, 184, 75, 176, 0, 139, 11,  
2, 152, 128, 11, 0, 153, 128, 128, 0, 9, 75, 185, 193, 187, 4, 153, 11, 154, 152, 152,  
176, 9, 8, 137, 139, 0, 185, 229, 187, 176, 153, 153, 239, 153, 169, 162, 37, 193, 17,  
253,  
221, 231, 237, 223, 204, 85, 37, 37, 34, 153, 146, 136, 153, 11, 64, 4, 155, 155, 187,  
155,  
11, 184, 152, 139, 136, 128, 0, 8, 8, 138, 199, 249, 153, 80, 187, 0, 176, 128, 0, 128,  
176, 8, 8, 0, 9, 155, 64, 8, 64, 178, 180, 64, 0, 176, 136, 137, 0, 152, 128, 184,  
128, 128, 0, 8, 8, 0, 152, 136, 0, 0, 0, 0, 128, 128, 180, 187, 180, 185, 11, 0,  
0, 128, 0, 11, 185, 128, 180, 176, 9, 64, 11, 9, 0, 0, 136, 184, 0, 187, 176, 184,  
176, 68, 176, 128, 0, 11, 176, 155, 176, 2, 64, 0, 0, 0, 4, 11, 148, 0, 185, 176,  
73, 64, 153, 75, 8, 128, 153, 144, 173, 203, 75, 180, 11, 11, 8, 180, 187, 184, 0, 139,

185, 0, 176, 176, 187, 180, 0, 144, 139, 153, 152, 169, 139, 187, 185, 0, 4, 75, 8, 15,  
15, 36, 9, 137, 152, 0, 176, 153, 155, 171, 132, 184, 153, 136, 176, 139, 73, 137,  
137, 187,  
139, 68, 11, 176, 0, 0, 137, 136, 178, 64, 0, 148, 34, 73, 157, 88, 180, 43, 137, 249,  
9, 8, 136, 8, 139, 74, 238, 68, 0, 137, 152, 66, 91, 185, 41, 176, 11, 0, 11, 72,  
0, 9, 144, 64, 68, 68, 176, 0, 153, 180, 72, 137, 139, 128, 68, 176, 11, 176, 176, 137,  
137, 187, 185, 185, 144, 74, 139, 185, 169, 153, 68, 132, 64, 8, 144, 137, 137, 128,  
0, 187,  
137, 40, 132, 72, 137, 132, 32, 184, 139, 8, 144, 152, 155, 168, 176, 187, 8, 136,  
136, 187,  
176, 184, 155, 0, 64, 153, 75, 75, 8, 8, 136, 186, 170, 75, 2, 155, 187, 4, 185, 152,  
136, 8, 136, 136, 64, 11, 148, 36, 196, 187, 187, 178, 170, 154, 153, 170, 172, 241,  
81, 22,  
109, 222, 223, 241, 85, 85, 162, 162, 36, 153, 155, 176, 176, 139, 152, 73, 187, 139,  
187, 185,  
11, 11, 136, 136, 144, 8, 8, 0, 137, 153, 156, 168, 161, 144, 75, 187, 0, 0, 0, 0,  
187, 40, 128, 0, 184, 128, 0, 11, 144, 128, 176, 64, 0, 8, 0, 187, 128, 8, 128, 8,  
139, 11, 136, 136, 0, 8, 154, 169, 9, 176, 176, 8, 0, 0, 8, 0, 0, 0, 0, 0,  
0, 8, 128, 8, 137, 132, 0, 11, 0, 64, 187, 4, 176, 0, 176, 0, 0, 11, 176, 8,  
176, 68, 11, 11, 11, 0, 0, 128, 176, 4, 176, 68, 0, 176, 4, 8, 128, 185, 40, 36,  
75, 64, 148, 0, 187, 148, 187, 184, 167, 216, 155, 180, 64, 176, 128, 9, 11, 184, 132,  
128,  
187, 139, 11, 180, 41, 176, 136, 184, 0, 137, 155, 136, 155, 8, 137, 8, 4, 9, 153, 15,  
64, 137, 128, 152, 137, 4, 75, 152, 75, 43, 187, 187, 132, 75, 176, 153, 155, 139,  
139, 0,  
128, 185, 73, 0, 176, 148, 184, 137, 73, 64, 0, 41, 155, 153, 169, 185, 4, 73, 176,  
201,  
9, 75, 136, 137, 152, 66, 108, 64, 0, 136, 128, 9, 84, 176, 11, 4, 11, 4, 11, 8,  
176, 185, 64, 0, 4, 176, 0, 72, 153, 0, 11, 128, 11, 155, 9, 180, 139, 68, 75, 11,  
148, 0, 136, 132, 153, 178, 187, 72, 128, 155, 136, 4, 128, 152, 128, 187, 137, 152,  
11, 187,  
145, 144, 9, 187, 170, 134, 84, 64, 184, 8, 136, 152, 169, 152, 155, 146, 75, 152,  
144, 187,

187, 187, 139, 187, 32, 185, 11, 66, 155, 152, 128, 185, 4, 84, 187, 152, 184, 187,  
156, 152,  
148, 8, 176, 11, 152, 187, 187, 185, 26, 155, 176, 181, 68, 153, 153, 42, 172, 197,  
81, 97,  
17, 99, 97, 97, 85, 85, 34, 36, 73, 185, 41, 160, 8, 153, 155, 11, 187, 176, 75, 184,  
0, 11, 136, 8, 0, 184, 8, 128, 136, 153, 154, 136, 146, 11, 10, 43, 11, 148, 0, 8,  
187, 136, 168, 11, 0, 0, 128, 136, 0, 8, 0, 0, 184, 37, 0, 0, 0, 0, 8, 0,  
152, 8, 0, 0, 0, 0, 136, 242, 176, 0, 0, 0, 0, 11, 11, 64, 0, 128, 0, 0,  
11, 8, 144, 128, 153, 185, 75, 0, 8, 8, 42, 8, 0, 155, 0, 139, 128, 176, 128, 4,  
64, 64, 8, 185, 64, 0, 72, 146, 192, 11, 0, 0, 0, 64, 176, 184, 176, 9, 4, 160,  
0, 4, 8, 184, 8, 139, 75, 184, 138, 171, 171, 176, 0, 136, 136, 148, 36, 75, 176, 176,  
0, 139, 187, 64, 36, 184, 128, 176, 8, 184, 153, 139, 8, 139, 178, 148, 0, 176, 136,  
180,  
4, 152, 176, 137, 136, 153, 185, 137, 137, 152, 72, 178, 132, 43, 187, 187, 72, 139,  
184, 184,  
4, 185, 132, 176, 176, 184, 0, 139, 128, 68, 144, 0, 155, 72, 180, 64, 68, 11, 187, 8,  
132, 11, 0, 11, 155, 148, 153, 8, 176, 128, 153, 185, 153, 139, 8, 64, 0, 180, 8, 4,  
68, 148, 184, 185, 139, 144, 4, 75, 168, 4, 148, 178, 8, 155, 139, 155, 139, 75, 0, 0,  
4, 0, 136, 176, 2, 11, 0, 184, 128, 144, 137, 155, 75, 64, 0, 33, 73, 139, 187, 180,  
191, 187, 0, 185, 153, 147, 196, 144, 75, 136, 8, 8, 137, 154, 162, 180, 0, 0, 180, 75,  
187, 180, 178, 75, 73, 139, 139, 4, 68, 0, 139, 185, 187, 75, 0, 139, 187, 180, 9, 153,  
128, 4, 152, 11, 144, 180, 155, 176, 176, 187, 11, 66, 153, 153, 9, 170, 172, 81, 17,  
17,  
17, 99, 17, 97, 85, 82, 82, 41, 73, 73, 155, 16, 136, 152, 180, 152, 155, 68, 11, 153,  
0, 0, 0, 176, 32, 9, 128, 128, 155, 152, 40, 136, 187, 187, 181, 192, 75, 64, 176, 8,  
155, 184, 0, 8, 128, 128, 187, 0, 4, 9, 176, 8, 11, 22, 0, 128, 0, 0, 128, 8,  
176, 8, 8, 0, 0, 128, 136, 185, 5, 196, 0, 0, 187, 10, 144, 144, 128, 136, 0, 0,  
0, 0, 0, 0, 137, 9, 84, 187, 176, 184, 11, 8, 176, 0, 136, 136, 176, 0, 176, 132,  
0, 184, 176, 8, 4, 0, 9, 138, 24, 187, 0, 11, 0, 176, 187, 184, 8, 185, 65, 192,  
0, 4, 8, 11, 176, 40, 187, 187, 74, 43, 153, 144, 187, 0, 136, 180, 178, 43, 139, 0,  
11, 176, 4, 4, 68, 8, 11, 8, 8, 187, 146, 136, 11, 185, 139, 137, 0, 64, 180, 184,  
0, 8, 185, 2, 0, 8, 185, 139, 155, 187, 68, 187, 180, 82, 64, 137, 137, 149, 43, 176,



133, 153, 132, 137, 152, 9, 152, 136, 176, 9, 128, 139, 176, 11, 182, 89, 139, 0, 68,  
184,  
144, 176, 187, 184, 171, 180, 176, 152, 8, 0, 11, 9, 41, 75, 139, 75, 176, 11, 11, 132,  
68, 26, 153, 152, 152, 139, 185, 146, 73, 11, 75, 0, 136, 180, 64, 11, 0, 0, 187, 68,  
64, 8, 184, 64, 180, 75, 128, 8, 187, 27, 8, 137, 185, 100, 8, 187, 80, 187, 41, 187,  
180, 11, 187, 144, 137, 178, 146, 187, 8, 8, 139, 136, 154, 142, 216, 155, 11, 4, 4,  
180,  
187, 148, 187, 180, 169, 43, 187, 137, 0, 0, 152, 11, 0, 75, 187, 128, 66, 187, 185,  
136,  
0, 11, 137, 128, 136, 187, 157, 64, 0, 185, 139, 187, 185, 186, 153, 169, 170, 172,  
222, 241,  
17, 99, 22, 21, 85, 37, 34, 32, 153, 153, 187, 180, 155, 153, 128, 137, 153, 176, 187,  
153,  
0, 0, 8, 185, 176, 8, 8, 0, 176, 168, 136, 187, 187, 176, 11, 0, 184, 139, 72, 176,  
128, 184, 0, 8, 8, 0, 8, 8, 9, 64, 75, 139, 0, 11, 8, 176, 8, 0, 128, 0,  
11, 0, 0, 176, 0, 0, 184, 11, 9, 164, 128, 8, 0, 8, 11, 128, 8, 128, 0, 0,  
0, 0, 8, 0, 8, 11, 32, 72, 0, 11, 0, 128, 11, 43, 8, 180, 80, 176, 128, 0,  
176, 8, 8, 4, 64, 0, 11, 132, 185, 176, 187, 176, 0, 0, 9, 128, 11, 180, 186, 144,  
64, 4, 152, 139, 176, 184, 155, 128, 64, 178, 146, 180, 187, 176, 155, 153, 68, 137,  
0, 64,  
136, 132, 148, 180, 11, 137, 139, 8, 176, 4, 153, 0, 132, 148, 176, 132, 0, 143, 208,  
4,  
176, 128, 4, 11, 128, 128, 136, 137, 152, 187, 72, 155, 75, 180, 43, 148, 185, 159,  
43, 2,  
0, 0, 132, 157, 20, 8, 152, 137, 139, 8, 11, 136, 136, 0, 37, 72, 8, 139, 11, 176,  
11, 64, 73, 9, 136, 11, 187, 144, 11, 176, 137, 186, 84, 2, 128, 128, 11, 8, 144, 137,  
64, 8, 128, 136, 136, 128, 176, 2, 85, 9, 139, 152, 0, 176, 0, 153, 139, 9, 40, 64,  
11, 128, 187, 41, 4, 64, 11, 0, 4, 210, 185, 185, 137, 20, 8, 144, 75, 64, 187, 4,  
9, 176, 187, 75, 152, 153, 148, 187, 139, 152, 176, 176, 176, 44, 168, 146, 184, 11,  
0, 137,  
154, 144, 187, 180, 185, 203, 0, 0, 187, 185, 4, 9, 144, 11, 4, 75, 4, 149, 168, 136,  
9, 11, 152, 132, 139, 197, 0, 176, 171, 153, 132, 75, 155, 153, 159, 170, 170, 175,  
231, 255,

17, 99, 21, 85, 34, 82, 37, 74, 169, 73, 187, 187, 8, 152, 4, 8, 130, 180, 187, 68,  
64, 2, 0, 8, 187, 139, 128, 0, 64, 154, 152, 152, 187, 0, 128, 0, 8, 128, 8, 0,  
128, 8, 128, 11, 137, 64, 0, 0, 68, 0, 8, 0, 64, 0, 180, 176, 0, 136, 0, 0,  
0, 0, 0, 128, 11, 184, 0, 128, 176, 184, 132, 176, 0, 0, 75, 128, 176, 176, 144, 0,  
128, 0, 64, 0, 68, 11, 0, 4, 176, 0, 176, 0, 8, 64, 4, 187, 43, 0, 8, 180,  
64, 0, 0, 0, 68, 178, 176, 75, 184, 43, 178, 153, 184, 8, 8, 8, 128, 187, 9, 180,  
0, 4, 11, 185, 132, 9, 152, 4, 68, 11, 77, 91, 0, 0, 128, 0, 4, 139, 0, 139,  
155, 0, 64, 11, 186, 137, 187, 0, 153, 152, 176, 128, 0, 4, 4, 176, 11, 79, 212, 184,  
176, 0, 64, 68, 8, 136, 187, 184, 136, 176, 11, 8, 75, 11, 11, 152, 152, 0, 132, 75,  
11, 8, 187, 154, 41, 176, 9, 152, 128, 8, 136, 136, 40, 8, 180, 75, 75, 8, 0, 184,  
128, 36, 75, 139, 8, 128, 144, 139, 64, 0, 128, 139, 148, 184, 4, 0, 64, 9, 128, 34,  
187, 148, 132, 0, 185, 139, 0, 132, 36, 152, 137, 152, 11, 180, 185, 0, 176, 2, 168,  
148,  
136, 180, 4, 73, 36, 64, 2, 9, 64, 36, 144, 153, 138, 48, 8, 136, 4, 176, 184, 9,  
253, 0, 155, 153, 223, 153, 132, 68, 137, 155, 0, 8, 137, 0, 136, 185, 136, 11, 136,  
139,  
6, 171, 144, 176, 187, 187, 75, 64, 0, 155, 0, 0, 128, 11, 187, 36, 9, 247, 200, 185,  
73, 187, 137, 64, 187, 187, 9, 0, 138, 89, 155, 169, 185, 187, 159, 169, 154, 172,  
253, 252,  
101, 19, 85, 85, 37, 34, 83, 194, 73, 137, 187, 204, 153, 144, 176, 0, 155, 64, 187,  
187,  
0, 68, 0, 139, 0, 184, 0, 138, 132, 152, 136, 139, 72, 137, 0, 176, 9, 144, 8, 136,  
0, 136, 137, 144, 187, 0, 0, 4, 4, 0, 8, 128, 0, 0, 152, 0, 8, 184, 0, 0,  
136, 10, 176, 176, 187, 176, 0, 0, 176, 11, 0, 148, 64, 152, 8, 136, 11, 176, 8, 0,  
0, 8, 11, 9, 8, 136, 144, 0, 11, 0, 136, 176, 8, 128, 128, 11, 152, 0, 0, 176,  
11, 11, 0, 8, 73, 4, 0, 64, 4, 187, 92, 176, 0, 8, 139, 11, 186, 4, 0, 0,  
64, 0, 11, 11, 32, 4, 132, 5, 20, 11, 10, 164, 0, 4, 128, 185, 68, 139, 0, 137,  
9, 148, 0, 11, 186, 169, 176, 41, 139, 136, 155, 176, 0, 132, 4, 0, 139, 74, 226, 36,  
0, 139, 11, 184, 176, 137, 155, 154, 152, 176, 176, 128, 0, 2, 185, 136, 168, 128, 32,  
181,  
153, 185, 178, 75, 41, 72, 185, 136, 72, 144, 11, 11, 137, 4, 144, 128, 136, 128, 11,  
128,  
11, 0, 0, 128, 187, 180, 152, 187, 0, 11, 136, 136, 180, 43, 8, 153, 128, 75, 0, 41,

153, 213, 137, 0, 136, 8, 9, 155, 176, 152, 152, 152, 9, 33, 160, 8, 4, 8, 185, 4,  
176, 180, 75, 9, 155, 0, 0, 9, 64, 64, 136, 152, 138, 168, 0, 146, 137, 144, 9, 152,  
162, 176, 128, 42, 126, 168, 69, 36, 168, 152, 0, 8, 187, 176, 160, 152, 155, 75, 152,  
8,  
137, 187, 9, 11, 9, 160, 148, 0, 75, 187, 0, 187, 0, 9, 68, 155, 185, 173, 153, 132,  
4, 155, 8, 69, 202, 148, 11, 184, 9, 136, 136, 169, 153, 153, 154, 42, 170, 172, 204,  
204,  
209, 99, 85, 82, 34, 34, 37, 42, 146, 184, 155, 90, 146, 152, 11, 11, 176, 64, 153,  
176,  
73, 139, 0, 180, 8, 136, 184, 141, 155, 170, 137, 137, 72, 137, 176, 136, 136, 128,  
136, 136,  
8, 0, 0, 0, 0, 0, 0, 176, 0, 0, 136, 148, 0, 152, 136, 8, 128, 187, 72, 136,  
136, 185, 144, 128, 139, 0, 0, 11, 137, 176, 11, 0, 0, 9, 8, 187, 11, 11, 8, 0,  
0, 136, 136, 0, 187, 137, 128, 0, 136, 0, 0, 4, 0, 0, 0, 0, 128, 180, 72, 8,  
176, 0, 0, 9, 185, 64, 2, 64, 4, 64, 4, 0, 0, 0, 0, 69, 185, 128, 11, 64,  
0, 0, 152, 136, 64, 180, 176, 4, 32, 176, 2, 64, 176, 0, 0, 66, 68, 11, 0, 152,  
75, 148, 176, 0, 9, 152, 139, 73, 136, 137, 136, 136, 11, 128, 64, 176, 139, 185, 169,  
180,  
152, 187, 9, 153, 128, 153, 0, 154, 136, 128, 136, 0, 0, 4, 157, 25, 139, 73, 73, 153,  
136, 75, 11, 68, 90, 11, 136, 137, 0, 153, 64, 176, 9, 4, 4, 11, 148, 0, 0, 128,  
136, 68, 0, 136, 8, 180, 176, 0, 136, 8, 148, 180, 148, 144, 8, 8, 176, 128, 187, 136,  
2, 36, 214, 5, 137, 154, 8, 176, 72, 136, 152, 128, 152, 44, 178, 11, 69, 75, 155, 137,  
187, 157, 212, 176, 68, 4, 184, 0, 0, 0, 137, 152, 157, 41, 136, 184, 8, 136, 136, 154,  
155, 136, 9, 66, 169, 153, 138, 36, 145, 136, 128, 0, 139, 8, 153, 136, 0, 139, 152,  
187,  
185, 187, 128, 11, 155, 0, 170, 176, 187, 0, 185, 136, 187, 187, 186, 146, 184, 153,  
153, 0,  
176, 9, 132, 41, 82, 184, 187, 64, 185, 152, 9, 152, 173, 250, 170, 202, 170, 170,  
202, 204,  
17, 19, 85, 164, 42, 162, 41, 170, 40, 144, 4, 154, 157, 36, 184, 144, 64, 144, 187,  
11,  
184, 128, 176, 139, 185, 128, 136, 153, 155, 170, 137, 138, 152, 187, 0, 128, 8, 11,  
0, 128,

128, 0, 0, 176, 0, 11, 9, 0, 8, 8, 136, 0, 8, 11, 0, 136, 184, 185, 187, 136,  
128, 136, 184, 176, 136, 132, 128, 128, 139, 0, 0, 0, 144, 184, 136, 0, 0, 0, 11, 8,  
0, 8, 137, 0, 128, 136, 0, 0, 128, 0, 0, 11, 8, 0, 0, 8, 138, 0, 176, 176,  
176, 0, 4, 9, 139, 0, 15, 84, 8, 64, 68, 0, 0, 176, 4, 68, 176, 128, 176, 176,  
176, 180, 153, 137, 187, 187, 11, 176, 64, 0, 154, 64, 176, 0, 64, 187, 75, 0, 185,  
136,  
136, 180, 75, 132, 73, 152, 187, 184, 132, 73, 136, 136, 0, 4, 0, 11, 139, 184, 187,  
187,  
136, 155, 184, 132, 11, 187, 11, 9, 137, 144, 4, 8, 132, 72, 137, 40, 136, 68, 132,  
152,  
155, 64, 0, 4, 197, 148, 184, 132, 4, 148, 11, 11, 8, 180, 176, 0, 4, 138, 64, 8,  
136, 0, 0, 187, 187, 98, 185, 128, 32, 136, 64, 176, 82, 187, 0, 0, 8, 128, 64, 0,  
178, 64, 34, 187, 9, 247, 9, 75, 187, 187, 0, 144, 139, 68, 4, 0, 180, 180, 0, 153,  
0, 157, 234, 168, 180, 8, 128, 184, 64, 11, 185, 128, 174, 249, 153, 153, 152, 72,  
137, 153,  
185, 184, 137, 154, 57, 152, 139, 4, 185, 187, 144, 8, 8, 128, 153, 128, 139, 8, 128,  
0,  
137, 75, 139, 153, 0, 8, 152, 176, 176, 187, 187, 136, 187, 11, 184, 176, 176, 153,  
152, 9,  
9, 64, 187, 4, 64, 64, 187, 4, 8, 137, 186, 153, 173, 252, 206, 223, 252, 246, 170,  
170,  
202, 253, 85, 34, 34, 170, 66, 146, 155, 153, 152, 184, 146, 64, 0, 136, 180, 176,  
187, 0,  
152, 185, 128, 137, 136, 72, 11, 139, 32, 42, 140, 234, 155, 128, 187, 11, 136, 128,  
176, 8,  
184, 128, 180, 0, 0, 8, 0, 139, 139, 0, 128, 8, 152, 128, 0, 0, 0, 130, 0, 136,  
128, 0, 137, 128, 176, 0, 0, 0, 176, 0, 139, 2, 11, 176, 185, 143, 11, 8, 140, 89,  
0, 139, 8, 0, 139, 0, 0, 136, 0, 0, 8, 8, 11, 0, 8, 176, 4, 180, 187, 64,  
176, 0, 4, 0, 176, 152, 180, 0, 0, 180, 4, 0, 0, 0, 68, 0, 0, 11, 139, 4,  
64, 187, 9, 139, 0, 187, 64, 68, 0, 187, 146, 11, 176, 0, 176, 176, 185, 68, 9, 8,  
0, 187, 2, 176, 176, 75, 8, 176, 11, 184, 128, 128, 139, 11, 68, 128, 152, 184, 155,  
11,

152, 155, 11, 64, 176, 40, 152, 144, 153, 184, 0, 128, 139, 168, 187, 132, 187, 244,  
137, 184,  
8, 176, 0, 4, 204, 176, 73, 139, 139, 155, 137, 128, 136, 184, 136, 184, 0, 184, 184,  
8,  
187, 0, 8, 9, 0, 25, 8, 4, 40, 146, 0, 4, 75, 153, 176, 11, 139, 137, 0, 8,  
139, 73, 185, 132, 185, 170, 160, 0, 11, 64, 66, 137, 180, 152, 144, 4, 0, 180, 11,  
184,  
139, 153, 202, 139, 11, 8, 153, 139, 139, 41, 172, 73, 154, 72, 191, 25, 146, 148,  
136, 180,  
2, 176, 152, 153, 168, 148, 184, 9, 68, 184, 144, 9, 73, 0, 89, 144, 185, 184, 180,  
137,  
136, 152, 148, 136, 176, 187, 11, 75, 187, 187, 64, 64, 137, 144, 132, 64, 0, 10, 152,  
4,  
0, 72, 73, 0, 0, 0, 0, 128, 8, 137, 153, 153, 138, 170, 173, 250, 252, 204, 170, 170,  
170, 205, 202, 164, 42, 41, 42, 153, 187, 178, 139, 139, 152, 4, 4, 75, 144, 11, 187,  
187,  
136, 128, 139, 184, 187, 176, 184, 137, 180, 170, 138, 218, 153, 128, 184, 0, 136,  
144, 0, 176,  
128, 0, 132, 136, 0, 128, 0, 139, 187, 128, 0, 139, 136, 136, 0, 8, 128, 137, 8, 136,  
8, 8, 136, 176, 11, 0, 128, 11, 176, 9, 107, 0, 64, 176, 2, 184, 0, 0, 0, 155,  
8, 8, 0, 176, 0, 0, 11, 176, 0, 4, 148, 8, 64, 128, 8, 64, 128, 11, 11, 0,  
187, 0, 0, 0, 64, 0, 176, 11, 0, 2, 68, 11, 176, 4, 64, 0, 176, 64, 8, 64,  
64, 187, 184, 187, 11, 68, 11, 34, 176, 75, 152, 136, 11, 0, 11, 128, 0, 150, 11, 11,  
11, 0, 5, 155, 11, 185, 32, 64, 184, 0, 128, 0, 11, 176, 187, 176, 144, 11, 139, 8,  
184, 187, 180, 180, 139, 180, 0, 136, 152, 152, 137, 136, 180, 75, 187, 185, 155, 89,  
144, 64,  
0, 11, 64, 186, 202, 64, 187, 187, 180, 153, 153, 184, 184, 132, 153, 4, 8, 187, 184,  
8,  
8, 4, 152, 184, 8, 148, 64, 0, 184, 32, 0, 0, 66, 0, 0, 138, 155, 73, 152, 43,  
176, 128, 187, 136, 11, 153, 153, 64, 0, 139, 9, 139, 69, 75, 137, 153, 176, 148, 8,  
148,  
180, 184, 8, 139, 128, 10, 168, 185, 153, 98, 51, 93, 169, 155, 188, 61, 204, 36, 68,  
180,

0, 180, 153, 168, 40, 148, 8, 180, 64, 75, 8, 9, 194, 180, 152, 11, 185, 153, 185, 136,  
152, 139, 155, 8, 187, 11, 11, 75, 187, 64, 187, 73, 153, 155, 155, 176, 0, 184, 152,  
139,  
187, 0, 168, 128, 8, 0, 0, 128, 11, 73, 153, 9, 137, 154, 154, 169, 41, 154, 170, 170,  
170, 205, 202, 164, 34, 153, 169, 154, 68, 178, 68, 144, 187, 68, 11, 155, 176, 4,  
187, 176,  
4, 9, 152, 128, 8, 155, 184, 8, 9, 170, 154, 169, 152, 11, 176, 8, 152, 136, 185, 0,  
0, 64, 0, 8, 0, 0, 8, 8, 176, 0, 0, 11, 136, 136, 0, 0, 11, 11, 0, 0,  
0, 0, 144, 136, 4, 0, 0, 136, 8, 136, 192, 184, 176, 136, 4, 0, 0, 0, 139, 128,  
0, 8, 0, 8, 75, 0, 187, 180, 4, 64, 0, 11, 0, 0, 128, 8, 136, 176, 4, 0,  
155, 0, 176, 9, 32, 8, 184, 0, 10, 80, 64, 8, 184, 176, 64, 0, 128, 0, 75, 176,  
0, 11, 8, 187, 176, 0, 11, 153, 187, 139, 9, 139, 64, 176, 8, 0, 136, 38, 146, 187,  
72, 0, 143, 171, 0, 8, 0, 8, 8, 139, 4, 0, 0, 11, 136, 184, 73, 139, 139, 187,  
11, 176, 11, 176, 8, 136, 128, 184, 137, 154, 136, 136, 68, 75, 137, 185, 11, 73, 9,  
148,  
128, 132, 153, 9, 170, 68, 187, 176, 128, 153, 136, 4, 187, 184, 128, 64, 176, 139,  
152, 136,  
73, 0, 187, 136, 187, 178, 64, 180, 0, 187, 4, 0, 11, 0, 0, 136, 176, 155, 139, 176,  
152, 176, 75, 4, 176, 185, 153, 176, 4, 153, 9, 128, 64, 0, 188, 194, 0, 176, 136, 8,  
9, 9, 155, 176, 0, 8, 136, 136, 9, 152, 169, 94, 168, 185, 45, 115, 41, 64, 43, 132,  
0, 187, 153, 152, 64, 68, 11, 4, 68, 68, 11, 153, 18, 148, 8, 73, 137, 40, 185, 153,  
155, 187, 136, 64, 0, 11, 0, 139, 154, 212, 180, 156, 218, 152, 139, 187, 0, 187, 136,  
139,  
0, 146, 168, 64, 0, 8, 152, 128, 187, 72, 136, 75, 155, 136, 153, 169, 153, 154, 170,  
170,  
153, 205, 202, 154, 185, 153, 153, 148, 153, 75, 185, 43, 75, 68, 11, 72, 64, 4, 75,  
176,  
2, 156, 200, 139, 8, 176, 187, 138, 138, 170, 169, 153, 136, 132, 64, 136, 148, 152,  
74, 75,  
0, 176, 0, 8, 176, 0, 4, 128, 9, 139, 128, 145, 152, 128, 0, 128, 176, 128, 0, 0,  
128, 136, 8, 136, 128, 64, 8, 72, 9, 136, 0, 8, 0, 0, 64, 0, 0, 0, 128, 139,  
8, 128, 8, 176, 72, 9, 180, 0, 2, 184, 11, 8, 136, 176, 0, 137, 128, 178, 155, 185,  
137, 0, 176, 11, 0, 8, 139, 9, 2, 160, 0, 68, 11, 180, 0, 136, 0, 128, 4, 144,

176, 136, 0, 139, 11, 137, 185, 154, 139, 176, 153, 132, 152, 178, 136, 144, 0, 11, 8,  
66,  
68, 9, 185, 8, 187, 11, 64, 0, 0, 11, 0, 11, 0, 0, 187, 176, 11, 168, 128, 0,  
178, 155, 128, 187, 176, 136, 152, 184, 184, 254, 73, 136, 64, 187, 168, 9, 4, 185, 0,  
176,  
136, 153, 176, 137, 242, 184, 8, 187, 136, 8, 153, 128, 8, 138, 152, 11, 128, 155,  
155, 153,  
128, 64, 0, 139, 180, 64, 8, 180, 0, 75, 128, 185, 139, 176, 64, 137, 137, 136, 176,  
79,  
24, 64, 75, 32, 144, 9, 176, 75, 8, 136, 153, 128, 4, 4, 37, 91, 0, 144, 0, 11,  
8, 9, 9, 185, 0, 9, 128, 152, 139, 176, 155, 146, 8, 153, 161, 26, 137, 64, 9, 144,  
11, 187, 137, 136, 32, 9, 0, 43, 4, 4, 4, 176, 64, 4, 141, 160, 187, 139, 136, 137,  
139, 155, 155, 0, 176, 11, 0, 0, 155, 171, 187, 159, 127, 160, 9, 176, 187, 187, 176,  
153,  
155, 152, 89, 148, 178, 4, 185, 152, 34, 0, 132, 68, 11, 152, 153, 8, 137, 153, 169,  
154,  
154, 173, 249, 154, 153, 152, 153, 148, 185, 4, 154, 144, 4, 36, 34, 68, 72, 75, 180,  
187,  
146, 10, 25, 136, 185, 185, 184, 138, 171, 202, 153, 137, 137, 176, 4, 153, 75, 152,  
9, 139,  
11, 0, 0, 139, 27, 244, 0, 176, 8, 128, 0, 10, 75, 0, 11, 0, 178, 176, 184, 8,  
0, 128, 137, 152, 128, 0, 4, 136, 11, 128, 4, 0, 0, 0, 0, 8, 8, 155, 8, 0,  
8, 139, 11, 0, 176, 4, 8, 11, 11, 0, 176, 180, 168, 0, 0, 8, 8, 158, 196, 176,  
0, 0, 0, 4, 0, 139, 136, 136, 128, 4, 0, 155, 136, 0, 73, 139, 176, 0, 4, 180,  
144, 128, 152, 144, 11, 152, 4, 184, 139, 128, 137, 136, 180, 147, 171, 4, 9, 8, 139,  
174,  
84, 186, 0, 8, 11, 4, 64, 0, 8, 136, 11, 9, 187, 8, 73, 139, 9, 136, 132, 0,  
141, 25, 137, 136, 152, 0, 144, 139, 153, 149, 64, 185, 137, 153, 153, 187, 43, 0,  
176, 148,  
176, 180, 0, 2, 43, 144, 153, 8, 8, 76, 73, 128, 137, 184, 128, 139, 68, 64, 64, 152,  
137, 0, 0, 132, 152, 9, 8, 0, 75, 137, 139, 8, 138, 64, 0, 185, 155, 128, 4, 138,  
169, 11, 73, 75, 66, 72, 4, 64, 0, 10, 210, 0, 0, 68, 255, 75, 136, 4, 0, 144,

4, 75, 73, 152, 73, 187, 139, 128, 185, 153, 137, 153, 136, 153, 41, 170, 139, 184,  
153, 155,  
152, 137, 152, 136, 72, 64, 0, 64, 68, 4, 64, 144, 4, 153, 150, 169, 132, 0, 144, 128,  
148, 0, 187, 171, 155, 64, 0, 137, 136, 185, 155, 186, 202, 185, 171, 180, 155, 187,  
136, 128,  
4, 172, 43, 128, 180, 64, 153, 8, 180, 8, 11, 187, 11, 9, 137, 153, 187, 187, 185, 169,  
152, 175, 170, 152, 169, 152, 153, 132, 184, 11, 153, 148, 146, 74, 236, 144, 43, 0,  
75, 187,  
0, 130, 194, 137, 137, 169, 137, 156, 194, 202, 169, 153, 136, 40, 0, 137, 8, 139, 4,  
137,  
137, 0, 0, 10, 233, 210, 64, 0, 8, 0, 9, 137, 187, 0, 8, 187, 0, 128, 136, 8,  
8, 0, 169, 152, 139, 0, 64, 139, 8, 8, 4, 32, 128, 0, 8, 8, 136, 139, 128, 0,  
68, 0, 185, 185, 0, 144, 0, 144, 11, 187, 176, 0, 137, 68, 11, 0, 4, 5, 68, 4,  
0, 64, 11, 64, 64, 152, 136, 0, 0, 4, 176, 148, 11, 128, 11, 176, 0, 8, 187, 155,  
128, 0, 11, 128, 128, 8, 11, 185, 0, 9, 185, 136, 136, 136, 176, 36, 8, 11, 136, 150,  
89, 155, 0, 187, 9, 64, 68, 8, 0, 0, 8, 178, 136, 75, 180, 144, 9, 139, 155, 64,  
176, 137, 10, 132, 128, 11, 68, 144, 152, 72, 0, 0, 9, 137, 148, 185, 187, 185, 139,  
153,  
73, 180, 0, 137, 64, 11, 132, 9, 75, 94, 89, 136, 0, 128, 187, 180, 180, 8, 139, 136,  
187, 68, 176, 0, 176, 11, 136, 8, 136, 136, 155, 139, 12, 32, 137, 136, 148, 176, 68,  
0,  
9, 152, 152, 153, 64, 11, 128, 75, 64, 130, 171, 0, 64, 0, 34, 184, 128, 68, 2, 64,  
4, 11, 136, 185, 88, 8, 176, 0, 73, 185, 153, 153, 152, 187, 73, 137, 155, 152, 154,  
137,  
128, 8, 152, 178, 64, 132, 178, 68, 64, 0, 75, 184, 157, 170, 137, 9, 128, 64, 184,  
137,  
75, 149, 153, 153, 249, 64, 128, 9, 153, 144, 136, 9, 153, 185, 201, 187, 155, 64,  
187, 136,  
132, 109, 176, 8, 132, 4, 4, 184, 128, 11, 73, 184, 185, 153, 187, 75, 155, 187, 153,  
153,  
153, 172, 153, 41, 137, 144, 8, 152, 153, 152, 11, 185, 136, 138, 218, 152, 64, 9,  
187, 187,



128, 153, 153, 137, 156, 217, 170, 156, 170, 202, 170, 170, 152, 139, 184, 8, 184,  
176, 139, 136,  
184, 128, 128, 0, 137, 72, 0, 64, 0, 11, 8, 139, 0, 128, 176, 0, 0, 8, 144, 0,  
136, 0, 152, 136, 187, 2, 75, 128, 8, 128, 4, 64, 64, 128, 137, 0, 11, 11, 132, 0,  
64, 0, 4, 0, 136, 0, 0, 137, 0, 8, 184, 185, 12, 32, 11, 128, 0, 2, 64, 4,  
0, 171, 180, 0, 0, 148, 176, 128, 0, 0, 246, 68, 8, 137, 8, 8, 128, 8, 180, 128,  
185, 9, 136, 184, 128, 9, 144, 180, 0, 72, 155, 75, 187, 187, 4, 180, 9, 9, 0, 153,  
148, 136, 0, 11, 4, 68, 176, 144, 128, 144, 130, 155, 0, 11, 180, 4, 0, 9, 136, 176,  
186, 169, 137, 146, 64, 8, 132, 136, 168, 176, 41, 0, 0, 9, 171, 8, 176, 184, 153, 242,  
187, 68, 176, 136, 152, 0, 5, 2, 36, 178, 0, 136, 184, 136, 178, 75, 128, 184, 136,  
148,  
64, 4, 0, 136, 8, 75, 8, 152, 153, 185, 152, 73, 180, 136, 8, 153, 132, 4, 4, 11,  
9, 186, 204, 201, 32, 130, 180, 64, 2, 68, 152, 11, 152, 0, 145, 152, 0, 68, 64, 4,  
0, 9, 137, 155, 152, 8, 176, 0, 144, 153, 136, 168, 136, 153, 136, 152, 153, 153, 152,  
144,  
139, 4, 128, 35, 200, 176, 128, 64, 0, 36, 9, 0, 138, 152, 152, 128, 128, 137, 139,  
157,  
226, 146, 32, 144, 155, 187, 187, 8, 152, 137, 137, 68, 153, 154, 104, 11, 176, 8,  
144, 128,  
8, 68, 64, 64, 180, 32, 0, 186, 184, 187, 185, 176, 187, 155, 139, 136, 178, 74, 136,  
152,  
137, 172, 153, 136, 184, 152, 185, 137, 152, 152, 185, 68, 137, 136, 169, 155, 153,  
153, 136, 139,  
68, 10, 152, 153, 153, 168, 170, 170, 204, 255, 202, 170, 169, 152, 128, 8, 187, 8, 0,  
0,  
176, 128, 0, 8, 176, 8, 187, 128, 176, 8, 9, 176, 0, 128, 0, 0, 8, 8, 187, 128,  
0, 11, 152, 128, 4, 0, 8, 176, 136, 128, 0, 176, 40, 128, 137, 128, 8, 0, 160, 0,  
0, 128, 0, 128, 0, 136, 0, 11, 0, 0, 8, 184, 11, 187, 11, 176, 11, 148, 0, 144,  
64, 155, 0, 0, 8, 0, 0, 8, 0, 128, 170, 68, 176, 0, 0, 0, 0, 136, 11, 24,  
128, 0, 0, 136, 8, 139, 184, 0, 4, 176, 176, 0, 0, 0, 184, 187, 176, 88, 184, 136,  
153, 8, 0, 8, 146, 176, 139, 152, 136, 0, 180, 8, 4, 155, 155, 136, 72, 184, 136, 137,  
129, 248, 152, 144, 0, 11, 9, 132, 68, 128, 0, 9, 184, 185, 144, 180, 176, 184, 155,  
218,

132, 75, 176, 0, 136, 32, 38, 64, 75, 4, 64, 176, 128, 144, 132, 11, 128, 8, 154, 36,  
64, 11, 176, 176, 128, 184, 72, 152, 64, 9, 153, 180, 184, 139, 4, 144, 68, 68, 75, 66,  
42, 175, 237, 169, 11, 199, 192, 4, 2, 43, 137, 176, 32, 137, 139, 144, 180, 4, 68, 11,  
128, 176, 185, 64, 139, 148, 4, 0, 0, 180, 9, 136, 32, 132, 64, 64, 153, 166, 136, 136,  
128, 128, 185, 146, 155, 64, 4, 0, 136, 68, 4, 0, 73, 136, 11, 0, 136, 136, 128, 143,  
251, 75, 128, 139, 176, 187, 155, 184, 154, 139, 77, 196, 68, 11, 153, 136, 187, 185,  
11, 187,  
9, 8, 11, 11, 64, 75, 187, 185, 155, 180, 68, 0, 185, 75, 153, 155, 180, 9, 184, 136,  
153, 172, 152, 152, 184, 187, 185, 155, 154, 153, 146, 180, 144, 152, 73, 139, 137,  
149, 187, 187,  
180, 8, 153, 138, 138, 169, 170, 172, 253, 221, 255, 204, 169, 152, 139, 139, 0, 11,  
128, 0,  
8, 136, 0, 0, 184, 128, 139, 187, 9, 184, 184, 0, 0, 128, 0, 8, 0, 0, 8, 128,  
0, 8, 187, 0, 8, 0, 10, 0, 176, 128, 0, 0, 152, 11, 0, 0, 0, 0, 128, 136,  
11, 8, 184, 0, 0, 8, 9, 8, 0, 0, 155, 0, 8, 0, 0, 0, 137, 132, 0, 25,  
9, 171, 184, 0, 11, 176, 0, 11, 0, 0, 11, 0, 136, 0, 8, 8, 144, 152, 68, 164,  
68, 128, 11, 139, 128, 128, 64, 176, 4, 187, 11, 176, 0, 11, 4, 139, 0, 187, 180, 185,  
139, 0, 0, 68, 68, 64, 0, 139, 155, 128, 128, 0, 136, 40, 152, 187, 11, 11, 4, 8,  
137, 137, 153, 176, 64, 139, 72, 130, 64, 184, 75, 180, 139, 9, 128, 11, 0, 185, 139,  
159,  
144, 9, 136, 11, 185, 187, 149, 64, 187, 148, 0, 176, 176, 176, 9, 187, 8, 8, 152, 155,  
187, 72, 152, 152, 11, 128, 155, 152, 72, 8, 168, 136, 184, 144, 176, 185, 0, 68, 11,  
9,  
156, 222, 218, 168, 0, 188, 40, 11, 148, 8, 9, 176, 0, 0, 0, 0, 0, 0, 11, 128,  
187, 155, 11, 64, 139, 84, 148, 4, 0, 136, 176, 137, 64, 176, 75, 32, 8, 138, 139, 4,  
72, 0, 4, 36, 72, 9, 153, 136, 130, 155, 64, 11, 68, 0, 176, 8, 128, 136, 187, 128,  
187, 187, 152, 187, 187, 187, 187, 187, 180, 184, 148, 148, 68, 8, 0, 187, 11, 180,  
176, 139,  
176, 11, 144, 184, 11, 4, 185, 153, 153, 11, 68, 72, 138, 144, 153, 153, 128, 184,  
153, 137,  
187, 170, 169, 152, 64, 11, 72, 137, 254, 169, 34, 180, 64, 155, 187, 9, 155, 180,  
185, 154,

4, 75, 172, 136, 137, 153, 170, 207, 222, 237, 221, 252, 202, 168, 136, 139, 137,  
128, 0, 155,  
0, 176, 0, 128, 137, 176, 182, 196, 184, 128, 0, 0, 36, 11, 128, 0, 9, 184, 137, 8,  
128, 136, 128, 0, 0, 185, 187, 0, 136, 0, 8, 176, 155, 4, 8, 136, 128, 0, 8, 139,  
11, 178, 0, 0, 0, 0, 0, 8, 0, 136, 153, 144, 128, 0, 0, 184, 153, 137, 153, 89,  
11, 11, 0, 128, 11, 176, 0, 0, 0, 136, 9, 128, 144, 128, 0, 139, 169, 136, 68, 144,  
0, 176, 75, 128, 139, 64, 176, 4, 66, 75, 144, 176, 8, 0, 9, 184, 11, 9, 176, 8,  
176, 0, 0, 68, 187, 187, 176, 128, 64, 176, 75, 0, 139, 184, 176, 9, 176, 2, 11, 0,  
137, 136, 152, 176, 0, 184, 185, 132, 4, 8, 4, 184, 155, 36, 11, 184, 187, 9, 0, 33,  
155, 184, 136, 0, 137, 184, 153, 176, 187, 0, 0, 75, 11, 144, 8, 11, 185, 128, 153,  
128,  
187, 152, 153, 139, 9, 11, 64, 139, 168, 72, 162, 73, 139, 8, 184, 153, 0, 64, 64, 73,  
205, 223, 169, 155, 187, 178, 9, 8, 132, 4, 0, 73, 252, 144, 139, 4, 4, 0, 8, 136,  
176, 132, 136, 176, 8, 155, 68, 0, 184, 8, 9, 8, 0, 0, 64, 11, 144, 137, 11, 4,  
0, 136, 66, 68, 176, 0, 149, 160, 179, 160, 4, 187, 0, 73, 11, 0, 11, 8, 136, 4,  
176, 184, 139, 64, 0, 187, 155, 187, 68, 153, 180, 64, 187, 187, 176, 11, 153, 136,  
185, 137,  
139, 136, 144, 9, 187, 185, 153, 155, 137, 75, 176, 0, 153, 155, 185, 139, 11, 184,  
185, 184,  
11, 170, 153, 137, 176, 187, 73, 153, 247, 201, 43, 153, 11, 185, 153, 11, 149, 32,  
187, 155,  
9, 73, 137, 137, 153, 154, 154, 205, 222, 119, 237, 223, 202, 169, 136, 137, 137,  
152, 8, 41,  
137, 0, 136, 8, 186, 144, 130, 36, 171, 148, 136, 176, 0, 0, 176, 8, 46, 72, 136, 136,  
128, 136, 176, 128, 0, 0, 128, 136, 11, 0, 8, 4, 187, 245, 11, 128, 0, 128, 0, 11,  
0, 0, 0, 64, 0, 0, 0, 8, 2, 75, 136, 144, 0, 8, 4, 144, 148, 128, 8, 152,  
0, 0, 0, 144, 4, 0, 137, 176, 0, 11, 128, 64, 4, 184, 0, 75, 255, 128, 136, 4,  
0, 0, 9, 128, 0, 11, 11, 152, 68, 75, 68, 75, 0, 0, 185, 187, 187, 187, 0, 11,  
75, 176, 68, 4, 187, 8, 184, 184, 0, 4, 186, 75, 0, 139, 184, 184, 73, 68, 64, 176,  
185, 137, 136, 0, 11, 0, 187, 0, 43, 11, 184, 155, 68, 84, 176, 0, 187, 136, 176, 137,  
11, 187, 176, 176, 136, 155, 128, 69, 68, 0, 68, 0, 187, 152, 180, 11, 152, 128, 136,  
139,  
0, 152, 139, 128, 176, 187, 8, 128, 11, 68, 0, 187, 152, 0, 11, 152, 11, 64, 185, 185,

204, 170, 152, 75, 187, 176, 184, 136, 136, 73, 0, 9, 250, 128, 9, 80, 180, 153, 0,  
171,  
187, 176, 64, 180, 11, 4, 176, 137, 75, 184, 136, 9, 180, 0, 64, 72, 136, 138, 184, 36,  
152, 136, 64, 32, 176, 73, 145, 169, 130, 128, 43, 144, 184, 11, 8, 139, 176, 8, 137,  
192,  
8, 136, 180, 8, 128, 187, 187, 187, 148, 152, 187, 187, 185, 144, 144, 176, 185, 155,  
153, 139,  
11, 4, 128, 11, 128, 187, 11, 218, 152, 180, 68, 41, 185, 155, 75, 153, 75, 64, 137,  
184,  
144, 154, 153, 137, 176, 176, 0, 73, 170, 168, 139, 152, 9, 74, 8, 178, 66, 68, 11,  
184,  
137, 154, 169, 154, 170, 172, 207, 253, 231, 119, 126, 223, 204, 170, 170, 138, 169,  
153, 153, 153,  
137, 0, 128, 8, 137, 144, 0, 176, 138, 57, 152, 176, 64, 136, 128, 0, 156, 176, 152,  
72,  
155, 187, 185, 176, 0, 0, 72, 0, 132, 136, 176, 152, 64, 9, 11, 0, 0, 8, 0, 0,  
0, 139, 11, 152, 153, 0, 64, 128, 128, 64, 139, 184, 0, 8, 8, 4, 128, 0, 8, 137,  
0, 11, 0, 0, 187, 184, 180, 160, 187, 8, 0, 128, 0, 0, 0, 9, 164, 11, 187, 68,  
176, 11, 75, 128, 9, 9, 176, 184, 139, 64, 4, 32, 136, 128, 128, 184, 139, 0, 4, 144,  
153, 132, 180, 9, 144, 11, 128, 176, 64, 64, 187, 176, 0, 136, 176, 187, 75, 0, 184,  
11,  
136, 137, 139, 64, 2, 128, 136, 5, 153, 0, 8, 155, 68, 34, 155, 128, 4, 153, 155, 185,  
139, 9, 11, 184, 136, 128, 136, 4, 68, 0, 4, 8, 0, 180, 64, 4, 72, 136, 184, 0,  
180, 152, 155, 187, 128, 11, 176, 11, 139, 69, 73, 187, 8, 4, 64, 68, 11, 180, 187,  
153,  
154, 152, 132, 75, 180, 180, 72, 9, 185, 0, 0, 8, 9, 136, 138, 121, 64, 178, 72, 136,  
11, 180, 136, 74, 18, 73, 180, 4, 11, 176, 136, 152, 128, 139, 8, 0, 152, 137, 155, 73,  
168, 41, 153, 73, 68, 8, 137, 153, 169, 154, 168, 75, 144, 68, 139, 176, 172, 75, 136,  
64,  
0, 178, 0, 72, 0, 187, 187, 9, 155, 75, 75, 75, 136, 132, 187, 9, 137, 137, 137, 128,  
0, 144, 136, 136, 178, 187, 0, 169, 137, 180, 4, 72, 137, 155, 185, 185, 137, 187,  
187, 0,

187, 154, 152, 152, 0, 0, 176, 8, 185, 153, 132, 185, 8, 184, 80, 148, 185, 132, 73,  
176,  
155, 152, 40, 170, 138, 170, 170, 253, 231, 119, 126, 223, 202, 170, 153, 153, 153,  
137, 136, 136,  
8, 152, 128, 8, 153, 192, 128, 8, 138, 20, 152, 176, 0, 152, 8, 178, 73, 0, 0, 188,  
251, 8, 0, 144, 0, 136, 11, 0, 0, 155, 132, 185, 9, 9, 9, 0, 0, 0, 128, 0,  
0, 4, 0, 137, 153, 0, 11, 0, 8, 0, 128, 0, 9, 128, 64, 180, 0, 139, 134, 164,  
4, 75, 0, 176, 75, 152, 137, 184, 128, 0, 8, 0, 11, 11, 128, 0, 176, 4, 185, 75,  
176, 11, 136, 139, 184, 185, 4, 187, 139, 64, 73, 132, 11, 0, 187, 8, 139, 180, 10,  
155,  
136, 137, 203, 180, 43, 176, 187, 176, 0, 0, 8, 11, 11, 11, 180, 136, 64, 9, 201, 128,  
128, 184, 155, 0, 11, 8, 139, 185, 41, 68, 187, 0, 136, 34, 106, 4, 8, 185, 128, 148,  
0, 4, 0, 176, 64, 11, 155, 180, 4, 0, 0, 0, 0, 176, 68, 0, 9, 128, 201, 64,  
11, 139, 187, 68, 0, 139, 144, 139, 144, 180, 153, 11, 153, 139, 0, 0, 8, 148, 184,  
137,  
154, 152, 139, 136, 187, 0, 144, 8, 10, 160, 64, 128, 137, 128, 137, 152, 136, 66, 40,  
144,  
136, 168, 152, 187, 152, 73, 0, 4, 68, 8, 186, 184, 0, 72, 176, 187, 32, 185, 155, 72,  
137, 170, 169, 154, 64, 187, 8, 73, 139, 153, 153, 11, 11, 176, 136, 168, 165, 184, 8,  
184,  
75, 8, 136, 136, 0, 187, 187, 176, 148, 176, 0, 138, 169, 153, 187, 155, 64, 148, 64,  
128,  
139, 72, 8, 139, 176, 180, 11, 148, 11, 75, 180, 72, 64, 64, 128, 185, 187, 128, 180,  
139,  
185, 153, 152, 138, 8, 75, 0, 8, 185, 154, 128, 137, 0, 42, 117, 187, 11, 153, 41, 155,  
137, 137, 185, 169, 156, 168, 170, 175, 222, 119, 237, 252, 202, 169, 152, 153, 152,  
136, 136, 176,  
128, 128, 128, 136, 8, 144, 8, 8, 137, 128, 8, 8, 11, 136, 0, 17, 0, 0, 137, 8,  
152, 176, 0, 0, 0, 184, 0, 0, 0, 9, 0, 0, 184, 139, 9, 128, 184, 8, 11, 0,  
9, 43, 8, 0, 187, 0, 8, 139, 139, 11, 0, 0, 144, 0, 128, 73, 176, 11, 186, 171,  
0, 64, 0, 0, 72, 152, 255, 128, 128, 9, 0, 0, 128, 0, 128, 8, 5, 0, 132, 146,  
0, 132, 139, 187, 11, 187, 132, 64, 0, 8, 8, 139, 176, 184, 137, 139, 139, 0, 132, 184,  
178, 138, 24, 0, 75, 9, 9, 152, 11, 11, 155, 64, 139, 0, 72, 156, 148, 139, 84, 0,

64, 8, 176, 0, 176, 8, 130, 43, 137, 148, 8, 136, 168, 180, 4, 68, 0, 72, 176, 4,  
0, 0, 4, 187, 144, 180, 75, 64, 4, 68, 187, 176, 0, 152, 4, 0, 8, 137, 202, 68,  
176, 139, 11, 72, 136, 128, 11, 0, 11, 187, 153, 128, 149, 8, 68, 64, 8, 68, 0, 136,  
137, 144, 152, 176, 4, 9, 8, 128, 189, 54, 72, 9, 136, 0, 139, 144, 184, 66, 36, 0,  
136, 8, 136, 8, 11, 146, 0, 68, 153, 64, 185, 40, 176, 11, 68, 10, 107, 152, 11, 139,  
185, 154, 153, 132, 73, 152, 11, 184, 139, 43, 148, 187, 0, 75, 136, 0, 9, 128, 0, 136,  
41, 0, 152, 136, 8, 155, 187, 176, 178, 36, 187, 157, 234, 154, 9, 187, 171, 185, 9,  
136,  
8, 128, 148, 64, 184, 180, 11, 185, 187, 176, 4, 75, 187, 11, 11, 185, 64, 72, 9, 176,  
72, 153, 153, 136, 184, 178, 75, 9, 187, 153, 176, 187, 139, 34, 84, 68, 136, 187,  
153, 137,  
0, 11, 191, 124, 172, 152, 138, 175, 222, 237, 223, 204, 170, 168, 153, 153, 137,  
152, 176, 185,  
128, 8, 0, 139, 11, 8, 0, 64, 0, 0, 136, 0, 0, 0, 0, 168, 144, 155, 128, 11,  
132, 0, 0, 9, 12, 104, 0, 8, 8, 9, 0, 136, 11, 136, 8, 184, 144, 0, 144, 0,  
0, 153, 136, 128, 11, 136, 146, 176, 0, 8, 0, 8, 32, 0, 180, 33, 152, 0, 152, 0,  
11, 0, 0, 139, 68, 176, 146, 11, 0, 128, 176, 0, 32, 8, 11, 184, 0, 0, 8, 128,  
75, 139, 0, 9, 128, 0, 9, 152, 8, 72, 4, 187, 66, 43, 136, 139, 139, 0, 176, 176,  
176, 4, 43, 176, 64, 0, 128, 0, 184, 128, 187, 144, 180, 11, 184, 173, 32, 136, 178,  
187,  
0, 75, 136, 11, 144, 176, 8, 144, 152, 176, 185, 128, 137, 32, 73, 152, 176, 184, 139,  
185,  
0, 184, 11, 73, 180, 66, 166, 32, 4, 4, 188, 25, 64, 137, 20, 0, 72, 191, 251, 0,  
176, 0, 9, 152, 136, 0, 9, 0, 0, 152, 169, 153, 160, 185, 0, 0, 8, 8, 11, 184,  
93, 75, 132, 128, 0, 11, 9, 8, 130, 37, 139, 136, 139, 0, 132, 144, 73, 148, 4, 152,  
137, 132, 144, 186, 0, 171, 11, 180, 144, 0, 153, 75, 0, 139, 64, 0, 75, 144, 139, 4,  
184, 137, 41, 0, 186, 153, 252, 72, 64, 184, 137, 68, 43, 75, 152, 128, 132, 128, 0,  
128,  
152, 139, 137, 128, 11, 155, 187, 144, 139, 180, 68, 159, 100, 75, 0, 11, 73, 4, 185,  
181,  
171, 187, 187, 130, 187, 185, 0, 181, 185, 187, 185, 155, 11, 187, 155, 185, 75, 11,  
187, 11,

11, 153, 137, 146, 152, 128, 155, 8, 128, 155, 0, 128, 152, 148, 43, 0, 137, 153, 136,  
174,  
184, 139, 185, 202, 143, 153, 153, 172, 255, 221, 255, 204, 170, 136, 136, 152, 136,  
136, 0, 184,  
32, 176, 8, 41, 8, 128, 128, 0, 0, 0, 136, 11, 128, 128, 184, 128, 0, 176, 0, 0,  
176, 0, 187, 0, 136, 128, 136, 0, 0, 0, 0, 144, 0, 0, 0, 8, 136, 8, 128, 0,  
0, 8, 8, 0, 0, 137, 128, 139, 139, 0, 0, 128, 0, 0, 136, 137, 0, 136, 8, 136,  
0, 0, 136, 128, 155, 128, 11, 144, 9, 155, 4, 176, 11, 128, 75, 1, 240, 64, 8, 136,  
176, 176, 64, 184, 180, 11, 8, 128, 11, 0, 176, 4, 180, 155, 9, 139, 146, 64, 8, 187,  
0, 8, 0, 136, 155, 0, 130, 0, 11, 11, 176, 184, 187, 68, 185, 136, 176, 75, 187, 180,  
0, 0, 0, 11, 128, 0, 68, 0, 32, 2, 155, 137, 185, 187, 137, 136, 187, 187, 0, 64,  
136, 8, 8, 187, 176, 64, 153, 146, 64, 9, 140, 196, 176, 137, 43, 136, 169, 188, 240,  
73,  
136, 64, 137, 32, 176, 2, 64, 4, 180, 11, 137, 136, 187, 139, 36, 0, 128, 152, 2, 4,  
156, 73, 68, 64, 11, 0, 0, 136, 144, 4, 0, 0, 0, 189, 155, 64, 75, 148, 176, 139,  
152, 132, 176, 153, 128, 144, 149, 47, 114, 4, 8, 184, 128, 4, 64, 136, 12, 240, 139,  
180,  
64, 136, 139, 8, 178, 41, 164, 73, 132, 180, 155, 180, 4, 75, 185, 11, 155, 136, 0, 0,  
136, 128, 139, 8, 155, 36, 0, 187, 11, 68, 11, 75, 187, 176, 8, 11, 75, 4, 12, 38,  
160, 139, 178, 155, 4, 153, 155, 180, 186, 169, 153, 184, 187, 187, 9, 139, 187, 180,  
75, 144,  
0, 137, 152, 153, 176, 128, 180, 128, 73, 180, 187, 146, 152, 184, 187, 148, 185,  
152, 152, 156,  
4, 184, 137, 169, 137, 154, 185, 170, 207, 223, 204, 170, 169, 152, 137, 136, 139,  
128, 185, 154,  
228, 187, 0, 8, 136, 128, 0, 0, 0, 0, 0, 128, 0, 8, 176, 8, 0, 0, 128, 4,  
155, 4, 68, 8, 11, 0, 128, 0, 0, 128, 0, 0, 0, 128, 128, 8, 128, 8, 144, 0,  
139, 11, 8, 8, 64, 136, 178, 153, 132, 64, 0, 0, 64, 0, 136, 4, 152, 8, 128, 128,  
11, 144, 136, 152, 8, 0, 128, 153, 8, 136, 185, 176, 0, 136, 187, 133, 160, 136, 128,  
144,  
176, 9, 184, 75, 176, 185, 139, 128, 8, 0, 176, 11, 11, 176, 138, 155, 66, 64, 11, 139,  
184, 137, 180, 8, 139, 176, 176, 4, 176, 0, 68, 8, 0, 0, 176, 155, 187, 144, 4, 0,  
0, 8, 0, 0, 64, 0, 4, 9, 136, 177, 176, 8, 11, 176, 152, 139, 184, 155, 8, 43,

155, 176, 153, 137, 64, 64, 155, 66, 0, 0, 148, 75, 0, 180, 148, 187, 169, 69, 168,  
136,  
136, 64, 8, 155, 64, 176, 187, 144, 75, 73, 146, 128, 176, 180, 64, 184, 0, 128, 4, 66,  
66, 64, 176, 64, 4, 4, 184, 9, 152, 4, 64, 0, 11, 5, 36, 148, 186, 155, 132, 180,  
187, 187, 64, 136, 11, 153, 11, 138, 89, 187, 8, 8, 128, 0, 75, 144, 156, 203, 8, 187,  
139, 136, 139, 8, 184, 73, 68, 187, 180, 75, 132, 4, 64, 0, 137, 155, 187, 136, 128, 0,  
137, 176, 8, 136, 128, 176, 128, 139, 176, 0, 11, 185, 75, 180, 128, 20, 155, 176, 12,  
25,  
0, 11, 153, 152, 187, 9, 8, 153, 174, 234, 153, 91, 132, 11, 185, 152, 176, 180, 176,  
0,  
9, 153, 132, 184, 8, 128, 4, 144, 146, 178, 66, 75, 187, 185, 155, 73, 0, 152, 136,  
153,  
136, 176, 152, 153, 139, 176, 9, 169, 170, 252, 202, 169, 152, 139, 128, 137, 139,  
75, 136, 137,  
88, 184, 0, 4, 153, 0, 0, 0, 128, 0, 0, 0, 0, 8, 0, 128, 128, 11, 176,  
4, 0, 11, 0, 184, 8, 0, 184, 0, 128, 0, 128, 136, 128, 128, 8, 128, 0, 0, 0,  
4, 184, 128, 4, 11, 8, 64, 137, 184, 75, 176, 176, 32, 176, 128, 0, 0, 139, 8, 132,  
9, 136, 153, 128, 128, 0, 0, 152, 136, 192, 6, 88, 128, 136, 4, 64, 75, 9, 136, 155,  
75, 8, 176, 155, 4, 2, 4, 8, 0, 148, 128, 8, 8, 0, 8, 139, 38, 36, 72, 152,  
53, 152, 187, 11, 132, 32, 176, 72, 187, 176, 8, 187, 184, 139, 0, 75, 187, 11, 176,  
180,  
144, 144, 137, 8, 184, 0, 0, 187, 152, 8, 180, 0, 180, 128, 136, 136, 155, 11, 187, 0,  
152, 176, 72, 185, 187, 11, 0, 75, 0, 11, 136, 152, 8, 176, 176, 128, 136, 132, 136,  
139,  
187, 187, 0, 8, 136, 148, 146, 11, 155, 74, 152, 187, 11, 68, 68, 136, 136, 139, 4, 85,  
64, 180, 68, 0, 0, 64, 0, 184, 144, 8, 4, 0, 8, 184, 64, 64, 138, 108, 148, 4,  
41, 68, 0, 75, 68, 202, 128, 137, 41, 144, 128, 8, 128, 4, 128, 8, 137, 176, 136, 153,  
153, 136, 0, 8, 0, 73, 180, 0, 0, 64, 0, 64, 68, 75, 185, 64, 72, 8, 128, 0,  
11, 187, 9, 8, 136, 128, 136, 187, 0, 144, 73, 68, 187, 144, 185, 218, 152, 128, 186,  
80,  
0, 185, 185, 185, 80, 8, 153, 136, 174, 234, 159, 212, 4, 2, 64, 11, 180, 180, 185,  
176,  
136, 153, 194, 9, 176, 152, 8, 176, 157, 155, 75, 11, 75, 185, 132, 68, 75, 8, 0, 72,



156, 169, 152, 152, 136, 11, 73, 153, 154, 204, 170, 153, 153, 139, 187, 8, 8, 146,  
136, 0,  
0, 0, 0, 136, 0, 0, 0, 0, 128, 0, 0, 8, 0, 128, 136, 136, 128, 0, 8, 187,  
176, 64, 4, 0, 11, 8, 128, 155, 8, 128, 0, 136, 144, 0, 128, 128, 132, 0, 176, 136,  
11, 128, 139, 0, 0, 8, 180, 185, 136, 0, 176, 176, 176, 8, 128, 4, 11, 152, 4, 75,  
184, 176, 139, 0, 184, 176, 0, 152, 8, 203, 76, 104, 136, 0, 0, 0, 4, 184, 137, 8,  
144, 0, 11, 176, 187, 8, 176, 75, 136, 11, 9, 0, 4, 0, 9, 139, 180, 144, 176, 153,  
218, 43, 176, 64, 8, 155, 64, 152, 134, 168, 137, 11, 152, 139, 184, 136, 0, 8, 0, 9,  
187, 176, 187, 72, 176, 0, 180, 139, 184, 139, 0, 73, 4, 64, 4, 0, 34, 185, 0, 0,  
187, 153, 11, 139, 11, 0, 0, 0, 4, 0, 11, 128, 176, 0, 176, 176, 0, 0, 152, 8,  
8, 184, 176, 139, 136, 136, 155, 128, 137, 153, 152, 4, 155, 64, 184, 128, 137, 152,  
2, 4,  
0, 187, 64, 0, 11, 11, 185, 73, 176, 136, 11, 0, 137, 184, 4, 64, 185, 169, 0, 68,  
187, 185, 0, 9, 11, 137, 136, 128, 0, 8, 128, 8, 128, 128, 72, 137, 180, 64, 8, 136,  
136, 8, 64, 0, 8, 187, 0, 0, 128, 0, 153, 136, 4, 0, 9, 64, 8, 8, 176, 9,  
155, 64, 0, 8, 136, 8, 40, 152, 176, 0, 128, 176, 0, 11, 11, 68, 68, 155, 152, 184,  
11, 187, 144, 130, 43, 149, 185, 137, 156, 201, 153, 152, 0, 68, 64, 139, 128, 9, 184,  
153,  
128, 137, 241, 11, 0, 40, 187, 184, 11, 75, 155, 187, 144, 152, 187, 187, 8, 68, 11,  
72,  
167, 248, 136, 136, 155, 4, 153, 41, 136, 202, 169, 136, 152, 176, 43, 176, 187, 132,  
8, 136,  
176, 136, 0, 8, 0, 0, 9, 0, 8, 0, 8, 8, 0, 139, 72, 139, 0, 184, 4, 176,  
0, 0, 176, 176, 185, 176, 150, 187, 144, 139, 64, 128, 176, 0, 144, 0, 8, 11, 0, 0,  
128, 8, 0, 132, 11, 0, 64, 8, 132, 11, 0, 11, 72, 187, 176, 0, 0, 128, 8, 4,  
11, 0, 0, 0, 68, 184, 0, 185, 8, 128, 4, 187, 187, 128, 176, 0, 0, 152, 9, 0,  
64, 0, 146, 68, 136, 176, 11, 180, 176, 64, 176, 0, 128, 73, 152, 176, 68, 152, 136,  
136,  
153, 0, 149, 144, 11, 0, 144, 137, 133, 144, 64, 9, 42, 148, 72, 64, 0, 187, 187, 8,  
4, 176, 11, 137, 176, 0, 139, 11, 0, 0, 11, 68, 68, 64, 11, 180, 155, 137, 152, 11,  
155, 185, 139, 180, 68, 32, 75, 11, 64, 176, 176, 128, 155, 180, 8, 11, 128, 11, 185,  
128,







187, 187, 187, 187, 187, 177, 177, 17, 17, 177, 187, 27, 187, 187, 187, 179, 179, 51,  
51, 51,  
51, 51, 179, 187, 177, 177, 17, 17, 17, 17, 17, 17, 17, 17, 17, 17, 17, 17, 17, 17, 177,  
17, 177, 17, 17, 17, 17, 17, 17, 17, 17, 17, 17, 17, 17, 17, 17, 17, 17, 17, 17, 17,  
17, 17, 17, 17, 17, 17, 17, 17, 17, 17, 17, 17, 17, 17, 17, 17, 187, 59, 187, 187,  
17, 177, 17, 17, 17, 17, 17, 17, 17, 17, 17, 17, 17, 17, 17, 177, 177, 17, 17, 17,  
17, 17, 17, 17, 17, 17, 17, 17, 17, 17, 17, 17, 17, 17, 17, 177, 177, 187, 187,  
187, 187, 59, 187, 187, 187, 27, 17, 17, 17, 17, 17, 17, 17, 17, 17, 177, 187, 187,  
187,  
187, 187, 187, 179, 51, 51, 51, 51, 51, 51, 211, 211, 51, 211, 61, 51, 51, 179, 187,  
187,  
187, 59, 211, 211, 221, 216, 216, 13, 0, 208, 208, 0, 208, 13, 0, 208, 208, 0, 208,  
216,  
216, 216, 216, 61, 51, 211, 216, 216, 221, 141, 13, 13, 0, 208, 13, 0, 0, 208, 0, 0,  
13, 0, 0, 208, 0, 13, 13, 13, 13, 141, 13, 141, 141, 141, 141, 13, 13, 13, 0,  
13, 0, 0, 0, 208, 0, 208, 0, 13, 0, 13, 13, 13, 13, 0, 13, 0, 0, 0, 208,  
187, 17, 187, 179, 51, 56, 56, 56, 136, 136, 136, 128, 0, 0, 0, 0, 0, 0, 0,  
0, 0, 0, 0, 0, 0, 0, 0, 0, 0, 0, 0, 128, 128, 0, 0, 0, 0, 0,  
0, 0, 0, 0, 0, 0, 0, 8, 136, 8, 131, 51, 51, 56, 136, 0, 0, 0, 0,  
0, 0, 0, 0, 0, 0, 0, 208, 8, 8, 128, 136, 131, 51, 59, 177, 30, 225, 17,  
17, 17, 238, 238, 102, 110, 102, 102, 102, 102, 102, 238, 110, 238, 238, 17, 17, 177,  
177, 187,  
177, 17, 17, 238, 238, 102, 102, 246, 111, 102, 102, 102, 102, 111, 102, 246, 255,  
102, 102, 102,  
102, 102, 102, 102, 246, 246, 102, 246, 111, 111, 255, 255, 111, 102, 111, 111, 255,  
255, 255, 255,  
255, 242, 255, 255, 255, 255, 255, 255, 47, 255, 246, 246, 102, 102, 255, 246, 110,  
17, 30, 230,  
102, 102, 102, 102, 111, 255, 255, 255, 255, 255, 102, 102, 102, 102, 102, 246, 102,  
102, 102, 102,  
246, 102, 102, 255, 255, 255, 111, 255, 246, 255, 255, 255, 246, 246, 102, 102, 102,  
110, 102, 238,

238, 17, 225, 17, 238, 230, 102, 102, 102, 111, 255, 255, 246, 246, 102, 102, 110,  
110, 110, 238,  
238, 110, 238, 17, 17, 187, 27, 27, 187, 187, 187, 187, 59, 187, 187, 177, 177, 17,  
17, 17,  
17, 27, 187, 51, 56, 136, 8, 128, 128, 0, 0, 208, 0, 0, 0, 0, 0, 208, 8, 8,  
136, 131, 51, 59, 179, 179, 51, 131, 136, 136, 128, 128, 0, 0, 0, 0, 0, 0, 0,  
0, 0, 0, 0, 0, 0, 0, 0, 128, 136, 136, 136, 136, 136, 136, 0, 128, 0, 0,  
0,  
187, 177, 187, 187, 179, 51, 56, 131, 136, 56, 136, 136, 128, 128, 0, 0, 0, 0, 0, 0,  
0, 0, 0, 0, 0, 0, 0, 0, 0, 13, 8, 8, 8, 8, 136, 8, 0, 0, 0,  
0, 13, 0, 0, 128, 0, 128, 136, 0, 8, 136, 136, 51, 179, 51, 136, 136, 128, 128, 0,  
0, 0, 0, 0, 0, 0, 0, 0, 0, 128, 136, 8, 136, 131, 51, 177, 17, 238, 17,  
17, 238, 30, 238, 238, 230, 102, 102, 246, 102, 102, 102, 238, 110, 238, 17, 17, 27,  
187, 177,  
187, 177, 177, 238, 230, 102, 102, 255, 246, 255, 255, 255, 111, 102, 255, 111, 102,  
246, 246, 246,  
102, 246, 102, 255, 255, 111, 255, 111, 255, 255, 255, 255, 246, 255, 255, 255, 255,  
255, 255, 255,  
255, 255, 255, 242, 255, 255, 255, 255, 255, 255, 255, 111, 255, 255, 111, 102, 110,  
17, 238, 230,  
102, 246, 246, 255, 255, 111, 255, 255, 255, 246, 255, 246, 255, 255, 102, 102, 102,  
102, 246, 255,  
111, 111, 255, 111, 255, 111, 255, 111, 255, 255, 111, 246, 255, 255, 255, 102, 102,  
102, 238, 238,  
225, 225, 30, 30, 238, 102, 102, 111, 255, 255, 111, 246, 255, 255, 255, 102, 102,  
110, 238, 238,  
110, 230, 225, 17, 187, 27, 177, 177, 187, 187, 187, 59, 179, 187, 187, 187, 17, 17,  
30, 30,  
17, 187, 179, 51, 131, 136, 128, 8, 0, 0, 0, 0, 0, 0, 0, 0, 8, 128, 136,  
131, 51, 51, 179, 179, 51, 56, 136, 136, 128, 136, 8, 8, 0, 0, 0, 0, 0, 0,  
0, 0, 0, 0, 0, 0, 128, 136, 136, 136, 131, 136, 131, 136, 8, 128, 0, 0, 0,  
0, 0, 0, 0, 0, 0, 0, 0, 0, 0, 8, 0, 0, 0, 0, 0, 0, 0,  
59, 187, 17, 27, 187, 51, 51, 56, 56, 136, 136, 136, 136, 8, 0, 0, 0, 0, 0, 0,

0, 0, 0, 0, 0, 0, 0, 0, 0, 0, 0, 0, 0, 0, 128, 0, 0, 128, 128, 0, 8,  
0, 0, 0, 0, 0, 128, 0, 0, 136, 128, 136, 136, 131, 51, 51, 56, 136, 8, 0, 0,  
0, 0, 208, 0, 0, 0, 0, 0, 0, 128, 8, 8, 136, 136, 51, 51, 187, 190, 30, 238,  
238, 225, 238, 225, 102, 110, 102, 102, 111, 102, 102, 102, 102, 22, 102, 97, 17, 17,  
27, 27,  
17, 187, 17, 17, 238, 102, 102, 246, 255, 102, 102, 102, 255, 255, 111, 255, 255,  
255, 102, 102,  
246, 102, 246, 102, 255, 255, 111, 246, 255, 255, 255, 255, 111, 111, 102, 255, 255,  
255, 255, 255,  
255, 255, 255, 255, 255, 255, 255, 255, 255, 255, 255, 255, 102, 111, 255, 255, 238,  
17, 238, 230,  
246, 102, 111, 111, 111, 255, 255, 255, 255, 255, 246, 111, 102, 102, 246, 102, 102,  
246, 111, 111,  
246, 246, 111, 255, 255, 255, 255, 246, 255, 111, 255, 111, 246, 246, 102, 246, 102,  
102, 102, 238,  
238, 30, 30, 238, 230, 102, 102, 246, 111, 111, 255, 255, 246, 246, 102, 102, 110,  
230, 230, 230,  
22, 225, 225, 17, 27, 177, 187, 187, 187, 187, 59, 187, 187, 187, 187, 17, 17, 30,  
225, 225,  
17, 187, 51, 51, 136, 136, 8, 128, 8, 8, 0, 0, 0, 0, 0, 128, 136, 128, 136, 136,  
56, 51, 59, 59, 59, 51, 136, 136, 136, 136, 0, 0, 0, 0, 0, 0, 0, 0, 0, 0,  
0, 0, 0, 0, 0, 13, 0, 136, 136, 136, 136, 136, 131, 136, 136, 128, 0, 128, 0, 0,  
0, 0, 0, 0, 0, 0, 0, 0, 13, 13, 8, 0, 0, 0, 0, 0, 0, 0, 0,  
51, 187, 187, 17, 27, 187, 51, 51, 51, 51, 56, 56, 136, 136, 136, 0, 0, 0, 0, 0,  
0, 0, 0, 0, 0, 0, 0, 0, 0, 0, 128, 8, 136, 128, 128, 8, 8, 0,  
8, 8, 0, 128, 128, 0, 128, 128, 0, 8, 136, 136, 131, 51, 59, 56, 136, 136, 128, 128,  
8, 0, 0, 0, 0, 0, 0, 0, 0, 128, 136, 136, 136, 136, 51, 59, 177, 30, 17,  
17, 17, 225, 102, 30, 102, 102, 102, 102, 255, 102, 102, 102, 97, 97, 230, 17, 17, 17,  
177,  
187, 17, 17, 238, 238, 102, 102, 111, 255, 255, 255, 255, 102, 246, 255, 111, 255,  
255, 255, 111,  
102, 246, 111, 255, 111, 111, 246, 255, 246, 255, 255, 255, 255, 255, 255, 255, 255,  
255, 255, 255,

255, 255, 47, 47, 255, 255, 47, 255, 47, 47, 255, 111, 255, 255, 255, 246, 110, 225,  
238, 102,  
111, 246, 255, 255, 246, 242, 255, 47, 255, 255, 111, 111, 255, 246, 111, 246, 246,  
111, 246, 246,  
255, 111, 255, 255, 242, 111, 246, 47, 255, 255, 255, 255, 255, 255, 246, 102, 102,  
102, 230, 238,  
238, 225, 238, 238, 110, 102, 111, 111, 246, 255, 255, 255, 255, 111, 246, 102, 102,  
110, 110, 102,  
102, 110, 17, 27, 177, 187, 17, 27, 187, 187, 187, 179, 187, 187, 17, 17, 17, 17, 30,  
17,  
27, 179, 51, 216, 136, 128, 128, 0, 128, 0, 0, 128, 8, 8, 8, 8, 0, 136, 136, 51,  
51, 51, 187, 179, 51, 136, 131, 136, 136, 8, 8, 0, 0, 0, 0, 0, 0, 0, 0, 0,  
0, 0, 0, 0, 13, 0, 136, 8, 136, 136, 131, 136, 56, 136, 0, 8, 0, 0, 0, 0,  
0,  
51, 51, 187, 27, 17, 187, 187, 51, 51, 131, 131, 131, 136, 136, 128, 136, 0, 0, 0, 0,  
0, 0, 0, 0, 0, 0, 0, 0, 0, 0, 0, 0, 0, 0, 128, 0, 136, 8, 128, 128, 8,  
0, 0, 8, 0, 8, 8, 0, 8, 0, 128, 8, 136, 136, 131, 51, 179, 56, 136, 136, 0,  
128, 0, 0, 0, 8, 0, 128, 128, 208, 128, 8, 0, 136, 136, 131, 131, 51, 187, 17, 102,  
110, 97, 230, 17, 102, 22, 102, 102, 111, 255, 246, 102, 102, 102, 102, 97, 97, 17,  
17, 27,  
17, 27, 17, 30, 238, 102, 102, 255, 111, 111, 111, 255, 255, 111, 102, 246, 246, 246,  
246, 246,  
246, 102, 102, 111, 255, 255, 255, 246, 255, 255, 111, 255, 255, 111, 111, 255, 255,  
255, 255, 255,  
255, 34, 242, 255, 255, 255, 255, 255, 255, 255, 255, 255, 246, 255, 255, 246, 110,  
30, 238, 230,  
246, 111, 111, 111, 242, 255, 255, 111, 47, 255, 38, 246, 246, 255, 246, 111, 98,  
102, 255, 255,  
111, 255, 111, 242, 246, 255, 255, 111, 255, 255, 255, 246, 255, 111, 111, 102, 102,  
102, 110, 238,  
225, 238, 238, 238, 102, 102, 246, 255, 255, 255, 255, 255, 111, 246, 111, 102, 102,  
230, 230, 238,



97, 17, 17, 17, 177, 17, 187, 187, 27, 187, 187, 187, 187, 177, 177, 17, 30, 238, 225,  
225,  
187, 51, 51, 136, 136, 136, 0, 128, 0, 8, 0, 0, 0, 0, 128, 0, 216, 136, 136, 56,  
51, 187, 59, 51, 56, 56, 136, 136, 128, 128, 128, 8, 0, 0, 0, 0, 0, 0, 0,  
0, 0, 0, 13, 0, 136, 8, 136, 136, 131, 136, 56, 136, 128, 136, 0, 0, 0, 0, 0,  
0, 0, 0, 0, 0, 0, 208, 208, 128, 8, 0, 0, 0, 0, 0, 0, 0, 0,  
131, 51, 59, 187, 177, 17, 27, 187, 51, 51, 56, 56, 56, 136, 136, 136, 8, 0, 0, 0,  
0, 0, 0, 0, 0, 0, 0, 0, 0, 0, 0, 0, 0, 128, 0, 128, 128, 128, 128,  
8, 8, 0, 8, 0, 0, 8, 0, 128, 136, 128, 136, 136, 131, 51, 59, 51, 56, 136, 136,  
0, 0, 0, 0, 0, 0, 0, 0, 0, 0, 8, 8, 136, 136, 56, 51, 187, 17, 30,  
30, 30, 225, 230, 22, 102, 102, 102, 111, 246, 111, 102, 102, 97, 102, 22, 102, 30,  
17, 17,  
27, 17, 17, 30, 30, 230, 102, 102, 255, 255, 255, 111, 246, 255, 255, 255, 255,  
246, 246,  
255, 111, 246, 246, 246, 255, 111, 255, 246, 255, 255, 255, 255, 255, 111, 255,  
255, 255, 255,  
47, 255, 255, 255, 242, 255, 255, 255, 242, 255, 255, 246, 242, 111, 255, 246, 110,  
225, 238, 111,  
255, 111, 255, 38, 246, 255, 242, 255, 255, 255, 102, 255, 255, 246, 111, 102, 102,  
111, 111, 111,  
255, 111, 255, 246, 242, 255, 255, 255, 255, 255, 255, 255, 246, 246, 246, 246,  
102, 230, 110,  
238, 238, 238, 230, 102, 111, 111, 111, 111, 255, 255, 255, 255, 255, 102, 102, 110,  
102, 102, 102,  
102, 97, 225, 27, 27, 27, 17, 187, 187, 187, 187, 187, 177, 27, 17, 17, 225, 225, 225,  
27,  
179, 51, 216, 56, 136, 0, 128, 8, 8, 0, 0, 8, 0, 128, 8, 136, 136, 136, 51, 51,  
59, 187, 179, 51, 56, 136, 136, 136, 136, 0, 0, 0, 0, 0, 0, 0, 0, 0,  
0, 0, 13, 0, 136, 8, 136, 136, 131, 131, 51, 136, 136, 128, 0, 128, 0, 0, 0, 0,  
0, 0, 0, 0, 0, 0, 0, 0, 0, 0, 0, 0, 0, 0, 0, 0, 0, 0,  
136, 131, 51, 187, 177, 17, 17, 187, 179, 51, 51, 51, 131, 56, 136, 136, 128, 136, 0,  
0,  
0, 0, 0, 0, 0, 0, 0, 0, 0, 0, 0, 13, 8, 8, 136, 8, 136, 8, 8,



47, 255, 242, 255, 242, 242, 242, 255, 47, 47, 47, 255, 255, 255, 255, 246, 102, 238,  
230, 111,  
38, 255, 242, 255, 255, 246, 47, 255, 47, 255, 111, 246, 47, 242, 111, 102, 102, 246,  
38, 255,  
38, 255, 246, 255, 255, 255, 255, 255, 255, 255, 255, 255, 255, 255, 102, 102, 102,  
102, 230, 230,  
238, 230, 110, 102, 102, 111, 111, 111, 255, 255, 255, 246, 255, 255, 111, 102, 102,  
102, 102, 110,  
102, 30, 17, 17, 17, 27, 17, 27, 187, 187, 27, 27, 177, 17, 30, 30, 238, 225, 17, 187,  
51, 56, 136, 136, 128, 0, 0, 136, 128, 0, 128, 128, 128, 8, 136, 136, 136, 51, 51, 59,  
187, 187, 51, 56, 136, 136, 136, 128, 128, 0, 0, 0, 0, 0, 0, 0, 0, 0, 0,  
13, 0, 128, 136, 136, 136, 131, 56, 131, 56, 56, 136, 128, 0, 8, 0, 0, 0, 0, 0,  
0, 0, 0, 0, 0, 0, 128, 128, 8, 0, 0, 0, 0, 0, 0, 0, 0, 0, 0,  
8, 136, 131, 51, 59, 187, 17, 17, 27, 187, 179, 51, 51, 51, 131, 56, 136, 136, 136, 0,  
8, 0, 0, 0, 0, 0, 0, 0, 0, 0, 0, 0, 0, 0, 8, 8, 8, 136, 8, 8,  
0, 8, 0, 0, 128, 136, 0, 0, 136, 8, 136, 0, 8, 136, 131, 51, 59, 179, 51, 136,  
128, 136, 8, 0, 0, 8, 0, 0, 0, 0, 0, 136, 8, 136, 136, 56, 131, 51, 187, 17,  
22, 97, 230, 97, 102, 22, 102, 102, 102, 102, 246, 255, 102, 246, 102, 102, 102, 110,  
97, 110,  
30, 30, 17, 238, 30, 230, 102, 255, 111, 255, 255, 111, 255, 255, 246, 246, 255, 111,  
255, 255,  
111, 255, 111, 102, 255, 255, 255, 255, 255, 255, 255, 255, 255, 255, 246, 255, 242,  
255, 47, 47,  
255, 47, 255, 242, 255, 255, 255, 242, 242, 255, 255, 255, 242, 255, 242, 255, 110,  
238, 230, 102,  
111, 255, 102, 242, 111, 47, 255, 255, 255, 242, 111, 242, 111, 102, 246, 47, 255,  
255, 111, 255,  
111, 255, 242, 242, 255, 47, 255, 255, 47, 47, 47, 255, 255, 111, 246, 246, 102, 102,  
102, 238,  
110, 110, 230, 102, 255, 255, 255, 255, 255, 255, 255, 255, 246, 102, 102, 102, 102,  
102, 102, 230,  
17, 97, 17, 17, 17, 17, 187, 177, 187, 27, 177, 27, 17, 17, 238, 238, 238, 17, 27, 187,  
51, 136, 56, 136, 136, 216, 128, 0, 0, 136, 0, 8, 8, 136, 8, 136, 131, 51, 187, 187,

179, 51, 51, 136, 56, 136, 136, 8, 8, 8, 0, 0, 0, 0, 0, 0, 0, 0, 0, 0,  
0, 0, 136, 8, 136, 56, 56, 131, 136, 136, 136, 136, 8, 0, 0, 0, 0, 0, 0,  
0, 0, 0, 0, 216, 136, 0, 0, 0, 0, 0, 0, 0, 0, 0, 0, 0, 0, 0, 0,  
128, 136, 136, 131, 51, 59, 187, 17, 17, 17, 187, 179, 51, 51, 51, 131, 51, 136, 136,  
8,  
0, 0, 0, 0, 0, 0, 0, 0, 0, 0, 0, 0, 0, 0, 0, 128, 0, 128, 136,  
136, 128, 136, 136, 0, 0, 128, 128, 0, 128, 0, 136, 136, 136, 136, 131, 51, 187, 51,  
56,  
136, 128, 128, 136, 8, 0, 0, 128, 8, 8, 8, 0, 128, 136, 136, 131, 131, 131, 59, 177,  
225, 102, 97, 102, 22, 102, 97, 102, 102, 111, 111, 102, 246, 111, 102, 102, 102,  
102, 230, 30,  
238, 17, 238, 30, 238, 102, 230, 102, 255, 255, 255, 255, 255, 246, 255, 255, 255,  
255, 255, 111,  
255, 111, 246, 255, 246, 255, 255, 255, 255, 255, 255, 242, 242, 255, 255, 255, 255,  
255, 255, 255,  
47, 242, 242, 255, 47, 255, 47, 255, 255, 255, 242, 255, 255, 255, 255, 246, 102,  
238, 102, 111,  
47, 111, 34, 111, 47, 255, 47, 47, 242, 111, 255, 111, 255, 47, 255, 102, 246, 38, 47,  
255,  
38, 242, 255, 47, 47, 255, 255, 47, 255, 255, 255, 255, 255, 246, 102, 111, 111, 102,  
238, 110,  
110, 230, 102, 102, 111, 111, 255, 255, 255, 255, 255, 246, 255, 255, 111, 102, 102,  
102, 102, 110,  
97, 17, 17, 17, 17, 27, 17, 27, 17, 177, 27, 17, 17, 30, 238, 238, 30, 17, 187, 51,  
51, 56, 216, 136, 0, 0, 8, 8, 128, 0, 8, 0, 128, 136, 136, 51, 51, 51, 179, 187,  
179, 51, 136, 56, 136, 136, 128, 128, 0, 0, 0, 0, 0, 0, 0, 0, 0, 0, 0,  
136, 136, 136, 136, 136, 131, 131, 56, 56, 56, 136, 128, 0, 128, 0, 8, 0, 0, 0, 0,  
0, 0, 0, 128, 0, 0, 8, 0, 0, 0, 0, 0, 0, 0, 0, 0, 0, 0, 0, 0,  
8, 136, 136, 136, 51, 51, 187, 177, 17, 17, 187, 187, 179, 51, 51, 51, 51, 131, 136,  
136,  
128, 128, 13, 0, 0, 0, 0, 0, 0, 0, 0, 0, 0, 0, 208, 8, 136, 136, 8,  
136, 141, 0, 0, 136, 128, 8, 8, 136, 0, 136, 0, 128, 136, 136, 131, 51, 51, 187, 51,  
136, 136, 136, 0, 0, 0, 128, 0, 0, 0, 128, 8, 8, 8, 8, 136, 56, 51, 51, 187,

17, 110, 102, 22, 102, 22, 111, 102, 102, 102, 246, 255, 255, 102, 246, 111, 102,  
102, 102, 110,  
238, 238, 238, 238, 238, 102, 102, 246, 255, 111, 255, 246, 255, 255, 255, 255, 255,  
255, 255, 255,  
246, 255, 111, 111, 255, 255, 255, 255, 255, 255, 255, 255, 255, 255, 255, 246, 47,  
47, 34, 255,  
242, 255, 255, 47, 255, 47, 255, 47, 47, 34, 255, 242, 255, 242, 255, 242, 110, 238,  
230, 246,  
111, 38, 111, 47, 255, 47, 255, 242, 255, 242, 255, 47, 47, 102, 38, 47, 47, 98, 255,  
246,  
98, 246, 47, 242, 255, 255, 47, 255, 47, 47, 255, 242, 111, 255, 246, 246, 102, 102,  
102, 110,  
102, 110, 102, 255, 255, 255, 255, 255, 255, 255, 255, 255, 246, 102, 102, 102, 102,  
102, 102, 238,  
22, 17, 30, 30, 17, 27, 27, 177, 187, 27, 17, 17, 238, 238, 30, 238, 225, 17, 187, 51,  
56, 131, 136, 136, 136, 128, 128, 128, 8, 128, 128, 136, 8, 136, 131, 131, 51, 59,  
187, 179,  
179, 51, 131, 136, 136, 136, 8, 0, 128, 128, 0, 128, 0, 0, 8, 0, 0, 0, 128, 141,  
8, 8, 136, 131, 51, 56, 56, 56, 136, 136, 128, 0, 128, 0, 8, 0, 8, 8, 0, 128,  
0, 128, 128, 13, 136, 8, 0, 0, 0, 0, 0, 0, 0, 0, 0, 0, 0, 0, 0, 0,  
0, 0, 136, 136, 136, 51, 59, 187, 17, 17, 17, 27, 187, 179, 51, 51, 51, 51, 136, 136,  
136, 8, 0, 0, 0, 0, 0, 0, 0, 0, 0, 0, 0, 0, 0, 128, 0, 8, 136,  
128, 136, 136, 136, 0, 8, 128, 128, 0, 136, 0, 136, 8, 8, 136, 136, 51, 51, 187, 51,  
56, 136, 128, 136, 128, 216, 0, 128, 128, 128, 0, 128, 128, 216, 136, 136, 131, 131,  
51, 187,  
177, 22, 110, 102, 22, 102, 22, 97, 102, 111, 111, 111, 255, 255, 111, 102, 246, 246,  
175, 102,  
230, 238, 238, 238, 230, 238, 102, 111, 111, 255, 255, 255, 255, 255, 255, 255, 255,  
255, 255, 255,  
255, 255, 255, 246, 255, 255, 255, 255, 255, 255, 255, 242, 242, 255, 255, 255, 255,  
255, 255, 47,  
255, 242, 47, 255, 47, 242, 255, 242, 255, 255, 47, 255, 47, 255, 47, 246, 102, 230,  
102, 98,

255, 98, 255, 255, 47, 242, 242, 255, 47, 246, 255, 111, 111, 47, 111, 111, 98, 246,  
255, 242,  
246, 47, 242, 255, 47, 47, 255, 47, 242, 255, 242, 255, 255, 246, 111, 102, 38, 102,  
110, 102,  
110, 102, 102, 111, 255, 246, 255, 255, 255, 255, 255, 255, 111, 246, 246, 102, 246,  
102, 102, 230,  
17, 30, 17, 17, 17, 17, 177, 27, 17, 17, 17, 17, 225, 238, 238, 110, 17, 27, 51, 51,  
56, 141, 136, 128, 0, 8, 8, 8, 0, 8, 8, 8, 141, 136, 56, 51, 51, 187, 187, 179,  
51, 56, 56, 136, 136, 128, 128, 128, 0, 0, 0, 0, 0, 128, 0, 0, 0, 128, 8, 0,  
136, 136, 136, 56, 131, 131, 51, 131, 136, 136, 8, 0, 0, 0, 0, 0, 0, 0, 0, 0,  
128, 0, 8, 128, 0, 128, 0, 0, 0, 0, 0, 0, 0, 0, 0, 0, 0, 0, 0,  
0, 136, 8, 136, 136, 51, 51, 59, 187, 17, 17, 17, 187, 187, 51, 51, 51, 51, 51, 56,  
136, 136, 128, 128, 8, 0, 0, 0, 0, 0, 0, 0, 0, 0, 0, 136, 128, 128,  
136, 136, 136, 128, 136, 128, 8, 8, 136, 0, 136, 8, 136, 136, 136, 136, 131, 51, 187,  
187,  
51, 56, 136, 128, 8, 0, 8, 0, 8, 8, 8, 0, 8, 0, 136, 216, 56, 51, 51, 59,  
177, 238, 102, 97, 102, 102, 102, 102, 102, 111, 111, 255, 255, 246, 246, 246, 246,  
246, 246, 102,  
102, 238, 166, 238, 110, 102, 102, 111, 111, 111, 255, 255, 255, 255, 255, 255, 255,  
255, 255, 255,  
255, 111, 255, 255, 111, 111, 255, 255, 255, 255, 242, 255, 255, 242, 255, 255, 255,  
47, 47, 242,  
242, 255, 242, 47, 255, 47, 242, 255, 47, 47, 242, 255, 242, 255, 242, 255, 254, 110,  
102, 246,  
242, 246, 38, 47, 242, 255, 255, 47, 255, 47, 255, 47, 47, 98, 255, 47, 246, 47, 242,  
246,  
47, 242, 255, 47, 255, 242, 255, 255, 255, 255, 255, 255, 255, 98, 102, 246, 230,  
102, 102, 230,  
102, 102, 255, 255, 255, 255, 255, 255, 255, 255, 255, 255, 246, 246, 102, 102, 102, 102,  
246, 102, 225,  
238, 225, 22, 30, 17, 27, 17, 177, 27, 17, 17, 238, 238, 238, 110, 17, 17, 187, 179,  
56,

131, 136, 136, 8, 136, 128, 0, 128, 136, 8, 208, 136, 136, 56, 51, 51, 187, 187, 187,  
51,  
51, 136, 136, 136, 136, 8, 0, 0, 128, 8, 8, 0, 0, 0, 0, 128, 128, 8, 128, 216,  
136, 131, 51, 131, 51, 131, 56, 56, 136, 128, 0, 8, 0, 8, 0, 0, 0, 0, 8,  
8, 136, 128, 8, 8, 0, 0, 0, 0, 0, 0, 0, 0, 0, 0, 0, 0, 0,  
0, 0, 128, 8, 136, 136, 51, 59, 187, 177, 17, 17, 17, 187, 187, 51, 51, 51, 51, 51,  
56, 136, 136, 8, 0, 0, 0, 0, 0, 0, 0, 0, 0, 208, 0, 8, 8,  
136, 136, 136, 136, 128, 136, 128, 128, 0, 136, 0, 128, 13, 128, 136, 136, 131, 131,  
51, 187,  
51, 51, 136, 136, 128, 136, 0, 128, 0, 0, 0, 128, 128, 136, 8, 136, 131, 136, 51, 59,  
187, 17, 230, 102, 102, 22, 102, 22, 102, 102, 246, 255, 255, 255, 255, 111,  
255, 255, 102,  
166, 102, 110, 238, 230, 230, 102, 102, 255, 255, 255, 255, 255, 255, 255, 255, 255,  
255, 255, 255,  
255, 255, 111, 255, 255, 255, 242, 242, 255, 242, 255, 242, 242, 255, 255, 242, 255,  
47, 242, 255,  
47, 34, 255, 242, 47, 255, 47, 47, 242, 242, 255, 47, 255, 47, 255, 47, 102, 230, 98,  
98,  
246, 47, 255, 242, 255, 47, 47, 242, 255, 255, 47, 98, 98, 246, 246, 111, 47, 98, 255,  
255,  
242, 255, 34, 242, 242, 255, 242, 47, 47, 47, 255, 242, 255, 246, 255, 111, 246, 102,  
102, 102,  
102, 102, 102, 246, 255, 255, 255, 255, 255, 255, 255, 255, 246, 111, 102, 102, 102,  
102, 110, 230,  
17, 22, 17, 17, 17, 17, 17, 17, 17, 17, 238, 30, 238, 102, 238, 225, 17, 179, 51, 51,  
141, 136, 136, 128, 0, 136, 136, 8, 0, 128, 136, 136, 136, 51, 51, 187, 187, 187, 179,  
51,  
56, 56, 56, 136, 136, 128, 128, 128, 0, 0, 0, 0, 0, 0, 128, 8, 8, 128, 8, 136,  
136, 56, 131, 51, 131, 56, 131, 136, 136, 8, 8, 0, 0, 0, 0, 0, 0, 128, 128,  
128, 0, 8, 0, 0, 0, 0, 0, 0, 0, 0, 0, 0, 0, 0, 0, 0,  
0, 0, 8, 128, 136, 136, 131, 51, 59, 187, 177, 17, 17, 17, 187, 187, 59, 51, 51, 51,  
51, 136, 136, 136, 128, 128, 13, 0, 0, 0, 0, 0, 0, 0, 0, 8, 8, 136,

8, 8, 136, 136, 136, 128, 136, 8, 136, 8, 136, 136, 128, 136, 136, 136, 136, 51, 51,  
187,  
187, 51, 56, 136, 136, 0, 136, 8, 128, 136, 128, 8, 8, 8, 128, 136, 136, 51, 51, 51,  
187, 190, 238, 102, 102, 102, 102, 102, 102, 111, 111, 246, 255, 255, 255, 255, 255,  
255, 246, 255,  
246, 106, 102, 102, 110, 102, 102, 102, 102, 255, 255, 255, 255, 255, 255, 255, 255,  
255, 255, 255,  
255, 255, 255, 255, 246, 255, 47, 255, 242, 255, 47, 47, 255, 47, 255, 255, 255, 242,  
255, 47,  
255, 255, 34, 255, 242, 47, 255, 242, 255, 47, 47, 242, 242, 255, 255, 255, 246, 102,  
102, 111,  
242, 111, 47, 47, 47, 242, 242, 47, 47, 47, 111, 47, 38, 47, 242, 47, 98, 255, 255, 47,  
111, 47, 255, 255, 255, 34, 255, 242, 255, 255, 47, 255, 255, 255, 111, 102, 102,  
102, 102, 102,  
102, 38, 255, 255, 255, 255, 255, 255, 255, 255, 255, 255, 255, 111, 246, 111, 111, 111,  
102, 110, 225,  
230, 225, 225, 225, 17, 17, 17, 17, 17, 225, 30, 238, 238, 238, 97, 17, 27, 59, 51,  
136,  
56, 136, 128, 8, 128, 0, 0, 128, 136, 136, 136, 136, 51, 51, 51, 187, 187, 187, 51, 51,  
131, 136, 136, 136, 0, 8, 0, 8, 8, 0, 0, 8, 0, 128, 8, 0, 0, 136, 136, 136,  
131, 131, 56, 51, 51, 131, 136, 136, 0, 0, 0, 0, 8, 0, 128, 128, 128, 128, 0, 8,  
8, 136, 128, 8, 0, 0, 0, 0, 0, 0, 0, 0, 0, 0, 0, 0, 0, 0, 0,  
0, 0, 128, 8, 128, 136, 136, 131, 51, 59, 177, 17, 17, 17, 17, 187, 187, 51, 51, 51,  
51, 51, 136, 136, 136, 8, 0, 8, 0, 0, 0, 0, 0, 0, 0, 0, 0, 0, 0,  
136, 136, 136, 136, 136, 136, 128, 141, 8, 128, 128, 128, 136, 8, 8, 136, 136, 131,  
51, 59,  
187, 179, 51, 136, 136, 136, 0, 128, 8, 0, 8, 0, 128, 208, 8, 136, 136, 131, 131, 51,  
59, 177, 30, 102, 102, 102, 102, 102, 102, 111, 111, 255, 255, 255, 255, 255, 255,  
162, 242, 162,  
98, 102, 102, 110, 102, 102, 102, 246, 255, 255, 255, 255, 255, 255, 255, 255, 255,  
255, 255, 255,  
255, 255, 255, 255, 111, 255, 255, 47, 255, 47, 255, 255, 47, 242, 242, 255, 242,  
255, 34, 242,



34, 242, 255, 34, 255, 242, 242, 255, 47, 242, 242, 255, 255, 242, 34, 255, 102, 110,  
98, 98,  
255, 47, 242, 255, 242, 255, 255, 255, 255, 242, 255, 255, 255, 255, 38, 98, 255, 47,  
47, 255,  
47, 242, 34, 242, 242, 255, 47, 47, 242, 242, 255, 47, 255, 246, 246, 246, 102, 102,  
102, 98,  
102, 102, 255, 98, 255, 255, 242, 255, 255, 255, 255, 255, 102, 111, 102, 246, 102,  
102, 230, 22,  
17, 238, 17, 225, 17, 17, 17, 17, 30, 30, 238, 230, 230, 110, 238, 17, 179, 179, 56,  
56,  
136, 136, 136, 128, 136, 136, 136, 8, 128, 136, 136, 131, 131, 51, 59, 187, 187, 179,  
51, 56,  
56, 136, 136, 136, 136, 0, 128, 0, 0, 8, 8, 0, 128, 8, 0, 8, 136, 136, 136, 51,  
51, 51, 51, 51, 131, 136, 136, 128, 136, 8, 8, 0, 0, 0, 0, 0, 0, 8, 136, 128,  
128, 128, 8, 0, 0, 0, 0, 0, 0, 0, 0, 0, 0, 0, 0, 0, 0, 0, 0,  
0, 0, 0, 0, 8, 136, 136, 136, 51, 51, 187, 177, 17, 17, 17, 27, 187, 187, 179, 179,  
179, 51, 51, 136, 136, 136, 128, 128, 0, 128, 0, 0, 0, 0, 0, 0, 208, 8, 136,  
8, 8, 136, 136, 136, 136, 8, 136, 136, 8, 8, 8, 8, 136, 136, 136, 136, 56, 131, 51,  
187, 187, 51, 51, 136, 128, 136, 8, 128, 128, 128, 208, 8, 136, 136, 136, 136, 56, 51,  
51,  
51, 187, 17, 102, 102, 102, 102, 102, 102, 102, 246, 246, 255, 255, 255, 242, 255,  
34, 242, 34,  
102, 38, 102, 38, 166, 110, 102, 102, 111, 111, 255, 255, 255, 255, 255, 255, 255,  
255, 255, 255,  
47, 255, 255, 255, 255, 255, 255, 242, 255, 242, 242, 255, 242, 255, 47, 255, 47, 47,  
255, 255,  
255, 47, 47, 255, 34, 255, 255, 34, 242, 255, 47, 242, 242, 255, 255, 47, 246, 102,  
98, 98,  
242, 98, 255, 242, 255, 34, 47, 34, 47, 255, 47, 47, 47, 38, 242, 246, 47, 255, 255,  
47,  
47, 47, 255, 47, 47, 47, 242, 255, 47, 255, 255, 255, 255, 255, 242, 98, 98, 102, 102,  
102,

98, 98, 242, 255, 255, 242, 242, 242, 255, 255, 255, 255, 255, 102, 102, 102, 111,  
102, 238, 97,  
110, 30, 97, 30, 30, 17, 17, 17, 238, 238, 238, 238, 110, 238, 17, 27, 187, 51, 61,  
131,  
136, 136, 8, 8, 0, 141, 8, 136, 136, 136, 131, 51, 51, 59, 187, 27, 187, 51, 51, 131,  
136, 136, 136, 0, 0, 128, 8, 0, 128, 0, 0, 0, 8, 0, 136, 128, 136, 136, 131, 131,  
131, 51, 51, 56, 56, 136, 136, 8, 0, 128, 0, 8, 8, 8, 8, 8, 8, 128, 8, 136,  
128, 0, 0, 0, 0, 0, 0, 0, 0, 0, 0, 0, 0, 0, 0, 0, 0, 0, 0, 0,  
0, 0, 0, 128, 128, 8, 136, 136, 136, 51, 59, 187, 177, 17, 22, 17, 27, 187, 187, 59,  
51, 51, 51, 51, 136, 136, 128, 128, 128, 0, 0, 13, 0, 0, 0, 0, 0, 0, 0,  
128, 136, 8, 136, 136, 136, 136, 136, 8, 136, 136, 136, 136, 8, 128, 136, 136, 131,  
51, 51,  
59, 177, 187, 51, 136, 136, 128, 128, 8, 13, 0, 128, 128, 0, 8, 128, 136, 131, 136, 51,  
59, 187, 17, 238, 102, 102, 102, 102, 102, 255, 111, 255, 255, 255, 34, 34, 79, 34,  
34, 34,  
146, 162, 46, 230, 46, 98, 102, 38, 102, 255, 255, 255, 255, 255, 255, 255, 255, 255,  
255, 47,  
255, 255, 255, 255, 255, 255, 242, 255, 47, 47, 255, 47, 47, 242, 255, 255, 255, 242,  
34, 242,  
47, 242, 242, 47, 255, 47, 47, 255, 242, 34, 242, 47, 47, 47, 47, 255, 246, 102, 102,  
38,  
38, 47, 242, 255, 47, 255, 242, 255, 242, 255, 255, 255, 255, 98, 246, 47, 47, 34,  
255, 255,  
98, 242, 47, 242, 242, 255, 47, 242, 255, 47, 47, 47, 255, 255, 102, 102, 102, 102,  
38, 98,  
102, 246, 246, 242, 242, 255, 255, 255, 255, 255, 255, 255, 102, 246, 255, 111, 102,  
110, 238, 230,  
30, 97, 30, 17, 225, 17, 30, 238, 30, 238, 110, 102, 238, 110, 17, 187, 51, 61, 56,  
136,  
136, 136, 128, 136, 136, 8, 8, 128, 136, 131, 56, 51, 51, 187, 187, 187, 179, 179, 56,  
56,  
136, 136, 136, 136, 128, 8, 0, 8, 0, 128, 128, 128, 128, 8, 0, 136, 136, 136, 51, 51,  
51, 51, 51, 131, 136, 136, 136, 0, 8, 0, 128, 0, 0, 0, 0, 0, 128, 8, 136, 0,

8, 8, 0, 0, 0, 0, 0, 0, 0, 0, 0, 0, 0, 0, 0, 0, 0, 0, 0, 0,  
0, 0, 0, 0, 0, 128, 8, 136, 136, 131, 51, 59, 187, 17, 17, 22, 17, 17, 187, 179,  
187, 179, 179, 51, 51, 136, 136, 128, 128, 8, 8, 0, 0, 0, 0, 0, 13, 0, 8, 0,  
8, 8, 136, 136, 136, 136, 136, 136, 136, 136, 128, 136, 128, 136, 128, 136, 136, 136, 136,  
131, 51,  
51, 187, 187, 179, 51, 136, 136, 136, 128, 128, 128, 8, 8, 136, 128, 136, 136, 136,  
51, 51,  
51, 59, 177, 30, 102, 246, 102, 102, 102, 102, 255, 111, 255, 255, 47, 34, 255, 41,  
68, 148,  
146, 38, 34, 46, 226, 238, 102, 226, 98, 111, 255, 255, 255, 242, 255, 255, 255, 255,  
255, 242,  
242, 255, 255, 255, 255, 255, 255, 47, 255, 255, 47, 242, 242, 255, 242, 242, 255,  
47, 255, 47,  
242, 47, 47, 242, 34, 242, 255, 34, 255, 255, 255, 255, 255, 255, 242, 255, 246, 102,  
38, 34,  
98, 255, 47, 242, 242, 242, 47, 47, 47, 47, 47, 47, 47, 38, 47, 255, 255, 255, 47, 34,  
47, 255, 242, 242, 255, 47, 255, 47, 47, 242, 255, 255, 255, 255, 47, 38, 246, 102,  
102, 102,  
98, 242, 242, 255, 47, 242, 242, 242, 255, 255, 255, 246, 246, 246, 102, 246, 102,  
102, 110, 97,  
110, 22, 225, 225, 17, 238, 17, 30, 238, 102, 102, 230, 110, 17, 27, 187, 179, 51,  
131, 136,  
136, 136, 8, 136, 128, 136, 136, 136, 136, 56, 51, 51, 187, 187, 27, 27, 51, 51, 51,  
136,  
136, 136, 128, 0, 8, 0, 128, 128, 0, 0, 0, 8, 8, 136, 136, 136, 136, 51, 131, 51,  
51, 51, 131, 136, 136, 136, 0, 136, 0, 0, 8, 8, 0, 136, 136, 136, 136, 136, 8, 128,  
128, 0, 0, 0, 0, 0, 0, 0, 0, 0, 0, 0, 0, 0, 0, 0, 0, 0, 0, 0,  
0, 0, 0, 8, 8, 8, 0, 136, 136, 136, 51, 59, 187, 187, 17, 17, 17, 17, 27, 187,  
179, 187, 59, 179, 51, 51, 136, 136, 136, 128, 128, 0, 0, 13, 0, 0, 0, 0, 0, 8,  
0, 128, 128, 136, 136, 136, 136, 136, 136, 136, 128, 136, 136, 136, 136, 136, 136,  
136, 56, 51,  
51, 187, 177, 179, 51, 56, 136, 136, 8, 8, 8, 128, 128, 0, 136, 8, 136, 136, 56, 131,

51, 179, 187, 30, 230, 102, 102, 102, 255, 255, 111, 255, 255, 242, 242, 36, 242, 68,  
153, 73,  
68, 146, 234, 98, 46, 38, 38, 110, 102, 38, 255, 242, 242, 255, 255, 255, 255, 242,  
242, 255,  
255, 242, 255, 242, 255, 255, 47, 242, 242, 242, 255, 47, 255, 34, 255, 47, 242, 242,  
47, 242,  
47, 242, 242, 47, 255, 255, 47, 255, 34, 34, 47, 34, 242, 242, 255, 47, 255, 102, 98,  
102,  
47, 242, 255, 47, 255, 47, 242, 255, 242, 255, 242, 242, 98, 98, 255, 47, 47, 47, 242,  
111,  
255, 34, 47, 47, 47, 242, 34, 255, 242, 255, 47, 255, 242, 255, 111, 102, 102, 38, 98,  
98,  
246, 255, 246, 47, 255, 47, 47, 255, 255, 242, 255, 255, 246, 111, 111, 102, 246,  
238, 238, 22,  
22, 225, 30, 30, 30, 30, 238, 238, 238, 230, 102, 110, 238, 225, 27, 179, 51, 211,  
136, 136,  
136, 136, 136, 128, 136, 128, 136, 136, 51, 131, 51, 51, 187, 177, 187, 179, 179, 56,  
136, 136,  
136, 136, 8, 136, 128, 128, 0, 0, 136, 8, 8, 8, 8, 8, 136, 131, 131, 51, 51, 51,  
51, 51, 56, 56, 136, 128, 128, 0, 128, 128, 0, 0, 128, 0, 0, 128, 136, 8, 128, 8,  
0,  
0, 0, 0, 0, 0, 0, 128, 8, 136, 136, 131, 51, 59, 187, 17, 17, 97, 97, 17, 27,  
187, 179, 187, 59, 51, 51, 51, 136, 136, 128, 128, 128, 128, 0, 0, 0, 208, 0, 8, 0,  
8, 8, 8, 136, 136, 136, 136, 136, 136, 136, 136, 136, 136, 136, 136, 128, 136, 136, 136,  
131, 131,  
51, 59, 187, 17, 179, 51, 136, 136, 136, 128, 128, 8, 8, 136, 8, 141, 136, 136, 131,  
51,  
51, 59, 187, 17, 230, 111, 102, 111, 102, 102, 255, 111, 255, 242, 34, 47, 41, 153,  
73, 148,  
153, 153, 146, 46, 226, 230, 226, 98, 102, 255, 255, 255, 255, 255, 242, 242, 255,  
255, 255, 47,  
47, 255, 242, 255, 255, 242, 255, 242, 255, 255, 47, 242, 47, 255, 47, 242, 255, 47,  
242, 255,

242, 47, 47, 47, 34, 47, 242, 34, 255, 255, 242, 255, 47, 47, 242, 242, 246, 102, 98,  
34,  
242, 255, 47, 242, 47, 242, 47, 34, 255, 242, 255, 255, 47, 47, 242, 98, 242, 242,  
255, 47,  
34, 255, 242, 242, 255, 47, 255, 47, 47, 47, 242, 255, 255, 255, 242, 111, 246, 102,  
102, 246,  
98, 242, 242, 242, 242, 255, 47, 242, 255, 255, 255, 255, 255, 255, 255, 246, 102,  
102, 230, 110,  
110, 238, 225, 225, 225, 238, 30, 238, 230, 110, 110, 230, 238, 17, 187, 59, 51, 56,  
56, 136,  
136, 136, 128, 136, 136, 136, 136, 136, 131, 51, 51, 187, 177, 187, 187, 179, 51, 51,  
56, 56,  
136, 136, 128, 0, 0, 8, 8, 8, 0, 128, 128, 136, 128, 136, 131, 131, 51, 51, 51, 51,  
51, 56, 136, 136, 136, 128, 8, 128, 8, 8, 8, 8, 8, 136, 136, 136, 8, 128, 8, 0,  
0, 128, 0, 0, 0, 0, 0, 0, 0, 0, 0, 0, 0, 0, 0, 0, 0, 0,  
0, 0, 0, 0, 0, 128, 8, 128, 8, 136, 136, 131, 51, 59, 187, 17, 17, 17, 97, 17,  
27, 187, 187, 187, 187, 51, 51, 56, 136, 136, 128, 128, 8, 128, 0, 8, 0, 0, 0, 0,  
128, 0, 136, 8, 136, 136, 136, 56, 136, 136, 136, 136, 136, 136, 136, 136, 136, 136,  
56, 51,  
51, 51, 187, 177, 187, 51, 56, 136, 136, 136, 8, 141, 8, 8, 8, 208, 136, 136, 56, 131,  
51, 51, 187, 177, 30, 102, 111, 102, 246, 255, 111, 255, 255, 242, 242, 34, 153, 73,  
153, 153,  
148, 73, 46, 34, 42, 38, 46, 102, 38, 38, 47, 47, 47, 34, 255, 255, 242, 242, 255, 255,  
242, 255, 47, 255, 47, 255, 242, 255, 47, 47, 242, 255, 242, 47, 242, 255, 47, 242,  
242, 34,  
47, 242, 242, 242, 255, 242, 255, 255, 34, 34, 242, 242, 255, 242, 47, 47, 255, 98,  
102, 98,  
255, 47, 255, 47, 242, 34, 255, 255, 34, 255, 34, 47, 255, 255, 47, 47, 255, 255, 47,  
242,  
242, 34, 47, 47, 34, 255, 34, 242, 255, 242, 255, 47, 242, 255, 246, 255, 98, 98, 38,  
98,  
255, 255, 255, 47, 255, 47, 242, 255, 242, 255, 255, 246, 111, 102, 246, 111, 102,  
238, 238, 238,

238, 97, 238, 238, 22, 30, 238, 230, 102, 102, 102, 110, 225, 27, 187, 51, 61, 56,  
136, 56,  
136, 136, 136, 136, 216, 136, 131, 51, 51, 51, 187, 177, 187, 27, 179, 51, 56, 136,  
136, 136,  
136, 128, 8, 136, 128, 128, 0, 128, 136, 8, 8, 8, 136, 131, 136, 51, 51, 51, 51, 51,  
51, 131, 136, 136, 128, 8, 0, 8, 0, 128, 128, 128, 128, 136, 136, 136, 128, 8, 0, 128,  
0,  
0, 0, 0, 8, 0, 0, 0, 8, 128, 136, 136, 136, 51, 51, 187, 177, 17, 97, 17, 17,  
17, 187, 187, 179, 187, 187, 179, 51, 51, 136, 136, 136, 128, 8, 8, 0, 8, 8, 0, 128,  
0, 8, 0, 128, 128, 136, 136, 136, 136, 136, 136, 136, 136, 136, 136, 136, 136, 136, 131,  
136, 131,  
131, 51, 187, 187, 17, 187, 51, 56, 136, 136, 136, 8, 128, 128, 128, 216, 136, 141,  
131, 51,  
51, 51, 187, 187, 30, 230, 246, 246, 111, 111, 255, 255, 255, 34, 34, 34, 73, 148,  
148, 148,  
153, 153, 146, 98, 226, 102, 226, 102, 102, 98, 111, 111, 255, 255, 242, 255, 47,  
255, 47, 47,  
47, 47, 255, 47, 255, 47, 255, 47, 242, 242, 255, 47, 47, 242, 255, 47, 242, 255, 47,  
242,  
242, 47, 34, 47, 34, 255, 47, 34, 242, 242, 47, 47, 34, 255, 242, 255, 255, 102, 34,  
38,  
47, 242, 34, 242, 34, 255, 34, 47, 255, 34, 255, 242, 47, 34, 111, 242, 242, 242, 242,  
255,  
47, 255, 34, 242, 255, 34, 242, 47, 242, 255, 47, 255, 255, 47, 242, 102, 102, 102,  
98, 246,  
242, 242, 242, 242, 47, 47, 255, 47, 255, 255, 255, 255, 255, 255, 246, 102, 102,  
102, 110, 102,  
238, 30, 97, 238, 97, 110, 102, 102, 230, 102, 102, 30, 17, 187, 179, 51, 211, 131,  
136, 136,  
136, 136, 136, 136, 136, 136, 56, 131, 51, 59, 187, 177, 17, 187, 179, 51, 51, 56,  
131, 136,  
136, 8, 128, 0, 8, 8, 136, 8, 0, 128, 136, 136, 136, 56, 51, 51, 51, 51, 51, 51,  
56, 56, 136, 136, 136, 128, 128, 128, 8, 8, 8, 8, 136, 136, 136, 8, 8, 128, 128, 0,

8, 0, 0, 0, 0, 0, 0, 0, 0, 0, 0, 0, 0, 0, 0, 0, 0, 0, 0, 0,  
0, 0, 0, 0, 0, 0, 0, 8, 8, 136, 136, 131, 51, 59, 187, 177, 17, 102, 97,  
17, 17, 27, 187, 187, 187, 179, 179, 51, 56, 136, 136, 8, 128, 128, 128, 0, 0, 0, 0,  
8, 0, 128, 8, 136, 136, 136, 131, 131, 136, 136, 136, 136, 136, 136, 136, 136, 136,  
131, 136,  
51, 51, 51, 187, 17, 27, 51, 51, 136, 136, 136, 128, 136, 136, 136, 8, 8, 136, 136,  
131,  
211, 51, 59, 187, 17, 238, 111, 255, 246, 255, 246, 255, 255, 255, 34, 34, 36, 153,  
153, 73,  
73, 73, 38, 38, 158, 38, 46, 38, 38, 38, 242, 47, 47, 242, 255, 47, 255, 47, 242, 242,  
255, 242, 242, 242, 255, 255, 47, 242, 255, 255, 47, 47, 242, 47, 47, 242, 255, 242,  
242, 47,  
47, 242, 255, 242, 47, 34, 242, 242, 47, 47, 34, 242, 255, 34, 47, 47, 255, 246, 102,  
34,  
98, 255, 255, 34, 255, 34, 255, 242, 242, 255, 47, 47, 255, 255, 47, 47, 47, 47, 255,  
47,  
34, 34, 255, 34, 34, 255, 47, 242, 255, 47, 242, 242, 255, 255, 255, 242, 98, 98, 246,  
242,  
255, 47, 255, 47, 242, 242, 255, 255, 47, 255, 255, 111, 111, 255, 111, 246, 102,  
238, 230, 238,  
110, 97, 22, 30, 22, 22, 22, 22, 102, 102, 110, 97, 17, 187, 59, 51, 51, 56, 136, 136,  
141, 136, 136, 216, 136, 56, 51, 51, 59, 179, 177, 27, 187, 179, 51, 51, 136, 136,  
136, 136,  
0, 136, 8, 136, 128, 0, 0, 128, 136, 136, 136, 136, 131, 51, 51, 51, 179, 51, 51, 51,  
56, 136, 136, 128, 0, 8, 8, 8, 128, 0, 128, 136, 136, 136, 136, 128, 128, 0, 0, 0,  
0,  
0, 0, 0, 0, 0, 8, 8, 0, 128, 136, 136, 136, 131, 51, 59, 187, 17, 17, 22,  
97, 17, 17, 187, 187, 187, 187, 187, 51, 51, 136, 136, 136, 136, 8, 8, 8, 0, 128, 8,  
0, 128, 8, 128, 8, 136, 136, 136, 136, 56, 56, 56, 56, 56, 56, 136, 56, 131, 136, 56,  
56, 51, 51, 187, 187, 27, 187, 51, 131, 136, 136, 136, 128, 208, 128, 136, 136, 216,  
131, 211,  
51, 51, 51, 187, 177, 238, 102, 111, 111, 246, 255, 255, 255, 34, 242, 34, 41, 73, 73,  
153,

148, 153, 34, 42, 38, 98, 226, 230, 102, 98, 102, 255, 242, 255, 47, 242, 242, 242,  
255, 255,  
242, 255, 47, 255, 47, 242, 242, 47, 242, 47, 242, 242, 47, 242, 242, 255, 242, 255,  
34, 242,  
242, 47, 34, 47, 242, 255, 47, 47, 242, 242, 242, 47, 34, 255, 34, 242, 255, 98, 34,  
38,  
47, 47, 34, 255, 34, 47, 34, 47, 34, 242, 242, 242, 34, 242, 242, 242, 255, 242, 242,  
242,  
47, 242, 34, 255, 255, 34, 242, 47, 34, 242, 255, 255, 47, 47, 242, 102, 38, 38, 98,  
246,  
47, 242, 34, 242, 242, 255, 47, 47, 255, 47, 255, 255, 255, 246, 246, 102, 102, 102,  
102, 110,  
238, 238, 97, 110, 110, 110, 102, 102, 102, 102, 22, 17, 27, 187, 51, 61, 56, 136, 56,  
136,  
136, 136, 136, 136, 131, 131, 51, 59, 59, 177, 177, 17, 187, 59, 51, 51, 51, 131, 136,  
136,  
136, 0, 128, 0, 8, 136, 8, 8, 8, 136, 136, 131, 56, 51, 51, 51, 51, 179, 51, 56,  
136, 136, 136, 8, 136, 128, 128, 0, 8, 136, 136, 136, 136, 136, 128, 136, 0, 8, 0, 0,  
0,  
0, 0, 0, 0, 0, 0, 0, 0, 128, 8, 0, 136, 136, 136, 51, 59, 187, 177, 17, 17,  
102, 22, 17, 17, 187, 187, 187, 187, 187, 51, 51, 56, 136, 136, 128, 128, 208, 128, 8,  
0,  
128, 8, 0, 8, 136, 128, 136, 136, 56, 131, 136, 136, 136, 136, 131, 136, 131, 136,  
131, 131,  
131, 51, 51, 187, 177, 177, 27, 179, 51, 56, 136, 136, 136, 136, 8, 141, 136, 136,  
141, 61,  
51, 51, 59, 59, 187, 238, 230, 246, 255, 255, 246, 255, 255, 242, 34, 34, 41, 153,  
153, 73,  
153, 153, 38, 34, 98, 102, 46, 38, 38, 38, 47, 47, 47, 47, 242, 255, 255, 255, 47, 47,  
47, 47, 255, 242, 242, 255, 255, 242, 47, 242, 255, 47, 242, 47, 47, 34, 47, 34, 242,  
47,  
34, 242, 47, 34, 34, 34, 242, 34, 34, 47, 47, 34, 255, 34, 255, 47, 255, 246, 102, 34,  
34, 34, 242, 34, 47, 34, 242, 242, 255, 47, 47, 47, 255, 47, 255, 47, 34, 47, 47, 47,



242, 34, 255, 34, 34, 255, 47, 242, 255, 47, 242, 242, 255, 255, 246, 242, 98, 111,  
38, 47,  
242, 255, 255, 47, 47, 47, 255, 255, 47, 255, 255, 255, 255, 255, 111, 102, 102, 102,  
238, 230,  
230, 238, 238, 230, 22, 22, 102, 102, 102, 102, 97, 17, 187, 179, 51, 51, 56, 56, 136,  
131,  
136, 136, 141, 51, 131, 51, 51, 59, 187, 177, 27, 187, 187, 51, 51, 136, 136, 136,  
136, 128,  
128, 136, 8, 136, 128, 8, 136, 136, 136, 136, 131, 131, 51, 51, 59, 187, 179, 51, 51,  
136,  
136, 136, 136, 128, 128, 8, 8, 136, 128, 136, 136, 136, 136, 136, 8, 0, 8, 0, 0, 0,  
0,  
0, 0, 0, 0, 8, 0, 0, 0, 8, 128, 136, 8, 136, 136, 131, 51, 59, 187, 17, 22,  
17, 97, 17, 17, 17, 27, 187, 187, 187, 187, 51, 51, 56, 136, 136, 136, 8, 8, 128, 128,  
8, 128, 136, 128, 0, 136, 136, 136, 136, 56, 56, 56, 131, 131, 136, 51, 136, 56, 56,  
136,  
56, 56, 51, 51, 187, 17, 17, 187, 51, 56, 136, 136, 136, 136, 136, 128, 216, 221, 131,  
131,  
131, 211, 59, 187, 187, 30, 238, 102, 255, 111, 255, 255, 255, 47, 34, 242, 34, 153,  
73, 148,  
153, 159, 34, 98, 102, 34, 226, 102, 102, 98, 111, 111, 255, 242, 255, 47, 34, 242,  
242, 242,  
255, 34, 242, 255, 255, 47, 242, 255, 255, 47, 34, 242, 255, 242, 242, 255, 242, 255,  
47, 34,  
242, 47, 242, 242, 255, 47, 47, 242, 255, 34, 34, 242, 34, 242, 34, 242, 255, 242, 34,  
255,  
255, 242, 47, 255, 242, 255, 47, 47, 34, 242, 242, 242, 34, 242, 47, 34, 242, 34, 242,  
242,  
47, 47, 34, 242, 242, 34, 242, 47, 47, 242, 47, 47, 47, 242, 242, 246, 38, 38, 242,  
255,  
47, 34, 47, 242, 242, 242, 47, 47, 242, 255, 255, 255, 242, 111, 102, 102, 110, 102,  
102, 230,

238, 238, 230, 238, 102, 102, 102, 102, 102, 110, 17, 17, 187, 179, 179, 211, 51,  
136, 131, 136,  
131, 131, 131, 131, 51, 51, 51, 187, 177, 27, 17, 187, 179, 51, 51, 51, 131, 136, 136,  
136,  
136, 128, 128, 128, 136, 128, 128, 136, 136, 136, 56, 51, 51, 179, 179, 51, 51, 51,  
56, 56,  
136, 136, 136, 8, 8, 128, 128, 128, 136, 136, 136, 136, 136, 128, 128, 128, 128, 0, 0,  
0,  
0,  
0, 8, 0, 128, 0, 0, 8, 0, 0, 0, 0, 128, 128, 136, 136, 51, 51, 59, 187, 17,  
22, 22, 102, 17, 17, 17, 27, 187, 187, 187, 187, 51, 51, 56, 136, 136, 136, 128, 8, 8,  
0, 0, 0, 8, 136, 8, 136, 136, 136, 56, 131, 131, 56, 56, 51, 136, 56, 136, 131, 131,  
131, 51, 51, 59, 59, 187, 17, 17, 179, 51, 56, 56, 136, 136, 136, 136, 136, 141, 141,  
136,  
51, 51, 51, 59, 59, 177, 238, 102, 246, 255, 255, 255, 255, 34, 242, 34, 36, 34, 153,  
153,  
146, 34, 34, 38, 34, 230, 46, 98, 98, 102, 255, 47, 47, 47, 34, 255, 255, 47, 255, 255,  
47, 255, 47, 47, 47, 242, 47, 242, 34, 242, 255, 47, 34, 47, 47, 34, 255, 34, 242, 242,  
47, 34, 34, 47, 34, 242, 34, 47, 34, 242, 242, 47, 47, 47, 255, 47, 255, 102, 98, 34,  
34, 34, 242, 34, 34, 34, 34, 242, 47, 34, 34, 47, 255, 47, 34, 255, 47, 255, 34, 47,  
34, 242, 242, 47, 47, 242, 47, 255, 242, 47, 255, 255, 242, 255, 246, 242, 111, 98,  
246, 47,  
242, 255, 242, 47, 47, 255, 255, 242, 255, 255, 255, 47, 255, 246, 246, 102, 102,  
102, 230, 110,  
230, 230, 238, 102, 230, 102, 102, 102, 102, 225, 225, 27, 187, 51, 51, 51, 136, 51,  
136, 136,  
136, 136, 56, 51, 51, 51, 187, 187, 17, 17, 187, 187, 51, 51, 56, 136, 136, 136, 136,  
128,  
128, 136, 8, 8, 128, 136, 136, 136, 136, 51, 51, 51, 179, 187, 59, 59, 51, 51, 136,  
136,  
136, 136, 8, 128, 136, 8, 136, 136, 136, 136, 136, 136, 136, 128, 0, 8, 0, 0, 0, 0,  
0,  
128, 0, 0, 0, 0, 0, 8, 8, 8, 8, 8, 8, 136, 136, 136, 51, 51, 187, 177,

17, 17, 97, 102, 17, 17, 17, 177, 177, 187, 187, 187, 51, 51, 136, 136, 136, 136, 128,  
128,  
136, 136, 136, 128, 0, 136, 8, 136, 136, 131, 56, 56, 131, 131, 136, 56, 51, 51, 136,  
51,  
56, 56, 51, 51, 187, 187, 177, 17, 187, 179, 51, 131, 136, 136, 136, 136, 136, 216,  
136, 61,  
141, 51, 51, 187, 187, 27, 30, 230, 111, 255, 111, 255, 255, 255, 34, 34, 47, 34, 34,  
34,  
34, 34, 98, 34, 102, 34, 226, 102, 102, 34, 98, 111, 255, 242, 255, 47, 47, 242, 47,  
47,  
242, 47, 255, 242, 242, 255, 242, 47, 255, 47, 47, 242, 255, 242, 242, 47, 34, 255,  
34, 47,  
34, 242, 255, 34, 242, 47, 47, 34, 47, 34, 34, 242, 242, 34, 34, 242, 255, 34, 47, 47,  
47, 255, 47, 47, 47, 34, 47, 47, 242, 255, 255, 242, 34, 242, 255, 34, 34, 34, 255,  
242,  
34, 34, 47, 34, 34, 47, 34, 34, 47, 242, 47, 34, 255, 255, 242, 246, 47, 38, 34, 242,  
47, 34, 47, 34, 242, 47, 47, 255, 47, 255, 255, 242, 255, 255, 102, 102, 102, 102,  
110, 230,  
238, 238, 102, 230, 102, 102, 102, 102, 102, 238, 17, 187, 179, 179, 51, 61, 56, 136,  
131, 131,  
211, 51, 131, 51, 51, 59, 187, 17, 17, 27, 187, 179, 51, 51, 51, 131, 136, 136, 136,  
136,  
136, 8, 136, 136, 8, 136, 136, 136, 51, 51, 51, 179, 187, 59, 179, 51, 51, 56, 56, 136,  
136, 136, 128, 136, 8, 136, 8, 136, 136, 136, 56, 136, 128, 8, 128, 128, 0, 0, 0, 0,  
0,  
136, 8, 0, 8, 0, 8, 0, 0, 0, 0, 0, 128, 128, 136, 136, 136, 131, 51, 59, 187,  
17, 17, 22, 22, 102, 17, 17, 27, 27, 177, 187, 187, 187, 51, 51, 136, 136, 136, 136, 8,  
0, 0, 0, 8, 136, 8, 128, 136, 136, 136, 131, 131, 56, 56, 51, 131, 136, 136, 51, 136,  
51, 51, 51, 51, 51, 187, 177, 17, 17, 179, 51, 56, 56, 56, 136, 136, 136, 216, 211,  
131,  
51, 51, 51, 59, 59, 187, 225, 238, 111, 255, 255, 255, 242, 47, 255, 242, 34, 34, 34,  
34,

34, 242, 38, 38, 70, 102, 38, 98, 98, 230, 246, 47, 34, 242, 242, 242, 242, 255, 242,  
242,  
47, 242, 34, 255, 47, 34, 47, 242, 34, 242, 242, 47, 34, 47, 47, 34, 255, 34, 255, 34,  
47, 34, 34, 242, 47, 34, 242, 47, 34, 242, 242, 34, 47, 242, 242, 47, 47, 102, 242, 98,  
242, 34, 242, 47, 34, 47, 34, 242, 47, 34, 34, 47, 47, 47, 34, 47, 255, 47, 34, 34,  
242, 242, 242, 242, 47, 34, 255, 242, 242, 47, 242, 255, 47, 47, 255, 34, 98, 98, 255,  
255,  
242, 255, 242, 255, 47, 242, 242, 242, 255, 47, 47, 255, 255, 102, 102, 102, 102,  
102, 102, 230,  
110, 102, 238, 102, 102, 102, 111, 102, 97, 225, 27, 187, 179, 51, 51, 51, 51, 131,  
136, 56,  
56, 56, 51, 51, 59, 187, 187, 17, 235, 27, 187, 59, 51, 61, 136, 136, 56, 136, 136, 8,  
8, 128, 128, 136, 136, 136, 136, 51, 51, 51, 59, 59, 59, 179, 51, 51, 51, 136, 136,  
136,  
136, 8, 8, 8, 136, 8, 136, 136, 56, 56, 136, 136, 8, 0, 0, 0, 0, 0, 0, 0,  
0,  
136, 128, 136, 0, 136, 0, 0, 128, 0, 128, 128, 8, 8, 8, 136, 136, 136, 131, 51, 187,  
187, 17, 17, 97, 97, 102, 17, 17, 17, 27, 177, 27, 187, 179, 51, 51, 131, 136, 136,  
136,  
136, 136, 136, 128, 8, 128, 136, 136, 136, 136, 56, 56, 131, 131, 136, 56, 51, 51,  
131, 51,  
56, 51, 51, 51, 187, 187, 187, 17, 17, 27, 179, 51, 131, 136, 131, 136, 136, 136, 141,  
141,  
136, 211, 51, 59, 187, 187, 190, 238, 102, 255, 255, 255, 255, 242, 34, 34, 34, 34,  
34, 34,  
34, 47, 34, 34, 98, 34, 98, 102, 38, 47, 255, 255, 111, 242, 255, 47, 47, 34, 47, 255,  
255, 34, 255, 47, 47, 255, 242, 47, 255, 47, 47, 242, 242, 242, 242, 255, 34, 242, 34,  
47,  
34, 47, 34, 47, 34, 242, 34, 242, 242, 47, 34, 242, 242, 47, 47, 47, 47, 34, 47, 34,  
34, 242, 47, 34, 34, 242, 242, 47, 34, 255, 47, 34, 242, 34, 255, 242, 34, 242, 47, 47,  
47, 47, 34, 47, 34, 242, 34, 47, 34, 242, 47, 34, 242, 255, 47, 111, 38, 47, 242, 242,  
47, 34, 47, 34, 242, 255, 255, 255, 47, 255, 242, 255, 246, 246, 38, 102, 102, 102,  
230, 110,

230, 110, 102, 102, 102, 111, 102, 102, 238, 17, 27, 187, 59, 51, 61, 61, 56, 131,  
131, 211,  
131, 51, 51, 51, 187, 187, 30, 225, 17, 187, 179, 51, 51, 51, 51, 136, 216, 136, 136,  
136,  
136, 136, 136, 136, 136, 136, 51, 131, 51, 51, 179, 187, 179, 59, 51, 51, 136, 136,  
136, 136,  
136, 128, 136, 136, 8, 136, 136, 51, 136, 136, 136, 0, 128, 8, 8, 0, 128, 0, 0, 0,  
0,  
136, 136, 8, 128, 0, 128, 0, 0, 128, 0, 0, 128, 128, 128, 136, 136, 136, 131, 51, 51,  
187, 177, 17, 22, 22, 22, 22, 17, 17, 17, 27, 177, 27, 187, 179, 51, 51, 136, 136, 136,  
136, 128, 128, 8, 128, 8, 8, 8, 136, 136, 131, 131, 56, 51, 51, 51, 56, 56, 51, 56,  
51, 131, 56, 51, 51, 59, 187, 17, 22, 17, 187, 51, 51, 51, 136, 136, 136, 136, 211,  
211,  
51, 51, 51, 51, 59, 187, 27, 30, 230, 111, 255, 242, 242, 47, 255, 255, 47, 34, 34, 34,  
47, 34, 242, 246, 38, 246, 102, 98, 102, 111, 38, 242, 242, 255, 34, 242, 242, 255,  
242, 34,  
34, 242, 34, 242, 242, 47, 47, 242, 34, 242, 242, 47, 47, 47, 34, 34, 255, 47, 242,  
242,  
47, 34, 242, 242, 34, 47, 47, 34, 47, 34, 47, 34, 34, 34, 34, 34, 255, 255, 242, 47,  
255, 47, 34, 47, 34, 34, 47, 34, 242, 34, 242, 242, 47, 242, 34, 47, 47, 34, 242, 34,  
34, 34, 47, 34, 242, 47, 47, 34, 255, 47, 242, 255, 47, 255, 255, 47, 242, 242, 47,  
242,  
242, 242, 34, 255, 47, 47, 47, 47, 242, 242, 255, 47, 255, 102, 102, 38, 102, 102,  
110, 230,  
102, 230, 102, 102, 102, 102, 246, 110, 225, 17, 187, 187, 51, 51, 51, 51, 131, 56,  
56, 56,  
51, 51, 51, 187, 187, 190, 17, 17, 187, 187, 59, 51, 61, 61, 141, 56, 136, 136, 136,  
136,  
8, 8, 136, 136, 136, 51, 131, 51, 51, 187, 187, 179, 187, 179, 51, 56, 56, 56, 136,  
136,  
128, 136, 128, 136, 136, 136, 51, 136, 136, 136, 0, 128, 8, 0, 128, 0, 0, 0, 128, 0,  
0,  
51, 136, 136, 136, 128, 8, 128, 128, 8, 0, 128, 8, 8, 8, 8, 8, 136, 136, 131, 51,

59, 187, 17, 17, 22, 102, 97, 97, 17, 17, 17, 17, 177, 27, 187, 179, 51, 51, 56, 136,  
136, 136, 136, 136, 8, 136, 136, 136, 136, 136, 136, 56, 131, 56, 56, 56, 51, 51, 51,  
51,  
51, 51, 51, 51, 59, 179, 187, 177, 17, 97, 27, 179, 51, 56, 56, 56, 56, 131, 136, 216,  
216, 211, 51, 59, 187, 59, 190, 30, 238, 111, 242, 255, 255, 242, 242, 34, 34, 47, 34,  
34,  
34, 242, 47, 34, 242, 98, 34, 38, 98, 246, 98, 255, 255, 47, 47, 47, 47, 34, 47, 47,  
255, 47, 255, 47, 47, 242, 242, 47, 242, 47, 34, 242, 34, 242, 47, 47, 34, 242, 34, 34,  
242, 34, 34, 34, 242, 34, 34, 34, 242, 47, 34, 47, 47, 47, 47, 47, 47, 47, 47, 34,  
34, 34, 47, 34, 47, 47, 34, 242, 34, 242, 34, 47, 34, 47, 34, 242, 34, 242, 47, 47,  
47, 47, 34, 47, 34, 242, 34, 242, 34, 34, 47, 34, 242, 255, 47, 242, 47, 255, 242, 47,  
47, 47, 255, 34, 255, 242, 255, 242, 255, 255, 47, 255, 246, 246, 102, 102, 98, 102,  
102, 110,  
102, 102, 102, 102, 111, 246, 102, 110, 30, 17, 187, 179, 179, 51, 51, 211, 56, 131,  
131, 51,  
51, 51, 59, 59, 187, 225, 225, 27, 27, 179, 179, 51, 51, 211, 56, 141, 136, 136, 141,  
136,  
136, 136, 136, 131, 131, 131, 51, 59, 187, 59, 179, 187, 51, 51, 51, 131, 136, 136,  
136, 136,  
136, 136, 8, 136, 56, 51, 136, 56, 136, 128, 136, 8, 0, 128, 0, 128, 0, 128, 0, 0,  
0, 0, 0, 0, 0, 0, 0, 0, 0, 0, 0, 0, 0, 0, 0, 0, 0, 0, 0,  
51, 51, 136, 136, 136, 128, 8, 0, 0, 128, 8, 0, 8, 128, 128, 136, 136, 136, 56, 51,  
51, 187, 187, 17, 17, 17, 102, 102, 97, 17, 17, 177, 17, 177, 27, 187, 179, 51, 51,  
136,  
136, 136, 136, 136, 136, 8, 136, 128, 128, 136, 136, 131, 56, 131, 51, 51, 56, 51, 51,  
51,  
51, 51, 51, 51, 179, 59, 59, 187, 17, 17, 17, 27, 179, 51, 51, 136, 131, 136, 131, 211,  
51, 61, 51, 51, 59, 187, 187, 190, 238, 102, 38, 47, 242, 255, 255, 255, 242, 34, 242,  
47,  
47, 47, 242, 255, 47, 47, 102, 98, 246, 242, 38, 242, 242, 242, 242, 242, 242, 242,  
242, 242,  
34, 242, 34, 242, 242, 47, 47, 242, 47, 242, 255, 47, 47, 34, 34, 34, 47, 34, 242, 242,

34, 242, 242, 242, 34, 242, 242, 242, 34, 34, 34, 34, 34, 34, 34, 242, 242, 242,  
242,  
242, 242, 34, 34, 34, 34, 47, 34, 242, 47, 47, 34, 242, 242, 242, 34, 242, 47, 34, 34,  
34, 34, 47, 34, 47, 34, 242, 34, 255, 255, 242, 47, 47, 242, 255, 47, 242, 34, 47, 242,  
242, 34, 34, 255, 34, 255, 242, 255, 47, 47, 242, 255, 111, 102, 38, 102, 110, 102,  
102, 102,  
102, 102, 102, 246, 102, 102, 102, 238, 225, 187, 187, 59, 51, 51, 61, 51, 131, 51,  
51, 51,  
51, 59, 187, 187, 238, 238, 17, 27, 187, 59, 51, 51, 211, 61, 216, 61, 131, 216, 136,  
136,  
136, 136, 136, 56, 51, 51, 51, 179, 187, 187, 187, 179, 59, 51, 56, 56, 136, 136, 136,  
136,  
136, 136, 136, 56, 131, 131, 136, 136, 136, 8, 0, 0, 128, 0, 128, 0, 128, 0, 0, 0,  
0,  
187, 51, 51, 56, 136, 136, 128, 136, 128, 8, 0, 8, 0, 8, 8, 128, 136, 136, 136, 136,  
51, 51, 187, 177, 17, 22, 22, 97, 102, 22, 17, 17, 17, 17, 17, 27, 187, 187, 51, 51,  
56, 136, 136, 136, 136, 136, 8, 136, 136, 136, 136, 136, 131, 51, 131, 51, 51, 51,  
131, 51,  
51, 51, 51, 51, 51, 187, 187, 187, 17, 22, 97, 17, 179, 179, 51, 51, 56, 56, 56, 61,  
141, 51, 51, 51, 59, 187, 187, 235, 238, 230, 98, 98, 255, 47, 47, 34, 47, 242, 34,  
242,  
242, 34, 242, 47, 242, 111, 34, 246, 242, 98, 98, 255, 47, 255, 34, 34, 242, 47, 47,  
47,  
47, 47, 47, 47, 47, 242, 242, 47, 34, 34, 34, 34, 242, 47, 47, 47, 34, 255, 34, 34,  
34, 34, 34, 34, 34, 34, 34, 34, 34, 47, 47, 47, 34, 242, 242, 47, 34, 242, 34, 34,  
34, 34, 242, 34, 34, 47, 34, 47, 47, 34, 34, 47, 34, 34, 47, 47, 34, 34, 47, 47,  
34, 242, 242, 47, 34, 34, 34, 242, 34, 34, 47, 242, 242, 255, 47, 242, 47, 255, 34, 34,  
242, 242, 242, 47, 255, 47, 47, 255, 242, 255, 47, 255, 246, 38, 102, 98, 102, 102,  
102, 102,  
102, 98, 102, 111, 246, 111, 110, 225, 17, 27, 187, 179, 51, 51, 51, 51, 51, 51, 51,  
51,  
59, 187, 187, 17, 190, 30, 17, 187, 179, 179, 51, 61, 61, 211, 56, 136, 141, 136, 141,  
141,

131, 131, 56, 51, 51, 51, 187, 187, 187, 187, 179, 59, 51, 56, 56, 136, 136, 136, 136,  
136,  
136, 136, 136, 131, 51, 136, 56, 136, 128, 128, 136, 128, 0, 128, 0, 128, 0, 8, 0, 0,  
0,  
59, 179, 51, 51, 136, 136, 136, 128, 8, 0, 8, 128, 136, 0, 128, 8, 128, 136, 136, 131,  
131, 51, 59, 187, 17, 17, 17, 102, 102, 97, 97, 17, 17, 17, 17, 17, 17, 187, 179, 51,  
51, 56, 136, 136, 136, 136, 136, 136, 136, 136, 136, 131, 131, 131, 51, 131, 51, 51,  
51, 51,  
51, 51, 51, 59, 59, 51, 179, 187, 177, 17, 22, 97, 27, 179, 179, 56, 51, 136, 131, 216,  
51, 211, 51, 51, 51, 187, 187, 190, 30, 238, 111, 47, 255, 255, 242, 255, 242, 47,  
242, 47,  
47, 255, 47, 242, 255, 47, 246, 47, 246, 38, 47, 242, 111, 242, 255, 242, 255, 34,  
242, 34,  
242, 34, 242, 34, 34, 47, 34, 242, 255, 34, 242, 242, 34, 242, 34, 34, 242, 34, 34, 34,  
242, 242, 47, 34, 242, 34, 47, 34, 242, 34, 34, 34, 34, 34, 34, 255, 255, 255, 47,  
47, 34, 34, 34, 47, 34, 242, 34, 34, 242, 242, 242, 47, 47, 34, 34, 47, 47, 34, 34,  
47, 34, 34, 242, 34, 242, 242, 47, 242, 242, 242, 47, 47, 34, 242, 47, 34, 34, 242,  
242,  
34, 242, 255, 242, 47, 242, 255, 47, 47, 242, 255, 255, 255, 102, 98, 102, 102, 102,  
102, 102,  
38, 110, 98, 102, 111, 102, 230, 238, 27, 187, 179, 59, 51, 51, 51, 51, 51, 51, 51, 59,  
59, 187, 177, 30, 238, 235, 187, 187, 179, 51, 51, 51, 51, 61, 216, 211, 131, 136,  
211, 131,  
136, 56, 51, 51, 51, 187, 179, 187, 187, 187, 59, 51, 51, 51, 131, 131, 136, 136, 136,  
136,  
136, 131, 51, 51, 136, 136, 136, 128, 8, 8, 0, 0, 128, 8, 8, 0, 0, 0, 0, 0,  
0, 0, 0, 0, 0, 0, 0, 0, 0, 0, 0, 0, 0, 0, 0, 0, 0, 0, 0,  
187, 187, 187, 51, 51, 56, 136, 136, 136, 128, 128, 0, 0, 8, 8, 128, 136, 136, 136,  
136,  
131, 51, 51, 187, 187, 17, 17, 22, 22, 102, 97, 97, 17, 17, 17, 17, 17, 27, 187, 179,  
51, 51, 56, 56, 136, 136, 136, 136, 136, 136, 136, 136, 56, 51, 51, 51, 51, 51,  
51,  
51, 51, 59, 51, 51, 187, 187, 187, 187, 17, 30, 30, 17, 187, 59, 51, 51, 51, 56, 51,



211, 61, 51, 51, 187, 59, 187, 187, 235, 238, 102, 98, 242, 255, 38, 242, 255, 34, 47,  
34,  
242, 34, 242, 255, 47, 242, 242, 98, 242, 98, 255, 255, 34, 255, 34, 34, 34, 255, 47,  
47,  
34, 242, 47, 47, 242, 242, 255, 47, 34, 242, 47, 34, 242, 34, 242, 47, 34, 242, 242,  
242,  
34, 34, 34, 34, 34, 242, 34, 34, 34, 34, 34, 242, 47, 34, 242, 242, 34, 34, 34, 34,  
34, 47, 34, 34, 34, 34, 34, 47, 34, 34, 34, 34, 242, 242, 34, 34, 242, 34, 34, 47,  
34, 34, 242, 34, 242, 34, 47, 34, 47, 47, 34, 242, 242, 255, 47, 242, 255, 47, 47, 47,  
47, 34, 34, 47, 242, 47, 242, 242, 255, 47, 255, 255, 102, 98, 102, 102, 102, 102,  
102, 102,  
230, 98, 102, 111, 102, 110, 238, 225, 17, 187, 187, 51, 59, 219, 51, 211, 51, 51, 51,  
187,  
187, 187, 238, 225, 238, 30, 177, 179, 59, 51, 51, 211, 221, 211, 131, 136, 216, 131,  
136, 61,  
51, 211, 51, 51, 59, 59, 187, 187, 187, 179, 179, 51, 51, 136, 136, 136, 136, 136, 56,  
136,  
131, 56, 51, 51, 56, 136, 136, 8, 128, 128, 8, 136, 8, 0, 0, 0, 128, 0, 0, 0,  
0,  
51, 187, 59, 187, 51, 51, 56, 136, 136, 136, 136, 136, 136, 128, 128, 8, 8, 128, 136,  
136,  
136, 131, 51, 51, 187, 177, 17, 17, 102, 22, 102, 102, 97, 17, 17, 17, 17, 17, 17, 187,  
179, 51, 51, 131, 136, 136, 136, 136, 136, 136, 136, 136, 131, 131, 131, 51, 51, 51,  
51, 51,  
179, 187, 51, 179, 187, 51, 179, 187, 177, 17, 17, 102, 17, 17, 187, 51, 51, 56, 51,  
131,  
61, 51, 211, 211, 51, 187, 187, 235, 190, 238, 226, 111, 255, 47, 242, 255, 47, 255,  
255, 47,  
47, 255, 47, 34, 255, 47, 255, 255, 38, 38, 242, 255, 255, 34, 242, 242, 242, 34, 34,  
242,  
47, 34, 34, 34, 47, 34, 34, 34, 242, 47, 34, 34, 47, 34, 34, 47, 34, 34, 34,  
47, 34, 242, 34, 34, 34, 242, 34, 34, 242, 34, 34, 34, 34, 34, 255, 242, 47, 47,  
34, 34, 34, 34, 242, 47, 34, 34, 242, 47, 34, 242, 34, 34, 242, 242, 34, 34, 47, 34,

34, 34, 34, 242, 34, 242, 34, 47, 34, 34, 242, 34, 242, 47, 242, 47, 34, 242, 34, 34,  
34, 242, 242, 242, 47, 242, 255, 255, 34, 242, 255, 255, 242, 102, 98, 98, 102, 102,  
46, 98,  
98, 102, 38, 38, 102, 110, 238, 27, 187, 187, 51, 179, 51, 51, 51, 179, 51, 51, 187,  
59,  
187, 30, 190, 238, 235, 27, 187, 187, 179, 51, 51, 61, 51, 61, 61, 131, 136, 61, 211,  
131,  
131, 51, 51, 59, 187, 187, 187, 187, 187, 187, 51, 51, 51, 51, 136, 136, 136, 136,  
136, 51,  
56, 51, 51, 136, 136, 136, 128, 128, 8, 8, 128, 0, 0, 128, 0, 0, 0, 0, 0, 0,  
0,  
187, 59, 187, 187, 187, 179, 51, 51, 136, 136, 136, 8, 0, 8, 8, 0, 128, 136, 136, 136,  
136, 131, 131, 51, 187, 187, 177, 17, 17, 102, 102, 97, 102, 97, 97, 22, 17, 17, 17,  
27,  
187, 179, 51, 51, 51, 131, 136, 136, 136, 136, 136, 136, 136, 136, 136, 56, 51, 51, 51, 51,  
51,  
51, 51, 187, 59, 51, 187, 59, 187, 187, 177, 17, 22, 102, 17, 187, 187, 51, 51, 51, 56,  
51, 211, 51, 51, 179, 59, 187, 190, 190, 190, 238, 102, 38, 242, 255, 242, 242, 47,  
34, 255,  
34, 34, 242, 255, 47, 255, 34, 255, 255, 255, 38, 47, 34, 255, 47, 47, 47, 47, 47, 34,  
34, 47, 47, 47, 34, 47, 242, 242, 34, 242, 34, 242, 34, 242, 47, 34, 34, 47, 47, 47,  
34, 34, 34, 47, 34, 34, 34, 47, 34, 34, 242, 34, 34, 242, 34, 47, 34, 47, 34, 34,  
34, 34, 34, 34, 34, 34, 34, 34, 47, 34, 34, 34, 242, 242, 34, 34, 34, 242, 34, 34,  
34, 242, 34, 34, 34, 34, 47, 34, 47, 47, 47, 242, 47, 242, 47, 47, 47, 34, 242, 242,  
34, 47, 47, 47, 34, 47, 34, 34, 255, 47, 255, 255, 102, 98, 102, 102, 102, 102, 226,  
110,  
102, 38, 102, 102, 46, 238, 238, 17, 27, 187, 187, 219, 51, 51, 51, 51, 51, 187, 59,  
187,  
187, 225, 238, 238, 17, 187, 187, 51, 51, 51, 61, 51, 211, 221, 141, 61, 51, 211, 61,  
51,  
51, 51, 59, 187, 187, 187, 187, 187, 187, 51, 51, 51, 56, 136, 56, 56, 131, 131, 51,  
56,  
51, 51, 131, 131, 136, 136, 136, 8, 128, 128, 8, 8, 0, 0, 0, 0, 0, 0, 0, 0,

0, 141,  
51, 51, 179, 187, 187, 187, 179, 51, 51, 136, 136, 136, 136, 128, 128, 136, 8, 8, 136,  
136,  
136, 136, 51, 131, 51, 187, 177, 17, 22, 17, 102, 102, 102, 22, 22, 17, 22, 22, 17, 17,  
17, 187, 179, 51, 51, 56, 56, 56, 136, 136, 136, 136, 56, 56, 131, 51, 51, 51, 59, 59,  
59, 59, 59, 179, 187, 59, 187, 187, 187, 27, 17, 30, 110, 97, 17, 187, 187, 51, 51, 51,  
51, 51, 51, 51, 59, 179, 187, 187, 235, 238, 238, 98, 98, 255, 242, 255, 255, 242,  
255, 34,  
255, 255, 47, 47, 242, 47, 255, 47, 47, 47, 98, 242, 111, 34, 242, 34, 34, 34, 242, 47,  
34, 242, 34, 242, 47, 34, 47, 34, 242, 34, 242, 47, 34, 34, 34, 47, 34, 34, 34, 34,  
34, 34, 34, 34, 34, 47, 34, 34, 34, 34, 34, 47, 34, 34, 47, 34, 34, 242, 242, 34,  
242, 34, 34, 242, 34, 242, 34, 242, 34, 34, 242, 242, 34, 34, 34, 47, 34, 34, 34, 47,  
34, 34, 242, 34, 242, 47, 34, 34, 242, 242, 34, 47, 34, 47, 47, 34, 242, 47, 47, 34,  
242, 242, 34, 242, 255, 242, 255, 255, 34, 242, 255, 255, 98, 38, 98, 102, 98, 102,  
46, 98,  
102, 98, 98, 102, 230, 238, 225, 187, 187, 187, 51, 179, 179, 59, 59, 59, 187, 59,  
187, 190,  
238, 190, 238, 225, 27, 27, 179, 179, 51, 51, 51, 61, 61, 51, 51, 131, 141, 56, 51, 51,  
51, 59, 187, 187, 177, 27, 187, 187, 179, 59, 51, 51, 131, 56, 136, 131, 136, 56, 56,  
51,  
51, 51, 136, 136, 136, 128, 128, 136, 8, 8, 0, 128, 128, 0, 128, 0, 0, 0, 0, 0,  
0, 0, 0, 0, 0, 0, 0, 0, 0, 0, 0, 0, 0, 0, 0, 0, 0, 0, 136, 136,  
179, 179, 59, 59, 187, 187, 187, 179, 51, 51, 136, 136, 136, 136, 136, 8, 136, 136, 8,  
136,  
136, 136, 131, 51, 51, 51, 187, 177, 17, 22, 22, 102, 102, 102, 102, 102, 97, 97, 102,  
97,  
17, 27, 187, 187, 51, 51, 51, 131, 56, 56, 56, 56, 136, 131, 56, 131, 51, 51, 179, 179,  
51, 179, 179, 187, 179, 187, 59, 59, 187, 177, 17, 17, 230, 102, 225, 27, 187, 59, 51,  
51,  
51, 51, 51, 51, 51, 59, 187, 187, 190, 190, 238, 238, 38, 47, 255, 47, 47, 47, 34, 255,  
34, 34, 255, 242, 47, 242, 34, 255, 255, 242, 38, 255, 34, 98, 47, 47, 47, 47, 34, 34,  
242, 47, 34, 34, 34, 47, 34, 34, 34, 242, 34, 34, 47, 34, 242, 34, 47, 34, 242, 47,  
34, 47, 34, 34, 47, 34, 34, 34, 47, 34, 47, 34, 47, 34, 34, 242, 34, 34, 242,

34, 34, 34, 34, 34, 34, 34, 34, 34, 47, 34, 34, 34, 47, 34, 47, 34, 34, 242, 47, 34,  
34, 34, 34, 34, 34, 34, 34, 34, 242, 34, 34, 242, 242, 47, 242, 34, 242, 34, 242, 34, 34,  
34, 34, 242, 47, 34, 47, 34, 34, 255, 255, 255, 246, 38, 98, 102, 38, 110, 38, 226,  
102,  
38, 46, 38, 102, 110, 238, 225, 17, 187, 179, 187, 59, 59, 51, 51, 179, 59, 187, 190,  
187,  
238, 238, 238, 225, 187, 187, 187, 59, 51, 51, 61, 51, 51, 221, 221, 61, 51, 51, 211,  
51,  
59, 187, 187, 187, 27, 177, 187, 187, 59, 51, 51, 56, 56, 136, 51, 131, 51, 131, 51,  
51,  
51, 56, 136, 136, 136, 8, 8, 8, 128, 128, 128, 0, 0, 0, 0, 0, 0, 0, 0, 0,  
0, 0, 0, 0, 0, 0, 0, 0, 0, 0, 0, 0, 0, 0, 0, 0, 8, 216, 136, 136,  
59, 187, 187, 179, 187, 187, 187, 187, 187, 51, 51, 56, 136, 136, 136, 128, 128, 128,  
136, 8,  
8, 136, 136, 131, 51, 51, 187, 187, 17, 17, 97, 102, 22, 102, 102, 22, 22, 22, 17, 22,  
97, 17, 27, 187, 59, 51, 51, 56, 56, 56, 136, 131, 131, 136, 131, 56, 51, 51, 51, 59,  
59, 59, 187, 59, 59, 187, 187, 187, 187, 27, 177, 30, 30, 102, 110, 17, 27, 187, 51,  
51,  
51, 51, 51, 51, 179, 187, 59, 187, 235, 238, 238, 230, 102, 47, 47, 255, 242, 255,  
242, 242,  
255, 255, 34, 255, 242, 255, 255, 47, 34, 255, 242, 242, 242, 47, 242, 34, 34, 34, 47,  
34,  
34, 34, 47, 47, 47, 34, 242, 242, 242, 34, 47, 47, 34, 34, 34, 34, 34, 34, 34, 34, 34,  
34, 34, 34, 242, 34, 34, 47, 34, 34, 34, 34, 34, 34, 34, 34, 47, 34, 255, 34, 34,  
34, 47, 34, 34, 242, 34, 47, 34, 34, 34, 34, 242, 34, 34, 34, 34, 34, 34, 34, 34,  
34, 47, 34, 34, 47, 34, 34, 34, 34, 242, 34, 47, 34, 34, 242, 34, 242, 34, 34, 47,  
47, 47, 47, 34, 242, 242, 242, 255, 34, 47, 242, 242, 98, 102, 38, 102, 38, 226, 102,  
38,  
98, 98, 102, 102, 238, 238, 187, 187, 187, 187, 59, 51, 51, 187, 59, 59, 187, 187,  
187, 238,  
238, 238, 238, 187, 27, 187, 51, 51, 51, 51, 51, 211, 211, 51, 51, 211, 51, 51, 51, 59,  
187, 187, 187, 190, 177, 187, 187, 179, 179, 51, 51, 131, 131, 51, 136, 56, 56, 51,  
51, 51,

51, 136, 136, 136, 136, 136, 136, 128, 8, 0, 128, 128, 0, 0, 0, 0, 0, 0, 0, 0,  
0, 0, 0, 0, 0, 0, 0, 0, 0, 0, 0, 0, 0, 0, 0, 0, 136, 128, 136, 136, 131,  
187, 179, 51, 187, 59, 187, 187, 187, 187, 179, 51, 51, 56, 136, 136, 136, 136, 136,  
136, 136,  
136, 136, 131, 136, 131, 51, 51, 187, 177, 17, 22, 22, 102, 102, 246, 246, 102, 97,  
102, 97,  
22, 97, 17, 27, 187, 59, 51, 51, 51, 51, 56, 56, 136, 56, 56, 131, 56, 51, 59, 59,  
179, 179, 179, 187, 187, 187, 187, 187, 187, 177, 27, 17, 30, 230, 102, 17, 17, 187,  
187, 51,  
51, 51, 51, 51, 59, 179, 187, 187, 190, 187, 238, 238, 38, 98, 242, 242, 242, 242,  
255, 47,  
34, 34, 255, 34, 255, 34, 47, 242, 255, 47, 47, 255, 47, 242, 34, 242, 47, 47, 34, 242,  
47, 47, 34, 34, 34, 242, 34, 34, 34, 47, 34, 34, 34, 47, 34, 34, 242, 34, 47, 34,  
47, 34, 34, 34, 34, 34, 34, 34, 34, 34, 34, 34, 34, 34, 34, 34, 34, 47, 34,  
34, 34, 34, 34, 34, 34, 34, 34, 34, 47, 34, 34, 34, 34, 34, 34, 34, 34, 34,  
242, 34, 34, 242, 34, 34, 242, 47, 34, 34, 242, 34, 47, 34, 34, 242, 34, 242, 47, 34,  
34, 242, 34, 242, 47, 47, 47, 34, 255, 255, 255, 246, 38, 38, 102, 38, 98, 102, 38, 98,  
246, 246, 246, 102, 238, 225, 235, 27, 187, 179, 179, 187, 59, 59, 187, 187, 187,  
190, 238, 238,  
238, 238, 235, 235, 187, 187, 179, 179, 51, 51, 51, 51, 61, 61, 51, 51, 51, 51, 59,  
187,  
187, 177, 17, 27, 27, 187, 187, 59, 51, 51, 51, 56, 56, 136, 51, 51, 51, 51, 179, 51,  
136, 136, 136, 136, 128, 128, 136, 8, 128, 128, 0, 0, 0, 8, 0, 0, 0, 0, 0, 0,  
0, 0, 0, 0, 0, 0, 0, 0, 0, 0, 0, 0, 0, 0, 0, 0, 136, 8, 136, 56, 51, 51,  
187, 187, 187, 59, 179, 187, 187, 187, 27, 187, 187, 51, 51, 56, 136, 136, 136, 136,  
128, 136,  
136, 136, 136, 131, 56, 51, 51, 187, 187, 17, 17, 97, 102, 111, 111, 111, 102, 102,  
97, 22,  
97, 22, 22, 17, 27, 187, 59, 51, 51, 56, 51, 131, 51, 131, 136, 56, 51, 51, 51, 51,  
187, 187, 187, 179, 187, 187, 187, 187, 187, 27, 177, 17, 238, 225, 102, 102, 17, 27,  
187, 187,  
59, 51, 51, 59, 51, 59, 187, 187, 235, 190, 235, 238, 226, 98, 47, 47, 47, 47, 47, 242,

255, 255, 34, 255, 34, 255, 242, 47, 34, 242, 242, 34, 242, 47, 47, 47, 34, 242, 34,  
34,  
242, 34, 34, 47, 34, 34, 242, 242, 47, 34, 34, 242, 34, 34, 34, 34, 34, 34, 34, 34,  
34, 34, 34, 34, 34, 34, 34, 34, 34, 34, 34, 34, 34, 34, 34, 242, 34, 34, 34,  
34, 34, 34, 34, 34, 34, 34, 34, 34, 34, 34, 34, 47, 34, 47, 34, 34, 34, 34, 34,  
34, 34, 34, 34, 242, 34, 34, 34, 47, 34, 47, 47, 34, 242, 242, 34, 34, 34, 34, 34,  
242, 34, 242, 47, 34, 242, 34, 255, 47, 47, 47, 242, 111, 98, 98, 226, 102, 38, 98, 38,  
47, 38, 102, 238, 238, 235, 177, 183, 187, 187, 187, 55, 59, 187, 59, 123, 190, 235,  
235, 238,  
238, 238, 238, 187, 187, 179, 51, 51, 51, 51, 211, 61, 51, 51, 211, 51, 51, 59, 187,  
187,  
177, 17, 27, 190, 187, 187, 179, 51, 51, 51, 56, 51, 131, 51, 131, 51, 51, 179, 51,  
136,  
136, 136, 136, 136, 136, 8, 8, 8, 8, 8, 8, 0, 0, 0, 0, 0, 0, 0, 0, 0,  
0, 0, 0, 0, 0, 0, 0, 0, 0, 0, 0, 128, 136, 136, 136, 131, 131, 56, 131,  
177, 177, 187, 187, 187, 187, 187, 187, 177, 187, 187, 187, 51, 51, 51, 136, 136,  
136, 136, 136,  
136, 136, 136, 136, 131, 51, 51, 59, 187, 177, 17, 102, 102, 102, 246, 246, 255, 102,  
102, 102,  
22, 102, 97, 97, 17, 27, 187, 179, 51, 51, 51, 51, 56, 56, 51, 131, 136, 51, 51, 179,  
59, 59, 59, 187, 187, 187, 187, 187, 177, 187, 17, 177, 17, 230, 102, 102, 97, 17,  
187, 187,  
179, 187, 179, 179, 59, 187, 59, 187, 190, 235, 238, 238, 238, 102, 242, 255, 242,  
255, 47, 47,  
47, 34, 255, 34, 255, 34, 47, 242, 255, 34, 255, 242, 34, 242, 242, 34, 34, 34, 242,  
47,  
34, 242, 47, 34, 242, 34, 34, 34, 34, 34, 34, 47, 34, 47, 34, 34, 47, 34, 47,  
34, 34, 34, 34, 34, 34, 34, 34, 34, 34, 34, 34, 34, 34, 34, 34, 242, 34, 34,  
34,  
34, 47, 34, 34, 34, 34, 34, 34, 34, 34, 34, 34, 242, 34, 47, 34, 242, 242, 34, 242,  
47, 47, 34, 34, 242, 34, 242, 34, 242, 255, 255, 246, 38, 102, 38, 38, 98, 102, 38,  
102,

102, 98, 102, 110, 238, 17, 27, 187, 187, 59, 59, 179, 187, 187, 187, 187, 235, 190,  
238, 233,  
238, 235, 187, 187, 187, 59, 59, 51, 51, 51, 51, 51, 51, 51, 51, 51, 51, 51, 179, 187, 187,  
177,  
177, 27, 17, 27, 187, 187, 187, 51, 51, 51, 51, 131, 51, 51, 51, 51, 179, 51, 136, 56,  
136, 136, 136, 136, 8, 136, 128, 128, 128, 0, 0, 0, 0, 0, 0, 0, 0, 0, 0, 0,  
0, 0, 0, 0, 0, 0, 0, 0, 0, 0, 8, 8, 136, 136, 51, 51, 56, 51, 51,  
187, 177, 187, 187, 187, 59, 187, 187, 187, 17, 27, 187, 187, 51, 51, 51, 136, 136,  
136, 136,  
136, 136, 136, 136, 56, 131, 51, 51, 187, 187, 17, 17, 230, 230, 111, 255, 175, 246,  
102, 102,  
102, 22, 22, 22, 17, 17, 27, 187, 187, 51, 51, 51, 51, 51, 56, 51, 51, 51, 51, 59,  
179, 187, 187, 59, 187, 187, 177, 177, 187, 17, 177, 17, 30, 30, 22, 102, 230, 225,  
17, 187,  
187, 179, 59, 59, 59, 59, 187, 187, 187, 190, 235, 238, 233, 226, 38, 34, 255, 47, 47,  
242,  
242, 255, 34, 242, 34, 255, 242, 47, 34, 255, 34, 47, 255, 34, 47, 34, 242, 242, 34,  
34,  
34, 34, 242, 34, 34, 242, 47, 34, 242, 47, 34, 242, 34, 34, 34, 34, 242, 34, 34, 34,  
34, 34, 34, 34, 34, 34, 34, 34, 34, 34, 34, 34, 34, 36, 34, 34, 34, 34, 34, 47, 34,  
34,  
34, 34, 34, 34, 34, 47, 34, 34, 242, 34, 242, 242, 34, 242, 34, 34, 34, 34, 242, 34,  
34, 34, 47, 47, 47, 47, 47, 242, 255, 47, 47, 47, 98, 38, 102, 98, 102, 34, 98, 34,  
34, 110, 110, 238, 238, 27, 187, 187, 187, 187, 187, 115, 187, 187, 190, 190, 190,  
238, 238, 238,  
238, 238, 235, 187, 187, 179, 179, 51, 51, 51, 51, 51, 51, 51, 51, 59, 59, 59, 187, 177,  
177,  
225, 17, 27, 187, 187, 179, 51, 179, 51, 51, 51, 51, 51, 51, 59, 59, 51, 51, 56, 136,  
136, 136, 136, 136, 136, 0, 8, 0, 0, 8, 0, 0, 0, 0, 0, 0, 0, 0,  
0, 0, 0, 0, 0, 0, 0, 0, 0, 136, 128, 136, 136, 51, 56, 56, 51, 56, 51,  
187, 187, 17, 177, 187, 187, 187, 187, 187, 177, 177, 187, 187, 179, 51, 51, 56,  
136, 136,

136, 136, 136, 131, 131, 56, 51, 51, 187, 177, 17, 30, 166, 102, 106, 255, 255, 255,  
246, 175,  
110, 102, 102, 97, 102, 17, 17, 27, 187, 187, 179, 51, 51, 51, 51, 51, 56, 51, 51, 51,  
59, 187, 187, 187, 187, 177, 187, 27, 17, 187, 27, 17, 17, 238, 238, 102, 102, 110,  
17, 27,  
187, 187, 187, 51, 179, 179, 187, 187, 235, 235, 238, 238, 238, 238, 98, 98, 47, 47,  
242, 47,  
47, 34, 47, 47, 242, 34, 47, 34, 255, 34, 242, 242, 34, 255, 34, 242, 34, 34, 47, 47,  
47, 34, 34, 47, 34, 34, 34, 34, 34, 34, 34, 34, 34, 34, 34, 34, 34, 34, 34, 34, 34,  
34,  
34,  
34, 34, 34, 34, 34, 34, 34, 34, 34, 34, 34, 34, 34, 34, 34, 47, 34, 34, 34, 34, 34,  
242, 34, 242, 34, 34, 34, 242, 47, 47, 255, 47, 242, 102, 98, 34, 246, 34, 102, 38,  
102,  
102, 102, 230, 238, 235, 190, 113, 187, 187, 187, 179, 187, 187, 190, 187, 235, 238,  
238, 233, 238,  
235, 187, 187, 187, 179, 59, 51, 179, 51, 51, 51, 51, 51, 59, 51, 187, 187, 17, 190,  
235,  
235, 235, 190, 187, 187, 187, 59, 51, 51, 51, 51, 51, 51, 59, 179, 179, 51, 136, 136,  
136,  
136, 136, 136, 136, 128, 136, 128, 128, 128, 0, 0, 0, 0, 0, 0, 0, 0, 0, 0, 0, 0,  
0, 0, 0, 0, 0, 0, 0, 0, 128, 136, 8, 136, 131, 51, 51, 51, 51, 51, 51, 51,  
51, 187, 187, 27, 27, 177, 187, 187, 187, 17, 27, 17, 27, 187, 187, 179, 51, 51, 131,  
131,  
136, 136, 136, 136, 136, 51, 51, 51, 59, 187, 186, 17, 238, 234, 111, 102, 255, 98,  
111, 246,  
102, 102, 230, 22, 102, 102, 17, 17, 17, 187, 187, 179, 179, 51, 51, 51, 51, 51, 51,  
51,  
179, 179, 187, 187, 187, 187, 17, 177, 187, 17, 177, 17, 17, 238, 238, 230, 102, 102,  
97, 17,  
27, 187, 187, 187, 187, 187, 179, 187, 183, 190, 190, 238, 238, 46, 38, 47, 242, 242,  
47, 242,  
242, 47, 242, 34, 47, 47, 34, 242, 34, 242, 47, 47, 242, 34, 242, 47, 47, 34, 34, 34,



34, 34, 34, 34, 34, 34, 242, 34, 34, 242, 34, 242, 34, 242, 34, 34, 34, 34, 34, 34,  
34, 34, 34, 34, 34, 34, 66, 34, 34, 34, 34, 34, 34, 34, 34, 34, 34, 34, 34, 34,  
34, 34, 34, 34, 66, 34, 34, 34, 34, 34, 34, 34, 34, 34, 34, 34, 34, 34, 34, 34,  
34, 34, 34, 34, 34, 34, 34, 34, 34, 34, 47, 34, 242, 47, 34, 47, 34, 242, 34, 34,  
34, 47, 34, 242, 242, 242, 47, 47, 34, 47, 242, 246, 34, 38, 102, 98, 102, 34, 98, 34,  
246, 102, 238, 238, 238, 235, 187, 187, 187, 187, 183, 187, 187, 187, 238, 190, 238,  
233, 238, 238,  
190, 187, 187, 187, 59, 179, 51, 51, 51, 51, 51, 51, 59, 59, 187, 187, 190, 190, 235,  
30,  
30, 177, 187, 187, 187, 51, 179, 51, 51, 51, 51, 51, 179, 179, 59, 51, 56, 56, 136,  
131,  
136, 136, 136, 128, 136, 0, 0, 8, 0, 0, 0, 8, 0, 0, 0, 0, 0, 0, 0,  
0, 0, 0, 0, 0, 0, 128, 128, 136, 136, 131, 51, 51, 51, 51, 51, 51, 51, 51,  
51, 59, 59, 187, 17, 27, 27, 187, 187, 187, 177, 187, 17, 17, 187, 187, 179, 51, 51,  
136,  
56, 56, 56, 56, 56, 131, 56, 51, 187, 183, 27, 26, 238, 242, 66, 66, 98, 162, 111, 255,  
102, 102, 110, 102, 22, 22, 97, 17, 17, 27, 187, 187, 179, 179, 51, 51, 51, 51, 51, 51,  
59, 187, 187, 187, 177, 187, 187, 17, 17, 177, 17, 27, 30, 17, 238, 225, 102, 111,  
102, 17,  
17, 187, 187, 187, 187, 59, 187, 183, 187, 190, 235, 238, 238, 226, 226, 226, 47, 47,  
34, 47,  
47, 242, 34, 242, 242, 242, 47, 47, 34, 47, 242, 34, 47, 47, 34, 34, 34, 47, 34, 34,  
242, 34, 34, 34, 47, 34, 34, 34, 34, 34, 34, 34, 34, 34, 34, 34, 34, 34, 34, 34,  
34, 34, 34, 34, 34, 34, 34, 34, 34, 41, 34, 146, 34, 34, 34, 34, 34, 34, 34, 34,  
34, 34, 34, 34, 34, 34, 34, 41, 34, 34, 34, 34, 34, 34, 34, 34, 34, 34, 34, 34,  
34, 34, 34, 34, 34, 34, 34, 34, 34, 34, 34, 34, 34, 34, 34, 34, 34, 34, 242,  
34, 34, 34, 34, 34, 47, 34, 242, 255, 242, 47, 34, 102, 98, 242, 38, 34, 111, 34, 102,  
98, 230, 238, 238, 187, 190, 187, 187, 235, 187, 187, 187, 238, 238, 190, 238, 238,  
238, 238, 238,  
235, 235, 187, 187, 179, 51, 187, 51, 59, 59, 51, 59, 59, 187, 187, 187, 235, 235,  
238, 235,  
235, 27, 27, 187, 179, 179, 51, 59, 51, 179, 179, 187, 187, 187, 179, 56, 136, 131,  
136, 136,

136, 136, 136, 136, 0, 128, 128, 0, 0, 0, 0, 0, 0, 0, 0, 0, 0, 0, 0, 0, 0, 0,  
0, 0, 0, 0, 0, 8, 8, 8, 136, 136, 131, 51, 51, 51, 51, 51, 51, 51, 51, 51, 51,  
51, 51, 59, 187, 187, 17, 17, 27, 27, 27, 27, 17, 177, 27, 17, 187, 187, 179, 51, 51,  
56, 56, 136, 131, 131, 56, 51, 51, 51, 187, 177, 17, 234, 68, 68, 68, 146, 98, 42, 255,  
246, 102, 102, 102, 97, 241, 102, 102, 97, 17, 17, 187, 187, 187, 179, 179, 51, 51,  
51, 51,  
51, 59, 187, 187, 187, 17, 17, 177, 17, 17, 17, 17, 17, 238, 238, 102, 230, 102, 102,  
110,  
17, 17, 187, 187, 187, 187, 187, 187, 190, 187, 238, 238, 238, 238, 226, 98, 98, 34,  
255, 34,  
34, 34, 242, 47, 34, 47, 34, 34, 242, 242, 47, 255, 34, 242, 47, 47, 34, 34, 47, 34,  
34, 34, 242, 34, 34, 34, 34, 34, 34, 34, 34, 34, 34, 34, 34, 34, 34, 34, 34, 34,  
34, 34, 34, 34, 34, 34, 34, 34, 34, 34, 34, 41, 34, 34, 34, 34, 34, 34,  
34, 34, 41, 34, 34, 34, 146, 34, 34, 146, 34, 34, 34, 34, 34, 34, 146, 41, 34, 41,  
34, 34, 34, 34, 34, 34, 34, 34, 34, 34, 47, 34, 34, 242, 34, 47, 34, 34, 34,  
34, 34, 47, 34, 34, 242, 47, 47, 34, 255, 255, 246, 34, 38, 102, 242, 98, 34, 102, 47,  
110, 110, 238, 238, 231, 235, 190, 187, 187, 123, 235, 235, 187, 190, 238, 238, 233,  
238, 46, 235,  
190, 62, 187, 179, 187, 179, 51, 59, 51, 51, 59, 179, 187, 187, 187, 238, 190, 238,  
27, 238,  
177, 187, 187, 187, 59, 59, 187, 51, 59, 51, 187, 187, 187, 51, 56, 56, 51, 136, 56,  
56,  
136, 136, 128, 128, 136, 0, 8, 0, 0, 8, 0, 0, 0, 0, 0, 0, 0, 0, 0, 0,  
0, 0, 0, 0, 128, 128, 136, 136, 136, 51, 51, 51, 51, 51, 51, 51, 51, 59, 51, 51,  
51, 51, 51, 59, 187, 177, 17, 17, 17, 177, 187, 187, 27, 17, 17, 17, 187, 187, 187, 51,  
51, 51, 51, 56, 56, 131, 131, 51, 183, 187, 186, 186, 100, 68, 68, 73, 68, 46, 98, 38,  
98, 102, 102, 110, 102, 102, 102, 97, 97, 17, 17, 17, 187, 187, 187, 187, 59, 59, 51,  
179,  
179, 179, 187, 187, 27, 187, 187, 27, 17, 17, 17, 17, 30, 17, 30, 225, 102, 102, 102,  
102,  
238, 17, 235, 27, 187, 187, 187, 190, 187, 235, 126, 235, 238, 158, 238, 38, 34, 242,  
34, 255,  
47, 47, 47, 34, 47, 34, 34, 242, 34, 34, 34, 34, 255, 34, 242, 242, 47, 34, 34, 34,

34,  
34, 34, 34, 34, 34, 34, 34, 34, 34, 146, 34, 34, 34, 34, 34, 146, 41, 34, 34, 34, 34,  
146, 41, 34, 41, 34, 146, 34, 34, 34, 34, 34, 41, 34, 146, 41, 34, 34, 34, 34, 34,  
34, 34, 41, 34, 34, 34, 34, 34, 34, 34, 34, 34, 34, 34, 34, 34, 34, 34, 47, 34,  
34, 242, 34, 34, 242, 34, 242, 34, 255, 34, 47, 47, 38, 242, 34, 38, 38, 255, 34, 102,  
38, 230, 238, 235, 190, 190, 187, 190, 187, 187, 187, 190, 238, 238, 238, 233, 238,  
238, 238, 190,  
235, 187, 187, 59, 179, 59, 179, 179, 59, 115, 179, 187, 187, 187, 238, 190, 238,  
190, 238, 187,  
235, 27, 187, 187, 179, 179, 51, 187, 51, 187, 187, 187, 51, 51, 51, 131, 136, 136,  
136, 136,  
136, 136, 136, 8, 0, 128, 128, 8, 0, 0, 0, 0, 0, 0, 0, 0, 0, 0, 0, 0,  
0, 0, 0, 136, 8, 136, 136, 136, 51, 51, 51, 51, 51, 51, 51, 187, 59, 51, 51, 56,  
136, 51, 51, 51, 187, 187, 177, 17, 17, 17, 27, 27, 27, 17, 177, 17, 17, 27, 187, 179,  
51, 51, 56, 51, 131, 51, 51, 51, 51, 183, 187, 26, 68, 68, 68, 68, 73, 66, 102, 98,  
102, 47, 111, 102, 102, 97, 102, 102, 102, 102, 17, 17, 17, 27, 187, 187, 179, 179,  
179, 51,  
51, 59, 187, 187, 177, 177, 17, 177, 17, 17, 17, 17, 225, 238, 238, 238, 110, 102,  
111, 102,  
110, 225, 17, 17, 190, 187, 187, 187, 183, 190, 187, 238, 238, 238, 158, 226, 98, 34,  
242, 34,  
47, 34, 34, 47, 34, 242, 242, 47, 47, 47, 34, 242, 34, 242, 34, 34, 34, 47, 34, 47,  
34, 34, 34, 34, 34, 34, 34, 34, 34, 34, 34, 34, 34, 34, 34, 34, 34, 34, 34, 41,  
34, 41, 34, 66, 34, 34, 146, 34, 34, 146, 41, 41, 34, 34, 34, 34, 34, 34, 34, 34,  
34, 34, 34, 34, 34, 34, 34, 34, 146, 34, 41, 34, 34, 34, 34, 34, 34, 146, 34,  
41, 34, 34, 34, 34, 34, 34, 34, 34, 34, 34, 34, 34, 34, 34, 34, 34, 34, 34, 34,  
34, 34, 34, 34, 34, 34, 34, 242, 34, 242, 255, 47, 98, 38, 38, 242, 34, 242, 102, 102,  
226, 110, 238, 238, 235, 187, 235, 187, 190, 190, 190, 231, 190, 238, 238, 238, 238,  
238, 238, 235,  
187, 235, 187, 179, 59, 179, 59, 91, 179, 59, 187, 187, 190, 190, 190, 235, 238, 238,  
225, 30,  
187, 187, 187, 179, 59, 187, 179, 59, 187, 187, 187, 179, 179, 51, 56, 136, 51, 51,  
131, 136,

136, 128, 128, 128, 128, 0, 0, 0, 0, 0, 0, 0, 0, 0, 0, 0, 0, 0, 0, 0, 0,  
0, 0, 136, 8, 136, 136, 131, 51, 51, 51, 59, 59, 51, 179, 187, 51, 179, 51, 51, 136,  
51, 131, 131, 51, 59, 187, 187, 17, 17, 17, 17, 17, 177, 177, 17, 177, 17, 17, 17, 187,  
187, 51, 51, 51, 51, 51, 51, 51, 187, 187, 186, 186, 68, 68, 68, 68, 68, 158, 38, 38,  
98, 230, 246, 246, 102, 102, 102, 22, 102, 97, 246, 17, 17, 17, 27, 187, 187, 187,  
187, 187,  
187, 179, 59, 187, 177, 27, 177, 17, 17, 17, 225, 225, 30, 30, 238, 238, 230, 102,  
102, 111,  
102, 238, 238, 17, 27, 190, 190, 190, 187, 190, 238, 190, 238, 238, 238, 158, 38, 47,  
47, 47,  
34, 242, 242, 242, 242, 34, 34, 34, 34, 34, 242, 47, 34, 34, 242, 47, 34, 34, 34, 34,  
34,  
34, 34, 34, 34, 34, 146, 34, 146, 34, 34, 34, 34, 34, 146, 41, 34, 34, 41, 34, 146,  
41, 34, 41, 34, 146, 34, 146, 146, 34, 146, 34, 34, 34, 34, 146, 34, 146, 34, 34, 146,  
34, 41, 34, 34, 34, 146, 41, 34, 34, 34, 34, 34, 34, 34, 34, 34, 34, 34, 34, 34,  
34, 34, 34, 242, 34, 242, 242, 47, 242, 255, 47, 242, 47, 98, 98, 47, 98, 102, 38, 38,  
106, 46, 238, 235, 190, 235, 190, 190, 235, 123, 235, 238, 238, 238, 158, 158, 233,  
238, 235, 190,  
187, 187, 179, 187, 187, 59, 179, 179, 187, 187, 187, 126, 235, 238, 238, 238, 238,  
235, 190, 187,  
187, 187, 187, 187, 187, 59, 187, 187, 187, 177, 187, 59, 51, 56, 51, 51, 136, 136,  
136, 136,  
136, 136, 8, 8, 8, 8, 8, 0, 0, 0, 0, 0, 0, 0, 0, 0, 0, 0, 0, 0, 0,  
8, 136, 8, 136, 136, 56, 51, 51, 59, 59, 51, 51, 187, 59, 51, 179, 51, 56, 136, 136,  
131, 51, 51, 51, 51, 59, 187, 187, 17, 17, 17, 17, 17, 17, 177, 17, 17, 17, 17, 17,  
187, 187, 51, 51, 51, 51, 51, 59, 59, 187, 187, 26, 68, 68, 196, 68, 68, 66, 166, 226,  
102, 38, 246, 111, 102, 102, 102, 102, 102, 102, 97, 102, 17, 17, 17, 17, 187, 187,  
187, 179,  
179, 187, 187, 187, 187, 177, 17, 177, 17, 17, 238, 30, 238, 238, 238, 238, 110, 230,  
102, 102,  
246, 102, 225, 238, 17, 235, 187, 187, 126, 187, 190, 238, 238, 233, 238, 226, 98,  
98, 34, 34,  
242, 34, 34, 34, 34, 47, 47, 34, 242, 242, 34, 34, 242, 242, 34, 34, 34, 242, 34, 34,

34, 34, 34, 34, 34, 34, 34, 34, 34, 34, 34, 34, 34, 34, 34, 34, 146, 41, 34, 146, 34,  
41, 34, 34, 34, 34, 34, 34, 34, 34, 34, 146, 34, 146, 34, 34, 34, 34, 41, 34, 34, 34,  
34, 41, 34, 34, 34, 146, 34, 34, 34, 34, 146, 34, 146, 146, 34, 146, 34, 146, 34, 34,  
34, 34, 34, 41, 34, 34, 34, 34, 34, 34, 34, 34, 34, 34, 34, 34, 34, 34, 34, 34, 34,  
34, 34, 34, 34, 34, 34, 34, 34, 242, 34, 242, 38, 34, 34, 47, 98, 47, 34, 102, 102,  
226, 238, 225, 190, 123, 190, 187, 235, 190, 235, 238, 238, 238, 238, 238, 238, 238,  
238, 190, 235,  
235, 187, 187, 187, 59, 55, 187, 187, 187, 187, 235, 187, 190, 238, 238, 238, 235,  
238, 235, 235,  
27, 27, 187, 187, 59, 179, 187, 187, 177, 187, 179, 51, 51, 211, 131, 136, 56, 56,  
136, 136,  
128, 8, 128, 128, 0, 0, 0, 0, 8, 0, 128, 0, 0, 0, 0, 0, 0, 128, 136,  
128, 128, 136, 136, 51, 51, 179, 187, 179, 179, 187, 187, 179, 179, 179, 51, 131,  
136, 136, 136,  
56, 131, 131, 51, 51, 51, 59, 187, 187, 17, 17, 17, 17, 17, 17, 27, 17, 17, 17, 17,  
17, 27, 187, 179, 51, 51, 59, 51, 183, 58, 186, 186, 68, 196, 68, 68, 68, 158, 102, 42,  
102, 230, 111, 246, 246, 102, 102, 102, 102, 102, 102, 102, 102, 97, 17, 17, 17, 27,  
187, 187,  
187, 179, 187, 59, 187, 17, 177, 17, 17, 17, 30, 238, 30, 238, 238, 238, 238, 230, 230,  
102, 111,  
111, 102, 230, 238, 238, 190, 235, 238, 238, 190, 235, 238, 238, 238, 233, 238, 38,  
34, 47, 34,  
34, 242, 242, 47, 47, 34, 34, 47, 34, 34, 47, 34, 34, 34, 34, 242, 34, 34, 34, 47,  
34, 34, 34, 34, 34, 34, 34, 34, 34, 34, 34, 34, 34, 34, 41, 34, 34, 34, 34, 34, 146,  
34, 34, 146, 146, 146, 146, 146, 146, 146, 34, 146, 34, 146, 146, 146, 41, 34, 34, 41,  
34,  
146, 34, 34, 146, 34, 34, 146, 34, 146, 34, 34, 146, 34, 34, 34, 34, 34, 146, 34,  
146, 34, 41, 34, 34, 34, 34, 146, 34, 41, 34, 34, 34, 34, 34, 34, 34, 34,  
34, 34, 34, 34, 47, 47, 47, 47, 47, 47, 34, 242, 246, 34, 47, 98, 102, 38, 110,  
46, 238, 238, 235, 238, 235, 238, 190, 123, 238, 238, 238, 238, 158, 158, 46, 238,  
238, 235, 187,  
187, 187, 179, 183, 187, 179, 187, 59, 187, 123, 190, 238, 238, 238, 238, 238, 238,  
190, 187, 187,

187, 187, 187, 187, 187, 187, 187, 187, 30, 187, 187, 51, 51, 61, 51, 56, 51, 136, 136,  
136, 136,  
136, 128, 8, 0, 128, 0, 0, 0, 0, 0, 0, 0, 0, 0, 0, 8, 0, 128, 8, 8,  
8, 136, 131, 51, 51, 59, 59, 51, 59, 59, 51, 179, 187, 179, 51, 56, 136, 136, 136, 128,  
51, 56, 51, 51, 51, 51, 179, 187, 187, 187, 17, 17, 17, 17, 17, 17, 17, 17, 17,  
17, 17, 27, 187, 187, 187, 51, 187, 179, 187, 187, 17, 164, 68, 68, 68, 68, 102, 238,  
230,  
102, 38, 46, 111, 111, 246, 102, 102, 102, 102, 102, 102, 97, 97, 97, 17, 17, 17, 27,  
187,  
187, 187, 187, 187, 187, 27, 17, 17, 17, 17, 225, 238, 238, 238, 238, 110, 110, 110,  
102, 102,  
255, 255, 102, 238, 238, 235, 190, 187, 126, 238, 190, 126, 238, 238, 238, 226, 226,  
102, 47, 34,  
47, 34, 47, 34, 242, 34, 242, 34, 34, 47, 34, 47, 34, 47, 34, 34, 34, 34, 34, 34,  
34, 34, 34, 34, 34, 34, 34, 34, 34, 34, 34, 34, 146, 34, 34, 34, 146, 34, 34, 34,  
34, 146, 34, 34, 34, 34, 34, 34, 34, 34, 146, 34, 146, 34, 34, 34, 34, 34, 34, 34,  
34, 34, 146, 34, 146, 146, 34, 146, 34, 146, 34, 34, 146, 34, 146, 41, 41, 34, 34, 146,  
34, 146, 34, 34, 34, 146, 34, 146, 34, 146, 34, 34, 34, 34, 34, 34, 34, 34, 34, 34,  
34, 34, 34, 34, 34, 34, 34, 34, 242, 242, 47, 242, 38, 34, 38, 34, 38, 38, 226, 98,  
238, 238, 235, 238, 187, 190, 187, 238, 238, 238, 238, 238, 233, 238, 238, 238, 238,  
235, 190, 190,  
187, 187, 187, 179, 187, 187, 187, 187, 235, 190, 238, 190, 238, 238, 238, 235, 238,  
235, 235, 235,  
235, 187, 187, 187, 187, 187, 187, 238, 187, 187, 179, 179, 51, 51, 51, 51, 56, 56, 56,  
136, 128,  
128, 8, 0, 128, 8, 8, 8, 0, 0, 128, 0, 8, 0, 0, 8, 0, 8, 8, 128, 136,  
136, 51, 51, 51, 187, 187, 59, 187, 187, 187, 187, 187, 51, 51, 51, 136, 136, 136,  
128, 8,  
51, 51, 51, 51, 51, 51, 59, 51, 187, 187, 17, 17, 22, 17, 17, 17, 17, 17, 17, 17,  
97, 17, 17, 27, 187, 187, 187, 179, 187, 187, 123, 171, 234, 68, 76, 68, 78, 174, 166,  
238,  
238, 110, 102, 246, 246, 111, 102, 102, 102, 102, 102, 102, 102, 102, 22, 97, 97, 17,  
17, 17,

27, 187, 187, 187, 187, 177, 177, 17, 30, 225, 225, 238, 238, 238, 238, 238, 230,  
102, 102, 102,  
246, 111, 246, 102, 238, 238, 238, 238, 238, 187, 238, 235, 238, 238, 158, 158, 46,  
34, 34, 242,  
34, 47, 34, 34, 34, 242, 34, 242, 47, 34, 34, 34, 34, 34, 34, 34, 34, 34, 34, 34, 34,  
34, 34, 34, 34, 34, 34, 34, 34, 34, 34, 146, 41, 34, 34, 34, 41, 34, 34, 41, 34, 34,  
34, 34, 41, 34, 41, 34, 41, 41, 34, 34, 34, 34, 34, 146, 41, 41, 34, 146, 34, 146,  
146, 146, 34, 34, 34, 34, 146, 34, 146, 34, 146, 34, 34, 146, 41, 34, 34, 41, 34, 34,  
34, 34, 146, 34, 146, 34, 146, 34, 34, 34, 34, 34, 34, 146, 41, 34, 146, 34, 34, 34,  
34, 34, 34, 34, 34, 34, 242, 242, 242, 47, 242, 47, 242, 38, 34, 255, 34, 98, 110, 238,  
238, 238, 238, 235, 238, 235, 238, 123, 238, 238, 238, 158, 158, 233, 226, 238, 238,  
238, 235, 235,  
187, 183, 187, 123, 187, 187, 183, 235, 190, 238, 190, 238, 238, 238, 238, 238, 231,  
238, 187, 187,  
187, 187, 187, 187, 187, 238, 177, 187, 179, 51, 51, 51, 51, 61, 56, 216, 136, 221,  
136, 8,  
8, 128, 128, 8, 0, 0, 0, 8, 0, 0, 0, 0, 0, 128, 128, 136, 8, 128, 136, 136,  
51, 51, 51, 187, 59, 59, 179, 187, 187, 187, 179, 51, 51, 56, 136, 136, 136, 128, 8, 0,  
51, 51, 51, 51, 51, 51, 51, 187, 59, 187, 187, 17, 17, 17, 22, 17, 17, 17, 17, 17,  
22, 17, 17, 17, 27, 187, 187, 187, 187, 171, 177, 177, 30, 164, 68, 74, 238, 238, 238,  
238,  
110, 102, 230, 230, 111, 246, 255, 255, 102, 102, 102, 102, 102, 102, 102, 22, 22,  
17, 17, 17,  
17, 27, 27, 187, 187, 187, 17, 17, 17, 238, 238, 225, 238, 238, 102, 230, 110, 102,  
230, 102,  
111, 246, 246, 102, 110, 238, 238, 190, 238, 238, 235, 238, 238, 238, 238, 226, 226,  
102, 98, 47,  
47, 34, 47, 47, 34, 34, 34, 34, 34, 34, 34, 34, 34, 47, 34, 34, 47, 34, 34, 34, 34,  
34, 34, 34, 34, 34, 34, 34, 34, 146, 34, 34, 34, 34, 146, 34, 34, 34, 34, 146,  
146, 41, 34, 41, 34, 41, 34, 34, 34, 146, 146, 146, 146, 34, 34, 34, 34, 146, 34,  
34, 34, 146, 146, 146, 34, 34, 34, 34, 41, 34, 146, 146, 34, 34, 34, 41, 34, 34, 146,  
146, 146, 34, 146, 34, 34, 34, 34, 34, 146, 41, 34, 34, 34, 34, 41, 34, 34,  
34, 34, 34, 34, 34, 242, 34, 34, 47, 34, 47, 34, 34, 34, 34, 34, 102, 102, 98, 98,

238, 238, 235, 238, 235, 238, 238, 238, 238, 238, 238, 238, 238, 158, 238, 238, 238,  
187, 187, 187,  
187, 187, 187, 187, 183, 190, 187, 190, 235, 238, 238, 238, 238, 238, 238, 235, 238,  
187, 235, 235,  
235, 190, 187, 235, 238, 187, 235, 187, 59, 59, 51, 51, 51, 51, 211, 131, 221, 136, 8,  
128,  
128, 8, 8, 0, 8, 8, 0, 0, 8, 0, 8, 0, 128, 0, 8, 8, 136, 136, 136, 51,  
51, 59, 187, 179, 187, 179, 187, 187, 187, 179, 59, 51, 51, 136, 136, 136, 0, 0, 128,  
0,  
51, 51, 51, 51, 51, 51, 179, 51, 179, 187, 187, 177, 17, 22, 17, 97, 17, 17, 17, 17,  
17, 22, 17, 17, 17, 17, 187, 187, 187, 187, 187, 171, 113, 27, 27, 30, 238, 238, 238,  
238,  
238, 238, 102, 102, 102, 111, 111, 102, 255, 102, 102, 102, 102, 102, 102, 102, 97,  
97, 97, 17,  
17, 17, 17, 27, 177, 27, 187, 17, 30, 225, 238, 238, 238, 230, 238, 110, 230, 230,  
102, 102,  
246, 111, 255, 246, 102, 110, 238, 238, 238, 190, 190, 238, 238, 238, 233, 238, 46,  
34, 34, 34,  
34, 34, 34, 34, 34, 34, 242, 47, 34, 34, 47, 34, 34, 34, 242, 34, 34, 34, 34, 34,  
34, 34, 34, 34, 41, 34, 41, 34, 34, 34, 34, 146, 34, 34, 146, 34, 146, 34, 146, 34,  
34, 34, 34, 34, 41, 34, 34, 146, 146, 34, 34, 34, 34, 41, 41, 41, 41, 34, 34, 41,  
41, 34, 34, 34, 34, 146, 146, 146, 41, 34, 34, 34, 34, 41, 41, 41, 34, 34, 146, 34,  
34, 34, 34, 34, 34, 146, 41, 41, 41, 34, 34, 34, 41, 34, 34, 41, 34, 34, 34, 146,  
34, 34, 34, 34, 34, 34, 242, 242, 242, 242, 255, 38, 34, 255, 38, 34, 98, 238, 238,  
238, 238, 238, 238, 190, 238, 126, 238, 238, 238, 158, 158, 158, 238, 238, 238, 238,  
238, 235, 235,  
235, 235, 190, 187, 187, 187, 238, 238, 190, 238, 238, 238, 158, 238, 238, 238, 190,  
235, 190, 187,  
187, 187, 235, 190, 238, 238, 59, 51, 179, 51, 51, 51, 61, 211, 61, 141, 136, 141,  
128, 221,  
13, 0, 128, 8, 0, 0, 8, 0, 0, 8, 0, 128, 8, 8, 128, 136, 136, 136, 51, 51,  
187, 187, 187, 59, 187, 187, 187, 187, 187, 59, 51, 51, 136, 136, 136, 0, 128, 128, 0,  
0,



187, 179, 59, 51, 51, 179, 59, 59, 59, 59, 187, 187, 177, 17, 22, 22, 97, 97, 17, 97,  
97, 17, 97, 97, 97, 17, 17, 17, 17, 177, 171, 177, 17, 23, 231, 231, 231, 17, 225, 126,  
238, 238, 174, 102, 102, 102, 111, 111, 102, 246, 102, 102, 102, 102, 102, 102, 102,  
102, 22, 22,  
17, 17, 17, 17, 27, 177, 17, 177, 17, 238, 238, 238, 238, 110, 102, 230, 110, 102,  
102, 102,  
102, 111, 111, 242, 102, 102, 238, 238, 238, 238, 238, 238, 238, 238, 238, 238, 158, 226,  
230, 102, 38,  
34, 242, 47, 34, 242, 242, 34, 34, 34, 34, 34, 34, 242, 34, 34, 34, 34, 34, 34, 34,  
34, 34, 34, 34, 34, 34, 34, 34, 34, 146, 34, 34, 146, 34, 34, 146, 34, 146, 34, 34,  
146, 146, 41, 41, 34, 34, 146, 34, 34, 146, 41, 34, 41, 34, 34, 34, 34, 146, 34,  
34, 41, 34, 146, 146, 34, 34, 41, 34, 41, 41, 41, 41, 34, 34, 34, 34, 146, 34, 41,  
41, 34, 146, 146, 146, 41, 34, 34, 34, 41, 34, 34, 34, 34, 146, 34, 34, 146, 34, 34,  
34, 34, 34, 34, 34, 242, 34, 34, 47, 34, 34, 34, 34, 34, 98, 102, 102, 98, 238,  
226, 238, 238, 126, 238, 238, 238, 238, 238, 158, 233, 233, 226, 226, 238, 238, 235,  
187, 190, 187,  
187, 183, 187, 190, 126, 238, 190, 190, 238, 238, 233, 238, 238, 238, 235, 235, 235,  
190, 187, 190,  
190, 235, 190, 238, 187, 187, 187, 187, 51, 179, 51, 51, 51, 61, 216, 136, 136, 128,  
141, 0,  
208, 128, 8, 0, 128, 8, 0, 128, 128, 0, 128, 8, 128, 136, 136, 136, 131, 51, 51, 187,  
187, 187, 187, 187, 187, 187, 187, 187, 179, 51, 56, 136, 136, 136, 128, 128, 0, 0, 0,  
0,  
187, 187, 179, 187, 59, 59, 51, 179, 59, 179, 187, 187, 187, 17, 17, 17, 102, 22, 97,  
17,  
17, 17, 22, 22, 22, 17, 17, 17, 17, 17, 177, 17, 183, 17, 17, 17, 17, 23, 190, 225,  
30, 238, 238, 230, 102, 102, 102, 255, 255, 246, 102, 102, 102, 111, 111, 102, 102,  
102, 102, 97,  
97, 97, 17, 17, 17, 27, 177, 17, 17, 238, 238, 238, 230, 230, 110, 110, 110, 110, 102,  
102,  
111, 102, 255, 255, 255, 102, 102, 238, 238, 238, 238, 238, 238, 233, 238, 238, 158,  
34, 34, 34,  
34, 34, 34, 34, 34, 34, 47, 34, 34, 242, 34, 34, 34, 34, 34, 34, 34, 34, 34, 34,

34, 34, 34, 146, 34, 41, 34, 41, 34, 34, 146, 34, 34, 146, 34, 34, 146, 34, 34, 146,  
34, 34, 34, 34, 34, 146, 41, 41, 34, 34, 146, 41, 34, 146, 146, 146, 146, 41, 41,  
41, 34, 146, 34, 34, 146, 146, 34, 41, 34, 34, 34, 34, 146, 146, 146, 41, 41, 34,  
34, 34, 34, 34, 34, 41, 34, 41, 34, 41, 41, 34, 34, 34, 34, 34, 34, 34, 34,  
41, 34, 34, 34, 34, 34, 34, 242, 34, 34, 47, 47, 242, 242, 246, 38, 34, 98, 238, 46,  
238, 238, 238, 238, 238, 238, 238, 238, 158, 233, 238, 46, 238, 238, 238, 238, 190,  
238, 235, 190,  
190, 187, 235, 235, 190, 190, 238, 238, 233, 238, 238, 238, 238, 238, 238, 190, 190,  
187, 238, 235,  
235, 238, 238, 235, 235, 187, 51, 51, 179, 51, 51, 51, 221, 221, 56, 136, 128, 216, 0,  
141,  
0, 208, 128, 128, 8, 0, 8, 8, 8, 136, 8, 128, 136, 136, 136, 51, 51, 59, 187, 187,  
187, 187, 187, 187, 177, 187, 187, 179, 51, 56, 131, 136, 136, 128, 8, 0, 0, 0, 0,  
27, 187, 187, 179, 179, 179, 187, 59, 51, 187, 59, 187, 187, 187, 17, 17, 17, 97, 102,  
22,  
22, 22, 17, 17, 97, 102, 102, 17, 17, 17, 17, 23, 17, 17, 17, 113, 17, 225, 235, 17,  
17, 30, 238, 238, 238, 102, 102, 111, 111, 111, 246, 102, 102, 102, 102, 255, 102,  
102, 102, 102,  
22, 22, 97, 17, 17, 30, 17, 27, 17, 30, 238, 238, 110, 238, 102, 102, 102, 102, 102,  
102,  
102, 255, 111, 242, 246, 38, 102, 98, 238, 238, 238, 238, 238, 238, 238, 158, 226,  
226, 102, 98,  
98, 34, 34, 242, 34, 242, 34, 34, 34, 34, 34, 47, 34, 34, 34, 34, 34, 34, 34, 34,  
34, 34, 34, 34, 34, 34, 34, 34, 34, 34, 34, 146, 34, 34, 146, 34, 34, 34, 146, 34,  
146, 41, 41, 34, 146, 34, 34, 34, 41, 41, 34, 146, 146, 34, 34, 41, 34, 34, 34, 146,  
146, 146, 34, 146, 146, 34, 41, 41, 34, 146, 146, 146, 146, 146, 41, 34, 34, 34, 34,  
41,  
34, 146, 146, 41, 41, 41, 34, 41, 34, 34, 34, 34, 41, 41, 34, 41, 41, 34, 41, 34,  
34, 34, 34, 34, 34, 34, 34, 34, 242, 242, 34, 34, 34, 47, 34, 98, 230, 110, 46, 238,  
158, 238, 231, 238, 238, 238, 238, 158, 238, 158, 158, 46, 46, 46, 238, 238, 235,  
187, 190, 187,  
235, 235, 190, 190, 235, 238, 238, 238, 238, 226, 238, 238, 238, 238, 190, 235, 235,  
238, 187, 190,

190, 238, 238, 190, 187, 187, 187, 187, 59, 51, 51, 61, 51, 61, 221, 136, 216, 8, 141,  
0,  
128, 8, 0, 8, 0, 136, 128, 0, 0, 0, 128, 136, 136, 136, 51, 51, 59, 187, 187, 187,  
187, 187, 187, 177, 187, 187, 179, 51, 56, 136, 136, 136, 128, 8, 0, 0, 0, 0, 0, 0,  
17, 27, 187, 187, 187, 187, 59, 59, 187, 51, 179, 187, 187, 187, 17, 17, 22, 22, 22,  
97,  
97, 97, 97, 97, 22, 22, 22, 102, 17, 17, 17, 17, 17, 23, 27, 17, 183, 177, 190, 183,  
17, 27, 238, 238, 102, 230, 102, 102, 246, 255, 246, 246, 255, 111, 255, 111, 255,  
102, 102, 102,  
102, 97, 22, 22, 238, 17, 17, 17, 17, 225, 238, 230, 230, 102, 238, 102, 102, 102,  
102, 102,  
102, 246, 246, 246, 34, 98, 102, 110, 110, 226, 238, 238, 238, 238, 158, 233, 238,  
46, 34, 34,  
34, 34, 242, 34, 242, 34, 34, 34, 34, 34, 34, 34, 34, 34, 34, 34, 34, 34, 34, 34, 34,  
34, 41, 34, 34, 146, 34, 41, 34, 146, 146, 34, 34, 146, 146, 34, 146, 146, 146, 34,  
146,  
34, 34, 34, 146, 41, 41, 41, 34, 146, 34, 34, 34, 34, 146, 146, 146, 41, 41, 146, 34,  
34, 34, 146, 41, 34, 146, 146, 146, 41, 34, 41, 34, 41, 41, 34, 41, 41, 34, 146, 34,  
41, 41, 41, 34, 146, 34, 146, 146, 41, 41, 41, 41, 34, 34, 41, 34, 34, 34, 34, 41,  
34, 34, 34, 34, 34, 34, 34, 34, 34, 34, 242, 47, 34, 34, 98, 38, 34, 110, 226, 238,  
238, 238, 238, 238, 238, 238, 158, 238, 158, 226, 226, 226, 238, 238, 238, 235, 238,  
238, 187, 238,  
187, 190, 238, 238, 238, 238, 238, 158, 158, 238, 226, 238, 238, 238, 235, 30, 190,  
187, 238, 238,  
238, 238, 17, 187, 187, 59, 59, 51, 51, 51, 51, 211, 221, 221, 61, 128, 128, 128, 208,  
128,  
8, 0, 216, 0, 208, 0, 8, 136, 136, 136, 136, 136, 131, 51, 51, 187, 187, 187, 177, 187,  
187, 187, 17, 187, 187, 51, 51, 51, 136, 136, 136, 128, 8, 0, 0, 0, 128, 0, 0, 0,  
27, 17, 17, 27, 187, 187, 187, 187, 59, 187, 187, 187, 187, 187, 187, 17, 17, 17, 97,  
102,  
102, 97, 22, 22, 17, 97, 97, 97, 102, 22, 30, 17, 30, 17, 30, 190, 17, 225, 27, 225,  
17, 30, 17, 238, 238, 230, 102, 102, 111, 102, 255, 111, 102, 246, 111, 102, 111,  
255, 246, 102,

102, 102, 102, 97, 97, 110, 30, 17, 17, 30, 238, 230, 238, 230, 102, 102, 102, 102,  
102, 102,  
246, 102, 111, 255, 111, 38, 38, 38, 98, 238, 238, 46, 158, 238, 238, 238, 146, 233,  
102, 98,  
38, 34, 34, 34, 34, 34, 34, 34, 34, 34, 34, 34, 34, 34, 34, 34, 34, 34, 34, 34,  
146, 34, 41, 34, 34, 146, 34, 34, 34, 34, 146, 146, 34, 34, 34, 34, 34, 34, 146, 34,  
41, 41, 34, 34, 146, 34, 146, 146, 34, 146, 146, 146, 153, 41, 41, 34, 146, 34, 34,  
146,  
153, 41, 34, 146, 41, 41, 34, 41, 34, 41, 34, 41, 34, 34, 146, 146, 34, 146, 41, 41,  
34, 34, 34, 146, 41, 41, 34, 41, 34, 146, 34, 34, 34, 146, 34, 41, 34, 41, 34, 34,  
34, 41, 34, 34, 34, 34, 34, 242, 47, 34, 34, 34, 47, 47, 38, 98, 238, 46, 46, 238,  
238, 238, 233, 238, 158, 158, 238, 146, 233, 46, 46, 46, 238, 238, 238, 238, 190,  
187, 238, 190,  
126, 231, 190, 190, 238, 238, 238, 238, 238, 226, 238, 238, 238, 225, 30, 27, 238,  
238, 238, 238,  
238, 238, 187, 187, 187, 179, 179, 179, 179, 51, 61, 61, 211, 221, 216, 216, 216,  
216, 8, 8,  
128, 136, 0, 141, 8, 136, 0, 128, 136, 136, 131, 131, 51, 59, 187, 187, 187, 177, 187,  
187,  
27, 27, 187, 187, 179, 51, 56, 136, 136, 136, 128, 8, 0, 8, 0, 0, 0, 0, 0,  
177, 17, 17, 17, 17, 27, 187, 187, 187, 187, 187, 187, 187, 17, 177, 17, 17, 22,  
22,  
97, 102, 97, 97, 102, 22, 22, 97, 102, 102, 22, 30, 225, 30, 17, 113, 27, 177, 17, 187,  
177, 27, 225, 17, 238, 230, 22, 102, 102, 246, 255, 246, 255, 111, 102, 255, 246,  
246, 255, 102,  
102, 102, 102, 22, 22, 238, 110, 238, 238, 225, 238, 238, 102, 102, 230, 102, 102,  
102, 102, 102,  
102, 255, 255, 98, 47, 242, 242, 102, 102, 46, 46, 238, 238, 158, 233, 238, 238, 46,  
34, 38,  
34, 34, 47, 34, 34, 34, 34, 34, 34, 34, 34, 34, 34, 34, 34, 34, 34, 34, 34, 34,  
34, 34, 34, 41, 34, 34, 146, 41, 34, 41, 34, 34, 41, 34, 146, 146, 41, 34, 34, 41,  
34, 34, 146, 146, 34, 146, 34, 41, 41, 34, 41, 34, 34, 34, 34, 41, 34, 146, 146, 146,  
34, 146, 41, 34, 146, 34, 41, 34, 146, 146, 146, 146, 41, 34, 34, 34, 146, 41, 34, 146,

41, 146, 146, 41, 34, 146, 41, 34, 146, 34, 146, 146, 34, 34, 146, 34, 41, 34, 41, 34,  
146, 34, 34, 34, 34, 34, 34, 34, 34, 34, 242, 34, 34, 242, 98, 46, 34, 233, 238, 46,  
158, 233, 238, 238, 238, 238, 158, 238, 158, 226, 230, 238, 46, 238, 238, 235, 238,  
238, 190, 235,  
235, 238, 238, 238, 238, 158, 158, 233, 230, 110, 238, 238, 238, 238, 225, 238, 30,  
190, 238, 238,  
238, 27, 235, 187, 179, 187, 179, 51, 51, 211, 211, 211, 221, 211, 141, 128, 128, 13,  
128, 128,  
8, 0, 128, 208, 128, 8, 136, 136, 136, 136, 56, 51, 59, 187, 187, 187, 17, 187, 17, 27,  
27, 187, 187, 51, 51, 51, 131, 136, 136, 136, 8, 0, 0, 0, 0, 0, 0, 0, 0,  
187, 187, 17, 17, 17, 17, 187, 187, 187, 187, 187, 187, 187, 187, 17, 17, 17, 17,  
97,  
102, 102, 102, 102, 22, 97, 97, 102, 22, 22, 97, 97, 238, 238, 17, 225, 30, 235, 27,  
225,  
235, 30, 190, 30, 30, 238, 102, 230, 102, 102, 246, 111, 111, 246, 255, 102, 111,  
111, 255, 255,  
246, 102, 102, 246, 102, 102, 22, 238, 238, 238, 238, 230, 238, 102, 102, 102, 102,  
102, 111, 111,  
246, 246, 246, 246, 98, 255, 255, 34, 102, 230, 226, 226, 238, 238, 238, 158, 34,  
233, 230, 98,  
38, 47, 34, 34, 34, 242, 34, 34, 34, 34, 34, 34, 34, 34, 34, 34, 34, 34, 34, 146,  
34, 41, 34, 34, 41, 34, 34, 34, 41, 34, 41, 34, 146, 41, 34, 41, 34, 146, 146, 146,  
41, 41, 34, 41, 41, 41, 41, 34, 146, 41, 34, 146, 146, 146, 146, 146, 41, 41, 34, 41,  
146, 41, 34, 41, 41, 41, 34, 146, 41, 34, 41, 34, 146, 146, 146, 146, 41, 34, 146, 41,  
146, 41, 41, 146, 153, 34, 146, 146, 41, 41, 34, 34, 146, 41, 34, 41, 34, 41, 34, 34,  
34, 146, 34, 146, 34, 34, 34, 34, 34, 34, 34, 47, 47, 47, 38, 98, 110, 238, 238, 238,  
238, 238, 238, 158, 34, 233, 226, 146, 226, 46, 46, 46, 238, 238, 238, 238, 235, 235,  
235, 238,  
238, 238, 238, 238, 158, 238, 226, 238, 230, 238, 110, 238, 238, 225, 30, 30, 238,  
238, 238, 238,  
225, 187, 187, 187, 187, 51, 59, 51, 51, 61, 61, 221, 221, 221, 208, 8, 216, 128, 216,  
8,

208, 141, 216, 8, 8, 136, 136, 136, 131, 51, 51, 179, 187, 177, 177, 17, 187, 17, 187,  
17,  
187, 187, 179, 51, 51, 136, 136, 136, 136, 0, 0, 8, 0, 0, 0, 0, 0, 0, 0,  
59, 187, 177, 17, 17, 17, 17, 17, 17, 27, 187, 187, 187, 177, 187, 187, 177, 17, 17,  
22,  
17, 102, 102, 102, 97, 102, 102, 22, 97, 102, 102, 102, 22, 30, 238, 30, 17, 30, 190,  
187,  
190, 187, 235, 225, 17, 238, 238, 102, 102, 102, 111, 246, 246, 255, 102, 255, 246,  
255, 246, 246,  
255, 255, 102, 102, 102, 102, 110, 110, 110, 238, 238, 238, 102, 230, 110, 102, 102,  
102, 246, 102,  
111, 111, 98, 98, 246, 34, 242, 246, 34, 38, 46, 46, 226, 233, 238, 233, 238, 46, 34,  
38,  
34, 34, 34, 34, 34, 34, 34, 34, 34, 34, 34, 34, 34, 34, 34, 146, 41, 34, 34,  
41, 34, 41, 34, 34, 41, 34, 146, 34, 34, 34, 146, 34, 34, 41, 34, 41, 41, 34, 41,  
34, 146, 41, 34, 146, 34, 34, 146, 41, 34, 146, 41, 41, 34, 41, 34, 146, 34, 153, 34,  
41, 34, 153, 146, 34, 146, 146, 41, 34, 41, 34, 41, 34, 41, 41, 41, 146, 41, 41, 34,  
34, 146, 146, 41, 34, 153, 41, 41, 34, 146, 41, 41, 41, 34, 41, 34, 34, 34, 34, 146,  
34, 34, 34, 34, 34, 34, 34, 34, 34, 34, 34, 242, 47, 98, 46, 34, 46, 46, 158,  
233, 238, 158, 238, 238, 158, 46, 110, 46, 226, 226, 238, 238, 238, 238, 238, 190,  
238, 238, 238,  
238, 238, 238, 158, 238, 34, 238, 46, 110, 110, 238, 238, 238, 238, 238, 238, 238,  
238, 110, 238,  
27, 187, 187, 187, 179, 187, 51, 51, 61, 211, 211, 211, 221, 61, 136, 136, 13, 8, 0,  
221,  
13, 8, 13, 136, 136, 136, 136, 51, 51, 51, 187, 177, 17, 27, 27, 187, 17, 177, 17, 187,  
187, 179, 51, 51, 136, 136, 136, 128, 0, 128, 128, 0, 0, 0, 0, 0, 0, 0, 0,  
51, 51, 187, 177, 17, 17, 17, 17, 17, 17, 17, 177, 177, 187, 17, 17, 27, 17, 17, 17,  
102, 22, 22, 102, 102, 97, 97, 97, 102, 22, 102, 102, 102, 97, 30, 30, 30, 17, 235,  
225,  
27, 225, 190, 17, 225, 238, 22, 238, 102, 102, 102, 111, 111, 255, 255, 111, 111,  
102, 255, 255,

255, 102, 255, 246, 102, 102, 102, 102, 230, 110, 238, 238, 238, 102, 102, 102, 102,  
246, 111, 255,  
246, 38, 38, 38, 47, 111, 47, 34, 246, 98, 230, 98, 46, 238, 34, 238, 34, 233, 102, 34,  
98, 38, 34, 34, 34, 34, 34, 34, 34, 34, 34, 34, 34, 34, 34, 34, 34, 34, 34, 34, 41, 34,  
34, 41, 34, 41, 41, 34, 34, 34, 41, 41, 34, 34, 41, 41, 34, 41, 34, 41, 34, 41, 34,  
146, 41, 34, 146, 41, 41, 41, 41, 34, 146, 41, 34, 34, 146, 146, 41, 34, 146, 34, 153,  
146, 146, 34, 41, 146, 34, 41, 34, 146, 146, 41, 34, 146, 146, 34, 34, 41, 146, 146,  
153,  
153, 41, 41, 146, 153, 34, 146, 146, 153, 41, 146, 146, 34, 146, 34, 41, 41, 41, 34,  
34,  
146, 34, 146, 34, 146, 34, 34, 34, 34, 34, 34, 34, 34, 242, 38, 226, 238, 233, 238,  
226,  
238, 46, 233, 233, 233, 226, 98, 41, 98, 46, 110, 238, 46, 238, 238, 238, 238, 238,  
238, 238,  
238, 238, 158, 238, 46, 238, 46, 102, 102, 230, 238, 238, 238, 238, 238, 238, 230,  
102, 238, 235,  
187, 27, 187, 187, 59, 51, 51, 51, 51, 61, 61, 221, 221, 221, 208, 141, 216, 216, 216,  
128,  
136, 141, 136, 136, 136, 131, 131, 51, 59, 187, 177, 177, 177, 177, 177, 17, 17, 17,  
187, 187,  
51, 51, 56, 136, 136, 136, 128, 0, 128, 0, 0, 0, 0, 0, 0, 0, 0, 0,  
51, 51, 59, 187, 177, 17, 17, 97, 17, 17, 17, 17, 17, 17, 187, 187, 17, 177, 17, 17,  
17, 97, 102, 102, 102, 102, 102, 102, 22, 97, 97, 97, 102, 102, 102, 238, 238, 30, 30,  
17,  
30, 177, 235, 17, 30, 30, 238, 230, 22, 102, 102, 102, 246, 111, 255, 255, 255, 255,  
111, 255,  
255, 255, 246, 255, 255, 102, 111, 102, 102, 102, 102, 230, 230, 102, 102, 102, 102,  
255, 246, 102,  
98, 102, 98, 102, 242, 47, 98, 242, 34, 38, 34, 110, 226, 46, 238, 34, 238, 46, 34,  
226,  
38, 34, 34, 34, 34, 34, 34, 34, 34, 34, 34, 34, 34, 34, 34, 146, 34, 34, 34, 41,  
34, 34, 34, 34, 34, 41, 41, 41, 34, 34, 146, 41, 146, 34, 146, 146, 41, 146, 146, 146,  
41, 34, 146, 41, 34, 146, 146, 34, 146, 41, 146, 41, 146, 41, 34, 146, 41, 41, 146, 34,

41, 41, 153, 34, 41, 153, 146, 153, 34, 41, 146, 146, 41, 34, 153, 41, 34, 34, 34, 34,  
34, 153, 146, 41, 34, 153, 41, 41, 34, 146, 41, 34, 146, 41, 41, 34, 34, 34, 41, 34,  
34, 146, 34, 34, 34, 41, 34, 34, 34, 34, 34, 34, 242, 246, 98, 46, 34, 238, 34, 238,  
158, 233, 238, 46, 158, 38, 150, 110, 46, 226, 238, 46, 238, 238, 238, 238, 238, 238,  
238, 238,  
238, 158, 238, 34, 233, 226, 230, 110, 238, 238, 238, 238, 238, 238, 238, 230, 110,  
238, 225, 177,  
27, 187, 187, 187, 179, 59, 51, 61, 221, 211, 211, 221, 221, 216, 136, 141, 8, 8, 8, 8,  
136, 136, 216, 136, 131, 51, 51, 59, 187, 177, 17, 17, 27, 17, 17, 17, 27, 187, 187,  
51,  
51, 51, 136, 136, 136, 128, 128, 128, 0, 0, 0, 0, 0, 0, 0, 0, 0, 0, 0,  
136, 51, 51, 59, 187, 17, 17, 17, 97, 17, 17, 17, 17, 17, 17, 177, 17, 17, 17,  
97, 22, 17, 97, 102, 102, 102, 102, 97, 102, 102, 102, 97, 102, 97, 97, 110, 17, 225,  
17,  
17, 17, 30, 17, 225, 225, 238, 238, 102, 22, 102, 246, 111, 246, 111, 246, 255, 111,  
255, 111,  
255, 255, 255, 255, 111, 255, 102, 102, 102, 102, 230, 110, 110, 238, 102, 102, 246,  
102, 246, 242,  
102, 242, 246, 47, 102, 98, 38, 47, 255, 242, 102, 34, 46, 98, 34, 238, 34, 226, 98,  
38,  
41, 98, 34, 34, 34, 34, 34, 34, 34, 34, 34, 34, 34, 34, 146, 34, 41, 41, 34, 34,  
41, 41, 41, 41, 34, 34, 34, 34, 41, 34, 41, 34, 34, 146, 34, 41, 34, 41, 34, 34,  
146, 41, 34, 146, 146, 34, 41, 146, 41, 34, 41, 146, 41, 146, 153, 41, 146, 146, 41,  
153,  
34, 146, 34, 153, 34, 34, 41, 34, 153, 34, 34, 41, 146, 146, 34, 146, 146, 153, 153,  
153,  
153, 34, 153, 153, 153, 153, 153, 146, 153, 41, 146, 153, 34, 146, 34, 146, 146, 41,  
34, 41,  
34, 34, 41, 34, 34, 34, 34, 34, 34, 34, 47, 47, 34, 46, 34, 238, 46, 238, 46,  
233, 238, 34, 226, 226, 98, 98, 34, 226, 110, 46, 238, 238, 238, 238, 238, 238, 238,  
238, 233,  
233, 238, 34, 238, 238, 46, 102, 230, 102, 238, 238, 238, 238, 230, 110, 46, 110,  
238, 27, 27,



187, 187, 187, 179, 51, 51, 61, 51, 51, 221, 221, 221, 211, 216, 208, 216, 216, 141,  
136, 136,  
136, 136, 136, 131, 51, 51, 187, 187, 177, 17, 17, 17, 17, 17, 17, 177, 177, 187, 179,  
51,  
51, 136, 136, 136, 136, 8, 8, 0, 0, 128, 0, 0, 0, 0, 0, 0, 0, 0, 0,  
136, 131, 131, 51, 51, 187, 177, 17, 22, 22, 17, 17, 17, 17, 17, 17, 17, 17, 17,  
17, 17, 102, 102, 22, 102, 102, 102, 102, 102, 22, 102, 102, 97, 102, 102, 22, 102,  
22, 238,  
238, 30, 17, 17, 17, 30, 238, 230, 225, 102, 102, 102, 246, 111, 246, 255, 255, 255,  
111, 255,  
246, 255, 255, 255, 255, 111, 255, 102, 102, 102, 102, 102, 102, 102, 102, 102, 102, 111,  
255, 98, 102,  
38, 38, 98, 98, 34, 38, 47, 47, 34, 47, 34, 102, 98, 46, 110, 150, 46, 38, 46, 34,  
102, 150, 34, 34, 34, 34, 34, 34, 34, 34, 34, 34, 34, 34, 34, 34, 34, 34, 41, 34,  
34, 34, 34, 34, 41, 41, 34, 41, 34, 146, 146, 41, 34, 41, 41, 34, 153, 34, 146, 146,  
41, 146, 153, 34, 41, 153, 34, 41, 146, 153, 34, 41, 34, 34, 34, 34, 41, 34, 146, 34,  
153, 34, 153, 34, 153, 153, 34, 146, 34, 153, 153, 34, 34, 41, 146, 41, 41, 34, 34, 34,  
41, 153, 41, 41, 41, 41, 153, 41, 146, 41, 34, 153, 41, 41, 34, 41, 34, 41, 34,  
34, 146, 34, 34, 34, 146, 34, 34, 34, 34, 34, 34, 34, 98, 98, 238, 34, 233, 233, 233,  
238, 41, 238, 150, 146, 38, 38, 226, 46, 46, 238, 46, 158, 226, 238, 238, 238, 238,  
233, 238,  
238, 233, 238, 34, 38, 230, 110, 46, 238, 110, 230, 230, 230, 102, 102, 230, 238,  
225, 190, 177,  
177, 187, 187, 59, 59, 51, 51, 211, 221, 51, 211, 221, 221, 216, 136, 141, 141, 136,  
136, 136,  
61, 131, 51, 51, 51, 187, 187, 17, 225, 17, 17, 17, 17, 17, 17, 27, 187, 179, 51, 51,  
136, 136, 136, 136, 0, 128, 0, 0, 0, 0, 0, 0, 0, 0, 0, 0, 0, 0,  
136, 136, 131, 131, 51, 59, 187, 177, 17, 17, 102, 97, 97, 17, 17, 17, 17, 17, 17,  
22, 22, 22, 102, 102, 102, 102, 102, 102, 102, 102, 97, 102, 102, 102, 102, 102, 102,  
97, 110,  
17, 225, 225, 30, 30, 225, 238, 225, 102, 102, 22, 102, 102, 111, 111, 111, 255, 255,  
255, 246,

255, 255, 255, 255, 255, 255, 246, 255, 255, 102, 246, 102, 102, 102, 102, 102, 102, 246,  
111, 102, 246,  
98, 98, 38, 246, 102, 242, 255, 255, 242, 242, 255, 34, 38, 98, 34, 226, 233, 226, 34,  
226,  
34, 34, 34, 98, 34, 34, 34, 34, 34, 34, 34, 34, 41, 34, 41, 41, 34, 146, 34, 41,  
41, 41, 34, 41, 34, 34, 41, 34, 146, 41, 34, 146, 146, 146, 34, 146, 34, 146, 41, 41,  
34, 34, 34, 153, 34, 34, 153, 146, 41, 34, 153, 34, 153, 153, 153, 153, 146, 153, 41,  
153,  
34, 153, 34, 146, 34, 34, 153, 41, 146, 34, 34, 153, 153, 146, 41, 146, 146, 153, 153,  
153,  
146, 146, 153, 153, 146, 153, 153, 153, 146, 153, 146, 153, 34, 34, 146, 146, 34, 34,  
34, 34,  
146, 34, 34, 41, 34, 34, 34, 34, 34, 41, 34, 47, 255, 38, 38, 41, 238, 46, 46, 238,  
146, 238, 146, 98, 98, 105, 98, 46, 226, 238, 158, 238, 238, 238, 238, 233, 238, 233,  
238, 158,  
158, 158, 34, 238, 226, 102, 98, 238, 110, 238, 110, 230, 102, 98, 102, 110, 225, 27,  
27, 27,  
187, 187, 179, 179, 51, 51, 211, 221, 61, 221, 221, 221, 61, 136, 141, 136, 136, 216,  
136, 141,  
131, 131, 51, 51, 187, 177, 30, 30, 17, 17, 17, 17, 17, 17, 187, 187, 179, 51, 51, 136,  
136, 136, 136, 0, 128, 0, 128, 0, 0, 0, 0, 0, 0, 0, 0, 0, 0, 0,  
136, 136, 136, 131, 51, 51, 59, 187, 17, 17, 17, 102, 22, 97, 102, 17, 17, 17, 17, 17,  
17, 17, 97, 22, 22, 22, 102, 102, 102, 102, 102, 102, 102, 102, 102, 102, 102, 22, 31,  
22,  
102, 97, 30, 225, 238, 30, 30, 22, 30, 22, 102, 102, 102, 102, 246, 255, 255, 255,  
255, 255,  
255, 255, 255, 255, 255, 255, 255, 255, 246, 246, 111, 102, 102, 102, 102, 111, 111,  
246, 38, 98,  
38, 246, 98, 98, 34, 38, 47, 34, 47, 34, 34, 246, 98, 38, 102, 38, 38, 38, 226, 34,  
38, 38, 34, 34, 34, 34, 34, 34, 34, 41, 34, 41, 34, 41, 34, 34, 34, 34, 41, 34,  
34, 34, 41, 34, 41, 41, 34, 41, 34, 146, 41, 34, 41, 41, 41, 41, 41, 41, 34, 146,  
153, 153, 146, 34, 153, 146, 34, 41, 146, 153, 34, 153, 34, 34, 34, 34, 41, 34, 146,  
34,

146, 34, 153, 41, 153, 153, 34, 146, 41, 153, 153, 34, 34, 41, 146, 41, 41, 34, 34, 34,  
153, 41, 146, 153, 153, 153, 153, 153, 153, 41, 41, 41, 153, 146, 34, 41, 41, 41, 41,  
34,  
41, 41, 41, 34, 41, 34, 34, 41, 34, 34, 34, 34, 34, 98, 105, 238, 41, 226, 233, 41,  
238, 146, 226, 34, 34, 102, 38, 233, 110, 46, 238, 233, 238, 226, 226, 238, 233, 238,  
46, 226,  
226, 230, 238, 34, 110, 110, 238, 230, 230, 46, 98, 102, 102, 110, 238, 238, 17, 30,  
177, 177,  
187, 187, 59, 51, 51, 211, 211, 51, 221, 61, 61, 221, 221, 141, 136, 136, 136, 136,  
51, 51,  
51, 51, 59, 187, 177, 17, 30, 17, 17, 225, 225, 225, 17, 27, 187, 179, 51, 56, 136,  
136,  
136, 136, 128, 128, 0, 8, 0, 0, 0, 0, 0, 0, 0, 0, 0, 0, 0, 0, 0,  
8, 136, 136, 136, 136, 51, 51, 59, 187, 17, 17, 17, 97, 102, 17, 102, 22, 22, 22, 22,  
17, 97, 22, 17, 102, 102, 22, 102, 102, 102, 102, 102, 102, 102, 102, 102, 102, 102,  
102, 102,  
97, 102, 97, 110, 238, 238, 238, 97, 110, 102, 22, 102, 102, 102, 111, 111, 111, 255,  
255, 255,  
255, 255, 255, 255, 255, 255, 255, 255, 255, 255, 246, 255, 111, 246, 102, 102, 102,  
242, 98, 246,  
98, 98, 38, 38, 246, 242, 242, 255, 242, 47, 34, 34, 47, 98, 34, 98, 98, 98, 34, 230,  
34, 34, 34, 34, 34, 34, 34, 34, 146, 34, 34, 34, 34, 34, 34, 41, 34, 41, 34, 34,  
146, 146, 34, 41, 34, 146, 41, 34, 146, 41, 34, 146, 146, 34, 146, 34, 146, 34, 153,  
34,  
34, 34, 41, 146, 34, 41, 153, 146, 41, 34, 153, 34, 153, 153, 153, 153, 146, 153, 41,  
153,  
41, 153, 34, 146, 34, 34, 153, 41, 146, 34, 34, 153, 153, 146, 41, 146, 146, 153, 153,  
153,  
146, 153, 153, 153, 153, 153, 153, 153, 153, 146, 153, 146, 34, 41, 153, 34, 146, 34,  
34, 146,  
34, 34, 34, 34, 34, 41, 34, 34, 34, 34, 47, 38, 34, 46, 146, 238, 158, 46, 238,  
146, 98, 34, 98, 98, 34, 98, 46, 34, 226, 226, 238, 226, 238, 238, 226, 238, 34, 233,  
46,

46, 34, 38, 110, 46, 98, 230, 102, 110, 230, 110, 102, 38, 102, 238, 225, 17, 187,  
235, 187,  
187, 51, 179, 51, 51, 51, 61, 221, 61, 61, 221, 61, 216, 136, 141, 136, 56, 51, 131,  
51,  
51, 59, 187, 17, 238, 238, 225, 225, 17, 17, 30, 17, 27, 187, 51, 51, 56, 131, 136,  
136,  
136, 136, 0, 0, 0, 0, 0, 0, 0, 0, 0, 0, 0, 0, 0, 0, 0, 0, 0, 0,  
128, 128, 136, 136, 131, 131, 131, 51, 59, 187, 17, 17, 22, 22, 102, 22, 97, 97, 17,  
17,  
97, 22, 17, 102, 22, 22, 102, 102, 102, 102, 102, 102, 102, 102, 102, 102, 102, 102,  
102, 102,  
102, 102, 22, 97, 110, 225, 110, 22, 22, 22, 97, 97, 102, 102, 102, 246, 255, 255,  
255, 255,  
255, 255, 255, 255, 255, 255, 255, 255, 255, 255, 255, 255, 246, 246, 255, 102, 246,  
102, 102, 34,  
102, 38, 242, 98, 34, 255, 98, 242, 47, 34, 47, 34, 47, 34, 98, 38, 38, 34, 226, 146,  
98, 34, 98, 98, 34, 34, 34, 34, 34, 34, 41, 34, 41, 34, 41, 34, 41, 34, 34, 146,  
34, 34, 146, 146, 146, 34, 146, 146, 41, 34, 146, 41, 34, 146, 41, 41, 41, 146, 34,  
153,  
153, 153, 146, 41, 153, 146, 34, 41, 146, 153, 34, 153, 41, 34, 34, 41, 41, 34, 146,  
34,  
146, 34, 153, 41, 153, 153, 34, 146, 41, 153, 153, 34, 34, 153, 146, 41, 41, 34, 146,  
146,  
153, 153, 41, 153, 153, 153, 153, 153, 153, 153, 153, 146, 153, 153, 146, 34, 146, 41, 41,  
41, 41,  
34, 146, 146, 41, 41, 34, 34, 34, 146, 34, 34, 47, 98, 98, 233, 230, 146, 233, 105,  
146,  
226, 38, 34, 34, 34, 226, 46, 226, 238, 238, 46, 46, 238, 233, 233, 238, 158, 238, 46,  
98,  
98, 110, 98, 98, 230, 110, 230, 238, 46, 46, 38, 38, 230, 238, 238, 225, 17, 225, 187,  
235,  
187, 187, 51, 51, 51, 51, 211, 51, 221, 211, 221, 211, 211, 211, 131, 51, 211, 51, 51,  
51,

187, 177, 17, 17, 30, 17, 30, 30, 238, 225, 17, 27, 187, 179, 51, 51, 131, 136, 136,  
136,  
128, 0, 128, 128, 0, 0, 0, 0, 0, 0, 0, 0, 0, 0, 0, 0, 0, 8, 0,  
8, 136, 136, 136, 136, 136, 136, 51, 51, 51, 59, 187, 177, 17, 97, 102, 97, 102, 22, 102,  
97,  
22, 97, 102, 17, 97, 97, 97, 102, 102, 102, 102, 102, 102, 102, 102, 102, 102, 102,  
102, 102,  
102, 102, 102, 102, 22, 102, 22, 230, 30, 97, 102, 102, 102, 102, 111, 111, 111, 111,  
111, 255,  
255, 255, 255, 255, 255, 255, 255, 255, 255, 255, 255, 255, 255, 255, 102, 255, 111,  
98, 47, 102,  
47, 242, 38, 47, 98, 242, 47, 47, 34, 242, 242, 34, 242, 38, 34, 98, 34, 98, 38, 98,  
34, 34, 34, 146, 34, 34, 41, 34, 34, 146, 34, 41, 34, 41, 34, 41, 34, 34, 146, 41,  
41, 41, 34, 34, 41, 41, 34, 41, 34, 153, 41, 34, 153, 41, 146, 146, 146, 41, 153, 34,  
34, 34, 41, 146, 34, 41, 153, 146, 41, 41, 153, 34, 146, 153, 153, 146, 146, 153, 41,  
153,  
41, 153, 34, 146, 34, 34, 153, 41, 146, 41, 34, 153, 153, 34, 41, 146, 153, 153, 41,  
41,  
153, 41, 153, 153, 153, 153, 153, 153, 153, 153, 153, 41, 34, 41, 153, 41, 34, 146,  
34, 34,  
146, 34, 41, 34, 34, 41, 41, 34, 34, 34, 34, 242, 34, 34, 46, 146, 226, 46, 46, 98,  
150, 41, 98, 34, 98, 46, 34, 46, 34, 46, 238, 226, 226, 238, 238, 34, 226, 146, 233,  
102,  
46, 34, 110, 46, 230, 226, 102, 38, 230, 226, 230, 230, 110, 238, 238, 17, 177, 187,  
187, 187,  
179, 51, 51, 51, 51, 51, 61, 221, 61, 61, 51, 221, 61, 61, 56, 211, 51, 51, 59, 187,  
187, 225, 30, 238, 225, 238, 225, 225, 17, 30, 17, 187, 179, 51, 51, 136, 136, 136,  
136, 0,  
8, 128, 0, 0, 128, 0, 0, 0, 0, 0, 0, 0, 0, 0, 0, 128, 128, 136,  
128, 8, 8, 8, 136, 136, 136, 56, 51, 51, 59, 187, 17, 17, 17, 102, 102, 102, 97, 102,  
97, 22, 17, 102, 22, 22, 22, 102, 102, 102, 102, 102, 102, 102, 102, 102, 102, 102,  
102, 102,

102, 102, 102, 102, 102, 22, 102, 22, 102, 22, 22, 22, 102, 102, 102, 246, 246, 255,  
255, 255,  
255, 255, 255, 255, 255, 255, 255, 255, 255, 255, 255, 255, 255, 255, 255, 255, 255, 38,  
102, 102, 34,  
111, 38, 98, 242, 47, 38, 47, 242, 38, 34, 34, 242, 34, 34, 47, 34, 38, 38, 34, 34,  
98, 98, 34, 98, 34, 34, 34, 41, 34, 34, 146, 34, 34, 34, 41, 34, 34, 146, 41, 34,  
34, 34, 41, 41, 34, 146, 41, 34, 146, 34, 34, 153, 34, 146, 41, 41, 41, 34, 34, 153,  
153, 153, 146, 153, 153, 146, 34, 153, 146, 146, 34, 153, 41, 41, 34, 41, 41, 146,  
146, 34,  
146, 34, 153, 41, 153, 153, 34, 153, 41, 146, 153, 41, 34, 153, 146, 153, 41, 41, 146,  
153,  
41, 153, 153, 153, 153, 153, 148, 153, 153, 153, 146, 153, 41, 146, 34, 146, 146, 41,  
41, 146,  
34, 146, 34, 41, 41, 34, 34, 41, 34, 34, 34, 34, 98, 226, 34, 226, 46, 41, 41, 46,  
105, 98, 34, 98, 46, 34, 238, 226, 238, 233, 226, 238, 158, 34, 34, 238, 38, 102, 38,  
34,  
98, 230, 98, 226, 98, 110, 98, 230, 34, 102, 38, 102, 238, 238, 225, 225, 235, 190,  
187, 179,  
59, 59, 51, 51, 51, 51, 61, 51, 211, 211, 221, 51, 221, 211, 211, 51, 51, 59, 187, 187,  
238, 30, 225, 238, 30, 238, 30, 238, 225, 27, 187, 179, 51, 51, 131, 131, 136, 136, 0,  
136,  
0, 0, 128, 128, 0, 128, 0, 141, 208, 8, 0, 0, 0, 128, 0, 8, 128, 8, 8, 8,  
8, 128, 136, 136, 136, 136, 136, 131, 131, 51, 51, 59, 187, 17, 17, 22, 22, 97, 102,  
97,  
102, 97, 102, 97, 102, 102, 97, 97, 102, 102, 102, 102, 102, 102, 102, 102, 102, 102,  
102, 102,  
102, 102, 102, 102, 102, 246, 22, 97, 97, 102, 102, 102, 102, 102, 102, 102, 111,  
102, 255, 255,  
255, 255, 255, 255, 255, 255, 255, 255, 47, 47, 47, 47, 47, 255, 47, 255, 246, 98, 34, 98,  
102,  
47, 98, 38, 47, 242, 98, 34, 38, 34, 34, 242, 34, 47, 34, 242, 38, 34, 34, 34, 98,  
34, 34, 226, 146, 34, 34, 34, 34, 34, 34, 34, 146, 41, 41, 34, 34, 41, 34, 146, 41,

41, 41, 34, 146, 146, 34, 146, 146, 41, 41, 153, 34, 146, 41, 34, 146, 34, 153, 153,  
41,  
34, 34, 41, 34, 34, 153, 153, 34, 41, 153, 153, 41, 146, 146, 153, 146, 146, 41, 41,  
153,  
153, 153, 34, 146, 34, 146, 153, 34, 146, 153, 34, 146, 153, 41, 41, 34, 146, 146,  
153, 153,  
153, 41, 153, 153, 153, 153, 153, 153, 153, 153, 153, 41, 153, 41, 153, 34, 41, 34,  
34, 41,  
41, 41, 41, 34, 34, 34, 146, 34, 34, 34, 34, 98, 34, 158, 46, 146, 233, 230, 102, 41,  
34, 34, 38, 150, 34, 226, 34, 46, 34, 238, 46, 158, 226, 238, 46, 41, 98, 34, 98, 102,  
46, 38, 102, 110, 110, 98, 110, 98, 230, 38, 230, 238, 238, 238, 238, 177, 190, 187,  
187, 187,  
59, 51, 51, 51, 51, 51, 221, 51, 221, 51, 61, 51, 51, 51, 51, 187, 187, 190, 30,  
30, 238, 238, 238, 238, 238, 238, 17, 17, 187, 179, 51, 51, 56, 136, 136, 136, 128,  
136, 0,  
128, 128, 0, 0, 0, 8, 211, 208, 0, 0, 128, 128, 0, 136, 128, 136, 136, 136, 136,  
0, 8, 0, 136, 8, 136, 136, 136, 131, 131, 51, 51, 59, 187, 17, 17, 97, 102, 102, 102,  
102, 102, 97, 102, 22, 22, 102, 102, 102, 102, 102, 102, 102, 102, 102, 102, 102,  
102, 102, 102,  
102, 102, 102, 102, 102, 102, 246, 102, 102, 22, 22, 102, 97, 102, 102, 111, 111,  
111, 255, 255,  
255, 255, 255, 255, 255, 255, 255, 242, 242, 242, 242, 255, 47, 255, 47, 34, 38, 102,  
38, 47,  
98, 38, 34, 242, 47, 34, 255, 34, 34, 242, 34, 47, 34, 34, 34, 34, 38, 34, 98, 34,  
34, 34, 146, 34, 34, 34, 41, 41, 34, 146, 34, 34, 34, 34, 41, 41, 34, 41, 34, 146,  
34, 146, 146, 34, 41, 41, 34, 41, 41, 34, 34, 146, 41, 146, 153, 41, 153, 34, 34, 146,  
153, 153, 146, 153, 153, 34, 41, 153, 146, 34, 34, 146, 41, 153, 41, 41, 153, 146,  
153, 34,  
34, 146, 153, 153, 153, 41, 41, 153, 41, 34, 153, 41, 146, 146, 146, 153, 153, 41,  
146, 41,  
41, 153, 153, 153, 153, 153, 153, 153, 153, 153, 153, 146, 34, 146, 34, 153, 34, 153,  
41, 34,  
34, 34, 34, 34, 146, 146, 34, 146, 34, 34, 34, 34, 98, 233, 34, 226, 34, 153, 41, 98,

34, 34, 34, 98, 98, 158, 46, 34, 238, 158, 34, 226, 46, 34, 233, 102, 34, 230, 38, 34,  
226, 98, 98, 98, 98, 230, 98, 38, 38, 102, 102, 110, 238, 238, 27, 235, 235, 187, 187,  
59,  
51, 179, 51, 51, 51, 51, 61, 51, 211, 51, 61, 51, 51, 51, 59, 59, 187, 17, 238, 238,  
238, 238, 238, 238, 238, 225, 17, 17, 187, 179, 51, 51, 56, 136, 136, 136, 128, 136,  
0, 128,  
0, 0, 128, 8, 8, 0, 0, 141, 208, 0, 128, 8, 8, 136, 8, 8, 136, 136, 136, 51,  
136, 8, 136, 8, 128, 136, 136, 136, 136, 56, 56, 51, 51, 187, 187, 17, 17, 17, 102,  
102,  
102, 102, 102, 102, 97, 97, 97, 102, 97, 102, 102, 102, 102, 102, 102, 102, 102, 102,  
102, 102,  
102, 102, 102, 102, 102, 102, 102, 102, 102, 102, 102, 22, 102, 102, 102, 102, 102,  
246, 111, 255,  
255, 255, 255, 255, 255, 255, 242, 255, 47, 255, 47, 34, 242, 47, 255, 255, 98, 242,  
98, 111,  
38, 242, 246, 34, 98, 34, 34, 242, 242, 47, 47, 34, 34, 242, 47, 34, 34, 34, 34, 98,  
98, 98, 98, 34, 34, 34, 34, 34, 34, 34, 146, 41, 41, 34, 34, 34, 34, 146, 41, 34,  
146, 34, 41, 41, 34, 146, 41, 146, 34, 153, 146, 41, 146, 41, 34, 146, 34, 153, 153,  
41,  
146, 34, 153, 41, 34, 153, 146, 34, 41, 153, 153, 41, 146, 34, 146, 146, 41, 41, 34,  
153,  
153, 41, 146, 41, 41, 146, 146, 41, 146, 153, 41, 146, 41, 41, 41, 146, 41, 146, 153,  
153,  
153, 153, 41, 153, 153, 153, 153, 153, 153, 153, 153, 146, 153, 153, 41, 153, 34, 146, 34,  
146, 41,  
146, 146, 146, 146, 34, 34, 146, 34, 34, 34, 34, 98, 34, 150, 34, 146, 226, 230, 38,  
146,  
34, 38, 34, 34, 46, 226, 226, 238, 34, 226, 238, 34, 233, 98, 46, 34, 98, 34, 98, 110,  
38, 110, 110, 110, 46, 34, 38, 98, 102, 102, 110, 238, 238, 238, 30, 177, 187, 187,  
187, 179,  
179, 51, 51, 51, 51, 51, 51, 51, 51, 211, 51, 51, 51, 187, 187, 177, 30, 238, 238, 238,  
238, 238, 238, 238, 238, 17, 17, 187, 187, 51, 51, 56, 131, 136, 136, 136, 8, 0, 136,  
0,



128, 128, 8, 0, 0, 8, 8, 0, 8, 128, 8, 128, 128, 128, 136, 136, 136, 131, 51, 51,  
0, 0, 0, 128, 136, 128, 136, 136, 136, 136, 131, 51, 51, 51, 59, 187, 17, 17, 22, 102,  
102, 102, 102, 102, 102, 102, 102, 102, 97, 102, 102, 102, 102, 102, 102, 102, 111, 111,  
102, 102, 102,  
102, 102, 102, 246, 246, 102, 246, 102, 102, 102, 102, 102, 102, 102, 102, 102, 102, 111,  
111, 246, 255,  
255, 255, 255, 255, 255, 255, 255, 47, 242, 34, 255, 255, 255, 242, 47, 47, 47, 255,  
38, 47,  
242, 38, 34, 246, 34, 255, 34, 34, 34, 34, 34, 47, 34, 34, 34, 47, 34, 34, 242, 34,  
34, 34, 146, 34, 34, 41, 34, 146, 146, 146, 34, 34, 34, 41, 34, 146, 146, 41, 34, 41,  
34, 146, 146, 146, 146, 41, 34, 41, 153, 34, 41, 146, 41, 146, 153, 41, 153, 34, 34,  
146,  
41, 153, 34, 146, 153, 41, 41, 153, 146, 146, 146, 153, 41, 153, 41, 41, 146, 153,  
153, 41,  
41, 146, 41, 146, 146, 153, 41, 146, 41, 41, 146, 41, 153, 153, 146, 41, 146, 153, 41,  
41,  
41, 41, 153, 153, 153, 153, 73, 153, 153, 153, 153, 146, 146, 146, 34, 153, 41, 146,  
41, 34,  
41, 41, 41, 41, 41, 34, 34, 34, 34, 34, 34, 34, 46, 34, 226, 226, 146, 153, 41, 98,  
34, 34, 34, 226, 34, 150, 150, 146, 226, 46, 146, 238, 158, 38, 41, 98, 38, 98, 46, 34,  
102, 34, 34, 38, 98, 230, 98, 46, 102, 110, 238, 238, 238, 235, 235, 27, 187, 187,  
187, 59,  
51, 51, 51, 51, 51, 51, 51, 51, 51, 51, 51, 51, 179, 187, 187, 187, 225, 238, 238, 238,  
238,  
110, 238, 238, 110, 17, 17, 27, 187, 51, 51, 51, 131, 136, 136, 136, 8, 128, 136, 0,  
136,  
0, 8, 0, 8, 128, 128, 128, 8, 0, 8, 128, 136, 8, 136, 136, 131, 51, 51, 51, 187,  
8, 8, 8, 8, 0, 136, 136, 136, 136, 131, 136, 131, 131, 51, 51, 187, 187, 17, 17, 22,  
22, 102, 102, 102, 102, 102, 102, 102, 102, 102, 102, 102, 102, 102, 102, 102, 246,  
255, 246, 102,  
102, 102, 111, 111, 111, 255, 111, 246, 102, 102, 102, 111, 102, 102, 102, 102, 102,  
246, 111, 246,

255, 255, 255, 255, 255, 242, 242, 242, 255, 255, 79, 34, 34, 47, 242, 242, 255, 34,  
242, 255,  
255, 242, 242, 34, 47, 34, 242, 242, 47, 47, 47, 34, 34, 34, 34, 34, 34, 242, 34, 34,  
34, 34, 98, 34, 34, 34, 34, 34, 34, 34, 34, 41, 41, 41, 34, 146, 34, 41, 34, 146, 146,  
41, 41, 34, 34, 41, 146, 146, 146, 34, 153, 146, 41, 146, 41, 34, 146, 34, 153, 153,  
41,  
146, 146, 153, 41, 41, 146, 146, 146, 153, 41, 41, 41, 146, 146, 153, 146, 153, 41,  
41, 146,  
146, 153, 153, 41, 41, 41, 146, 153, 153, 146, 153, 153, 34, 41, 41, 153, 41, 41, 153,  
153,  
153, 153, 153, 153, 153, 153, 153, 153, 153, 153, 153, 41, 41, 153, 153, 34, 146, 41,  
146, 153,  
34, 34, 34, 34, 34, 146, 146, 146, 34, 34, 34, 38, 41, 34, 146, 146, 34, 226, 34, 34,  
34, 34, 98, 158, 46, 226, 226, 230, 158, 46, 38, 146, 98, 34, 102, 150, 34, 38, 98,  
110,  
34, 238, 110, 98, 38, 34, 38, 230, 46, 102, 238, 238, 238, 30, 190, 187, 235, 187, 59,  
51,  
55, 51, 53, 51, 51, 51, 51, 51, 51, 51, 59, 59, 59, 187, 190, 238, 238, 238, 238, 238, 110,  
238, 110, 238, 17, 17, 27, 179, 51, 51, 56, 136, 136, 56, 136, 136, 136, 216, 8, 136,  
8,  
136, 128, 136, 0, 8, 0, 8, 0, 136, 136, 8, 136, 136, 136, 51, 51, 51, 59, 187, 187,  
0, 128, 128, 128, 136, 8, 8, 136, 136, 136, 136, 56, 51, 51, 51, 59, 59, 187, 17, 17,  
97, 102, 102, 102, 102, 102, 102, 102, 102, 102, 102, 102, 102, 102, 102, 102, 102, 111,  
102, 111, 255,  
246, 255, 246, 102, 246, 102, 246, 111, 102, 102, 102, 102, 102, 102, 102, 102, 111,  
111, 246, 255,  
255, 255, 255, 255, 255, 255, 47, 255, 34, 242, 255, 255, 255, 255, 47, 47, 34, 255,  
255, 34,  
34, 255, 38, 47, 34, 242, 34, 47, 34, 242, 34, 34, 242, 34, 34, 34, 34, 34, 34, 34,  
34, 34, 34, 34, 41, 34, 41, 34, 146, 41, 34, 34, 34, 34, 34, 153, 34, 146, 41, 34,  
146, 34, 146, 153, 34, 41, 41, 41, 153, 34, 41, 146, 41, 146, 153, 153, 153, 34, 41,  
146,

153, 41, 41, 153, 146, 153, 153, 41, 41, 146, 153, 146, 153, 41, 146, 153, 146, 146,  
146, 153,  
153, 41, 41, 153, 153, 146, 153, 41, 41, 41, 41, 41, 153, 146, 146, 146, 153, 153, 41,  
41,  
146, 153, 41, 153, 153, 153, 153, 153, 153, 153, 146, 153, 146, 146, 41, 153, 41, 34,  
41, 34,  
153, 153, 41, 41, 41, 34, 34, 34, 41, 34, 34, 34, 46, 34, 226, 226, 34, 146, 34, 34,  
34, 34, 46, 41, 105, 34, 34, 34, 226, 34, 233, 226, 34, 38, 146, 98, 98, 98, 102, 34,  
230, 34, 98, 46, 98, 102, 102, 38, 230, 238, 46, 238, 238, 27, 235, 235, 187, 187,  
179, 187,  
51, 51, 51, 51, 51, 51, 51, 51, 59, 179, 187, 187, 190, 238, 238, 238, 238, 238, 110,  
230,  
110, 238, 17, 17, 27, 187, 59, 51, 51, 131, 131, 131, 136, 136, 216, 216, 136, 216,  
128, 128,  
128, 8, 0, 216, 128, 136, 8, 136, 128, 136, 136, 136, 131, 51, 51, 51, 187, 187, 177,  
17,  
0, 8, 8, 8, 0, 128, 136, 128, 136, 136, 136, 136, 136, 136, 51, 51, 59, 59, 187, 17,  
17, 22, 22, 102, 102, 102, 102, 102, 102, 102, 102, 102, 102, 102, 102, 102, 246,  
255, 255, 246,  
255, 111, 111, 255, 111, 255, 111, 255, 255, 255, 246, 102, 102, 102, 102, 102, 102,  
246, 111, 246,  
255, 255, 255, 255, 255, 242, 255, 47, 255, 47, 242, 34, 34, 34, 242, 242, 255, 34,  
34, 255,  
255, 34, 242, 242, 47, 34, 242, 34, 34, 34, 242, 242, 34, 34, 34, 34, 34, 34, 34, 34,  
34, 34, 34, 34, 34, 34, 34, 146, 41, 34, 34, 146, 146, 146, 146, 34, 41, 41, 34, 41,  
34, 146, 41, 34, 153, 146, 34, 146, 34, 153, 146, 41, 153, 41, 34, 34, 41, 153, 146,  
41,  
41, 41, 146, 41, 41, 34, 146, 153, 146, 153, 146, 153, 41, 146, 153, 146, 153, 153,  
153, 41,  
41, 153, 146, 146, 146, 153, 41, 153, 146, 153, 153, 146, 146, 153, 153, 41, 146,  
146, 153, 146,  
153, 153, 153, 153, 153, 153, 153, 153, 153, 153, 153, 146, 153, 41, 146, 34, 146,  
153, 146, 146,

34, 34, 146, 146, 146, 41, 41, 34, 34, 34, 34, 34, 41, 34, 153, 146, 34, 34, 34, 34,  
34, 226, 41, 230, 158, 98, 226, 226, 46, 98, 158, 150, 38, 34, 98, 34, 38, 38, 34, 230,  
34, 230, 38, 34, 38, 38, 38, 230, 110, 102, 238, 238, 225, 190, 187, 187, 187, 59, 59,  
83,  
179, 59, 51, 179, 51, 181, 187, 187, 179, 190, 187, 238, 238, 238, 238, 238, 230,  
110, 230, 110,  
238, 225, 17, 27, 187, 51, 51, 51, 136, 56, 56, 141, 141, 136, 136, 136, 216, 136,  
216, 216,  
141, 128, 136, 128, 136, 8, 128, 136, 136, 136, 131, 51, 51, 51, 59, 187, 187, 17, 17,  
17,  
128, 128, 0, 0, 136, 8, 128, 136, 136, 136, 136, 131, 131, 51, 131, 51, 51, 59, 187,  
187,  
17, 17, 97, 102, 102, 102, 102, 102, 102, 102, 102, 102, 102, 102, 102, 102, 102,  
246, 102, 255,  
255, 255, 246, 102, 246, 102, 246, 102, 102, 102, 111, 111, 111, 102, 102, 111, 255,  
111, 102, 111,  
111, 111, 255, 255, 255, 255, 34, 242, 34, 255, 47, 255, 255, 242, 47, 34, 34, 242,  
242, 34,  
34, 242, 47, 47, 34, 47, 34, 242, 242, 242, 34, 34, 34, 34, 242, 34, 34, 34, 34, 34,  
34, 34, 34, 41, 34, 41, 34, 34, 34, 146, 146, 41, 34, 41, 41, 41, 146, 34, 146, 146,  
41, 41, 34, 146, 34, 41, 153, 41, 153, 41, 41, 146, 34, 153, 153, 153, 146, 34, 153,  
146,  
153, 146, 153, 146, 153, 153, 41, 146, 153, 41, 41, 41, 146, 153, 146, 153, 41, 41,  
41, 153,  
146, 146, 153, 41, 153, 41, 153, 41, 153, 146, 153, 41, 41, 146, 146, 153, 41, 153,  
146, 153,  
153, 41, 41, 153, 153, 153, 153, 153, 153, 153, 153, 41, 41, 146, 153, 153, 41, 34,  
34, 41,  
146, 153, 34, 34, 41, 34, 34, 41, 34, 34, 34, 34, 34, 34, 226, 34, 41, 34, 34, 146,  
34, 146, 226, 146, 233, 46, 158, 150, 41, 46, 34, 34, 34, 34, 38, 38, 98, 98, 102, 34,  
102, 34, 98, 38, 98, 102, 230, 102, 226, 238, 238, 238, 238, 190, 190, 187, 187, 183,  
179, 187,

55, 51, 115, 51, 115, 59, 179, 187, 187, 187, 190, 238, 238, 238, 238, 102, 110, 230,  
110, 238,  
225, 17, 187, 187, 179, 51, 51, 56, 51, 136, 216, 56, 131, 141, 216, 211, 141, 216,  
136, 136,  
136, 136, 136, 8, 136, 136, 136, 136, 131, 131, 51, 51, 59, 187, 27, 17, 17, 17, 17,  
17,  
8, 0, 136, 136, 0, 128, 8, 8, 8, 136, 136, 136, 136, 136, 56, 51, 51, 51, 59, 59,  
187, 17, 17, 22, 22, 102, 102, 102, 102, 102, 102, 102, 102, 102, 102, 102, 102, 111,  
255, 102,  
246, 255, 255, 255, 111, 255, 111, 255, 255, 255, 246, 246, 246, 246, 246, 246, 102,  
246, 255, 255,  
246, 255, 255, 255, 255, 242, 255, 255, 255, 34, 242, 34, 34, 47, 242, 242, 242, 47,  
47, 47,  
47, 47, 242, 34, 242, 242, 34, 34, 47, 34, 242, 34, 34, 34, 34, 34, 34, 34, 34, 34,  
34, 34, 34, 34, 34, 34, 41, 41, 34, 34, 41, 34, 41, 34, 34, 34, 34, 146, 41, 34,  
146, 146, 153, 41, 153, 34, 34, 146, 34, 146, 146, 153, 153, 34, 41, 34, 153, 153, 34,  
153,  
34, 153, 34, 153, 41, 41, 153, 41, 41, 146, 153, 146, 153, 41, 41, 41, 146, 153, 146,  
146,  
153, 153, 41, 153, 41, 153, 41, 146, 146, 153, 41, 153, 153, 41, 41, 146, 153, 41, 41,  
153,  
41, 153, 153, 153, 41, 153, 153, 153, 153, 153, 41, 153, 146, 41, 41, 34, 146, 153,  
153, 146,  
41, 34, 146, 153, 34, 146, 146, 34, 34, 146, 34, 34, 34, 41, 146, 34, 34, 41, 34, 98,  
34, 226, 150, 98, 38, 34, 41, 105, 102, 41, 98, 34, 38, 34, 34, 34, 38, 38, 34, 102,  
34, 102, 38, 98, 102, 38, 38, 98, 238, 238, 238, 238, 190, 235, 187, 187, 187, 179,  
187, 51,  
51, 179, 51, 187, 59, 187, 187, 187, 238, 238, 238, 238, 238, 158, 38, 110, 102, 110,  
238, 238,  
17, 27, 187, 179, 51, 51, 56, 131, 136, 131, 136, 216, 61, 131, 61, 61, 211, 61, 221,  
141,  
141, 141, 136, 136, 136, 136, 136, 51, 51, 51, 51, 187, 187, 177, 17, 17, 17, 17, 17,  
22,

0, 8, 0, 0, 136, 8, 128, 136, 136, 128, 136, 136, 136, 131, 131, 131, 51, 51, 51, 179,  
187, 187, 17, 17, 97, 102, 102, 102, 102, 102, 102, 102, 102, 102, 102, 102, 111,  
102, 102, 255,  
111, 111, 255, 246, 246, 111, 246, 102, 111, 255, 255, 255, 255, 111, 111, 111, 255,  
111, 102, 111,  
255, 111, 255, 255, 255, 255, 242, 47, 34, 255, 47, 255, 47, 34, 34, 47, 47, 34, 242,  
242,  
242, 34, 34, 242, 34, 34, 242, 242, 34, 34, 34, 34, 47, 34, 34, 34, 34, 34, 34, 34,  
146, 34, 34, 146, 34, 146, 34, 34, 146, 41, 34, 146, 146, 41, 41, 41, 41, 34, 146,  
41, 34, 34, 146, 34, 153, 153, 41, 153, 41, 41, 34, 41, 153, 146, 153, 34, 41, 153, 41,  
153, 41, 153, 41, 146, 146, 146, 153, 146, 153, 146, 153, 41, 153, 153, 153, 41, 146,  
153, 153,  
41, 41, 146, 146, 153, 41, 146, 153, 41, 41, 146, 146, 146, 153, 153, 153, 146, 153,  
153, 41,  
153, 153, 41, 41, 153, 153, 153, 153, 153, 146, 146, 146, 153, 146, 146, 153, 41, 34,  
34, 41,  
34, 153, 41, 34, 146, 34, 41, 41, 34, 34, 34, 34, 41, 226, 34, 146, 146, 34, 34, 146,  
34, 146, 105, 34, 34, 46, 46, 38, 146, 38, 146, 98, 34, 38, 38, 102, 34, 98, 46, 34,  
98, 34, 34, 38, 38, 226, 230, 238, 110, 238, 238, 238, 235, 190, 190, 187, 187, 59,  
55, 59,  
115, 59, 187, 59, 187, 187, 190, 235, 235, 238, 238, 158, 46, 238, 230, 230, 110,  
230, 238, 17,  
187, 187, 179, 59, 51, 51, 131, 136, 131, 56, 61, 51, 211, 61, 51, 211, 61, 211, 51,  
211,  
211, 136, 141, 131, 131, 131, 51, 51, 51, 187, 187, 177, 17, 17, 17, 17, 17, 22, 22,  
17,  
136, 128, 128, 128, 0, 128, 136, 0, 128, 136, 136, 136, 136, 136, 136, 56, 51, 51, 51,  
51,  
187, 187, 187, 17, 17, 22, 22, 102, 102, 102, 102, 102, 102, 102, 102, 102, 102, 255,  
246, 102,  
255, 246, 255, 255, 255, 255, 111, 255, 255, 111, 255, 255, 255, 111, 111, 246, 111,  
246, 255, 246,

111, 255, 255, 255, 255, 242, 255, 242, 255, 34, 242, 34, 242, 242, 242, 34, 34, 242,  
34, 34,  
34, 242, 242, 34, 242, 242, 34, 47, 34, 34, 34, 34, 34, 34, 34, 34, 34, 41, 41, 34,  
34, 34, 146, 34, 34, 34, 41, 34, 41, 34, 146, 41, 34, 146, 146, 146, 146, 34, 146, 41,  
146, 153, 153, 41, 153, 34, 34, 146, 34, 146, 153, 153, 146, 41, 41, 41, 153, 146,  
146, 146,  
146, 146, 146, 146, 153, 153, 41, 146, 153, 153, 41, 41, 153, 41, 41, 41, 153, 41, 41,  
41,  
153, 146, 153, 153, 146, 146, 153, 153, 153, 146, 153, 153, 41, 146, 146, 146, 153,  
146, 146, 153,  
41, 41, 153, 153, 146, 146, 146, 146, 146, 153, 153, 41, 146, 153, 41, 146, 146, 153,  
153, 146,  
153, 146, 146, 146, 34, 153, 34, 34, 41, 34, 41, 41, 34, 153, 34, 34, 34, 34, 34, 34,  
46, 34, 38, 46, 46, 41, 41, 34, 98, 34, 34, 34, 38, 34, 98, 34, 102, 38, 105, 98,  
38, 38, 38, 102, 98, 110, 98, 226, 226, 238, 238, 238, 190, 187, 187, 187, 183, 187,  
179, 187,  
59, 179, 187, 123, 183, 190, 235, 238, 238, 238, 158, 238, 230, 102, 102, 110, 230,  
238, 17, 187,  
27, 179, 51, 51, 51, 136, 56, 131, 136, 216, 131, 221, 61, 211, 221, 61, 219, 61, 61,  
51,  
61, 61, 51, 56, 51, 51, 51, 59, 187, 187, 177, 17, 17, 17, 17, 22, 22, 17, 97, 17,  
0, 8, 8, 8, 128, 136, 0, 136, 8, 8, 136, 136, 136, 136, 56, 131, 131, 51, 51, 51,  
51, 187, 187, 177, 177, 17, 97, 102, 102, 102, 102, 102, 102, 102, 102, 111, 111,  
102, 111, 255,  
246, 255, 111, 111, 111, 255, 255, 111, 111, 255, 255, 255, 255, 255, 246, 255, 246,  
255, 111, 111,  
255, 246, 255, 255, 255, 255, 34, 242, 242, 255, 47, 47, 34, 47, 47, 47, 242, 34, 242,  
242,  
242, 34, 34, 242, 34, 47, 34, 34, 34, 242, 34, 34, 34, 34, 34, 146, 34, 34, 34,  
34, 146, 34, 41, 41, 34, 34, 41, 34, 146, 41, 34, 41, 34, 34, 41, 146, 41, 34,  
41, 34, 34, 146, 34, 153, 153, 41, 153, 153, 34, 34, 153, 146, 153, 146, 41, 41, 41,  
153,

41, 153, 41, 153, 41, 41, 153, 153, 41, 41, 153, 146, 146, 153, 146, 153, 41, 153,  
153, 146,  
146, 153, 146, 146, 153, 153, 41, 41, 41, 153, 146, 146, 153, 153, 153, 153, 41, 41,  
153, 153,  
153, 153, 153, 146, 153, 153, 153, 153, 153, 41, 41, 153, 41, 41, 146, 153, 41, 41,  
34, 41,  
34, 41, 34, 41, 153, 34, 146, 146, 34, 34, 34, 34, 34, 41, 34, 146, 146, 34, 34,  
41, 34, 34, 41, 41, 34, 226, 34, 34, 34, 98, 38, 34, 98, 34, 98, 34, 34, 38, 34,  
34, 98, 98, 34, 102, 34, 110, 238, 238, 238, 238, 235, 235, 235, 235, 123, 187, 187,  
187, 187,  
187, 183, 187, 190, 187, 235, 238, 238, 238, 158, 238, 38, 102, 102, 110, 110, 238,  
17, 27, 187,  
187, 51, 179, 51, 131, 131, 131, 136, 51, 61, 51, 51, 211, 183, 59, 179, 115, 55, 51,  
61,  
51, 211, 51, 51, 51, 59, 187, 187, 177, 177, 17, 17, 17, 97, 22, 17, 97, 102, 22, 97,  
136, 128, 128, 128, 136, 8, 136, 8, 136, 128, 128, 136, 136, 136, 136, 56, 56, 131,  
51, 51,  
59, 59, 59, 187, 177, 17, 17, 22, 102, 102, 102, 102, 102, 102, 111, 246, 246, 255,  
246, 102,  
111, 111, 246, 255, 255, 255, 255, 255, 111, 255, 255, 255, 255, 255, 255, 255,  
111, 255, 255,  
246, 255, 255, 255, 255, 255, 255, 255, 47, 34, 242, 242, 242, 242, 34, 34, 34, 242,  
34, 34,  
34, 242, 34, 34, 34, 242, 34, 242, 34, 34, 34, 34, 34, 34, 34, 34, 34, 34, 146, 41,  
34, 34, 41, 34, 34, 41, 41, 34, 146, 34, 146, 41, 34, 41, 146, 153, 34, 41, 146, 153,  
146, 153, 153, 41, 153, 41, 34, 153, 34, 41, 153, 153, 34, 153, 41, 41, 146, 153, 146,  
146,  
153, 41, 153, 41, 153, 146, 146, 146, 153, 146, 146, 153, 153, 146, 153, 153, 153,  
146, 146, 153,  
153, 146, 153, 153, 146, 153, 153, 146, 153, 146, 153, 153, 146, 146, 146, 146, 153,  
153, 41, 41,  
41, 146, 146, 153, 153, 41, 41, 41, 41, 153, 146, 146, 153, 146, 153, 41, 153, 146,  
153, 146,



153, 146, 153, 34, 34, 146, 41, 34, 41, 41, 41, 34, 146, 146, 34, 146, 34, 105, 34, 34,  
233, 46, 146, 46, 34, 233, 146, 34, 34, 34, 34, 34, 34, 102, 38, 98, 98, 34, 38,  
38, 34, 46, 110, 38, 238, 226, 226, 238, 238, 238, 190, 190, 190, 187, 187, 183, 187,  
183, 187,  
183, 187, 235, 235, 238, 238, 238, 238, 158, 226, 230, 230, 102, 230, 238, 238, 225,  
27, 27, 187,  
179, 179, 51, 51, 56, 56, 136, 56, 216, 51, 211, 211, 179, 211, 61, 115, 189, 179, 59,  
59,  
51, 179, 179, 59, 187, 187, 187, 17, 17, 225, 30, 22, 97, 22, 97, 102, 17, 17, 17, 17,  
128, 136, 136, 8, 8, 128, 128, 136, 0, 136, 136, 136, 136, 136, 136, 131, 131, 51,  
131, 51,  
51, 59, 187, 187, 187, 177, 17, 17, 22, 102, 102, 102, 102, 111, 246, 111, 111, 102,  
111, 255,  
246, 246, 255, 246, 255, 255, 255, 255, 255, 255, 255, 255, 255, 255, 255, 255, 255,  
255, 111, 246,  
255, 255, 246, 255, 255, 242, 242, 242, 242, 255, 47, 34, 47, 34, 242, 242, 242, 47,  
47, 34,  
34, 34, 242, 242, 242, 34, 34, 34, 34, 34, 34, 34, 34, 34, 34, 41, 34, 34, 34, 34,  
41, 34, 34, 34, 41, 34, 34, 146, 34, 146, 41, 34, 153, 34, 41, 34, 153, 146, 34, 34,  
41, 34, 41, 146, 146, 146, 153, 34, 153, 146, 41, 41, 153, 41, 146, 146, 153, 146,  
153, 41,  
153, 153, 41, 146, 146, 153, 153, 153, 146, 153, 153, 146, 146, 153, 146, 146, 146,  
153, 153, 153,  
41, 153, 153, 146, 153, 153, 41, 153, 146, 153, 153, 41, 153, 153, 41, 153, 146, 146,  
153, 153,  
153, 41, 153, 153, 41, 153, 153, 153, 153, 41, 41, 41, 146, 153, 34, 146, 34, 153, 34,  
153,  
34, 146, 34, 146, 146, 41, 34, 41, 34, 146, 34, 146, 34, 41, 34, 34, 41, 150, 34, 34,  
150, 41, 98, 41, 34, 150, 34, 34, 34, 34, 34, 98, 34, 98, 34, 41, 38, 150, 38, 34,  
98, 102, 98, 34, 226, 98, 46, 238, 238, 238, 238, 235, 187, 187, 190, 190, 187, 190,  
187, 190,  
187, 235, 238, 238, 238, 238, 158, 158, 226, 238, 38, 102, 102, 110, 238, 225, 27,  
187, 187, 179,

51, 51, 56, 56, 56, 131, 131, 131, 61, 61, 61, 189, 115, 123, 123, 59, 183, 183, 183,  
55,  
187, 187, 187, 187, 187, 17, 17, 17, 225, 17, 97, 97, 22, 97, 102, 17, 102, 22, 17, 17,  
136, 136, 136, 136, 136, 136, 8, 136, 136, 128, 136, 136, 136, 136, 136, 136, 136,  
136, 51, 51,  
51, 51, 59, 59, 187, 187, 177, 17, 17, 22, 22, 102, 102, 111, 111, 246, 255, 255, 246,  
102,  
111, 111, 102, 255, 255, 255, 255, 255, 255, 255, 255, 255, 255, 255, 255, 255, 255,  
255, 255, 255,  
255, 255, 255, 255, 255, 255, 47, 242, 255, 34, 242, 242, 242, 47, 34, 34, 34, 34, 34,  
47,  
47, 34, 34, 34, 34, 34, 34, 34, 47, 34, 34, 34, 34, 34, 41, 34, 34, 146, 34, 146,  
34, 41, 41, 41, 34, 41, 34, 34, 146, 41, 34, 146, 34, 153, 146, 146, 34, 41, 153, 153,  
146, 153, 146, 41, 41, 41, 41, 153, 146, 153, 153, 146, 153, 146, 153, 153, 41, 41,  
41, 153,  
41, 41, 146, 153, 153, 146, 146, 146, 153, 146, 146, 153, 153, 153, 153, 153, 153,  
153, 146, 153,  
153, 41, 146, 153, 153, 41, 153, 41, 153, 146, 146, 153, 41, 41, 153, 41, 41, 153,  
153, 41,  
41, 153, 41, 41, 153, 41, 41, 41, 41, 153, 153, 153, 41, 41, 153, 153, 153, 34, 153,  
34,  
153, 41, 153, 41, 41, 34, 153, 34, 146, 34, 146, 41, 41, 34, 146, 41, 34, 41, 34, 34,  
41, 38, 146, 34, 34, 41, 34, 34, 34, 34, 34, 98, 34, 98, 102, 41, 98, 34, 38,  
34, 34, 102, 102, 46, 46, 238, 46, 238, 238, 235, 238, 238, 126, 187, 123, 190, 187,  
126, 190,  
238, 238, 238, 238, 238, 34, 238, 226, 102, 38, 230, 102, 238, 238, 225, 27, 187,  
187, 179, 59,  
51, 51, 51, 56, 131, 136, 56, 141, 51, 211, 59, 59, 59, 59, 187, 119, 187, 187, 187,  
187,  
187, 123, 177, 190, 30, 17, 225, 238, 30, 110, 22, 22, 97, 22, 17, 102, 17, 17, 17, 17,  
131, 136, 136, 136, 136, 136, 136, 136, 128, 136, 136, 8, 136, 136, 136, 131, 131,  
51, 131, 131,

51, 51, 59, 179, 187, 187, 187, 177, 17, 17, 97, 102, 102, 102, 111, 111, 102, 102,  
111, 255,  
255, 111, 255, 255, 246, 255, 255, 255, 255, 255, 255, 255, 255, 255, 255, 255, 255,  
255, 255, 255,  
255, 255, 255, 255, 255, 255, 242, 255, 34, 255, 34, 47, 34, 34, 47, 47, 47, 47, 34,  
34,  
34, 34, 34, 34, 34, 34, 242, 34, 34, 34, 34, 34, 34, 34, 34, 34, 34, 34, 146, 34,  
146, 34, 34, 34, 41, 34, 146, 146, 41, 34, 146, 41, 146, 34, 34, 41, 153, 146, 34, 146,  
41, 41, 41, 146, 146, 153, 146, 146, 153, 41, 41, 41, 41, 41, 146, 153, 153, 153, 153,  
41,  
146, 153, 153, 146, 146, 153, 153, 153, 146, 153, 41, 146, 146, 146, 153, 153, 146,  
146, 153, 153,  
41, 153, 153, 146, 153, 153, 153, 153, 41, 153, 153, 153, 153, 153, 153, 153, 153,  
41, 41, 153,  
153, 153, 153, 153, 41, 153, 153, 153, 153, 41, 41, 41, 153, 146, 146, 146, 146, 153,  
41, 153,  
41, 146, 34, 146, 34, 146, 34, 146, 41, 41, 41, 34, 34, 146, 41, 34, 146, 34, 34, 146,  
34, 41, 105, 34, 34, 38, 146, 34, 34, 34, 34, 34, 34, 34, 34, 41, 102, 146, 38, 34,  
102, 98, 34, 98, 230, 238, 46, 238, 238, 238, 238, 190, 187, 235, 238, 190, 235, 126,  
190, 235,  
238, 238, 238, 233, 233, 238, 226, 110, 102, 230, 102, 110, 238, 225, 27, 177, 187,  
187, 59, 51,  
51, 51, 136, 131, 56, 51, 131, 51, 211, 51, 61, 115, 123, 123, 122, 42, 74, 231, 235,  
225,  
238, 17, 238, 225, 238, 238, 238, 17, 97, 22, 97, 97, 102, 97, 102, 17, 17, 17, 17, 17,  
56, 56, 56, 136, 136, 136, 136, 136, 136, 136, 136, 136, 136, 136, 136, 136, 136,  
136, 56, 51,  
51, 51, 51, 59, 59, 187, 187, 177, 177, 17, 17, 97, 102, 102, 102, 111, 255, 255, 255,  
111,  
111, 246, 246, 246, 255, 255, 255, 255, 255, 255, 255, 255, 255, 255, 255, 255, 255,  
255, 255, 255,  
255, 255, 255, 255, 255, 47, 255, 47, 255, 242, 242, 242, 47, 47, 34, 34, 34, 34, 47,  
34,

242, 34, 242, 34, 242, 34, 34, 34, 34, 34, 34, 34, 34, 34, 34, 146, 34, 146, 34, 34, 146,  
34, 41, 41, 41, 34, 146, 41, 41, 34, 146, 41, 34, 41, 153, 153, 146, 34, 41, 153, 41,  
146, 146, 146, 153, 41, 34, 41, 41, 41, 146, 146, 153, 146, 153, 41, 41, 41, 41, 41,  
153,  
153, 146, 146, 153, 153, 146, 146, 146, 153, 153, 153, 153, 153, 153, 146, 146, 153,  
153, 153, 41,  
153, 146, 153, 153, 153, 41, 41, 153, 153, 41, 153, 153, 41, 153, 41, 153, 41, 153,  
153, 41,  
41, 41, 41, 41, 153, 41, 41, 41, 41, 146, 146, 153, 41, 41, 41, 41, 146, 153, 146, 34,  
146, 41, 153, 41, 153, 41, 153, 34, 146, 34, 146, 153, 41, 41, 34, 146, 34, 34, 34, 34,  
34, 34, 150, 146, 34, 146, 34, 34, 34, 34, 38, 38, 34, 98, 98, 38, 146, 38, 34, 98,  
34, 38, 226, 46, 46, 46, 238, 238, 238, 238, 235, 235, 231, 190, 187, 235, 126, 235,  
238, 238,  
238, 238, 233, 238, 46, 102, 46, 98, 98, 102, 238, 238, 238, 17, 177, 187, 187, 51,  
51, 51,  
51, 211, 51, 56, 136, 136, 61, 211, 51, 51, 123, 59, 187, 186, 68, 68, 68, 166, 231,  
238,  
126, 238, 238, 238, 238, 238, 238, 102, 230, 97, 102, 102, 17, 22, 17, 17, 17, 17,  
177,  
51, 51, 131, 56, 56, 136, 131, 136, 136, 136, 136, 136, 136, 136, 136, 136, 56, 131,  
131, 131,  
131, 51, 51, 51, 179, 187, 187, 187, 27, 17, 17, 22, 22, 102, 102, 102, 111, 255, 111,  
246,  
255, 111, 255, 255, 255, 111, 255, 111, 255, 255, 255, 255, 255, 255, 255, 255,  
255, 255, 255,  
255, 255, 255, 255, 255, 242, 242, 242, 242, 47, 47, 34, 242, 34, 242, 242, 242, 242,  
34, 242,  
34, 34, 34, 34, 34, 34, 34, 34, 34, 34, 34, 34, 41, 34, 34, 34, 34, 146, 146, 34,  
41, 34, 34, 34, 41, 34, 146, 34, 146, 41, 146, 153, 34, 34, 34, 41, 153, 146, 34, 146,  
41, 153, 41, 34, 153, 153, 146, 153, 146, 153, 153, 146, 153, 153, 153, 153, 146,  
153, 146, 146,  
146, 153, 41, 146, 146, 153, 153, 153, 146, 146, 153, 146, 153, 153, 153, 153, 153,  
41, 153, 153,

41, 153, 146, 153, 41, 153, 153, 41, 41, 153, 41, 41, 153, 41, 153, 41, 153, 41, 153, 41, 153,  
153,  
153, 153, 153, 153, 153, 153, 153, 153, 153, 146, 153, 153, 146, 153, 153, 153, 146, 153,  
34, 153, 153,  
41, 146, 34, 146, 34, 34, 34, 153, 41, 41, 34, 34, 146, 34, 146, 34, 41, 41, 34, 34,  
34, 34, 41, 34, 34, 34, 34, 34, 34, 41, 34, 34, 34, 34, 34, 98, 98, 34, 34,  
226, 98, 46, 226, 226, 226, 226, 238, 238, 238, 238, 238, 126, 235, 238, 238, 235,  
238, 238, 238,  
158, 34, 46, 38, 230, 38, 226, 110, 110, 230, 238, 238, 27, 187, 187, 187, 51, 179,  
51, 51,  
51, 61, 61, 211, 51, 61, 51, 51, 211, 51, 59, 183, 183, 164, 68, 196, 68, 68, 230, 238,  
110, 230, 238, 238, 238, 230, 238, 97, 102, 102, 17, 17, 97, 97, 17, 17, 17, 17, 27,  
27,  
179, 179, 51, 51, 131, 51, 136, 56, 136, 136, 136, 136, 136, 136, 136, 56, 131, 131,  
131, 56,  
51, 51, 51, 51, 187, 59, 187, 187, 177, 177, 17, 17, 97, 97, 102, 102, 102, 111, 255,  
255,  
255, 255, 111, 111, 255, 255, 255, 255, 255, 255, 255, 255, 255, 255, 255, 255, 255,  
255, 255, 255,  
255, 255, 255, 255, 242, 255, 47, 255, 47, 255, 34, 47, 47, 34, 34, 34, 34, 34, 34, 34, 34,  
34, 34, 34, 34, 34, 34, 34, 34, 34, 34, 34, 34, 34, 34, 34, 146, 34, 34, 34, 41,  
34, 146, 146, 41, 34, 146, 41, 41, 41, 34, 41, 34, 153, 153, 153, 146, 34, 153, 153,  
41,  
146, 34, 153, 153, 34, 146, 153, 146, 153, 41, 41, 153, 41, 41, 34, 146, 153, 146,  
153, 153,  
153, 153, 153, 153, 153, 146, 153, 41, 153, 153, 146, 153, 146, 146, 146, 153, 41,  
153, 41, 153,  
153, 41, 153, 153, 153, 146, 153, 153, 153, 153, 153, 153, 153, 153, 41, 153, 153,  
153, 41, 41,  
41, 41, 41, 41, 41, 146, 146, 146, 153, 41, 41, 41, 146, 146, 146, 153, 41, 153, 41,  
41,  
153, 41, 153, 41, 153, 153, 146, 34, 146, 146, 153, 153, 41, 146, 41, 41, 34, 34, 34,  
146,

146, 34, 34, 34, 41, 34, 34, 34, 34, 34, 226, 98, 34, 34, 38, 34, 34, 146, 98, 98,  
38, 34, 233, 110, 110, 238, 238, 238, 238, 238, 238, 190, 235, 238, 231, 238, 238,  
238, 233, 238,  
238, 238, 230, 102, 38, 102, 102, 102, 102, 238, 238, 17, 190, 177, 187, 179, 179,  
51, 51, 51,  
51, 51, 211, 56, 221, 51, 211, 51, 59, 123, 183, 187, 238, 68, 68, 68, 68, 68, 78, 106,  
102, 230, 102, 110, 110, 110, 102, 230, 102, 102, 102, 97, 17, 17, 17, 17, 17, 27,  
177, 187,  
187, 187, 179, 51, 51, 51, 51, 56, 51, 56, 56, 56, 136, 56, 56, 131, 136, 136, 56, 131,  
56, 51, 51, 51, 51, 179, 187, 187, 187, 27, 177, 17, 17, 22, 97, 102, 102, 102, 111,  
111,  
255, 255, 255, 255, 246, 255, 255, 255, 255, 255, 255, 255, 255, 255, 255, 255, 255,  
255, 255, 255,  
255, 242, 255, 242, 255, 47, 255, 47, 242, 34, 255, 242, 34, 242, 47, 47, 34, 47, 47,  
34,  
242, 47, 34, 34, 34, 34, 34, 34, 34, 34, 34, 41, 34, 41, 34, 34, 146, 41, 41, 34,  
34, 34, 41, 34, 146, 41, 34, 146, 34, 153, 34, 146, 34, 34, 34, 41, 153, 34, 41, 146,  
153, 153, 41, 41, 153, 41, 41, 41, 41, 153, 146, 146, 153, 153, 153, 153, 146, 153,  
153, 146,  
153, 41, 41, 146, 146, 153, 153, 153, 146, 153, 153, 153, 153, 153, 153, 153, 153,  
153, 153, 41,  
153, 153, 146, 146, 153, 153, 153, 153, 41, 153, 41, 153, 41, 153, 153, 153, 41, 153,  
153, 153,  
153, 153, 153, 153, 146, 153, 153, 153, 153, 153, 153, 153, 41, 153, 41, 41, 146,  
146, 146, 146,  
41, 146, 41, 146, 34, 34, 41, 153, 41, 41, 34, 34, 34, 34, 146, 34, 146, 34, 146, 34,  
34, 146, 146, 146, 34, 34, 41, 34, 34, 34, 146, 34, 34, 34, 41, 98, 38, 34, 34, 38,  
98, 238, 46, 105, 226, 238, 46, 238, 238, 238, 235, 238, 238, 238, 238, 238, 238,  
233, 238, 46,  
41, 98, 38, 38, 102, 98, 102, 110, 110, 238, 225, 235, 187, 187, 187, 59, 59, 59, 51,  
51,  
61, 61, 51, 211, 51, 211, 51, 51, 59, 59, 187, 23, 234, 68, 68, 68, 68, 68, 146, 226,  
98, 102, 102, 102, 102, 230, 230, 97, 22, 97, 17, 17, 97, 17, 17, 17, 27, 177, 27, 177,



255, 255, 47, 47, 242, 255, 47, 47, 47, 34, 242, 242, 47, 34, 34, 242, 34, 34, 34, 34,  
34, 242, 34, 34, 34, 34, 34, 34, 34, 34, 34, 34, 146, 34, 146, 146, 41, 41, 34, 34,  
146, 41, 41, 41, 34, 153, 41, 34, 41, 153, 41, 146, 34, 34, 34, 41, 153, 34, 153, 146,  
146, 146, 153, 41, 41, 146, 153, 146, 146, 146, 153, 153, 41, 153, 146, 153, 41, 153,  
153, 146,  
146, 153, 146, 153, 41, 153, 153, 153, 41, 146, 146, 153, 146, 153, 153, 153, 153,  
153, 41, 153,  
153, 153, 153, 153, 153, 153, 153, 153, 153, 153, 153, 153, 153, 153, 153, 146, 153,  
153, 153, 153,  
146, 153, 153, 146, 153, 153, 153, 153, 153, 153, 146, 153, 146, 153, 146, 146, 153,  
41, 34, 146,  
153, 146, 153, 146, 34, 34, 41, 153, 41, 41, 34, 34, 34, 34, 41, 34, 34, 41, 41, 34,  
153, 41, 41, 41, 41, 41, 34, 34, 34, 41, 34, 34, 34, 34, 34, 38, 34, 34, 150, 38,  
110, 238, 46, 34, 238, 238, 238, 233, 238, 238, 238, 158, 238, 233, 233, 238, 46, 34,  
226, 230,  
34, 98, 98, 102, 102, 102, 230, 238, 238, 27, 190, 187, 187, 187, 59, 59, 51, 179, 51,  
51,  
51, 51, 51, 51, 51, 51, 187, 187, 187, 126, 30, 126, 234, 148, 73, 73, 68, 148, 150,  
226,  
34, 38, 46, 46, 102, 238, 97, 225, 22, 17, 97, 17, 17, 17, 17, 187, 27, 177, 177, 187,  
30, 17, 17, 17, 27, 27, 187, 187, 187, 179, 51, 51, 51, 51, 51, 56, 51, 131, 131, 131,  
131, 131, 131, 51, 51, 59, 51, 187, 187, 187, 27, 17, 17, 17, 22, 17, 102, 22, 102,  
102,  
102, 246, 255, 255, 255, 255, 255, 255, 255, 255, 255, 255, 255, 255, 255, 242, 255, 34,  
242, 242, 255,  
47, 34, 255, 242, 255, 34, 255, 242, 242, 255, 47, 34, 242, 242, 242, 34, 34, 34, 47,  
34,  
34, 34, 34, 34, 34, 34, 34, 34, 34, 34, 146, 34, 34, 34, 34, 34, 34, 34, 41, 34,  
34, 146, 146, 34, 146, 34, 146, 153, 34, 34, 146, 41, 153, 153, 153, 146, 41, 153, 34,  
153,  
146, 153, 41, 153, 153, 41, 153, 41, 153, 153, 41, 41, 146, 146, 153, 153, 153, 41,  
153, 153,



153, 153, 153, 153, 153, 41, 146, 153, 153, 153, 153, 153, 153, 153, 153, 153, 153, 153, 153, 153, 153, 153, 146,  
153, 153, 146,  
153, 153, 41, 153, 41, 153, 153, 153, 153, 153, 153, 146, 153, 146, 153, 153, 153, 153,  
153, 146, 146,  
153, 153, 41, 153, 146, 153, 41, 41, 153, 41, 153, 146, 153, 41, 41, 153, 146, 153,  
153, 41,  
34, 153, 34, 153, 153, 153, 146, 34, 146, 146, 153, 153, 153, 41, 146, 146, 146, 34,  
34, 146,  
34, 34, 146, 34, 34, 34, 34, 34, 34, 34, 34, 34, 34, 34, 34, 34, 41, 98, 46, 98, 98,  
34, 146, 226, 238, 46, 158, 46, 238, 238, 158, 238, 238, 233, 238, 238, 158, 226,  
226, 38, 34,  
230, 102, 46, 102, 102, 230, 238, 238, 225, 17, 27, 187, 187, 179, 179, 51, 179, 51,  
51, 51,  
51, 51, 51, 51, 59, 59, 187, 187, 190, 225, 238, 230, 34, 148, 148, 148, 153, 73, 146,  
38,  
166, 102, 102, 175, 110, 110, 230, 30, 17, 17, 17, 17, 17, 17, 27, 17, 177, 187, 187,  
177,  
238, 30, 17, 17, 17, 17, 17, 187, 187, 187, 187, 187, 51, 51, 51, 51, 51, 51, 51, 51,  
51, 51, 51, 51, 51, 51, 59, 59, 187, 187, 177, 177, 17, 17, 17, 97, 17, 102, 102, 102,  
102, 111, 111, 255, 255, 255, 255, 255, 255, 255, 255, 255, 255, 255, 255, 255, 255, 47, 255,  
47, 47, 34,  
242, 255, 242, 255, 47, 255, 47, 47, 255, 34, 242, 242, 34, 34, 34, 242, 242, 242, 34,  
47,  
34, 34, 34, 34, 34, 34, 34, 34, 34, 34, 34, 41, 41, 34, 146, 41, 41, 41, 41, 34, 146,  
146, 34, 41, 41, 41, 146, 41, 34, 153, 153, 41, 146, 34, 34, 146, 41, 146, 34, 153, 34,  
153, 41, 146, 146, 146, 153, 41, 153, 41, 41, 153, 153, 153, 153, 153, 41, 41, 153,  
146, 153,  
153, 146, 153, 41, 153, 153, 153, 153, 153, 41, 153, 153, 41, 153, 41, 146, 153, 41,  
153, 153,  
153, 153, 153, 153, 153, 153, 41, 146, 153, 41, 153, 153, 153, 153, 146, 153, 153,  
41, 153, 153,  
153, 153, 153, 146, 153, 153, 153, 153, 41, 153, 146, 153, 153, 153, 153, 41, 41,  
146, 153, 153,

153, 41, 153, 41, 34, 146, 41, 153, 41, 153, 34, 34, 34, 146, 34, 41, 41, 153, 41, 41,  
41, 146, 34, 34, 146, 41, 34, 34, 41, 98, 34, 150, 34, 34, 38, 38, 150, 41, 34, 46,  
46, 238, 46, 226, 238, 238, 233, 238, 158, 238, 158, 158, 158, 34, 158, 233, 38, 38,  
98, 230,  
34, 98, 226, 102, 230, 238, 238, 225, 177, 187, 187, 187, 187, 187, 59, 59, 51, 179,  
51, 51,  
51, 179, 187, 179, 187, 187, 187, 190, 235, 238, 238, 46, 46, 233, 68, 73, 68, 146,  
38, 98,  
38, 38, 102, 254, 110, 230, 225, 97, 97, 22, 17, 17, 17, 27, 177, 187, 27, 177, 177,  
27,  
102, 102, 97, 102, 22, 17, 17, 17, 17, 27, 187, 187, 187, 187, 179, 179, 51, 51, 51,  
51,  
51, 51, 51, 51, 51, 59, 179, 179, 187, 187, 187, 27, 17, 17, 17, 22, 22, 17, 22, 22,  
102, 102, 102, 255, 255, 255, 255, 255, 255, 255, 255, 255, 255, 255, 255, 255, 47,  
242, 255, 255,  
255, 34, 47, 34, 242, 47, 242, 242, 34, 242, 47, 47, 242, 242, 242, 34, 34, 34, 34, 34,  
34, 34, 34, 34, 34, 34, 34, 34, 146, 34, 34, 34, 34, 34, 34, 34, 34, 34, 34, 41,  
34, 153, 34, 146, 34, 41, 34, 146, 34, 34, 146, 41, 153, 153, 41, 146, 153, 153, 41,  
153,  
41, 146, 153, 41, 41, 146, 153, 41, 153, 153, 41, 41, 41, 41, 153, 153, 153, 146, 153,  
146,  
146, 153, 153, 153, 153, 153, 153, 153, 153, 153, 153, 153, 153, 153, 153, 153, 153, 153,  
153, 153, 153,  
153, 153, 153, 153, 153, 153, 153, 153, 153, 153, 153, 153, 153, 41, 153, 153, 153, 153,  
153, 153, 153,  
41, 41, 146, 153, 153, 41, 146, 153, 153, 146, 153, 153, 41, 146, 146, 153, 153, 41,  
41, 41,  
41, 146, 146, 146, 153, 41, 146, 146, 146, 34, 153, 153, 153, 41, 153, 146, 34, 34,  
146, 146,  
34, 34, 146, 146, 34, 34, 34, 34, 34, 146, 150, 41, 34, 46, 153, 105, 98, 38, 110, 34,  
226, 34, 226, 46, 46, 46, 238, 46, 238, 233, 238, 233, 238, 238, 233, 46, 34, 98, 38,  
38,

102, 46, 110, 102, 238, 238, 238, 17, 235, 235, 235, 187, 179, 51, 179, 179, 179, 59,  
59, 187,  
187, 59, 179, 187, 187, 27, 238, 238, 238, 238, 226, 234, 98, 158, 41, 148, 153, 146,  
98, 42,  
98, 226, 230, 102, 230, 238, 17, 17, 17, 17, 17, 17, 17, 17, 17, 17, 17, 177, 27, 27, 17,  
110, 97, 102, 22, 17, 97, 17, 17, 17, 17, 17, 27, 27, 187, 187, 187, 187, 179, 179, 51,  
51, 51, 51, 51, 59, 51, 59, 59, 59, 187, 187, 177, 187, 17, 17, 17, 97, 102, 22, 102,  
102, 102, 102, 111, 255, 255, 255, 255, 255, 255, 255, 255, 255, 255, 255, 47, 47, 34,  
255, 47, 34,  
47, 255, 255, 255, 47, 242, 47, 47, 255, 47, 242, 34, 47, 34, 34, 47, 34, 34, 242, 34,  
34, 34, 34, 34, 34, 34, 34, 34, 146, 34, 146, 34, 41, 34, 41, 41, 34, 146, 146, 153, 34,  
153, 34, 146, 146, 153, 41, 153, 41, 153, 153, 153, 153, 41, 41, 146, 153, 41, 41,  
153, 41,  
153, 153, 153, 153, 153, 153, 146, 153, 41, 41, 153, 153, 153, 153, 41, 153, 153,  
153, 153, 153,  
153, 153, 153, 153, 153, 153, 153, 153, 153, 153, 153, 153, 153, 153, 153, 153, 153,  
153, 153, 153,  
153, 153, 153, 153, 153, 153, 153, 153, 153, 153, 153, 153, 153, 153, 153, 153, 153,  
153, 153, 153,  
153, 153, 153, 153, 153, 153, 153, 153, 146, 153, 146, 146, 153, 153, 153, 153, 41,  
153, 146, 146,  
146, 153, 41, 153, 41, 153, 41, 153, 153, 153, 146, 146, 153, 153, 34, 41, 41, 146,  
41, 41,  
146, 153, 41, 34, 146, 146, 41, 41, 41, 98, 34, 34, 34, 41, 98, 34, 34, 226, 34, 46,  
158, 46, 46, 238, 226, 233, 46, 233, 233, 238, 34, 238, 34, 146, 38, 98, 102, 38, 98,  
98,  
102, 102, 102, 238, 238, 238, 17, 17, 187, 187, 187, 187, 187, 187, 59, 59, 187, 187,  
179, 187,  
59, 187, 187, 187, 235, 238, 190, 238, 238, 98, 46, 34, 46, 34, 226, 226, 38, 102, 38,  
226,  
46, 102, 102, 238, 238, 225, 97, 97, 17, 17, 17, 17, 27, 27, 177, 177, 27, 17, 177,  
187,

102, 102, 102, 102, 102, 102, 102, 102, 22, 17, 17, 17, 17, 17, 17, 187, 187, 187,  
187, 187,  
179, 59, 51, 59, 51, 187, 51, 187, 187, 59, 187, 187, 17, 177, 17, 17, 22, 22, 97, 97,  
102, 102, 102, 102, 255, 255, 255, 255, 255, 255, 255, 255, 255, 255, 255, 255, 255,  
34, 242, 255,  
242, 34, 34, 34, 242, 47, 34, 242, 34, 242, 47, 47, 34, 47, 47, 34, 47, 34, 34, 47,  
34, 34, 34, 34, 34, 34, 34, 34, 34, 34, 146, 34, 41, 34, 246, 111, 102, 111, 102, 98,  
230, 111, 34, 47, 102, 246, 102, 246, 102, 102, 102, 102, 246, 34, 38, 102, 38, 38,  
102, 38,  
102, 102, 102, 38, 98, 105, 153, 153, 153, 153, 41, 153, 41, 153, 150, 102, 102, 38,  
38, 98,  
98, 102, 38, 98, 102, 38, 153, 38, 38, 98, 102, 38, 98, 98, 98, 102, 38, 41, 159, 102,  
38, 98, 102, 38, 38, 98, 98, 98, 41, 153, 153, 150, 246, 38, 98, 98, 102, 38, 34, 153,  
153, 153, 153, 47, 102, 38, 98, 41, 153, 153, 153, 146, 246, 98, 102, 41, 153, 146,  
153, 153,  
153, 41, 153, 41, 150, 102, 246, 102, 102, 102, 98, 102, 102, 102, 98, 98, 146, 41,  
146, 246,  
230, 110, 110, 102, 230, 230, 238, 238, 98, 146, 34, 34, 34, 38, 146, 98, 98, 150, 46,  
34,  
226, 226, 226, 34, 46, 238, 226, 46, 46, 34, 226, 146, 102, 98, 98, 38, 34, 98, 102,  
102,  
102, 102, 110, 238, 238, 225, 30, 187, 235, 235, 187, 187, 187, 187, 187, 187, 179,  
187, 187, 187,  
235, 190, 190, 238, 238, 238, 238, 238, 102, 110, 102, 102, 98, 98, 70, 150, 34, 34,  
100, 102,  
102, 102, 110, 230, 238, 225, 17, 17, 17, 17, 17, 17, 17, 17, 27, 17, 177, 17, 17, 17,  
238, 102, 102, 102, 102, 102, 22, 22, 97, 102, 22, 17, 17, 17, 17, 17, 27, 27, 187,  
187,  
187, 187, 187, 179, 187, 59, 187, 179, 179, 187, 187, 177, 187, 27, 17, 17, 17, 17,  
22, 22,  
22, 102, 102, 102, 102, 255, 255, 255, 255, 255, 255, 255, 255, 47, 47, 47, 255,  
47, 242,

47, 255, 255, 255, 47, 242, 255, 34, 242, 47, 34, 242, 242, 242, 34, 47, 34, 34, 34,  
34,  
34, 34, 34, 34, 34, 34, 34, 34, 41, 34, 34, 146, 34, 241, 61, 221, 221, 221, 221, 221,  
221, 221, 18, 45, 221, 221, 221, 221, 221, 221, 221, 221, 221, 210, 45, 221, 221,  
221, 221, 221,  
221, 221, 221, 221, 221, 222, 153, 41, 41, 153, 153, 41, 153, 41, 99, 221, 221, 221,  
221, 221,  
221, 221, 221, 221, 221, 211, 153, 109, 221, 221, 221, 221, 221, 221, 221, 221, 221,  
217, 155, 221,  
221, 221, 221, 221, 221, 221, 221, 221, 190, 153, 153, 45, 221, 221, 221, 221, 221,  
221, 187, 190,  
41, 153, 153, 35, 221, 221, 219, 41, 153, 146, 153, 150, 221, 221, 221, 185, 146,  
153, 146, 153,  
41, 153, 41, 146, 43, 221, 221, 221, 221, 221, 221, 221, 221, 221, 221, 222, 41, 41,  
97, 61,  
221, 221, 221, 221, 221, 221, 221, 221, 190, 146, 34, 34, 34, 41, 98, 34, 158, 105,  
233, 226,  
46, 46, 158, 238, 233, 34, 46, 226, 226, 46, 158, 98, 34, 38, 34, 98, 102, 38, 38, 102,  
102, 238, 238, 238, 238, 30, 187, 225, 187, 187, 187, 187, 187, 187, 187, 187, 187,  
187, 190, 187,  
190, 235, 238, 190, 238, 238, 230, 102, 38, 102, 38, 34, 38, 38, 226, 226, 110, 102,  
110, 102,  
102, 110, 230, 238, 238, 225, 238, 17, 17, 17, 17, 17, 17, 177, 17, 17, 17, 177, 187,  
187,  
238, 230, 22, 102, 102, 102, 102, 102, 22, 97, 102, 97, 97, 17, 17, 17, 17, 17,  
27,  
27, 187, 187, 187, 187, 187, 59, 187, 187, 187, 187, 187, 177, 177, 17, 17, 22, 22,  
97, 102,  
97, 97, 102, 102, 102, 102, 111, 255, 255, 255, 255, 255, 255, 47, 255, 255, 242, 47,  
242, 47,  
242, 34, 34, 34, 242, 47, 34, 47, 47, 34, 47, 34, 34, 34, 242, 34, 34, 242, 47, 34,  
34, 34, 34, 34, 34, 34, 146, 41, 34, 41, 34, 34, 38, 61, 221, 221, 221, 221, 221, 221,



221, 221, 221, 221, 221, 222, 153, 146, 153, 153, 41, 153, 153, 153, 253, 221, 221,  
221, 221, 221,  
221, 221, 221, 221, 221, 211, 153, 109, 221, 221, 221, 221, 221, 221, 221, 221, 221,  
217, 155, 221,  
221, 221, 221, 221, 221, 221, 221, 221, 213, 209, 153, 45, 221, 221, 221, 221, 221,  
221, 221, 221,  
221, 233, 153, 45, 221, 221, 215, 105, 153, 153, 153, 150, 221, 221, 221, 114, 153,  
153, 153, 153,  
41, 153, 153, 146, 35, 221, 221, 221, 221, 221, 221, 221, 221, 221, 221, 222, 146,  
227, 221, 221,  
221, 221, 221, 221, 221, 221, 221, 213, 62, 146, 34, 34, 34, 146, 46, 41, 38, 41, 226,  
34,  
46, 158, 46, 238, 233, 41, 46, 41, 98, 38, 34, 34, 98, 38, 34, 98, 230, 38, 46, 230,  
238, 238, 238, 238, 190, 238, 187, 235, 235, 190, 187, 190, 187, 190, 190, 238, 235,  
235, 238, 238,  
238, 238, 238, 230, 102, 102, 102, 98, 246, 98, 102, 34, 38, 38, 102, 102, 110, 166,  
110, 102,  
230, 230, 238, 238, 238, 30, 30, 17, 17, 30, 17, 17, 17, 17, 27, 27, 187, 187, 187, 51,  
177, 17, 17, 97, 97, 102, 102, 102, 102, 102, 102, 102, 102, 22, 97, 102, 102,  
17, 22,  
17, 17, 17, 17, 17, 27, 27, 187, 187, 187, 187, 27, 187, 177, 27, 17, 17, 22, 17, 102,  
22, 97, 102, 102, 102, 102, 102, 255, 255, 255, 255, 255, 255, 242, 47, 255, 34, 255,  
242, 255,  
242, 34, 34, 34, 34, 242, 47, 34, 242, 242, 47, 34, 34, 47, 34, 34, 242, 34, 34, 34,  
34, 34, 34, 34, 34, 41, 34, 146, 41, 34, 146, 34, 189, 221, 221, 221, 221, 221, 221,  
221,  
221, 221, 18, 109, 221, 221, 221, 221, 221, 221, 221, 221, 221, 190, 109, 221, 221,  
221, 221, 221,  
221, 221, 221, 221, 221, 86, 153, 153, 146, 153, 153, 41, 146, 146, 45, 221, 221,  
221, 221, 221,  
221, 221, 221, 221, 221, 213, 153, 237, 221, 221, 221, 221, 221, 221, 221, 221, 221,  
217, 147, 221,

221, 221, 221, 221, 221, 221, 221, 221, 221, 221, 41, 157, 221, 221, 221, 221, 221,  
221, 221, 221,  
221, 222, 153, 45, 221, 221, 211, 153, 153, 153, 41, 158, 221, 221, 221, 185, 146,  
153, 41, 41,  
153, 41, 41, 41, 35, 221, 221, 221, 221, 221, 221, 221, 221, 221, 221, 221, 222, 146, 125,  
221, 221,  
221, 221, 221, 221, 221, 221, 221, 211, 210, 34, 146, 34, 46, 158, 153, 46, 34, 230,  
150, 98,  
233, 226, 105, 41, 38, 102, 34, 102, 34, 34, 38, 98, 38, 98, 38, 38, 38, 230, 230, 110,  
238, 238, 238, 225, 225, 187, 238, 190, 187, 235, 190, 187, 238, 235, 235, 187, 238,  
238, 238, 238,  
238, 226, 226, 102, 102, 102, 98, 102, 246, 246, 47, 102, 102, 102, 38, 38, 38, 246,  
102, 238,  
110, 238, 238, 238, 238, 225, 225, 238, 97, 17, 22, 17, 17, 17, 187, 187, 187, 59, 51,  
51,  
187, 187, 17, 17, 22, 17, 102, 102, 102, 102, 102, 102, 102, 102, 102, 102, 102, 22,  
102, 97,  
97, 17, 17, 17, 17, 17, 17, 17, 27, 27, 27, 17, 17, 17, 177, 17, 17, 17, 22, 17,  
97, 102, 102, 22, 102, 102, 246, 102, 255, 255, 255, 255, 242, 255, 242, 242, 255,  
34, 255, 34,  
47, 255, 47, 47, 47, 34, 242, 47, 34, 34, 242, 47, 34, 34, 47, 34, 34, 242, 34, 34,  
34, 34, 34, 34, 34, 34, 34, 34, 34, 34, 34, 38, 221, 221, 221, 221, 221, 221, 221, 221,  
221, 221, 178, 45, 221, 221, 221, 221, 221, 221, 221, 221, 221, 221, 86, 157, 221, 221,  
221, 221, 221,  
221, 221, 221, 221, 221, 62, 153, 153, 153, 153, 153, 153, 153, 153, 109, 221, 221,  
221, 221, 221,  
221, 221, 221, 221, 221, 211, 153, 109, 221, 221, 221, 221, 221, 221, 221, 221, 221,  
217, 151, 221,  
221, 221, 221, 221, 221, 221, 221, 221, 221, 221, 185, 157, 221, 221, 221, 221, 221,  
221, 221, 221,  
221, 215, 41, 35, 221, 221, 211, 233, 153, 153, 153, 150, 221, 221, 221, 178, 153,  
153, 153, 153,



41, 153, 153, 153, 35, 221, 221, 221, 221, 221, 221, 221, 221, 221, 221, 221, 222, 158,  
221, 221, 221,  
221, 221, 221, 221, 221, 221, 221, 221, 221, 182, 146, 34, 34, 41, 34, 230, 41, 98, 146,  
105, 46,  
150, 150, 158, 38, 105, 34, 34, 41, 38, 38, 34, 38, 34, 38, 98, 102, 102, 102, 102,  
226,  
238, 238, 238, 238, 190, 238, 187, 235, 238, 190, 235, 238, 187, 235, 238, 238, 238,  
238, 238, 238,  
46, 238, 110, 98, 98, 111, 246, 38, 255, 111, 102, 98, 102, 38, 102, 166, 102, 110,  
110, 102,  
230, 238, 110, 238, 30, 22, 30, 17, 22, 22, 17, 17, 27, 187, 187, 179, 51, 51, 51, 51,  
51, 187, 187, 17, 17, 17, 22, 22, 102, 102, 102, 102, 102, 102, 102, 102, 102, 102,  
102, 102,  
22, 102, 102, 22, 17, 17, 17, 17, 17, 17, 17, 177, 177, 177, 17, 177, 17, 17, 97, 22,  
22, 22, 22, 102, 102, 102, 111, 246, 246, 255, 111, 255, 255, 242, 255, 47, 47, 255,  
34, 255,  
242, 34, 242, 242, 242, 47, 34, 242, 34, 242, 34, 34, 47, 34, 34, 34, 34, 34, 242,  
34, 34, 34, 34, 41, 34, 41, 34, 146, 34, 146, 46, 221, 221, 221, 221, 221, 221, 221,  
221,  
221, 221, 114, 45, 221, 221, 221, 221, 221, 221, 221, 221, 221, 221, 54, 109, 221, 221,  
221, 221, 221,  
221, 221, 221, 221, 221, 214, 153, 153, 41, 146, 153, 41, 153, 153, 253, 221, 221,  
221, 221, 221,  
221, 221, 221, 221, 221, 221, 153, 237, 221, 221, 93, 221, 221, 221, 221, 221, 221,  
217, 147, 221,  
221, 221, 221, 221, 221, 221, 221, 221, 221, 221, 57, 45, 221, 221, 221, 221, 221,  
221, 221, 221,  
221, 221, 233, 45, 221, 221, 215, 41, 153, 153, 153, 158, 221, 221, 221, 121, 146,  
153, 41, 153,  
153, 41, 41, 41, 35, 221, 221, 221, 221, 221, 213, 221, 221, 221, 221, 215, 155, 221,  
221, 221,  
221, 221, 221, 221, 221, 221, 221, 221, 210, 34, 34, 34, 46, 146, 153, 102, 150, 98,  
46, 41,

98, 98, 98, 105, 38, 34, 98, 38, 34, 105, 98, 98, 98, 98, 46, 102, 98, 230, 238, 238,  
238, 238, 238, 235, 238, 190, 238, 190, 190, 190, 190, 235, 238, 238, 238, 238, 238,  
238, 46, 46,  
226, 98, 98, 102, 102, 255, 111, 111, 102, 38, 111, 102, 102, 102, 102, 246, 102,  
102, 230, 238,  
110, 238, 238, 238, 225, 97, 97, 97, 97, 17, 17, 187, 187, 179, 179, 51, 51, 51, 56,  
56,  
51, 51, 59, 187, 177, 17, 17, 97, 22, 102, 102, 102, 102, 102, 102, 102, 102, 102,  
102, 102,  
102, 102, 22, 102, 102, 97, 97, 17, 17, 17, 17, 17, 17, 17, 17, 17, 17, 17, 17, 97,  
22, 22, 97, 102, 102, 102, 102, 102, 111, 111, 255, 255, 255, 255, 47, 242, 242, 47,  
47, 242,  
47, 242, 47, 34, 34, 242, 47, 34, 242, 34, 242, 242, 34, 47, 34, 242, 47, 34, 34, 34,  
34, 34, 34, 34, 34, 34, 34, 34, 34, 34, 146, 34, 33, 221, 221, 221, 221, 123, 183, 59, 123,  
55, 187, 18, 45, 221, 221, 221, 183, 187, 115, 183, 187, 55, 178, 147, 115, 183, 59,  
221, 221,  
221, 221, 183, 187, 115, 178, 153, 153, 153, 153, 153, 153, 146, 153, 253, 221, 221,  
221, 123, 187,  
123, 55, 61, 221, 221, 221, 153, 45, 221, 221, 211, 183, 59, 115, 183, 187, 115, 185,  
155, 221,  
221, 221, 91, 183, 59, 115, 61, 221, 221, 221, 82, 157, 221, 221, 221, 183, 187, 55,  
221, 221,  
221, 221, 217, 227, 221, 221, 211, 41, 153, 153, 153, 38, 221, 221, 221, 185, 153,  
153, 153, 41,  
153, 153, 153, 146, 33, 183, 59, 115, 221, 221, 221, 211, 183, 187, 183, 190, 155,  
221, 221, 221,  
221, 123, 59, 115, 189, 93, 221, 221, 190, 146, 34, 34, 41, 233, 226, 41, 233, 34, 41,  
102,  
150, 150, 146, 38, 34, 34, 34, 105, 98, 38, 34, 38, 38, 102, 98, 98, 238, 46, 46, 238,  
238, 238, 238, 238, 235, 238, 190, 235, 238, 235, 238, 238, 238, 238, 238, 226, 226,  
226, 226, 226,  
110, 46, 246, 255, 255, 111, 246, 246, 246, 102, 102, 102, 102, 102, 102, 102, 110,  
230, 110, 110,

238, 110, 238, 238, 230, 17, 30, 17, 17, 27, 187, 187, 51, 51, 51, 51, 51, 56, 136,  
136,  
131, 51, 51, 51, 187, 187, 17, 17, 17, 17, 97, 102, 102, 102, 102, 102, 102, 102, 102,  
102,  
102, 102, 102, 102, 97, 102, 22, 22, 17, 97, 17, 17, 17, 17, 17, 17, 17, 97, 30, 22,  
97, 97, 102, 102, 102, 102, 102, 255, 246, 246, 255, 255, 255, 255, 242, 255, 47,  
242, 242, 47,  
242, 47, 34, 242, 242, 34, 242, 34, 34, 34, 34, 34, 34, 34, 34, 34, 34, 34, 34, 34, 34,  
34, 34, 34, 41, 34, 34, 146, 41, 34, 34, 146, 33, 221, 221, 221, 86, 242, 47, 34, 242,  
34, 34, 41, 99, 221, 221, 215, 226, 41, 34, 146, 41, 146, 41, 41, 41, 146, 146, 237,  
221,  
221, 215, 146, 41, 41, 153, 153, 153, 146, 153, 153, 153, 153, 153, 109, 221, 221,  
219, 105, 153,  
41, 153, 237, 221, 221, 215, 153, 237, 221, 221, 219, 146, 153, 153, 153, 153, 153,  
153, 155, 221,  
221, 221, 233, 153, 153, 153, 151, 221, 221, 221, 50, 157, 221, 221, 221, 146, 153,  
146, 237, 221,  
221, 221, 217, 149, 221, 221, 221, 153, 153, 153, 153, 158, 221, 221, 221, 178, 153,  
41, 153, 153,  
41, 41, 41, 41, 153, 34, 146, 34, 237, 221, 221, 219, 98, 34, 150, 153, 43, 221, 221,  
221,  
222, 34, 34, 98, 38, 61, 221, 221, 126, 146, 34, 34, 158, 150, 146, 98, 38, 46, 46,  
146,  
105, 105, 98, 34, 34, 98, 34, 38, 34, 105, 98, 98, 98, 38, 102, 238, 46, 238, 238, 226,  
238, 238, 238, 238, 238, 235, 238, 238, 238, 238, 238, 238, 238, 46, 233, 238, 46,  
46, 102, 102,  
98, 98, 255, 255, 111, 246, 111, 111, 111, 111, 102, 102, 102, 102, 102, 230, 230,  
110, 238, 230,  
238, 238, 238, 238, 225, 97, 17, 17, 187, 187, 59, 51, 51, 51, 51, 56, 56, 136, 136,  
136,  
131, 131, 51, 51, 51, 187, 187, 17, 17, 22, 22, 22, 102, 102, 102, 102, 102, 102, 102,  
102,  
102, 102, 102, 102, 102, 102, 102, 97, 102, 22, 22, 22, 17, 97, 17, 22, 17, 22, 97, 97,

22, 22, 22, 22, 22, 102, 102, 102, 111, 111, 246, 255, 255, 255, 255, 47, 242, 242,  
255, 242,  
47, 34, 242, 47, 34, 242, 34, 242, 242, 242, 34, 34, 242, 34, 34, 34, 242, 34, 41, 153,  
34, 34, 34, 34, 34, 146, 34, 34, 41, 34, 34, 43, 221, 221, 221, 18, 34, 146, 146, 146,  
146, 41, 146, 45, 221, 221, 221, 41, 146, 153, 41, 146, 146, 153, 153, 153, 41, 153,  
189, 93,  
221, 219, 153, 153, 153, 146, 153, 41, 153, 153, 146, 153, 153, 153, 45, 221, 221,  
215, 153, 153,  
153, 153, 157, 221, 221, 221, 153, 237, 221, 221, 215, 153, 153, 153, 153, 153, 153,  
153, 147, 221,  
221, 221, 233, 153, 153, 153, 158, 61, 221, 221, 217, 157, 221, 221, 221, 153, 153,  
153, 158, 221,  
221, 221, 222, 45, 221, 221, 219, 41, 153, 153, 153, 158, 221, 221, 221, 121, 153,  
153, 146, 153,  
153, 153, 153, 153, 146, 153, 153, 153, 237, 221, 221, 215, 41, 153, 153, 34, 155,  
221, 221, 221,  
233, 146, 153, 153, 158, 61, 221, 221, 54, 146, 34, 34, 233, 41, 98, 34, 34, 153, 41,  
98,  
34, 34, 34, 98, 34, 34, 98, 105, 38, 38, 38, 38, 46, 226, 226, 226, 226, 238, 46, 238,  
238, 238, 238, 238, 238, 238, 238, 238, 238, 238, 238, 238, 238, 158, 226, 46, 102, 102,  
226, 98, 98,  
255, 38, 255, 111, 246, 255, 246, 246, 102, 102, 102, 102, 102, 102, 230, 110, 110,  
230, 238, 110,  
102, 230, 110, 225, 17, 17, 27, 179, 187, 51, 51, 51, 51, 51, 136, 136, 136, 136, 136,  
128,  
136, 56, 131, 51, 51, 59, 187, 187, 177, 17, 17, 17, 22, 22, 102, 102, 102, 102, 102,  
102,  
102, 102, 102, 102, 102, 102, 102, 102, 102, 97, 102, 97, 102, 22, 22, 97, 102, 17,  
22, 22,  
97, 97, 102, 102, 102, 102, 102, 255, 102, 246, 255, 255, 255, 255, 242, 242, 242,  
255, 34, 47,  
242, 242, 242, 242, 34, 34, 242, 34, 34, 34, 242, 34, 34, 47, 34, 34, 34, 34, 34, 146,  
146, 34, 41, 34, 34, 34, 41, 34, 34, 41, 41, 33, 221, 221, 213, 18, 146, 41, 41, 41,

41, 146, 41, 45, 221, 221, 211, 105, 153, 153, 153, 153, 153, 146, 146, 153, 153, 41,  
237, 221,  
221, 219, 153, 153, 41, 153, 153, 153, 153, 153, 153, 153, 146, 153, 109, 221, 221,  
211, 41, 153,  
153, 153, 237, 221, 221, 221, 153, 45, 221, 221, 219, 153, 153, 153, 153, 153, 153,  
153, 151, 221,  
221, 221, 233, 153, 153, 153, 153, 221, 221, 221, 50, 157, 221, 221, 221, 153, 153,  
153, 153, 221,  
221, 221, 222, 157, 221, 221, 213, 41, 153, 153, 153, 158, 221, 221, 221, 185, 153,  
153, 153, 153,  
153, 41, 146, 153, 153, 153, 41, 146, 237, 221, 221, 219, 41, 41, 41, 153, 147, 221,  
221, 221,  
114, 41, 34, 34, 46, 61, 221, 221, 50, 34, 34, 34, 146, 226, 146, 34, 46, 46, 38, 146,  
34, 34, 34, 34, 34, 34, 34, 34, 38, 34, 98, 98, 102, 98, 46, 46, 46, 238, 238, 238, 238,  
238, 238, 238, 238, 238, 238, 238, 238, 238, 226, 226, 46, 226, 110, 230, 38, 38, 38,  
38, 38,  
38, 255, 255, 255, 111, 246, 102, 102, 102, 102, 102, 102, 102, 102, 110, 102, 102, 110,  
110, 102, 238,  
238, 97, 17, 17, 17, 187, 187, 187, 51, 51, 51, 51, 56, 56, 136, 136, 136, 128, 128, 0,  
131, 131, 131, 131, 51, 51, 59, 187, 187, 177, 17, 17, 97, 97, 102, 102, 102, 102,  
102, 102,  
102, 102, 102, 102, 102, 102, 102, 102, 102, 102, 102, 22, 97, 102, 102, 22, 17, 102,  
102, 22,  
22, 22, 97, 97, 97, 102, 102, 102, 255, 111, 111, 255, 255, 255, 255, 255, 255, 34,  
255, 34,  
47, 47, 47, 34, 242, 242, 47, 47, 47, 34, 34, 47, 34, 34, 34, 34, 34, 34, 41, 41,  
34, 41, 34, 41, 41, 34, 34, 41, 41, 34, 34, 33, 221, 221, 221, 226, 41, 146, 146, 146,  
146, 153, 153, 243, 221, 221, 213, 238, 110, 238, 230, 230, 41, 153, 153, 41, 41,  
146, 29, 221,  
221, 219, 153, 41, 153, 153, 153, 153, 146, 153, 153, 153, 153, 153, 45, 221, 221,  
211, 153, 153,  
153, 153, 157, 221, 221, 221, 153, 237, 221, 221, 211, 238, 46, 46, 158, 46, 153,  
153, 147, 221,

221, 221, 121, 153, 153, 153, 153, 221, 221, 221, 82, 45, 221, 221, 221, 153, 153,  
153, 153, 221,  
221, 221, 215, 45, 221, 221, 211, 153, 153, 153, 153, 158, 221, 221, 221, 185, 153,  
41, 41, 146,  
153, 153, 153, 146, 146, 153, 153, 41, 237, 221, 221, 219, 41, 153, 146, 146, 155,  
221, 221, 221,  
105, 146, 146, 146, 150, 93, 221, 221, 62, 146, 41, 41, 233, 146, 98, 46, 153, 41, 41,  
105,  
34, 34, 34, 34, 38, 34, 38, 34, 98, 34, 38, 34, 46, 226, 238, 238, 46, 46, 238, 46,  
238, 238, 238, 238, 238, 238, 46, 226, 226, 238, 46, 226, 110, 98, 38, 98, 98, 242,  
98, 111,  
111, 255, 111, 111, 102, 111, 102, 111, 111, 102, 102, 102, 102, 102, 110, 110, 102,  
102, 230, 102,  
225, 17, 17, 187, 187, 179, 51, 51, 51, 51, 51, 136, 136, 136, 136, 136, 136, 8, 0,  
128,  
136, 136, 136, 56, 51, 51, 51, 51, 187, 187, 187, 17, 17, 17, 17, 97, 102, 102, 102,  
102,  
102, 102, 102, 102, 102, 102, 102, 102, 102, 102, 102, 102, 102, 102, 22, 97, 102,  
22, 22, 102,  
102, 102, 22, 102, 102, 102, 102, 102, 102, 102, 246, 246, 246, 255, 255, 255, 242, 47,  
255, 47, 255,  
34, 34, 242, 34, 34, 47, 34, 34, 34, 47, 34, 34, 34, 242, 34, 34, 34, 34, 34, 34,  
34, 34, 34, 34, 34, 41, 41, 34, 34, 34, 146, 43, 221, 221, 221, 233, 146, 34, 41, 34,  
146, 34, 34, 45, 221, 221, 221, 221, 221, 61, 221, 211, 233, 146, 153, 153, 153, 153,  
237, 221,  
221, 215, 153, 153, 153, 41, 146, 153, 153, 153, 153, 153, 153, 153, 109, 221, 221,  
215, 41, 153,  
153, 153, 45, 221, 221, 221, 153, 45, 213, 221, 221, 213, 221, 221, 221, 221, 153,  
153, 155, 221,  
221, 221, 41, 153, 153, 153, 153, 61, 221, 221, 57, 157, 221, 221, 221, 153, 153,  
153, 153, 61,  
221, 221, 222, 157, 221, 221, 211, 41, 153, 153, 153, 158, 221, 221, 221, 114, 153,  
153, 153, 153,

153, 146, 153, 153, 153, 146, 153, 153, 237, 221, 221, 215, 41, 41, 41, 41, 43, 221,  
221, 221,  
233, 41, 41, 41, 46, 61, 221, 221, 126, 146, 34, 226, 146, 233, 146, 41, 46, 146, 34,  
34,  
34, 34, 34, 34, 34, 38, 34, 98, 34, 230, 226, 238, 226, 46, 34, 226, 238, 238, 46, 238,  
46, 233, 226, 238, 46, 46, 226, 46, 46, 38, 226, 102, 34, 102, 98, 38, 47, 255, 255,  
255,  
255, 246, 246, 246, 246, 102, 111, 102, 102, 102, 102, 102, 110, 102, 102, 102, 102,  
230, 97, 17,  
17, 27, 187, 187, 51, 51, 51, 51, 51, 131, 136, 136, 136, 136, 136, 128, 0, 0, 0, 0,  
136, 131, 131, 131, 131, 51, 51, 51, 59, 59, 187, 187, 17, 17, 17, 22, 22, 102, 22,  
102,  
102, 102, 102, 246, 246, 102, 102, 102, 102, 102, 102, 102, 102, 102, 102, 102, 111, 102,  
102, 102, 22,  
22, 22, 102, 22, 97, 102, 22, 111, 102, 111, 111, 111, 255, 255, 255, 255, 242, 47,  
242, 34,  
255, 255, 34, 242, 242, 34, 242, 47, 34, 34, 34, 34, 34, 34, 34, 34, 34, 34, 34, 34,  
34, 34, 41, 34, 34, 34, 34, 34, 146, 146, 34, 145, 221, 221, 221, 162, 34, 153, 146,  
146,  
41, 153, 153, 45, 221, 221, 221, 221, 221, 221, 93, 221, 233, 153, 41, 146, 146, 146,  
237, 221,  
221, 219, 146, 153, 153, 153, 153, 153, 153, 153, 153, 153, 153, 153, 45, 221, 221,  
211, 153, 153,  
153, 153, 237, 221, 221, 221, 153, 237, 221, 221, 221, 221, 221, 221, 221, 221, 153,  
153, 147, 93,  
221, 221, 219, 55, 59, 59, 189, 93, 221, 221, 217, 237, 221, 221, 221, 153, 153, 153,  
153, 221,  
221, 221, 222, 229, 221, 221, 219, 153, 153, 153, 153, 158, 221, 221, 221, 185, 153,  
153, 153, 153,  
41, 153, 146, 153, 146, 153, 146, 153, 237, 221, 221, 219, 41, 153, 153, 153, 155,  
221, 221, 221,  
233, 146, 146, 34, 150, 61, 221, 221, 54, 34, 41, 153, 105, 146, 34, 34, 41, 34, 34,  
34,

34, 34, 34, 34, 98, 34, 38, 34, 230, 146, 38, 34, 46, 238, 238, 46, 226, 226, 238, 46,  
226, 238, 238, 46, 226, 226, 110, 226, 226, 226, 38, 38, 102, 34, 255, 255, 255, 255,  
255, 255,  
246, 255, 255, 111, 111, 102, 102, 102, 102, 102, 102, 102, 102, 102, 102, 230, 102, 238,  
225, 17, 17,  
187, 187, 179, 51, 51, 51, 51, 51, 216, 136, 136, 136, 136, 128, 0, 8, 0, 128, 0, 0,  
136, 56, 136, 56, 56, 51, 51, 51, 51, 179, 59, 187, 187, 177, 17, 17, 17, 22, 102, 22,  
102, 102, 102, 102, 111, 255, 111, 111, 246, 102, 102, 102, 102, 102, 102, 102, 102,  
102, 102, 102,  
102, 102, 102, 102, 102, 102, 102, 102, 102, 102, 102, 111, 255, 111, 111, 255, 255, 255,  
242, 255, 255,  
34, 34, 242, 47, 47, 34, 47, 34, 47, 34, 242, 47, 34, 34, 34, 34, 34, 34, 34, 34,  
146, 41, 34, 41, 41, 34, 146, 34, 34, 34, 146, 43, 221, 221, 221, 233, 153, 34, 34,  
153,  
146, 146, 146, 35, 221, 221, 221, 221, 221, 221, 221, 211, 121, 153, 153, 41, 153,  
153, 237, 221,  
221, 219, 153, 153, 153, 153, 41, 153, 153, 153, 153, 153, 153, 153, 109, 221, 221,  
211, 153, 153,  
153, 153, 237, 221, 221, 211, 153, 157, 93, 221, 221, 221, 221, 221, 221, 211, 233,  
153, 155, 221,  
221, 221, 221, 221, 221, 221, 221, 221, 221, 221, 57, 157, 221, 221, 221, 153, 153,  
153, 153, 189,  
221, 221, 222, 147, 221, 221, 221, 153, 153, 153, 153, 158, 93, 221, 221, 185, 153,  
153, 153, 153,  
153, 41, 153, 146, 153, 153, 153, 146, 109, 221, 221, 215, 41, 41, 41, 146, 43, 221,  
221, 221,  
169, 41, 41, 153, 46, 61, 221, 221, 50, 146, 38, 34, 150, 34, 34, 34, 34, 34, 34, 34,  
34, 34, 34, 34, 34, 38, 34, 102, 146, 230, 226, 238, 226, 34, 46, 238, 46, 238, 46,  
226,  
238, 46, 34, 226, 46, 110, 34, 38, 102, 38, 98, 98, 34, 255, 255, 47, 255, 47, 246,  
246,  
255, 246, 102, 246, 102, 246, 102, 102, 246, 102, 111, 102, 102, 102, 102, 30, 17,  
17, 187, 187,



179, 179, 51, 51, 51, 51, 56, 136, 136, 136, 136, 128, 128, 0, 0, 0, 0, 0, 0, 0,  
136, 136, 56, 136, 136, 136, 131, 51, 51, 51, 179, 59, 187, 187, 177, 17, 17, 17, 22,  
102,  
22, 102, 102, 102, 102, 102, 246, 246, 111, 255, 246, 255, 255, 246, 255, 102, 102,  
102, 102, 102,  
102, 102, 102, 102, 102, 102, 102, 246, 102, 246, 246, 102, 255, 255, 111, 255, 47,  
47, 242, 34,  
255, 47, 34, 34, 34, 242, 34, 47, 34, 34, 34, 34, 34, 34, 34, 34, 34, 34, 34, 34,  
34, 34, 34, 34, 34, 34, 34, 146, 41, 41, 41, 33, 221, 221, 221, 226, 34, 41, 159, 238,  
238, 230, 105, 45, 221, 221, 221, 221, 221, 221, 221, 221, 233, 153, 41, 153, 153,  
41, 29, 221,  
221, 215, 153, 146, 153, 153, 153, 153, 153, 153, 153, 153, 153, 153, 45, 221, 221,  
213, 30, 238,  
226, 238, 93, 221, 221, 221, 153, 237, 221, 221, 221, 221, 221, 221, 221, 213, 41,  
153, 147, 221,  
221, 221, 221, 221, 221, 221, 221, 221, 221, 221, 210, 157, 221, 221, 221, 153, 153,  
153, 153, 221,  
221, 221, 94, 237, 221, 221, 219, 153, 153, 153, 153, 147, 221, 221, 221, 121, 153,  
153, 146, 153,  
153, 153, 153, 153, 146, 146, 153, 153, 237, 221, 221, 219, 41, 146, 146, 153, 147,  
221, 221, 221,  
105, 146, 146, 34, 158, 125, 221, 221, 62, 146, 153, 34, 41, 41, 34, 146, 41, 34, 146,  
41,  
34, 34, 34, 98, 38, 34, 226, 146, 230, 34, 158, 34, 46, 238, 226, 34, 226, 46, 226, 46,  
34, 226, 238, 46, 226, 34, 102, 98, 34, 98, 38, 47, 255, 255, 47, 255, 255, 111, 255,  
255,  
246, 255, 255, 102, 102, 111, 102, 246, 102, 102, 102, 102, 102, 97, 17, 17, 17, 187,  
187, 179,  
51, 51, 51, 51, 56, 136, 136, 141, 136, 136, 0, 128, 0, 8, 0, 0, 0, 0, 0,  
131, 136, 136, 56, 51, 51, 56, 51, 51, 51, 51, 179, 187, 187, 187, 177, 17, 17, 17, 22,  
102, 102, 102, 102, 102, 102, 111, 111, 246, 102, 111, 102, 102, 111, 102, 255, 111,  
255, 246, 246,

102, 102, 102, 102, 102, 102, 102, 102, 102, 102, 111, 111, 111, 102, 255, 255, 255, 255,  
242, 255, 255,  
34, 242, 255, 47, 34, 47, 47, 34, 34, 242, 34, 34, 34, 34, 34, 34, 34, 34, 34, 34, 34,  
34, 146, 41, 34, 146, 146, 146, 41, 34, 34, 34, 43, 221, 221, 93, 233, 153, 146, 46,  
221,  
221, 221, 18, 45, 221, 221, 221, 221, 221, 221, 221, 221, 221, 221, 233, 153, 153, 41, 153,  
153, 237, 221,  
221, 219, 153, 153, 153, 153, 153, 153, 153, 153, 153, 153, 153, 153, 153, 45, 221, 221,  
221, 221, 221,  
221, 221, 221, 221, 221, 215, 153, 45, 221, 221, 221, 221, 221, 221, 221, 221, 211, 233,  
153, 155, 221,  
221, 221, 221, 221, 221, 221, 221, 221, 221, 221, 126, 157, 221, 221, 221, 153, 153,  
153, 153, 61,  
221, 221, 222, 149, 221, 221, 221, 215, 187, 183, 187, 221, 221, 221, 221, 185, 153,  
153, 153, 153,  
146, 153, 146, 153, 153, 153, 146, 146, 109, 221, 221, 219, 41, 153, 153, 146, 155,  
221, 221, 221,  
233, 41, 41, 41, 38, 61, 221, 221, 126, 146, 98, 146, 34, 34, 34, 34, 150, 146, 34, 34,  
34, 34, 34, 150, 34, 34, 46, 110, 146, 238, 226, 238, 226, 34, 46, 238, 46, 226, 46,  
226,  
238, 46, 34, 98, 38, 102, 38, 38, 246, 34, 242, 255, 242, 242, 255, 255, 38, 38, 246,  
246,  
255, 102, 246, 111, 246, 102, 246, 111, 102, 111, 102, 102, 225, 17, 17, 27, 187,  
179, 179, 51,  
51, 51, 56, 136, 136, 136, 216, 136, 136, 0, 128, 0, 128, 0, 0, 0, 0, 0, 0,  
136, 131, 131, 131, 136, 136, 131, 131, 51, 51, 51, 59, 59, 59, 187, 187, 177, 17, 17,  
17,  
17, 97, 102, 102, 102, 102, 102, 246, 255, 255, 255, 255, 255, 246, 255, 102, 246,  
102, 111, 111,  
255, 246, 246, 102, 111, 102, 111, 102, 111, 246, 102, 246, 255, 111, 111, 111, 255,  
255, 242, 47,  
242, 242, 34, 242, 242, 34, 34, 47, 34, 34, 34, 34, 34, 242, 34, 34, 34, 34, 34, 41,  
34, 34, 34, 34, 34, 34, 34, 34, 41, 41, 41, 33, 221, 221, 221, 226, 34, 41, 145, 221,





153, 153, 153, 153, 153, 153, 146, 153, 109, 221, 221, 219, 41, 153, 41, 153, 155,  
221, 221, 221,  
233, 34, 146, 146, 38, 189, 221, 221, 217, 41, 34, 34, 41, 41, 41, 34, 34, 41, 34, 34,  
34, 150, 46, 146, 34, 41, 233, 158, 230, 34, 226, 41, 46, 46, 226, 34, 233, 102, 98,  
102,  
38, 34, 98, 34, 34, 242, 34, 242, 47, 242, 255, 242, 255, 242, 255, 246, 111, 255,  
246, 255,  
255, 111, 255, 246, 111, 102, 102, 238, 225, 17, 177, 187, 187, 51, 51, 51, 51, 51,  
136, 131,  
136, 136, 136, 136, 136, 0, 0, 0, 0, 128, 0, 0, 0, 0, 0, 0, 0, 0, 0,  
51, 51, 56, 51, 51, 51, 56, 51, 51, 51, 51, 51, 179, 51, 179, 187, 187, 187, 17,  
17, 17, 17, 102, 22, 102, 102, 102, 102, 102, 102, 102, 111, 255, 255, 255, 255, 255,  
255, 246,  
246, 255, 255, 255, 111, 111, 255, 111, 255, 111, 246, 255, 111, 255, 255, 246, 242,  
255, 246, 34,  
47, 255, 242, 242, 47, 34, 34, 34, 47, 34, 34, 34, 34, 34, 34, 34, 34, 34, 34, 34,  
34, 34, 146, 146, 41, 34, 34, 146, 41, 34, 146, 43, 221, 221, 221, 233, 41, 146, 145,  
221,  
221, 221, 25, 45, 221, 221, 221, 169, 153, 153, 153, 146, 146, 153, 153, 153, 153,  
153, 237, 221,  
221, 219, 153, 153, 153, 153, 153, 153, 153, 153, 153, 153, 153, 153, 153, 45, 221, 221,  
221, 221, 221,  
221, 221, 221, 221, 222, 153, 153, 237, 221, 221, 211, 153, 153, 153, 153, 153, 153,  
153, 155, 221,  
221, 221, 233, 153, 153, 153, 153, 221, 221, 221, 82, 157, 221, 221, 221, 153, 153,  
153, 153, 221,  
221, 221, 222, 45, 221, 221, 221, 221, 221, 221, 221, 221, 221, 221, 215, 153, 153,  
153, 153, 153,  
153, 153, 153, 41, 41, 146, 153, 146, 109, 221, 221, 215, 41, 41, 153, 41, 43, 221,  
221, 221,  
169, 153, 41, 153, 158, 213, 221, 221, 190, 146, 41, 41, 34, 146, 34, 41, 34, 34, 34,  
34,

233, 105, 34, 98, 46, 238, 150, 105, 34, 226, 46, 230, 233, 105, 38, 38, 150, 34, 34,  
34,  
34, 98, 34, 255, 242, 47, 255, 47, 242, 255, 47, 255, 47, 246, 255, 242, 255, 255,  
255, 111,  
255, 246, 246, 102, 102, 230, 238, 17, 17, 187, 187, 187, 51, 179, 51, 51, 56, 136,  
56, 136,  
136, 136, 128, 0, 0, 216, 8, 0, 0, 0, 0, 0, 0, 0, 0, 0, 0, 0, 0, 0, 0,  
51, 51, 51, 51, 51, 51, 51, 51, 51, 51, 51, 51, 51, 59, 59, 59, 59, 187, 187, 187, 187,  
177, 17, 17, 17, 22, 97, 97, 102, 102, 102, 102, 111, 111, 246, 255, 246, 255, 255,  
255, 255,  
255, 255, 255, 111, 255, 255, 111, 255, 111, 246, 255, 246, 255, 111, 255, 255, 38,  
255, 34, 255,  
34, 34, 34, 47, 34, 242, 242, 47, 34, 34, 34, 34, 34, 34, 34, 34, 34, 34, 146, 41,  
34, 146, 34, 34, 34, 41, 34, 34, 146, 146, 41, 33, 221, 221, 213, 226, 146, 153, 46,  
221,  
221, 221, 178, 45, 221, 221, 211, 153, 41, 146, 146, 153, 153, 153, 41, 153, 146,  
153, 237, 221,  
221, 215, 153, 153, 153, 153, 153, 153, 153, 153, 153, 153, 153, 153, 45, 221, 221,  
221, 221, 221,  
221, 221, 221, 221, 121, 153, 153, 237, 213, 221, 219, 153, 153, 153, 153, 153, 153,  
153, 155, 93,  
221, 221, 233, 153, 153, 153, 153, 61, 221, 221, 57, 157, 221, 221, 221, 153, 153,  
153, 153, 221,  
221, 221, 222, 149, 221, 221, 221, 221, 221, 221, 221, 221, 221, 221, 221, 233, 153, 153,  
153, 153, 153,  
153, 153, 153, 153, 153, 153, 153, 153, 153, 237, 221, 221, 219, 41, 153, 146, 153, 155,  
221, 221, 221,  
105, 146, 146, 34, 38, 189, 221, 221, 217, 146, 146, 146, 146, 34, 41, 34, 41, 34, 34,  
34,  
158, 150, 34, 46, 41, 153, 226, 46, 46, 150, 41, 41, 46, 46, 34, 34, 98, 98, 98, 98,  
34, 34, 242, 34, 47, 34, 34, 242, 255, 47, 242, 255, 255, 47, 38, 246, 255, 111, 98,  
255,

111, 255, 102, 102, 238, 225, 17, 27, 187, 187, 179, 51, 51, 51, 51, 131, 131, 136,  
136, 136,  
136, 128, 8, 128, 128, 0, 0, 0, 128, 0, 0, 0, 0, 0, 0, 0, 0, 0, 0, 0,  
179, 51, 51, 51, 51, 51, 51, 51, 51, 51, 51, 51, 59, 179, 51, 179, 179, 179, 187, 187, 187,  
27, 177, 17, 17, 17, 22, 22, 102, 102, 102, 102, 102, 102, 102, 111, 111, 255, 255, 255,  
255, 255,  
255, 255, 255, 255, 246, 255, 255, 255, 255, 255, 255, 255, 255, 255, 111, 255, 242,  
242, 98, 255,  
246, 255, 255, 34, 242, 47, 34, 34, 34, 34, 47, 34, 47, 34, 34, 34, 34, 34, 34, 34,  
34, 34, 146, 41, 41, 34, 146, 153, 34, 41, 34, 33, 221, 221, 221, 233, 41, 34, 145,  
221,  
221, 221, 114, 45, 221, 221, 221, 41, 146, 153, 153, 41, 153, 41, 153, 146, 153, 146,  
237, 221,  
221, 211, 153, 153, 153, 153, 153, 153, 153, 153, 153, 153, 153, 153, 153, 157, 221, 221,  
221, 123, 235,  
115, 221, 221, 221, 57, 153, 153, 157, 221, 221, 219, 153, 153, 153, 153, 153, 153,  
153, 155, 221,  
221, 221, 233, 153, 153, 153, 153, 221, 221, 221, 210, 157, 221, 221, 221, 153, 153,  
153, 158, 221,  
221, 221, 217, 227, 221, 221, 221, 221, 221, 221, 221, 221, 213, 190, 153, 153, 153,  
153, 153, 153,  
153, 153, 153, 153, 153, 153, 146, 153, 237, 221, 221, 219, 41, 146, 153, 146, 147,  
221, 221, 221,  
233, 146, 153, 153, 158, 93, 221, 221, 190, 146, 146, 34, 41, 41, 34, 34, 34, 34, 34,  
46,  
41, 34, 226, 41, 46, 226, 150, 41, 105, 98, 226, 230, 34, 34, 98, 98, 34, 34, 34, 34,  
242, 34, 34, 242, 242, 255, 255, 255, 47, 242, 255, 47, 47, 111, 255, 255, 255, 255,  
255, 111,  
246, 102, 230, 238, 17, 17, 187, 187, 187, 51, 51, 51, 51, 56, 136, 136, 136, 136,  
136, 136,  
0, 128, 128, 8, 13, 8, 0, 0, 0, 0, 0, 0, 0, 0, 0, 0, 0, 0,  
187, 187, 179, 179, 179, 59, 51, 179, 51, 51, 59, 51, 51, 187, 59, 187, 187, 187, 187,  
187,

187, 27, 177, 17, 17, 97, 97, 17, 97, 102, 102, 102, 102, 102, 246, 111, 255, 255,  
255, 255,  
255, 255, 255, 255, 255, 255, 255, 255, 255, 111, 255, 255, 255, 255, 255, 242, 255,  
246, 38, 34,  
34, 34, 242, 255, 47, 34, 47, 34, 242, 47, 34, 34, 34, 34, 34, 34, 146, 34, 146,  
41, 34, 34, 34, 34, 34, 34, 41, 34, 146, 33, 221, 221, 221, 233, 146, 153, 145,  
221,  
221, 221, 25, 99, 221, 221, 211, 41, 153, 153, 153, 153, 153, 153, 153, 153, 153,  
153, 237, 221,  
221, 215, 41, 153, 153, 153, 153, 153, 153, 153, 153, 153, 153, 153, 45, 221, 221,  
211, 153, 153,  
158, 221, 221, 221, 217, 153, 153, 237, 221, 221, 219, 153, 153, 153, 153, 153, 153,  
153, 151, 221,  
221, 221, 233, 153, 153, 153, 153, 61, 221, 221, 114, 157, 221, 221, 221, 153, 153,  
153, 237, 221,  
221, 221, 210, 158, 238, 238, 238, 231, 221, 221, 221, 190, 233, 153, 153, 153, 153,  
153, 153, 153,  
153, 153, 153, 153, 41, 146, 153, 153, 109, 221, 221, 215, 41, 153, 153, 153, 155,  
221, 221, 221,  
169, 153, 41, 146, 43, 221, 221, 221, 217, 146, 41, 41, 34, 34, 34, 146, 34, 34, 34,  
153,  
46, 146, 146, 46, 41, 150, 105, 102, 158, 34, 34, 146, 98, 98, 34, 34, 34, 34, 34, 34,  
34, 242, 242, 242, 255, 34, 34, 242, 255, 47, 255, 255, 255, 47, 242, 255, 255, 98,  
111, 102,  
110, 238, 225, 17, 27, 187, 187, 187, 51, 59, 51, 51, 56, 131, 56, 56, 136, 136, 8, 0,  
128, 8, 0, 0, 0, 0, 8, 0, 0, 0, 0, 0, 0, 0, 0, 0, 0,  
187, 187, 187, 187, 187, 187, 187, 59, 187, 187, 179, 187, 187, 59, 187, 59, 179,  
187, 187, 187,  
177, 177, 17, 177, 17, 17, 22, 102, 22, 102, 102, 102, 102, 102, 111, 111, 111, 255,  
255, 255,  
255, 255, 255, 255, 255, 255, 255, 255, 255, 255, 255, 255, 255, 255, 255, 47, 255,  
242, 34, 111,  
111, 255, 47, 34, 242, 47, 34, 242, 34, 34, 34, 34, 34, 34, 34, 34, 34, 34, 34, 34,





221, 219, 153, 153, 153, 153, 153, 153, 153, 153, 153, 153, 153, 153, 45, 221, 221,  
221, 153, 153,  
153, 189, 221, 221, 221, 153, 153, 237, 221, 221, 221, 221, 221, 213, 221, 221, 221,  
89, 147, 221,  
221, 221, 233, 153, 153, 153, 153, 61, 221, 221, 50, 157, 221, 221, 221, 221, 221,  
221, 221, 221,  
221, 221, 233, 153, 153, 153, 153, 155, 221, 221, 221, 233, 153, 153, 153, 153, 153,  
153, 153, 153,  
153, 153, 153, 153, 153, 153, 153, 153, 109, 221, 221, 219, 41, 153, 153, 153, 155,  
221, 221, 221,  
221, 221, 221, 221, 221, 221, 221, 221, 221, 57, 153, 41, 146, 41, 34, 34, 34, 46, 158, 41,  
41,  
226, 146, 146, 150, 41, 150, 34, 98, 34, 98, 34, 34, 34, 38, 34, 34, 34, 34, 34, 34,  
47, 47, 47, 34, 242, 34, 34, 255, 255, 242, 242, 255, 255, 242, 255, 102, 246, 102,  
238, 225,  
17, 187, 187, 187, 187, 51, 179, 51, 51, 56, 136, 56, 56, 136, 136, 136, 128, 0, 136,  
0,  
128, 0, 128, 0, 0, 128, 8, 0, 0, 0, 0, 0, 0, 0, 0, 0, 0, 0, 0,  
238, 17, 17, 17, 17, 17, 17, 177, 187, 187, 187, 187, 187, 187, 187, 187, 187, 187,  
187, 177,  
177, 17, 27, 17, 17, 17, 17, 17, 22, 102, 22, 97, 102, 102, 102, 102, 111, 111, 111,  
255,  
255, 255, 255, 255, 255, 255, 255, 255, 255, 255, 242, 255, 255, 242, 242, 255, 255,  
34, 255, 47,  
255, 255, 47, 34, 242, 34, 242, 34, 242, 34, 47, 34, 34, 34, 34, 34, 41, 34, 34, 34,  
41, 41, 34, 146, 34, 146, 41, 34, 41, 34, 146, 33, 221, 221, 221, 221, 221, 221, 221,  
221,  
221, 221, 18, 45, 221, 221, 221, 221, 221, 221, 221, 221, 221, 210, 153, 153, 153,  
153, 29, 221,  
221, 215, 153, 153, 153, 153, 153, 153, 153, 153, 153, 153, 153, 153, 157, 221, 221,  
211, 153, 153,  
153, 157, 221, 221, 221, 233, 153, 157, 221, 221, 221, 221, 221, 221, 221, 221, 221,  
217, 155, 221,

221, 221, 233, 153, 153, 153, 153, 221, 221, 221, 82, 157, 221, 221, 221, 221, 221,  
221, 221, 221,  
213, 211, 153, 153, 153, 153, 153, 155, 221, 221, 221, 233, 153, 153, 153, 153, 153,  
153, 153, 153,  
153, 153, 153, 153, 153, 153, 146, 153, 237, 221, 221, 215, 41, 146, 153, 146, 155,  
221, 221, 221,  
221, 221, 221, 93, 221, 221, 221, 221, 233, 34, 34, 41, 34, 41, 34, 146, 153, 41, 150,  
34,  
146, 226, 46, 41, 38, 105, 34, 34, 34, 34, 34, 38, 34, 34, 34, 34, 34, 34, 34, 47,  
34, 242, 242, 255, 47, 255, 255, 34, 34, 47, 255, 242, 255, 246, 246, 102, 238, 238,  
17, 177,  
187, 187, 187, 179, 51, 51, 51, 51, 51, 211, 56, 221, 136, 216, 216, 128, 8, 136, 0,  
128,  
0, 128, 0, 0, 128, 0, 0, 0, 0, 0, 0, 0, 0, 0, 0, 0, 0, 0,  
238, 230, 238, 30, 17, 17, 17, 17, 17, 17, 17, 27, 27, 27, 187, 187, 177, 187, 27, 27,  
27, 187, 17, 27, 17, 17, 22, 22, 17, 17, 97, 102, 102, 102, 102, 102, 102, 246, 246,  
111,  
255, 255, 255, 255, 255, 255, 255, 255, 255, 47, 47, 47, 47, 255, 47, 34, 47, 255, 34,  
242,  
34, 34, 242, 242, 47, 47, 47, 34, 34, 242, 34, 34, 34, 34, 34, 34, 34, 34, 41, 34,  
34, 34, 34, 34, 153, 41, 34, 146, 146, 146, 41, 43, 221, 221, 221, 221, 221, 221, 221,  
221,  
221, 221, 185, 45, 221, 221, 221, 221, 221, 221, 221, 221, 93, 210, 153, 153, 153,  
153, 237, 221,  
221, 219, 153, 153, 153, 153, 153, 153, 153, 153, 153, 153, 153, 153, 45, 221, 221,  
221, 153, 153,  
153, 147, 221, 221, 93, 185, 153, 237, 221, 221, 221, 221, 221, 221, 221, 221,  
217, 155, 93,  
221, 221, 233, 153, 153, 153, 153, 61, 221, 221, 50, 157, 221, 221, 221, 221, 221,  
221, 221, 221,  
221, 222, 153, 153, 153, 153, 153, 158, 93, 221, 221, 121, 153, 153, 153, 153, 153,  
153, 153, 153,

153, 153, 153, 153, 153, 153, 153, 153, 109, 221, 221, 219, 41, 153, 146, 153, 43,  
221, 221, 221,  
221, 221, 221, 221, 221, 221, 221, 221, 221, 34, 153, 146, 146, 146, 146, 34, 34, 34, 46,  
41, 34,  
34, 146, 41, 38, 41, 150, 34, 34, 34, 34, 34, 41, 34, 34, 34, 34, 34, 242, 34,  
47, 34, 47, 34, 242, 34, 34, 255, 255, 242, 242, 255, 255, 102, 110, 238, 238, 17,  
177, 187,  
187, 187, 179, 179, 179, 51, 51, 61, 221, 61, 221, 136, 221, 136, 208, 216, 208, 0, 8,  
8,  
8, 0, 128, 208, 0, 0, 128, 0, 0, 0, 0, 0, 0, 0, 0, 0, 0, 0, 0,  
30, 225, 102, 102, 102, 97, 97, 17, 17, 17, 17, 17, 17, 17, 17, 17, 17, 17, 177,  
17, 17, 17, 17, 17, 17, 17, 97, 102, 22, 97, 97, 102, 102, 102, 102, 111, 111, 246,  
255, 255, 255, 255, 255, 255, 255, 255, 34, 255, 255, 242, 242, 47, 255, 255, 242,  
34, 255, 47,  
255, 255, 47, 47, 34, 34, 34, 34, 242, 34, 242, 34, 34, 34, 34, 146, 41, 34, 41,  
34, 146, 146, 146, 34, 146, 153, 41, 34, 41, 146, 46, 221, 221, 221, 221, 221, 221,  
221, 221,  
221, 221, 114, 45, 221, 221, 221, 221, 221, 221, 221, 221, 221, 210, 153, 153, 153,  
146, 237, 221,  
221, 219, 153, 153, 153, 153, 153, 153, 153, 153, 153, 153, 153, 153, 157, 221, 221,  
215, 153, 153,  
153, 158, 221, 221, 221, 57, 153, 157, 221, 221, 221, 221, 221, 221, 221, 221,  
217, 147, 221,  
221, 221, 233, 153, 153, 153, 153, 221, 221, 213, 50, 157, 221, 221, 221, 221, 221,  
221, 221, 221,  
221, 233, 153, 153, 153, 153, 153, 155, 221, 221, 221, 233, 153, 153, 153, 153, 153,  
153, 153, 153,  
153, 153, 153, 153, 153, 153, 153, 153, 237, 221, 221, 219, 41, 153, 153, 153, 147,  
221, 213, 221,  
221, 221, 221, 221, 221, 221, 221, 222, 41, 34, 41, 34, 41, 105, 41, 34, 34, 153, 150,  
146,  
34, 34, 34, 41, 38, 34, 34, 34, 34, 34, 34, 34, 34, 34, 34, 34, 34, 34, 34, 34,

34, 47, 34, 47, 47, 255, 255, 47, 47, 47, 255, 246, 110, 110, 238, 225, 17, 187, 187,  
187,  
187, 51, 51, 51, 51, 61, 61, 51, 211, 221, 136, 221, 141, 221, 8, 13, 8, 141, 128, 0,  
128, 0, 0, 0, 0, 0, 0, 0, 0, 0, 0, 0, 0, 0, 0, 0, 0, 0, 0, 0,  
17, 17, 17, 22, 22, 22, 97, 102, 102, 22, 17, 17, 17, 17, 17, 17, 17, 17, 17,  
17, 17, 17, 17, 17, 17, 17, 97, 22, 17, 97, 22, 22, 22, 102, 102, 102, 102, 102, 255,  
255, 255, 255, 255, 255, 255, 255, 47, 255, 34, 47, 47, 255, 242, 34, 34, 47, 255, 34,  
34,  
242, 34, 242, 34, 242, 242, 34, 242, 47, 34, 34, 34, 34, 34, 34, 34, 34, 34, 34, 34,  
146, 34, 34, 41, 34, 146, 34, 34, 41, 34, 34, 43, 221, 221, 221, 221, 221, 221, 221,  
221,  
221, 221, 178, 45, 221, 221, 221, 221, 221, 221, 221, 221, 221, 221, 210, 153, 153, 153,  
153, 237, 221,  
221, 215, 153, 153, 153, 153, 153, 153, 153, 153, 153, 153, 153, 153, 45, 221, 221,  
211, 153, 153,  
153, 153, 221, 221, 221, 222, 153, 237, 221, 221, 221, 221, 221, 221, 221, 221, 221,  
217, 155, 221,  
221, 221, 233, 153, 153, 153, 153, 61, 221, 216, 57, 157, 221, 221, 221, 221, 221,  
221, 221, 221,  
126, 153, 153, 153, 153, 153, 153, 153, 158, 221, 221, 221, 185, 153, 153, 153, 153, 153,  
153, 153, 153,  
153, 153, 153, 153, 153, 153, 153, 153, 109, 221, 221, 215, 41, 153, 41, 153, 43,  
221, 221, 221,  
221, 221, 221, 221, 221, 221, 221, 221, 233, 146, 153, 34, 153, 41, 146, 34, 34, 158, 150,  
41, 98,  
34, 34, 34, 34, 41, 34, 34, 34, 41, 34, 34, 34, 34, 34, 34, 34, 34, 34, 34, 242,  
242, 242, 255, 242, 34, 34, 242, 242, 255, 246, 246, 230, 238, 238, 30, 177, 187, 27,  
187, 187,  
51, 179, 51, 51, 61, 51, 211, 221, 221, 211, 221, 216, 221, 8, 8, 208, 128, 0, 8, 208,  
0, 128, 128, 8, 0, 128, 13, 0, 0, 0, 0, 13, 0, 13, 0, 0, 0, 0, 0, 0,  
187, 17, 17, 17, 17, 97, 102, 102, 22, 102, 102, 102, 22, 22, 17, 97, 17, 17, 17, 17,  
17, 17, 17, 17, 17, 97, 22, 17, 102, 22, 102, 102, 102, 22, 102, 102, 102, 102,  
102,

111, 111, 255, 255, 255, 255, 255, 242, 242, 255, 242, 255, 47, 47, 255, 255, 242,  
47, 47, 242,  
34, 242, 242, 255, 34, 34, 242, 34, 34, 47, 34, 34, 34, 34, 34, 34, 34, 34, 41, 34,  
34, 34, 146, 34, 146, 41, 41, 41, 146, 41, 153, 33, 221, 221, 221, 221, 221, 221, 221,  
221,  
221, 221, 114, 35, 221, 221, 221, 221, 221, 221, 221, 221, 221, 221, 210, 153, 153, 41,  
153, 237, 221,  
221, 219, 153, 153, 153, 153, 153, 153, 153, 153, 153, 153, 153, 153, 153, 157, 221, 221,  
221, 153, 153,  
153, 153, 61, 221, 221, 215, 153, 157, 221, 221, 221, 93, 221, 221, 221, 221, 221,  
89, 151, 221,  
221, 221, 233, 153, 153, 153, 153, 61, 221, 93, 210, 157, 221, 221, 221, 221, 221,  
221, 55, 190,  
153, 153, 153, 153, 153, 153, 153, 155, 221, 221, 221, 121, 153, 153, 153, 153, 153,  
153, 153, 153,  
153, 153, 153, 153, 153, 153, 153, 153, 153, 237, 221, 221, 211, 153, 41, 153, 41, 155,  
221, 221, 221,  
221, 221, 221, 221, 221, 221, 190, 146, 41, 34, 153, 34, 34, 34, 146, 146, 41, 41, 34,  
146,  
41, 34, 34, 34, 34, 41, 34, 146, 34, 34, 146, 34, 146, 34, 34, 34, 34, 47, 34, 34,  
34, 242, 34, 47, 255, 255, 47, 255, 111, 102, 230, 238, 238, 17, 27, 27, 187, 187,  
187, 51,  
179, 51, 51, 211, 211, 211, 221, 61, 61, 221, 216, 216, 208, 141, 128, 221, 8, 221, 0,  
8,  
128, 0, 8, 0, 8, 0, 0, 0, 128, 0, 128, 0, 0, 0, 0, 128, 208, 128, 128, 128,  
179, 187, 187, 27, 17, 17, 17, 22, 102, 102, 97, 102, 102, 97, 102, 22, 102, 22, 22,  
22,  
17, 97, 22, 17, 97, 102, 22, 97, 102, 17, 102, 17, 97, 102, 102, 102, 102, 102, 102,  
111,  
255, 255, 255, 255, 255, 255, 242, 255, 47, 242, 255, 34, 242, 242, 34, 34, 47, 34,  
47, 47,  
255, 34, 34, 34, 34, 242, 34, 242, 34, 34, 34, 34, 34, 34, 34, 34, 41, 41, 34, 146,









153, 153, 153, 153, 153, 153, 153, 153, 153, 153, 153, 153, 153, 153, 153, 153, 153, 153, 153,  
41, 153, 153,  
146, 153, 41, 153, 41, 41, 41, 153, 153, 34, 146, 146, 34, 153, 34, 34, 146, 34, 146,  
41,  
34, 146, 34, 34, 34, 146, 146, 41, 34, 34, 146, 34, 34, 34, 34, 34, 34, 34, 34, 34,  
242, 255, 246, 246, 230, 230, 238, 225, 17, 27, 235, 187, 187, 187, 179, 59, 51, 51,  
51, 51,  
51, 61, 221, 51, 221, 211, 221, 221, 221, 216, 216, 208, 128, 141, 8, 8, 8, 136, 208,  
136,  
13, 0, 128, 8, 128, 136, 128, 8, 8, 8, 136, 8, 136, 8, 128, 136, 136, 128, 136, 128,  
136, 136, 131, 51, 51, 51, 179, 187, 187, 187, 177, 17, 17, 17, 17, 97, 102, 102, 102,  
102,  
102, 102, 102, 102, 102, 102, 97, 102, 102, 102, 102, 102, 102, 102, 102, 102, 102,  
102, 102, 111,  
246, 255, 246, 255, 255, 255, 255, 242, 66, 34, 242, 255, 47, 34, 47, 242, 242, 47,  
34, 34,  
242, 34, 242, 47, 47, 34, 47, 34, 34, 34, 34, 34, 34, 34, 34, 41, 34, 146, 41, 41, 34,  
41, 34, 34, 41, 34, 41, 34, 146, 34, 34, 41, 146, 153, 146, 146, 153, 41, 41, 153, 153,  
153, 146, 146, 153, 41, 153, 146, 153, 153, 153, 153, 153, 153, 153, 153, 153, 153,  
153, 153, 153,  
153, 153, 153, 153, 153, 153, 153, 153, 153, 153, 153, 153, 153, 153, 153, 153, 153,  
153, 153, 153,  
153, 153, 153, 153, 153, 153, 153, 153, 153, 153, 153, 153, 153, 153, 153, 153, 153,  
153, 153, 153,  
153, 153, 153, 153, 153, 153, 153, 153, 153, 153, 153, 153, 153, 153, 153, 153, 153,  
153, 153, 153,  
153, 153, 153, 153, 153, 153, 153, 153, 153, 153, 153, 153, 153, 153, 153, 153, 153,  
153, 153, 153,  
153, 153, 153, 153, 153, 153, 153, 153, 153, 153, 153, 153, 153, 153, 153, 153, 153,  
153, 153, 153,  
153, 153, 153, 153, 153, 153, 153, 153, 153, 153, 153, 153, 153, 153, 153, 153, 153,  
153, 146, 146,  
153, 41, 146, 41, 153, 41, 146, 34, 146, 153, 41, 34, 153, 34, 146, 146, 34, 153, 41,  
34,  
153, 41, 41, 34, 146, 34, 41, 34, 34, 34, 34, 146, 34, 34, 34, 34, 47, 34, 255, 255,

255, 246, 102, 110, 110, 238, 238, 30, 187, 187, 187, 187, 187, 179, 59, 51, 51, 51,  
51, 51,  
51, 61, 51, 221, 61, 61, 221, 221, 221, 216, 141, 136, 141, 128, 136, 141, 128, 128,  
8, 208,  
128, 136, 216, 128, 8, 0, 136, 136, 141, 136, 8, 136, 8, 136, 8, 136, 8, 136, 136, 136,  
136, 136, 136, 136, 51, 51, 51, 51, 187, 187, 187, 187, 17, 17, 17, 17, 17, 22, 22,  
102,  
102, 102, 102, 102, 102, 102, 102, 102, 102, 102, 102, 102, 102, 102, 102, 102, 102,  
102, 102, 102,  
111, 111, 255, 255, 255, 255, 255, 242, 34, 47, 47, 242, 242, 255, 242, 47, 47, 34,  
242, 242,  
34, 242, 34, 242, 34, 34, 34, 34, 242, 34, 34, 34, 34, 34, 34, 34, 34, 34, 34, 41,  
34, 146, 146, 146, 41, 34, 146, 41, 153, 41, 146, 41, 34, 41, 41, 41, 146, 153, 41, 41,  
34, 153, 153, 153, 153, 146, 153, 146, 146, 153, 153, 153, 153, 153, 153, 153, 153,  
153, 153, 153,  
153, 153, 153, 153, 153, 153, 153, 153, 153, 153, 153, 153, 153, 153, 153, 153, 153,  
153, 153, 153,  
153, 153, 153, 153, 153, 153, 153, 153, 153, 153, 153, 153, 153, 153, 153, 153, 153,  
153, 153, 153,  
153, 153, 153, 153, 153, 153, 153, 153, 153, 153, 153, 153, 153, 153, 153, 153, 153,  
153, 153, 153,  
153, 153, 153, 153, 153, 153, 153, 153, 153, 153, 153, 153, 153, 153, 153, 153, 153,  
153, 153, 153,  
153, 153, 153, 153, 41, 146, 153, 153, 41, 34, 146, 153, 34, 41, 41, 41, 153, 34, 34,  
41,  
34, 34, 146, 146, 41, 41, 34, 34, 146, 146, 34, 34, 34, 34, 34, 34, 34, 34, 255, 47, 255,  
102, 102, 110, 238, 238, 238, 17, 187, 235, 235, 187, 187, 51, 59, 51, 51, 51, 51, 51,  
51,  
51, 61, 221, 51, 211, 221, 61, 61, 221, 221, 216, 221, 216, 216, 221, 8, 8, 141, 136,  
8,

136, 136, 8, 8, 136, 136, 8, 13, 8, 8, 128, 136, 128, 136, 136, 136, 136, 136, 136,  
136,  
8, 136, 136, 136, 136, 131, 51, 51, 51, 51, 187, 187, 187, 187, 17, 17, 17, 17, 17, 17,  
102, 102, 102, 102, 102, 102, 102, 102, 102, 102, 102, 102, 102, 102, 102, 102, 102,  
102, 111, 255,  
246, 246, 246, 246, 255, 255, 255, 255, 47, 255, 47, 47, 255, 34, 47, 34, 242, 242,  
47, 34,  
242, 34, 34, 34, 34, 34, 242, 34, 34, 34, 34, 34, 34, 41, 34, 146, 41, 34, 41, 34,  
34, 41, 41, 34, 146, 153, 41, 146, 34, 146, 41, 146, 153, 146, 146, 146, 153, 41, 153,  
153,  
153, 41, 153, 41, 153, 153, 153, 153, 153, 153, 41, 153, 153, 153, 153, 153, 153,  
153, 153, 153,  
153, 153, 153, 153, 153, 153, 153, 153, 153, 153, 153, 153, 153, 153, 153, 153, 153,  
153, 153, 153,  
153, 153, 153, 153, 153, 153, 153, 153, 153, 153, 153, 153, 153, 153, 153, 153, 153,  
153, 153, 153,  
153, 153, 153, 153, 153, 153, 153, 153, 153, 153, 153, 153, 153, 153, 153, 153, 153,  
153, 153, 153,  
153, 153, 153, 153, 153, 153, 153, 153, 153, 153, 153, 153, 153, 153, 153, 153, 146,  
146, 153, 41,  
146, 146, 146, 146, 146, 41, 41, 41, 146, 146, 153, 34, 153, 146, 146, 146, 34, 41,  
153, 146,  
146, 146, 34, 34, 34, 34, 146, 146, 34, 34, 34, 34, 34, 34, 34, 47, 255, 242, 98, 102,  
102, 238, 238, 238, 238, 235, 187, 235, 187, 187, 187, 59, 187, 51, 55, 51, 51, 51,  
51, 51,  
51, 51, 61, 221, 221, 61, 221, 221, 211, 216, 141, 136, 141, 141, 136, 136, 216, 141,  
141, 136,  
216, 13, 136, 136, 136, 8, 136, 136, 136, 136, 136, 136, 136, 136, 136, 136, 136,  
136, 136, 136,  
128, 0, 136, 136, 136, 136, 136, 51, 51, 51, 51, 59, 187, 187, 187, 177, 17, 17, 17,  
17,

17, 22, 22, 22, 102, 102, 102, 102, 111, 255, 255, 246, 102, 246, 246, 246, 246, 246,  
246, 111,  
111, 255, 255, 255, 255, 255, 255, 255, 255, 255, 47, 242, 255, 34, 255, 34, 242, 34, 47,  
34, 47,  
34, 47, 47, 34, 34, 34, 34, 34, 34, 34, 34, 34, 34, 34, 34, 34, 34, 34, 41, 34, 34,  
146, 146, 34, 41, 34, 34, 146, 41, 41, 41, 146, 41, 41, 41, 153, 153, 41, 153, 41, 41,  
41, 153, 41, 146, 146, 153, 146, 153, 153, 153, 153, 146, 153, 153, 153, 153, 153,  
153, 153, 153,  
153, 153, 153, 153, 153, 153, 153, 153, 153, 153, 153, 153, 153, 153, 153, 153, 153,  
153, 153, 153,  
153, 153, 153, 153, 153, 153, 153, 153, 153, 153, 153, 153, 153, 153, 153, 153,  
153, 153, 153,  
153, 153, 153, 153, 153, 153, 153, 153, 153, 153, 153, 153, 153, 153, 153, 153,  
153, 153, 153,  
153, 153, 153, 153, 153, 153, 153, 153, 153, 153, 153, 153, 153, 153, 153, 153,  
153, 153, 153,  
153, 153, 153, 153, 153, 153, 153, 153, 153, 153, 153, 153, 153, 153, 153, 41, 153,  
153, 153, 153,  
41, 153, 153, 41, 153, 146, 146, 146, 41, 153, 34, 153, 34, 41, 41, 41, 153, 146, 34,  
34,  
41, 34, 153, 41, 146, 146, 34, 34, 41, 34, 146, 34, 34, 34, 34, 242, 47, 102, 102, 102,  
226, 238, 238, 238, 235, 190, 235, 187, 187, 179, 179, 179, 51, 115, 51, 51, 51, 83,  
51, 51,  
51, 61, 211, 51, 61, 211, 221, 61, 221, 221, 216, 221, 216, 136, 216, 216, 141, 136,  
136, 141,  
141, 136, 136, 136, 141, 136, 141, 141, 136, 136, 136, 136, 136, 136, 136, 56, 136,  
131, 136, 131,  
0, 128, 0, 128, 136, 136, 136, 136, 136, 51, 51, 51, 51, 59, 187, 187, 187, 177, 17,  
17,  
17, 17, 22, 97, 97, 102, 102, 102, 255, 255, 255, 111, 255, 255, 111, 111, 111, 255,  
255, 255,  
255, 111, 246, 246, 255, 255, 255, 255, 47, 242, 255, 242, 255, 47, 255, 47, 242, 34,  
242, 242,

47, 34, 34, 34, 242, 34, 34, 242, 34, 34, 34, 34, 34, 34, 41, 34, 146, 34, 34, 146,  
41, 34, 146, 146, 146, 146, 41, 34, 146, 146, 41, 146, 146, 146, 146, 146, 153, 41,  
146, 153,  
146, 153, 153, 153, 153, 146, 153, 153, 153, 153, 153, 153, 153, 153, 153, 153, 153,  
153, 153, 153,  
153, 153, 153, 153, 153, 153, 153, 153, 153, 153, 153, 153, 153, 153, 153, 153, 153,  
153, 153, 153,  
153, 153, 153, 153, 153, 153, 153, 153, 153, 153, 153, 153, 153, 153, 153, 153,  
153, 153, 153,  
153, 153, 153, 153, 153, 153, 153, 153, 153, 153, 153, 153, 153, 153, 153, 153,  
153, 153, 153,  
153, 153, 153, 153, 153, 153, 153, 153, 153, 153, 153, 153, 153, 153, 153, 153,  
153, 153, 153,  
153, 153, 153, 153, 153, 153, 153, 153, 153, 153, 153, 153, 153, 153, 153, 153,  
153, 41, 153,  
153, 41, 41, 146, 146, 153, 153, 41, 146, 41, 153, 34, 153, 153, 34, 146, 34, 41, 41,  
153,  
34, 153, 34, 34, 34, 34, 41, 34, 34, 34, 34, 34, 34, 255, 38, 98, 98, 230, 238,  
238, 238, 238, 235, 235, 235, 187, 190, 187, 183, 187, 91, 115, 51, 51, 51, 51, 51,  
51, 51,  
51, 51, 221, 221, 211, 221, 61, 221, 61, 211, 211, 216, 136, 141, 136, 141, 136, 141,  
141, 136,  
216, 136, 136, 141, 136, 136, 136, 136, 136, 131, 136, 56, 136, 56, 56, 136, 131,  
136, 136, 136,  
8, 0, 128, 8, 8, 8, 136, 136, 136, 136, 131, 51, 51, 51, 51, 187, 187, 187, 187, 177,  
17, 17, 17, 17, 102, 22, 102, 102, 255, 242, 255, 255, 255, 255, 255, 255, 246,  
255, 246,  
255, 255, 255, 255, 255, 255, 255, 255, 255, 242, 242, 255, 47, 242, 34, 34, 47, 47,  
34, 47,  
34, 47, 34, 34, 34, 34, 34, 34, 34, 34, 34, 34, 146, 41, 34, 34, 34, 146, 146, 34,  
146, 41, 41, 34, 41, 41, 146, 153, 41, 41, 146, 41, 41, 41, 41, 34, 146, 153, 41,  
41, 41, 34, 146, 146, 153, 146, 146, 146, 146, 153, 41, 153, 153, 146, 153, 153, 153,  
153, 153,



153, 153,

153, 153, 153, 153, 153, 153, 153, 153, 153, 153, 153, 153, 153, 153, 153, 153, 153, 153, 153, 153,

153, 153, 153, 153, 153, 153, 153, 153, 153, 153, 146, 146, 153, 41, 153, 153, 153, 41, 34, 146,

146, 34, 34, 34, 41, 34, 41, 41, 34, 41, 146, 146, 146, 153, 41, 146, 34, 41, 34, 153, 41, 41, 34, 146, 34, 34, 34, 34, 34, 34, 34, 242, 255, 34, 102, 46, 46, 46, 238, 238, 238, 190, 190, 235, 235, 231, 187, 187, 179, 187, 187, 59, 59, 179, 51, 51, 51, 51, 51, 51,

51, 51, 221, 51, 211, 211, 221, 61, 211, 221, 61, 51, 216, 216, 56, 56, 51, 131, 131, 141,

56, 56, 61, 51, 51, 61, 51, 131, 136, 56, 131, 136, 136, 136, 136, 136, 136, 136, 136, 128,

0, 0, 8, 8, 8, 8, 128, 8, 136, 136, 136, 136, 136, 56, 51, 51, 51, 51, 59, 187, 187, 187, 17, 17, 17, 17, 97, 97, 22, 246, 102, 102, 111, 246, 255, 255, 255, 255, 255, 255,

255, 255, 255, 255, 255, 255, 255, 255, 242, 242, 255, 242, 47, 242, 34, 47, 34, 34, 34, 47,

34, 34, 242, 34, 34, 34, 34, 34, 34, 34, 34, 34, 41, 34, 34, 146, 34, 146, 146, 34, 34, 153, 34, 146, 146, 146, 41, 146, 153, 41, 46, 187, 59, 59, 59, 59, 59, 51, 187, 59, 59, 59, 59, 51, 51, 179, 59, 59, 51, 179, 179, 59, 59, 219, 179, 51, 59, 59, 190, 105, 153, 153, 153, 153, 153, 153, 153, 153, 153, 153, 235, 179, 179, 179, 187, 59, 179, 187, 59, 179,

187, 59, 179, 179, 179, 187, 59, 179, 179, 187, 59, 59, 179, 179, 187, 59, 59, 59, 179, 187,

190, 233, 153, 153, 153, 153, 153, 153, 153, 153, 153, 153, 153, 153, 145, 123, 179, 187, 59, 179,

187, 59, 179, 187, 59, 179, 114, 153, 153, 153, 153, 153, 153, 153, 153, 153, 153,

153, 153, 153, 153, 187, 179, 179, 59, 51, 59, 51, 51, 179, 59, 59, 59, 41, 146, 146, 146, 19, 179, 51,



189, 179, 179, 59, 219, 59, 219, 51, 187, 118, 146, 153, 41, 34, 146, 41, 153, 146,  
153, 34,  
146, 146, 146, 34, 146, 146, 41, 34, 34, 34, 242, 38, 38, 110, 46, 46, 238, 238, 238,  
238,  
238, 235, 231, 187, 123, 187, 187, 183, 183, 55, 51, 115, 53, 51, 51, 51, 51, 83, 51,  
51,  
51, 51, 51, 123, 61, 51, 51, 211, 61, 51, 211, 221, 51, 211, 131, 211, 211, 61, 56, 51,  
216, 51, 131, 136, 136, 56, 136, 56, 131, 136, 136, 136, 136, 136, 136, 136, 136, 8,  
8, 8,  
0, 128, 0, 0, 0, 0, 8, 128, 8, 8, 136, 136, 136, 136, 136, 56, 51, 51, 51, 51,  
187, 187, 187, 187, 17, 17, 17, 22, 97, 97, 102, 102, 102, 102, 102, 246, 255, 255,  
255, 255,  
255, 255, 255, 255, 255, 255, 255, 47, 255, 47, 242, 255, 255, 47, 242, 242, 47, 47,  
47, 34,  
242, 242, 34, 242, 47, 34, 34, 34, 34, 34, 34, 34, 34, 146, 34, 146, 34, 34, 146, 146,  
34, 41, 34, 41, 41, 146, 41, 34, 146, 33, 213, 119, 119, 119, 119, 119, 119, 119, 119,  
119,  
119, 119, 119, 119, 119, 119, 119, 119, 119, 119, 119, 119, 119, 119, 119, 119, 117,  
181, 179, 30,  
153, 153, 153, 153, 153, 153, 153, 153, 153, 153, 153, 213, 119, 119, 119, 119, 119, 119,  
119, 119, 119,  
119, 119, 119, 119, 119, 119, 119, 119, 119, 119, 119, 119, 119, 119, 119, 119, 119,  
119, 119, 119,  
215, 215, 190, 153, 153, 153, 153, 153, 153, 153, 153, 153, 153, 153, 45, 215, 119,  
119, 119, 119,  
119, 119, 119, 119, 119, 125, 62, 153, 153, 153, 153, 153, 153, 153, 153, 153, 153,  
153, 153, 153,  
150, 213, 119, 119, 119, 119, 119, 119, 119, 119, 119, 119, 221, 233, 153, 153, 150,  
189, 119, 119,  
119, 119, 119, 119, 119, 119, 119, 119, 221, 182, 146, 41, 41, 153, 153, 146, 34, 41,  
34, 146,  
34, 34, 34, 146, 34, 34, 34, 34, 34, 47, 38, 34, 102, 34, 238, 226, 238, 238, 238, 238,

190, 190, 187, 235, 187, 227, 231, 179, 187, 179, 183, 51, 187, 179, 55, 51, 51, 51,  
51, 51,  
51, 51, 51, 55, 51, 211, 211, 61, 51, 211, 61, 51, 211, 61, 51, 61, 61, 51, 211, 211,  
51, 211, 56, 51, 51, 131, 131, 136, 56, 136, 136, 136, 136, 136, 136, 136, 8, 128,  
136, 136,  
0, 0, 128, 128, 128, 128, 128, 8, 128, 136, 8, 136, 136, 136, 131, 131, 136, 51, 51,  
51,  
51, 59, 187, 187, 187, 17, 17, 17, 17, 102, 22, 22, 102, 102, 102, 111, 111, 111, 255,  
255,  
255, 255, 255, 255, 255, 255, 255, 242, 242, 242, 47, 34, 34, 242, 47, 34, 242, 34,  
242, 34,  
34, 47, 34, 34, 34, 34, 34, 34, 34, 34, 34, 146, 34, 34, 34, 34, 34, 146, 34, 41,  
41, 34, 146, 146, 146, 41, 146, 153, 34, 43, 211, 167, 123, 167, 123, 167, 122, 183,  
122, 123,  
167, 122, 186, 122, 186, 119, 171, 122, 123, 167, 122, 58, 122, 183, 122, 123, 122,  
170, 119, 83,  
190, 153, 153, 153, 153, 153, 153, 153, 153, 146, 61, 183, 119, 183, 119, 119, 183,  
119, 119, 183,  
119, 119, 183, 119, 119, 123, 119, 119, 183, 119, 123, 119, 119, 119, 183, 119, 171,  
119, 119, 119,  
167, 167, 115, 222, 41, 153, 153, 153, 153, 153, 153, 153, 153, 153, 229, 55, 183,  
119, 183, 119,  
183, 119, 123, 119, 119, 181, 222, 153, 153, 153, 153, 153, 153, 153, 153, 153, 153,  
153, 153, 153,  
158, 115, 119, 123, 119, 119, 123, 167, 123, 167, 123, 119, 213, 98, 41, 146, 46, 93,  
119, 119,  
186, 119, 186, 119, 171, 119, 171, 167, 125, 54, 41, 153, 146, 146, 34, 41, 153, 146,  
153, 34,  
146, 146, 146, 34, 146, 34, 34, 34, 47, 38, 34, 110, 34, 238, 46, 238, 238, 238, 238,  
235,  
231, 231, 238, 123, 231, 183, 179, 187, 115, 187, 179, 59, 51, 55, 51, 53, 179, 179,  
51, 51,  
51, 51, 51, 61, 51, 51, 51, 51, 51, 51, 51, 51, 51, 51, 51, 51, 51, 51, 51, 51, 51,

131, 56, 131, 136, 136, 56, 136, 136, 136, 136, 136, 136, 128, 136, 8, 8, 128, 136, 8,  
8,  
8, 0, 0, 0, 0, 8, 0, 128, 8, 0, 128, 128, 136, 136, 136, 136, 131, 136, 131, 51,  
51, 51, 51, 187, 187, 187, 177, 17, 17, 17, 97, 102, 22, 102, 102, 102, 255, 246, 246,  
246,  
255, 255, 255, 255, 255, 255, 47, 47, 47, 255, 242, 255, 255, 47, 34, 242, 47, 47, 34,  
242,  
242, 34, 34, 34, 242, 34, 34, 34, 34, 34, 34, 34, 41, 34, 146, 146, 146, 34, 41, 34,  
34, 146, 41, 34, 41, 34, 41, 34, 34, 107, 93, 221, 61, 221, 221, 221, 221, 221, 221,  
221,  
221, 221, 221, 221, 221, 221, 221, 221, 221, 221, 221, 221, 221, 221, 221, 221, 221,  
215, 186, 170,  
83, 190, 153, 153, 153, 153, 153, 153, 153, 158, 221, 221, 221, 221, 211, 221, 221,  
221, 211, 221,  
221, 61, 221, 221, 61, 61, 221, 211, 221, 221, 61, 221, 221, 61, 221, 221, 221, 221,  
211, 221,  
61, 123, 122, 125, 222, 153, 153, 153, 153, 153, 153, 153, 153, 153, 227, 221, 221,  
221, 221, 221,  
221, 221, 221, 221, 211, 221, 58, 41, 153, 153, 153, 153, 153, 153, 153, 153, 153,  
153, 153, 153,  
158, 221, 211, 221, 221, 211, 221, 221, 221, 221, 221, 221, 211, 226, 153, 153, 34,  
61, 211, 221,  
221, 221, 221, 221, 221, 221, 221, 221, 221, 126, 34, 34, 153, 41, 153, 146, 34, 34,  
34, 153,  
41, 41, 34, 146, 34, 34, 34, 34, 38, 34, 110, 34, 238, 238, 233, 238, 238, 238, 231,  
231,  
235, 235, 187, 183, 187, 187, 187, 123, 187, 115, 183, 179, 55, 51, 179, 59, 51, 91,  
55, 51,  
51, 51, 51, 59, 51, 51, 51, 51, 51, 51, 51, 51, 51, 51, 51, 51, 211, 221, 56,  
56, 131, 136, 56, 216, 136, 216, 136, 136, 141, 128, 128, 136, 8, 136, 128, 136, 136,  
136, 136,  
0, 128, 128, 128, 128, 128, 8, 8, 128, 136, 136, 8, 136, 136, 136, 136, 136, 131, 56,  
131,

131, 51, 51, 51, 59, 187, 187, 177, 17, 17, 17, 97, 102, 22, 102, 102, 255, 102, 111,  
255,  
255, 255, 255, 255, 255, 242, 242, 255, 242, 34, 255, 34, 34, 242, 255, 47, 34, 34,  
34, 34,  
34, 242, 47, 34, 34, 47, 34, 34, 34, 34, 41, 34, 34, 34, 34, 34, 34, 41, 34, 41,  
41, 41, 34, 146, 146, 153, 146, 153, 146, 107, 221, 221, 221, 93, 221, 221, 221, 221,  
221, 221,  
221, 221, 221, 221, 221, 221, 221, 221, 215, 221, 221, 221, 221, 221, 221, 221, 221,  
221, 221, 215,  
167, 221, 233, 153, 153, 153, 153, 153, 153, 146, 213, 221, 61, 221, 221, 221, 221,  
211, 221, 221,  
221, 221, 221, 221, 221, 221, 125, 221, 215, 221, 221, 221, 221, 221, 215, 221, 221,  
221, 221, 221,  
215, 221, 215, 170, 125, 222, 153, 153, 153, 153, 153, 153, 153, 153, 237, 83, 213,  
61, 215, 221,  
215, 221, 61, 83, 221, 221, 222, 41, 153, 153, 153, 153, 153, 153, 153, 153, 153,  
153, 153, 153,  
46, 221, 221, 221, 221, 221, 221, 221, 221, 221, 221, 221, 221, 98, 41, 146, 238, 61,  
221, 221,  
125, 221, 221, 221, 221, 221, 221, 221, 221, 62, 34, 153, 41, 153, 41, 41, 153, 153,  
146, 34,  
34, 34, 34, 34, 34, 34, 34, 34, 38, 34, 98, 34, 238, 158, 158, 238, 238, 238, 238,  
238,  
126, 190, 126, 187, 235, 235, 123, 187, 187, 187, 179, 183, 179, 187, 55, 179, 179,  
179, 51, 55,  
59, 115, 55, 51, 51, 179, 179, 51, 179, 59, 51, 51, 51, 51, 51, 61, 51, 51, 51, 131,  
211, 136, 221, 216, 61, 136, 136, 216, 136, 128, 136, 136, 136, 136, 136, 136, 136,  
136, 136, 136,  
128, 8, 8, 8, 8, 8, 128, 128, 136, 0, 128, 136, 8, 8, 136, 136, 136, 136, 136, 56,  
51, 51, 51, 51, 51, 59, 187, 187, 187, 17, 17, 17, 30, 102, 22, 102, 102, 111, 102,  
102,  
246, 111, 255, 255, 255, 255, 255, 242, 255, 242, 34, 255, 255, 34, 34, 34, 242, 242,  
242, 242,

242, 34, 34, 34, 34, 34, 34, 34, 34, 34, 34, 34, 34, 146, 41, 34, 41, 41, 34, 41, 34,  
146, 34, 146, 41, 41, 34, 41, 34, 34, 107, 221, 215, 221, 61, 221, 215, 221, 125, 221,  
215,  
221, 221, 125, 215, 221, 125, 215, 221, 221, 221, 125, 215, 221, 125, 215, 221, 125,  
221, 215, 221,  
183, 167, 219, 233, 153, 153, 153, 153, 153, 158, 211, 213, 221, 125, 221, 215, 221,  
213, 221, 125,  
215, 221, 125, 215, 221, 221, 221, 221, 221, 215, 221, 125, 221, 221, 221, 215,  
221, 125, 221,  
221, 221, 221, 219, 119, 219, 25, 153, 153, 153, 153, 153, 153, 153, 237, 61, 211,  
221, 221, 221,  
221, 221, 221, 221, 221, 215, 222, 41, 153, 153, 153, 153, 153, 153, 153, 153, 153,  
153, 153, 153,  
46, 213, 61, 83, 215, 221, 215, 221, 125, 215, 221, 125, 221, 226, 153, 41, 158, 83,  
83, 221,  
221, 221, 125, 215, 221, 125, 221, 215, 221, 182, 105, 41, 146, 41, 34, 146, 34, 34,  
41, 146,  
146, 41, 41, 34, 34, 34, 34, 98, 110, 46, 238, 46, 238, 238, 158, 238, 238, 231, 231,  
235,  
235, 126, 183, 238, 183, 183, 190, 183, 183, 187, 123, 179, 187, 187, 179, 187, 123,  
187, 187, 179,  
179, 59, 179, 187, 187, 59, 59, 187, 59, 51, 51, 51, 51, 51, 61, 51, 211, 221, 221, 56,  
136, 136, 56, 136, 141, 136, 141, 136, 136, 136, 136, 136, 136, 136, 136, 131, 131,  
131, 131, 131,  
8, 128, 128, 136, 136, 128, 136, 8, 8, 136, 136, 8, 136, 136, 136, 136, 136, 136, 131,  
136,  
136, 131, 131, 51, 51, 51, 59, 187, 187, 187, 177, 17, 17, 17, 97, 97, 102, 102, 102,  
111,  
111, 246, 111, 255, 255, 255, 47, 47, 34, 255, 255, 34, 34, 255, 47, 47, 34, 34, 47,  
34,  
34, 34, 242, 34, 47, 34, 34, 34, 34, 34, 34, 34, 34, 41, 34, 34, 41, 34, 146,  
41, 41, 41, 146, 146, 41, 146, 153, 34, 235, 83, 221, 221, 221, 125, 221, 219, 221,  
125, 221,

215, 219, 221, 221, 221, 221, 221, 221, 125, 221, 221, 221, 221, 221, 221, 221, 221,  
125, 221, 221,  
221, 215, 181, 190, 153, 153, 153, 153, 153, 158, 61, 211, 221, 221, 125, 221, 215,  
211, 221, 221,  
221, 221, 221, 221, 221, 125, 221, 215, 221, 221, 221, 221, 221, 215, 221, 221, 189,  
221, 221, 215,  
221, 61, 125, 221, 218, 119, 219, 41, 153, 153, 153, 153, 153, 153, 181, 221, 93,  
221, 125, 221,  
125, 221, 125, 221, 125, 221, 209, 41, 153, 153, 153, 153, 153, 153, 153, 153, 153,  
153, 153, 153,  
46, 221, 221, 61, 221, 221, 221, 221, 221, 221, 221, 221, 215, 18, 41, 146, 238, 61,  
221, 215,  
221, 221, 221, 221, 221, 221, 215, 221, 221, 222, 34, 146, 153, 153, 153, 41, 153,  
153, 34, 41,  
41, 34, 34, 34, 34, 34, 102, 150, 41, 233, 41, 233, 233, 238, 238, 238, 238, 238, 238,  
231,  
238, 238, 235, 187, 126, 187, 187, 187, 187, 187, 187, 187, 190, 62, 123, 187, 187, 187,  
187, 187, 187,  
187, 187, 187, 179, 51, 179, 115, 51, 51, 51, 51, 51, 51, 61, 51, 211, 211, 211, 56,  
216,  
61, 56, 216, 136, 136, 136, 216, 131, 136, 131, 131, 131, 131, 51, 56, 56, 56, 136,  
56, 136,  
136, 136, 136, 51, 221, 136, 136, 136, 136, 8, 136, 136, 136, 136, 136, 136, 136,  
136, 56, 131,  
51, 56, 56, 51, 51, 51, 51, 51, 187, 187, 187, 177, 17, 17, 22, 22, 110, 102, 102, 102,  
102, 111, 111, 111, 255, 255, 255, 255, 255, 34, 242, 255, 47, 34, 242, 47, 34, 242,  
34, 47,  
34, 34, 34, 47, 34, 34, 34, 34, 34, 41, 34, 146, 34, 146, 34, 34, 146, 146, 146, 41,  
34, 146, 34, 34, 41, 146, 41, 34, 146, 235, 221, 93, 211, 221, 221, 221, 221,  
221, 221,  
221, 221, 221, 125, 221, 221, 125, 219, 221, 215, 221, 221, 215, 221, 189, 221, 221,  
221, 221, 218,

221, 125, 173, 219, 105, 153, 153, 153, 153, 158, 93, 221, 83, 221, 221, 221, 221,  
221, 221, 221,  
125, 221, 221, 125, 221, 221, 215, 221, 221, 125, 221, 215, 221, 189, 221, 125, 221,  
215, 221, 221,  
221, 93, 221, 53, 221, 55, 125, 185, 153, 153, 153, 153, 153, 153, 227, 221, 61, 221,  
221, 221,  
221, 221, 221, 221, 221, 221, 177, 105, 153, 153, 153, 153, 153, 153, 153, 153, 153,  
153, 153, 153,  
155, 93, 53, 221, 221, 215, 221, 215, 221, 221, 215, 221, 221, 226, 41, 153, 158, 83,  
221, 221,  
221, 211, 221, 125, 221, 219, 221, 221, 221, 174, 242, 153, 41, 34, 41, 146, 34, 34,  
146, 146,  
34, 34, 34, 34, 34, 98, 146, 226, 46, 46, 238, 238, 238, 233, 238, 238, 238, 238, 126,  
238,  
238, 183, 238, 126, 187, 238, 126, 231, 235, 231, 190, 183, 187, 187, 123, 231, 187,  
123, 123, 187,  
123, 187, 187, 187, 187, 179, 51, 179, 51, 51, 51, 51, 51, 61, 211, 221, 61, 61, 211,  
211,  
216, 216, 56, 56, 56, 51, 51, 56, 51, 56, 51, 56, 56, 136, 136, 131, 136, 136, 136,  
136,  
136, 136, 131, 122, 19, 216, 136, 136, 136, 136, 136, 136, 136, 136, 136, 136, 136,  
131, 136, 136,  
136, 131, 51, 131, 51, 51, 51, 179, 51, 187, 187, 187, 187, 17, 17, 17, 30, 225, 102,  
102,  
102, 246, 246, 255, 111, 255, 255, 255, 47, 255, 47, 47, 242, 242, 47, 34, 242, 47,  
34, 34,  
34, 242, 34, 34, 34, 34, 34, 34, 34, 34, 34, 34, 146, 34, 146, 41, 34, 34, 41, 34,  
146, 41, 153, 153, 146, 41, 146, 153, 34, 107, 221, 61, 213, 215, 221, 221, 125, 215,  
221, 125,  
221, 221, 125, 221, 215, 221, 221, 213, 221, 221, 221, 125, 221, 221, 221, 125, 218,  
221, 125, 221,  
221, 221, 218, 125, 126, 153, 153, 153, 153, 158, 61, 221, 61, 213, 61, 221, 125,  
221, 55, 221,

221, 181, 61, 221, 189, 221, 221, 221, 211, 221, 215, 221, 221, 221, 221, 215,  
221, 221, 125,  
219, 221, 221, 221, 221, 125, 173, 215, 41, 153, 153, 153, 153, 153, 189, 221, 221,  
83, 221, 125,  
221, 181, 61, 221, 219, 221, 81, 41, 153, 153, 153, 153, 153, 153, 153, 153, 153,  
153, 153, 153,  
46, 221, 211, 221, 125, 221, 221, 221, 211, 125, 221, 211, 125, 226, 41, 146, 238,  
61, 213, 61,  
215, 221, 125, 221, 221, 221, 83, 221, 221, 62, 34, 146, 146, 153, 146, 41, 153, 153,  
34, 41,  
34, 146, 34, 34, 34, 46, 226, 158, 226, 233, 233, 233, 233, 238, 238, 238, 238, 238,  
238, 231,  
231, 238, 190, 238, 238, 235, 235, 190, 190, 190, 235, 235, 231, 190, 190, 187, 235,  
187, 187, 235,  
187, 187, 115, 179, 53, 179, 179, 51, 51, 51, 51, 51, 51, 51, 51, 61, 51, 211, 211, 221,  
61,  
51, 51, 131, 51, 51, 56, 56, 51, 56, 51, 136, 131, 136, 56, 136, 136, 128, 136, 0, 0,  
136, 131, 131, 187, 115, 56, 56, 136, 136, 136, 136, 136, 136, 136, 136, 136, 131,  
136, 56, 51,  
131, 56, 131, 56, 51, 51, 51, 51, 179, 59, 59, 187, 187, 177, 17, 17, 225, 230, 30,  
102,  
102, 102, 102, 111, 255, 255, 255, 47, 242, 242, 255, 34, 47, 47, 34, 242, 47, 34, 47,  
34,  
34, 34, 47, 34, 34, 34, 34, 34, 34, 146, 41, 34, 34, 34, 34, 146, 34, 153, 34, 146,  
41, 34, 34, 34, 41, 34, 41, 34, 34, 235, 83, 221, 211, 221, 221, 125, 221, 221, 221,  
221,  
219, 93, 221, 221, 221, 215, 211, 221, 221, 125, 61, 221, 189, 215, 221, 221, 221,  
221, 221, 173,  
221, 221, 221, 183, 219, 41, 153, 153, 153, 158, 221, 83, 221, 211, 221, 125, 221,  
53, 221, 221,  
221, 221, 221, 221, 93, 125, 221, 218, 221, 215, 221, 211, 215, 221, 125, 221, 221,  
221, 221, 211,



221, 221, 125, 221, 221, 221, 218, 211, 25, 153, 153, 153, 153, 153, 229, 53, 61, 61,  
221, 221,  
221, 221, 221, 125, 213, 221, 49, 36, 153, 153, 153, 153, 153, 153, 153, 153, 153, 153,  
153, 153, 153,  
46, 221, 221, 221, 221, 221, 215, 221, 221, 221, 221, 221, 221, 226, 153, 146, 158,  
93, 61, 221,  
221, 221, 221, 221, 215, 221, 221, 215, 221, 190, 249, 41, 153, 146, 41, 146, 34, 34,  
153, 34,  
34, 34, 34, 34, 226, 41, 158, 233, 158, 158, 158, 158, 238, 233, 233, 238, 238, 238,  
238, 238,  
238, 238, 231, 238, 126, 231, 238, 231, 238, 235, 231, 238, 190, 235, 235, 235, 190,  
190, 187, 179,  
187, 179, 59, 51, 179, 51, 51, 51, 51, 51, 51, 51, 51, 51, 211, 61, 51, 51, 51, 51,  
51, 51, 51, 51, 61, 51, 51, 131, 131, 216, 131, 136, 136, 136, 136, 128, 136, 0, 136,  
8,  
51, 136, 56, 55, 51, 56, 131, 131, 51, 131, 131, 131, 131, 131, 131, 56, 51, 131, 131, 131,  
136,  
56, 51, 56, 51, 51, 51, 51, 179, 187, 179, 187, 187, 187, 27, 187, 17, 17, 17, 110, 30,  
230, 102, 102, 102, 246, 246, 255, 255, 255, 255, 47, 255, 34, 242, 255, 47, 34, 242,  
34, 242,  
47, 34, 34, 34, 242, 34, 34, 34, 34, 34, 34, 34, 34, 146, 146, 34, 146, 34, 146, 41,  
41, 41, 146, 153, 146, 153, 146, 153, 34, 107, 221, 213, 61, 221, 221, 221, 61, 221,  
221, 215,  
221, 221, 221, 215, 221, 221, 221, 125, 221, 221, 215, 221, 221, 221, 215, 221, 221,  
221, 221, 221,  
215, 221, 125, 83, 221, 114, 153, 153, 153, 158, 221, 61, 93, 213, 221, 221, 221,  
211, 221, 215,  
221, 221, 125, 221, 61, 221, 173, 221, 221, 221, 221, 221, 221, 221, 221, 125, 221,  
221, 125, 221,  
125, 221, 221, 219, 83, 221, 221, 173, 222, 153, 153, 153, 153, 153, 189, 221, 221,  
213, 61, 221,  
125, 221, 221, 221, 211, 215, 222, 105, 153, 153, 153, 153, 153, 153, 153, 153, 153,  
153, 153, 153,

155, 213, 53, 221, 221, 125, 221, 61, 221, 221, 215, 221, 221, 226, 41, 153, 238, 61,  
221, 213,  
61, 215, 221, 221, 221, 215, 221, 221, 221, 214, 34, 146, 146, 41, 146, 41, 153, 146,  
34, 34,  
146, 34, 34, 34, 158, 46, 233, 158, 233, 226, 238, 233, 233, 238, 238, 233, 238, 238,  
238, 238,  
238, 238, 238, 238, 238, 238, 238, 238, 231, 238, 235, 235, 235, 190, 123, 183, 187,  
179, 187, 123,  
53, 59, 51, 51, 51, 51, 51, 51, 51, 51, 51, 51, 51, 51, 51, 51, 51, 51, 51, 51,  
51, 51, 51, 61, 51, 136, 141, 136, 136, 136, 128, 136, 128, 0, 8, 0, 0, 128, 0, 0,  
131, 51, 51, 51, 51, 51, 51, 51, 131, 51, 51, 51, 51, 51, 51, 51, 51, 51, 51, 51,  
51, 51, 51, 51, 51, 51, 51, 51, 51, 59, 179, 187, 187, 187, 17, 177, 17, 30, 17, 238,  
110, 238, 102, 102, 102, 246, 246, 255, 47, 47, 242, 47, 242, 242, 34, 242, 242, 47,  
34, 34,  
34, 34, 34, 34, 34, 34, 34, 34, 41, 34, 34, 146, 146, 34, 34, 34, 41, 34, 41, 34,  
34, 146, 41, 34, 41, 34, 153, 41, 34, 235, 221, 211, 213, 221, 125, 221, 215, 221,  
125, 221,  
61, 221, 173, 221, 219, 83, 221, 221, 181, 61, 221, 221, 125, 221, 221, 215, 221,  
173, 215, 221,  
221, 221, 221, 221, 173, 62, 153, 153, 153, 158, 83, 221, 221, 61, 61, 221, 211, 93,  
221, 221,  
215, 221, 221, 125, 221, 221, 221, 221, 215, 221, 221, 173, 221, 125, 221, 221, 181,  
61, 221, 189,  
221, 125, 215, 221, 221, 125, 221, 215, 219, 153, 153, 153, 153, 153, 237, 211, 83,  
221, 213, 61,  
221, 215, 221, 221, 221, 221, 222, 41, 153, 153, 153, 153, 153, 153, 153, 153, 153,  
153, 153, 153,  
46, 211, 221, 53, 61, 221, 221, 215, 221, 125, 221, 218, 221, 226, 146, 153, 158, 83,  
213, 61,  
221, 61, 221, 125, 221, 221, 221, 125, 221, 161, 242, 153, 41, 146, 41, 146, 34, 34,  
146, 146,  
34, 34, 34, 46, 153, 233, 158, 233, 158, 46, 153, 238, 158, 158, 158, 238, 233, 238,  
158, 233,



179, 179, 179, 187, 179, 187, 51, 179, 59, 59, 179, 187, 187, 187, 27, 177, 187, 17,  
17, 238,  
238, 238, 110, 230, 102, 102, 102, 246, 38, 246, 47, 34, 242, 242, 242, 242, 47, 34,  
34, 34,  
242, 34, 34, 34, 34, 34, 34, 34, 34, 34, 34, 34, 34, 34, 34, 41, 34, 34, 41, 34, 146,  
146, 34, 41, 34, 41, 41, 153, 41, 34, 235, 221, 213, 61, 221, 221, 125, 221, 215, 221,  
221,  
125, 221, 221, 215, 221, 221, 125, 218, 221, 215, 221, 125, 221, 221, 221, 125, 219,  
221, 221, 221,  
221, 221, 93, 221, 221, 221, 233, 153, 153, 46, 221, 221, 213, 221, 61, 221, 221,  
221, 221, 221,  
125, 61, 221, 221, 221, 215, 221, 221, 189, 221, 221, 221, 125, 221, 221, 221, 125,  
215, 221, 61,  
221, 221, 125, 215, 221, 221, 221, 221, 173, 190, 153, 153, 153, 153, 237, 53, 61,  
213, 61, 221,  
61, 221, 221, 221, 189, 221, 177, 105, 153, 153, 153, 153, 153, 153, 153, 153, 153,  
153, 153, 153,  
155, 221, 221, 61, 215, 221, 221, 221, 221, 221, 125, 221, 221, 162, 41, 153, 158,  
93, 221, 83,  
211, 221, 93, 221, 221, 221, 215, 221, 221, 190, 242, 153, 41, 41, 41, 146, 41, 41,  
34, 146,  
34, 34, 34, 233, 146, 226, 158, 41, 158, 158, 153, 233, 153, 158, 238, 233, 238, 233,  
238, 158,  
238, 238, 238, 238, 238, 238, 238, 238, 235, 231, 235, 187, 187, 187, 187, 59, 59,  
179, 183, 59,  
183, 187, 187, 123, 55, 55, 179, 187, 187, 187, 59, 59, 51, 51, 51, 51, 51, 61, 221,  
221,  
61, 221, 61, 136, 136, 128, 128, 128, 128, 216, 128, 0, 8, 0, 8, 0, 0, 128, 0, 128,  
59, 51, 59, 51, 51, 51, 59, 51, 179, 187, 187, 187, 59, 59, 51, 187, 179, 187, 59, 179,  
187, 187, 187, 187, 187, 187, 187, 187, 187, 187, 187, 187, 187, 187, 177, 27, 17,  
17, 17, 17,  
30, 238, 230, 110, 110, 102, 102, 111, 98, 98, 102, 111, 47, 242, 47, 47, 34, 47, 47,  
34,

34, 242, 34, 34, 34, 34, 34, 34, 34, 146, 34, 146, 146, 146, 34, 34, 153, 34, 41, 34,  
41, 153, 146, 153, 146, 146, 41, 146, 146, 107, 221, 61, 221, 125, 221, 221, 221,  
221, 211, 125,  
221, 221, 125, 221, 221, 125, 221, 221, 221, 221, 221, 221, 221, 221, 173, 221, 221,  
213, 221, 173,  
221, 189, 221, 221, 215, 219, 210, 153, 153, 158, 213, 61, 211, 221, 221, 221, 221,  
125, 221, 221,  
221, 215, 221, 125, 221, 221, 221, 221, 221, 83, 221, 221, 221, 215, 221, 221, 221,  
221, 221, 215,  
215, 221, 221, 221, 221, 173, 221, 221, 221, 222, 153, 153, 153, 146, 189, 221, 221,  
211, 221, 93,  
221, 125, 221, 221, 221, 221, 209, 153, 153, 153, 153, 153, 153, 153, 153, 153, 153,  
153, 153, 153,  
46, 221, 213, 221, 221, 221, 221, 53, 61, 221, 221, 219, 221, 111, 153, 146, 238, 61,  
221, 61,  
221, 221, 61, 215, 221, 221, 221, 221, 189, 222, 34, 41, 146, 146, 146, 41, 146, 34,  
146, 41,  
34, 34, 34, 158, 34, 146, 233, 46, 233, 233, 238, 158, 238, 226, 153, 46, 41, 158,  
158, 233,  
233, 233, 238, 238, 238, 238, 126, 126, 190, 187, 183, 235, 123, 123, 187, 187, 115,  
187, 179, 187,  
59, 183, 227, 187, 187, 187, 187, 187, 187, 51, 179, 179, 51, 51, 51, 51, 51, 211, 61,  
61,  
221, 211, 216, 216, 141, 136, 136, 208, 136, 0, 8, 128, 128, 8, 0, 128, 0, 0, 128, 0,  
187, 187, 179, 187, 187, 187, 179, 187, 59, 51, 59, 51, 187, 187, 187, 187, 187, 187,  
187, 187,  
187, 187, 187, 187, 187, 177, 177, 187, 27, 27, 177, 177, 177, 17, 17, 177, 17, 17,  
225, 238,  
238, 238, 238, 230, 230, 102, 102, 102, 246, 38, 34, 47, 98, 255, 34, 242, 242, 34,  
34, 34,  
34, 34, 34, 34, 47, 34, 34, 34, 146, 34, 146, 34, 34, 34, 146, 146, 34, 146, 34, 41,  
34, 34, 41, 34, 41, 41, 146, 41, 34, 235, 93, 221, 221, 221, 215, 221, 215, 221, 221,  
221,

221, 221, 221, 221, 219, 221, 221, 173, 221, 125, 221, 221, 181, 61, 221, 221, 125,  
221, 221, 221,  
221, 93, 221, 221, 173, 215, 222, 153, 153, 233, 221, 221, 221, 221, 83, 215, 221,  
221, 215, 221,  
221, 221, 221, 221, 215, 221, 221, 218, 221, 221, 221, 125, 221, 221, 221, 221, 221,  
221, 221, 221,  
221, 221, 221, 221, 221, 221, 215, 221, 173, 215, 105, 153, 153, 153, 229, 221, 213,  
61, 221, 211,  
221, 221, 215, 221, 221, 215, 209, 41, 153, 153, 153, 153, 153, 153, 153, 153, 153,  
153, 153, 153,  
46, 221, 61, 53, 221, 215, 221, 221, 221, 125, 221, 221, 221, 226, 41, 153, 158, 83,  
213, 221,  
213, 221, 221, 221, 221, 215, 221, 221, 221, 126, 105, 146, 41, 41, 41, 146, 41, 146,  
41, 34,  
146, 146, 158, 153, 41, 233, 146, 41, 146, 150, 153, 105, 153, 146, 238, 233, 238,  
238, 226, 238,  
238, 238, 238, 238, 126, 126, 235, 235, 123, 126, 187, 187, 187, 187, 183, 187, 190,  
187, 123, 190,  
123, 238, 235, 187, 187, 187, 187, 179, 179, 179, 51, 51, 51, 51, 51, 61, 221, 61,  
211, 221,  
221, 221, 136, 128, 128, 8, 128, 136, 0, 141, 128, 8, 8, 0, 128, 0, 128, 128, 8, 0,  
187, 187, 187, 187, 187, 187, 187, 187, 187, 187, 187, 187, 187, 187, 187, 187, 187, 187,  
187, 187, 187,  
27, 177, 177, 27, 17, 177, 177, 177, 17, 17, 17, 17, 17, 17, 17, 17, 30, 17, 225, 30, 30,  
30, 238, 230, 238, 110, 102, 102, 102, 102, 102, 102, 98, 38, 47, 255, 47, 47, 242,  
34, 242,  
242, 34, 47, 34, 34, 34, 34, 34, 34, 34, 34, 34, 146, 34, 34, 34, 146, 41, 41, 34,  
146, 153, 34, 153, 146, 146, 153, 146, 34, 107, 221, 221, 125, 221, 221, 221, 221,  
221, 181, 221,  
215, 211, 221, 125, 221, 93, 221, 221, 221, 221, 215, 221, 221, 221, 221, 221, 221,  
221, 61, 221,  
221, 221, 215, 221, 221, 221, 219, 41, 153, 158, 211, 213, 53, 211, 221, 221, 221,  
221, 221, 221,



218, 221, 221, 221, 221, 125, 211, 221, 215, 221, 18, 153, 153, 153, 227, 213, 221,  
221, 61, 221,  
211, 221, 221, 221, 221, 221, 58, 41, 153, 153, 153, 153, 153, 153, 153, 153, 153,  
153, 153, 153,  
46, 221, 213, 221, 221, 93, 221, 221, 221, 221, 221, 221, 102, 153, 153, 158,  
93, 221, 213,  
221, 221, 61, 213, 61, 125, 221, 221, 221, 214, 242, 153, 34, 41, 41, 146, 153, 146,  
41, 41,  
34, 146, 146, 34, 153, 34, 146, 146, 150, 150, 153, 226, 41, 146, 238, 233, 226, 226,  
238, 238,  
238, 238, 238, 231, 235, 126, 190, 235, 231, 238, 190, 235, 238, 238, 238, 187, 238,  
187, 235, 187,  
227, 187, 179, 187, 179, 51, 115, 51, 51, 51, 51, 51, 51, 221, 61, 221, 211, 221,  
221,  
221, 216, 136, 8, 8, 216, 8, 141, 0, 13, 208, 136, 208, 8, 0, 0, 128, 8, 8, 0,  
179, 187, 187, 187, 187, 187, 187, 177, 187, 27, 27, 27, 27, 187, 177, 27, 27, 27,  
177, 177,  
27, 17, 177, 177, 17, 17, 17, 17, 30, 30, 30, 30, 238, 238, 238, 238, 238, 238, 238,  
238,  
238, 110, 110, 102, 230, 102, 102, 111, 102, 102, 38, 38, 102, 98, 246, 242, 255, 34,  
34, 242,  
34, 242, 34, 34, 34, 34, 34, 34, 146, 34, 146, 41, 34, 34, 34, 41, 34, 146, 41, 34,  
146, 146, 146, 153, 34, 146, 153, 34, 146, 107, 93, 211, 221, 221, 221, 221,  
221, 221, 221,  
221, 221, 125, 221, 215, 221, 221, 221, 221, 125, 221, 61, 215, 221, 221, 221, 221,  
221, 221, 221,  
221, 221, 221, 215, 221, 221, 221, 228, 153, 158, 61, 221, 221, 221, 221, 61, 221,  
93, 221, 221,  
221, 221, 221, 221, 221, 218, 221, 221, 215, 221, 221, 221, 221, 221, 221, 221, 221,  
221, 221, 125,  
221, 221, 221, 221, 221, 221, 221, 221, 221, 221, 210, 153, 153, 153, 125, 221, 61,  
221, 221, 221,



221, 221, 125, 221, 221, 221, 209, 41, 153, 153, 153, 153, 153, 153, 153, 153, 153,  
153, 153, 153,  
46, 221, 61, 61, 221, 61, 221, 221, 211, 221, 125, 221, 221, 98, 41, 146, 238, 61,  
221, 211,  
221, 221, 221, 221, 221, 221, 221, 221, 221, 190, 34, 146, 153, 146, 153, 41, 34, 41,  
146, 34,  
153, 34, 34, 146, 233, 34, 34, 41, 233, 34, 226, 146, 238, 238, 146, 238, 238, 238,  
238, 238,  
238, 231, 231, 238, 238, 238, 231, 238, 126, 238, 238, 238, 235, 235, 126, 238, 123,  
235, 187, 123,  
183, 187, 123, 51, 59, 51, 51, 51, 51, 51, 51, 51, 51, 51, 61, 51, 211, 211, 221, 211, 221,  
221, 136, 221, 221, 128, 128, 208, 208, 136, 128, 0, 0, 8, 0, 128, 208, 0, 0, 0, 8,  
59, 51, 59, 59, 187, 187, 187, 187, 187, 187, 187, 187, 177, 177, 17, 27, 17, 17, 17, 17,  
27,  
17, 27, 17, 17, 17, 17, 17, 30, 225, 225, 238, 238, 238, 238, 110, 110, 110, 110, 102,  
102,  
102, 102, 102, 102, 102, 102, 102, 246, 98, 98, 226, 98, 34, 38, 34, 38, 34, 242, 242,  
34,  
242, 34, 242, 34, 34, 34, 34, 34, 34, 34, 34, 34, 41, 41, 41, 34, 146, 41, 34, 146,  
41, 41, 41, 34, 153, 41, 146, 153, 34, 235, 221, 213, 221, 213, 61, 221, 215, 221,  
215, 221,  
221, 189, 221, 221, 221, 221, 221, 221, 221, 221, 221, 221, 221, 221, 221, 221, 221,  
221, 221, 125,  
221, 125, 221, 221, 221, 215, 221, 22, 146, 233, 221, 221, 221, 213, 61, 221, 221,  
61, 213, 221,  
215, 221, 221, 221, 221, 221, 221, 221, 221, 221, 215, 221, 221, 125, 221, 125, 221,  
221, 221, 221,  
221, 221, 221, 221, 125, 221, 221, 125, 221, 173, 58, 153, 153, 158, 227, 93, 221,  
93, 221, 83,  
221, 221, 221, 221, 221, 221, 177, 41, 153, 153, 153, 153, 153, 153, 153, 153, 153,  
153, 153, 153,  
155, 213, 221, 221, 93, 221, 221, 221, 213, 221, 221, 221, 221, 221, 226, 153, 153, 158,  
93, 221, 93,

221, 213, 61, 221, 221, 221, 221, 221, 221, 214, 34, 41, 146, 153, 34, 146, 153, 146,  
41, 153,  
34, 146, 146, 41, 146, 41, 34, 226, 158, 46, 158, 238, 146, 34, 238, 158, 158, 238,  
238, 158,  
238, 238, 238, 238, 238, 238, 238, 238, 238, 238, 238, 126, 238, 238, 235, 187, 190,  
187, 235, 187,  
187, 59, 59, 187, 53, 179, 51, 55, 51, 51, 51, 51, 51, 211, 221, 221, 61, 61, 221, 221,  
211, 221, 136, 128, 136, 216, 8, 13, 0, 8, 128, 141, 128, 128, 8, 8, 8, 0, 128, 0,  
51, 51, 51, 179, 51, 179, 59, 187, 187, 187, 187, 187, 187, 187, 177, 187, 27, 27, 17,  
17,  
17, 17, 17, 17, 17, 17, 17, 17, 30, 238, 225, 238, 238, 110, 238, 230, 230, 102, 102,  
102,  
102, 102, 102, 102, 102, 102, 102, 111, 38, 38, 102, 38, 102, 242, 102, 242, 255, 47,  
34, 242,  
34, 34, 34, 34, 34, 34, 34, 34, 34, 146, 41, 34, 34, 34, 34, 34, 41, 34, 146, 41,  
146, 34, 146, 153, 41, 146, 41, 34, 146, 107, 221, 211, 221, 211, 221, 221, 221, 221,  
221, 221,  
221, 93, 221, 221, 221, 221, 221, 221, 125, 221, 219, 93, 221, 221, 221, 125, 221,  
125, 221, 221,  
221, 221, 221, 125, 221, 221, 221, 127, 153, 158, 221, 93, 221, 61, 221, 221, 221,  
221, 211, 221,  
221, 221, 221, 125, 221, 221, 221, 215, 221, 221, 221, 221, 189, 221, 221, 221, 221,  
125, 215, 221,  
61, 221, 125, 221, 221, 221, 221, 221, 221, 221, 222, 41, 153, 153, 227, 221, 221,  
61, 221, 61,  
221, 93, 221, 221, 221, 125, 218, 105, 153, 153, 153, 153, 153, 153, 153, 153, 153,  
153, 153, 153,  
46, 221, 221, 221, 61, 221, 215, 221, 211, 221, 221, 221, 215, 22, 153, 158, 158, 61,  
221, 61,  
221, 211, 221, 213, 221, 221, 221, 221, 125, 190, 36, 146, 153, 41, 153, 153, 41, 41,  
146, 34,  
146, 34, 146, 34, 41, 226, 34, 146, 233, 233, 233, 146, 238, 238, 158, 238, 238, 233,  
238, 238,

238, 238, 233, 238, 238, 238, 238, 238, 238, 238, 238, 238, 235, 238, 183, 190, 231, 235,  
190, 55, 187,  
59, 179, 179, 51, 187, 51, 51, 51, 51, 51, 51, 51, 51, 61, 51, 211, 221, 221, 211, 221,  
141, 136, 216, 216, 128, 128, 136, 136, 216, 128, 216, 0, 8, 8, 0, 0, 0, 128, 8, 0,  
131, 51, 51, 51, 51, 51, 51, 51, 51, 179, 187, 187, 187, 187, 187, 187, 187, 187, 187, 177,  
177, 177,  
17, 17, 17, 17, 30, 22, 22, 238, 238, 30, 230, 30, 110, 230, 230, 110, 102, 230, 230,  
102,  
102, 102, 102, 102, 246, 255, 255, 246, 111, 98, 47, 98, 242, 98, 34, 98, 34, 242, 34,  
47,  
34, 242, 34, 242, 34, 34, 34, 34, 146, 34, 146, 41, 41, 34, 146, 153, 34, 41, 41, 34,  
41, 153, 41, 146, 146, 41, 146, 153, 34, 235, 221, 221, 221, 221, 221, 221, 221, 221,  
125, 221,  
221, 221, 221, 215, 221, 221, 125, 221, 221, 221, 221, 221, 221, 215, 221, 221, 221,  
221, 221, 221,  
221, 221, 221, 221, 221, 189, 221, 182, 146, 238, 93, 61, 213, 221, 221, 221, 83,  
221, 93, 221,  
221, 221, 221, 221, 211, 125, 221, 221, 221, 221, 125, 221, 213, 221, 221, 221, 221,  
221, 221, 221,  
221, 221, 221, 215, 221, 221, 125, 221, 215, 221, 209, 153, 153, 158, 115, 221, 221,  
221, 213, 221,  
221, 61, 221, 215, 221, 221, 209, 41, 153, 153, 153, 153, 153, 153, 153, 153, 153,  
153, 153, 153,  
46, 221, 211, 213, 221, 221, 216, 221, 221, 221, 221, 221, 221, 226, 153, 153, 238,  
93, 221, 221,  
221, 93, 221, 211, 221, 221, 125, 221, 221, 222, 38, 153, 146, 146, 146, 146, 146,  
146, 34, 153,  
34, 146, 34, 146, 226, 153, 233, 233, 158, 158, 46, 238, 34, 158, 233, 233, 233, 238,  
158, 238,  
158, 233, 238, 233, 238, 158, 238, 238, 238, 238, 238, 238, 183, 235, 235, 187, 187,  
187, 187, 187,  
115, 187, 123, 179, 83, 179, 51, 51, 51, 51, 51, 51, 51, 51, 211, 211, 61, 61, 211, 221,  
211,

216, 136, 141, 136, 136, 216, 141, 8, 8, 8, 13, 136, 128, 128, 141, 136, 128, 8, 0,  
128,  
136, 136, 131, 131, 51, 51, 51, 51, 51, 51, 51, 179, 179, 187, 187, 187, 187, 187,  
187, 187,  
187, 27, 17, 17, 17, 17, 225, 30, 30, 110, 238, 110, 238, 238, 97, 230, 238, 102, 110,  
102,  
230, 102, 111, 111, 111, 102, 98, 242, 246, 38, 111, 38, 255, 47, 98, 34, 98, 34, 255,  
34,  
34, 47, 34, 34, 34, 34, 34, 34, 34, 34, 34, 34, 34, 34, 34, 34, 41, 34, 34, 146,  
146, 34, 146, 41, 41, 146, 153, 34, 146, 107, 93, 221, 213, 61, 221, 93, 221, 221,  
221, 221,  
215, 221, 221, 221, 221, 221, 221, 221, 221, 221, 215, 221, 221, 221, 221, 221, 221,  
221, 215, 221,  
215, 221, 215, 221, 221, 213, 221, 62, 41, 158, 61, 221, 211, 221, 213, 61, 221, 221,  
61, 221,  
125, 221, 221, 221, 221, 221, 221, 221, 221, 221, 221, 221, 221, 221, 125, 221,  
221, 221, 221,  
215, 221, 221, 221, 221, 221, 221, 221, 221, 221, 209, 105, 153, 153, 237, 221, 213,  
61, 211, 221,  
213, 221, 221, 221, 221, 221, 62, 41, 153, 153, 153, 153, 153, 153, 153, 153, 153,  
153, 153, 153,  
158, 221, 93, 211, 221, 221, 93, 221, 221, 221, 215, 221, 221, 226, 153, 41, 158, 61,  
221, 83,  
221, 61, 221, 93, 221, 221, 221, 221, 221, 190, 41, 41, 41, 153, 146, 153, 41, 41,  
146, 34,  
146, 41, 34, 233, 146, 226, 158, 158, 41, 233, 233, 41, 238, 233, 238, 46, 238, 158,  
233, 158,  
233, 238, 233, 238, 238, 238, 238, 238, 238, 231, 231, 190, 238, 190, 190, 190, 190,  
183, 187, 179,  
187, 179, 51, 59, 179, 51, 115, 51, 51, 51, 51, 51, 51, 211, 221, 61, 211, 61, 211,  
221,  
136, 136, 141, 141, 136, 141, 8, 136, 128, 141, 128, 128, 8, 8, 208, 0, 8, 128, 128, 8,

136, 136, 136, 136, 136, 131, 51, 51, 51, 51, 51, 51, 51, 51, 51, 51, 59, 187, 187, 187,  
187,  
187, 187, 187, 177, 27, 17, 17, 17, 17, 30, 238, 238, 230, 230, 230, 110, 102, 230,  
102, 102,  
102, 102, 102, 102, 246, 242, 102, 246, 34, 98, 38, 34, 242, 98, 47, 255, 34, 242, 34,  
34,  
242, 34, 34, 34, 34, 34, 34, 34, 34, 146, 41, 41, 34, 146, 146, 146, 146, 153, 41, 41,  
41, 41, 153, 146, 146, 153, 41, 153, 34, 235, 221, 221, 211, 221, 221, 61, 221, 221,  
221, 221,  
221, 221, 221, 221, 221, 221, 221, 221, 221, 221, 221, 221, 221, 221, 221, 125, 221,  
189, 221, 221,  
221, 221, 221, 221, 221, 221, 221, 186, 146, 238, 93, 221, 221, 221, 211, 221, 221,  
221, 221, 221,  
221, 221, 221, 221, 221, 221, 221, 221, 221, 221, 221, 221, 221, 221, 221, 221, 221,  
221, 125, 221,  
221, 221, 221, 221, 221, 189, 221, 221, 125, 221, 218, 105, 153, 158, 227, 93, 61,  
221, 221, 221,  
211, 221, 221, 125, 221, 221, 222, 41, 153, 153, 153, 153, 153, 153, 153, 153, 153,  
153, 153, 153,  
43, 221, 61, 221, 221, 221, 61, 221, 215, 221, 221, 221, 221, 98, 41, 153, 238, 93,  
221, 61,  
221, 221, 221, 61, 221, 215, 221, 221, 61, 214, 105, 153, 153, 41, 153, 34, 146, 146,  
41, 146,  
34, 46, 146, 146, 226, 158, 153, 153, 158, 158, 158, 238, 153, 158, 153, 233, 146,  
233, 238, 233,  
238, 233, 238, 238, 158, 238, 238, 238, 238, 238, 238, 231, 187, 235, 123, 183, 187,  
187, 187, 183,  
179, 183, 187, 179, 59, 59, 51, 51, 51, 51, 51, 51, 51, 51, 51, 61, 211, 61, 211, 221, 61,  
56, 216, 216, 136, 136, 136, 136, 136, 136, 128, 136, 8, 141, 128, 8, 136, 128, 8, 8,  
128,  
136, 136, 136, 136, 136, 136, 136, 131, 136, 131, 59, 51, 51, 51, 51, 51, 51, 51, 51, 59,  
187,

187, 187, 187, 187, 187, 187, 177, 27, 17, 17, 17, 30, 30, 238, 110, 230, 230, 110,  
102, 102,  
102, 102, 102, 246, 102, 102, 38, 98, 102, 38, 242, 98, 255, 47, 242, 34, 47, 47, 34,  
242,  
47, 34, 47, 34, 34, 34, 34, 41, 34, 34, 34, 34, 146, 41, 41, 34, 34, 34, 146, 34,  
146, 146, 34, 41, 153, 34, 146, 146, 34, 107, 221, 221, 93, 221, 213, 221, 221, 125,  
221, 221,  
125, 221, 51, 61, 179, 219, 219, 219, 219, 219, 211, 221, 221, 221, 221, 221, 221,  
221, 221, 221,  
221, 221, 125, 221, 221, 125, 221, 214, 41, 158, 61, 221, 93, 221, 93, 221, 221, 93,  
221, 215,  
221, 221, 59, 219, 219, 211, 51, 59, 219, 219, 51, 219, 51, 61, 51, 221, 221, 221,  
221, 221,  
221, 221, 215, 221, 221, 221, 221, 221, 221, 221, 219, 41, 153, 153, 115, 221, 221,  
221, 93, 221,  
221, 221, 221, 221, 221, 221, 55, 105, 153, 153, 153, 153, 153, 153, 153, 153, 153,  
153, 153, 153,  
158, 221, 221, 221, 213, 221, 221, 221, 221, 221, 221, 221, 221, 228, 41, 146, 158,  
61, 221, 221,  
93, 221, 213, 221, 221, 221, 221, 221, 221, 126, 34, 146, 146, 146, 34, 153, 41, 41,  
34, 41,  
34, 153, 233, 233, 158, 153, 233, 233, 169, 233, 233, 153, 238, 233, 238, 158, 238,  
158, 158, 158,  
233, 238, 158, 158, 238, 238, 238, 238, 231, 238, 238, 190, 238, 190, 190, 187, 235,  
123, 183, 187,  
187, 179, 179, 179, 179, 179, 59, 51, 115, 51, 51, 51, 51, 51, 51, 61, 51, 61, 61, 61,  
211, 51, 131, 56, 136, 141, 136, 136, 136, 136, 141, 136, 136, 8, 136, 128, 128, 128,  
128, 8,  
8, 8, 136, 136, 136, 136, 136, 136, 131, 131, 187, 211, 51, 51, 51, 51, 51, 51, 51, 51,  
51, 179, 187, 187, 187, 187, 187, 187, 27, 17, 17, 17, 17, 17, 30, 225, 97, 102, 238,  
110,  
102, 102, 102, 102, 246, 246, 98, 102, 34, 111, 38, 47, 242, 242, 47, 47, 34, 34, 34,  
34,

34, 34, 34, 34, 34, 34, 34, 34, 34, 34, 41, 41, 34, 34, 34, 34, 41, 146, 146, 41, 153,  
41, 41, 153, 146, 34, 153, 41, 153, 146, 235, 221, 221, 61, 221, 221, 221, 221, 221,  
221, 221,  
221, 211, 187, 30, 190, 235, 225, 235, 225, 235, 225, 27, 187, 221, 221, 221, 215,  
221, 221, 221,  
221, 221, 221, 221, 219, 221, 221, 182, 41, 238, 93, 221, 61, 221, 61, 221, 221, 61,  
221, 221,  
221, 221, 219, 225, 238, 231, 238, 126, 238, 231, 238, 231, 238, 238, 113, 187, 61,  
221, 221, 221,  
125, 221, 221, 221, 215, 221, 215, 221, 221, 221, 219, 233, 153, 158, 227, 221, 221,  
221, 211, 221,  
93, 221, 221, 221, 221, 221, 222, 41, 153, 153, 153, 153, 153, 153, 153, 153, 153,  
153, 153, 153,  
46, 221, 93, 221, 211, 221, 221, 221, 221, 221, 221, 221, 221, 221, 226, 153, 153, 238,  
93, 221, 221,  
221, 221, 211, 221, 221, 221, 221, 221, 221, 221, 62, 34, 146, 153, 153, 153, 34, 146, 34,  
146, 34,  
34, 233, 146, 146, 233, 226, 146, 153, 146, 158, 146, 46, 153, 158, 146, 226, 41,  
238, 233, 238,  
46, 158, 238, 238, 233, 238, 238, 238, 238, 231, 231, 238, 190, 123, 235, 123, 190,  
190, 187, 187,  
187, 123, 187, 187, 59, 91, 179, 187, 51, 51, 179, 51, 51, 51, 51, 51, 61, 51, 51, 51,  
211, 221, 61, 131, 131, 136, 56, 136, 216, 136, 136, 136, 216, 136, 128, 136, 136,  
136, 8, 141,  
0, 136, 8, 8, 8, 136, 136, 136, 136, 136, 141, 131, 136, 131, 131, 51, 51, 51, 51, 51,  
51, 59, 51, 51, 59, 187, 187, 187, 187, 187, 187, 177, 17, 17, 17, 30, 30, 30, 238,  
230,  
110, 102, 102, 102, 102, 98, 102, 38, 102, 38, 98, 98, 111, 38, 34, 98, 38, 34, 255,  
47,  
34, 242, 34, 34, 34, 34, 34, 146, 41, 34, 34, 41, 41, 41, 41, 34, 41, 41, 34, 34,  
34, 146, 34, 153, 153, 41, 146, 34, 34, 107, 221, 221, 221, 221, 221, 221, 215, 141,  
221, 221,

221, 221, 177, 174, 238, 238, 238, 126, 238, 238, 231, 238, 235, 183, 221, 221, 221,  
221, 215, 221,  
215, 221, 221, 221, 221, 221, 221, 221, 218, 41, 158, 61, 221, 221, 221, 221, 221, 221,  
221, 221, 125,  
221, 221, 190, 126, 238, 238, 238, 238, 238, 238, 238, 238, 238, 238, 238, 238, 238, 235,  
221, 221, 221,  
221, 221, 221, 221, 221, 221, 221, 221, 221, 221, 221, 218, 105, 153, 153, 115, 221, 221,  
83, 221, 221,  
221, 221, 221, 221, 221, 215, 209, 41, 153, 153, 153, 153, 153, 153, 153, 153, 153,  
153, 153, 153,  
155, 221, 211, 221, 93, 221, 221, 83, 221, 221, 215, 221, 221, 226, 41, 153, 158, 61,  
221, 213,  
61, 221, 221, 221, 221, 221, 221, 221, 125, 222, 34, 153, 34, 34, 146, 146, 41, 41,  
41, 34,  
146, 146, 233, 233, 153, 153, 233, 46, 34, 41, 34, 153, 238, 105, 110, 150, 46, 34,  
158, 41,  
238, 226, 238, 158, 238, 238, 238, 238, 238, 238, 238, 238, 123, 238, 123, 238, 187,  
187, 187, 183,  
187, 187, 187, 183, 187, 187, 59, 59, 59, 179, 59, 59, 51, 51, 51, 51, 51, 51, 61, 51,  
61, 51, 211, 61, 56, 61, 131, 211, 136, 136, 136, 141, 136, 136, 136, 136, 136, 136,  
136, 136,  
128, 0, 128, 128, 128, 128, 136, 136, 136, 136, 136, 136, 136, 136, 131, 136, 136,  
51, 51, 51,  
51, 51, 51, 59, 51, 179, 179, 179, 187, 187, 187, 187, 187, 177, 17, 17, 17, 17, 225,  
225,  
238, 238, 230, 102, 102, 110, 102, 98, 98, 98, 102, 38, 34, 98, 98, 38, 34, 242, 34,  
34,  
34, 34, 242, 34, 34, 34, 146, 34, 34, 34, 41, 34, 34, 34, 146, 146, 146, 34, 146, 153,  
153, 41, 153, 34, 41, 146, 153, 153, 34, 107, 93, 221, 221, 221, 221, 221, 221, 221,  
221, 215,  
221, 211, 30, 98, 46, 158, 153, 158, 153, 158, 158, 153, 238, 235, 61, 221, 221, 221,  
221, 221,



221, 221, 221, 221, 181, 221, 221, 182, 34, 238, 93, 221, 221, 61, 221, 221, 213,  
221, 221, 221,  
221, 221, 62, 34, 153, 153, 153, 153, 158, 153, 153, 153, 158, 158, 153, 238, 126,  
189, 221, 221,  
221, 221, 221, 221, 221, 221, 221, 221, 221, 221, 219, 105, 153, 158, 227, 93, 221,  
61, 221, 221,  
221, 221, 215, 221, 221, 221, 209, 41, 153, 153, 153, 153, 153, 153, 153, 153, 153,  
153, 153, 153,  
46, 221, 221, 221, 61, 221, 221, 61, 221, 221, 221, 221, 221, 233, 153, 158, 158, 93,  
221, 211,  
221, 221, 93, 221, 221, 125, 221, 221, 221, 62, 34, 41, 153, 153, 41, 41, 146, 146,  
34, 146,  
34, 153, 146, 146, 226, 226, 158, 153, 46, 46, 34, 226, 153, 46, 153, 226, 226, 46,  
238, 238,  
34, 238, 158, 233, 233, 233, 233, 238, 238, 238, 238, 238, 238, 238, 235, 238, 187, 238,  
231, 238, 235,  
190, 187, 235, 187, 187, 187, 187, 187, 187, 187, 187, 183, 59, 59, 179, 179, 51, 51, 179,  
51, 51,  
51, 51, 51, 51, 51, 131, 56, 56, 51, 56, 51, 56, 56, 56, 131, 136, 56, 136, 56, 136,  
8, 8, 8, 8, 8, 8, 8, 8, 8, 128, 136, 136, 136, 136, 136, 136, 56, 136, 136, 56,  
51, 51, 51, 51, 51, 51, 59, 59, 59, 59, 187, 187, 187, 187, 187, 177, 177, 17, 17, 30,  
30, 30, 238, 238, 238, 102, 102, 110, 46, 102, 34, 98, 102, 38, 38, 34, 98, 98, 98, 34,  
242, 34, 34, 34, 34, 34, 34, 34, 41, 34, 34, 146, 146, 34, 41, 34, 153, 34, 34,  
34, 146, 41, 153, 146, 41, 41, 41, 34, 235, 221, 221, 213, 221, 221, 221, 221, 221,  
221, 221,  
221, 221, 18, 34, 153, 153, 158, 153, 158, 153, 153, 233, 233, 238, 189, 221, 221,  
221, 221, 221,  
221, 221, 221, 221, 221, 221, 221, 222, 153, 158, 61, 221, 213, 221, 213, 221, 211,  
221, 221, 221,  
221, 221, 186, 41, 153, 233, 158, 158, 153, 158, 158, 158, 153, 153, 233, 158, 158,  
235, 93, 221,  
221, 221, 221, 215, 221, 221, 221, 221, 215, 221, 219, 105, 153, 158, 115, 221, 221,  
221, 221, 213,

221, 221, 221, 221, 221, 120, 209, 41, 153, 153, 153, 153, 153, 153, 153, 153, 153,  
153, 153, 153,  
155, 221, 221, 221, 221, 221, 213, 221, 221, 213, 61, 221, 221, 226, 41, 153, 238,  
61, 221, 221,  
221, 221, 61, 221, 221, 221, 221, 221, 221, 222, 41, 146, 146, 41, 146, 146, 34, 34,  
146, 41,  
146, 233, 41, 233, 153, 146, 41, 46, 153, 41, 46, 158, 46, 34, 226, 34, 158, 41, 41,  
34,  
238, 158, 233, 238, 238, 238, 238, 238, 158, 238, 238, 238, 238, 238, 238, 238, 126,  
190, 187, 190,  
190, 126, 190, 123, 235, 235, 235, 123, 183, 187, 187, 187, 187, 55, 59, 187, 187,  
51, 179, 179,  
51,  
0, 128, 0, 0, 128, 128, 0, 128, 128, 136, 8, 136, 136, 136, 136, 136, 136, 136, 56,  
131,  
131, 131, 131, 51, 51, 51, 51, 51, 179, 179, 51, 187, 187, 187, 187, 187, 27, 177, 17,  
17,  
17, 225, 238, 30, 238, 238, 230, 102, 226, 102, 110, 102, 34, 98, 98, 98, 34, 34, 34,  
98,  
34, 34, 34, 34, 34, 34, 34, 41, 41, 34, 34, 146, 34, 41, 41, 34, 146, 34, 153, 146,  
153, 41, 146, 34, 153, 146, 153, 41, 146, 107, 221, 221, 221, 221, 215, 221, 221,  
221, 221, 221,  
221, 211, 230, 153, 153, 41, 153, 153, 153, 153, 153, 153, 158, 158, 235, 221, 221,  
221, 221, 221,  
125, 221, 221, 221, 125, 221, 221, 186, 34, 238, 93, 221, 211, 221, 221, 221, 221,  
221, 221, 221,  
221, 221, 178, 153, 153, 153, 153, 153, 153, 153, 153, 153, 153, 153, 153, 153, 233,  
126, 61, 221,  
221, 125, 221, 221, 221, 221, 215, 221, 221, 221, 219, 105, 153, 153, 227, 221, 221,  
221, 221, 211,  
221, 221, 221, 221, 221, 221, 222, 41, 153, 153, 153, 153, 153, 153, 153, 153, 153,  
153, 153, 153,

46, 221, 213, 221, 221, 221, 211, 221, 221, 221, 221, 221, 221, 233, 153, 153, 158,  
93, 221, 93,  
221, 221, 221, 221, 221, 221, 221, 221, 221, 221, 190, 34, 41, 41, 146, 41, 41, 153, 153,  
41, 158,  
153, 146, 34, 146, 46, 146, 46, 153, 46, 46, 153, 41, 34, 34, 34, 238, 105, 238, 238,  
46,  
146, 226, 46, 226, 46, 158, 158, 158, 238, 233, 238, 238, 238, 238, 238, 238, 238, 238,  
238, 238, 238,  
235, 235, 235, 235, 190, 187, 190, 187, 187, 187, 187, 187, 187, 187, 187, 187, 187, 59,  
59, 59, 59,  
187, 59, 187, 59, 59, 51, 179, 59, 51, 51, 179, 51, 51, 51, 179, 51, 51, 51, 51, 51,  
0, 0, 8, 8, 0, 8, 128, 128, 128, 0, 128, 128, 128, 136, 136, 136, 136, 136, 136, 136,  
136, 136, 56, 131, 51, 51, 51, 51, 51, 59, 59, 51, 51, 187, 187, 187, 187, 187, 187,  
177,  
177, 17, 17, 225, 238, 238, 238, 230, 110, 230, 98, 98, 230, 102, 38, 38, 102, 38, 34,  
38,  
34, 98, 34, 34, 34, 34, 41, 34, 34, 34, 146, 34, 34, 146, 34, 146, 41, 146, 34, 41,  
34, 146, 41, 153, 41, 41, 41, 146, 34, 107, 221, 221, 221, 221, 221, 221, 221, 221,  
221, 125,  
221, 221, 228, 41, 153, 153, 153, 153, 153, 153, 153, 153, 153, 153, 158, 231, 61, 93,  
221, 221, 221,  
221, 221, 221, 221, 221, 221, 221, 214, 41, 158, 61, 221, 221, 221, 221, 221, 221,  
221, 221, 93,  
221, 221, 190, 153, 153, 153, 153, 153, 153, 153, 153, 153, 153, 153, 153, 153, 153, 153,  
238, 125, 221,  
221, 221, 221, 221, 221, 221, 221, 221, 221, 221, 221, 215, 105, 153, 158, 115, 221, 221,  
93, 221, 221,  
221, 221, 221, 221, 221, 221, 222, 41, 153, 153, 153, 153, 153, 153, 153, 153, 153,  
153, 153, 153,  
158, 221, 221, 221, 221, 221, 221, 221, 221, 221, 221, 221, 221, 226, 41, 153, 238,  
61, 221, 61,  
221, 221, 221, 221, 83, 221, 221, 221, 221, 222, 34, 153, 153, 41, 146, 146, 34, 34,  
146, 41,

34, 153, 41, 34, 41, 34, 153, 46, 153, 41, 46, 46, 34, 233, 226, 153, 46, 153, 146,  
233,  
226, 46, 226, 158, 233, 238, 238, 226, 233, 238, 233, 238, 158, 238, 238, 238, 238,  
238, 238, 238,  
238, 238, 238, 238, 238, 238, 235, 238, 238, 238, 190, 235, 235, 190, 187, 187, 235,  
235, 187, 187,  
187, 187, 187, 187, 187, 187, 187, 187, 187, 187, 187, 187, 187, 187, 187, 187, 187, 187,  
187, 187, 187,  
0, 128, 128, 0, 0, 128, 8, 8, 8, 136, 8, 8, 8, 128, 136, 136, 136, 136, 136, 56,  
131, 56, 131, 136, 136, 51, 51, 51, 51, 51, 179, 187, 187, 59, 59, 187, 187, 187, 177,  
177,  
27, 17, 17, 30, 225, 238, 238, 238, 230, 102, 238, 46, 38, 38, 98, 98, 34, 98, 98, 34,  
34, 34, 38, 34, 34, 34, 34, 34, 34, 146, 34, 146, 146, 34, 146, 41, 34, 41, 153, 146,  
153, 41, 146, 146, 146, 153, 146, 153, 34, 107, 221, 221, 221, 221, 221, 221, 221,  
221, 221, 221,  
221, 221, 230, 153, 153, 153, 153, 153, 153, 153, 153, 153, 153, 153, 153, 238, 61, 221,  
221, 221, 221,  
221, 221, 221, 221, 221, 221, 221, 190, 153, 238, 93, 221, 221, 221, 221, 221, 221,  
221, 221, 61,  
221, 221, 178, 153, 153, 153, 153, 153, 153, 153, 153, 153, 153, 153, 153, 153, 153, 153,  
158, 125, 221,  
221, 221, 221, 221, 221, 221, 221, 221, 221, 221, 219, 105, 153, 158, 227, 221, 221,  
221, 221, 221,  
221, 221, 221, 221, 221, 221, 222, 41, 153, 153, 153, 153, 153, 153, 153, 153, 153,  
153, 153, 153,  
46, 221, 221, 221, 221, 221, 221, 221, 221, 221, 221, 221, 221, 233, 153, 153, 238,  
61, 221, 221,  
221, 221, 221, 221, 221, 221, 221, 221, 221, 190, 146, 158, 153, 41, 41, 41, 153,  
153, 233, 146,  
146, 233, 34, 153, 34, 158, 146, 41, 226, 46, 153, 41, 34, 158, 146, 102, 41, 102, 98,  
46,  
150, 233, 158, 233, 46, 41, 34, 46, 158, 233, 238, 158, 238, 158, 158, 238, 158, 238,  
238, 158,



238, 238, 238, 190, 30, 17, 17, 30, 177, 27, 27, 187, 27, 27, 187, 187, 187, 51, 179,  
179,  
0, 8, 0, 0, 8, 8, 8, 0, 8, 8, 8, 8, 0, 136, 8, 8, 136, 136, 136, 136,  
136, 136, 136, 136, 136, 56, 56, 51, 131, 51, 51, 51, 179, 51, 187, 59, 179, 187, 187,  
187,  
235, 27, 190, 187, 235, 235, 238, 238, 238, 238, 238, 46, 46, 46, 226, 46, 34, 98, 34,  
38,  
34, 34, 34, 34, 242, 34, 34, 34, 146, 34, 146, 146, 146, 41, 34, 153, 41, 41, 153, 146,  
146, 41, 41, 153, 41, 153, 153, 153, 34, 107, 221, 221, 221, 221, 221, 221, 221, 221,  
221, 221,  
221, 221, 226, 41, 153, 153, 153, 153, 153, 153, 153, 153, 153, 153, 153, 158, 189, 221,  
221, 221, 221,  
221, 221, 221, 221, 221, 221, 221, 218, 153, 238, 93, 221, 221, 221, 221, 221, 221,  
221, 221, 221,  
221, 221, 57, 153, 153, 153, 153, 153, 153, 153, 153, 153, 153, 153, 153, 153, 153, 153,  
153, 115, 221,  
221, 221, 221, 221, 221, 221, 221, 221, 221, 221, 219, 169, 153, 158, 227, 221, 213,  
221, 221, 221,  
221, 221, 221, 221, 221, 221, 222, 233, 153, 153, 153, 153, 153, 153, 153, 153, 153,  
153, 153, 153,  
46, 221, 221, 221, 221, 221, 221, 221, 221, 221, 221, 221, 221, 221, 233, 153, 153, 233,  
221, 221, 221,  
221, 221, 221, 221, 221, 221, 221, 221, 221, 58, 34, 153, 153, 41, 41, 41, 41, 153,  
146, 146,  
158, 153, 41, 146, 146, 41, 146, 146, 34, 233, 146, 41, 41, 98, 41, 34, 41, 34, 34,  
102,  
146, 98, 38, 34, 150, 146, 150, 150, 158, 34, 238, 46, 158, 34, 34, 226, 34, 233, 226,  
226,  
34, 238, 34, 226, 226, 226, 238, 46, 226, 238, 238, 46, 238, 238, 226, 238, 46, 238,  
238, 238,  
238, 238, 17, 225, 17, 17, 17, 187, 235, 187, 187, 187, 187, 187, 187, 179, 179, 187,  
59, 59,  
0, 0, 0, 8, 0, 0, 0, 8, 0, 128, 128, 136, 136, 0, 136, 128, 128, 136, 136, 136,

136, 56, 56, 56, 51, 51, 51, 131, 51, 51, 51, 179, 59, 59, 51, 179, 187, 187, 187, 187,  
187, 190, 187, 238, 190, 238, 190, 238, 238, 238, 226, 238, 238, 226, 46, 233, 230,  
46, 226, 98,  
38, 46, 38, 34, 34, 34, 34, 34, 34, 146, 34, 34, 41, 34, 146, 34, 34, 146, 41, 41,  
153, 153, 146, 146, 153, 41, 41, 41, 146, 107, 221, 221, 221, 221, 221, 221, 221,  
221, 221, 221,  
221, 221, 233, 153, 153, 153, 153, 153, 153, 153, 153, 153, 153, 153, 153, 238, 125, 221,  
221, 221, 221,  
221, 221, 221, 221, 221, 221, 221, 182, 46, 158, 61, 221, 221, 221, 221, 221, 221,  
221, 221, 221,  
221, 221, 62, 153, 153, 153, 153, 153, 153, 153, 153, 153, 153, 153, 153, 153, 153, 153,  
153, 237, 221,  
221, 221, 221, 221, 221, 221, 221, 221, 221, 221, 219, 105, 153, 153, 115, 221, 221,  
221, 221, 221,  
221, 221, 221, 221, 221, 221, 222, 153, 153, 153, 153, 153, 153, 153, 153, 153, 153,  
153, 153, 153,  
158, 221, 221, 221, 221, 221, 221, 213, 221, 221, 221, 221, 238, 153, 153, 238,  
61, 221, 221,  
221, 221, 221, 221, 221, 221, 221, 221, 221, 222, 146, 158, 146, 146, 146, 146, 153,  
34, 41, 41,  
41, 150, 146, 41, 41, 158, 146, 41, 41, 146, 34, 34, 34, 146, 38, 34, 38, 34, 34, 153,  
98, 34, 34, 38, 34, 38, 34, 226, 98, 102, 146, 105, 226, 102, 226, 46, 110, 46, 102,  
46,  
110, 98, 238, 46, 110, 110, 38, 226, 46, 46, 38, 226, 226, 226, 238, 238, 238, 238,  
238, 238,  
225, 225, 238, 30, 17, 27, 187, 235, 187, 27, 27, 187, 187, 187, 187, 187, 187, 187,  
187, 179,  
0, 0, 128, 0, 128, 8, 8, 0, 128, 128, 8, 0, 0, 136, 8, 8, 136, 128, 136, 136,  
136, 136, 136, 136, 136, 136, 131, 56, 51, 51, 51, 51, 51, 179, 179, 187, 59, 187,  
187, 187,  
190, 187, 235, 187, 235, 190, 238, 190, 238, 238, 238, 226, 226, 238, 226, 238, 34,  
233, 46, 34,  
98, 34, 41, 38, 34, 34, 34, 34, 34, 34, 146, 34, 41, 34, 153, 153, 41, 146, 146,









119, 125, 221, 221, 221, 221, 221, 221, 221, 221, 221, 221, 221, 221, 238, 153, 158, 158,  
61, 221, 221,  
221, 221, 221, 221, 221, 221, 221, 221, 221, 221, 62, 158, 153, 146, 153, 41, 146, 153,  
153, 153, 146,  
41, 34, 41, 41, 34, 34, 146, 146, 146, 146, 146, 34, 153, 34, 41, 34, 34, 34, 34, 34,  
34, 34, 98, 34, 34, 34, 34, 98, 98, 102, 38, 98, 34, 34, 98, 38, 38, 34, 98, 34,  
102, 46, 38, 98, 239, 102, 102, 38, 38, 102, 38, 102, 102, 102, 102, 102, 102, 102,  
110, 238,  
102, 230, 238, 238, 238, 225, 225, 225, 17, 17, 17, 17, 17, 235, 187, 187, 187, 187,  
187, 187,  
8, 0, 0, 136, 128, 136, 8, 128, 8, 128, 8, 136, 8, 136, 8, 136, 136, 136, 136, 136,  
56, 131, 56, 51, 56, 51, 51, 51, 51, 51, 59, 59, 179, 187, 187, 187, 187, 187, 187,  
190,  
190, 187, 190, 235, 238, 190, 238, 238, 238, 238, 158, 233, 233, 238, 34, 238, 34,  
233, 230, 105,  
98, 98, 233, 34, 34, 34, 34, 41, 34, 41, 34, 41, 41, 34, 146, 146, 153, 153, 41, 153,  
146, 153, 153, 153, 153, 153, 41, 146, 146, 107, 221, 221, 221, 221, 221, 221, 221,  
221, 221, 221,  
221, 221, 233, 153, 153, 153, 153, 153, 153, 153, 153, 153, 153, 153, 153, 153, 158, 189, 221,  
221, 221, 221,  
221, 221, 221, 221, 221, 221, 221, 221, 222, 158, 158, 93, 221, 221, 221, 221, 221, 221,  
221, 221, 221,  
221, 221, 57, 153, 153, 153, 153, 153, 153, 153, 153, 153, 153, 153, 153, 153, 153, 153,  
153, 227, 221,  
221, 221, 221, 221, 221, 221, 221, 221, 221, 221, 219, 41, 153, 158, 227, 221, 221,  
221, 221, 221,  
221, 221, 221, 221, 221, 221, 215, 215, 183, 55, 55, 55, 55, 215, 55, 215, 55, 215,  
215, 55,  
51, 221, 221, 221, 221, 221, 221, 221, 221, 221, 221, 221, 221, 221, 25, 153, 153, 238,  
93, 221, 221,  
221, 221, 221, 221, 221, 221, 221, 221, 221, 222, 153, 153, 153, 41, 146, 153, 146,  
146, 146, 41,  
146, 153, 146, 34, 146, 146, 41, 34, 34, 34, 41, 34, 98, 34, 34, 34, 146, 34, 34, 34,

34, 34, 34, 98, 34, 34, 98, 34, 34, 34, 34, 38, 38, 102, 38, 98, 98, 102, 38, 102,  
34, 98, 98, 102, 246, 38, 102, 102, 102, 38, 102, 102, 98, 102, 102, 102, 102, 110,  
230, 102,  
238, 238, 238, 238, 238, 238, 30, 30, 30, 17, 17, 27, 27, 177, 27, 27, 187, 187, 187,  
179,  
0, 136, 128, 0, 136, 8, 128, 136, 128, 136, 136, 8, 136, 136, 136, 136, 136, 136, 56,  
51,  
131, 56, 51, 131, 51, 51, 51, 51, 59, 59, 51, 187, 59, 187, 187, 187, 187, 190, 190,  
187,  
235, 238, 235, 238, 238, 238, 238, 238, 238, 238, 238, 238, 238, 34, 238, 34, 230,  
38, 34, 38,  
34, 34, 150, 34, 34, 34, 34, 34, 34, 34, 34, 34, 34, 34, 41, 41, 41, 41, 41, 153, 146,  
153, 153, 153, 153, 153, 153, 153, 153, 34, 107, 221, 221, 221, 221, 221, 221, 221,  
221, 221, 221,  
221, 221, 238, 153, 153, 153, 153, 153, 153, 153, 153, 153, 153, 153, 153, 153, 158, 189, 221,  
221, 221, 221,  
221, 221, 221, 221, 221, 221, 221, 214, 153, 238, 61, 221, 221, 221, 221, 221, 221,  
221, 221, 221,  
221, 221, 62, 153, 153, 153, 153, 153, 153, 153, 153, 153, 153, 153, 153, 153, 153, 153,  
153, 229, 221,  
221, 221, 221, 221, 221, 221, 221, 221, 221, 221, 221, 41, 153, 233, 115, 221, 221,  
221, 221, 221,  
221, 221, 221, 221, 221, 221, 208, 221, 208, 208, 208, 221, 208, 221, 208, 221, 208,  
221, 216, 221,  
221, 221, 221, 221, 221, 221, 221, 221, 221, 221, 221, 221, 221, 238, 153, 153, 158,  
61, 221, 221,  
221, 221, 221, 221, 221, 221, 221, 221, 221, 222, 158, 153, 41, 153, 153, 41, 41, 41,  
153, 153,  
41, 146, 153, 146, 34, 41, 34, 41, 41, 41, 34, 41, 146, 146, 34, 34, 34, 146, 34, 34,  
34, 98, 34, 34, 98, 98, 38, 38, 38, 38, 38, 34, 34, 34, 34, 38, 38, 47, 98, 242,  
102, 38, 102, 38, 98, 102, 242, 102, 102, 102, 102, 102, 102, 110, 102, 230, 110,  
102, 102, 238,

110, 110, 110, 238, 17, 17, 225, 17, 17, 17, 17, 17, 177, 27, 177, 187, 187, 27, 187,  
187,  
136, 0, 136, 136, 128, 136, 8, 136, 136, 136, 136, 136, 136, 136, 136, 131, 131, 56,  
51, 131,  
51, 51, 51, 51, 51, 51, 59, 59, 179, 187, 187, 187, 187, 187, 187, 177, 17, 235, 235,  
238,  
190, 235, 238, 238, 238, 238, 238, 238, 233, 233, 233, 226, 158, 238, 34, 226, 34,  
226, 98, 98,  
98, 38, 34, 34, 34, 38, 34, 34, 34, 146, 146, 146, 146, 146, 34, 146, 146, 153, 146,  
153,  
153, 153, 153, 153, 153, 153, 153, 41, 146, 107, 221, 221, 221, 221, 221, 221, 221,  
221, 221, 221,  
221, 221, 233, 153, 153, 153, 153, 153, 153, 153, 153, 153, 153, 153, 153, 153, 189, 221,  
221, 221, 221,  
221, 221, 221, 221, 221, 221, 221, 222, 153, 158, 93, 221, 221, 221, 221, 221, 221,  
221, 221, 221,  
221, 221, 62, 126, 238, 158, 233, 233, 233, 233, 233, 233, 158, 146, 158, 146, 146,  
238, 237, 221,  
221, 221, 221, 221, 221, 221, 221, 221, 221, 221, 211, 41, 153, 158, 227, 221, 221,  
221, 221, 221,  
221, 221, 221, 221, 221, 221, 221, 221, 221, 221, 221, 221, 221, 221, 221, 221, 221,  
221, 221, 221,  
221, 221, 221, 221, 221, 221, 221, 221, 221, 221, 221, 221, 233, 153, 153, 238,  
93, 221, 221,  
221, 221, 221, 221, 221, 221, 221, 221, 221, 62, 41, 153, 153, 146, 146, 153, 153,  
146, 146, 146,  
146, 41, 34, 41, 153, 146, 41, 34, 146, 34, 41, 34, 34, 34, 146, 146, 34, 34, 34, 34,  
34, 34, 34, 34, 34, 34, 34, 34, 34, 34, 34, 246, 38, 38, 246, 98, 242, 111, 38, 102,  
38, 111, 38, 111, 102, 111, 102, 102, 246, 102, 102, 102, 102, 102, 110, 102, 102,  
110, 238, 110,  
238, 230, 238, 230, 238, 22, 17, 30, 17, 17, 17, 27, 17, 177, 27, 177, 187, 187, 187,  
187,

136, 136, 136, 136, 136, 136, 136, 136, 136, 136, 136, 56, 56, 56, 51, 51, 56, 51, 51,  
51,  
51, 51, 51, 59, 59, 187, 187, 187, 187, 187, 187, 187, 187, 177, 190, 30, 235, 235, 225,  
30, 238,  
238, 238, 238, 238, 238, 238, 233, 233, 238, 238, 238, 158, 226, 41, 226, 38, 46,  
150, 38, 146,  
38, 41, 98, 34, 34, 34, 146, 34, 146, 34, 34, 34, 34, 41, 153, 41, 153, 146, 153, 153,  
153, 153, 153, 153, 153, 153, 153, 153, 34, 107, 221, 221, 221, 221, 221, 221, 221,  
221, 208, 221,  
221, 216, 238, 153, 153, 153, 153, 153, 153, 153, 153, 153, 153, 153, 153, 158, 189, 221,  
221, 221, 221,  
221, 221, 221, 221, 221, 221, 221, 222, 158, 158, 61, 221, 221, 221, 221, 221, 221,  
221, 221, 221,  
221, 221, 125, 181, 53, 211, 93, 83, 83, 83, 83, 221, 91, 221, 91, 221, 213, 53, 183,  
221,  
221, 221, 221, 221, 221, 221, 221, 221, 221, 221, 211, 233, 153, 233, 115, 221, 221,  
221, 221, 221,  
221, 221, 221, 221, 221, 221, 221, 221, 221, 221, 221, 221, 221, 221, 221, 221, 221,  
208, 221, 221,  
221, 221, 221, 221, 221, 221, 221, 221, 221, 221, 221, 221, 13, 185, 153, 158, 158,  
61, 221, 221,  
221, 221, 221, 221, 221, 221, 221, 221, 221, 222, 153, 153, 146, 153, 153, 146, 146,  
153, 153, 41,  
41, 146, 153, 34, 34, 41, 146, 146, 41, 41, 34, 34, 41, 34, 34, 34, 41, 34, 34, 41,  
34, 34, 34, 98, 34, 34, 98, 38, 38, 38, 38, 34, 242, 98, 34, 38, 246, 47, 98, 47,  
111, 102, 98, 102, 246, 102, 38, 102, 102, 102, 111, 102, 102, 102, 102, 102, 230,  
230, 102, 230,  
230, 225, 238, 17, 230, 17, 30, 225, 225, 225, 17, 17, 27, 27, 17, 27, 27, 177, 187,  
187,  
136, 136, 136, 131, 136, 56, 56, 51, 51, 51, 51, 51, 51, 51, 51, 51, 51, 51, 51, 59,  
179, 179, 187, 187, 187, 187, 187, 187, 187, 27, 17, 17, 17, 235, 235, 238, 238, 238,  
238, 238,

238, 238, 226, 238, 233, 233, 238, 238, 34, 34, 34, 226, 38, 110, 38, 98, 105, 98, 34,  
98,  
34, 38, 146, 34, 34, 34, 34, 34, 34, 34, 41, 34, 153, 34, 34, 146, 146, 153, 153, 153,  
153, 153, 153, 153, 153, 153, 153, 153, 153, 34, 107, 221, 221, 221, 221, 221, 221, 221,  
13, 221, 221,  
208, 221, 233, 153, 153, 153, 153, 153, 153, 153, 153, 153, 153, 153, 153, 153, 61, 221,  
221, 221, 221,  
221, 221, 221, 208, 221, 13, 208, 222, 153, 238, 93, 221, 221, 221, 221, 221, 221,  
221, 221, 221,  
221, 215, 122, 122, 119, 119, 122, 119, 119, 119, 167, 167, 167, 122, 119, 167, 167,  
167, 119, 61,  
221, 221, 221, 221, 221, 221, 208, 221, 13, 221, 3, 153, 153, 158, 227, 221, 221,  
221, 221, 221,  
221, 221, 221, 221, 221, 208, 221, 221, 13, 13, 221, 221, 13, 208, 221, 13, 13, 221,  
221, 13,  
221, 221, 208, 221, 221, 221, 221, 221, 221, 208, 221, 13, 221, 238, 153, 153, 238,  
93, 221, 221,  
221, 221, 221, 221, 221, 221, 221, 221, 13, 222, 46, 153, 153, 153, 41, 41, 153, 41,  
41, 146,  
153, 41, 41, 153, 153, 34, 41, 41, 34, 146, 146, 146, 34, 41, 34, 34, 34, 34, 34, 34,  
34, 34, 242, 34, 242, 98, 47, 34, 34, 242, 34, 246, 38, 47, 111, 98, 242, 98, 102, 102,  
38, 38, 102, 246, 111, 102, 102, 102, 246, 111, 102, 102, 102, 102, 102, 230, 110,  
102, 238, 238,  
225, 102, 230, 102, 17, 97, 225, 17, 17, 17, 17, 17, 17, 17, 177, 177, 177, 187, 187,  
187,  
51, 51, 51, 51, 51, 51, 51, 51, 51, 51, 51, 51, 59, 59, 59, 187, 187, 187, 187, 177,  
225, 177, 187, 187, 27, 177, 177, 17, 225, 30, 30, 30, 238, 238, 238, 238, 238, 238,  
238, 238,  
238, 226, 238, 226, 46, 238, 34, 34, 238, 226, 230, 38, 34, 34, 34, 34, 38, 34, 98, 34,  
98, 34, 38, 34, 34, 34, 34, 146, 41, 41, 34, 146, 34, 153, 153, 41, 41, 146, 153, 153,  
153, 153, 153, 153, 153, 153, 153, 153, 146, 107, 221, 221, 221, 221, 221, 221, 13,  
221, 221, 208,

221, 221, 238, 153, 153, 153, 153, 153, 153, 153, 153, 153, 153, 153, 158, 189, 221,  
221, 221, 221,  
221, 221, 208, 221, 221, 221, 221, 62, 158, 158, 61, 221, 221, 221, 221, 221, 13,  
221, 13, 13,  
221, 221, 141, 211, 115, 55, 61, 189, 189, 189, 53, 55, 61, 53, 51, 83, 83, 219, 221,  
221,  
221, 221, 221, 221, 221, 221, 221, 221, 221, 221, 211, 233, 153, 158, 115, 221, 221,  
221, 221, 221,  
221, 221, 221, 208, 208, 221, 221, 221, 221, 221, 221, 13, 221, 221, 221, 221, 221,  
221, 221, 221,  
221, 221, 221, 221, 13, 221, 13, 208, 221, 221, 221, 221, 221, 233, 153, 153, 158,  
61, 221, 221,  
221, 221, 221, 221, 221, 221, 221, 13, 221, 62, 153, 153, 41, 41, 153, 153, 146, 146,  
146, 41,  
146, 153, 146, 34, 34, 146, 146, 41, 34, 34, 41, 34, 41, 34, 34, 34, 34, 34, 34, 34, 34,  
34, 242, 34, 34, 34, 34, 34, 38, 38, 38, 38, 34, 242, 47, 47, 38, 38, 246, 34, 242,  
111, 98, 111, 98, 102, 38, 102, 102, 102, 102, 102, 102, 246, 102, 102, 102, 102,  
238, 102, 110,  
102, 30, 97, 17, 97, 22, 22, 30, 30, 30, 17, 17, 17, 17, 17, 27, 27, 27, 27, 27,  
51, 51, 59, 51, 59, 59, 187, 187, 179, 187, 187, 187, 187, 187, 187, 187, 177, 177,  
17, 17,  
225, 17, 30, 225, 30, 238, 238, 238, 238, 238, 238, 238, 238, 230, 230, 230, 102,  
102, 102, 98,  
98, 110, 34, 46, 226, 34, 110, 102, 41, 38, 34, 98, 98, 98, 98, 38, 34, 34, 34, 34,  
34, 34, 34, 34, 34, 34, 34, 34, 34, 34, 34, 41, 146, 34, 34, 153, 146, 153, 153, 153,  
153, 153, 153, 153, 153, 153, 153, 153, 34, 107, 221, 221, 221, 221, 13, 13, 221,  
221, 13, 221,  
221, 13, 233, 153, 153, 153, 153, 153, 153, 153, 153, 153, 153, 153, 153, 146, 189, 221,  
221, 221, 221,  
221, 208, 221, 221, 208, 221, 13, 222, 153, 151, 61, 221, 221, 221, 221, 13, 221, 13,  
221, 221,  
13, 13, 221, 221, 13, 208, 221, 221, 221, 221, 216, 208, 221, 216, 221, 141, 141,  
221, 221, 221,



221, 221, 221, 208, 208, 208, 208, 221, 208, 208, 211, 153, 158, 153, 227, 221, 221,  
221, 221, 221,  
221, 208, 208, 221, 221, 221, 208, 208, 208, 221, 13, 221, 221, 13, 221, 221, 221,  
13, 221, 221,  
13, 13, 13, 221, 221, 13, 221, 221, 208, 221, 208, 208, 208, 238, 153, 153, 238, 61,  
221, 221,  
221, 221, 221, 208, 221, 13, 13, 221, 221, 222, 41, 153, 153, 153, 146, 146, 153,  
153, 153, 153,  
41, 34, 41, 153, 153, 41, 41, 34, 146, 153, 34, 41, 34, 34, 34, 146, 41, 34, 41, 34,  
34, 34, 34, 47, 47, 47, 38, 34, 242, 34, 242, 98, 47, 98, 255, 47, 98, 47, 102, 38,  
98, 102, 38, 102, 246, 111, 111, 102, 111, 102, 102, 102, 102, 102, 102, 102, 230,  
102, 230, 230,  
225, 97, 97, 102, 22, 17, 97, 22, 17, 17, 17, 225, 17, 17, 27, 17, 177, 27, 177, 187,  
187, 187, 187, 187, 187, 187, 187, 187, 17, 177, 17, 17, 17, 17, 17, 17, 17, 17,  
17,  
238, 238, 238, 238, 238, 238, 230, 230, 230, 102, 102, 102, 102, 102, 246, 246, 102,  
98, 98, 102,  
38, 98, 102, 98, 38, 102, 34, 34, 102, 34, 34, 34, 38, 34, 38, 34, 34, 38, 34, 34,  
34, 34, 34, 34, 146, 41, 41, 34, 146, 146, 146, 146, 34, 153, 153, 34, 153, 41, 153,  
153,  
153, 153, 153, 153, 73, 153, 153, 153, 146, 107, 221, 221, 221, 13, 221, 221, 13, 13,  
208, 208,  
208, 221, 238, 153, 153, 153, 153, 153, 153, 153, 153, 153, 153, 153, 158, 189, 221,  
221, 221, 221,  
208, 221, 208, 208, 221, 208, 221, 222, 158, 158, 61, 221, 221, 221, 13, 208, 208,  
221, 208, 208,  
221, 208, 221, 221, 221, 221, 221, 221, 221, 221, 221, 221, 13, 221, 221, 208, 221,  
221, 221, 221,  
221, 208, 208, 221, 221, 221, 221, 208, 221, 221, 3, 233, 153, 158, 115, 221, 221,  
221, 221, 221,  
208, 221, 221, 13, 13, 208, 221, 221, 221, 221, 221, 13, 221, 221, 13, 13, 13, 221,  
13, 13,

221, 221, 221, 13, 221, 208, 208, 208, 221, 208, 221, 221, 221, 25, 153, 153, 238,  
61, 221, 221,  
221, 221, 208, 221, 208, 221, 221, 13, 13, 142, 158, 153, 146, 153, 153, 153, 146,  
41, 41, 146,  
146, 153, 146, 34, 34, 146, 146, 41, 41, 34, 41, 34, 41, 41, 41, 34, 34, 34, 34, 34,  
34, 34, 47, 34, 242, 34, 98, 47, 34, 98, 34, 47, 98, 38, 38, 242, 38, 98, 47, 98,  
246, 38, 111, 38, 111, 102, 246, 38, 102, 102, 102, 111, 102, 102, 102, 102, 102,  
102, 110, 97,  
102, 102, 22, 102, 22, 97, 22, 17, 22, 97, 238, 17, 17, 17, 17, 17, 17, 17, 27, 17,  
187, 187, 27, 17, 177, 17, 17, 17, 17, 17, 17, 17, 17, 17, 225, 238, 238, 238, 230,  
230,  
238, 110, 110, 102, 102, 102, 102, 102, 102, 102, 111, 102, 111, 111, 111, 111, 98,  
38, 246, 38,  
98, 38, 34, 38, 34, 34, 98, 98, 34, 98, 98, 242, 34, 34, 34, 34, 34, 34, 34,  
34, 34, 34, 34, 34, 34, 34, 34, 34, 34, 41, 34, 146, 34, 34, 153, 41, 153, 41, 153,  
153, 153, 148, 153, 153, 153, 153, 153, 34, 107, 221, 221, 208, 221, 208, 221, 221,  
221, 221, 221,  
221, 221, 233, 41, 153, 153, 153, 153, 153, 153, 153, 153, 153, 153, 158, 125, 221,  
221, 221, 208,  
221, 208, 221, 221, 208, 221, 221, 142, 153, 238, 61, 221, 221, 208, 221, 221, 221,  
221, 221, 221,  
221, 221, 221, 13, 221, 13, 13, 221, 221, 221, 221, 13, 221, 13, 208, 221, 208, 208,  
208, 221,  
208, 221, 221, 13, 208, 208, 208, 221, 13, 221, 211, 153, 153, 233, 227, 221, 221,  
221, 221, 208,  
221, 208, 221, 221, 221, 13, 208, 208, 221, 13, 13, 221, 13, 221, 221, 221, 221, 221,  
221, 221,  
221, 221, 221, 221, 13, 221, 221, 221, 221, 13, 13, 13, 208, 238, 153, 153, 151, 61,  
221, 221,  
221, 208, 221, 13, 13, 208, 221, 221, 208, 222, 41, 153, 153, 146, 146, 146, 153,  
153, 146, 41,  
146, 146, 153, 153, 153, 41, 41, 146, 34, 146, 146, 146, 34, 34, 34, 34, 34, 34, 34,  
34,

34, 34, 34, 242, 34, 242, 34, 34, 98, 34, 98, 242, 47, 242, 242, 38, 242, 38, 98, 102,  
38, 98, 246, 98, 246, 38, 102, 102, 246, 38, 102, 102, 102, 102, 102, 102, 102, 102,  
102, 102,  
110, 97, 102, 22, 97, 102, 97, 102, 17, 22, 17, 17, 225, 17, 225, 17, 17, 17, 17, 177,  
17, 17, 17, 17, 17, 17, 30, 17, 22, 22, 22, 22, 102, 102, 102, 102, 102, 102, 102, 102,  
102, 102, 102, 102, 102, 246, 111, 111, 111, 102, 255, 255, 255, 255, 255, 38,  
255, 242, 98,  
38, 242, 38, 242, 242, 242, 34, 34, 34, 34, 34, 47, 34, 242, 242, 47, 34, 34, 34, 34,  
34, 34, 34, 41, 34, 146, 41, 41, 41, 41, 34, 41, 41, 153, 153, 41, 146, 153, 153, 153,  
153, 153, 153, 153, 153, 153, 153, 153, 146, 99, 221, 221, 221, 208, 221, 13, 13,  
208, 208, 221,  
13, 221, 190, 238, 238, 233, 233, 233, 233, 233, 233, 233, 233, 34, 46, 238, 189, 221,  
221, 221, 221,  
208, 221, 208, 208, 221, 221, 13, 222, 158, 158, 93, 221, 221, 221, 208, 208, 208,  
208, 208, 208,  
208, 221, 13, 221, 13, 221, 221, 13, 208, 221, 13, 221, 221, 221, 13, 221, 13, 221,  
221, 208,  
221, 208, 221, 208, 221, 221, 221, 221, 221, 13, 3, 233, 153, 158, 115, 221, 221,  
221, 221, 221,  
208, 221, 208, 208, 208, 221, 221, 221, 221, 221, 221, 13, 221, 13, 221, 13, 221, 13,  
221, 13,  
13, 13, 13, 221, 221, 13, 221, 13, 13, 221, 221, 221, 13, 25, 153, 158, 158, 61, 221,  
221,  
221, 221, 13, 221, 221, 221, 208, 208, 221, 62, 153, 153, 146, 153, 153, 41, 146,  
146, 153, 146,  
153, 41, 34, 34, 34, 146, 146, 41, 41, 41, 41, 41, 146, 146, 146, 146, 146, 34, 146,  
41,  
34, 47, 34, 34, 34, 34, 242, 242, 34, 255, 47, 38, 47, 47, 246, 242, 246, 242, 38, 47,  
98, 246, 98, 102, 102, 102, 242, 102, 102, 102, 111, 102, 102, 102, 102, 102, 102,  
102, 110, 102,  
230, 230, 102, 102, 22, 17, 102, 17, 102, 17, 102, 97, 97, 225, 17, 30, 225, 17, 17,  
17,  
17, 17, 17, 17, 30, 22, 22, 102, 17, 97, 102, 97, 97, 97, 102, 102, 102, 102, 102, 102,

102, 102, 111, 111, 246, 255, 111, 246, 246, 255, 255, 246, 255, 255, 255, 255, 242,  
242, 255, 47,  
242, 47, 242, 47, 255, 47, 47, 255, 255, 34, 47, 34, 242, 34, 34, 34, 34, 34, 242,  
34, 34, 34, 34, 34, 34, 34, 34, 34, 34, 41, 34, 34, 34, 34, 146, 153, 41, 153, 153,  
153, 153, 153, 153, 153, 153, 153, 153, 34, 43, 221, 221, 221, 13, 221, 221, 221, 13,  
221, 208,  
221, 213, 189, 115, 55, 61, 221, 53, 61, 61, 125, 61, 221, 219, 91, 83, 221, 221, 208,  
208,  
221, 208, 221, 221, 221, 13, 221, 222, 153, 158, 61, 221, 221, 221, 13, 221, 221,  
221, 221, 221,  
221, 208, 221, 13, 221, 13, 13, 208, 221, 13, 221, 13, 0, 208, 221, 221, 221, 221, 13,  
221,  
208, 221, 13, 221, 208, 208, 221, 13, 13, 221, 211, 153, 153, 158, 227, 221, 221,  
221, 208, 208,  
221, 208, 221, 221, 221, 221, 13, 13, 13, 13, 13, 221, 221, 221, 13, 221, 13, 221, 13,  
221,  
221, 221, 221, 13, 13, 221, 13, 221, 221, 221, 13, 221, 208, 226, 153, 153, 238, 61,  
221, 221,  
221, 221, 221, 13, 208, 208, 221, 221, 208, 222, 46, 153, 153, 146, 153, 153, 153,  
153, 146, 153,  
34, 146, 153, 153, 153, 41, 41, 34, 146, 34, 34, 34, 34, 34, 34, 34, 146, 34, 34,  
34, 34, 34, 47, 47, 34, 34, 34, 34, 34, 34, 242, 34, 255, 34, 47, 34, 246, 242, 111,  
38, 242, 38, 47, 47, 255, 102, 246, 255, 111, 102, 111, 102, 246, 111, 102, 102, 102,  
102, 102,  
102, 102, 110, 102, 102, 102, 22, 102, 22, 102, 17, 22, 17, 102, 22, 17, 17, 17, 17,  
17,  
17, 17, 17, 17, 225, 97, 97, 22, 102, 102, 17, 102, 102, 102, 102, 22, 102, 22, 102,  
102,  
102, 111, 102, 102, 111, 111, 255, 255, 255, 246, 255, 255, 255, 255, 255, 242, 255,  
255, 47, 255,  
255, 255, 47, 242, 34, 242, 47, 34, 34, 47, 34, 242, 47, 34, 242, 34, 34, 34, 34, 34,  
34, 34, 34, 34, 34, 34, 41, 34, 41, 34, 34, 41, 41, 41, 153, 41, 41, 153, 41, 153,

153, 153, 153, 153, 153, 153, 153, 153, 146, 235, 221, 221, 13, 221, 13, 13, 208,  
221, 208, 221,  
221, 215, 122, 119, 119, 119, 167, 119, 119, 119, 119, 119, 167, 119, 119, 119, 221,  
221, 221, 221,  
208, 221, 13, 13, 13, 208, 208, 62, 158, 238, 61, 221, 221, 13, 221, 13, 13, 13, 13,  
13,  
13, 13, 208, 221, 13, 221, 221, 221, 13, 221, 13, 221, 221, 221, 221, 13, 13, 13, 221,  
208,  
221, 13, 208, 208, 221, 221, 13, 221, 208, 208, 211, 233, 158, 153, 115, 221, 221,  
221, 13, 13,  
221, 13, 13, 13, 208, 208, 221, 221, 208, 221, 221, 13, 13, 13, 221, 221, 221, 221,  
221, 221,  
13, 221, 13, 221, 221, 221, 221, 221, 13, 13, 221, 13, 13, 185, 153, 153, 158, 93,  
221, 221,  
221, 13, 13, 221, 13, 221, 221, 13, 208, 222, 153, 153, 41, 153, 146, 146, 146, 146,  
153, 41,  
153, 153, 41, 34, 34, 146, 146, 146, 41, 41, 41, 41, 34, 41, 41, 34, 34, 34, 34, 34,  
34, 34, 34, 34, 34, 47, 34, 242, 242, 242, 47, 34, 242, 47, 255, 255, 98, 242, 246, 47,  
98, 246, 255, 246, 246, 246, 47, 242, 111, 246, 255, 246, 255, 111, 102, 111, 102,  
102, 102, 111,  
246, 102, 102, 102, 22, 102, 102, 22, 97, 97, 102, 102, 97, 17, 97, 102, 97, 97, 225,  
225,  
187, 27, 17, 17, 17, 17, 17, 17, 17, 17, 102, 22, 17, 97, 102, 102, 22, 102, 102, 102,  
102, 102, 111, 111, 102, 246, 246, 102, 246, 255, 255, 255, 255, 255, 255, 255, 47,  
47, 242, 242,  
242, 34, 242, 47, 255, 47, 34, 47, 47, 34, 34, 34, 34, 34, 34, 34, 34, 34, 34, 34,  
34, 34, 34, 34, 34, 146, 34, 41, 34, 41, 41, 34, 146, 146, 34, 146, 146, 153, 153, 41,  
153, 153, 153, 153, 153, 153, 153, 153, 34, 107, 221, 221, 208, 221, 208, 221, 13,  
208, 221, 13,  
13, 221, 221, 61, 125, 61, 115, 219, 215, 61, 189, 115, 215, 55, 61, 61, 221, 208,  
208, 208,  
221, 13, 221, 221, 208, 221, 221, 222, 153, 158, 93, 221, 221, 208, 221, 208, 221,  
221, 221, 221,

208, 221, 221, 221, 221, 13, 208, 221, 221, 13, 221, 13, 13, 221, 13, 221, 221, 221,  
208, 221,  
221, 221, 221, 221, 208, 13, 221, 13, 221, 221, 3, 153, 153, 158, 125, 221, 221, 221,  
221, 221,  
13, 221, 221, 208, 221, 13, 221, 208, 221, 221, 13, 221, 221, 221, 13, 13, 13, 13, 13,  
13,  
221, 13, 221, 221, 13, 13, 13, 13, 221, 221, 13, 221, 221, 238, 153, 158, 158, 61,  
221, 221,  
221, 221, 221, 13, 221, 13, 13, 208, 221, 62, 233, 153, 153, 41, 153, 153, 153, 153,  
146, 146,  
41, 34, 146, 153, 153, 41, 41, 41, 34, 146, 146, 34, 41, 34, 34, 34, 146, 34, 146, 34,  
34, 34, 34, 34, 34, 34, 34, 47, 34, 47, 34, 242, 47, 242, 34, 34, 34, 255, 34, 242,  
47, 242, 47, 242, 242, 242, 246, 246, 255, 111, 255, 111, 111, 111, 255, 246, 102,  
246, 102, 255,  
246, 102, 102, 102, 102, 102, 102, 246, 102, 102, 97, 97, 102, 102, 102, 17, 22, 22,  
102, 22,  
187, 187, 177, 177, 17, 17, 17, 17, 22, 17, 17, 97, 102, 22, 22, 22, 102, 102, 97, 102,  
102, 102, 102, 102, 111, 102, 255, 255, 255, 255, 111, 111, 255, 255, 255, 255, 255,  
255, 47, 255,  
255, 255, 47, 242, 34, 34, 242, 242, 34, 242, 242, 242, 242, 47, 34, 47, 34, 242, 34,  
34,  
34, 34, 34, 41, 34, 34, 146, 34, 34, 34, 34, 41, 34, 34, 153, 41, 41, 41, 41, 153,  
153, 153, 153, 153, 153, 153, 153, 153, 146, 235, 221, 221, 221, 13, 221, 208, 221,  
221, 13, 221,  
221, 221, 221, 221, 13, 221, 13, 221, 208, 221, 221, 13, 208, 208, 221, 221, 13, 13,  
221, 221,  
13, 221, 208, 221, 221, 221, 0, 222, 158, 158, 61, 221, 221, 221, 13, 221, 208, 221,  
13, 13,  
221, 221, 13, 13, 13, 208, 221, 13, 13, 221, 13, 221, 221, 13, 221, 13, 208, 208, 221,  
208,  
208, 208, 208, 208, 221, 221, 13, 208, 208, 208, 211, 233, 153, 233, 227, 221, 221,  
208, 208, 221,

208, 221, 13, 221, 13, 221, 208, 13, 221, 13, 208, 221, 208, 221, 221, 221, 221, 221,  
221, 221,  
13, 221, 13, 13, 221, 221, 221, 221, 208, 221, 221, 221, 13, 185, 153, 153, 238, 61,  
221, 221,  
221, 0, 221, 221, 13, 221, 221, 13, 208, 222, 153, 153, 153, 153, 146, 146, 146, 146,  
153, 153,  
146, 153, 41, 34, 34, 146, 146, 41, 41, 34, 41, 41, 34, 34, 146, 146, 34, 146, 34, 34,  
146, 34, 34, 34, 34, 34, 34, 34, 34, 47, 47, 47, 34, 47, 47, 255, 255, 34, 255, 47,  
242, 255, 255, 38, 246, 246, 242, 255, 255, 38, 255, 255, 255, 246, 246, 111, 255,  
111, 246, 102,  
102, 111, 102, 102, 111, 102, 102, 102, 102, 102, 102, 102, 102, 102, 97, 97, 255, 102,  
102, 22, 97,  
187, 187, 187, 187, 187, 27, 17, 17, 17, 17, 17, 17, 17, 97, 97, 97, 17, 17, 102, 97,  
97, 102, 102, 102, 102, 102, 102, 102, 102, 111, 255, 255, 111, 255, 255, 255, 255,  
47, 255, 47,  
242, 242, 242, 255, 255, 255, 47, 47, 242, 47, 47, 34, 47, 34, 47, 34, 34, 34, 47, 34,  
34, 34, 34, 34, 34, 34, 34, 41, 41, 41, 41, 34, 146, 153, 34, 146, 153, 146, 153, 41,  
153, 153, 153, 153, 153, 153, 146, 146, 107, 221, 208, 13, 208, 208, 221, 208,  
221, 208, 221,  
13, 13, 13, 221, 221, 13, 208, 221, 221, 13, 221, 208, 221, 13, 13, 208, 221, 208,  
208, 208,  
208, 208, 221, 0, 13, 0, 221, 222, 153, 238, 61, 221, 208, 13, 208, 208, 221, 0, 221,  
208,  
13, 13, 208, 221, 208, 221, 13, 208, 221, 13, 208, 221, 13, 208, 221, 221, 13, 221,  
13, 221,  
221, 221, 221, 221, 208, 221, 221, 13, 13, 13, 3, 153, 153, 158, 125, 221, 221, 221,  
221, 0,  
221, 13, 208, 13, 208, 208, 221, 221, 0, 208, 221, 208, 221, 13, 208, 208, 208, 208,  
221, 13,  
208, 221, 221, 208, 221, 13, 208, 208, 221, 13, 208, 13, 208, 226, 153, 153, 158, 61,  
221, 221,  
13, 221, 13, 0, 221, 13, 13, 208, 13, 222, 41, 41, 41, 41, 41, 153, 153, 41, 146, 146,  
153, 41, 146, 153, 153, 41, 41, 34, 146, 41, 34, 146, 34, 146, 34, 34, 34, 34, 34, 34,

34, 34, 34, 34, 34, 34, 242, 242, 47, 34, 34, 242, 255, 34, 255, 34, 34, 111, 246, 255,  
98, 255, 246, 98, 242, 98, 111, 102, 255, 111, 111, 102, 246, 111, 102, 246, 102,  
102, 111, 111,  
111, 102, 102, 102, 102, 102, 102, 102, 102, 22, 102, 102, 102, 22, 102, 102, 22, 97, 102,  
97, 102,  
187, 59, 187, 187, 177, 177, 177, 177, 17, 17, 17, 17, 17, 22, 22, 102, 102, 17,  
102,  
102, 102, 102, 102, 102, 102, 246, 255, 255, 246, 246, 255, 255, 255, 255, 255, 255,  
255, 47, 242,  
255, 47, 47, 47, 34, 47, 242, 242, 47, 242, 34, 47, 34, 242, 242, 34, 47, 34, 34, 34,  
242, 34, 34, 34, 34, 34, 41, 34, 34, 34, 34, 34, 34, 146, 41, 34, 153, 41, 153,  
153, 153, 153, 153, 153, 153, 153, 153, 34, 107, 221, 221, 208, 221, 13, 208, 13, 0,  
13, 0,  
208, 208, 221, 13, 0, 208, 221, 13, 13, 208, 208, 221, 13, 208, 208, 208, 208, 221,  
13, 221,  
221, 13, 13, 221, 208, 221, 13, 222, 158, 158, 61, 221, 221, 208, 221, 13, 208, 221,  
13, 13,  
208, 221, 13, 0, 221, 13, 208, 221, 13, 208, 221, 13, 208, 221, 13, 13, 221, 13, 208,  
208,  
208, 208, 208, 208, 221, 13, 13, 221, 221, 221, 221, 233, 153, 233, 227, 221, 221, 0,  
13, 221,  
13, 208, 13, 208, 221, 13, 13, 13, 221, 221, 13, 13, 13, 208, 221, 13, 221, 13, 13,  
208,  
221, 13, 13, 13, 13, 208, 13, 221, 13, 208, 221, 208, 221, 18, 153, 158, 158, 93, 221,  
221,  
208, 13, 208, 221, 208, 208, 208, 221, 221, 222, 34, 153, 153, 153, 153, 41, 41, 153,  
41, 41,  
146, 146, 41, 34, 34, 146, 146, 153, 34, 146, 146, 34, 41, 34, 41, 34, 146, 34, 146,  
34,  
34, 34, 34, 34, 34, 242, 34, 47, 34, 242, 255, 47, 34, 255, 242, 111, 111, 47, 34, 98,  
102, 38, 34, 111, 102, 246, 102, 246, 102, 102, 102, 102, 102, 102, 102, 102, 102,  
102, 102, 102,  
102, 102, 102, 102, 97, 97, 102, 22, 102, 22, 22, 22, 97, 22, 22, 97, 102, 17, 97, 97,



51, 187, 179, 187, 187, 187, 187, 27, 27, 177, 17, 17, 17, 22, 17, 97, 17, 17, 102, 22,  
22, 97, 102, 102, 102, 102, 102, 102, 102, 102, 255, 111, 246, 255, 246, 255, 255, 255,  
47, 255, 255,  
242, 255, 255, 242, 255, 242, 242, 255, 34, 47, 47, 34, 242, 47, 34, 242, 34, 34, 34,  
34,  
34, 34, 34, 41, 34, 146, 34, 34, 146, 146, 146, 146, 146, 146, 41, 146, 153, 41, 146,  
146,  
146, 153, 153, 153, 153, 153, 146, 153, 34, 99, 221, 208, 221, 13, 208, 221, 208,  
221, 221, 221,  
221, 221, 13, 208, 221, 221, 13, 208, 221, 13, 221, 13, 208, 221, 13, 221, 13, 0, 208,  
0,  
13, 208, 208, 208, 221, 13, 208, 222, 153, 151, 61, 221, 208, 221, 13, 208, 221, 13,  
208, 208,  
221, 0, 221, 221, 13, 208, 221, 13, 208, 221, 13, 208, 221, 13, 208, 221, 0, 208, 221,  
13,  
13, 13, 13, 13, 13, 208, 221, 0, 208, 208, 211, 153, 153, 158, 125, 221, 221, 221,  
208, 208,  
208, 221, 208, 221, 13, 208, 208, 208, 208, 208, 208, 221, 208, 221, 13, 208, 208,  
221, 208, 221,  
13, 208, 221, 221, 208, 221, 208, 208, 208, 221, 13, 13, 0, 25, 153, 153, 238, 61,  
221, 208,  
221, 208, 13, 208, 13, 221, 13, 13, 0, 142, 153, 153, 146, 146, 153, 153, 153, 41,  
153, 146,  
153, 41, 153, 153, 153, 41, 34, 34, 146, 34, 41, 41, 34, 41, 34, 34, 34, 34, 34, 34,  
34, 34, 34, 242, 242, 34, 47, 34, 255, 47, 242, 242, 255, 242, 102, 38, 38, 102, 102,  
38,  
38, 102, 102, 102, 102, 102, 102, 102, 102, 102, 102, 102, 102, 230, 230, 230, 110, 110,  
110, 110, 238,  
238, 238, 225, 225, 97, 102, 17, 97, 17, 97, 97, 17, 22, 17, 17, 17, 17, 17, 17, 17,  
187, 51, 187, 179, 187, 187, 177, 187, 177, 27, 17, 17, 17, 17, 17, 17, 97, 102, 17,  
97,  
97, 102, 102, 22, 102, 102, 102, 111, 102, 111, 255, 111, 255, 255, 255, 255, 255,  
255, 47, 47,

255, 242, 242, 255, 47, 47, 242, 34, 255, 242, 242, 242, 47, 34, 34, 47, 34, 47, 34,  
242,  
34, 34, 34, 34, 34, 34, 146, 34, 34, 34, 34, 41, 41, 41, 146, 41, 34, 146, 153, 41,  
41, 146, 146, 146, 146, 146, 153, 41, 146, 107, 221, 208, 208, 208, 13, 0, 221, 208,  
208, 0,  
208, 208, 221, 13, 208, 208, 208, 221, 13, 208, 208, 208, 221, 13, 208, 208, 221,  
221, 221, 221,  
208, 13, 221, 13, 13, 208, 221, 142, 158, 158, 61, 221, 208, 208, 208, 13, 0, 221, 13,  
13,  
13, 221, 13, 13, 208, 221, 13, 208, 221, 13, 208, 221, 13, 208, 221, 13, 221, 221, 13,  
221,  
221, 221, 221, 221, 208, 221, 13, 221, 13, 13, 3, 233, 153, 233, 237, 221, 221, 13,  
13, 13,  
221, 0, 221, 0, 208, 221, 208, 221, 13, 221, 221, 208, 221, 13, 208, 221, 13, 208,  
221, 13,  
208, 221, 13, 13, 13, 208, 221, 13, 221, 13, 208, 221, 221, 30, 153, 153, 158, 61,  
221, 221,  
0, 221, 208, 221, 208, 208, 208, 221, 221, 222, 34, 146, 153, 153, 146, 146, 146,  
146, 146, 153,  
41, 146, 34, 34, 34, 146, 146, 146, 41, 41, 34, 34, 34, 34, 34, 34, 34, 41, 34, 34,  
34, 47, 34, 34, 47, 255, 242, 255, 34, 255, 38, 246, 98, 102, 34, 98, 102, 38, 38, 102,  
226, 102, 102, 102, 102, 102, 102, 110, 110, 110, 238, 238, 238, 238, 238, 238, 238,  
238, 30, 238,  
225, 225, 30, 17, 17, 17, 17, 17, 17, 17, 17, 17, 17, 17, 17, 17, 17, 17, 17, 17, 177,  
51, 187, 51, 187, 187, 59, 187, 177, 187, 177, 187, 17, 17, 17, 17, 22, 22, 17, 97,  
102,  
102, 102, 22, 102, 102, 102, 102, 111, 255, 255, 111, 255, 255, 111, 255, 255, 255,  
255, 255, 255,  
47, 47, 47, 34, 242, 242, 255, 255, 34, 47, 34, 34, 242, 242, 242, 34, 34, 34, 34, 34,  
34, 34, 34, 34, 34, 34, 146, 146, 34, 146, 34, 34, 34, 34, 146, 153, 41, 41, 153,  
153, 41, 153, 153, 153, 153, 153, 146, 34, 235, 221, 221, 13, 221, 221, 221, 0, 13,  
221, 221,

13, 221, 13, 221, 13, 13, 221, 13, 208, 221, 13, 221, 13, 208, 221, 13, 208, 208, 208,  
208,  
221, 208, 208, 208, 208, 221, 13, 222, 153, 151, 61, 221, 221, 13, 221, 221, 221, 0,  
221, 221,  
208, 208, 208, 221, 13, 13, 208, 221, 13, 208, 221, 13, 221, 13, 13, 208, 208, 208,  
221, 13,  
13, 13, 13, 13, 13, 13, 208, 208, 221, 221, 211, 153, 153, 158, 125, 221, 221, 13,  
221, 208,  
208, 221, 208, 221, 221, 0, 221, 13, 208, 208, 208, 221, 13, 208, 221, 13, 208, 221,  
13, 208,  
221, 13, 208, 221, 208, 221, 13, 208, 208, 208, 221, 208, 208, 25, 153, 158, 158, 61,  
221, 208,  
221, 0, 221, 0, 221, 13, 221, 0, 0, 222, 41, 153, 153, 41, 153, 153, 153, 153, 153, 41,  
146, 41, 153, 153, 153, 41, 41, 41, 34, 34, 41, 41, 41, 34, 41, 34, 34, 34, 34, 34,  
34, 34, 255, 47, 34, 34, 47, 38, 38, 38, 98, 98, 102, 38, 102, 102, 102, 102, 230, 102,  
110, 102, 230, 110, 110, 238, 230, 102, 238, 238, 238, 238, 238, 238, 30, 17, 225,  
17, 17, 17,  
17, 17, 17, 17, 17, 27, 27, 17, 177, 177, 177, 177, 187, 187, 187, 187, 187, 187, 187, 187,  
187,  
51, 51, 187, 51, 187, 187, 187, 187, 177, 187, 17, 177, 17, 17, 22, 17, 17, 97, 102,  
22,  
22, 102, 102, 102, 102, 102, 102, 102, 111, 111, 255, 111, 111, 255, 255, 255, 255,  
255, 242, 255,  
255, 255, 255, 255, 255, 255, 34, 34, 255, 242, 242, 242, 34, 34, 47, 34, 34, 34, 34,  
34,  
34, 34, 34, 41, 34, 146, 34, 34, 34, 146, 34, 146, 146, 146, 153, 41, 34, 146, 153, 34,  
146, 153, 41, 41, 41, 41, 41, 146, 107, 221, 0, 208, 0, 0, 13, 221, 208, 0, 13,  
208, 13, 208, 0, 221, 208, 13, 208, 221, 13, 208, 208, 208, 13, 13, 208, 221, 13, 13,  
13,  
13, 13, 13, 221, 221, 0, 208, 222, 158, 158, 61, 221, 0, 208, 0, 0, 13, 221, 0, 0,  
13, 13, 221, 0, 221, 208, 221, 0, 208, 221, 0, 208, 0, 221, 208, 13, 13, 13, 0, 208,  
208, 208, 208, 208, 221, 208, 221, 13, 208, 0, 13, 233, 153, 153, 237, 221, 221, 208,  
0, 13,

13, 0, 13, 0, 0, 221, 13, 208, 221, 13, 13, 0, 208, 221, 0, 208, 221, 0, 208, 221,  
0, 208, 221, 0, 221, 0, 208, 221, 13, 221, 0, 13, 13, 18, 153, 153, 238, 61, 221, 221,  
13, 221, 0, 221, 13, 0, 13, 221, 221, 222, 41, 41, 153, 153, 41, 41, 41, 41, 146, 153,  
41, 153, 34, 34, 34, 146, 34, 34, 41, 41, 34, 34, 34, 34, 34, 34, 34, 34, 34, 47,  
47, 242, 47, 47, 98, 102, 98, 98, 102, 98, 46, 46, 38, 226, 102, 102, 102, 110, 46,  
230,  
238, 238, 238, 238, 238, 238, 238, 238, 238, 30, 17, 225, 17, 17, 17, 17, 27, 27, 27,  
177,  
187, 187, 187, 187, 187, 187, 187, 187, 187, 187, 187, 187, 187, 187, 187, 187, 179,  
59, 51, 179,  
59, 59, 179, 187, 59, 187, 187, 187, 27, 17, 177, 17, 17, 17, 97, 22, 97, 102, 22, 102,  
102, 22, 102, 102, 102, 102, 102, 255, 246, 246, 111, 255, 255, 255, 255, 255,  
255, 255, 255,  
47, 34, 242, 242, 242, 47, 255, 255, 34, 34, 47, 34, 242, 242, 242, 34, 242, 47, 34,  
242,  
34, 34, 34, 34, 34, 34, 41, 41, 34, 34, 41, 34, 34, 41, 34, 34, 153, 41, 34, 153,  
41, 146, 146, 153, 153, 153, 153, 153, 34, 107, 221, 221, 13, 221, 221, 208, 0, 13,  
221, 208,  
13, 208, 13, 221, 0, 221, 208, 13, 0, 208, 13, 13, 221, 208, 208, 13, 0, 208, 208, 208,  
208, 208, 208, 0, 13, 221, 13, 222, 153, 158, 61, 221, 221, 13, 221, 221, 208, 0, 221,  
221,  
208, 208, 0, 221, 0, 13, 13, 221, 13, 0, 221, 221, 221, 0, 221, 221, 208, 221, 221, 13,  
221, 13, 13, 13, 0, 13, 13, 208, 13, 221, 211, 153, 153, 238, 125, 221, 208, 13, 221,  
208,  
208, 221, 208, 221, 221, 0, 208, 13, 0, 208, 208, 221, 13, 0, 221, 13, 0, 221, 13, 0,  
221, 13, 0, 221, 0, 221, 13, 13, 208, 13, 221, 208, 208, 25, 153, 153, 158, 93, 221, 0,  
208, 0, 221, 0, 208, 221, 208, 0, 13, 222, 34, 153, 41, 153, 153, 153, 153, 146, 153,  
41,  
146, 34, 153, 153, 153, 41, 41, 41, 34, 146, 34, 41, 34, 146, 34, 34, 34, 34, 34, 242,  
242, 38, 38, 34, 38, 34, 46, 38, 38, 46, 226, 230, 230, 110, 226, 238, 238, 238, 238,  
238,  
238, 238, 238, 238, 238, 225, 30, 30, 17, 187, 27, 187, 187, 187, 187, 187, 187, 187,  
187, 187,

187, 187, 187, 187, 179, 59, 59, 59, 51, 179, 51, 51, 51, 51, 51, 51, 51, 51, 51, 51,  
51, 51, 59, 179, 187, 187, 187, 177, 187, 27, 17, 17, 17, 22, 17, 97, 22, 22, 97, 102,  
102, 102, 102, 102, 102, 102, 102, 102, 111, 111, 246, 246, 246, 255, 255, 255, 255,  
255, 255, 47,  
255, 255, 47, 47, 47, 242, 242, 34, 242, 255, 34, 47, 47, 34, 34, 242, 34, 34, 34, 34,  
34, 34, 34, 34, 34, 34, 34, 34, 34, 41, 41, 34, 34, 146, 146, 41, 41, 34, 146, 153, 41,  
146, 153, 153, 41, 41, 41, 41, 41, 34, 235, 221, 0, 208, 0, 0, 13, 221, 208, 0, 221,  
208, 221, 208, 208, 221, 0, 221, 208, 221, 13, 208, 208, 0, 221, 13, 208, 221, 13,  
221, 13,  
221, 13, 221, 221, 208, 13, 208, 222, 158, 151, 221, 221, 0, 208, 0, 0, 13, 221, 0, 0,  
221, 13, 221, 13, 221, 208, 208, 0, 221, 221, 0, 0, 208, 221, 0, 0, 13, 0, 13, 208,  
0, 221, 208, 221, 221, 208, 208, 13, 208, 208, 3, 233, 153, 153, 227, 221, 221, 208,  
0, 13,  
13, 0, 13, 0, 13, 221, 13, 208, 208, 13, 13, 0, 208, 208, 0, 208, 13, 0, 208, 208,  
0, 208, 221, 13, 221, 13, 208, 208, 13, 208, 0, 221, 13, 30, 153, 153, 238, 61, 221,  
221,  
13, 221, 0, 221, 13, 0, 208, 221, 208, 222, 41, 153, 153, 41, 146, 146, 146, 153, 146,  
153,  
41, 153, 34, 34, 34, 34, 146, 146, 146, 34, 41, 34, 34, 34, 34, 34, 34, 47, 242, 34,  
98, 98, 98, 102, 98, 110, 38, 102, 98, 226, 102, 98, 230, 226, 238, 238, 238, 238,  
238, 238,  
238, 238, 238, 177, 187, 17, 187, 187, 187, 235, 187, 27, 187, 187, 187, 187, 187,  
187, 179, 179,  
179, 51, 51, 51, 59, 51, 51, 51, 51, 51, 51, 51, 51, 51, 51, 51, 51, 51, 51, 56,  
187, 187, 179, 187, 187, 187, 177, 177, 17, 17, 17, 17, 22, 17, 102, 22, 102, 246,  
102, 97,  
102, 22, 102, 102, 102, 102, 111, 255, 246, 255, 111, 255, 255, 255, 255, 255, 255,  
255, 255, 255,  
47, 47, 255, 242, 255, 47, 47, 255, 34, 34, 242, 242, 34, 34, 34, 34, 34, 34, 34, 34,  
34, 34, 34, 41, 34, 146, 34, 146, 34, 34, 34, 146, 41, 34, 146, 146, 153, 41, 34, 146,  
41, 34, 41, 146, 146, 146, 153, 146, 146, 107, 221, 13, 13, 221, 221, 208, 0, 13, 221,  
0,  
13, 0, 13, 13, 13, 221, 0, 221, 13, 208, 221, 13, 221, 0, 208, 221, 13, 208, 0, 208,

0, 208, 0, 208, 13, 208, 13, 222, 153, 158, 61, 221, 221, 13, 221, 221, 208, 0, 221,  
221,  
0, 221, 13, 208, 208, 13, 221, 221, 0, 13, 221, 221, 13, 13, 221, 221, 221, 221, 208,  
13,  
221, 0, 13, 0, 208, 13, 13, 208, 13, 13, 221, 153, 153, 158, 125, 221, 208, 13, 221,  
208,  
208, 221, 208, 221, 208, 13, 13, 131, 211, 211, 211, 211, 211, 211, 61, 61, 61, 51,  
211, 211,  
221, 221, 0, 208, 0, 208, 13, 13, 208, 221, 221, 0, 208, 25, 153, 153, 158, 61, 221, 0,  
208, 0, 221, 0, 208, 221, 13, 13, 13, 222, 34, 146, 153, 153, 153, 153, 153, 146, 153,  
41,  
146, 34, 153, 153, 41, 41, 34, 34, 34, 146, 34, 34, 34, 34, 34, 34, 38, 34, 98, 102,  
34, 98, 46, 34, 46, 46, 226, 46, 238, 238, 238, 238, 238, 238, 238, 238, 238, 238,  
238, 235,  
235, 187, 187, 235, 235, 187, 235, 190, 187, 187, 187, 187, 187, 187, 187, 187, 179, 179,  
51, 59, 59,  
51, 179, 179, 51, 51, 51, 51, 51, 51, 51, 51, 51, 51, 136, 56, 136, 136, 136, 136, 136,  
59, 179, 187, 187, 177, 187, 17, 17, 17, 17, 17, 22, 17, 102, 22, 102, 97, 97, 102,  
102,  
102, 102, 102, 102, 102, 102, 246, 102, 111, 246, 255, 255, 255, 255, 255, 255, 255,  
255, 255, 47,  
255, 47, 47, 255, 47, 47, 34, 34, 255, 242, 47, 34, 242, 242, 242, 34, 242, 34, 34, 34,  
34, 34, 34, 34, 34, 34, 146, 34, 41, 34, 146, 41, 34, 41, 34, 34, 34, 146, 153, 41,  
146, 153, 146, 41, 153, 153, 146, 153, 34, 107, 221, 13, 208, 0, 13, 13, 221, 208, 13,  
221,  
221, 221, 221, 208, 208, 0, 221, 0, 208, 13, 0, 221, 0, 221, 221, 0, 208, 13, 221, 221,  
221, 221, 221, 13, 208, 221, 208, 222, 158, 158, 61, 221, 0, 208, 0, 0, 13, 221, 0, 13,  
221, 0, 208, 13, 13, 208, 13, 0, 221, 208, 13, 13, 208, 208, 0, 208, 0, 13, 13, 208,  
13, 221, 221, 221, 13, 221, 208, 221, 208, 221, 3, 233, 153, 233, 237, 221, 221, 208,  
0, 13,  
13, 0, 13, 0, 13, 208, 211, 190, 238, 238, 238, 238, 238, 238, 238, 238, 238, 238, 238,  
238, 235,

235, 221, 13, 13, 221, 13, 221, 208, 221, 0, 13, 221, 13, 25, 153, 158, 158, 61, 221,  
221,  
13, 221, 0, 221, 13, 0, 208, 208, 208, 222, 41, 153, 146, 146, 146, 146, 146, 153, 41,  
146,  
41, 153, 34, 34, 146, 146, 146, 153, 34, 34, 34, 41, 34, 34, 34, 38, 98, 98, 38, 146,  
102, 46, 34, 238, 226, 233, 238, 226, 46, 46, 226, 238, 46, 238, 238, 238, 238, 238,  
235, 238,  
190, 238, 190, 190, 187, 235, 187, 187, 187, 187, 187, 187, 59, 51, 51, 59, 59, 59,  
51, 51,  
51, 51, 51, 51, 51, 51, 51, 136, 56, 56, 56, 136, 136, 56, 136, 56, 136, 136, 136, 136,  
187, 187, 187, 177, 177, 17, 17, 17, 17, 17, 97, 97, 102, 97, 102, 22, 22, 102, 102,  
102,  
102, 102, 102, 102, 102, 255, 111, 255, 255, 111, 255, 246, 255, 255, 255, 255, 255,  
255, 255, 255,  
47, 242, 242, 242, 242, 242, 255, 242, 34, 47, 242, 34, 34, 34, 34, 34, 34, 34, 34, 34,  
34, 34, 34, 34, 34, 34, 41, 34, 34, 41, 34, 41, 34, 146, 146, 153, 41, 34, 146,  
41, 146, 153, 153, 41, 41, 41, 146, 146, 235, 221, 208, 13, 221, 0, 208, 0, 13, 208, 0,  
0, 0, 0, 13, 13, 221, 0, 221, 13, 208, 221, 0, 221, 0, 0, 221, 13, 208, 0, 0,  
0, 0, 0, 208, 13, 0, 13, 222, 153, 238, 61, 221, 13, 13, 221, 221, 208, 0, 221, 208,  
0, 221, 13, 0, 208, 13, 0, 208, 0, 13, 0, 0, 13, 0, 208, 13, 13, 0, 13, 13,  
0, 0, 0, 0, 208, 0, 13, 0, 13, 0, 211, 41, 153, 158, 125, 221, 208, 13, 13, 208,  
208, 221, 208, 221, 208, 13, 3, 238, 238, 238, 238, 238, 238, 238, 238, 238, 238,  
238, 238, 238,  
235, 221, 208, 208, 0, 208, 0, 13, 0, 221, 208, 0, 208, 30, 153, 153, 238, 61, 221, 0,  
208, 0, 221, 0, 208, 221, 13, 13, 13, 142, 34, 153, 153, 153, 153, 41, 153, 41, 146,  
41,  
146, 34, 153, 153, 41, 34, 34, 34, 34, 146, 146, 34, 34, 34, 38, 34, 41, 38, 34, 226,  
34, 233, 238, 34, 46, 238, 34, 238, 238, 226, 238, 238, 238, 238, 238, 238, 187,  
190, 187,  
235, 187, 187, 187, 187, 187, 187, 187, 187, 59, 51, 51, 179, 179, 179, 179, 51, 51,  
51, 51,  
51, 51, 56, 51, 131, 136, 136, 51, 136, 136, 136, 56, 136, 136, 136, 136, 136, 136,  
136, 136,

187, 177, 17, 17, 17, 17, 17, 17, 97, 102, 22, 22, 97, 102, 102, 102, 102, 102, 102,  
102,  
102, 102, 102, 102, 111, 102, 246, 111, 111, 255, 255, 255, 255, 255, 255, 255, 255,  
255, 255, 242,  
242, 255, 255, 47, 47, 34, 34, 47, 47, 34, 34, 242, 242, 242, 47, 34, 34, 242, 34, 34,  
34, 34, 34, 41, 34, 34, 41, 34, 34, 146, 34, 41, 34, 146, 41, 41, 34, 146, 153, 41,  
146, 41, 41, 34, 153, 146, 153, 41, 34, 107, 208, 13, 0, 0, 221, 0, 208, 208, 13, 221,  
221, 221, 221, 208, 208, 0, 221, 0, 208, 13, 0, 221, 0, 221, 221, 0, 208, 13, 221, 221,  
221, 221, 221, 13, 208, 221, 208, 142, 158, 158, 61, 221, 0, 208, 0, 0, 13, 208, 0, 13,  
221, 0, 208, 221, 141, 221, 61, 221, 211, 221, 221, 61, 221, 211, 221, 221, 221, 221,  
221, 0,  
221, 221, 221, 221, 13, 221, 208, 221, 208, 221, 3, 233, 153, 153, 237, 221, 208,  
208, 208, 13,  
13, 0, 13, 0, 13, 208, 219, 233, 153, 158, 153, 158, 153, 158, 158, 153, 158, 158,  
158, 158,  
231, 221, 208, 13, 13, 13, 221, 208, 221, 0, 13, 221, 13, 25, 153, 153, 158, 61, 221,  
208,  
13, 13, 0, 221, 0, 0, 208, 208, 208, 222, 41, 146, 153, 41, 153, 153, 41, 146, 153,  
153,  
41, 153, 34, 34, 34, 146, 146, 146, 34, 34, 34, 34, 34, 38, 34, 34, 230, 34, 226, 46,  
46, 46, 34, 238, 226, 238, 238, 233, 238, 238, 238, 238, 238, 238, 238, 235, 235, 187,  
238, 235, 190,  
187, 235, 187, 187, 187, 187, 187, 179, 51, 179, 187, 179, 59, 51, 51, 51, 51, 51, 51,  
51,  
51, 211, 211, 56, 56, 56, 56, 136, 136, 136, 136, 136, 136, 136, 136, 136, 136, 136,  
136, 136,  
17, 17, 17, 17, 17, 17, 22, 102, 22, 22, 102, 102, 31, 102, 102, 102, 102, 102, 102,  
102,  
102, 102, 102, 111, 246, 255, 255, 255, 255, 255, 255, 255, 255, 255, 255, 255, 255,  
255, 242, 255,  
255, 242, 47, 242, 242, 255, 242, 242, 242, 242, 242, 34, 34, 34, 34, 34, 34, 34,  
34,  
34, 34, 34, 34, 34, 146, 34, 34, 146, 41, 41, 34, 41, 41, 34, 34, 146, 41, 34, 146,



41, 146, 146, 153, 41, 41, 146, 153, 146, 107, 221, 13, 13, 208, 0, 221, 13, 13, 208,  
0,  
0, 0, 0, 13, 13, 221, 0, 221, 13, 208, 221, 0, 221, 0, 0, 221, 13, 208, 0, 0,  
0, 0, 0, 208, 13, 0, 13, 222, 41, 151, 61, 208, 221, 0, 221, 13, 0, 13, 221, 208,  
0, 221, 219, 30, 238, 238, 238, 238, 238, 238, 238, 238, 238, 238, 238, 238, 238, 238,  
238, 189, 208,  
0, 0, 0, 0, 208, 0, 13, 0, 13, 0, 221, 153, 153, 238, 125, 221, 13, 0, 208, 208,  
0, 221, 0, 221, 208, 13, 11, 158, 158, 153, 158, 153, 158, 153, 153, 158, 153, 153,  
153, 158,  
238, 221, 208, 208, 208, 208, 0, 13, 0, 208, 208, 0, 208, 226, 153, 153, 238, 61, 221,  
13,  
208, 208, 208, 0, 221, 208, 13, 13, 13, 142, 34, 153, 153, 153, 41, 41, 153, 41, 146,  
146,  
146, 34, 153, 153, 146, 41, 41, 34, 146, 34, 34, 146, 38, 41, 34, 226, 146, 226, 158,  
34,  
233, 233, 238, 46, 46, 158, 158, 238, 238, 238, 238, 238, 238, 238, 235, 238, 190, 238,  
187, 190, 187,  
187, 187, 190, 187, 187, 59, 51, 187, 187, 51, 51, 51, 51, 51, 51, 51, 51, 51, 211, 61,  
221, 61, 61, 216, 131, 136, 131, 136, 136, 136, 136, 136, 136, 136, 136, 136, 8, 128,  
8, 0,  
17, 17, 17, 17, 97, 102, 97, 97, 102, 102, 22, 102, 102, 102, 102, 102, 102, 102, 102,  
102,  
102, 102, 102, 246, 111, 255, 111, 111, 111, 255, 255, 255, 255, 255, 255, 255, 255,  
255, 255, 242,  
242, 47, 242, 47, 47, 34, 47, 34, 34, 47, 47, 34, 242, 47, 47, 34, 242, 34, 34, 34,  
34, 34, 34, 34, 34, 34, 146, 41, 34, 34, 34, 146, 146, 34, 146, 146, 41, 146, 153, 41,  
146, 41, 153, 41, 146, 153, 41, 146, 34, 235, 221, 0, 208, 13, 208, 0, 13, 0, 13, 13,  
221, 221, 221, 208, 208, 0, 221, 0, 208, 13, 0, 208, 0, 221, 221, 0, 208, 13, 221, 221,  
221, 221, 221, 13, 0, 221, 0, 222, 158, 158, 61, 221, 0, 208, 0, 208, 208, 208, 0, 13,  
13, 0, 222, 238, 238, 238, 238, 238, 238, 238, 238, 238, 238, 238, 238, 238, 238, 238,  
231, 237, 221,  
13, 208, 208, 221, 13, 13, 208, 208, 208, 208, 3, 233, 153, 153, 237, 221, 208, 208,  
13, 13,

208, 0, 208, 0, 13, 208, 219, 41, 153, 153, 153, 153, 153, 153, 153, 153, 153, 153, 153, 153, 153,  
153, 153,  
238, 221, 221, 0, 208, 13, 13, 208, 221, 13, 13, 208, 0, 25, 153, 158, 158, 61, 221,  
208,  
0, 208, 13, 208, 0, 13, 208, 208, 208, 222, 41, 153, 41, 41, 153, 146, 146, 153, 41,  
41,  
153, 153, 34, 34, 41, 146, 34, 34, 34, 41, 34, 34, 41, 46, 46, 146, 226, 158, 233, 226,  
46, 238, 226, 233, 238, 238, 238, 238, 238, 238, 238, 238, 238, 238, 235, 238, 235, 235, 187,  
235, 123, 235,  
126, 59, 187, 59, 59, 179, 179, 51, 51, 179, 179, 51, 51, 51, 51, 51, 211, 211, 61,  
211,  
51, 221, 211, 131, 136, 136, 136, 136, 136, 136, 136, 136, 136, 136, 8, 0, 0, 128, 8, 128,  
128,  
17, 225, 230, 102, 22, 22, 102, 111, 102, 102, 102, 102, 102, 102, 102, 102, 102, 102,  
102, 102, 102,  
246, 255, 255, 111, 246, 111, 255, 255, 255, 255, 255, 255, 255, 255, 255, 255, 255, 255,  
255, 242, 47,  
47, 242, 255, 242, 242, 242, 242, 47, 47, 34, 34, 34, 34, 34, 34, 34, 34, 34, 34, 34, 34,  
34, 34, 34, 41, 34, 34, 34, 34, 34, 41, 34, 34, 34, 146, 41, 41, 34, 41, 34, 146,  
41, 146, 34, 153, 41, 146, 153, 41, 146, 107, 208, 208, 13, 0, 13, 13, 0, 221, 208,  
208,  
0, 0, 0, 13, 0, 208, 0, 221, 0, 208, 13, 13, 208, 0, 0, 208, 13, 0, 0, 0,  
0, 0, 0, 208, 221, 0, 221, 142, 153, 238, 61, 221, 13, 13, 208, 13, 13, 13, 13, 208,  
208, 208, 222, 46, 158, 158, 158, 158, 158, 158, 158, 158, 158, 158, 158, 158, 158, 158,  
158, 125, 221,  
0, 13, 13, 0, 208, 208, 13, 13, 13, 13, 3, 153, 153, 158, 125, 221, 0, 208, 208, 0,  
13, 13, 13, 221, 0, 13, 11, 153, 153, 153, 153, 153, 153, 153, 153, 153, 153, 153,  
153, 153,  
231, 221, 208, 208, 13, 0, 208, 13, 0, 208, 208, 13, 221, 30, 153, 153, 238, 61, 221,  
0,  
208, 13, 0, 13, 0, 208, 0, 13, 0, 222, 41, 41, 153, 153, 146, 153, 153, 146, 153, 146,  
146, 34, 153, 153, 34, 41, 41, 41, 41, 34, 34, 34, 38, 153, 41, 98, 150, 233, 158, 46,





208, 13, 0, 208, 208, 0, 208, 221, 0, 221, 3, 233, 153, 153, 237, 221, 0, 208, 208, 0,  
208, 13, 13, 0, 13, 208, 11, 153, 153, 153, 153, 153, 153, 153, 153, 153, 153, 153,  
153, 153,  
158, 221, 208, 0, 0, 208, 208, 0, 221, 13, 13, 13, 13, 25, 153, 153, 153, 238, 238,  
235,  
235, 238, 238, 190, 235, 235, 190, 190, 238, 233, 153, 153, 153, 153, 153, 146, 146,  
153, 41, 153,  
34, 146, 34, 146, 146, 41, 34, 146, 41, 34, 34, 34, 41, 102, 38, 150, 41, 46, 34, 41,  
226, 226, 233, 226, 226, 238, 238, 238, 233, 238, 190, 238, 238, 126, 190, 238, 183,  
235, 190, 183,  
187, 123, 187, 59, 183, 59, 51, 179, 51, 51, 51, 51, 51, 51, 51, 221, 211, 211, 221,  
221,  
211, 221, 141, 141, 136, 136, 8, 8, 0, 136, 136, 0, 136, 8, 0, 8, 128, 128, 0, 0,  
110, 102, 102, 102, 22, 102, 102, 102, 102, 102, 102, 102, 102, 102, 102, 102, 102,  
102, 255, 246,  
246, 255, 246, 246, 255, 255, 255, 255, 255, 255, 255, 255, 255, 255, 255, 255, 242,  
242, 255, 34,  
255, 47, 255, 242, 255, 242, 47, 242, 47, 47, 34, 34, 242, 34, 34, 34, 34, 34, 34, 34,  
34, 34, 34, 34, 34, 146, 41, 34, 34, 34, 34, 41, 34, 41, 34, 34, 146, 41, 41, 146,  
41, 146, 41, 146, 41, 146, 41, 153, 34, 107, 208, 208, 208, 13, 13, 0, 13, 13, 208, 0,  
13, 0, 221, 141, 221, 221, 221, 211, 221, 141, 141, 221, 221, 221, 221, 221, 221,  
221, 221, 221,  
211, 221, 221, 221, 221, 221, 61, 190, 153, 158, 61, 221, 0, 0, 208, 208, 208, 208,  
13, 13,  
13, 13, 222, 153, 153, 153, 153, 153, 153, 153, 153, 153, 153, 153, 153, 153, 153, 153,  
153, 227, 221,  
13, 208, 13, 0, 13, 208, 13, 0, 208, 0, 3, 153, 153, 238, 125, 221, 13, 13, 0, 208,  
0, 0, 208, 221, 0, 0, 209, 153, 153, 153, 153, 153, 153, 153, 153, 153, 153, 153, 153,  
153,  
238, 221, 208, 208, 208, 0, 0, 208, 0, 0, 208, 0, 0, 30, 153, 153, 233, 233, 238, 238,  
238, 238, 238, 238, 238, 233, 238, 238, 238, 153, 233, 153, 153, 41, 41, 41, 153, 41,  
146, 146,  
153, 41, 153, 41, 41, 34, 146, 34, 34, 41, 34, 34, 34, 153, 41, 105, 102, 41, 98, 230,



246, 255, 255, 111, 255, 255, 111, 255, 255, 255, 255, 255, 255, 255, 255, 255, 255,  
255, 242, 242,  
242, 255, 255, 242, 255, 34, 47, 34, 255, 34, 47, 34, 34, 34, 34, 47, 34, 242, 34, 34,  
34, 34, 34, 34, 34, 34, 146, 41, 34, 41, 34, 146, 146, 34, 34, 41, 34, 153, 41, 34,  
41, 146, 41, 34, 41, 34, 153, 41, 34, 235, 208, 208, 208, 0, 208, 208, 13, 13, 0, 208,  
208, 13, 190, 238, 238, 238, 238, 238, 238, 238, 238, 233, 238, 238, 238, 238, 238,  
238, 238, 238,  
238, 238, 238, 238, 238, 238, 233, 233, 233, 158, 61, 208, 0, 13, 13, 13, 0, 0, 208, 0,  
13, 0, 214, 153, 153, 153, 153, 153, 153, 153, 153, 153, 153, 153, 153, 153, 153, 153,  
153, 227, 221,  
13, 13, 13, 0, 208, 208, 208, 13, 0, 0, 3, 41, 153, 158, 125, 221, 13, 13, 0, 0,  
0, 208, 13, 13, 13, 0, 219, 153, 153, 153, 153, 153, 153, 153, 153, 153, 153, 153,  
153, 153,  
155, 221, 208, 208, 0, 0, 0, 0, 208, 208, 0, 208, 0, 226, 153, 153, 153, 153, 233, 233,  
158, 153, 233, 153, 233, 153, 153, 233, 233, 153, 153, 153, 153, 146, 146, 146, 153,  
41, 153, 146,  
153, 41, 153, 34, 41, 41, 34, 146, 34, 34, 146, 34, 34, 153, 34, 233, 46, 146, 105,  
226,  
146, 46, 158, 46, 46, 34, 46, 226, 46, 238, 158, 238, 158, 238, 238, 238, 238, 238,  
187, 238,  
235, 190, 190, 190, 187, 187, 187, 59, 59, 51, 51, 51, 51, 51, 51, 51, 51, 51, 51, 51, 51, 51, 61, 211, 61, 61,  
211, 211, 141, 136, 136, 136, 136, 8, 141, 136, 0, 128, 8, 136, 128, 128, 8, 0, 128, 0,  
102, 230, 102, 102, 102, 102, 102, 102, 102, 102, 102, 102, 102, 102, 102, 102, 102, 102,  
102, 111, 111,  
111, 102, 246, 246, 111, 255, 255, 111, 111, 255, 255, 255, 255, 255, 255, 255, 255,  
242, 255, 255,  
255, 47, 47, 47, 47, 255, 242, 242, 34, 47, 34, 47, 47, 34, 242, 34, 34, 34, 47, 34,  
34, 34, 34, 34, 41, 34, 34, 34, 34, 34, 34, 34, 34, 146, 146, 146, 146, 34, 34, 153,  
34, 41, 41, 153, 146, 153, 34, 146, 34, 235, 208, 0, 0, 0, 0, 208, 0, 0, 0,  
0, 13, 190, 46, 158, 153, 233, 158, 153, 233, 238, 233, 158, 233, 233, 233, 158, 158,  
158, 233,  
233, 233, 233, 238, 158, 158, 158, 153, 158, 238, 61, 208, 208, 0, 0, 0, 0, 208, 0,  
208,

0, 208, 50, 153, 153, 153, 153, 153, 153, 153, 153, 153, 153, 153, 153, 153, 153,  
153, 227, 221,  
0, 0, 0, 0, 0, 0, 0, 0, 208, 208, 211, 233, 153, 233, 237, 221, 0, 0, 13, 13,  
0, 0, 0, 0, 0, 13, 11, 153, 153, 153, 153, 153, 153, 153, 153, 153, 153, 153, 153, 153, 153,  
46, 221, 0, 0, 208, 0, 208, 0, 0, 0, 208, 0, 208, 25, 153, 153, 153, 153, 153, 153,  
153, 153, 153, 153, 153, 158, 153, 153, 153, 153, 146, 153, 146, 153, 153, 153, 153,  
146, 146, 153,  
34, 146, 34, 153, 34, 34, 146, 41, 34, 146, 34, 34, 34, 38, 34, 150, 41, 102, 158, 38,  
110, 34, 233, 226, 226, 238, 226, 238, 226, 158, 238, 238, 238, 238, 238, 238, 238,  
238, 238, 183,  
238, 235, 235, 187, 190, 187, 187, 123, 187, 183, 179, 179, 51, 51, 51, 51, 51, 61,  
61, 51,  
221, 221, 56, 211, 141, 136, 136, 141, 8, 0, 136, 221, 128, 0, 8, 0, 0, 128, 0, 128,  
102, 102, 22, 102, 102, 102, 102, 102, 102, 102, 102, 102, 102, 102, 102, 102, 102,  
102, 102, 102,  
102, 246, 111, 111, 246, 102, 246, 255, 255, 111, 255, 255, 255, 255, 255, 255, 255,  
255, 242, 242,  
242, 242, 255, 47, 242, 34, 47, 47, 34, 242, 47, 34, 34, 34, 34, 47, 34, 34, 34, 34,  
242, 34, 34, 34, 34, 34, 34, 34, 41, 34, 34, 41, 34, 34, 34, 34, 34, 146, 146, 34,  
153, 146, 146, 34, 41, 41, 41, 41, 34, 235, 221, 0, 208, 208, 0, 0, 0, 208, 208, 13,  
13, 0, 30, 41, 153, 233, 158, 153, 233, 158, 153, 158, 153, 158, 153, 158, 153, 233,  
153, 158,  
153, 158, 153, 153, 233, 153, 153, 153, 153, 158, 61, 208, 0, 0, 13, 0, 13, 0, 208, 13,  
0, 0, 210, 153, 153, 153, 153, 153, 153, 153, 153, 153, 153, 153, 153, 153, 153, 153,  
157, 221,  
0, 208, 13, 13, 0, 13, 13, 0, 0, 0, 13, 153, 153, 158, 125, 221, 0, 208, 0, 0,  
13, 13, 13, 13, 13, 0, 219, 153, 153, 153, 153, 153, 153, 153, 153, 153, 153,  
153, 153,  
155, 221, 208, 0, 0, 208, 0, 208, 13, 0, 0, 208, 0, 238, 153, 153, 153, 153, 153, 153,  
153, 153, 153, 153, 153, 153, 153, 153, 153, 146, 153, 146, 153, 41, 41, 41, 41, 41,  
41, 34,  
153, 41, 153, 34, 153, 41, 34, 34, 34, 34, 34, 34, 34, 34, 46, 34, 46, 146, 233, 34,



146, 226, 238, 158, 158, 34, 46, 46, 46, 46, 233, 233, 238, 238, 238, 238, 238, 238,  
238, 238,  
190, 190, 190, 126, 187, 235, 235, 187, 187, 179, 187, 179, 187, 115, 51, 51, 51, 51,  
51, 221,  
51, 61, 211, 141, 136, 141, 141, 136, 141, 136, 128, 0, 216, 216, 128, 136, 128, 8, 0,  
8,  
102, 102, 102, 97, 102, 102, 102, 102, 102, 102, 102, 102, 102, 102, 102, 102, 102,  
102, 102, 102,  
102, 102, 102, 246, 111, 255, 111, 102, 111, 255, 255, 255, 255, 255, 255, 255, 255,  
255, 255, 47,  
47, 255, 47, 242, 47, 255, 242, 242, 242, 47, 34, 47, 34, 242, 242, 34, 34, 47, 34, 34,  
34, 34, 34, 34, 34, 34, 34, 34, 34, 34, 146, 34, 41, 34, 41, 41, 34, 41, 34, 146,  
34, 34, 41, 41, 41, 34, 146, 146, 38, 235, 208, 0, 0, 0, 208, 208, 208, 0, 13, 0,  
0, 221, 25, 153, 153, 153, 153, 153, 153, 153, 153, 153, 153, 153, 153, 153, 153,  
153, 153, 153,  
153, 153, 153, 153, 153, 153, 153, 153, 153, 153, 238, 61, 208, 208, 208, 0, 13, 0, 0, 0, 0,  
208, 208, 50, 153, 153, 153, 153, 153, 153, 153, 153, 153, 153, 153, 153, 153, 153,  
153, 237, 208,  
0, 0, 0, 0, 13, 0, 0, 208, 208, 208, 211, 233, 153, 153, 237, 221, 0, 0, 208, 0,  
0, 0, 0, 0, 0, 0, 11, 41, 153, 153, 153, 153, 153, 153, 153, 153, 153, 153, 153, 153,  
46, 221, 0, 208, 0, 0, 0, 13, 0, 208, 208, 0, 208, 25, 153, 153, 153, 153, 153, 153,  
153, 153, 153, 153, 153, 153, 153, 153, 153, 153, 153, 153, 153, 153, 153, 146, 153,  
153, 153, 153,  
146, 146, 34, 146, 34, 146, 41, 34, 146, 34, 41, 34, 34, 34, 153, 34, 34, 226, 158, 46,  
98, 34, 146, 226, 226, 238, 226, 226, 238, 233, 238, 238, 238, 238, 238, 238, 238,  
231, 190, 190,  
235, 238, 235, 235, 235, 187, 183, 187, 235, 187, 187, 187, 179, 59, 187, 51, 51, 51,  
51, 51,  
61, 51, 211, 51, 216, 56, 136, 136, 141, 136, 216, 136, 8, 0, 136, 0, 8, 128, 128, 128,  
238, 230, 22, 102, 22, 22, 102, 22, 102, 97, 102, 102, 102, 102, 102, 102, 102, 102,  
102, 102,  
102, 102, 102, 111, 102, 102, 246, 255, 246, 246, 111, 246, 255, 255, 255, 255, 255,  
242, 255, 255,

255, 47, 242, 255, 242, 47, 34, 47, 47, 34, 47, 34, 242, 34, 34, 242, 47, 34, 34, 242,  
34, 242, 34, 34, 34, 34, 34, 34, 34, 34, 34, 34, 34, 41, 34, 34, 41, 34, 41, 34,  
41, 41, 34, 34, 34, 146, 34, 41, 34, 235, 221, 0, 208, 0, 0, 0, 0, 208, 0, 208,  
208, 0, 238, 146, 153, 153, 153, 153, 153, 153, 153, 153, 153, 153, 153, 153, 153,  
153, 153, 153,  
153, 153, 153, 153, 153, 153, 153, 153, 153, 158, 61, 208, 0, 0, 208, 0, 13, 13, 13, 0,  
0, 0, 210, 153, 153, 153, 153, 153, 153, 153, 153, 153, 153, 153, 153, 153, 153, 153,  
157, 208,  
208, 208, 0, 13, 0, 13, 0, 0, 0, 0, 3, 41, 153, 238, 125, 221, 0, 208, 0, 0,  
208, 208, 208, 208, 208, 208, 209, 153, 153, 153, 153, 153, 153, 153, 153, 153, 153,  
153, 153, 153,  
155, 221, 208, 0, 13, 0, 208, 0, 0, 0, 0, 208, 0, 226, 153, 153, 153, 153, 153, 153,  
153, 153, 153, 153, 233, 153, 158, 153, 146, 153, 41, 153, 41, 41, 146, 153, 153, 41,  
41, 34,  
146, 146, 153, 41, 41, 34, 146, 146, 34, 34, 34, 34, 34, 46, 46, 46, 34, 146, 226, 34,  
34, 238, 238, 158, 46, 34, 46, 46, 34, 238, 238, 158, 238, 158, 238, 238, 238, 238,  
238, 235,  
238, 187, 183, 190, 190, 190, 187, 235, 187, 187, 187, 187, 123, 187, 59, 187, 179,  
179, 51, 51,  
51, 51, 61, 211, 211, 216, 56, 136, 136, 136, 136, 136, 216, 136, 8, 136, 128, 128, 8,  
0,  
225, 225, 97, 22, 97, 97, 22, 97, 97, 102, 97, 97, 97, 97, 102, 22, 102, 102, 102, 102,  
102, 102, 102, 102, 102, 255, 111, 102, 111, 255, 246, 255, 255, 255, 255, 255,  
255, 242, 255,  
47, 242, 47, 34, 255, 242, 255, 34, 242, 242, 34, 34, 34, 242, 34, 34, 34, 34, 34, 34,  
242, 34, 34, 34, 34, 34, 34, 34, 34, 34, 34, 34, 34, 34, 34, 34, 34, 34, 34, 41,  
34, 34, 146, 153, 41, 34, 146, 146, 46, 227, 221, 0, 0, 208, 0, 208, 208, 13, 0, 0,  
0, 221, 185, 153, 153, 153, 153, 153, 153, 153, 153, 153, 153, 153, 153, 153, 153,  
153, 153, 153,  
153, 153, 153, 153, 153, 153, 153, 153, 153, 238, 61, 208, 13, 0, 0, 208, 0, 0, 0, 208,  
208, 208, 62, 153, 153, 153, 153, 153, 153, 153, 153, 153, 153, 153, 153, 153, 153,  
153, 237, 208,  
0, 0, 208, 0, 13, 0, 208, 208, 208, 208, 221, 233, 153, 153, 237, 221, 0, 0, 0, 208,

0, 0, 0, 0, 0, 0, 11, 41, 153, 153, 153, 153, 153, 153, 153, 153, 153, 153, 153, 153, 153, 153, 153,  
155, 221, 0, 13, 0, 13, 0, 208, 208, 208, 208, 13, 0, 18, 153, 153, 153, 153, 153, 153,  
153, 153, 153, 153, 153, 153, 153, 153, 153, 153, 153, 153, 41, 153, 153, 153, 146, 153,  
146, 153, 153,  
146, 153, 34, 146, 146, 146, 34, 41, 34, 146, 34, 34, 34, 41, 41, 41, 226, 226, 150,  
34,  
238, 146, 146, 226, 226, 238, 226, 238, 238, 46, 46, 238, 238, 238, 238, 158, 238,  
238, 190, 190,  
123, 238, 235, 235, 187, 187, 123, 187, 187, 183, 187, 187, 59, 179, 187, 51, 59, 51,  
179, 51,  
51, 51, 51, 51, 51, 51, 131, 131, 56, 136, 136, 136, 136, 136, 136, 8, 8, 8, 128, 136,  
30, 17, 22, 17, 22, 22, 17, 22, 22, 17, 102, 22, 102, 102, 22, 97, 102, 102, 102, 102,  
102, 102, 102, 102, 102, 102, 246, 255, 246, 111, 255, 246, 246, 255, 255, 255, 255,  
255, 255, 47,  
242, 255, 242, 255, 34, 47, 34, 242, 34, 47, 242, 34, 242, 34, 242, 242, 242, 34, 242,  
34,  
34, 34, 242, 34, 34, 34, 34, 34, 34, 34, 34, 34, 34, 34, 34, 34, 34, 34, 34, 34, 34,  
34, 34, 34, 98, 34, 34, 34, 41, 233, 235, 221, 0, 0, 0, 0, 0, 0, 208, 208,  
208, 13, 230, 153, 153, 153, 153, 153, 153, 153, 153, 153, 153, 153, 153, 153, 153, 153,  
153, 153, 153,  
153, 153, 153, 153, 153, 153, 153, 153, 153, 153, 158, 61, 208, 0, 0, 0, 0, 208, 13, 0, 0,  
0, 0, 217, 153, 153, 153, 153, 153, 153, 153, 153, 153, 153, 153, 153, 153, 153, 153, 153,  
157, 208,  
13, 0, 0, 208, 0, 0, 0, 0, 0, 0, 3, 153, 153, 158, 125, 208, 13, 0, 13, 0,  
13, 13, 13, 0, 208, 208, 1, 158, 153, 153, 153, 153, 153, 153, 153, 153, 153, 153,  
153, 153,  
158, 221, 208, 0, 0, 0, 0, 0, 0, 0, 0, 13, 18, 153, 153, 158, 187, 179, 179,  
179, 179, 179, 51, 187, 51, 187, 179, 179, 226, 153, 153, 146, 146, 146, 153, 41, 41,  
146, 146,  
146, 34, 153, 34, 34, 41, 41, 34, 34, 34, 146, 34, 34, 46, 150, 98, 34, 158, 98, 226,  
146, 238, 238, 46, 46, 34, 238, 46, 46, 226, 226, 238, 158, 238, 238, 238, 238, 238,  
238, 238,

238, 235, 126, 190, 235, 235, 187, 190, 187, 187, 187, 187, 187, 59, 51, 187, 115,  
179, 51, 179,  
59, 51, 51, 51, 61, 61, 51, 61, 131, 56, 56, 141, 136, 136, 136, 136, 136, 136, 8, 0,  
17, 17, 17, 17, 17, 17, 22, 17, 97, 97, 17, 97, 17, 22, 97, 102, 102, 22, 102, 102,  
102, 102, 102, 102, 102, 111, 102, 102, 111, 246, 111, 111, 255, 255, 255, 255, 255,  
255, 47, 242,  
255, 47, 47, 242, 255, 242, 255, 47, 255, 34, 34, 34, 47, 47, 34, 34, 34, 242, 34, 242,  
242, 242, 34, 242, 47, 47, 34, 47, 34, 34, 34, 34, 34, 34, 34, 34, 34, 34, 146,  
34, 146, 34, 146, 41, 34, 41, 233, 158, 227, 221, 0, 13, 0, 0, 13, 13, 0, 0, 0,  
0, 13, 185, 41, 153, 153, 153, 153, 153, 153, 153, 153, 153, 153, 153, 153, 153, 153, 153,  
153, 153,  
153, 153, 153, 153, 153, 153, 153, 153, 153, 158, 61, 208, 13, 13, 0, 0, 13, 0, 208,  
208,  
208, 208, 62, 153, 153, 153, 153, 153, 153, 153, 153, 153, 153, 153, 153, 153, 153,  
153, 237, 208,  
0, 0, 208, 0, 208, 208, 208, 208, 208, 208, 3, 233, 153, 233, 125, 221, 0, 13, 0, 0,  
208, 0, 0, 208, 0, 13, 11, 153, 153, 153, 153, 153, 153, 153, 153, 153, 153, 153, 153,  
153,  
43, 221, 0, 13, 13, 0, 13, 13, 13, 13, 13, 13, 0, 226, 153, 153, 153, 61, 213, 221,  
93, 93, 213, 213, 221, 93, 221, 213, 221, 222, 153, 146, 153, 153, 153, 146, 153,  
153, 41, 41,  
153, 153, 34, 153, 153, 34, 146, 34, 146, 34, 34, 41, 34, 41, 105, 34, 46, 41, 34, 46,  
238, 146, 34, 226, 226, 238, 46, 226, 238, 238, 238, 238, 238, 238, 238, 238, 238,  
238, 126, 235,  
235, 238, 235, 235, 190, 190, 190, 187, 183, 187, 187, 59, 59, 59, 187, 51, 51, 51,  
179, 59,  
51, 51, 51, 51, 51, 51, 61, 51, 61, 51, 131, 56, 56, 136, 136, 136, 136, 136, 136, 136,  
177, 17, 17, 17, 17, 17, 17, 17, 17, 22, 97, 97, 102, 97, 102, 22, 22, 102, 22, 102,  
102, 102, 102, 102, 102, 255, 255, 246, 111, 246, 255, 255, 255, 255, 255, 255,  
255, 255, 255,  
47, 242, 255, 47, 242, 255, 34, 242, 34, 255, 242, 47, 34, 242, 242, 242, 242, 47, 47,  
34,  
34, 34, 242, 47, 34, 34, 255, 34, 34, 47, 242, 38, 34, 34, 34, 34, 98, 34, 34, 98,

46, 34, 46, 41, 238, 146, 226, 158, 238, 235, 221, 0, 0, 0, 208, 0, 0, 13, 13, 13,  
13, 13, 30, 153, 153, 153, 153, 153, 153, 153, 153, 153, 153, 153, 153, 153, 153,  
153, 153, 153,  
153, 153, 153, 153, 153, 153, 153, 153, 153, 153, 158, 221, 0, 0, 0, 13, 0, 0, 0, 0,  
0, 0, 217, 153, 153, 153, 153, 153, 153, 153, 153, 153, 153, 153, 153, 153, 153, 153, 153,  
157, 208,  
13, 0, 0, 0, 0, 0, 0, 0, 0, 0, 211, 41, 153, 158, 237, 208, 0, 0, 0, 0,  
0, 13, 0, 0, 208, 0, 219, 233, 153, 153, 153, 153, 153, 153, 153, 153, 153, 153, 153,  
153,  
158, 221, 13, 0, 0, 13, 0, 0, 0, 0, 0, 0, 18, 158, 153, 238, 61, 123, 119,  
183, 183, 123, 123, 119, 183, 119, 123, 80, 217, 34, 153, 146, 146, 146, 153, 41, 34,  
153, 146,  
41, 34, 153, 34, 34, 153, 34, 146, 34, 146, 41, 34, 34, 34, 38, 38, 34, 226, 226, 233,  
153, 238, 46, 46, 46, 46, 233, 238, 226, 238, 238, 233, 238, 238, 238, 238, 235, 238,  
235, 238,  
238, 190, 190, 190, 235, 123, 235, 235, 187, 235, 187, 183, 187, 179, 179, 179, 187,  
51, 59, 51,  
51, 51, 51, 51, 211, 51, 51, 211, 51, 136, 56, 131, 136, 56, 136, 56, 136, 136, 136,  
136,  
27, 177, 27, 17, 17, 17, 17, 17, 22, 17, 17, 22, 17, 22, 22, 102, 102, 22, 102, 22,  
102, 102, 102, 102, 102, 102, 102, 102, 111, 246, 255, 255, 255, 255, 255, 255, 255,  
255, 255, 255,  
255, 47, 242, 255, 47, 47, 255, 47, 255, 34, 47, 242, 255, 34, 47, 47, 34, 34, 34, 47,  
47, 34, 34, 47, 47, 242, 34, 255, 111, 98, 38, 34, 38, 38, 38, 34, 34, 226, 34, 158,  
153, 46, 41, 226, 153, 233, 158, 153, 158, 227, 221, 0, 0, 0, 0, 0, 208, 0, 0, 0,  
0, 13, 25, 41, 233, 153, 153, 153, 153, 153, 153, 153, 153, 153, 153, 153, 153, 153, 153,  
153, 153,  
153, 153, 153, 153, 153, 153, 153, 153, 153, 153, 158, 221, 208, 0, 0, 0, 13, 0, 208, 13, 0,  
208, 13, 62, 153, 153, 153, 153, 153, 153, 153, 153, 153, 153, 153, 153, 153, 153,  
153, 237, 208,  
0, 0, 0, 13, 0, 13, 0, 208, 13, 0, 13, 233, 153, 158, 125, 221, 0, 208, 0, 208,  
0, 0, 13, 0, 0, 208, 1, 153, 153, 153, 153, 153, 153, 153, 153, 153, 153, 153, 153,  
153,

155, 221, 0, 0, 0, 0, 0, 0, 13, 0, 208, 13, 13, 18, 153, 153, 158, 61, 221, 221,  
221, 221, 13, 221, 208, 221, 0, 141, 0, 62, 153, 153, 41, 41, 153, 41, 153, 153, 146,  
153,  
146, 153, 34, 153, 146, 34, 41, 34, 146, 41, 34, 34, 34, 34, 41, 34, 34, 150, 146, 46,  
230, 34, 226, 226, 238, 226, 238, 226, 238, 233, 238, 238, 238, 238, 238, 235, 238,  
187, 238, 187,  
183, 235, 235, 235, 190, 187, 187, 190, 187, 187, 235, 187, 187, 187, 187, 123, 51,  
187, 51, 51,  
179, 51, 51, 51, 51, 211, 211, 61, 61, 51, 131, 56, 51, 131, 56, 136, 131, 136, 136,  
136,  
187, 187, 187, 187, 177, 17, 17, 17, 17, 22, 17, 97, 102, 97, 102, 22, 22, 102, 102,  
102,  
102, 102, 102, 102, 102, 111, 255, 255, 255, 255, 255, 255, 255, 255, 255, 255, 255,  
255, 255, 255,  
255, 255, 255, 255, 255, 47, 255, 34, 255, 255, 34, 34, 255, 34, 242, 47, 47, 47,  
34,  
34, 242, 255, 34, 242, 47, 98, 98, 34, 38, 98, 98, 98, 34, 41, 226, 226, 158, 34, 233,  
238, 41, 226, 46, 238, 158, 233, 238, 238, 227, 221, 0, 208, 0, 0, 0, 0, 0, 0,  
0, 0, 30, 153, 153, 153, 153, 153, 153, 153, 153, 153, 153, 153, 153, 153, 153, 153,  
153, 153,  
153, 153, 153, 153, 153, 153, 153, 153, 153, 158, 221, 208, 13, 0, 0, 0, 0, 0, 0,  
0, 0, 217, 153, 153, 153, 153, 153, 153, 153, 153, 153, 153, 153, 153, 153, 153, 153, 153,  
157, 0,  
0, 13, 0, 0, 13, 0, 0, 0, 0, 0, 3, 153, 153, 233, 237, 208, 0, 0, 0, 0,  
13, 13, 0, 13, 0, 0, 11, 153, 153, 153, 153, 153, 153, 153, 153, 153, 153, 153, 153,  
153,  
46, 221, 0, 0, 208, 0, 13, 13, 0, 0, 0, 0, 0, 226, 153, 153, 238, 61, 221, 0,  
0, 0, 0, 0, 0, 208, 0, 0, 0, 142, 46, 153, 153, 153, 41, 146, 146, 146, 41, 41,  
41, 34, 153, 34, 41, 41, 146, 146, 41, 34, 34, 146, 41, 34, 34, 34, 46, 34, 98, 233,  
146, 226, 46, 158, 34, 46, 46, 238, 226, 238, 238, 238, 238, 235, 235, 238, 190, 126,  
187, 235,  
235, 187, 187, 183, 187, 190, 187, 187, 123, 187, 187, 187, 187, 187, 187, 187, 59, 187,  
51, 187, 115,

51, 59, 51, 51, 51, 51, 61, 51, 51, 136, 56, 136, 136, 136, 131, 131, 136, 56, 136,  
136,  
187, 177, 177, 177, 27, 17, 17, 17, 17, 17, 97, 22, 17, 102, 22, 102, 102, 102, 102,  
102,  
102, 102, 102, 102, 102, 102, 111, 102, 246, 111, 102, 246, 246, 255, 246, 255, 255,  
255, 255, 255,  
255, 242, 255, 47, 242, 242, 242, 242, 255, 242, 34, 255, 242, 34, 242, 34, 242, 34,  
34, 47,  
34, 47, 34, 255, 34, 98, 34, 34, 255, 242, 38, 38, 46, 46, 230, 34, 158, 105, 226, 46,  
66, 42, 148, 41, 73, 73, 70, 73, 73, 78, 238, 17, 179, 61, 208, 208, 0, 0, 0, 0,  
208, 13, 25, 46, 153, 153, 153, 153, 153, 153, 153, 153, 153, 153, 153, 153, 153,  
153, 153, 153,  
153, 153, 153, 153, 153, 153, 153, 153, 153, 153, 158, 221, 0, 0, 0, 0, 0, 208, 13, 0, 208,  
13, 0, 62, 153, 153, 153, 153, 153, 153, 153, 153, 153, 153, 153, 153, 153, 153, 153,  
237, 208,  
0, 0, 0, 0, 0, 0, 208, 13, 0, 208, 3, 233, 153, 158, 125, 221, 0, 0, 0, 0,  
0, 0, 0, 0, 0, 0, 1, 41, 153, 153, 153, 153, 153, 153, 153, 153, 153, 153, 153, 153,  
155, 221, 0, 0, 0, 0, 0, 0, 0, 208, 13, 0, 0, 18, 153, 158, 158, 61, 208, 0,  
0, 0, 0, 0, 0, 0, 13, 0, 222, 153, 153, 41, 41, 146, 153, 41, 41, 146, 146,  
146, 146, 146, 41, 146, 146, 34, 41, 34, 146, 146, 34, 146, 34, 146, 34, 34, 41, 34, 34, 46,  
98, 158, 34, 226, 238, 226, 226, 226, 238, 238, 238, 238, 238, 238, 238, 238, 235, 235,  
235, 231, 190,  
187, 235, 123, 187, 187, 179, 123, 187, 187, 187, 187, 59, 179, 187, 51, 187, 59,  
187, 51, 59,  
59, 51, 51, 51, 51, 51, 51, 61, 61, 51, 131, 51, 131, 56, 136, 136, 136, 136, 136, 56,  
187, 187, 27, 17, 177, 177, 17, 17, 17, 97, 22, 97, 102, 22, 97, 102, 102, 102, 102,  
102,  
102, 102, 102, 102, 102, 111, 102, 246, 111, 246, 255, 111, 111, 102, 255, 246, 255,  
111, 255, 255,  
255, 255, 255, 255, 255, 255, 255, 255, 255, 34, 47, 242, 34, 34, 242, 47, 34, 34, 47, 47,  
34,  
242, 242, 255, 47, 98, 36, 34, 34, 34, 47, 242, 98, 98, 105, 41, 238, 233, 78, 146, 73,  
36, 41, 146, 66, 146, 36, 41, 146, 34, 41, 73, 148, 34, 246, 225, 51, 208, 0, 0, 0,

0, 13, 190, 153, 153, 153, 233, 153, 153, 153, 153, 153, 153, 153, 153, 153, 153,  
153, 153, 153,  
153, 153, 153, 153, 153, 153, 153, 153, 153, 153, 158, 221, 208, 0, 0, 0, 0, 0, 0, 0,  
0, 0, 217, 153, 153, 153, 153, 153, 153, 153, 153, 153, 153, 153, 153, 153, 153, 153,  
157, 0,  
0, 0, 0, 0, 0, 0, 0, 0, 0, 0, 13, 153, 153, 233, 237, 208, 0, 0, 0, 0,  
0, 0, 0, 0, 0, 208, 11, 153, 153, 153, 153, 153, 153, 153, 153, 153, 153, 153, 153,  
153,  
158, 221, 0, 0, 0, 0, 0, 0, 0, 0, 0, 0, 238, 153, 153, 238, 61, 208, 0,  
0, 0, 0, 0, 0, 0, 0, 0, 142, 233, 153, 146, 146, 153, 146, 146, 146, 153, 41,  
153, 41, 41, 146, 34, 41, 41, 34, 146, 34, 34, 146, 34, 34, 146, 34, 34, 34, 34, 41,  
38, 105, 226, 46, 34, 46, 46, 46, 46, 233, 238, 238, 238, 238, 235, 126, 190, 190,  
187, 187,  
183, 187, 190, 187, 187, 187, 179, 179, 179, 179, 51, 179, 115, 51, 187, 51, 179, 51,  
59, 51,  
51, 179, 59, 51, 51, 51, 51, 51, 211, 56, 136, 56, 131, 131, 136, 56, 56, 136, 136,  
187, 177, 177, 177, 17, 17, 17, 17, 97, 22, 22, 22, 22, 102, 102, 102, 102, 102, 102,  
102,  
102, 102, 102, 102, 102, 102, 102, 102, 102, 102, 102, 102, 102, 246, 102, 111, 255,  
255, 246, 255,  
255, 255, 255, 255, 47, 242, 47, 34, 255, 34, 47, 34, 242, 47, 34, 47, 47, 34, 242, 47,  
47, 255, 242, 98, 34, 47, 148, 66, 34, 34, 242, 246, 102, 46, 238, 148, 146, 36, 68,  
36,  
146, 66, 73, 41, 68, 146, 146, 66, 73, 73, 34, 34, 36, 41, 34, 47, 225, 61, 208, 0,  
0, 0, 226, 46, 153, 153, 153, 153, 153, 153, 153, 153, 153, 153, 153, 153, 153, 153,  
153, 153,  
153, 153, 153, 153, 153, 153, 153, 153, 153, 158, 221, 0, 0, 0, 0, 0, 0, 0, 0,  
0, 0, 62, 153, 153, 153, 153, 153, 153, 153, 153, 153, 153, 153, 153, 153, 153, 153,  
237, 208,  
0, 0, 0, 0, 0, 0, 0, 0, 0, 0, 3, 233, 153, 158, 125, 208, 0, 0, 0, 0,  
0, 208, 0, 0, 0, 0, 1, 41, 153, 153, 153, 153, 153, 153, 153, 153, 153, 153, 153,  
43, 221, 0, 0, 0, 0, 0, 0, 0, 0, 0, 25, 153, 153, 158, 61, 208, 0,  
0, 0, 0, 0, 0, 0, 0, 0, 222, 153, 41, 41, 153, 146, 153, 41, 153, 34, 146,



34, 146, 146, 41, 146, 146, 146, 34, 34, 34, 146, 34, 41, 34, 34, 34, 146, 34, 38, 38,  
34, 46, 150, 105, 98, 226, 226, 238, 226, 238, 233, 238, 238, 238, 238, 235, 231,  
235, 126, 190,  
187, 187, 179, 183, 187, 115, 187, 59, 59, 59, 115, 51, 51, 51, 51, 53, 51, 51, 51, 51,  
51, 51, 51, 51, 51, 51, 211, 51, 51, 51, 211, 51, 131, 56, 56, 131, 136, 131, 136, 136,  
177, 187, 27, 17, 17, 17, 17, 17, 17, 97, 97, 102, 102, 102, 102, 102, 22, 102, 102,  
102,  
102, 102, 102, 102, 102, 102, 102, 102, 102, 102, 102, 102, 246, 111, 111, 255, 246, 102,  
246, 255, 255,  
111, 255, 242, 255, 255, 47, 255, 255, 34, 242, 242, 242, 47, 34, 242, 34, 242, 242,  
47, 242,  
242, 242, 246, 38, 100, 68, 146, 36, 66, 34, 255, 255, 246, 100, 148, 34, 68, 146, 34,  
146,  
66, 153, 34, 66, 34, 41, 66, 41, 34, 34, 73, 66, 146, 66, 66, 66, 66, 38, 19, 208,  
0, 13, 190, 153, 158, 153, 158, 153, 153, 153, 153, 153, 153, 153, 153, 153, 153,  
153, 153, 153,  
153, 153, 153, 153, 153, 153, 153, 153, 153, 158, 221, 0, 0, 0, 0, 0, 0, 0, 13, 0,  
0, 0, 217, 153, 153, 153, 153, 153, 153, 153, 153, 153, 153, 153, 153, 153, 153, 153, 153,  
157, 0,  
0, 0, 0, 0, 13, 0, 0, 0, 13, 0, 3, 41, 153, 153, 237, 208, 0, 0, 0, 0,  
0, 0, 0, 208, 0, 0, 11, 158, 153, 153, 153, 153, 153, 153, 153, 153, 153, 153, 153, 153,  
153,  
158, 208, 0, 0, 0, 0, 0, 208, 0, 0, 0, 13, 0, 238, 153, 158, 158, 61, 208, 0,  
0, 0, 0, 0, 0, 0, 0, 0, 142, 98, 153, 153, 153, 41, 34, 146, 146, 153, 41,  
153, 34, 41, 153, 153, 34, 34, 146, 146, 146, 34, 41, 34, 34, 34, 34, 146, 41, 34,  
34, 34, 105, 46, 38, 46, 158, 34, 46, 46, 238, 238, 238, 238, 238, 238, 238, 190, 187,  
235,  
123, 235, 123, 187, 179, 59, 55, 51, 179, 51, 51, 59, 51, 51, 51, 51, 51, 51, 51,  
51, 51, 51, 51, 51, 51, 211, 211, 211, 51, 56, 56, 56, 131, 136, 56, 136, 131, 136,  
187, 17, 17, 17, 17, 17, 97, 102, 102, 31, 102, 97, 102, 22, 102, 102, 97, 97, 97, 102,  
22, 22, 102, 102, 102, 102, 102, 102, 102, 102, 102, 102, 246, 102, 102, 255, 255,  
255, 111, 255,  
255, 255, 255, 47, 34, 242, 34, 34, 242, 47, 34, 47, 34, 242, 47, 242, 34, 47, 34, 47,

47, 38, 38, 100, 34, 36, 68, 73, 153, 34, 34, 242, 36, 66, 66, 68, 34, 73, 73, 36,  
41, 66, 148, 41, 73, 66, 34, 66, 66, 146, 34, 41, 34, 34, 41, 34, 34, 66, 47, 235,  
221, 0, 18, 233, 153, 153, 153, 153, 233, 153, 153, 153, 153, 153, 153, 153,  
153, 153, 153,  
153, 153, 153, 153, 153, 153, 153, 153, 153, 153, 158, 221, 0, 0, 0, 0, 0, 13, 0, 0, 0,  
0, 0, 62, 153, 153, 153, 153, 153, 153, 153, 153, 153, 153, 153, 153, 153, 153, 153,  
237, 208,  
0, 0, 0, 0, 0, 0, 13, 0, 0, 0, 13, 233, 153, 238, 125, 208, 0, 0, 0, 0,  
0, 0, 0, 0, 0, 0, 11, 153, 153, 153, 153, 153, 153, 153, 153, 153, 153, 153, 153, 153,  
46, 221, 0, 0, 0, 0, 0, 0, 0, 208, 0, 0, 0, 25, 153, 153, 238, 61, 0, 0,  
0, 0, 0, 0, 0, 0, 0, 0, 222, 41, 153, 41, 34, 153, 153, 41, 41, 41, 146,  
34, 41, 146, 153, 146, 146, 34, 34, 34, 34, 146, 34, 34, 41, 34, 34, 41, 41, 34, 34,  
34, 34, 38, 34, 34, 34, 226, 230, 226, 226, 46, 226, 233, 238, 238, 238, 190, 235,  
238, 187,  
187, 187, 187, 187, 187, 179, 179, 187, 55, 59, 59, 51, 51, 51, 51, 51, 51, 51, 51, 51,  
51, 51, 61, 221, 221, 221, 61, 61, 61, 61, 136, 131, 131, 131, 131, 51, 131, 131, 136,  
131,  
17, 17, 17, 17, 30, 97, 22, 17, 97, 97, 22, 22, 22, 97, 17, 17, 102, 102, 102, 22,  
102, 102, 22, 22, 102, 102, 102, 102, 102, 102, 102, 102, 255, 246, 102, 246,  
255, 255, 255,  
255, 242, 47, 242, 255, 47, 255, 255, 47, 242, 255, 34, 255, 47, 34, 47, 242, 242,  
255, 242,  
255, 111, 98, 38, 66, 68, 68, 68, 73, 34, 47, 47, 34, 41, 41, 146, 148, 41, 36, 146,  
146, 36, 34, 146, 34, 41, 66, 41, 41, 66, 148, 34, 148, 41, 34, 36, 34, 34, 36, 34,  
241, 61, 190, 158, 158, 158, 153, 153, 153, 153, 233, 153, 153, 153, 153, 153,  
153, 153, 153,  
153, 153, 153, 153, 153, 153, 153, 153, 153, 158, 221, 0, 0, 0, 0, 0, 0, 0, 0,  
13, 0, 217, 153, 153, 153, 153, 153, 153, 153, 153, 153, 153, 153, 153, 153, 153,  
153, 157, 0,  
0, 0, 0, 0, 0, 0, 0, 0, 0, 0, 3, 41, 153, 153, 237, 208, 0, 0, 0, 0,  
0, 0, 13, 0, 0, 13, 1, 233, 153, 153, 153, 153, 153, 153, 153, 153, 153, 153, 153,  
155, 208, 0, 0, 0, 0, 0, 0, 0, 0, 208, 0, 18, 153, 153, 158, 61, 208, 0,  
0, 0, 0, 0, 0, 0, 0, 0, 222, 105, 41, 153, 153, 146, 41, 41, 146, 146, 41,

153, 146, 41, 41, 41, 41, 41, 34, 41, 34, 34, 34, 34, 34, 34, 34, 34, 153, 34, 34,  
98, 98, 34, 38, 38, 38, 150, 146, 46, 46, 226, 46, 238, 238, 238, 238, 238, 190,  
126,  
238, 190, 187, 123, 187, 187, 59, 51, 51, 51, 51, 51, 51, 51, 51, 51, 51, 221, 221,  
221, 221, 211, 61, 61, 61, 211, 211, 221, 211, 216, 56, 136, 56, 136, 136, 136,  
131, 136,  
17, 17, 17, 30, 17, 22, 17, 97, 17, 97, 97, 97, 97, 22, 102, 102, 17, 17, 22, 102,  
22, 22, 102, 102, 97, 102, 22, 102, 102, 102, 102, 111, 111, 102, 255, 255, 255, 255,  
255, 255,  
255, 47, 242, 255, 34, 242, 242, 242, 242, 255, 34, 255, 34, 242, 255, 34, 47, 34, 47,  
47,  
255, 38, 110, 162, 36, 68, 68, 68, 148, 146, 34, 242, 34, 73, 66, 73, 41, 36, 34, 73,  
66, 146, 148, 36, 148, 146, 41, 146, 146, 41, 34, 148, 34, 41, 41, 34, 146, 146, 34,  
34,  
34, 254, 230, 233, 41, 153, 233, 233, 153, 153, 153, 153, 153, 153, 153, 153, 153,  
153, 153, 153,  
153, 153, 153, 153, 153, 153, 153, 153, 153, 158, 221, 0, 0, 0, 0, 0, 0, 0, 0,  
0, 0, 62, 153, 153, 153, 153, 153, 153, 153, 153, 153, 153, 153, 153, 153, 153, 153,  
237, 208,  
0, 0, 0, 0, 0, 0, 0, 0, 0, 0, 3, 233, 153, 238, 125, 208, 0, 0, 0, 0,  
0, 0, 0, 0, 0, 0, 11, 153, 153, 153, 153, 153, 153, 153, 153, 153, 153, 153, 153,  
46, 221, 0, 0, 0, 0, 0, 0, 0, 0, 0, 0, 226, 153, 158, 158, 61, 0, 0,  
0, 0, 0, 0, 0, 0, 0, 0, 222, 34, 153, 41, 41, 41, 153, 146, 153, 41, 146,  
34, 41, 34, 146, 146, 34, 34, 34, 34, 34, 34, 146, 34, 34, 34, 146, 34, 34,  
34, 150, 34, 34, 34, 34, 98, 98, 98, 34, 46, 226, 46, 226, 238, 158, 238, 238, 235,  
235,  
187, 235, 190, 187, 179, 123, 179, 187, 59, 51, 179, 51, 51, 51, 51, 51, 51, 61, 51,  
51,  
51, 211, 221, 211, 211, 221, 61, 221, 211, 221, 136, 216, 216, 216, 136, 136, 136,  
136, 136, 136,  
17, 17, 17, 17, 17, 17, 17, 17, 97, 17, 17, 22, 22, 17, 17, 17, 102, 102, 97, 17,  
102, 97, 97, 97, 102, 102, 102, 102, 102, 102, 102, 246, 246, 255, 255, 255, 255,  
255, 255, 255,

255, 255, 255, 47, 255, 255, 47, 47, 242, 34, 255, 34, 242, 47, 34, 255, 242, 255,  
242, 255,  
98, 98, 98, 34, 66, 164, 68, 68, 73, 34, 47, 255, 242, 34, 148, 36, 148, 146, 153, 34,  
36, 36, 34, 146, 34, 36, 34, 36, 36, 34, 41, 34, 41, 34, 66, 146, 41, 36, 34, 36,  
34, 66, 34, 46, 158, 153, 153, 153, 233, 233, 153, 153, 153, 153, 153, 153, 153, 153,  
153, 153,  
153, 153, 153, 153, 153, 153, 153, 153, 153, 153, 158, 221, 0, 0, 0, 0, 0, 0, 0, 0, 0,  
0, 0, 217, 153, 153, 153, 153, 153, 153, 153, 153, 153, 153, 153, 153, 153, 153, 153, 153,  
157, 0,  
0, 0, 0, 0, 0, 0, 0, 0, 0, 0, 13, 153, 153, 153, 237, 208, 0, 0, 0, 0,  
0, 0, 0, 0, 0, 0, 11, 153, 153, 153, 153, 153, 153, 153, 153, 153, 153, 153, 153, 153,  
155, 208, 0, 0, 0, 0, 0, 0, 0, 0, 0, 0, 0, 0, 30, 153, 153, 238, 61, 208, 0,  
0, 0, 0, 0, 0, 0, 0, 0, 142, 41, 41, 153, 153, 153, 41, 41, 34, 153, 41,  
153, 34, 41, 34, 34, 146, 146, 41, 34, 34, 41, 34, 34, 34, 34, 34, 34, 38, 34, 98,  
38, 34, 38, 34, 98, 38, 34, 38, 38, 102, 105, 46, 226, 46, 46, 238, 238, 238, 238, 238,  
238, 190, 187, 187, 235, 187, 187, 115, 179, 115, 51, 83, 51, 51, 51, 51, 61, 211,  
221, 221,  
221, 61, 61, 221, 221, 221, 221, 221, 221, 128, 141, 136, 136, 136, 136, 136, 136,  
136, 136, 136,  
17, 17, 17, 17, 17, 17, 17, 17, 17, 17, 17, 17, 17, 22, 22, 97, 17, 17, 22, 102,  
22, 102, 102, 102, 102, 102, 102, 102, 102, 102, 255, 255, 255, 255, 255, 255, 255,  
255, 255, 255,  
255, 255, 47, 255, 47, 47, 255, 242, 255, 255, 34, 255, 47, 242, 47, 34, 34, 34, 255,  
255,  
102, 102, 106, 34, 100, 68, 68, 73, 73, 34, 34, 34, 34, 73, 41, 34, 34, 66, 66, 148,  
146, 146, 73, 41, 66, 146, 148, 34, 146, 148, 34, 66, 146, 66, 34, 36, 34, 34, 41, 34,  
41, 34, 34, 34, 105, 226, 233, 158, 153, 153, 158, 153, 153, 153, 153, 153, 153, 153, 153,  
153, 153,  
153, 153, 153, 153, 153, 153, 153, 153, 153, 158, 221, 0, 0, 0, 0, 0, 0, 0, 0, 0,  
0, 0, 62, 153, 153, 153, 153, 153, 153, 153, 153, 153, 153, 153, 153, 153, 153, 153, 153,  
237, 0,  
0, 0, 0, 0, 0, 0, 0, 0, 0, 0, 3, 233, 153, 158, 125, 208, 0, 0, 0, 0,  
0, 0, 0, 0, 0, 0, 11, 158, 153, 153, 153, 153, 153, 153, 153, 153, 153, 153, 153, 153,

46, 221, 0, 0, 0, 0, 0, 0, 0, 0, 0, 0, 0, 233, 153, 153, 158, 61, 0, 0,  
0, 0, 0, 0, 0, 0, 0, 0, 0, 222, 105, 153, 41, 41, 146, 146, 146, 153, 34, 146,  
34, 146, 146, 34, 34, 34, 34, 34, 34, 34, 38, 34, 34, 34, 34, 34, 34, 34, 34,  
34, 98, 34, 98, 38, 34, 38, 34, 34, 34, 46, 98, 38, 226, 226, 226, 226, 233, 238, 238,  
238, 238, 238, 235, 187, 187, 187, 59, 59, 51, 179, 179, 51, 51, 51, 51, 51, 61, 51,  
211,  
211, 221, 221, 61, 221, 221, 221, 136, 136, 216, 128, 141, 8, 0, 128, 128, 128, 208,  
8, 8,  
177, 187, 177, 177, 17, 17, 17, 17, 17, 17, 22, 17, 97, 97, 17, 22, 102, 102, 102, 22,  
97, 97, 102, 22, 102, 102, 102, 102, 102, 111, 111, 111, 255, 255, 255, 255, 255,  
255, 255, 255,  
255, 255, 255, 47, 47, 242, 242, 255, 34, 242, 255, 34, 242, 47, 34, 255, 255, 255,  
242, 242,  
38, 102, 226, 42, 66, 36, 68, 68, 148, 34, 47, 255, 242, 36, 36, 148, 153, 41, 36, 34,  
36, 41, 34, 66, 41, 66, 34, 153, 34, 34, 146, 41, 34, 41, 41, 34, 34, 66, 34, 66,  
34, 34, 34, 66, 34, 34, 158, 153, 153, 233, 153, 153, 153, 153, 153, 153, 153, 153,  
153, 153,  
153, 153, 153, 153, 153, 153, 153, 153, 153, 158, 221, 0, 0, 0, 0, 0, 0, 0, 0, 0,  
0, 0, 217, 153, 153, 153, 153, 153, 153, 153, 153, 153, 153, 153, 153, 153, 153, 153,  
157, 0,  
0, 0, 0, 0, 0, 0, 0, 0, 0, 0, 3, 41, 153, 233, 237, 208, 0, 0, 0, 0,  
0, 0, 0, 0, 0, 0, 11, 153, 153, 153, 153, 153, 153, 153, 153, 153, 153, 153, 153,  
155, 208, 0, 0, 0, 0, 0, 0, 0, 0, 0, 30, 153, 158, 238, 61, 208, 0,  
0, 0, 0, 0, 0, 0, 0, 0, 222, 34, 41, 153, 146, 153, 153, 41, 34, 153, 41,  
41, 34, 34, 146, 146, 146, 34, 150, 146, 34, 153, 34, 34, 38, 34, 38, 38, 34, 38, 38,  
34, 34, 98, 150, 34, 98, 34, 98, 98, 102, 98, 38, 98, 38, 38, 46, 46, 238, 238, 238,  
238, 238, 235, 238, 126, 190, 187, 235, 187, 187, 59, 51, 179, 51, 51, 51, 51, 211,  
221, 221,  
61, 211, 221, 221, 221, 136, 136, 136, 128, 128, 216, 0, 141, 136, 8, 8, 8, 8, 128,  
128,  
187, 177, 27, 27, 187, 27, 27, 17, 17, 17, 17, 17, 97, 22, 102, 97, 22, 22, 22, 102,  
102, 102, 102, 102, 102, 102, 102, 102, 111, 255, 255, 255, 246, 255, 255, 255, 255,  
255, 255, 255,

255, 255, 255, 255, 242, 255, 255, 242, 255, 242, 242, 242, 47, 242, 255, 34, 47, 34,  
255, 102,  
98, 98, 234, 34, 100, 66, 66, 66, 146, 34, 34, 242, 34, 34, 66, 34, 66, 66, 146, 148,  
146, 146, 66, 41, 146, 41, 41, 34, 66, 66, 41, 34, 146, 34, 34, 66, 146, 34, 34, 34,  
34, 34, 66, 34, 34, 38, 41, 233, 233, 153, 233, 153, 153, 233, 153, 153, 153, 153,  
153, 153,  
153, 153, 153, 153, 153, 153, 153, 153, 153, 153, 158, 221, 0, 0, 0, 0, 0, 0, 0, 0, 0,  
0, 0, 62, 153, 153, 153, 153, 153, 153, 153, 153, 153, 153, 153, 153, 153, 153, 153,  
237, 0,  
0, 0, 0, 0, 0, 0, 0, 0, 0, 0, 13, 233, 153, 158, 125, 208, 0, 0, 0, 0,  
0, 0, 0, 0, 0, 1, 233, 153, 153, 153, 153, 153, 153, 153, 153, 153, 153, 153, 153,  
46, 221, 0, 0, 0, 0, 0, 0, 0, 0, 0, 0, 0, 25, 153, 153, 158, 61, 0, 0,  
0, 0, 0, 0, 0, 0, 0, 0, 222, 41, 146, 153, 41, 146, 146, 153, 153, 41, 146,  
146, 153, 41, 34, 34, 34, 34, 41, 98, 34, 226, 98, 46, 153, 38, 34, 41, 102, 34, 34,  
34, 34, 38, 98, 98, 38, 98, 38, 38, 34, 38, 98, 38, 98, 98, 98, 46, 46, 46,  
238, 238, 238, 238, 235, 235, 235, 187, 187, 183, 59, 59, 51, 51, 51, 51, 51, 61, 51,  
61,  
211, 221, 211, 221, 141, 221, 136, 128, 136, 8, 8, 136, 0, 13, 128, 128, 208, 128,  
208, 8,  
177, 187, 187, 177, 17, 177, 17, 17, 17, 17, 97, 97, 22, 17, 17, 102, 97, 102, 102,  
102,  
102, 102, 102, 102, 102, 102, 246, 255, 246, 246, 255, 246, 255, 255, 111, 246, 246,  
246, 255, 255,  
255, 255, 255, 242, 255, 242, 242, 255, 242, 47, 47, 47, 242, 47, 34, 255, 242, 255,  
246, 34,  
110, 110, 38, 42, 38, 228, 36, 36, 34, 34, 255, 47, 242, 36, 34, 73, 41, 36, 36, 34,  
41, 66, 41, 146, 66, 34, 66, 66, 41, 41, 34, 66, 36, 41, 34, 34, 34, 146, 146, 34,  
146, 146, 34, 34, 34, 66, 46, 146, 153, 233, 153, 153, 153, 153, 153, 153, 153, 153,  
153, 153,  
153, 153, 153, 153, 153, 153, 153, 153, 153, 158, 221, 0, 0, 0, 0, 0, 0, 0, 0, 0,  
0, 0, 217, 41, 153, 153, 153, 153, 153, 153, 153, 153, 153, 153, 153, 153, 153, 153,  
157, 0,  
0, 0, 0, 0, 0, 0, 0, 0, 0, 3, 41, 153, 158, 237, 208, 0, 0, 0, 0,

0, 0, 0, 0, 0, 0, 11, 153, 153, 153, 153, 153, 153, 153, 153, 153, 153, 153, 153, 153, 153, 153, 153, 153,  
155, 208, 0, 0, 0, 0, 0, 0, 0, 0, 0, 0, 0, 0, 0, 238, 153, 153, 238, 61, 208, 0,  
0, 0, 0, 0, 0, 0, 0, 0, 0, 129, 34, 153, 41, 153, 41, 41, 146, 41, 146, 41,  
34, 34, 146, 41, 41, 34, 146, 34, 146, 34, 146, 146, 41, 102, 34, 34, 230, 146, 98, 46,  
38, 98, 34, 38, 158, 34, 38, 98, 34, 102, 98, 38, 98, 98, 102, 46, 38, 98, 226, 226,  
98, 238, 238, 238, 238, 238, 190, 235, 235, 187, 187, 187, 59, 115, 51, 51, 51, 51,  
211, 211,  
61, 211, 221, 216, 131, 136, 136, 8, 141, 141, 128, 13, 136, 128, 8, 8, 8, 8, 8, 128,  
187, 177, 177, 27, 27, 17, 17, 17, 17, 22, 17, 22, 97, 102, 102, 97, 102, 102, 102,  
102,  
102, 102, 102, 102, 102, 111, 111, 102, 111, 111, 102, 111, 102, 102, 246, 255, 255,  
255, 255, 111,  
255, 255, 255, 255, 255, 255, 255, 255, 255, 255, 242, 242, 255, 242, 255, 47, 47,  
47, 242, 102,  
38, 46, 234, 162, 36, 154, 158, 70, 34, 34, 47, 242, 255, 34, 66, 34, 66, 146, 146,  
153,  
66, 41, 34, 66, 41, 66, 34, 41, 34, 34, 146, 34, 146, 34, 66, 34, 146, 34, 34, 66,  
34, 34, 34, 34, 34, 34, 34, 98, 233, 158, 158, 158, 153, 153, 153, 153, 153, 153, 153, 153,  
153,  
153, 153, 153, 153, 153, 153, 153, 153, 153, 153, 158, 221, 0, 0, 0, 0, 0, 0, 0, 0, 0,  
0, 0, 62, 153, 153, 153, 153, 153, 153, 153, 153, 153, 153, 153, 153, 153, 153, 153, 153,  
237, 0,  
0, 0, 0, 0, 0, 0, 0, 0, 0, 0, 3, 233, 153, 153, 125, 208, 0, 0, 0, 0,  
0, 0, 0, 0, 0, 0, 11, 153, 153, 153, 153, 153, 153, 153, 153, 153, 153, 153, 153, 153, 153,  
46, 221, 0, 0, 0, 0, 0, 0, 0, 0, 0, 0, 25, 153, 158, 158, 61, 0, 0,  
0, 0, 0, 0, 0, 0, 0, 0, 222, 105, 41, 153, 41, 153, 146, 153, 146, 41, 146,  
153, 146, 41, 34, 34, 146, 34, 34, 34, 34, 46, 46, 46, 146, 46, 46, 146, 226, 46, 41,  
105, 46, 46, 34, 98, 102, 34, 38, 102, 34, 38, 98, 38, 38, 38, 38, 102, 38, 38, 46,  
102, 38, 46, 46, 238, 238, 238, 238, 190, 235, 187, 187, 187, 59, 179, 179, 51, 51,  
51, 211,  
211, 61, 221, 61, 141, 136, 136, 136, 8, 0, 216, 208, 0, 208, 128, 128, 208, 0, 128, 0,  
187, 27, 17, 17, 17, 17, 17, 17, 17, 17, 97, 22, 97, 102, 22, 102, 102, 102, 102, 102, 102,

102, 102, 102, 102, 111, 246, 246, 255, 246, 246, 255, 246, 255, 255, 111, 102, 255,  
111, 246, 255,  
255, 255, 255, 255, 242, 255, 255, 47, 47, 242, 255, 47, 34, 47, 34, 242, 255, 255,  
102, 38,  
102, 226, 226, 150, 166, 226, 36, 98, 34, 255, 255, 47, 47, 238, 100, 36, 36, 36, 36,  
36,  
34, 146, 73, 41, 34, 41, 148, 34, 148, 41, 36, 41, 34, 146, 34, 146, 34, 66, 34, 34,  
34, 36, 34, 34, 34, 34, 36, 38, 158, 153, 153, 153, 158, 153, 153, 153, 153, 153, 153,  
153,  
153, 153, 153, 153, 153, 153, 153, 153, 153, 158, 221, 0, 0, 0, 0, 0, 0, 0, 0, 0,  
0, 0, 217, 153, 153, 153, 153, 153, 153, 153, 153, 153, 153, 153, 153, 153, 153, 153,  
157, 0,  
0, 0, 0, 0, 0, 0, 0, 0, 0, 0, 13, 153, 153, 238, 237, 208, 0, 0, 0, 0,  
0, 0, 0, 0, 0, 0, 11, 158, 153, 153, 153, 153, 153, 153, 153, 153, 153, 153, 153, 153,  
46, 208, 0, 0, 0, 0, 0, 0, 0, 0, 0, 18, 153, 153, 238, 61, 208, 0,  
0, 0, 0, 0, 0, 0, 0, 0, 222, 41, 146, 153, 146, 146, 153, 41, 41, 146, 41,  
34, 41, 34, 146, 146, 34, 34, 34, 34, 46, 153, 41, 41, 102, 34, 41, 98, 150, 41, 230,  
46, 105, 233, 230, 38, 34, 230, 98, 34, 230, 102, 46, 102, 98, 102, 98, 34, 230, 102,  
226,  
102, 226, 226, 230, 110, 238, 238, 238, 238, 238, 235, 235, 187, 187, 187, 59, 51,  
51, 51, 51,  
61, 211, 51, 216, 56, 216, 136, 136, 136, 136, 13, 8, 136, 8, 208, 8, 8, 8, 0, 128,  
17, 177, 27, 17, 17, 17, 17, 97, 102, 17, 102, 22, 102, 102, 102, 102, 102, 102,  
102,  
102, 102, 102, 102, 102, 102, 111, 102, 102, 111, 102, 111, 102, 246, 246, 255, 102,  
246, 111, 255,  
111, 111, 255, 255, 255, 255, 255, 255, 242, 38, 255, 255, 255, 255, 255, 255, 242,  
242, 34, 98,  
98, 238, 238, 116, 34, 70, 102, 34, 98, 242, 47, 242, 255, 17, 225, 98, 34, 34, 146,  
146,  
41, 66, 34, 34, 73, 34, 34, 146, 34, 146, 34, 34, 34, 36, 34, 36, 34, 34, 146, 34,  
146, 34, 34, 34, 34, 47, 34, 105, 233, 233, 233, 153, 158, 153, 153, 153, 153,  
153, 153,



153, 153, 153, 153, 153, 153, 153, 153, 153, 153, 158, 221, 0, 0, 0, 0, 0, 0, 0, 0, 0,  
0, 0, 62, 153, 153, 153, 153, 153, 153, 153, 153, 153, 153, 153, 153, 153, 153, 153, 153,  
237, 0,  
0, 0, 0, 0, 0, 0, 0, 0, 0, 0, 0, 3, 233, 153, 153, 125, 208, 0, 0, 0, 0,  
0, 0, 0, 0, 0, 0, 11, 153, 153, 153, 153, 153, 153, 153, 153, 153, 153, 153, 153, 153,  
155, 208, 0, 0, 0, 0, 0, 0, 0, 0, 0, 0, 0, 18, 233, 153, 158, 61, 0, 0,  
0, 0, 0, 0, 0, 0, 0, 0, 0, 222, 105, 41, 146, 153, 153, 41, 146, 153, 41, 146,  
146, 146, 153, 34, 41, 41, 41, 34, 34, 41, 226, 34, 226, 146, 34, 238, 158, 98, 238,  
34,  
226, 38, 38, 34, 98, 230, 34, 46, 98, 38, 34, 98, 34, 102, 34, 102, 230, 38, 38, 46,  
98, 102, 102, 38, 38, 38, 110, 238, 238, 238, 238, 238, 190, 190, 187, 187, 187, 59,  
51, 51,  
51, 61, 211, 221, 216, 136, 141, 141, 216, 8, 208, 128, 0, 128, 8, 128, 0, 128, 128, 8,  
17, 17, 17, 17, 17, 30, 102, 22, 22, 102, 102, 246, 102, 102, 102, 102, 102, 102, 102,  
102,  
102, 102, 102, 102, 102, 102, 102, 102, 102, 111, 102, 255, 246, 102, 111, 111, 102, 255,  
111, 246, 255,  
255, 255, 255, 255, 255, 255, 47, 242, 111, 242, 47, 34, 47, 242, 47, 34, 246, 38,  
102, 38,  
110, 46, 226, 238, 162, 228, 98, 38, 34, 242, 242, 255, 241, 17, 161, 238, 100, 36,  
41, 66,  
146, 41, 41, 66, 34, 66, 146, 41, 34, 34, 66, 146, 66, 34, 34, 34, 34, 34, 34, 34,  
34, 66, 34, 34, 146, 34, 79, 34, 34, 46, 153, 153, 233, 153, 153, 158, 153, 153, 153,  
153,  
153, 153, 153, 153, 153, 153, 153, 153, 153, 158, 221, 0, 0, 0, 0, 0, 0, 0, 0, 0,  
0, 0, 210, 153, 153, 153, 153, 153, 153, 153, 153, 153, 153, 153, 153, 153, 153, 153, 153,  
157, 0,  
0, 0, 0, 0, 0, 0, 0, 0, 0, 0, 0, 3, 41, 153, 158, 125, 208, 0, 0, 0, 0,  
0, 0, 0, 0, 0, 0, 1, 233, 153, 153, 153, 153, 153, 153, 153, 153, 153, 153, 153, 153,  
46, 221, 0, 0, 0, 0, 0, 0, 0, 0, 0, 0, 0, 25, 153, 153, 238, 61, 208, 0,  
0, 0, 0, 0, 0, 0, 0, 0, 142, 34, 153, 153, 41, 41, 153, 41, 41, 146, 153,  
41, 41, 34, 41, 34, 34, 34, 34, 146, 34, 146, 226, 158, 98, 226, 41, 233, 46, 146, 46,

158, 98, 226, 238, 46, 34, 238, 226, 238, 98, 238, 102, 230, 38, 230, 98, 38, 102,  
102, 98,  
102, 98, 102, 230, 102, 230, 98, 98, 238, 238, 238, 238, 238, 235, 235, 235, 179,  
187, 59, 51,  
51, 51, 51, 51, 211, 56, 56, 136, 136, 136, 8, 141, 136, 216, 0, 8, 128, 0, 8, 0,  
30, 230, 238, 225, 230, 230, 22, 102, 102, 102, 102, 102, 102, 102, 102, 102, 102,  
102, 102, 102,  
102, 102, 102, 102, 102, 102, 102, 102, 102, 102, 111, 102, 102, 246, 246, 246, 255, 102,  
246, 111, 102,  
246, 246, 246, 255, 111, 246, 255, 102, 47, 246, 246, 246, 242, 255, 255, 255, 34,  
98, 38, 102,  
38, 226, 238, 169, 42, 158, 78, 36, 98, 47, 47, 47, 97, 30, 177, 17, 225, 98, 66, 34,  
66, 146, 66, 41, 146, 41, 36, 34, 66, 146, 34, 34, 34, 41, 41, 34, 146, 146, 36, 34,  
34, 34, 34, 34, 34, 34, 34, 34, 34, 34, 233, 233, 153, 158, 153, 153, 153, 153, 153,  
153,  
153, 153, 153, 153, 153, 153, 153, 153, 153, 153, 158, 221, 0, 0, 0, 0, 0, 0, 0, 0, 0,  
0, 0, 50, 153, 153, 153, 153, 153, 153, 153, 153, 153, 153, 153, 153, 153, 153, 153,  
237, 0,  
0, 0, 0, 0, 0, 0, 0, 0, 0, 0, 13, 233, 153, 233, 237, 208, 0, 0, 0, 0,  
0, 0, 0, 0, 0, 0, 11, 153, 153, 153, 153, 153, 153, 153, 153, 153, 153, 153, 153,  
155, 208, 0, 0, 0, 0, 0, 0, 0, 0, 0, 0, 30, 153, 158, 158, 61, 0, 0,  
0, 0, 0, 0, 0, 0, 0, 0, 222, 105, 146, 153, 153, 153, 41, 153, 146, 146, 41,  
146, 146, 41, 146, 41, 41, 41, 34, 34, 34, 34, 146, 41, 34, 146, 226, 46, 41, 230, 233,  
226, 46, 46, 34, 226, 238, 34, 46, 34, 238, 34, 98, 46, 98, 98, 110, 102, 38, 102, 110,  
102, 110, 98, 102, 102, 102, 110, 110, 98, 226, 238, 238, 238, 238, 238, 190, 235,  
235, 187, 187,  
179, 179, 51, 51, 61, 51, 136, 136, 136, 136, 136, 128, 128, 8, 136, 128, 8, 136, 0,  
128,  
230, 70, 166, 102, 230, 102, 102, 102, 102, 102, 102, 102, 102, 102, 102, 102,  
102, 102, 102,  
102, 102, 102, 102, 102, 102, 102, 102, 102, 102, 111, 102, 102, 102, 111, 102, 255,  
111, 246, 255,



0, 0, 0, 0, 0, 0, 0, 0, 0, 0, 0, 3, 233, 153, 233, 237, 208, 0, 0, 0, 0,  
0, 0, 0, 0, 0, 0, 1, 41, 153, 153, 153, 153, 153, 153, 153, 153, 153, 153, 153, 153, 153, 153,  
155, 221, 0, 0, 0, 0, 0, 0, 0, 0, 0, 0, 0, 0, 18, 41, 153, 158, 61, 0, 0,  
0, 0, 0, 0, 0, 0, 0, 0, 0, 142, 41, 153, 153, 153, 146, 153, 41, 146, 146, 153,  
146, 146, 41, 41, 34, 146, 146, 146, 34, 34, 146, 41, 34, 146, 146, 226, 150, 146,  
230, 226,  
34, 46, 46, 34, 238, 226, 238, 158, 46, 238, 226, 226, 238, 226, 226, 238, 102, 46,  
230, 110,  
102, 230, 102, 102, 102, 230, 102, 230, 102, 102, 102, 102, 102, 110, 238, 238, 238,  
238, 190, 238,  
190, 187, 187, 187, 59, 51, 51, 51, 51, 131, 136, 136, 136, 136, 136, 128, 8, 136, 8,  
128,  
102, 110, 102, 230, 97, 102, 102, 102, 22, 102, 102, 22, 102, 102, 22, 97, 102, 97,  
102, 102,  
97, 102, 102, 102, 102, 102, 102, 102, 102, 102, 102, 102, 102, 102, 111, 102, 246,  
111, 102, 111,  
111, 246, 246, 246, 246, 111, 246, 47, 38, 38, 34, 47, 111, 38, 47, 98, 102, 38, 38,  
226,  
230, 46, 238, 46, 238, 234, 169, 233, 162, 102, 174, 17, 30, 23, 30, 190, 238, 187,  
190, 230,  
41, 34, 66, 34, 41, 34, 66, 34, 34, 66, 41, 36, 34, 34, 34, 34, 34, 34, 34, 34,  
34, 34, 34, 34, 34, 34, 34, 34, 34, 242, 38, 46, 233, 153, 153, 153, 153, 153, 153,  
153,  
153, 153, 153, 153, 153, 153, 153, 153, 153, 153, 153, 221, 221, 221, 13, 13, 141, 8, 208,  
208, 216,  
208, 216, 62, 153, 153, 153, 153, 153, 153, 153, 153, 153, 153, 153, 153, 153, 153, 153,  
153, 157, 221,  
221, 221, 208, 208, 208, 208, 141, 208, 208, 216, 219, 153, 153, 158, 227, 221, 221,  
221, 208, 208,  
208, 221, 8, 208, 208, 216, 222, 153, 153, 153, 153, 153, 153, 153, 153, 153, 153, 153,  
153, 153, 153,  
46, 221, 221, 221, 8, 0, 128, 208, 141, 8, 208, 216, 216, 233, 153, 158, 158, 61, 221,  
221,

8, 8, 8, 13, 8, 13, 13, 13, 141, 62, 34, 153, 146, 153, 153, 153, 146, 153, 41, 34,  
41, 41, 34, 146, 41, 34, 34, 34, 146, 34, 34, 34, 98, 98, 146, 233, 226, 146, 46,  
238, 226, 238, 238, 226, 238, 46, 238, 238, 46, 238, 238, 238, 238, 238, 238, 238,  
238, 110, 102,  
110, 102, 102, 102, 102, 102, 102, 102, 230, 102, 102, 230, 110, 102, 102, 110, 238,  
238, 238, 238,  
235, 235, 235, 187, 187, 187, 51, 51, 51, 51, 51, 131, 136, 136, 136, 136, 136, 0,  
128, 8,  
110, 102, 102, 97, 102, 97, 102, 22, 97, 102, 22, 102, 22, 22, 97, 102, 97, 102, 97,  
97,  
102, 97, 102, 102, 22, 102, 102, 102, 102, 102, 102, 102, 102, 102, 102, 102, 102,  
102, 246, 246,  
246, 102, 111, 111, 111, 246, 98, 102, 111, 242, 246, 242, 47, 98, 47, 38, 34, 98,  
226, 46,  
46, 226, 238, 238, 238, 238, 238, 174, 46, 238, 238, 17, 17, 190, 235, 235, 235, 238,  
235, 190,  
226, 66, 41, 36, 34, 146, 34, 36, 41, 34, 34, 34, 41, 34, 146, 34, 146, 34, 34, 34,  
34, 34, 34, 34, 34, 34, 34, 242, 34, 34, 105, 158, 158, 158, 153, 233, 153, 153,  
153,  
153, 153, 153, 153, 153, 153, 153, 153, 153, 153, 158, 158, 235, 187, 187, 187, 187, 187,  
190, 187, 187,  
190, 238, 153, 153, 153, 153, 153, 153, 153, 153, 153, 153, 153, 153, 153, 153, 153,  
153, 158, 235,  
187, 187, 190, 190, 187, 235, 187, 190, 190, 190, 238, 153, 153, 153, 238, 238, 187,  
187, 190, 190,  
187, 187, 190, 187, 190, 190, 238, 153, 153, 153, 153, 153, 153, 153, 153, 153, 153,  
153, 153, 153,  
153, 238, 187, 187, 187, 235, 190, 187, 187, 187, 187, 187, 238, 233, 153, 153, 233,  
238, 190, 187,  
187, 187, 187, 187, 187, 187, 187, 187, 190, 226, 153, 41, 153, 153, 153, 41, 153,  
146, 153, 153,  
146, 146, 153, 41, 34, 146, 146, 146, 34, 146, 34, 34, 34, 146, 150, 38, 150, 38, 226,  
233,

34, 46, 34, 226, 46, 238, 226, 238, 238, 238, 238, 238, 238, 238, 238, 238, 238, 238, 238, 238, 238,  
238, 238,  
238, 238, 238, 238, 110, 102, 238, 230, 110, 102, 102, 102, 102, 102, 110, 230, 230, 238,  
238, 238, 238,  
238, 238, 190, 225, 27, 187, 187, 187, 51, 51, 51, 56, 56, 56, 136, 136, 136, 136, 8,  
136,  
110, 110, 110, 230, 97, 22, 17, 97, 102, 17, 102, 22, 102, 97, 102, 97, 102, 22, 102,  
102,  
102, 102, 97, 102, 102, 102, 102, 102, 102, 102, 102, 102, 102, 102, 102, 102, 102, 102,  
102, 111, 102,  
102, 246, 111, 102, 102, 111, 246, 242, 38, 246, 34, 102, 242, 246, 102, 98, 102,  
102, 46, 102,  
226, 110, 226, 238, 238, 126, 238, 238, 126, 238, 27, 238, 238, 238, 190, 238, 190,  
187, 190, 235,  
126, 34, 146, 34, 146, 34, 41, 34, 34, 34, 146, 66, 34, 34, 34, 34, 34, 34, 34, 34,  
34, 34, 34, 34, 34, 34, 34, 242, 34, 242, 242, 38, 233, 233, 153, 153, 153, 158, 153,  
153,  
153, 153, 153, 153, 153, 153, 153, 153, 153, 153, 153, 238, 238, 238, 158, 238, 233, 238,  
238, 238, 238,  
238, 238, 233, 153, 153, 153, 153, 153, 153, 153, 153, 153, 153, 153, 153, 153, 153, 153,  
153, 153, 233,  
238, 238, 238, 238, 238, 238, 238, 238, 238, 238, 238, 153, 233, 153, 158, 158, 238, 238,  
238, 238, 238,  
238, 158, 238, 238, 238, 158, 153, 158, 153, 153, 153, 153, 153, 153, 153, 153, 153, 153,  
153, 153, 153,  
158, 158, 238, 238, 238, 238, 238, 238, 238, 238, 238, 238, 238, 233, 153, 153, 153, 158,  
158, 238, 238,  
238, 238, 238, 238, 238, 238, 238, 238, 238, 158, 153, 153, 153, 153, 41, 153, 146,  
153, 146, 146,  
153, 41, 34, 34, 146, 41, 34, 34, 146, 41, 34, 34, 146, 38, 34, 34, 105, 34, 46, 158,  
110, 226, 238, 46, 238, 46, 238, 238, 226, 238, 238, 238, 238, 238, 238, 238, 238,  
238, 238, 238,

238, 238, 238, 238, 238, 238, 230, 238, 102, 238, 238, 238, 238, 230, 238, 110, 110,  
102, 230, 238,  
238, 238, 238, 225, 238, 17, 177, 187, 187, 187, 51, 51, 51, 51, 56, 136, 136, 136,  
136, 8,  
230, 238, 30, 97, 22, 102, 102, 102, 22, 102, 17, 102, 22, 102, 97, 102, 22, 97, 102,  
22,  
97, 102, 102, 102, 102, 102, 102, 102, 102, 102, 102, 22, 102, 102, 102, 102, 102, 102,  
102, 102, 246,  
102, 111, 102, 246, 255, 111, 111, 246, 242, 98, 102, 38, 102, 98, 47, 38, 98, 38, 98,  
98,  
110, 226, 238, 238, 238, 238, 238, 238, 238, 190, 238, 238, 190, 190, 238, 190, 238,  
238, 231, 190,  
187, 226, 36, 34, 41, 66, 146, 34, 146, 34, 34, 34, 34, 34, 34, 66, 34, 34, 34, 34,  
34, 34, 34, 34, 34, 34, 47, 34, 34, 47, 34, 34, 153, 233, 233, 153, 153, 153, 153,  
153, 153, 153, 153, 153, 153, 153, 153, 153, 153, 153, 158, 158, 238, 153, 238, 233,  
158, 233, 158,  
158, 153, 153, 153, 153, 153, 153, 153, 153, 153, 153, 153, 153, 153, 153, 153, 153,  
153, 153, 158,  
233, 233, 158, 233, 233, 238, 153, 238, 158, 158, 233, 153, 153, 153, 153, 158, 158,  
158, 158, 158,  
158, 238, 158, 158, 158, 233, 233, 153, 153, 153, 153, 153, 153, 153, 153, 153, 153,  
153, 153, 153,  
153, 153, 233, 158, 158, 158, 158, 158, 158, 153, 238, 153, 158, 158, 153, 153, 153,  
233, 158, 238,  
158, 158, 158, 158, 158, 158, 158, 153, 158, 153, 153, 153, 153, 153, 153, 153, 153,  
146, 153, 41,  
34, 146, 41, 146, 41, 34, 34, 146, 34, 34, 41, 34, 34, 34, 34, 34, 38, 38, 41, 226,  
41, 46, 34, 226, 226, 226, 233, 238, 238, 238, 238, 238, 238, 238, 235, 238, 190,  
235, 235, 225,  
238, 238, 238, 238, 238, 238, 238, 238, 238, 238, 238, 230, 230, 238, 110, 238, 238,  
238, 238, 238,  
238, 238, 238, 238, 30, 30, 225, 27, 27, 187, 187, 187, 51, 51, 51, 51, 56, 136, 136,  
136,

225, 230, 97, 22, 97, 97, 17, 17, 97, 17, 102, 22, 97, 97, 102, 22, 97, 102, 22, 97,  
102, 97, 102, 97, 102, 102, 102, 22, 97, 102, 102, 22, 102, 102, 102, 102, 102, 102,  
102, 102,  
246, 102, 246, 111, 111, 246, 246, 255, 102, 38, 242, 98, 98, 98, 98, 98, 38, 98, 102,  
110,  
98, 110, 46, 226, 238, 238, 238, 238, 190, 238, 190, 190, 238, 238, 238, 238, 190,  
123, 235, 235,  
235, 187, 34, 146, 146, 34, 36, 34, 36, 34, 66, 34, 41, 34, 146, 34, 34, 36, 34, 34,  
34, 34, 34, 34, 34, 34, 242, 34, 47, 47, 34, 242, 246, 238, 153, 153, 233, 233, 153,  
153,  
153, 153, 153, 153, 153, 153, 153, 153, 153, 153, 153, 153, 153, 153, 153, 233, 153, 158,  
153, 158, 153,  
233, 153, 153, 153, 153, 153, 153, 153, 153, 153, 153, 153, 153, 153, 153, 153, 153,  
153, 153, 153,  
153, 158, 153, 158, 153, 153, 233, 153, 233, 153, 153, 153, 153, 153, 153, 153, 233, 153,  
233, 153, 233,  
153, 153, 233, 153, 233, 153, 153, 153, 153, 153, 153, 153, 153, 153, 153, 153, 153,  
153, 153, 153,  
153, 153, 158, 153, 233, 233, 233, 233, 233, 233, 153, 233, 233, 153, 153, 153, 153,  
158, 153, 153,  
233, 233, 233, 233, 233, 233, 233, 238, 153, 233, 153, 41, 153, 153, 153, 153, 41,  
153, 153, 153,  
153, 41, 146, 41, 34, 146, 146, 34, 41, 34, 34, 41, 34, 34, 34, 34, 34, 102, 34,  
110, 34, 238, 46, 46, 238, 238, 238, 46, 238, 238, 238, 238, 235, 238, 190, 235, 190,  
190, 187,  
187, 27, 187, 235, 235, 225, 17, 238, 238, 238, 238, 238, 238, 238, 238, 238, 238, 238,  
110, 238, 230,  
238, 238, 238, 238, 225, 225, 17, 238, 17, 17, 27, 187, 187, 187, 51, 51, 51, 51, 56,  
56,  
225, 17, 22, 22, 17, 22, 22, 102, 22, 102, 17, 97, 102, 22, 22, 97, 102, 22, 97, 102,  
22, 102, 97, 102, 22, 22, 22, 97, 102, 102, 102, 102, 102, 102, 102, 102, 102, 102,  
102, 102,



111, 246, 111, 246, 246, 246, 111, 102, 246, 102, 102, 102, 38, 102, 102, 102, 98,  
102, 98, 98,  
46, 38, 226, 238, 238, 238, 238, 238, 238, 238, 238, 238, 238, 238, 238, 190, 238, 238,  
238, 238, 123,  
190, 231, 190, 36, 34, 34, 34, 41, 34, 34, 34, 34, 34, 34, 34, 34, 34, 34, 34, 34,  
34, 34, 34, 34, 34, 242, 47, 34, 242, 34, 242, 47, 34, 41, 46, 153, 153, 153, 153, 153,  
153, 153, 153, 153, 153, 153, 153, 153, 153, 153, 153, 153, 153, 153, 153, 153, 153, 153,  
153, 153, 153,  
153, 153, 153, 153, 153, 153, 153, 153, 153, 153, 153, 153, 153, 153, 153, 153, 153,  
153, 153, 153,  
153, 153, 153, 153, 153, 153, 153, 153, 153, 153, 153, 153, 153, 153, 153, 153, 153,  
153, 153, 153,  
153, 153, 153, 153, 153, 153, 153, 153, 153, 153, 153, 153, 153, 153, 153, 153, 153,  
153, 153, 153,  
153, 153, 153, 153, 153, 153, 153, 153, 153, 153, 153, 153, 153, 153, 153, 153, 153,  
153, 153, 153,  
153, 153, 153, 153, 153, 153, 153, 153, 153, 153, 158, 153, 153, 153, 153, 153, 153,  
153, 158, 153,  
153, 153, 153, 153, 153, 153, 153, 153, 153, 153, 153, 153, 153, 153, 153, 153, 153,  
153, 41, 34,  
146, 146, 41, 34, 146, 34, 34, 41, 34, 41, 34, 34, 34, 34, 34, 34, 34, 34, 34, 34, 38,  
146, 230, 34, 226, 226, 233, 226, 238, 238, 238, 238, 238, 238, 190, 190, 190, 235, 190,  
235, 235, 238,  
235, 235, 235, 187, 177, 187, 27, 187, 27, 17, 30, 17, 238, 238, 238, 238, 238, 238,  
238, 238,  
238, 238, 238, 238, 238, 238, 238, 238, 225, 238, 17, 17, 17, 27, 187, 187, 179, 179, 51,  
51, 51,  
30, 30, 17, 17, 22, 17, 97, 17, 97, 17, 102, 22, 22, 97, 97, 102, 22, 97, 102, 22,  
102, 22, 22, 22, 97, 102, 97, 102, 97, 102, 22, 22, 97, 102, 97, 102, 102, 102, 102,  
102,  
102, 111, 102, 102, 102, 102, 246, 102, 102, 111, 102, 38, 98, 98, 98, 38, 38, 34, 38,  
46,  
102, 226, 238, 46, 46, 46, 238, 238, 238, 238, 238, 238, 238, 238, 238, 238, 126,  
231, 235, 238,  
235, 187, 238, 226, 146, 36, 34, 34, 34, 34, 34, 41, 34, 34, 34, 34, 34, 34, 34, 34,







153, 34, 146, 41, 34, 34, 34, 34, 146, 34, 34, 34, 34, 34, 34, 34, 34, 34, 242, 38,  
34, 38, 34, 34, 98, 98, 110, 98, 226, 46, 226, 238, 238, 238, 238, 235, 238, 235, 123,  
235,  
123, 235, 179, 187, 179, 179, 179, 179, 179, 179, 179, 179, 179, 179, 179, 187, 187, 59,  
187, 187, 187,  
187, 177, 177, 17, 17, 17, 17, 17, 17, 17, 17, 17, 17, 17, 17, 17, 225, 17, 17, 27,  
17, 177, 17, 17, 17, 22, 17, 97, 22, 97, 102, 22, 22, 17, 17, 17, 17, 17, 17, 17,  
97, 22, 22, 17, 22, 22, 17, 102, 22, 102, 22, 102, 97, 102, 102, 22, 97, 102, 17, 17,  
97, 22, 17, 22, 22, 97, 102, 102, 230, 102, 102, 102, 38, 34, 34, 111, 38, 38, 98, 102,  
110, 98, 238, 226, 226, 238, 238, 238, 226, 238, 158, 158, 158, 238, 158, 238, 238,  
238, 238, 238,  
126, 238, 187, 235, 190, 34, 146, 34, 34, 34, 34, 41, 34, 34, 34, 34, 34, 34, 34, 34,  
47, 34, 34, 242, 242, 47, 34, 242, 255, 255, 255, 255, 255, 255, 47, 233, 153, 233,  
153, 153,  
233, 153, 153, 153, 153, 153, 153, 153, 153, 153, 153, 153, 153, 153, 153, 153, 153, 153,  
153, 153, 153,  
153, 153, 153, 153, 153, 153, 153, 153, 153, 153, 153, 153, 153, 153, 153, 153, 153,  
153, 153, 153,  
153, 153, 153, 153, 153, 153, 153, 153, 153, 153, 153, 153, 153, 153, 153, 153, 153,  
153, 153, 153,  
153, 153, 153, 153, 153, 153, 153, 153, 153, 153, 153, 153, 153, 153, 153, 153, 153,  
153, 153, 153,  
153, 153, 153, 153, 41, 146, 153, 41, 146, 153, 153, 153, 153, 153, 73, 153, 153,  
153, 153, 41,  
41, 153, 41, 34, 146, 146, 146, 146, 34, 41, 34, 41, 34, 34, 34, 34, 34, 242, 34, 34,  
34, 34, 38, 38, 34, 38, 34, 46, 46, 226, 238, 238, 46, 238, 235, 238, 187, 190, 187,  
187,  
187, 187, 183, 187, 59, 187, 59, 59, 51, 59, 59, 59, 59, 59, 51, 59, 59, 59, 59, 179,  
187, 187, 187, 187, 187, 27, 17, 17, 17, 17, 17, 17, 17, 17, 17, 17, 17, 17, 17, 17,  
177, 17, 17, 17, 17, 17, 22, 22, 97, 22, 17, 97, 17, 97, 97, 97, 97, 102, 102, 102,  
22, 97, 97, 102, 17, 97, 97, 22, 22, 17, 97, 97, 102, 22, 22, 97, 22, 17, 97, 97,

22, 97, 102, 97, 97, 102, 110, 102, 102, 111, 98, 98, 98, 102, 102, 47, 98, 98, 102,  
98,  
98, 238, 34, 238, 46, 226, 46, 46, 158, 238, 238, 238, 238, 158, 238, 158, 158, 238,  
238, 238,  
238, 238, 238, 190, 187, 226, 41, 34, 34, 34, 146, 34, 34, 34, 34, 34, 34, 34, 34, 47,  
34, 34, 242, 34, 47, 34, 242, 34, 34, 34, 34, 34, 34, 242, 255, 46, 233, 158, 153, 233,  
153, 153, 153, 153, 153, 153, 153, 153, 153, 153, 153, 153, 153, 153, 153, 153, 153, 153,  
153, 153, 153,  
153, 153, 153, 153, 153, 153, 153, 153, 153, 153, 153, 153, 153, 153, 153, 153, 153,  
153, 153, 153,  
153, 153, 153, 153, 153, 153, 153, 153, 153, 153, 153, 153, 153, 153, 153, 153, 153,  
153, 153, 153,  
153, 153, 153, 153, 153, 153, 153, 153, 153, 153, 153, 153, 153, 153, 153, 153, 153,  
153, 153, 153,  
153, 153, 153, 153, 153, 153, 153, 153, 153, 153, 153, 153, 153, 153, 153, 153, 153,  
153, 153, 146,  
153, 146, 146, 153, 153, 153, 153, 153, 153, 153, 153, 153, 153, 153, 153, 153, 153,  
153, 153, 146,  
146, 34, 146, 146, 34, 34, 34, 34, 146, 34, 34, 34, 34, 34, 34, 34, 34, 47, 34,  
47, 47, 34, 34, 38, 98, 102, 98, 98, 110, 38, 46, 238, 238, 238, 238, 238, 231, 190,  
190,  
187, 187, 179, 179, 179, 179, 179, 179, 179, 179, 51, 51, 51, 51, 51, 51, 51, 179, 51,  
51,  
51, 51, 51, 179, 187, 187, 187, 187, 177, 177, 177, 27, 27, 27, 177, 177, 17, 17, 17,  
177,  
17, 27, 17, 17, 22, 22, 17, 17, 17, 17, 17, 17, 17, 17, 17, 22, 22, 17, 17, 17,  
97, 17, 17, 17, 17, 17, 22, 17, 97, 102, 22, 22, 17, 97, 17, 17, 17, 17, 17,  
97, 17, 17, 102, 22, 22, 230, 102, 102, 111, 246, 38, 98, 98, 47, 98, 102, 46, 38, 110,  
46, 98, 238, 34, 226, 46, 226, 226, 238, 158, 158, 158, 158, 238, 158, 238, 238, 158,  
158, 238,  
238, 126, 126, 123, 123, 190, 34, 34, 66, 34, 34, 34, 34, 34, 34, 34, 34, 34, 34,  
34, 242, 47, 47, 34, 242, 47, 255, 255, 242, 255, 255, 255, 47, 255, 242, 158, 153,  
233, 153,







153, 153, 41, 41, 153, 153, 153, 153, 153, 153, 153, 153, 153, 153, 148, 153, 153,  
153, 153, 153,  
41, 41, 41, 34, 146, 41, 41, 34, 146, 34, 34, 34, 146, 34, 34, 34, 34, 34, 34, 242,  
255, 34, 255, 34, 38, 47, 34, 38, 34, 34, 98, 98, 102, 98, 230, 46, 238, 238, 235, 238,  
187, 235, 187, 187, 59, 179, 51, 51, 51, 51, 51, 51, 51, 51, 61, 211, 61, 61, 221, 51, 211,  
216, 56, 51, 131, 51, 56, 51, 51, 51, 51, 51, 51, 179, 59, 187, 187, 187, 187, 187,  
177,  
17, 17, 17, 17, 17, 17, 17, 17, 17, 22, 22, 17, 17, 17, 17, 17, 17, 17, 17, 17,  
17, 17, 17, 17, 97, 17, 17, 17, 17, 17, 17, 27, 17, 187, 27, 187, 177, 177, 177, 17,  
17, 17, 225, 225, 102, 102, 102, 111, 102, 102, 102, 102, 230, 238, 110, 230, 230,  
34, 34, 38,  
98, 38, 38, 102, 38, 98, 158, 150, 41, 233, 233, 233, 233, 41, 233, 233, 238, 158,  
158, 238,  
238, 238, 238, 231, 238, 123, 190, 41, 34, 34, 34, 34, 34, 34, 34, 34, 242, 34, 47, 47,  
47, 47, 34, 47, 242, 255, 242, 34, 34, 47, 47, 242, 255, 255, 242, 255, 98, 233, 233,  
158,  
153, 153, 153, 153, 153, 153, 153, 153, 153, 153, 153, 153, 153, 153, 153, 153, 153,  
153, 153, 153,  
153, 153, 153, 153, 153, 153, 153, 153, 153, 153, 153, 153, 153, 153, 153, 153, 153,  
153, 153, 153,  
153, 153, 153, 153, 153, 153, 153, 153, 153, 153, 153, 153, 153, 153, 153, 153,  
153, 233, 153,  
153, 233, 153, 151, 153, 153, 153, 158, 153, 153, 153, 153, 153, 153, 153, 153,  
153, 153, 153,  
153, 153, 153, 153, 153, 153, 153, 153, 153, 153, 153, 153, 153, 153, 153, 153,  
146, 146, 153,  
41, 41, 153, 153, 41, 41, 146, 153, 41, 41, 153, 153, 153, 153, 153, 153, 153, 153,  
34, 146,  
34, 146, 34, 41, 34, 34, 34, 34, 34, 34, 34, 34, 34, 34, 34, 34, 34, 34, 34,  
34, 242, 47, 38, 34, 242, 98, 98, 102, 246, 38, 38, 98, 102, 102, 230, 226, 238, 238,  
238,  
238, 190, 187, 187, 187, 59, 115, 51, 51, 51, 51, 51, 51, 211, 61, 211, 211, 61, 221,  
61,



30, 22, 230, 230, 102, 102, 102, 102, 110, 110, 238, 238, 238, 238, 110, 102, 226,  
34, 34, 34,  
102, 34, 98, 102, 38, 34, 34, 34, 34, 98, 98, 226, 34, 233, 233, 233, 238, 41, 238, 46,  
238, 238, 238, 238, 238, 235, 190, 238, 146, 34, 34, 34, 34, 34, 242, 34, 47, 34, 47,  
242,  
34, 47, 47, 34, 242, 255, 242, 34, 242, 255, 47, 255, 47, 255, 47, 242, 255, 110, 153,  
158,  
153, 153, 153, 153, 153, 153, 153, 153, 153, 153, 153, 153, 153, 153, 153, 153, 153,  
153, 153, 153,  
153, 153, 153, 153, 153, 153, 153, 153, 153, 153, 153, 153, 153, 153, 153, 153, 153,  
153, 153, 153,  
153, 153, 153, 153, 153, 153, 153, 153, 153, 153, 153, 153, 153, 153, 233, 233, 233,  
121, 121, 151,  
153, 121, 151, 121, 121, 121, 231, 151, 153, 153, 153, 231, 153, 153, 158, 153, 233,  
153, 153, 153,  
153, 153, 153, 153, 153, 153, 153, 153, 153, 153, 153, 153, 153, 153, 153, 153, 146,  
153, 153, 146,  
146, 153, 41, 153, 41, 146, 146, 146, 153, 153, 41, 153, 153, 153, 153, 153, 153, 41,  
41, 34,  
34, 41, 34, 34, 34, 34, 34, 34, 146, 34, 34, 34, 34, 242, 242, 47, 34, 34, 34, 34,  
34, 242, 242, 34, 34, 38, 34, 98, 255, 111, 47, 38, 98, 102, 102, 102, 230, 38, 46, 46,  
238, 238, 238, 238, 187, 183, 187, 59, 51, 51, 51, 51, 61, 51, 61, 221, 221, 221, 211,  
216,  
216, 136, 136, 136, 136, 136, 136, 136, 136, 136, 136, 131, 136, 136, 136, 136, 56, 56,  
51, 51, 51,  
17, 177, 17, 17, 17, 17, 17, 17, 17, 27, 27, 187, 187, 187, 187, 27, 187, 17, 17, 177,  
27, 27, 187, 187, 187, 187, 187, 187, 179, 187, 187, 187, 187, 187, 17, 27, 17,  
17, 30,  
110, 110, 110, 102, 230, 230, 110, 238, 238, 30, 238, 238, 238, 102, 226, 34, 38, 38,  
38, 102,  
34, 98, 38, 34, 34, 98, 98, 102, 38, 146, 34, 34, 98, 150, 38, 158, 146, 238, 146, 238,  
158, 158, 158, 238, 126, 126, 123, 190, 34, 34, 34, 34, 34, 34, 47, 34, 47, 34, 34,

242, 242, 242, 255, 47, 34, 47, 255, 47, 47, 255, 47, 255, 255, 255, 255, 255, 34,  
238, 153,  
233, 233, 153, 153, 153, 153, 153, 153, 153, 153, 153, 153, 153, 153, 153, 153, 153, 153,  
153, 153, 153,  
153, 153, 153, 153, 153, 153, 153, 153, 153, 153, 153, 153, 153, 153, 153, 153, 153,  
153, 153, 153,  
153, 153, 153, 153, 153, 153, 153, 153, 153, 153, 153, 153, 153, 158, 153, 121, 151, 151,  
151, 151, 119,  
119, 119, 87, 119, 119, 119, 119, 119, 119, 119, 119, 153, 151, 158, 153, 233, 153,  
153, 233, 153,  
153, 153, 153, 153, 153, 153, 153, 153, 153, 153, 153, 153, 153, 153, 153, 153, 153,  
153, 146, 153,  
153, 153, 153, 41, 146, 153, 153, 153, 146, 146, 153, 153, 41, 153, 153, 153, 146,  
153, 34, 153,  
41, 34, 34, 34, 34, 34, 34, 34, 34, 34, 34, 34, 34, 34, 34, 242, 242, 255, 242, 255,  
242, 47, 34, 255, 246, 34, 102, 38, 98, 246, 102, 98, 246, 34, 38, 38, 38, 102, 230,  
238,  
110, 238, 238, 190, 190, 187, 187, 179, 179, 51, 51, 51, 51, 221, 221, 51, 221, 221,  
221, 136,  
141, 136, 8, 136, 8, 136, 136, 136, 136, 136, 136, 136, 136, 136, 136, 136, 136, 136, 136,  
56, 56,  
27, 17, 27, 17, 177, 27, 27, 187, 187, 187, 187, 187, 177, 177, 177, 177, 17, 187,  
187, 187,  
187, 187, 187, 187, 187, 59, 59, 51, 59, 179, 59, 179, 187, 187, 27, 187, 177, 17, 17,  
225,  
238, 230, 102, 110, 97, 97, 30, 225, 17, 225, 30, 238, 230, 98, 46, 102, 98, 98, 34,  
34,  
34, 34, 98, 38, 38, 34, 34, 34, 34, 102, 38, 38, 34, 226, 34, 226, 98, 146, 238, 146,  
238, 238, 238, 238, 238, 238, 235, 231, 233, 34, 34, 34, 47, 47, 34, 242, 47, 34, 242,  
242,  
255, 34, 47, 34, 242, 255, 242, 242, 255, 242, 242, 255, 47, 47, 242, 255, 255, 110,  
153, 233,



153, 153, 153, 153, 153, 153, 153, 153, 153, 233, 151, 158, 119, 151, 119, 119, 119,  
119, 117, 85,  
85, 87, 85, 85, 85, 85, 85, 117, 117, 87, 87, 119, 119, 119, 151, 153, 153, 121, 153,  
153,  
153, 153, 153, 153, 153, 153, 153, 153, 153, 153, 153, 153, 153, 153, 153, 146, 146,  
153, 153, 41,  
153, 153, 153, 153, 146, 153, 41, 146, 146, 153, 41, 146, 153, 146, 153, 153, 41,  
153, 41, 146,  
41, 34, 34, 34, 34, 34, 34, 34, 34, 242, 34, 34, 242, 242, 34, 47, 34, 34, 242, 255,  
242, 242, 255, 111, 98, 47, 98, 47, 38, 102, 102, 98, 102, 98, 102, 102, 111, 38, 102,  
102,  
38, 102, 110, 238, 238, 238, 238, 187, 187, 187, 51, 51, 51, 61, 211, 211, 221, 221,  
221, 141,  
8, 128, 128, 128, 128, 128, 136, 8, 0, 136, 0, 0, 136, 136, 136, 136, 136, 136, 136,  
136,  
177, 187, 187, 187, 59, 187, 187, 179, 187, 187, 187, 187, 177, 187, 187, 187, 179,  
187, 59, 51,  
51, 51, 51, 179, 51, 59, 59, 51, 179, 51, 187, 187, 187, 187, 17, 17, 17, 238, 230,  
238,  
225, 30, 17, 17, 17, 17, 177, 177, 17, 238, 238, 102, 98, 98, 102, 98, 102, 98, 38, 34,  
34, 38, 38, 34, 242, 34, 47, 34, 38, 38, 38, 38, 34, 105, 98, 105, 41, 46, 34, 146,  
233, 233, 238, 238, 238, 238, 235, 126, 190, 146, 34, 47, 47, 47, 34, 47, 34, 242, 34,  
255,  
255, 34, 47, 34, 242, 242, 255, 255, 47, 255, 47, 47, 255, 242, 255, 47, 255, 246,  
105, 238,  
158, 153, 233, 153, 153, 153, 153, 153, 153, 153, 153, 153, 153, 153, 153, 153, 153,  
153, 153, 153,  
153, 153, 153, 153, 153, 153, 153, 153, 153, 153, 153, 153, 153, 153, 153, 153, 153,  
153, 153, 153,  
153, 153, 153, 153, 153, 153, 153, 158, 153, 151, 233, 119, 151, 119, 119, 117, 85,  
85, 87, 119,  
117, 85, 85, 85, 85, 85, 85, 85, 87, 117, 117, 87, 87, 119, 119, 119, 121, 158, 231,  
158,

158, 153, 158, 153, 153, 153, 153, 153, 153, 153, 153, 153, 153, 153, 153, 153, 153, 153,  
153, 41, 153,  
146, 146, 146, 146, 153, 41, 146, 153, 41, 41, 146, 153, 34, 153, 34, 41, 146, 34,  
146, 41,  
34, 41, 34, 34, 34, 34, 34, 98, 98, 34, 98, 242, 34, 34, 242, 242, 255, 255, 47, 34,  
242, 47, 34, 34, 38, 242, 47, 246, 242, 34, 242, 102, 242, 102, 246, 38, 38, 102, 38,  
102,  
102, 102, 102, 102, 238, 238, 235, 238, 187, 187, 187, 51, 51, 51, 61, 61, 221, 211,  
216, 216,  
221, 216, 8, 216, 13, 8, 0, 128, 128, 0, 136, 136, 0, 0, 8, 0, 128, 136, 128, 136,  
187, 187, 187, 187, 187, 179, 179, 187, 187, 187, 187, 187, 187, 187, 59, 51, 51, 51,  
51, 51,  
51, 51, 51, 51, 51, 51, 51, 59, 59, 187, 179, 187, 187, 177, 17, 17, 30, 238, 225, 17,  
17, 17, 17, 177, 177, 187, 27, 17, 30, 238, 102, 102, 102, 102, 34, 102, 34, 38, 34,  
38,  
38, 34, 34, 34, 34, 34, 34, 242, 34, 98, 34, 34, 46, 150, 146, 38, 46, 41, 110, 98,  
158, 238, 158, 158, 238, 238, 126, 235, 238, 34, 34, 242, 34, 34, 242, 34, 47, 47,  
242, 34,  
34, 255, 242, 255, 47, 255, 47, 47, 255, 47, 255, 255, 47, 255, 255, 255, 255, 255,  
110, 153,  
153, 233, 153, 233, 153, 153, 153, 153, 153, 153, 153, 153, 153, 153, 153, 153, 153, 153,  
153, 153, 153,  
153, 153, 153, 153, 153, 153, 153, 153, 153, 153, 153, 153, 153, 153, 153, 153, 153, 153,  
153, 153, 153,  
153, 153, 153, 153, 153, 153, 233, 153, 126, 121, 119, 119, 87, 85, 117, 117, 119,  
119, 117, 85,  
85, 85, 85, 85, 85, 85, 85, 85, 85, 87, 87, 117, 117, 87, 87, 119, 119, 116, 153, 153,  
153, 158, 153, 153, 153, 153, 153, 153, 153, 153, 153, 153, 153, 153, 153, 153, 41, 153,  
153, 153, 146,  
153, 153, 153, 153, 41, 153, 41, 146, 153, 146, 41, 41, 153, 34, 153, 146, 41, 146,  
41, 34,  
146, 34, 41, 34, 146, 38, 34, 150, 38, 34, 34, 34, 38, 34, 47, 34, 34, 34, 242, 242,

246, 246, 102, 102, 98, 38, 111, 34, 98, 102, 38, 47, 102, 102, 111, 102, 102, 102,  
102, 38,  
102, 98, 226, 230, 102, 238, 238, 238, 238, 187, 187, 187, 51, 51, 51, 211, 51, 61,  
216, 216,  
128, 128, 141, 0, 141, 208, 8, 0, 8, 128, 0, 0, 128, 128, 128, 128, 136, 0, 136, 8,  
179, 187, 179, 179, 59, 59, 187, 187, 59, 187, 179, 179, 51, 51, 51, 51, 51, 51, 51,  
51,  
51, 51, 51, 51, 51, 51, 179, 179, 179, 187, 187, 187, 177, 17, 17, 17, 97, 17, 17, 17,  
27, 27, 187, 187, 187, 177, 177, 238, 238, 102, 230, 102, 38, 38, 102, 34, 102, 34,  
38, 34,  
34, 47, 242, 242, 242, 242, 255, 38, 38, 38, 38, 46, 41, 98, 98, 105, 34, 38, 153, 46,  
233, 41, 226, 233, 233, 238, 238, 238, 187, 233, 34, 34, 242, 242, 47, 47, 34, 34, 47,  
255,  
255, 34, 47, 242, 255, 47, 255, 255, 47, 255, 47, 255, 255, 47, 255, 255, 255, 255,  
246, 238,  
233, 153, 233, 153, 233, 233, 153, 153, 153, 153, 153, 153, 153, 153, 153, 153, 153,  
153, 153, 153,  
153, 153, 153, 153, 153, 153, 153, 153, 153, 153, 153, 153, 153, 153, 153, 153, 153,  
153, 153, 153,  
153, 153, 153, 153, 153, 233, 151, 231, 151, 119, 119, 119, 87, 119, 87, 119, 119,  
119, 119, 119,  
85, 85, 85, 85, 93, 93, 85, 85, 85, 85, 85, 87, 85, 117, 117, 87, 119, 119, 119, 151,  
158, 153, 158, 153, 158, 153, 146, 153, 153, 153, 153, 153, 153, 146, 153, 153, 153,  
41, 41, 41,  
146, 146, 146, 146, 153, 41, 146, 153, 41, 153, 153, 146, 146, 153, 34, 41, 146, 41,  
146, 146,  
34, 146, 34, 34, 34, 34, 38, 34, 34, 226, 226, 102, 98, 38, 34, 34, 38, 47, 47, 111,  
34, 34, 34, 34, 102, 102, 38, 102, 102, 47, 102, 98, 38, 38, 102, 102, 102, 102, 102,  
102,  
98, 102, 102, 102, 102, 46, 110, 238, 238, 238, 235, 187, 187, 51, 51, 61, 221, 221,  
211, 141,  
216, 136, 208, 136, 0, 8, 0, 128, 128, 0, 128, 8, 0, 0, 0, 0, 0, 128, 0, 128,  
59, 51, 59, 59, 179, 187, 59, 59, 179, 51, 51, 51, 51, 51, 51, 56, 51, 131, 131, 131,



56, 51, 51, 51, 51, 51, 51, 59, 59, 187, 187, 177, 17, 17, 17, 225, 17, 17, 187, 187,  
187, 187, 187, 187, 187, 17, 238, 238, 230, 102, 102, 102, 102, 102, 38, 102, 34,  
102, 242, 47,  
47, 34, 34, 34, 34, 34, 38, 34, 98, 34, 98, 41, 102, 34, 34, 150, 34, 34, 102, 41,  
150, 238, 46, 238, 238, 238, 231, 231, 238, 226, 34, 34, 34, 47, 34, 242, 255, 255,  
242, 34,  
34, 255, 242, 47, 242, 255, 47, 47, 255, 255, 255, 47, 255, 255, 255, 255, 255, 255,  
246, 41,  
158, 233, 158, 153, 153, 153, 233, 153, 153, 153, 153, 153, 153, 153, 153, 153, 153,  
153, 153, 153,  
153, 153, 153, 153, 153, 153, 153, 153, 153, 153, 153, 153, 153, 153, 153, 153, 153,  
153, 153, 153,  
153, 158, 153, 233, 238, 151, 233, 126, 119, 117, 117, 87, 119, 119, 119, 124, 124,  
124, 124, 87,  
87, 117, 87, 85, 85, 85, 93, 93, 85, 85, 87, 85, 119, 85, 117, 117, 85, 119, 119, 121,  
121, 151, 153, 158, 153, 153, 153, 153, 41, 146, 153, 153, 153, 153, 146, 153, 41,  
153, 153, 153,  
41, 153, 41, 41, 146, 146, 153, 41, 146, 146, 34, 146, 41, 41, 153, 146, 41, 34, 34,  
34,  
41, 34, 146, 41, 34, 34, 34, 38, 34, 34, 34, 34, 38, 34, 102, 38, 34, 34, 98, 38,  
102, 102, 102, 102, 34, 98, 98, 98, 38, 102, 34, 102, 98, 98, 98, 102, 246, 98, 102,  
102,  
102, 102, 102, 102, 102, 230, 102, 102, 238, 238, 238, 190, 187, 187, 179, 51, 51,  
51, 221, 136,  
141, 136, 8, 128, 136, 13, 141, 8, 8, 0, 8, 0, 0, 128, 8, 0, 0, 8, 0, 0,  
51, 59, 59, 51, 179, 179, 179, 51, 51, 51, 51, 56, 51, 56, 136, 131, 136, 56, 56, 56,  
51, 51, 51, 51, 51, 59, 59, 179, 187, 187, 177, 17, 17, 17, 17, 17, 187, 187, 187, 187,  
187, 179, 187, 187, 177, 30, 238, 238, 230, 230, 230, 38, 102, 34, 98, 34, 98, 34, 34,  
242,  
242, 242, 34, 242, 255, 255, 34, 98, 38, 98, 38, 230, 146, 38, 38, 98, 38, 34, 146, 46,  
105, 146, 233, 158, 158, 238, 238, 238, 183, 190, 146, 47, 47, 34, 242, 34, 34, 34,  
47, 255,

255, 34, 255, 255, 47, 255, 255, 255, 47, 47, 255, 255, 242, 255, 255, 255, 255, 255,  
246, 238,  
233, 158, 153, 233, 153, 233, 153, 233, 233, 233, 153, 153, 153, 153, 153, 153, 153,  
153, 153, 153,  
153, 153, 153, 153, 153, 153, 153, 153, 153, 158, 153, 153, 158, 153, 153, 153, 158, 153,  
158, 158, 158,  
158, 153, 233, 151, 151, 233, 119, 119, 85, 87, 87, 119, 119, 124, 204, 199, 204,  
199, 199, 204,  
124, 124, 119, 119, 85, 85, 85, 213, 85, 85, 85, 117, 85, 117, 87, 87, 117, 85, 87,  
119,  
119, 153, 233, 153, 153, 158, 153, 233, 153, 153, 153, 41, 41, 41, 153, 153, 153,  
146, 146, 153,  
153, 41, 153, 153, 41, 153, 41, 146, 41, 41, 153, 153, 146, 146, 34, 41, 34, 146, 41,  
41,  
34, 34, 34, 34, 34, 34, 34, 41, 226, 226, 238, 46, 34, 238, 146, 98, 102, 98, 38, 34,  
34, 38, 34, 98, 230, 102, 102, 110, 102, 38, 110, 102, 102, 102, 102, 38, 102, 110,  
102, 102,  
102, 102, 102, 102, 102, 111, 102, 230, 110, 238, 238, 238, 235, 235, 187, 187, 51,  
51, 51, 211,  
136, 136, 136, 8, 13, 128, 0, 128, 0, 128, 0, 0, 128, 0, 0, 0, 0, 0, 0,  
59, 59, 179, 179, 51, 51, 51, 51, 51, 56, 56, 131, 136, 131, 131, 136, 51, 131, 131,  
51,  
56, 51, 51, 51, 51, 179, 179, 187, 187, 177, 17, 17, 17, 187, 187, 187, 187, 187, 59,  
179,  
51, 187, 187, 177, 238, 238, 238, 238, 110, 102, 102, 102, 38, 102, 38, 98, 38, 47,  
255, 34,  
34, 34, 47, 47, 47, 38, 98, 38, 98, 46, 34, 146, 98, 34, 41, 34, 41, 34, 98, 41,  
38, 98, 46, 226, 238, 158, 238, 238, 235, 238, 146, 34, 242, 242, 47, 255, 255, 255,  
242, 34,  
47, 255, 242, 242, 255, 47, 47, 47, 255, 255, 47, 255, 255, 255, 255, 255, 255, 255,  
255, 98,  
46, 233, 233, 158, 233, 158, 153, 153, 153, 153, 233, 233, 153, 233, 158, 153, 153,  
153, 153, 233,

153, 233, 233, 153, 233, 233, 233, 158, 153, 158, 158, 153, 158, 158, 158, 153, 158,  
153, 153, 153,  
153, 233, 151, 233, 233, 119, 117, 85, 119, 117, 119, 124, 124, 199, 204, 124, 204,  
204, 204, 124,  
199, 199, 204, 170, 167, 165, 85, 85, 93, 85, 85, 85, 117, 85, 117, 85, 87, 119, 117,  
117,  
119, 119, 151, 158, 158, 153, 153, 153, 158, 153, 153, 153, 153, 153, 41, 146, 153,  
153, 153, 41,  
41, 146, 146, 146, 153, 41, 146, 153, 153, 146, 146, 146, 41, 41, 41, 34, 146, 41, 34,  
34,  
34, 146, 34, 34, 34, 34, 34, 98, 150, 150, 146, 233, 226, 34, 238, 38, 34, 38, 98, 102,  
102, 34, 110, 38, 38, 38, 38, 38, 38, 230, 38, 98, 102, 98, 102, 102, 38, 38, 102, 102,  
110, 110, 102, 102, 102, 102, 102, 102, 230, 102, 238, 238, 238, 235, 235, 187, 179,  
51, 51, 61,  
61, 61, 136, 136, 128, 128, 141, 0, 128, 8, 0, 128, 0, 0, 0, 0, 128, 0, 0, 0,  
179, 51, 51, 51, 51, 51, 131, 131, 136, 136, 136, 136, 136, 56, 136, 56, 136, 56, 56,  
56,  
51, 51, 51, 51, 59, 59, 187, 177, 177, 17, 177, 187, 187, 187, 187, 59, 51, 51, 51, 59,  
187, 187, 177, 30, 30, 238, 238, 238, 230, 102, 102, 102, 98, 38, 98, 38, 242, 242,  
34, 255,  
34, 255, 255, 242, 111, 242, 102, 98, 38, 34, 98, 226, 38, 38, 34, 34, 98, 34, 34, 38,  
34, 150, 34, 158, 46, 238, 238, 231, 238, 190, 226, 34, 34, 47, 34, 34, 34, 34, 47,  
255,  
242, 242, 255, 47, 255, 255, 255, 255, 255, 255, 255, 255, 47, 255, 255, 255, 255,  
255, 255, 238,  
233, 158, 158, 153, 158, 153, 153, 233, 158, 153, 153, 153, 233, 153, 153, 158, 158,  
158, 153, 153,  
233, 153, 153, 233, 153, 153, 158, 153, 158, 153, 153, 158, 153, 153, 153, 151, 153,  
151, 158, 151,  
158, 151, 153, 231, 119, 85, 87, 117, 85, 119, 124, 119, 204, 124, 204, 204, 204,  
199, 199, 202,  
204, 124, 199, 204, 199, 170, 119, 85, 85, 93, 85, 85, 87, 117, 87, 87, 85, 85, 87, 87,

87, 119, 121, 121, 233, 153, 233, 153, 153, 153, 41, 146, 146, 153, 153, 153, 146,  
146, 153, 153,  
146, 153, 41, 41, 146, 146, 153, 34, 34, 41, 41, 41, 146, 146, 146, 146, 41, 34, 146,  
146,  
34, 34, 34, 34, 34, 34, 34, 34, 105, 233, 226, 158, 38, 238, 150, 226, 238, 226, 46,  
34,  
38, 102, 34, 102, 98, 230, 102, 230, 102, 46, 230, 110, 102, 110, 102, 102, 230, 230,  
102, 102,  
230, 238, 238, 230, 238, 110, 110, 230, 102, 110, 110, 110, 238, 238, 238, 177, 187,  
187, 51, 51,  
211, 136, 136, 136, 136, 136, 128, 136, 8, 0, 128, 0, 0, 0, 0, 0, 0, 0, 0,  
51, 51, 51, 131, 136, 136, 136, 136, 136, 136, 136, 136, 56, 136, 56, 131, 131, 131,  
51, 51,  
51, 51, 51, 51, 179, 187, 187, 187, 17, 187, 27, 187, 187, 51, 51, 51, 59, 51, 187,  
179,  
187, 177, 27, 225, 17, 238, 238, 230, 110, 102, 102, 38, 102, 98, 38, 34, 242, 47, 47,  
34,  
255, 242, 47, 255, 38, 38, 34, 102, 98, 98, 46, 150, 34, 41, 98, 34, 34, 34, 34, 34,  
34, 226, 46, 226, 233, 233, 238, 238, 231, 235, 146, 34, 242, 242, 255, 255, 255,  
255, 47, 47,  
47, 47, 47, 255, 47, 47, 255, 242, 255, 47, 255, 255, 255, 255, 255, 255, 255,  
255, 102,  
110, 233, 233, 238, 153, 233, 233, 158, 153, 158, 153, 233, 158, 158, 158, 153, 153,  
153, 233, 233,  
158, 153, 121, 153, 121, 233, 153, 151, 153, 121, 231, 153, 151, 151, 151, 153, 151,  
153, 148, 233,  
151, 153, 231, 119, 117, 119, 85, 87, 119, 119, 119, 204, 124, 204, 204, 204, 204,  
204, 172, 204,  
172, 202, 204, 170, 204, 170, 119, 117, 85, 85, 85, 85, 85, 87, 85, 117, 117, 117,  
117, 117,  
117, 119, 119, 121, 121, 233, 158, 158, 153, 153, 146, 153, 153, 146, 153, 41, 153,  
153, 41, 41,  
41, 146, 153, 153, 41, 41, 41, 153, 153, 146, 146, 146, 41, 34, 41, 41, 34, 34, 34, 34,

146, 34, 34, 34, 34, 34, 34, 34, 34, 34, 34, 38, 98, 98, 34, 226, 46, 34, 46, 226, 110,  
34, 38, 102, 34, 102, 38, 38, 38, 102, 230, 102, 230, 110, 102, 102, 110, 102, 102,  
102, 102,  
102, 102, 102, 238, 230, 238, 230, 110, 110, 110, 230, 238, 238, 238, 238, 238, 27,  
235, 187, 59,  
51, 51, 56, 136, 136, 128, 216, 0, 128, 128, 0, 128, 0, 13, 0, 0, 0, 0, 128, 0,  
56, 56, 136, 136, 136, 136, 136, 136, 136, 136, 136, 136, 136, 131, 136, 56, 56, 56,  
51, 51,  
51, 51, 59, 187, 187, 187, 177, 27, 187, 187, 59, 51, 51, 51, 51, 51, 51, 59, 51, 187,  
187, 27, 17, 17, 238, 238, 238, 238, 102, 102, 102, 98, 98, 38, 242, 255, 47, 34, 242,  
255,  
47, 246, 111, 102, 98, 230, 102, 34, 38, 46, 41, 98, 34, 98, 34, 34, 34, 34, 34, 34,  
34, 146, 233, 46, 158, 238, 233, 238, 238, 190, 178, 34, 47, 47, 34, 34, 34, 47, 242,  
255,  
255, 255, 255, 47, 255, 255, 47, 255, 255, 255, 255, 255, 255, 255, 255, 255, 255,  
255, 255, 254,  
226, 158, 158, 153, 238, 153, 158, 153, 158, 153, 233, 158, 153, 153, 153, 151, 158,  
153, 153, 151,  
153, 121, 153, 121, 153, 71, 151, 153, 74, 148, 73, 71, 73, 73, 73, 68, 73, 68, 164,  
68,  
73, 68, 78, 119, 119, 117, 117, 117, 87, 119, 204, 124, 204, 204, 204, 204, 204, 172,  
204, 124,  
202, 204, 172, 204, 170, 204, 122, 117, 85, 93, 93, 85, 87, 85, 117, 85, 87, 87, 85,  
85,  
117, 85, 87, 119, 71, 158, 153, 153, 233, 233, 153, 41, 153, 41, 146, 153, 41, 41,  
146, 146,  
153, 41, 146, 146, 153, 146, 146, 34, 34, 41, 41, 34, 146, 153, 34, 34, 146, 146, 146,  
34,  
34, 34, 34, 34, 34, 34, 34, 34, 98, 98, 34, 150, 38, 46, 46, 226, 238, 226, 238, 46,  
238, 226, 46, 110, 34, 226, 230, 102, 98, 102, 102, 102, 102, 238, 230, 230, 230,  
230, 230, 230,  
102, 230, 238, 102, 238, 238, 238, 238, 238, 230, 110, 102, 110, 110, 238, 238, 238,  
17, 27, 187,

179, 51, 51, 51, 136, 136, 128, 136, 8, 8, 128, 8, 13, 0, 0, 0, 0, 0, 0, 0,  
136, 136, 136, 136, 136, 136, 136, 136, 136, 136, 136, 136, 136, 56, 136, 56, 131, 51, 51,  
51, 51,  
51, 59, 179, 187, 187, 17, 187, 187, 187, 51, 51, 51, 51, 51, 51, 51, 51, 179, 187,  
187,  
17, 177, 177, 225, 238, 238, 238, 102, 230, 102, 246, 246, 246, 98, 47, 34, 255, 255,  
255, 246,  
102, 98, 102, 38, 38, 34, 38, 102, 98, 34, 230, 34, 98, 34, 34, 34, 34, 34, 34,  
38, 98, 150, 41, 226, 46, 238, 238, 126, 235, 238, 159, 34, 242, 255, 255, 255, 242,  
255, 47,  
47, 47, 47, 255, 242, 255, 255, 47, 255, 255, 255, 255, 255, 255, 255, 255, 255,  
255, 246,  
110, 114, 233, 238, 153, 233, 233, 151, 153, 121, 151, 153, 151, 151, 151, 153, 148,  
121, 116, 169,  
68, 148, 68, 148, 68, 68, 68, 68, 68, 68, 68, 68, 68, 68, 68, 68, 68, 68, 68,  
68, 68, 68, 119, 119, 119, 119, 87, 119, 124, 87, 199, 204, 204, 204, 204, 204, 204,  
124, 202,  
204, 172, 202, 172, 204, 167, 167, 119, 85, 85, 85, 85, 85, 117, 85, 117, 117, 85,  
117, 117,  
87, 87, 117, 119, 87, 151, 158, 233, 153, 153, 233, 158, 146, 153, 41, 153, 146, 146,  
153, 153,  
146, 153, 41, 153, 41, 41, 153, 153, 153, 146, 34, 153, 34, 34, 153, 41, 34, 34, 34,  
146,  
34, 146, 34, 34, 34, 34, 98, 98, 34, 150, 38, 98, 34, 105, 226, 46, 46, 46, 34, 226,  
226, 238, 226, 38, 230, 102, 38, 98, 238, 102, 230, 238, 238, 102, 238, 110, 238,  
238, 110, 238,  
230, 110, 102, 238, 110, 238, 238, 238, 238, 238, 238, 238, 238, 238, 238, 238, 238,  
238, 30, 235,  
187, 187, 51, 51, 51, 136, 216, 136, 128, 128, 8, 0, 0, 0, 8, 0, 128, 0, 0, 0,  
136, 136, 136, 136, 8, 128, 128, 8, 8, 136, 136, 136, 131, 131, 131, 56, 51, 51, 51,  
51,  
59, 179, 187, 187, 187, 187, 187, 51, 51, 51, 51, 51, 51, 51, 51, 187, 59, 187,  
177,

187, 17, 17, 238, 238, 238, 238, 238, 102, 246, 111, 98, 242, 47, 255, 255, 47, 242,  
102, 98,  
98, 102, 38, 102, 230, 110, 98, 34, 46, 34, 146, 34, 34, 34, 34, 34, 34, 34, 34, 34,  
41, 34, 98, 238, 46, 226, 238, 238, 238, 238, 190, 146, 47, 47, 34, 34, 242, 255, 47,  
242,  
255, 255, 255, 47, 255, 255, 255, 255, 255, 255, 255, 255, 255, 255, 255, 255,  
255, 255, 246,  
238, 46, 151, 153, 231, 158, 151, 153, 233, 158, 73, 151, 153, 73, 73, 68, 164, 148,  
68, 68,  
68, 68, 68, 68, 68, 68, 68, 68, 68, 68, 68, 68, 68, 68, 68, 68, 68, 68, 68,  
68, 68, 68, 71, 119, 119, 119, 119, 119, 119, 119, 204, 204, 204, 204, 204, 204, 204, 172,  
202, 204,  
172, 199, 204, 202, 202, 204, 122, 117, 85, 93, 93, 85, 85, 87, 117, 87, 85, 117, 87,  
87,  
85, 117, 87, 85, 119, 116, 121, 153, 233, 153, 153, 153, 153, 153, 153, 146, 153,  
153, 41, 34,  
153, 41, 146, 34, 146, 146, 41, 34, 34, 41, 146, 34, 146, 146, 34, 146, 41, 34, 146,  
34,  
146, 34, 34, 34, 34, 34, 34, 34, 38, 34, 41, 38, 38, 46, 38, 226, 226, 238, 238, 238,  
46, 226, 238, 226, 98, 226, 226, 110, 98, 230, 110, 102, 230, 238, 238, 238, 238,  
238, 238, 238,  
238, 238, 238, 230, 238, 238, 238, 17, 30, 225, 238, 238, 238, 230, 238, 238, 238,  
238, 225, 30,  
17, 27, 187, 51, 51, 51, 56, 136, 136, 136, 128, 136, 8, 8, 0, 0, 0, 0, 0, 0,  
8, 0, 8, 0, 128, 136, 136, 136, 136, 136, 136, 131, 136, 56, 56, 51, 51, 51, 51, 187,  
187, 59, 187, 187, 187, 51, 51, 51, 51, 51, 51, 131, 56, 51, 51, 59, 59, 187, 187, 187,  
27, 27, 17, 238, 238, 238, 230, 102, 102, 111, 246, 38, 38, 255, 47, 47, 111, 102, 98,  
102,  
110, 102, 230, 98, 38, 34, 102, 102, 105, 230, 98, 98, 34, 98, 34, 34, 34, 34, 34,  
38, 38, 150, 153, 226, 158, 158, 238, 238, 123, 238, 226, 34, 242, 255, 255, 47, 47,  
242, 255,  
255, 47, 47, 255, 47, 255, 255, 255, 242, 255, 255, 255, 255, 255, 255, 255,  
255, 255, 255,

106, 238, 233, 231, 153, 154, 153, 164, 68, 68, 68, 68, 68, 68, 68, 68, 68, 68, 68, 68, 68, 68, 68, 68,  
68,  
68, 68, 68, 68, 119, 199, 119, 119, 124, 124, 119, 204, 124, 204, 204, 204, 202, 202,  
204, 172,  
202, 204, 172, 172, 170, 119, 119, 87, 85, 85, 213, 213, 85, 85, 87, 85, 117, 87, 85,  
85,  
117, 87, 85, 117, 117, 119, 126, 126, 158, 233, 158, 153, 233, 46, 146, 41, 41, 41,  
146, 153,  
41, 146, 153, 153, 41, 41, 146, 153, 153, 146, 41, 146, 41, 34, 146, 41, 34, 146, 34,  
34,  
34, 34, 34, 34, 34, 34, 34, 34, 38, 34, 98, 102, 41, 105, 34, 98, 46, 46, 98, 46, 226,  
238, 46, 238, 238, 238, 46, 110, 98, 110, 46, 98, 238, 238, 230, 238, 238, 238, 238,  
238, 238,  
238, 30, 238, 238, 238, 238, 238, 238, 225, 17, 17, 17, 30, 30, 238, 97, 238, 238,  
238, 225,  
225, 17, 187, 187, 179, 51, 51, 56, 136, 136, 136, 8, 0, 128, 8, 0, 0, 0, 0,  
128, 136, 0, 136, 136, 8, 128, 136, 136, 136, 136, 136, 51, 131, 51, 51, 51, 187,  
59,  
187, 187, 187, 51, 51, 51, 51, 51, 51, 131, 131, 56, 51, 51, 59, 59, 179, 187, 187,  
187,  
177, 190, 17, 30, 238, 238, 230, 230, 98, 111, 98, 242, 242, 242, 255, 102, 246, 98,  
110, 102,  
102, 102, 98, 238, 226, 238, 34, 34, 46, 146, 34, 38, 34, 34, 34, 34, 34, 34, 34, 34,  
34, 34, 34, 34, 230, 46, 238, 238, 158, 238, 238, 187, 146, 47, 47, 47, 47, 255, 47,  
255,  
47, 255, 255, 255, 255, 242, 255, 255, 255, 255, 255, 255, 255, 255, 255, 255,  
255, 255, 255,  
246, 68, 74, 73, 68, 68, 68, 68, 68, 68, 68, 68, 68, 68, 68, 68, 68, 68, 68, 68,  
68, 68, 68, 68, 68, 68, 68, 68, 68, 68, 68, 68, 68, 68, 68, 68, 68, 68, 68,  
68, 68, 68, 68, 39, 119, 119, 119, 117, 197, 199, 124, 204, 204, 204, 204, 204, 204,  
172, 199,  
172, 170, 202, 199, 199, 167, 117, 85, 85, 213, 85, 85, 85, 87, 85, 117, 85, 117, 87,  
87,



87, 85, 117, 87, 87, 85, 119, 151, 153, 158, 153, 233, 153, 153, 153, 153, 146, 146,  
153, 34,  
146, 41, 146, 41, 146, 146, 146, 146, 34, 41, 34, 41, 34, 146, 41, 34, 34, 34, 146,  
146,  
34, 146, 34, 34, 34, 34, 98, 105, 98, 34, 34, 102, 38, 38, 150, 98, 98, 238, 226, 238,  
238, 238, 238, 46, 238, 238, 226, 238, 38, 230, 110, 102, 110, 238, 238, 238, 238,  
238, 17, 225,  
17, 225, 17, 17, 30, 30, 225, 225, 225, 225, 17, 17, 17, 17, 17, 30, 230, 102, 110,  
238,  
30, 30, 30, 17, 187, 187, 51, 51, 56, 136, 136, 136, 136, 8, 0, 128, 128, 0, 0, 0,  
0, 0, 136, 0, 8, 128, 136, 136, 136, 136, 131, 51, 131, 51, 51, 51, 51, 59, 59, 187,  
187, 59, 51, 51, 51, 51, 56, 56, 136, 51, 56, 51, 51, 51, 179, 179, 59, 187, 187, 177,  
177, 27, 30, 30, 238, 230, 110, 102, 102, 255, 255, 255, 255, 246, 246, 111, 102,  
110, 102, 102,  
230, 98, 238, 38, 46, 34, 238, 98, 105, 98, 98, 41, 98, 34, 34, 34, 98, 38, 34, 34,  
98, 38, 38, 146, 233, 233, 238, 238, 238, 126, 231, 230, 34, 242, 242, 255, 255, 47,  
255, 47,  
255, 242, 255, 47, 255, 255, 255, 242, 255, 255, 242, 255, 255, 255, 255, 255, 47,  
36, 244, 36,  
68,  
68, 68, 68, 68, 68, 68, 68, 68, 68, 68, 68, 68, 68, 68, 68, 76, 68, 68, 196, 68,  
68, 68, 76, 68, 74, 119, 197, 119, 119, 87, 124, 119, 199, 124, 204, 204, 199, 167,  
199, 204,  
199, 204, 122, 122, 87, 85, 85, 85, 93, 85, 213, 85, 85, 85, 117, 85, 117, 87, 85, 117,  
85, 117, 87, 85, 117, 119, 87, 119, 151, 233, 233, 158, 153, 233, 153, 233, 41, 41,  
34, 153,  
41, 146, 41, 146, 41, 41, 41, 41, 34, 153, 34, 146, 41, 34, 146, 146, 146, 34, 34,  
34, 34, 34, 34, 34, 34, 34, 38, 150, 38, 34, 41, 98, 98, 98, 38, 46, 34, 238, 46,  
238, 46, 238, 238, 238, 238, 238, 238, 238, 46, 102, 238, 46, 110, 110, 238, 238,  
225, 225, 30,  
17, 17, 17, 30, 17, 17, 17, 225, 30, 17, 225, 17, 17, 17, 17, 17, 30, 98, 174, 238,  
238, 225, 225, 17, 17, 27, 187, 51, 51, 51, 136, 136, 128, 136, 128, 8, 0, 0, 0, 0,

8, 8, 0, 136, 136, 136, 136, 136, 136, 131, 136, 56, 51, 51, 51, 51, 187, 187, 179,  
179,  
51, 51, 51, 51, 56, 131, 131, 131, 51, 131, 131, 51, 51, 51, 51, 187, 187, 187, 187,  
187,  
27, 30, 30, 238, 238, 110, 102, 38, 255, 98, 255, 38, 246, 246, 102, 102, 102, 102,  
230, 230,  
102, 238, 226, 226, 226, 230, 34, 46, 38, 34, 34, 98, 34, 34, 34, 34, 34, 34, 34, 34,  
34, 34, 34, 230, 46, 46, 238, 238, 238, 235, 187, 226, 34, 47, 255, 47, 47, 255, 47,  
255,  
242, 255, 255, 255, 242, 255, 242, 255, 255, 242, 255, 47, 34, 36, 36, 36, 68, 68, 68,  
68,  
68,  
68, 68, 68, 68, 68, 76, 68, 68, 68, 68, 68, 196, 68, 68, 68, 68, 68, 68, 68,  
68, 68, 68, 68, 68, 39, 119, 199, 119, 199, 117, 199, 124, 199, 199, 199, 119, 199,  
122, 117,  
122, 85, 119, 85, 117, 85, 85, 93, 85, 213, 93, 85, 85, 119, 85, 117, 87, 85, 117, 85,  
117, 87, 85, 117, 85, 85, 117, 87, 121, 233, 158, 153, 233, 146, 233, 153, 41, 34,  
153, 34,  
146, 41, 146, 41, 146, 153, 34, 146, 146, 153, 34, 146, 41, 34, 146, 34, 34, 34, 34,  
41,  
34, 34, 34, 34, 34, 34, 38, 34, 98, 34, 98, 230, 38, 150, 38, 34, 34, 110, 34, 238,  
46, 238, 238, 238, 238, 238, 238, 238, 238, 238, 238, 46, 238, 110, 238, 238, 238,  
225, 17, 17,  
17, 17, 17, 187, 27, 27, 17, 17, 17, 17, 17, 17, 17, 17, 177, 17, 177, 17, 166, 110, 17,  
17, 30, 17, 225, 17, 17, 187, 187, 187, 51, 51, 56, 136, 136, 8, 128, 8, 8, 0, 128,  
128, 8, 136, 8, 8, 136, 136, 136, 131, 131, 51, 51, 51, 51, 59, 187, 179, 179, 51, 51,  
51, 51, 56, 136, 131, 56, 56, 56, 136, 56, 51, 51, 51, 51, 179, 51, 179, 187, 187, 17,  
17, 225, 225, 238, 238, 102, 102, 111, 98, 255, 38, 111, 102, 102, 102, 110, 110,  
238, 110, 238,  
238, 226, 110, 110, 46, 34, 230, 34, 98, 38, 34, 34, 34, 242, 34, 98, 34, 34, 34, 34,  
98, 38, 46, 146, 226, 238, 158, 46, 238, 126, 238, 190, 159, 47, 242, 242, 255, 47,  
242, 242,  
255, 242, 255, 242, 255, 47, 47, 34, 34, 34, 66, 68, 68, 73, 68, 68, 68, 68, 68, 68,

68,  
68, 68, 68, 196, 68, 68, 68, 68, 68, 68, 68, 68, 68, 68, 196, 68, 68, 68, 68, 68,  
76, 68, 68, 68, 68, 74, 119, 119, 119, 87, 119, 119, 119, 119, 124, 124, 117, 85, 85,  
85,  
85, 87, 85, 85, 85, 85, 93, 85, 213, 93, 85, 85, 119, 85, 119, 87, 85, 117, 85, 117,  
87, 85, 117, 85, 119, 87, 87, 119, 119, 121, 121, 233, 158, 153, 153, 233, 34, 153,  
146, 41,  
41, 34, 41, 34, 146, 34, 153, 41, 34, 34, 146, 41, 34, 146, 41, 41, 41, 34, 146, 34,  
34, 146, 34, 34, 34, 34, 242, 34, 34, 98, 46, 146, 98, 98, 98, 110, 102, 34, 238, 34,  
238, 238, 238, 238, 238, 238, 238, 238, 238, 238, 238, 238, 238, 238, 230, 230, 110, 238, 238,  
238, 30, 17,  
27, 27, 187, 17, 177, 177, 187, 177, 177, 27, 17, 17, 17, 17, 27, 17, 177, 17, 17, 17,  
17, 17, 238, 17, 225, 17, 17, 27, 187, 187, 51, 51, 51, 136, 136, 136, 128, 0, 128, 0,  
8, 128, 8, 136, 136, 136, 136, 131, 51, 51, 51, 51, 59, 59, 179, 59, 59, 51, 51, 51,  
51, 136, 131, 51, 136, 131, 136, 131, 51, 131, 51, 51, 51, 51, 59, 187, 59, 187, 187,  
187,  
17, 30, 238, 238, 102, 102, 255, 242, 255, 246, 102, 102, 102, 230, 238, 238, 238,  
110, 238, 110,  
98, 238, 226, 98, 226, 230, 34, 98, 34, 34, 38, 34, 34, 34, 242, 34, 38, 34, 98, 98,  
38, 34, 233, 238, 46, 46, 238, 238, 238, 238, 187, 238, 159, 34, 242, 255, 47, 242,  
255, 255,  
242, 255, 34, 242, 34, 34, 66, 68, 68, 68, 68, 68, 68, 68, 68, 68, 68, 68, 68, 68, 68,  
68, 68, 68, 68, 68, 68, 68, 68, 68, 68, 68, 68, 68, 68, 68, 76, 68, 68, 196, 68,  
76, 68, 68, 68, 68, 68, 68, 68, 196, 68, 68, 68, 68, 68, 68, 68, 68, 68, 68, 68,  
68, 68, 68, 68, 68, 68, 170, 119, 119, 119, 119, 119, 119, 119, 117, 119, 85, 85, 85,  
85,  
85, 85, 85, 93, 85, 213, 213, 93, 93, 85, 213, 119, 119, 199, 119, 117, 119, 87, 119,  
87,  
85, 117, 85, 117, 85, 117, 117, 85, 87, 119, 158, 158, 153, 233, 233, 153, 41, 46,  
146, 146,  
146, 153, 146, 146, 41, 153, 34, 34, 146, 146, 34, 146, 41, 34, 146, 34, 34, 34, 34,  
34,  
34, 34, 34, 34, 34, 34, 34, 38, 38, 38, 41, 230, 38, 46, 38, 34, 34, 230, 41, 238,

46, 46, 238, 238, 238, 190, 190, 190, 238, 238, 238, 238, 238, 238, 230, 230, 238,  
238, 17, 17,  
17, 190, 17, 187, 27, 187, 177, 187, 27, 187, 187, 27, 27, 27, 17, 187, 187, 187, 187,  
187,  
187, 17, 177, 17, 17, 17, 17, 17, 27, 187, 187, 51, 51, 131, 131, 136, 136, 136, 8, 8,  
128, 136, 136, 136, 136, 131, 131, 51, 131, 51, 51, 59, 179, 179, 59, 51, 51, 51, 51,  
136,  
136, 51, 136, 136, 51, 136, 51, 56, 131, 51, 131, 131, 51, 51, 51, 59, 187, 187, 17,  
17,  
30, 238, 238, 102, 102, 111, 255, 111, 102, 102, 102, 102, 238, 238, 110, 238, 238,  
238, 238, 230,  
238, 226, 238, 46, 46, 34, 102, 38, 38, 34, 34, 34, 242, 98, 34, 38, 34, 38, 34, 38,  
34, 226, 46, 34, 226, 238, 226, 238, 238, 235, 231, 190, 34, 242, 255, 47, 242, 47,  
34, 34,  
34, 34, 36, 36, 68, 68, 68, 68, 68, 68, 68, 68, 68, 68, 68, 68, 68, 68, 68, 68, 68,  
68, 68, 68, 68, 68, 68, 68, 68, 68, 68, 68, 68, 68, 76, 68, 68, 68, 68, 68, 68,  
68, 68, 68, 68, 68, 68, 68, 68, 68, 68, 68, 196, 68, 68, 68, 68, 68, 68, 196,  
68, 68, 68, 68, 68, 68, 66, 119, 199, 119, 119, 119, 119, 124, 119, 119, 117, 85, 213,  
93,  
93, 93, 93, 85, 213, 93, 85, 85, 85, 93, 85, 119, 119, 87, 119, 119, 119, 119, 119,  
119,  
119, 87, 119, 87, 87, 85, 87, 87, 117, 119, 121, 121, 233, 158, 153, 226, 46, 153,  
153, 233,  
34, 34, 34, 41, 34, 34, 41, 41, 41, 34, 146, 34, 34, 41, 34, 41, 41, 41, 34, 146,  
41, 34, 34, 34, 34, 34, 38, 34, 98, 34, 102, 34, 98, 98, 98, 230, 238, 34, 238, 34,  
226, 226, 238, 46, 238, 238, 235, 235, 187, 190, 190, 190, 238, 238, 238, 238, 238,  
238, 225, 235,  
17, 187, 187, 235, 187, 27, 187, 187, 187, 187, 187, 187, 187, 187, 187, 187, 177, 27, 27,  
187, 187,  
187, 187, 187, 27, 17, 17, 17, 17, 17, 17, 187, 187, 187, 51, 51, 56, 136, 136, 136,  
128,  
128, 136, 136, 136, 131, 136, 56, 51, 51, 51, 179, 179, 59, 51, 51, 51, 51, 136, 136,  
56,

56, 136, 56, 56, 136, 56, 136, 131, 136, 131, 51, 51, 51, 59, 187, 179, 187, 187, 177,  
177,  
225, 238, 238, 102, 102, 246, 111, 246, 102, 102, 110, 238, 238, 238, 238, 238, 238,  
238, 238, 238,  
226, 238, 38, 226, 226, 102, 34, 34, 34, 38, 34, 34, 34, 34, 98, 34, 38, 34, 38, 34,  
98, 34, 226, 238, 46, 226, 238, 238, 231, 231, 235, 238, 34, 34, 34, 34, 34, 146,  
73,  
66, 68, 68, 68, 68, 68, 68, 68, 68, 68, 68, 68, 68, 68, 68, 68, 68, 68, 68, 68,  
68, 68, 68, 68, 68, 68, 196, 68, 76, 68, 68, 196, 68, 68, 68, 68, 68, 76, 68, 68,  
68, 68, 68, 68, 76, 68, 68, 68, 68, 68, 68, 68, 68, 68, 68, 76, 68, 68, 68,  
68, 68, 68, 196, 68, 68, 68, 167, 119, 119, 119, 119, 119, 117, 119, 119, 117, 85, 93,  
213,  
85, 213, 213, 213, 93, 85, 85, 85, 85, 85, 87, 124, 119, 119, 119, 119, 119, 119, 119,  
119,  
119, 119, 119, 119, 119, 119, 117, 119, 87, 119, 119, 158, 158, 153, 226, 153, 153,  
233, 233, 153,  
41, 146, 41, 34, 34, 146, 146, 34, 34, 146, 41, 41, 41, 34, 34, 34, 34, 34, 34, 34,  
34, 34, 34, 34, 34, 242, 34, 34, 38, 34, 98, 38, 46, 46, 150, 150, 110, 34, 230,  
46, 46, 46, 238, 238, 238, 190, 190, 238, 187, 235, 235, 235, 238, 238, 238, 238,  
238, 238, 30,  
190, 225, 235, 177, 187, 187, 27, 187, 187, 179, 187, 187, 187, 187, 187, 187, 187,  
187, 187, 187,  
187, 187, 187, 187, 187, 187, 17, 17, 17, 177, 17, 27, 187, 187, 51, 51, 56, 136, 136,  
136,  
136, 136, 136, 131, 56, 51, 51, 51, 59, 179, 179, 51, 51, 51, 51, 51, 136, 51, 131,  
136,  
131, 131, 136, 136, 136, 131, 136, 56, 51, 56, 51, 51, 51, 51, 51, 187, 187, 177, 17,  
30,  
30, 238, 102, 102, 111, 255, 102, 110, 102, 238, 238, 238, 238, 238, 238, 30, 238,  
238, 238, 230,  
238, 226, 226, 46, 46, 34, 98, 98, 98, 34, 34, 98, 98, 98, 38, 38, 34, 98, 98, 102,  
46, 238, 158, 233, 238, 238, 238, 238, 238, 190, 126, 34, 41, 36, 148, 68, 68,  
68, 68,

68, 68, 68, 68, 68, 68, 73, 68, 68, 68, 68, 68, 68, 68, 68, 68, 68, 68, 68, 68, 68, 68, 68,  
68, 68, 68, 76, 68, 68, 68, 68, 68, 68, 68, 68, 68, 68, 68, 68, 68, 68, 68, 68, 68, 68,  
68,  
68, 68, 68, 68, 68, 68, 68, 66, 119, 199, 119, 119, 119, 199, 119, 119, 119, 85, 213,  
93,  
213, 85, 93, 93, 85, 213, 119, 167, 119, 119, 199, 117, 119, 119, 119, 119, 119, 119, 119,  
119, 119,  
119, 119, 119, 119, 119, 119, 119, 119, 119, 119, 196, 68, 169, 114, 153, 238, 233,  
146, 146, 233,  
46, 146, 146, 41, 146, 34, 41, 41, 34, 41, 34, 34, 34, 146, 41, 34, 34, 146, 34, 34,  
34, 34, 34, 34, 34, 34, 38, 38, 34, 98, 38, 98, 233, 98, 230, 226, 98, 238, 38,  
226, 230, 226, 238, 238, 238, 238, 235, 235, 238, 187, 235, 190, 187, 190, 190, 238,  
238, 238, 238,  
235, 187, 177, 187, 187, 187, 187, 187, 59, 187, 179, 179, 179, 59, 59, 187, 187,  
187, 187, 187,  
187, 179, 187, 187, 187, 187, 187, 187, 177, 27, 27, 177, 27, 187, 187, 51, 51, 51,  
136, 136,  
136, 136, 131, 56, 51, 51, 51, 179, 179, 51, 51, 51, 51, 51, 56, 136, 56, 136, 136,  
131,  
136, 136, 136, 131, 136, 136, 56, 136, 136, 51, 131, 51, 51, 59, 187, 187, 187, 17,  
17, 238,  
230, 102, 102, 255, 246, 102, 102, 230, 238, 238, 238, 30, 17, 17, 17, 17, 30, 30,  
238, 238,  
46, 46, 46, 226, 34, 98, 34, 34, 34, 98, 98, 34, 34, 38, 34, 98, 98, 102, 38, 34,  
226, 34, 226, 238, 238, 238, 238, 238, 126, 121, 116, 148, 68, 68, 68, 68, 68, 68, 68,  
68,  
68,  
68, 76, 68, 68, 68, 68, 68, 68, 68, 68, 68, 68, 68, 68, 68, 68, 68, 68, 68, 68, 68,  
68, 68, 196, 68, 196, 68, 68, 68, 68, 68, 68, 196, 68, 68, 68, 68, 196, 68, 68, 68,  
68, 76, 68, 68, 68, 68, 68, 68, 170, 119, 124, 92, 87, 87, 119, 119, 119, 85, 93, 85,  
93, 221, 85, 85, 213, 87, 119, 119, 199, 119, 87, 119, 119, 119, 119, 119, 119, 119,  
119, 119,

119, 119, 119, 119, 119, 119, 119, 119, 124, 204, 196, 68, 68, 148, 234, 153, 146,  
233, 233, 158,  
153, 34, 233, 46, 34, 41, 233, 34, 146, 34, 34, 146, 34, 34, 34, 41, 34, 34, 41, 34,  
34, 34, 34, 34, 34, 34, 242, 242, 34, 98, 38, 34, 38, 46, 46, 34, 110, 46, 38, 110,  
158, 38, 46, 38, 46, 238, 238, 190, 190, 187, 235, 187, 235, 187, 235, 235, 235, 30,  
17, 225,  
238, 238, 235, 225, 27, 187, 187, 187, 179, 59, 59, 51, 59, 51, 179, 51, 177, 179,  
187, 187,  
179, 187, 179, 51, 51, 187, 187, 187, 187, 187, 177, 177, 177, 187, 187, 187, 187,  
51, 51, 56,  
136, 51, 51, 51, 51, 51, 179, 179, 51, 51, 51, 51, 56, 136, 131, 131, 136, 131, 136,  
136,  
136, 136, 136, 136, 136, 136, 136, 56, 51, 131, 51, 51, 51, 179, 187, 187, 177, 17,  
30, 238,  
102, 102, 246, 246, 102, 110, 238, 238, 238, 225, 225, 17, 177, 17, 30, 30, 225, 238,  
238, 98,  
230, 226, 226, 38, 102, 38, 38, 38, 34, 34, 34, 98, 98, 98, 38, 38, 38, 38, 226, 238,  
158, 238, 238, 238, 238, 238, 17, 190, 36, 68, 68, 68, 68, 68, 68, 68, 68, 68, 68,  
68, 68, 68, 68, 68, 68, 68, 68, 68, 68, 68, 68, 68, 68, 68, 68, 68, 68, 68,  
68, 68, 68, 68, 68, 68, 68, 68, 68, 68, 76, 68, 68, 68, 68, 76, 68, 68, 68, 68,  
68,  
68, 68, 68, 68, 68, 196, 68, 68, 73, 119, 119, 119, 119, 197, 119, 119, 119, 117, 85,  
221,  
85, 85, 221, 213, 93, 85, 119, 119, 87, 119, 119, 119, 119, 119, 119, 119, 119, 119,  
119, 119,  
119, 119, 119, 119, 119, 119, 119, 199, 199, 196, 68, 68, 68, 68, 73, 78, 169, 158,  
158, 153,  
46, 153, 146, 41, 153, 233, 146, 34, 34, 146, 146, 34, 146, 41, 34, 34, 34, 34, 34, 34,  
34, 34, 34, 34, 34, 47, 34, 34, 242, 34, 98, 98, 226, 98, 226, 110, 38, 226, 238, 46,  
238, 230, 230, 226, 230, 238, 238, 238, 235, 235, 183, 235, 187, 190, 187, 187, 190,  
187, 235, 30,  
17, 235, 235, 187, 190, 187, 187, 187, 187, 179, 179, 179, 179, 51, 51, 179, 183,  
179, 51, 59,

59, 59, 59, 187, 187, 51, 179, 59, 59, 187, 187, 187, 187, 177, 187, 187, 187, 179,  
179, 51,  
51, 131, 51, 51, 51, 59, 51, 51, 51, 51, 51, 131, 131, 131, 136, 136, 131, 136, 136,  
136,  
136, 136, 136, 136, 136, 131, 131, 131, 136, 56, 51, 51, 59, 59, 187, 177, 17, 30,  
238, 102,  
102, 102, 246, 102, 238, 238, 238, 238, 17, 17, 177, 177, 225, 30, 177, 17, 30, 238,  
238, 238,  
226, 110, 38, 98, 34, 34, 34, 34, 38, 38, 34, 38, 34, 38, 98, 98, 230, 98, 238, 46,  
226, 162, 42, 110, 235, 27, 177, 17, 68, 68, 68, 68, 68, 68, 68, 68, 68, 68, 68,  
68,  
68, 68, 68, 68, 68, 76, 68, 68, 196, 68, 68, 68, 68, 76, 68, 68, 68, 68, 68,  
196, 68, 68, 68, 68, 68, 68, 68, 68, 68, 68, 68, 68, 68, 68, 68, 68, 68, 68, 68,  
68, 68, 68, 68, 68, 68, 68, 68, 68, 68, 74, 167, 119, 119, 87, 119, 119, 119, 87, 85, 85,  
213, 213, 85, 93, 85, 87, 119, 119, 119, 119, 119, 119, 119, 119, 119, 119, 119, 119,  
199, 119,  
119, 119, 119, 119, 119, 119, 199, 124, 204, 68, 68, 68, 68, 68, 68, 68, 148, 233,  
233, 238,  
41, 226, 233, 34, 233, 158, 34, 34, 158, 34, 34, 34, 34, 34, 34, 34, 34, 34, 34, 34,  
34, 34, 34, 34, 47, 34, 47, 34, 38, 38, 34, 38, 38, 38, 38, 34, 226, 110, 38, 226,  
226, 230, 230, 238, 226, 226, 238, 238, 238, 238, 235, 187, 190, 179, 187, 187, 187,  
187, 190, 187,  
235, 238, 30, 238, 27, 187, 187, 187, 59, 59, 59, 51, 51, 179, 51, 51, 51, 51, 51, 51,  
51, 51, 179, 51, 51, 179, 51, 179, 51, 51, 179, 187, 187, 187, 187, 187, 187,  
187, 59,  
51, 51, 51, 179, 59, 51, 51, 51, 51, 56, 131, 136, 136, 136, 136, 136, 136, 136, 136,  
136,  
136, 136, 136, 136, 136, 136, 136, 56, 51, 51, 51, 51, 179, 187, 187, 17, 17, 238,  
230, 102,  
102, 102, 102, 238, 238, 225, 17, 177, 187, 177, 27, 235, 187, 187, 238, 30, 238,  
238, 226, 226,  
110, 34, 98, 38, 38, 38, 38, 38, 34, 34, 98, 98, 102, 98, 46, 46, 46, 238, 238, 234,  
74, 154, 66, 161, 177, 187, 27, 17, 244, 68, 68, 68, 68, 68, 68, 68, 68, 68, 68,



68,  
196, 68,  
68, 68, 68, 68, 68, 68, 68, 68, 196, 68, 68, 68, 196, 68, 68, 68, 76, 68, 68, 68, 68,  
68, 68, 68, 68, 76, 68, 68, 68, 68, 73, 170, 119, 199, 119, 119, 119, 119, 119, 119, 85,  
221,  
93, 93, 93, 213, 93, 85, 85, 87, 87, 119, 119, 119, 124, 119, 119, 119, 119, 119, 87,  
119,  
119, 119, 119, 124, 119, 199, 124, 204, 68, 68, 76, 68, 68, 68, 68, 68, 68, 74, 158,  
146,  
226, 146, 146, 233, 158, 153, 146, 46, 41, 34, 41, 34, 34, 146, 34, 34, 34, 34, 34, 34,  
34, 34, 34, 47, 34, 242, 242, 47, 34, 34, 38, 34, 98, 98, 226, 238, 46, 46, 238, 46,  
238, 238, 110, 110, 110, 238, 226, 238, 238, 235, 190, 190, 179, 235, 187, 187, 187,  
187, 187, 187,  
187, 187, 235, 235, 27, 235, 190, 187, 187, 187, 179, 179, 179, 51, 51, 51, 51, 51,  
51, 51,  
51, 51, 51, 51, 179, 59, 51, 51, 51, 51, 51, 51, 179, 187, 187, 187, 187, 187, 187, 51,  
51, 51, 179, 51, 51, 51, 51, 51, 136, 131, 136, 131, 136, 136, 136, 136, 136, 136,  
136, 136,  
8, 136, 136, 136, 136, 131, 131, 131, 131, 131, 51, 59, 187, 187, 17, 17, 238, 102,  
102, 102,  
102, 110, 238, 225, 17, 17, 17, 27, 17, 187, 187, 187, 238, 238, 190, 235, 238, 238,  
238, 110,  
38, 230, 38, 98, 34, 34, 34, 98, 38, 98, 46, 34, 34, 46, 34, 42, 102, 238, 17, 228,  
244, 66, 74, 251, 177, 177, 17, 17, 68, 68, 68, 68, 68, 68, 68, 68, 68, 68, 68, 68,  
68,  
68, 68, 68, 68, 76, 68, 68, 68, 68, 68, 68, 68, 68, 68, 68, 68, 68, 68, 68, 68, 68,  
68, 196,  
68,  
68,  
85, 213, 85, 93, 85, 213, 213, 85, 85, 119, 119, 119, 117, 119, 119, 124, 119, 119,  
197, 119,  
119, 119, 119, 119, 119, 124, 204, 68, 68, 68, 68, 68, 68, 68, 68, 68, 68, 68, 68, 68, 68, 68, 68, 68, 68,  
46, 98, 233, 158, 41, 46, 34, 153, 46, 34, 226, 41, 34, 34, 98, 34, 34, 34, 34, 34,  
98, 242, 34, 34, 34, 47, 47, 34, 98, 34, 98, 98, 46, 38, 46, 34, 230, 238, 46, 238,

46, 110, 110, 238, 238, 238, 110, 238, 238, 238, 238, 235, 235, 187, 123, 187, 179,  
179, 187, 187,  
187, 187, 187, 190, 238, 190, 187, 187, 187, 179, 179, 51, 51, 51, 51, 51, 51, 51, 51,  
131,  
56, 51, 51, 51, 51, 51, 51, 51, 51, 51, 51, 51, 51, 51, 51, 59, 187, 187, 187, 187,  
51, 179, 51, 51, 51, 56, 136, 136, 131, 136, 131, 136, 136, 136, 136, 136, 136, 128,  
8, 0,  
128, 8, 8, 136, 136, 136, 136, 56, 51, 51, 59, 179, 187, 177, 17, 30, 230, 102, 102,  
102,  
238, 225, 225, 17, 17, 187, 187, 187, 187, 27, 17, 27, 187, 187, 235, 238, 238, 238,  
46, 102,  
98, 34, 98, 34, 102, 38, 98, 38, 98, 38, 41, 230, 46, 233, 234, 148, 78, 27, 187, 228,  
74, 68, 244, 225, 17, 17, 17, 17, 244, 68, 68, 68, 68, 68, 68, 68, 68, 68, 68,  
68, 68, 68, 68, 68, 68, 68, 68, 68, 68, 196, 68, 68, 196, 68, 68, 68, 68, 68,  
68, 68, 76, 68, 68, 68, 68, 68, 68, 68, 76, 68, 68, 68, 68, 68, 68, 68,  
68, 68, 76, 68, 68, 196, 68, 68, 68, 76, 68, 68, 68, 68, 68, 68, 68, 68,  
68, 68, 68, 196, 68, 68, 68, 68, 68, 68, 66, 119, 119, 119, 119, 85, 85, 93, 221,  
93, 93, 221, 85, 221, 85, 85, 213, 87, 119, 119, 119, 124, 87, 119, 117, 119, 119, 92,  
119,  
119, 199, 124, 119, 204, 204, 68, 68, 68, 68, 68, 68, 68, 68, 68, 68, 166, 30,  
230, 98, 46, 41, 46, 153, 46, 46, 153, 34, 146, 226, 34, 34, 146, 34, 38, 34, 98, 98,  
34, 38, 34, 98, 34, 47, 34, 98, 34, 98, 38, 38, 34, 98, 98, 110, 38, 34, 238, 46,  
238, 238, 238, 238, 238, 238, 238, 238, 238, 238, 238, 235, 235, 235, 187, 187, 123,  
187, 179, 187,  
187, 187, 187, 187, 187, 187, 235, 235, 187, 187, 187, 179, 179, 51, 51, 51, 51, 211,  
131, 56,  
131, 136, 131, 131, 51, 51, 51, 51, 51, 51, 51, 51, 51, 51, 51, 51, 187, 187, 187,  
51, 51, 51, 51, 56, 131, 131, 131, 136, 136, 136, 136, 136, 136, 136, 136, 0, 8, 128,  
136,  
136, 128, 136, 136, 136, 56, 51, 131, 51, 59, 179, 187, 177, 17, 30, 238, 102, 102,  
102, 238,  
238, 17, 17, 27, 27, 187, 27, 187, 187, 187, 187, 190, 190, 238, 238, 238, 238, 226,  
230, 38,

110, 110, 38, 102, 34, 98, 46, 34, 46, 34, 238, 158, 226, 238, 233, 68, 158, 187, 17,  
26,  
79, 74, 79, 235, 17, 27, 17, 17, 164, 68, 68, 68, 68, 68, 68, 68, 68, 68, 68, 68,  
68, 68, 68, 68, 68, 68, 68, 68, 196, 68, 68, 68, 68, 68, 68, 68, 68, 68, 68, 76, 68,  
68, 68, 68, 68, 68, 68, 68, 68, 196, 68, 68, 68, 68, 76, 68, 68, 76, 68, 68, 68,  
76, 68,  
68, 68, 68, 68, 68, 68, 68, 68, 76, 68, 68, 68, 71, 167, 119, 85, 85, 85, 213, 85,  
213, 85, 85, 213, 85, 213, 213, 85, 87, 119, 119, 119, 117, 119, 119, 124, 119, 119,  
117, 119,  
119, 119, 119, 204, 202, 68, 68, 68, 68, 68, 68, 68, 68, 196, 68, 68, 68, 66, 17, 17,  
17, 110, 98, 102, 41, 226, 41, 41, 226, 233, 226, 146, 46, 146, 105, 98, 41, 98, 34,  
38,  
38, 34, 38, 34, 98, 34, 98, 38, 38, 38, 34, 34, 102, 38, 38, 98, 226, 238, 34, 226,  
238, 110, 238, 238, 238, 238, 238, 238, 238, 238, 238, 238, 235, 235, 235, 187, 179,  
179, 179, 51,  
51, 187, 59, 187, 187, 190, 187, 190, 187, 187, 179, 179, 59, 51, 51, 51, 211, 51,  
216, 131,  
56, 51, 136, 56, 136, 131, 131, 56, 51, 51, 51, 51, 131, 56, 51, 51, 51, 51, 179,  
51, 51, 131, 136, 131, 136, 136, 136, 136, 136, 136, 128, 136, 8, 0, 136, 128, 8,  
0,  
128, 136, 136, 136, 136, 131, 131, 51, 51, 51, 187, 187, 17, 30, 230, 102, 102, 97,  
225, 17,  
17, 17, 27, 187, 187, 187, 187, 187, 187, 187, 187, 187, 235, 235, 190, 190, 238, 238,  
238, 230, 226,  
98, 34, 226, 34, 238, 46, 34, 231, 34, 231, 158, 238, 158, 121, 231, 68, 65, 27, 17,  
100,  
244, 79, 74, 97, 27, 17, 177, 17, 244, 68, 68, 68, 68, 68, 68, 68, 68, 68, 68, 68,  
68,  
68,  
68,  
68, 68, 68, 68, 68, 68, 68, 68, 68, 68, 68, 68, 68, 73, 164, 119, 85, 93, 93, 93, 213,  
93, 213, 213, 93, 213, 93, 85, 87, 119, 119, 119, 119, 124, 119, 119, 117, 119, 119,  
199, 119,

119, 124, 204, 196, 68, 68, 68, 68, 68, 68, 68, 68, 68, 68, 68, 68, 78, 17, 17,  
17, 22, 110, 34, 98, 146, 226, 34, 146, 158, 146, 238, 153, 226, 34, 34, 226, 34, 226,  
41,  
98, 226, 98, 98, 38, 98, 38, 34, 34, 34, 102, 38, 34, 98, 226, 46, 46, 38, 238, 238,  
238, 230, 238, 238, 238, 238, 238, 238, 30, 238, 238, 238, 238, 190, 187, 187, 187,  
187, 59, 179,  
179, 51, 59, 59, 59, 179, 187, 187, 235, 187, 187, 187, 51, 179, 59, 51, 51, 211, 51,  
56,  
131, 136, 56, 131, 131, 56, 131, 131, 131, 136, 51, 131, 56, 131, 131, 51, 51, 51, 51,  
51,  
56, 131, 136, 131, 136, 136, 136, 136, 136, 136, 136, 128, 136, 0, 128, 128, 128, 8,  
128, 136,  
8, 128, 136, 136, 131, 56, 51, 51, 59, 187, 187, 17, 30, 230, 102, 102, 238, 17, 17,  
17,  
17, 187, 187, 187, 187, 187, 59, 187, 187, 187, 27, 187, 190, 235, 238, 238, 238, 46,  
46, 46,  
46, 238, 39, 231, 158, 174, 126, 158, 231, 46, 231, 151, 126, 231, 233, 68, 155, 177,  
17, 26,  
74, 244, 175, 17, 17, 177, 17, 17, 68, 68, 68, 68, 68, 68, 68, 68, 68, 68, 68, 68,  
68, 68, 68, 68, 68, 68, 68, 68, 68, 68, 68, 68, 68, 68, 68, 68, 68, 68, 68,  
68, 68, 68, 68, 68, 68, 68, 68, 68, 68, 68, 68, 68, 68, 68, 68, 68, 68,  
68, 68, 68, 68, 68, 68, 68, 68, 68, 68, 68, 68, 68, 68, 68, 68, 68, 68,  
68, 68, 68, 68, 68, 68, 68, 68, 68, 68, 68, 68, 68, 68, 68, 68, 68, 68,  
68, 68, 68, 68, 68, 68, 68, 68, 68, 68, 68, 68, 68, 68, 68, 68, 68, 68,  
68, 68, 68, 68, 68, 68, 68, 68, 68, 68, 68, 68, 68, 68, 68, 68, 68, 68,  
85, 93, 93, 85, 93, 213, 85, 87, 119, 199, 119, 119, 117, 119, 119, 124, 87, 119, 87,  
199,  
204, 199, 196, 68, 68, 68, 68, 68, 68, 68, 68, 68, 68, 68, 68, 68, 68, 68, 97, 22, 22,  
22, 17, 22, 110, 46, 98, 146, 233, 226, 233, 226, 153, 238, 146, 226, 34, 158, 46,  
150, 238,  
34, 46, 34, 46, 34, 46, 34, 102, 102, 102, 34, 98, 38, 38, 38, 98, 226, 230, 38, 46,  
46, 110, 238, 238, 238, 238, 238, 238, 238, 238, 30, 238, 238, 238, 238, 238, 238, 235, 187,  
187, 179, 59,  
51, 179, 51, 51, 51, 187, 187, 187, 187, 187, 235, 187, 187, 51, 51, 51, 51, 51, 211,  
131,

56, 136, 136, 56, 136, 136, 136, 136, 136, 56, 136, 56, 51, 51, 56, 136, 56, 136, 51,  
51,  
131, 136, 56, 136, 136, 136, 136, 136, 136, 128, 0, 0, 0, 8, 0, 8, 8, 128, 8, 8,  
136, 136, 136, 136, 56, 131, 51, 51, 179, 187, 17, 17, 230, 102, 110, 97, 17, 17, 17,  
187,  
187, 187, 187, 59, 51, 179, 187, 59, 187, 187, 187, 238, 235, 238, 238, 238, 238,  
238, 231, 234,  
234, 39, 226, 238, 126, 151, 231, 119, 151, 119, 126, 126, 231, 231, 121, 68, 33,  
177, 177, 106,  
244, 68, 244, 17, 177, 27, 17, 17, 244, 68, 68, 68, 68, 68, 68, 68, 68, 68, 68,  
68, 68, 68, 68, 68, 68, 68, 68, 68, 68, 68, 68, 68, 68, 68, 68, 68, 68, 68,  
68, 68, 68, 68, 68, 68, 68, 68, 68, 68, 68, 68, 68, 68, 68, 68, 68, 68, 68,  
68, 68, 68, 68, 68, 68, 68, 68, 68, 68, 68, 68, 68, 68, 68, 68, 68, 68, 68,  
68, 68, 68, 68, 68, 68, 68, 68, 68, 68, 68, 68, 68, 68, 68, 146, 231, 221, 93, 93, 213,  
93, 213, 85, 221, 85, 85, 213, 85, 119, 87, 119, 119, 119, 119, 119, 119, 119, 124, 124,  
119, 124,  
124, 68, 68, 68, 68, 68, 68, 68, 68, 68, 68, 68, 68, 68, 68, 68, 66, 17, 97, 97,  
17, 17, 17, 102, 98, 38, 98, 158, 146, 146, 34, 238, 153, 226, 34, 226, 233, 41, 226,  
146,  
110, 34, 238, 34, 238, 34, 230, 146, 34, 34, 102, 102, 98, 102, 38, 38, 38, 38, 226,  
230,  
238, 238, 226, 238, 238, 238, 17, 190, 190, 27, 235, 190, 235, 238, 235, 238, 187,  
187, 187, 179,  
115, 51, 179, 51, 51, 51, 51, 59, 187, 187, 187, 187, 187, 187, 179, 51, 51, 61, 51,  
56,  
136, 51, 136, 136, 131, 131, 136, 136, 131, 136, 131, 136, 136, 136, 131, 51, 131,  
51, 136, 131,  
136, 136, 136, 136, 136, 136, 136, 136, 136, 0, 8, 128, 128, 128, 128, 8, 0, 128, 8, 128,  
136,  
8, 136, 136, 131, 131, 51, 51, 59, 187, 177, 17, 230, 102, 225, 17, 17, 17, 27, 27,  
187,  
187, 179, 179, 179, 187, 59, 59, 187, 187, 187, 235, 187, 238, 126, 126, 126, 126,  
231, 158, 238,

126, 126, 119, 231, 231, 126, 126, 238, 126, 238, 119, 183, 119, 123, 119, 148, 161,  
177, 17, 20,  
175, 175, 70, 17, 17, 177, 17, 17, 68, 68, 68, 68, 68, 68, 68, 68, 68, 68, 68, 68,  
68, 68, 68, 148, 68, 68, 68, 68, 68, 68, 68, 68, 68, 68, 68, 68, 68, 68, 68, 68,  
68,  
68, 68, 68, 68, 68, 68, 148, 68, 68, 148, 68, 68, 68, 68, 68, 68, 68, 68, 68,  
68, 73, 68, 68, 68, 68, 68, 68, 68, 68, 68, 148, 68, 148, 68, 66, 231, 213, 213, 93,  
213, 93, 213, 85, 213, 221, 93, 85, 87, 119, 119, 119, 199, 119, 199, 119, 117, 119,  
204, 196,  
68, 68, 68, 68, 68, 68, 68, 68, 68, 68, 68, 68, 68, 68, 148, 150, 17, 17, 22,  
22, 166, 17, 22, 166, 98, 38, 105, 98, 226, 46, 153, 238, 158, 46, 158, 158, 238, 150,  
238,  
34, 238, 158, 238, 158, 226, 46, 230, 102, 38, 34, 34, 46, 34, 98, 102, 102, 98, 110,  
110,  
46, 46, 238, 238, 238, 225, 238, 235, 238, 238, 30, 235, 238, 235, 238, 190, 238,  
190, 187, 187,  
59, 51, 51, 51, 51, 51, 51, 51, 51, 59, 59, 187, 187, 59, 59, 51, 51, 51, 51, 211,  
56, 136, 56, 56, 136, 136, 136, 136, 136, 136, 136, 136, 136, 136, 131, 136, 136, 56, 136,  
51, 136,  
136, 136, 136, 136, 136, 8, 8, 0, 128, 0, 0, 0, 0, 0, 128, 8, 128, 136, 8,  
136, 136, 136, 56, 51, 51, 187, 187, 177, 17, 102, 110, 17, 30, 17, 17, 187, 187, 187,  
187,  
51, 51, 51, 59, 51, 179, 179, 187, 187, 187, 183, 235, 123, 238, 238, 238, 231, 126,  
119, 126,  
231, 231, 231, 126, 119, 231, 119, 119, 117, 119, 119, 119, 55, 87, 121, 73, 43, 177,  
17, 111,  
164, 244, 175, 17, 17, 17, 17, 31, 79, 66, 73, 73, 68, 148, 73, 68, 148, 73, 68, 148,  
148, 148, 148, 68, 68, 148, 146, 73, 73, 68, 148, 148, 73, 73, 73, 73, 68, 148, 73, 73,  
73, 68, 148, 73, 73, 73, 68, 148, 73, 73, 73, 73, 68, 148, 148, 148, 148, 148, 148,  
148,  
148, 148, 148, 148, 148, 148, 148, 73, 73, 68, 73, 73, 146, 73, 73, 73, 73, 73, 73,  
73, 68, 68, 148, 148, 148, 73, 68, 148, 148, 148, 68, 148, 68, 73, 68, 66, 75, 125,  
213,

93, 85, 93, 93, 93, 85, 85, 213, 85, 119, 119, 119, 119, 119, 119, 199, 204, 196, 68,  
148,  
68, 73, 68, 148, 148, 148, 73, 73, 73, 73, 73, 73, 68, 148, 148, 73, 241, 22, 102, 17,  
97, 97, 97, 17, 22, 102, 98, 38, 146, 158, 41, 238, 153, 226, 226, 233, 226, 146, 226,  
146,  
226, 226, 226, 34, 226, 238, 233, 98, 46, 226, 238, 110, 226, 230, 38, 34, 38, 46, 38,  
38,  
230, 230, 238, 238, 238, 225, 190, 238, 187, 187, 235, 190, 187, 190, 190, 238, 190,  
235, 190, 187,  
179, 187, 51, 51, 51, 51, 61, 51, 51, 51, 179, 51, 187, 187, 187, 187, 51, 51, 51, 61,  
51, 136, 131, 136, 56, 136, 136, 136, 136, 8, 136, 136, 136, 136, 136, 136, 136, 56,  
136, 56,  
136, 136, 136, 128, 128, 128, 0, 128, 8, 8, 8, 8, 8, 8, 8, 128, 8, 8, 136,  
136, 136, 131, 131, 51, 59, 187, 177, 17, 230, 22, 22, 22, 17, 27, 27, 187, 187, 59,  
51,  
179, 179, 59, 51, 59, 59, 187, 179, 187, 123, 190, 126, 190, 119, 119, 119, 238, 119,  
238, 119,  
119, 119, 126, 117, 119, 119, 119, 119, 119, 119, 115, 119, 119, 119, 121, 68, 235,  
27, 17, 175,  
246, 166, 102, 161, 111, 250, 250, 250, 68, 68, 148, 68, 153, 73, 68, 148, 73, 68,  
148, 73,  
73, 73, 73, 36, 148, 73, 68, 68, 148, 153, 68, 73, 68, 148, 68, 68, 148, 73, 68, 148,  
68, 148, 73, 148, 68, 68, 148, 73, 148, 68, 148, 68, 148, 73, 68, 73, 68, 73, 68,  
68, 73, 68, 73, 68, 73, 73, 148, 148, 153, 68, 68, 148, 68, 148, 148, 148, 68, 68, 148,  
68, 148, 153, 68, 68, 73, 68, 153, 68, 73, 73, 73, 68, 153, 68, 148, 148, 68, 250, 171,  
213, 221, 213, 213, 213, 93, 221, 93, 213, 87, 124, 119, 119, 199, 199, 124, 68, 68,  
68, 68,  
73, 68, 73, 68, 68, 73, 148, 68, 68, 148, 68, 68, 148, 73, 68, 148, 17, 17, 17, 97,  
166, 17, 22, 26, 97, 102, 102, 98, 230, 105, 46, 146, 238, 46, 158, 238, 46, 238, 158,  
226,  
238, 158, 46, 238, 238, 158, 238, 238, 226, 46, 34, 34, 38, 38, 102, 110, 102, 38,  
102, 230,

102, 226, 238, 238, 238, 238, 235, 235, 238, 238, 190, 235, 238, 235, 235, 190, 235,  
238, 235, 187,  
187, 51, 179, 51, 51, 51, 51, 51, 61, 51, 51, 179, 51, 179, 187, 187, 59, 179, 51, 51,  
136, 51, 136, 136, 136, 136, 136, 136, 136, 136, 136, 8, 136, 136, 136, 136, 136, 136,  
136, 136, 136,  
136, 136, 8, 8, 0, 8, 0, 0, 0, 0, 0, 0, 0, 0, 8, 0, 8, 136, 136, 136,  
136, 131, 56, 51, 59, 187, 187, 17, 238, 110, 97, 17, 27, 27, 187, 187, 179, 179, 51,  
51,  
51, 51, 51, 59, 179, 59, 59, 187, 123, 183, 123, 183, 119, 235, 235, 231, 119, 183,  
117, 123,  
123, 123, 85, 119, 117, 117, 117, 117, 119, 119, 119, 117, 117, 85, 121, 153, 238,  
230, 22, 17,  
17, 17, 17, 106, 170, 175, 175, 79, 66, 36, 73, 153, 68, 68, 153, 73, 148, 153, 73,  
148,  
148, 148, 68, 73, 73, 148, 146, 153, 68, 68, 153, 148, 153, 73, 153, 153, 73, 148,  
153, 73,  
153, 73, 148, 73, 153, 153, 73, 148, 73, 153, 73, 153, 73, 148, 153, 148, 153, 148,  
68, 153,  
153, 148, 153, 148, 153, 148, 68, 73, 68, 68, 146, 73, 68, 146, 73, 68, 73, 153, 153,  
73,  
153, 73, 68, 153, 153, 148, 153, 68, 153, 148, 68, 148, 153, 68, 153, 73, 73, 41, 73,  
36,  
70, 170, 117, 93, 93, 213, 85, 213, 93, 87, 167, 124, 164, 164, 68, 73, 73, 148, 153,  
153,  
148, 153, 148, 153, 153, 148, 73, 153, 153, 73, 153, 153, 73, 148, 153, 79, 17, 102,  
22, 22,  
17, 102, 17, 102, 17, 22, 102, 38, 146, 158, 34, 46, 146, 233, 226, 158, 238, 158,  
233, 226,  
46, 238, 238, 238, 238, 238, 226, 226, 238, 226, 238, 238, 226, 230, 38, 38, 38, 226,  
98, 98,  
98, 110, 226, 238, 238, 238, 30, 190, 187, 235, 235, 187, 187, 187, 190, 187, 190,  
187, 190, 238,  
187, 187, 59, 51, 51, 51, 61, 221, 51, 51, 211, 51, 51, 59, 51, 59, 187, 59, 51, 51,



51, 131, 131, 131, 136, 136, 136, 136, 8, 8, 136, 8, 136, 8, 136, 136, 136, 136, 136,  
136,  
0, 0, 128, 0, 128, 0, 0, 0, 0, 0, 128, 128, 8, 0, 136, 128, 128, 136, 136,  
136, 56, 51, 51, 187, 177, 17, 230, 238, 17, 17, 17, 187, 187, 187, 51, 59, 51, 51, 51,  
51, 51, 51, 179, 59, 179, 115, 123, 183, 187, 183, 123, 235, 119, 87, 119, 181, 119,  
183, 119,  
87, 87, 119, 87, 119, 87, 87, 119, 119, 119, 87, 87, 87, 119, 121, 68, 74, 42, 250, 17,  
27, 27, 17, 175, 244, 244, 68, 164, 244, 73, 36, 68, 153, 153, 68, 148, 73, 68, 148,  
148,  
73, 66, 146, 36, 36, 73, 68, 68, 153, 153, 68, 73, 68, 148, 68, 68, 148, 73, 68, 148,  
68, 148, 73, 148, 68, 68, 148, 73, 148, 68, 148, 68, 148, 73, 68, 73, 68, 73, 153, 68,  
68, 73, 68, 73, 68, 73, 153, 148, 41, 41, 68, 36, 146, 68, 148, 41, 148, 68, 68, 148,  
68, 148, 153, 68, 68, 73, 68, 153, 68, 73, 153, 73, 68, 153, 68, 148, 148, 68, 148, 73,  
36, 34, 47, 250, 170, 170, 23, 167, 170, 170, 68, 68, 68, 68, 73, 68, 148, 73, 68, 68,  
73, 68, 73, 68, 68, 73, 148, 68, 68, 148, 68, 68, 148, 73, 68, 38, 17, 17, 97, 97,  
97, 17, 97, 17, 22, 17, 102, 102, 102, 98, 46, 34, 226, 46, 238, 238, 158, 226, 238,  
238,  
226, 226, 238, 238, 238, 238, 238, 238, 226, 238, 226, 233, 110, 38, 226, 226, 226,  
46, 102, 110,  
110, 102, 238, 238, 110, 238, 225, 238, 238, 190, 190, 190, 190, 190, 187, 187, 235,  
190, 235, 187,  
235, 235, 187, 187, 51, 51, 51, 61, 221, 221, 51, 211, 51, 51, 51, 51, 59, 179, 187,  
51,  
51, 51, 56, 136, 136, 136, 136, 136, 136, 136, 136, 8, 128, 8, 136, 8, 136, 136, 136, 136,  
136,  
128, 128, 0, 0, 0, 0, 0, 8, 8, 8, 0, 8, 128, 136, 8, 8, 136, 136, 136,  
131, 51, 59, 187, 177, 17, 22, 225, 17, 17, 27, 187, 187, 179, 51, 51, 51, 51, 51, 51,  
51, 51, 51, 51, 189, 115, 55, 181, 115, 119, 123, 119, 87, 123, 119, 181, 119, 117,  
117, 85,  
117, 117, 87, 117, 87, 117, 117, 117, 119, 87, 117, 85, 85, 85, 121, 146, 228, 162,  
79, 17,  
177, 177, 177, 250, 79, 79, 175, 244, 66, 148, 66, 146, 73, 68, 146, 73, 148, 153,  
148, 146,

148, 36, 148, 36, 73, 36, 41, 41, 68, 36, 41, 148, 153, 73, 153, 153, 73, 148, 153, 73,  
153, 73, 148, 153, 66, 153, 73, 148, 148, 153, 73, 153, 73, 148, 153, 148, 153, 148,  
148, 153,  
153, 148, 153, 148, 153, 36, 73, 66, 68, 148, 34, 73, 68, 41, 148, 148, 73, 41, 153,  
73,  
153, 73, 68, 153, 153, 148, 153, 68, 153, 148, 148, 148, 153, 73, 41, 66, 146, 146,  
66, 36,  
66, 68, 68, 73, 146, 146, 66, 34, 34, 41, 66, 148, 153, 153, 148, 153, 66, 148, 41, 41,  
36, 146, 148, 41, 146, 148, 153, 153, 153, 73, 41, 153, 73, 148, 41, 241, 22, 97, 17,  
17,  
22, 22, 22, 166, 17, 22, 22, 102, 38, 158, 105, 98, 46, 34, 158, 46, 238, 238, 158,  
233,  
238, 238, 238, 225, 17, 17, 238, 238, 238, 238, 46, 238, 98, 226, 110, 110, 110, 226,  
98, 98,  
98, 226, 102, 46, 238, 238, 238, 190, 187, 235, 187, 235, 187, 187, 187, 235, 187,  
187, 187, 235,  
190, 183, 187, 179, 179, 51, 51, 51, 51, 61, 221, 211, 221, 51, 51, 51, 51, 59, 51,  
179,  
179, 51, 51, 51, 56, 56, 136, 136, 136, 8, 128, 136, 128, 8, 128, 128, 8, 8, 8, 136,  
0, 0, 0, 0, 0, 0, 0, 0, 0, 0, 0, 0, 0, 8, 0, 128, 136, 136, 136, 131,  
51, 51, 187, 177, 17, 30, 225, 17, 17, 187, 187, 179, 179, 51, 51, 51, 51, 51, 56, 51,  
51, 51, 51, 189, 123, 55, 179, 123, 183, 115, 119, 55, 183, 117, 117, 119, 117, 55,  
87, 87,  
87, 87, 85, 87, 85, 85, 87, 85, 85, 85, 85, 85, 85, 87, 121, 68, 78, 36, 166, 27,  
187, 187, 177, 175, 250, 164, 244, 175, 36, 34, 148, 148, 36, 34, 148, 153, 66, 36,  
41, 73,  
66, 66, 66, 34, 36, 146, 73, 66, 34, 73, 73, 66, 146, 36, 36, 36, 41, 34, 66, 146,  
66, 146, 66, 66, 153, 66, 146, 66, 146, 148, 41, 36, 41, 34, 66, 66, 146, 66, 66, 66,  
66, 66, 146, 66, 148, 146, 146, 73, 146, 66, 36, 41, 34, 148, 34, 66, 41, 66, 66, 36,  
36, 41, 34, 66, 66, 66, 146, 146, 66, 66, 66, 146, 148, 36, 148, 36, 148, 73, 36, 146,  
41, 146, 34, 34, 68, 36, 36, 66, 68, 73, 36, 146, 148, 66, 66, 148, 41, 66, 148, 148,  
146, 73, 41, 73, 73, 66, 66, 66, 66, 148, 148, 36, 41, 34, 66, 241, 17, 17, 97, 97,

97, 17, 17, 97, 22, 17, 17, 102, 102, 98, 46, 46, 34, 238, 233, 233, 226, 238, 238,  
238,  
238, 238, 187, 187, 187, 187, 177, 30, 238, 238, 238, 238, 110, 238, 226, 226, 226,  
110, 110, 102,  
102, 110, 230, 238, 110, 238, 238, 235, 238, 190, 235, 187, 187, 187, 187, 59, 187,  
187, 187, 62,  
187, 190, 190, 190, 187, 179, 51, 51, 211, 211, 51, 221, 61, 221, 211, 211, 51, 51,  
51, 59,  
51, 51, 51, 131, 131, 136, 56, 136, 136, 128, 136, 128, 136, 128, 8, 136, 128, 128,  
128, 128,  
0, 0, 0, 0, 0, 0, 0, 0, 0, 128, 0, 136, 8, 0, 136, 136, 136, 136, 131, 56,  
51, 187, 187, 17, 17, 97, 17, 27, 187, 187, 179, 51, 51, 51, 51, 51, 56, 56, 51, 51,  
56, 61, 189, 123, 61, 115, 119, 55, 115, 119, 55, 119, 117, 55, 119, 85, 87, 117, 117,  
117,  
85, 85, 117, 85, 85, 85, 85, 85, 85, 85, 85, 85, 85, 85, 116, 146, 100, 162, 42, 27,  
27, 177, 177, 250, 68, 255, 175, 68, 66, 73, 34, 66, 146, 148, 34, 34, 41, 66, 66, 41,  
41, 41, 41, 68, 146, 73, 34, 148, 148, 41, 34, 41, 73, 66, 146, 146, 148, 73, 41, 73,  
36, 36, 41, 36, 36, 41, 73, 36, 36, 34, 148, 66, 148, 73, 41, 41, 73, 41, 41, 41,  
148, 41, 73, 36, 34, 73, 73, 34, 66, 153, 66, 66, 73, 66, 73, 41, 66, 153, 36, 146,  
146, 148, 153, 41, 41, 41, 73, 66, 41, 41, 41, 36, 34, 146, 146, 146, 146, 36, 146, 73,  
66, 66, 73, 73, 34, 66, 146, 36, 34, 36, 41, 36, 146, 36, 41, 66, 148, 41, 66, 34,  
73, 36, 148, 34, 36, 41, 36, 36, 41, 41, 41, 41, 36, 73, 34, 17, 22, 17, 17, 17,  
17, 22, 17, 17, 17, 17, 17, 17, 102, 110, 98, 233, 226, 41, 46, 238, 238, 238, 238,  
238,  
235, 187, 17, 17, 17, 27, 187, 17, 30, 238, 238, 238, 238, 46, 238, 46, 110, 230, 98,  
230,  
98, 98, 102, 102, 230, 238, 238, 238, 235, 235, 187, 235, 190, 187, 187, 187, 187,  
187, 187, 187,  
187, 187, 187, 187, 187, 187, 51, 51, 61, 61, 221, 211, 211, 211, 221, 61, 211, 211,  
51, 51,  
51, 179, 51, 51, 51, 56, 136, 136, 136, 136, 128, 136, 0, 136, 128, 0, 8, 0, 128, 8,  
0, 0, 0, 0, 0, 0, 0, 0, 0, 128, 0, 128, 136, 8, 8, 136, 136, 51, 51,

187, 187, 17, 17, 225, 17, 187, 187, 187, 51, 187, 179, 51, 51, 131, 136, 131, 131,  
56, 56,  
51, 59, 91, 213, 119, 55, 53, 115, 87, 55, 87, 85, 87, 117, 85, 119, 85, 85, 85, 87,  
85, 85, 85, 85, 85, 85, 85, 85, 85, 85, 85, 85, 85, 85, 85, 121, 148, 74, 42, 70, 187,  
187, 187, 17, 175, 250, 74, 74, 255, 242, 41, 73, 41, 41, 41, 73, 73, 66, 41, 41, 66,  
66, 66, 146, 242, 36, 34, 73, 34, 146, 148, 36, 146, 34, 41, 36, 36, 34, 41, 66, 34,  
66, 146, 146, 146, 66, 146, 34, 146, 146, 148, 34, 41, 34, 34, 66, 66, 34, 66, 66, 66,  
34, 146, 34, 146, 73, 34, 34, 148, 41, 34, 34, 36, 41, 41, 41, 66, 41, 66, 66, 36,  
36, 34, 66, 66, 66, 66, 34, 36, 148, 36, 36, 146, 148, 36, 36, 36, 36, 34, 41, 34,  
41, 36, 34, 34, 66, 41, 36, 34, 146, 146, 148, 34, 36, 146, 146, 41, 34, 146, 41, 73,  
41, 34, 34, 148, 146, 146, 146, 146, 148, 36, 36, 36, 34, 34, 159, 17, 17, 17, 17, 17,  
17, 17, 17, 17, 17, 17, 26, 17, 110, 102, 102, 110, 46, 238, 226, 34, 238, 158, 238,  
235,  
190, 177, 17, 97, 17, 27, 187, 187, 17, 238, 238, 238, 238, 238, 238, 238, 226, 238,  
238, 102,  
238, 230, 102, 230, 110, 102, 238, 238, 238, 190, 238, 187, 187, 187, 187, 179, 179,  
59, 59, 59,  
59, 187, 187, 187, 235, 183, 187, 179, 51, 51, 51, 221, 221, 221, 141, 131, 141, 51,  
131, 51,  
51, 51, 51, 51, 51, 51, 131, 56, 136, 136, 136, 8, 128, 0, 8, 128, 128, 128, 8, 0,  
0, 0, 0, 0, 0, 0, 8, 0, 0, 8, 136, 8, 8, 136, 136, 136, 51, 51, 59,  
187, 17, 17, 17, 17, 187, 187, 179, 179, 51, 59, 179, 56, 56, 56, 51, 56, 56, 51, 61,  
61, 125, 183, 187, 51, 115, 123, 119, 119, 87, 117, 183, 117, 87, 117, 85, 87, 87, 85,  
85,  
85, 85, 85, 85, 85, 85, 85, 85, 85, 85, 85, 85, 85, 85, 85, 164, 146, 98, 162, 230, 187,  
187, 187, 177, 250, 175, 255, 244, 164, 36, 34, 34, 36, 36, 34, 34, 34, 41, 66, 146,  
41,  
41, 41, 66, 36, 34, 153, 34, 66, 34, 146, 34, 36, 41, 66, 66, 146, 153, 34, 41, 148,  
34, 36, 36, 41, 34, 148, 36, 41, 66, 34, 146, 146, 36, 41, 41, 41, 146, 41, 41, 41,  
66, 148, 36, 41, 34, 146, 148, 34, 41, 66, 36, 34, 34, 146, 34, 34, 146, 34, 41, 146,  
146, 146, 41, 41, 41, 41, 148, 34, 34, 146, 146, 36, 34, 146, 146, 146, 146, 153, 66,  
148,  
41, 34, 146, 148, 41, 34, 66, 153, 36, 41, 34, 148, 34, 41, 36, 41, 66, 36, 41, 34,

36, 41, 66, 146, 34, 148, 41, 41, 34, 34, 146, 146, 148, 41, 47, 17, 17, 17, 17, 17,  
17, 17, 17, 17, 17, 17, 17, 17, 17, 17, 22, 230, 102, 226, 98, 110, 238, 46, 238, 238, 238,  
187, 17, 26, 170, 97, 17, 187, 187, 17, 17, 238, 238, 238, 238, 238, 238, 238, 226,  
238, 238,  
226, 230, 230, 46, 102, 238, 41, 238, 238, 235, 187, 190, 187, 187, 179, 187, 187,  
179, 179, 179,  
179, 179, 187, 187, 59, 187, 187, 187, 51, 51, 211, 61, 61, 61, 136, 216, 136, 141,  
56, 141,  
51, 51, 51, 51, 51, 51, 56, 131, 136, 136, 136, 128, 136, 136, 128, 128, 0, 8, 0, 128,  
0, 0, 0, 0, 0, 0, 0, 8, 8, 0, 0, 128, 136, 136, 136, 51, 51, 59, 177,  
17, 17, 17, 27, 187, 187, 59, 51, 51, 51, 51, 221, 131, 131, 131, 136, 131, 51, 141,  
51,  
215, 55, 211, 87, 87, 215, 87, 215, 53, 115, 87, 85, 87, 85, 87, 87, 85, 85, 85, 85,  
85, 85, 85, 85, 85, 85, 85, 85, 85, 85, 85, 85, 85, 85, 85, 169, 146, 164, 244, 166, 27,  
187, 187, 177, 175, 250, 74, 175, 47, 34, 36, 41, 34, 34, 146, 146, 41, 34, 34, 36, 34,  
34, 34, 34, 34, 34, 34, 41, 34, 66, 34, 66, 146, 34, 34, 34, 34, 34, 66, 34, 34,  
41, 34, 146, 34, 146, 34, 34, 146, 34, 66, 41, 36, 34, 146, 34, 34, 66, 34, 34, 146,  
34, 34, 34, 34, 41, 36, 34, 41, 34, 34, 34, 36, 41, 36, 36, 41, 36, 41, 34, 34,  
41, 36, 34, 34, 34, 34, 41, 41, 34, 34, 146, 34, 34, 34, 34, 34, 34, 34, 34,  
34, 41, 36, 34, 34, 146, 34, 34, 34, 36, 34, 34, 41, 36, 34, 34, 34, 146, 34, 41,  
34, 34, 34, 34, 66, 34, 34, 66, 36, 41, 34, 34, 34, 34, 33, 17, 17, 17, 17, 17,  
17, 17, 17, 17, 17, 17, 17, 22, 17, 17, 17, 230, 238, 110, 230, 102, 238, 238, 238,  
187,  
187, 177, 170, 102, 97, 17, 187, 59, 177, 17, 235, 225, 190, 190, 238, 238, 238, 238,  
238, 226,  
238, 238, 110, 230, 230, 102, 226, 74, 238, 238, 238, 235, 187, 235, 187, 179, 55,  
59, 51, 59,  
51, 59, 51, 59, 187, 187, 187, 187, 187, 51, 51, 211, 221, 221, 221, 136, 216, 136,  
136, 131,  
136, 136, 51, 51, 51, 51, 51, 56, 56, 136, 136, 136, 128, 128, 128, 8, 136, 0, 136, 0,  
0, 0, 0, 0, 0, 0, 128, 0, 0, 136, 136, 136, 136, 136, 51, 51, 59, 177, 17,  
17, 17, 27, 187, 179, 51, 51, 51, 51, 56, 56, 51, 56, 136, 136, 56, 56, 51, 51, 215,

51, 211, 119, 51, 115, 119, 183, 117, 119, 85, 117, 119, 85, 87, 85, 85, 85, 85, 85,  
85,  
85, 85, 85, 85, 85, 85, 85, 85, 85, 85, 85, 85, 85, 85, 119, 169, 148, 246, 166, 250, 187,  
187, 187, 177, 250, 244, 111, 74, 244, 242, 34, 34, 41, 34, 34, 36, 34, 34, 41, 34, 34,  
34, 36, 34, 242, 66, 36, 34, 34, 34, 146, 34, 34, 34, 41, 34, 146, 66, 34, 34, 34,  
146, 34, 34, 34, 34, 34, 146, 34, 34, 34, 34, 34, 34, 34, 66, 34, 34, 36, 34, 34,  
41, 34, 34, 36, 34, 34, 34, 34, 36, 47, 34, 34, 34, 34, 34, 34, 34, 36, 34,  
34, 34, 34, 146, 36, 34, 34, 146, 34, 34, 66, 34, 34, 146, 66, 41, 36, 34, 34, 146,  
36, 34, 34, 34, 34, 36, 34, 146, 34, 34, 34, 41, 34, 34, 34, 34, 41, 34, 36, 34,  
34, 36, 34, 146, 34, 34, 34, 34, 34, 36, 34, 34, 34, 33, 17, 27, 27, 27, 27,  
27, 27, 27, 27, 27, 17, 17, 26, 97, 17, 17, 17, 30, 238, 238, 238, 238, 225, 27,  
187, 17, 106, 170, 97, 17, 187, 179, 177, 17, 30, 30, 238, 238, 190, 238, 238, 238,  
238, 238,  
238, 238, 238, 110, 110, 238, 46, 238, 238, 225, 187, 190, 235, 187, 187, 187, 179,  
179, 59, 51,  
59, 51, 51, 179, 51, 179, 187, 187, 187, 187, 51, 51, 51, 221, 216, 136, 141, 216,  
136, 136,  
136, 131, 136, 131, 51, 51, 51, 51, 51, 56, 56, 136, 136, 136, 136, 128, 0, 128, 0,  
128,  
0, 0, 0, 0, 0, 0, 0, 0, 128, 128, 0, 128, 136, 136, 131, 51, 59, 187, 17, 17,  
27, 187, 187, 59, 51, 51, 51, 56, 136, 131, 136, 136, 136, 56, 56, 131, 131, 61, 61,  
189,  
181, 119, 51, 119, 55, 87, 85, 115, 85, 119, 85, 85, 87, 85, 85, 117, 85, 85, 85, 85,  
85, 85, 85, 85, 85, 85, 85, 85, 87, 87, 119, 119, 119, 119, 169, 47, 164, 100, 166,  
187,  
187, 187, 177, 175, 175, 170, 255, 70, 34, 242, 34, 34, 34, 34, 47, 34, 34, 34, 34, 34,  
34, 34, 34, 242, 34, 34, 47, 34, 34, 34, 34, 34, 34, 34, 34, 34, 34, 34, 34, 34,  
34, 34, 34, 36, 242, 34, 34, 34, 34, 34, 34, 34, 34, 34, 34, 34, 34, 34, 34, 34,  
34, 34, 34, 34, 34, 34, 34, 47, 34, 34, 34, 34, 34, 47, 34, 34, 34, 34, 242,  
34, 34, 34, 34, 34, 242, 34, 34, 36, 34, 34, 242, 34, 34, 34, 34, 47, 242, 34, 34,  
34, 34, 34, 242, 34, 34, 34, 34, 34, 34, 34, 34, 34, 34, 66, 47, 34, 34, 34, 34, 34,  
34, 34, 34, 34, 34, 34, 34, 34, 34, 34, 34, 34, 34, 34, 34, 241, 17, 177, 177, 187, 177,  
187, 177, 187, 177, 177, 177, 177, 17, 17, 17, 17, 17, 17, 17, 17, 17, 17, 17, 17, 27, 27,

187, 17, 102, 166, 17, 17, 187, 59, 187, 17, 17, 27, 187, 187, 235, 187, 190, 190,  
238, 238,  
238, 238, 238, 238, 238, 110, 238, 46, 238, 238, 238, 235, 190, 187, 187, 179, 179,  
59, 51, 51,  
51, 51, 51, 51, 59, 59, 59, 179, 179, 187, 187, 179, 51, 51, 61, 136, 136, 141, 8, 136,  
136, 136, 136, 136, 136, 131, 56, 51, 131, 131, 136, 136, 136, 136, 128, 8, 136, 8,  
128, 8,  
0, 0, 0, 0, 0, 0, 0, 128, 8, 8, 136, 136, 136, 131, 51, 59, 187, 17, 27, 27,  
187, 187, 51, 51, 51, 51, 131, 131, 131, 136, 136, 136, 136, 136, 136, 56, 56, 211,  
215, 215,  
219, 51, 119, 215, 87, 181, 183, 87, 117, 85, 117, 117, 85, 87, 85, 85, 85, 85, 85, 85,  
85, 85, 85, 85, 85, 85, 117, 119, 119, 119, 119, 124, 124, 124, 66, 159, 38, 166, 110,  
27,  
187, 187, 177, 106, 250, 255, 175, 175, 255, 244, 242, 34, 34, 34, 255, 242, 34, 34,  
34, 34,  
47, 242, 47, 34, 34, 47, 255, 34, 34, 34, 34, 34, 255, 34, 34, 34, 34, 47, 255, 34,  
34, 34, 34, 47, 255, 34, 34, 34, 34, 47, 255, 34, 34, 34, 34, 255, 242, 34, 34, 34,  
34, 255, 242, 34, 34, 34, 34, 255, 242, 34, 255, 34, 34, 255, 34, 34, 34, 34, 47, 255,  
34, 34, 34, 34, 47, 255, 34, 34, 47, 34, 47, 255, 34, 34, 34, 34, 47, 242, 34, 34,  
34, 34, 47, 242, 34, 34, 34, 34, 255, 242, 34, 34, 34, 242, 255, 34, 34, 34, 34, 34,  
255, 34, 34, 34, 34, 34, 255, 34, 34, 34, 34, 47, 255, 34, 241, 187, 187, 187, 187,  
187,  
187, 187, 187, 187, 187, 187, 177, 17, 17, 17, 17, 17, 17, 17, 17, 27, 27, 187, 187,  
187,  
187, 17, 17, 97, 17, 17, 179, 51, 187, 17, 17, 225, 238, 238, 190, 238, 235, 235, 190,  
238,  
238, 238, 238, 238, 238, 238, 238, 238, 238, 238, 235, 238, 187, 235, 187, 187, 187,  
51, 51, 51,  
51, 51, 51, 51, 51, 51, 51, 51, 187, 59, 187, 59, 51, 61, 51, 61, 136, 216, 141, 0,  
128, 136, 136, 136, 131, 136, 131, 131, 51, 51, 51, 131, 136, 136, 136, 136, 0, 128,  
8, 0,  
0, 0, 0, 0, 0, 0, 128, 8, 8, 128, 61, 56, 131, 51, 59, 187, 17, 177, 187, 187,

179, 51, 51, 51, 56, 131, 136, 136, 136, 136, 136, 56, 131, 131, 131, 131, 51, 51, 51,  
189,  
119, 117, 53, 183, 181, 119, 87, 53, 87, 85, 85, 85, 117, 85, 85, 85, 85, 85, 85, 85,  
85, 85, 85, 85, 87, 87, 87, 119, 124, 124, 204, 199, 204, 199, 66, 47, 174, 110, 161,  
27,  
27, 27, 17, 22, 166, 106, 246, 111, 255, 255, 34, 34, 34, 34, 47, 34, 34, 34, 34, 47,  
255, 34, 47, 242, 34, 34, 242, 242, 34, 34, 34, 47, 255, 34, 34, 34, 47, 47, 242, 34,  
34, 34, 34, 47, 242, 34, 34, 34, 34, 242, 242, 34, 34, 34, 34, 47, 47, 34, 34, 34,  
34, 47, 242, 34, 34, 34, 47, 47, 34, 34, 242, 34, 34, 242, 242, 47, 34, 34, 34, 242,  
34, 34, 34, 34, 47, 34, 34, 34, 34, 34, 242, 242, 34, 34, 242, 47, 47, 47, 34, 34,  
34, 242, 255, 34, 34, 34, 47, 34, 47, 34, 34, 34, 34, 34, 255, 242, 47, 34, 34, 47,  
255, 242, 242, 47, 34, 47, 47, 34, 34, 34, 34, 34, 255, 242, 241, 177, 187, 187, 187,  
187,  
187, 187, 187, 187, 187, 187, 187, 17, 17, 27, 17, 27, 27, 27, 187, 177, 177, 17, 177,  
187,  
187, 17, 17, 17, 17, 27, 187, 59, 49, 17, 17, 17, 187, 187, 235, 187, 126, 190, 235,  
187,  
187, 238, 238, 238, 238, 238, 238, 238, 238, 238, 238, 190, 238, 187, 235, 187, 187,  
179, 183, 51,  
51, 51, 51, 51, 51, 51, 51, 51, 51, 51, 51, 59, 179, 187, 51, 61, 56, 56, 136, 216, 136,  
136, 128, 128, 136, 136, 136, 136, 56, 56, 51, 131, 56, 56, 136, 136, 136, 136, 8,  
128, 128,  
0, 0, 0, 0, 0, 128, 8, 0, 128, 136, 59, 211, 51, 51, 187, 17, 177, 187, 187, 51,  
51, 51, 51, 56, 131, 136, 136, 136, 136, 136, 136, 136, 136, 136, 56, 56, 61, 55, 55,  
215,  
51, 59, 119, 117, 119, 53, 117, 87, 85, 117, 87, 85, 85, 117, 85, 85, 85, 85, 85, 85,  
85, 85, 85, 85, 85, 119, 124, 124, 199, 204, 124, 204, 204, 204, 162, 38, 27, 187,  
187, 26,  
22, 22, 161, 17, 27, 177, 177, 17, 255, 242, 255, 47, 242, 255, 242, 255, 255, 47,  
242, 242,  
34, 255, 242, 255, 47, 242, 255, 47, 242, 255, 255, 34, 242, 255, 242, 255, 34, 242,  
47, 242,



255, 242, 255, 47, 47, 242, 255, 47, 47, 47, 47, 242, 242, 255, 47, 242, 242, 255,  
242, 255,  
47, 242, 47, 242, 255, 47, 34, 242, 255, 47, 255, 47, 255, 47, 47, 34, 242, 242, 255,  
47,  
255, 47, 242, 242, 242, 255, 47, 47, 242, 255, 47, 47, 242, 242, 47, 34, 242, 242,  
242, 242,  
242, 47, 34, 242, 255, 47, 47, 47, 242, 255, 242, 255, 47, 255, 34, 47, 34, 255, 47,  
242,  
34, 47, 47, 34, 242, 242, 242, 255, 242, 255, 47, 255, 34, 255, 251, 187, 187, 187,  
187, 187,  
187, 187, 187, 187, 187, 187, 187, 187, 187, 187, 187, 187, 187, 187, 187, 187, 171, 187, 187,  
187, 187, 187,  
187, 187, 17, 17, 17, 187, 51, 51, 187, 177, 17, 225, 238, 190, 187, 235, 187, 235,  
190, 190,  
238, 187, 235, 235, 235, 238, 238, 238, 238, 238, 30, 235, 235, 235, 190, 187, 187,  
59, 51, 51,  
51, 51, 51, 51, 51, 51, 51, 51, 51, 51, 51, 51, 51, 179, 179, 51, 56, 56, 136, 216,  
128, 128, 216, 8, 136, 136, 136, 136, 136, 136, 56, 51, 51, 56, 136, 136, 136, 136, 8,  
8,  
0, 0, 0, 0, 0, 8, 128, 136, 136, 136, 61, 179, 59, 187, 177, 187, 187, 187, 51, 51,  
51, 51, 136, 136, 136, 136, 136, 136, 136, 136, 136, 136, 56, 131, 131, 51, 179,  
51, 123,  
55, 119, 55, 55, 53, 119, 83, 117, 117, 87, 85, 85, 85, 85, 85, 85, 85, 85, 85, 85,  
85, 85, 85, 87, 119, 119, 119, 199, 124, 199, 204, 204, 204, 204, 66, 246, 187, 187,  
187, 102,  
250, 166, 97, 187, 187, 187, 187, 177, 255, 255, 242, 255, 47, 242, 242, 242, 242,  
242, 255, 255,  
255, 242, 255, 255, 47, 47, 47, 242, 255, 242, 47, 255, 242, 242, 255, 47, 255, 255,  
242, 255,  
34, 255, 47, 242, 242, 255, 47, 255, 255, 242, 242, 255, 255, 47, 242, 255, 47, 242,  
255, 242,  
255, 47, 242, 255, 47, 255, 255, 255, 47, 242, 255, 34, 34, 34, 242, 242, 47, 47, 34,  
34,

34, 242, 47, 34, 47, 34, 242, 242, 47, 34, 34, 34, 47, 47, 34, 242, 34, 34, 47, 34,  
242, 242, 47, 34, 34, 47, 34, 255, 47, 242, 255, 47, 242, 242, 255, 255, 255, 47, 242,  
255,  
255, 255, 47, 255, 47, 255, 47, 242, 255, 47, 242, 242, 255, 255, 251, 187, 179, 179,  
179, 179,  
179, 187, 59, 179, 179, 179, 187, 187, 59, 187, 187, 187, 187, 187, 187, 187, 177,  
177, 17, 187,  
187, 187, 187, 27, 187, 179, 179, 51, 187, 17, 17, 27, 27, 123, 235, 190, 187, 187,  
123, 235,  
187, 190, 187, 238, 190, 235, 190, 30, 30, 238, 225, 238, 30, 190, 235, 187, 187,  
187, 59, 59,  
51, 51, 51, 51, 51, 61, 61, 61, 211, 51, 51, 51, 59, 59, 59, 51, 51, 131, 136, 136,  
136, 136, 0, 128, 128, 8, 136, 136, 136, 136, 131, 131, 131, 131, 56, 136, 136, 136,  
136, 8,  
0, 0, 0, 0, 8, 0, 8, 136, 136, 131, 51, 59, 187, 177, 187, 187, 179, 51, 51, 51,  
56, 136, 136, 136, 136, 136, 136, 136, 136, 136, 136, 136, 56, 131, 51, 51, 51, 215,  
55, 55,  
115, 183, 115, 115, 119, 83, 117, 87, 87, 85, 85, 87, 85, 85, 85, 85, 85, 85, 85, 85,  
85, 85, 85, 85, 87, 119, 124, 124, 204, 204, 204, 204, 204, 204, 79, 246, 187, 187,  
187, 26,  
175, 250, 161, 187, 187, 187, 59, 177, 255, 255, 255, 255, 255, 255, 255, 255, 255,  
255, 242, 255,  
47, 255, 255, 255, 255, 255, 255, 47, 242, 255, 255, 47, 255, 255, 47, 255, 47, 242,  
255, 255,  
255, 242, 255, 255, 255, 242, 255, 47, 47, 255, 255, 242, 242, 255, 255, 242, 255,  
255, 242, 255,  
255, 255, 255, 242, 255, 47, 242, 255, 255, 47, 255, 255, 255, 255, 47, 47, 242, 242,  
255, 47,  
242, 47, 34, 255, 34, 242, 34, 47, 34, 47, 47, 47, 34, 34, 242, 34, 242, 242, 242, 34,  
34, 34, 34, 34, 47, 34, 255, 255, 255, 255, 242, 255, 255, 255, 255, 47, 242, 255,  
255, 47,  
242, 255, 255, 47, 255, 242, 255, 255, 47, 255, 47, 255, 255, 255, 241, 187, 59, 59,  
59, 59,

59, 51, 179, 59, 59, 59, 51, 51, 179, 51, 51, 59, 59, 187, 177, 17, 17, 17, 17, 27,  
179, 187, 187, 187, 187, 59, 51, 59, 59, 187, 17, 30, 30, 30, 187, 187, 235, 235, 187,  
187,  
183, 187, 235, 187, 235, 190, 235, 190, 190, 190, 30, 190, 235, 235, 187, 235, 235,  
187, 179, 179,  
51, 51, 51, 51, 61, 61, 61, 51, 61, 211, 221, 51, 51, 51, 51, 51, 51, 51, 51, 136,  
136, 128, 136, 8, 8, 128, 128, 136, 136, 136, 136, 136, 136, 56, 51, 51, 136, 136,  
136, 136,  
0, 0, 0, 0, 128, 136, 136, 136, 131, 51, 59, 187, 177, 187, 187, 51, 51, 51, 51, 131,  
136, 136, 136, 136, 136, 136, 128, 136, 136, 136, 136, 136, 131, 56, 51, 51, 59, 179,  
187, 179,  
183, 115, 119, 119, 91, 117, 87, 117, 85, 117, 117, 85, 85, 85, 85, 85, 85, 85, 85, 85,  
85, 85, 85, 85, 117, 119, 119, 119, 119, 124, 204, 204, 204, 204, 162, 241, 187, 187,  
59, 31,  
106, 111, 97, 187, 51, 59, 187, 177, 102, 255, 255, 255, 255, 255, 255, 255, 255,  
255, 255, 255,  
255, 255, 255, 255, 255, 255, 255, 255, 255, 255, 255, 255, 255, 255, 255, 255,  
255, 255, 255,  
255, 255, 255, 255, 255, 255, 255, 255, 255, 255, 255, 255, 255, 255, 255,  
255, 255, 255,  
255, 255, 255, 255, 255, 255, 255, 255, 255, 255, 255, 255, 255, 255, 255,  
255, 255, 255,  
255, 255, 255, 47, 255, 47, 255, 242, 242, 242, 242, 242, 47, 34, 47, 34, 34, 34, 34,  
34,  
34, 34, 34, 34, 34, 47, 111, 255, 255, 255, 255, 255, 255, 255, 255, 255, 255,  
255, 255,  
255, 255, 255, 255, 255, 255, 255, 255, 255, 255, 255, 255, 255, 107, 179, 51,  
179, 51, 179,  
51, 179, 59, 51, 51, 179, 51, 51, 51, 51, 187, 187, 27, 17, 17, 17, 22, 22, 17, 17,  
179, 59, 59, 179, 179, 51, 51, 179, 187, 177, 177, 27, 17, 187, 238, 187, 187, 187,  
187, 187,  
187, 187, 187, 190, 62, 187, 190, 235, 235, 238, 30, 235, 30, 238, 238, 187, 187,  
187, 187, 59,

51, 51, 51, 51, 61, 61, 61, 221, 211, 211, 51, 211, 211, 51, 51, 51, 59, 51, 51, 131,  
136, 136, 136, 128, 128, 8, 8, 0, 136, 8, 136, 136, 136, 136, 131, 136, 51, 136, 136,  
136,  
0, 0, 0, 128, 8, 8, 136, 136, 51, 59, 187, 187, 187, 179, 51, 51, 51, 56, 56, 136,  
136, 136, 136, 128, 128, 136, 8, 8, 136, 136, 131, 136, 51, 51, 51, 59, 55, 183,  
183,  
123, 183, 187, 83, 117, 91, 117, 83, 117, 53, 85, 85, 87, 85, 85, 85, 85, 85, 85,  
85, 85, 85, 85, 85, 87, 119, 124, 124, 199, 199, 199, 204, 204, 175, 241, 187, 51,  
187, 26,  
175, 166, 161, 187, 187, 179, 179, 177, 102, 255, 255, 255, 255, 255, 255, 255, 255,  
255, 255, 255,  
255, 255, 255, 255, 255, 255, 255, 255, 255, 255, 255, 255, 255, 255, 255, 255,  
255, 255, 255,  
255, 255, 255, 255, 255, 255, 255, 255, 255, 255, 255, 255, 255, 255, 255, 255,  
255, 255, 255,  
255, 255, 255, 255, 255, 255, 255, 255, 255, 255, 255, 255, 255, 255, 255, 47,  
47, 34, 242,  
47, 34, 34, 242, 34, 242, 34, 34, 34, 34, 34, 34, 34, 34, 34, 34, 34, 34, 34, 34,  
34, 34, 34, 34, 34, 38, 22, 255, 255, 255, 255, 255, 255, 255, 255, 255, 255,  
255, 255,  
255, 255, 255, 255, 255, 255, 255, 255, 255, 255, 255, 255, 255, 255, 241, 59, 51,  
51, 51, 51,  
51, 51, 51, 51, 51, 51, 51, 51, 211, 51, 187, 187, 177, 17, 17, 238, 230, 110, 97, 97, 17,  
187, 51, 51, 51, 51, 51, 51, 51, 51, 187, 187, 187, 17, 113, 238, 187, 235, 235, 123, 183,  
187,  
187, 187, 187, 187, 187, 187, 235, 187, 187, 187, 187, 238, 235, 177, 187, 238, 190,  
187, 179, 179,  
59, 51, 51, 51, 61, 61, 211, 61, 61, 221, 221, 61, 61, 221, 51, 51, 51, 51, 51, 51,  
131, 136, 136, 136, 136, 128, 0, 128, 0, 128, 128, 136, 136, 136, 136, 131, 136, 51,  
136, 136,  
0, 0, 128, 8, 136, 136, 131, 51, 59, 187, 187, 187, 179, 51, 51, 51, 131, 136, 136,  
136,

136, 136, 128, 128, 8, 8, 8, 136, 136, 136, 136, 136, 51, 51, 51, 187, 179, 187, 123,  
123,  
183, 123, 119, 183, 55, 117, 83, 117, 87, 85, 117, 85, 85, 85, 85, 85, 85, 85, 85,  
85, 85, 85, 85, 85, 85, 85, 117, 117, 119, 119, 124, 119, 124, 169, 246, 187, 187,  
187, 31,  
106, 102, 225, 179, 51, 179, 59, 177, 111, 255, 255, 255, 255, 255, 255, 255, 255,  
255, 47, 255,  
255, 255, 255, 255, 255, 255, 255, 255, 255, 255, 255, 255, 255, 255, 255, 255,  
255, 255, 255,  
255, 255, 255, 255, 255, 255, 255, 255, 255, 255, 255, 255, 255, 255, 255, 255,  
255, 255, 255,  
255, 255, 255, 255, 255, 255, 255, 255, 255, 255, 255, 255, 242, 242, 47, 34, 242,  
242, 255, 47,  
34, 242, 242, 34, 242, 34, 34, 34, 34, 34, 34, 34, 34, 34, 34, 34, 34, 34, 34, 34,  
34, 34, 146, 34, 34, 107, 31, 255, 255, 255, 255, 255, 255, 255, 255, 255, 255,  
255, 255,  
255, 255, 255, 255, 255, 255, 255, 255, 255, 255, 255, 255, 255, 241, 179, 51,  
51, 51, 51,  
51, 51, 51, 51, 51, 51, 51, 51, 51, 59, 187, 17, 17, 30, 110, 230, 238, 230, 230, 230, 225,  
27, 179, 51, 51, 51, 51, 59, 59, 59, 187, 187, 187, 17, 187, 238, 187, 187, 187, 187,  
187,  
115, 187, 123, 179, 123, 187, 187, 190, 190, 190, 190, 187, 190, 225, 30, 187, 187,  
187, 187, 187,  
179, 51, 51, 51, 61, 51, 221, 221, 221, 211, 221, 211, 221, 61, 61, 61, 51, 51, 51, 51,  
51, 56, 56, 128, 128, 8, 136, 8, 128, 8, 8, 0, 136, 136, 136, 136, 131, 136, 51, 56,  
0, 128, 8, 136, 136, 131, 51, 59, 187, 187, 179, 51, 51, 51, 51, 136, 136, 136, 136,  
136,  
136, 8, 8, 136, 128, 136, 128, 128, 136, 136, 131, 131, 56, 51, 51, 59, 187, 187, 187,  
177,  
123, 183, 183, 117, 115, 91, 119, 87, 117, 117, 85, 85, 85, 85, 85, 85, 85, 85, 85, 85,  
85, 85, 85, 85, 85, 85, 85, 85, 117, 119, 87, 117, 119, 119, 162, 246, 187, 51, 59, 26,  
166, 170, 97, 59, 179, 59, 187, 177, 102, 255, 255, 255, 255, 255, 255, 47, 242, 255,  
255, 255,

47, 255, 47, 255, 242, 255, 47, 255, 47, 255, 47, 255, 47, 242, 255, 255, 47, 255,  
242, 255,  
242, 255, 47, 242, 255, 47, 255, 47, 255, 242, 255, 47, 255, 242, 255, 242, 255, 255,  
255, 255,  
255, 242, 255, 242, 255, 242, 255, 47, 242, 242, 242, 242, 47, 47, 34, 242, 34, 47,  
34, 34,  
34, 34, 34, 34, 34, 34, 34, 34, 34, 34, 34, 34, 34, 34, 34, 34, 41, 34, 146, 146, 153,  
153, 146, 34, 146, 241, 187, 31, 255, 255, 255, 255, 255, 255, 255, 255, 242, 255,  
255, 47, 255,  
47, 255, 242, 255, 242, 255, 242, 255, 255, 47, 255, 242, 255, 255, 241, 179, 51, 51,  
51, 51,  
51, 51, 51, 51, 51, 51, 51, 59, 177, 177, 17, 238, 110, 230, 238, 102, 110, 110, 110,  
238,  
17, 187, 59, 51, 59, 59, 59, 179, 187, 59, 187, 187, 187, 225, 187, 238, 187, 235,  
187, 59,  
59, 179, 51, 187, 59, 187, 59, 187, 179, 227, 235, 190, 187, 190, 187, 238, 235, 235,  
235, 187,  
59, 51, 51, 51, 61, 221, 61, 61, 61, 61, 211, 141, 131, 221, 211, 131, 131, 211, 51,  
51,  
51, 51, 131, 136, 136, 136, 0, 0, 8, 0, 128, 136, 8, 0, 136, 136, 136, 136, 136, 131,  
8, 8, 136, 136, 136, 51, 51, 187, 179, 179, 51, 51, 51, 56, 136, 136, 136, 136, 136,  
136,  
8, 128, 128, 0, 8, 8, 8, 136, 136, 136, 131, 56, 51, 51, 187, 179, 187, 17, 234, 23,  
17, 123, 115, 59, 117, 181, 85, 181, 53, 53, 117, 85, 85, 85, 85, 85, 85, 85, 85,  
85, 85, 85, 85, 85, 85, 85, 85, 85, 85, 85, 85, 85, 85, 87, 87, 169, 241, 179, 187, 187, 22,  
102, 102, 161, 179, 59, 51, 51, 177, 102, 255, 255, 255, 255, 255, 255, 255, 255,  
255, 255, 255,  
255, 255, 255, 255, 255, 255, 255, 255, 255, 255, 255, 255, 255, 255, 255, 255, 255,  
255, 255, 255,  
255, 255, 255, 255, 255, 255, 255, 255, 255, 255, 255, 255, 255, 255, 255, 255,  
255, 255, 255,  
255, 255, 255, 255, 255, 255, 255, 255, 255, 255, 34, 47, 34, 34, 34, 34, 34, 34, 34, 34,  
34,



136, 56, 131, 136, 51, 131, 51, 177, 17, 17, 238, 238, 238, 110, 238, 110, 110, 110,  
102, 238,  
238, 17, 17, 27, 27, 187, 27, 177, 187, 59, 187, 187, 187, 187, 190, 190, 187, 235,  
123, 187,  
123, 59, 179, 51, 179, 179, 59, 59, 59, 59, 187, 187, 187, 187, 190, 190, 187, 190,  
190, 187,  
187, 51, 179, 51, 51, 61, 61, 61, 221, 216, 136, 136, 136, 136, 136, 136, 136, 136,  
131, 136,  
56, 51, 51, 51, 131, 136, 136, 128, 128, 8, 0, 128, 8, 0, 136, 8, 8, 136, 136, 136,  
8, 136, 131, 51, 59, 179, 179, 59, 51, 51, 56, 136, 56, 136, 136, 136, 128, 128, 128,  
136,  
8, 0, 128, 0, 8, 136, 136, 136, 131, 136, 51, 51, 51, 187, 187, 177, 17, 30, 17, 23,  
187, 113, 123, 187, 119, 91, 91, 115, 83, 83, 85, 85, 53, 85, 85, 85, 85, 85, 85,  
85, 85, 85, 85, 85, 85, 85, 85, 85, 85, 85, 85, 85, 85, 85, 85, 121, 246, 179, 179, 187, 17,  
106, 110, 161, 179, 59, 51, 51, 49, 102, 102, 111, 255, 255, 255, 255, 255, 255, 255,  
255, 255,  
255, 255, 255, 255, 255, 255, 255, 255, 255, 255, 255, 255, 255, 255, 255, 255, 255,  
255, 255, 255,  
255, 255, 255, 255, 255, 255, 255, 255, 255, 255, 255, 255, 255, 255, 255, 255,  
255, 255, 255,  
255, 255, 255, 255, 255, 255, 242, 34, 34, 34, 34, 34, 34, 34, 34, 34, 34, 41, 41, 41,  
41, 146, 41, 153, 41, 41, 34, 146, 34, 34, 146, 153, 41, 41, 153, 153, 153, 153, 153,  
146,  
146, 34, 107, 59, 59, 102, 111, 255, 246, 111, 255, 255, 255, 255, 255, 255, 255,  
255, 255, 255,  
255, 255, 255, 255, 255, 255, 255, 255, 255, 255, 255, 255, 255, 255, 246, 19, 51,  
136, 136, 56,  
131, 136, 56, 56, 136, 51, 59, 187, 17, 30, 238, 238, 230, 230, 102, 230, 102, 230,  
238, 110,  
238, 238, 17, 17, 17, 17, 17, 27, 187, 187, 51, 187, 59, 187, 187, 187, 231, 187, 187,  
187,  
59, 181, 179, 179, 59, 51, 179, 179, 179, 179, 59, 179, 187, 187, 187, 187, 187, 235,  
187, 190,



187, 187, 59, 51, 51, 51, 211, 221, 61, 61, 136, 136, 216, 136, 8, 136, 136, 136, 136,  
136,  
131, 136, 56, 51, 56, 56, 136, 136, 136, 128, 128, 0, 0, 0, 0, 0, 128, 0, 136, 136,  
136, 136, 51, 51, 187, 59, 51, 51, 51, 131, 136, 136, 136, 136, 128, 128, 136, 8, 8, 0,  
128, 136, 8, 136, 136, 8, 136, 136, 136, 51, 131, 51, 51, 187, 187, 17, 17, 225, 225,  
17,  
17, 183, 187, 123, 187, 181, 181, 53, 85, 85, 53, 213, 85, 213, 85, 85, 85, 85, 85, 85,  
85, 85, 85, 85, 85, 85, 85, 85, 85, 85, 85, 85, 85, 85, 85, 114, 102, 187, 59, 59, 26,  
22, 161, 17, 59, 51, 51, 187, 177, 102, 102, 102, 255, 255, 255, 102, 111, 255, 255,  
255, 255,  
246, 255, 255, 255, 255, 255, 102, 255, 255, 255, 255, 255, 255, 255, 255, 255,  
255, 111, 255,  
255, 255, 255, 255, 111, 255, 255, 255, 255, 255, 111, 255, 255, 255, 255, 246, 111,  
255, 246, 255,  
255, 246, 255, 255, 255, 34, 34, 34, 34, 34, 41, 34, 41, 34, 146, 146, 153, 34, 146,  
146,  
146, 41, 146, 34, 146, 146, 153, 153, 153, 153, 153, 41, 153, 153, 153, 146, 153, 41,  
146, 153,  
34, 107, 51, 51, 182, 102, 111, 111, 102, 102, 255, 102, 255, 255, 246, 111, 255,  
255, 255, 255,  
246, 255, 255, 255, 255, 255, 111, 255, 255, 255, 255, 255, 111, 255, 246, 27, 61,  
56, 56, 136,  
56, 136, 136, 131, 131, 51, 187, 17, 17, 17, 238, 238, 238, 110, 230, 110, 230, 238,  
110, 102,  
238, 110, 238, 30, 17, 17, 17, 17, 27, 27, 187, 51, 115, 59, 187, 187, 187, 190, 190,  
187,  
187, 59, 59, 59, 51, 53, 51, 51, 59, 55, 51, 187, 179, 187, 187, 187, 187, 187, 187,  
187,  
187, 187, 187, 51, 51, 51, 61, 51, 221, 216, 136, 216, 136, 8, 136, 8, 136, 136, 136,  
136,  
136, 131, 131, 131, 51, 51, 56, 136, 136, 8, 128, 128, 8, 0, 8, 8, 0, 128, 8, 8,  
131, 51, 51, 187, 51, 51, 51, 56, 56, 136, 136, 136, 136, 128, 136, 8, 0, 0, 0, 8,  
0, 0, 128, 8, 8, 136, 136, 131, 131, 131, 51, 51, 187, 187, 17, 17, 30, 17, 17, 177,

187, 27, 23, 183, 119, 183, 91, 83, 51, 53, 85, 83, 85, 85, 213, 93, 85, 85, 85, 85,  
85, 85, 85, 85, 85, 85, 85, 85, 85, 85, 85, 85, 85, 85, 85, 85, 85, 85, 114, 102, 187, 179, 187, 177,  
161, 26, 26, 179, 51, 179, 51, 49, 102, 102, 102, 246, 255, 255, 102, 111, 255, 255,  
255, 255,  
246, 111, 255, 255, 255, 255, 246, 255, 255, 255, 34, 242, 255, 255, 255, 255, 255,  
255, 246, 255,  
255, 255, 255, 255, 102, 255, 255, 255, 255, 246, 102, 255, 255, 255, 255, 255, 111,  
255, 102, 255,  
255, 255, 255, 255, 34, 34, 34, 34, 146, 153, 34, 153, 146, 153, 41, 41, 41, 153, 41,  
41,  
41, 153, 41, 153, 153, 153, 146, 153, 41, 153, 153, 153, 153, 153, 153, 153, 153,  
153, 153, 47,  
235, 51, 179, 187, 22, 102, 246, 246, 102, 111, 255, 102, 255, 255, 102, 111, 255,  
255, 255, 255,  
102, 111, 255, 255, 255, 255, 246, 111, 255, 255, 255, 255, 102, 111, 102, 107, 51,  
136, 136, 136,  
136, 136, 136, 136, 56, 51, 187, 177, 177, 238, 238, 238, 230, 230, 110, 102, 102,  
102, 230, 238,  
110, 238, 238, 238, 238, 238, 225, 17, 17, 187, 187, 187, 59, 187, 179, 187, 187,  
187, 187, 187,  
115, 187, 179, 83, 179, 59, 51, 51, 83, 51, 51, 51, 59, 59, 59, 59, 187, 187, 190, 187,  
187, 190, 59, 187, 59, 51, 211, 61, 211, 221, 136, 136, 136, 136, 0, 128, 0, 128, 136,  
8,  
136, 136, 136, 136, 56, 56, 51, 56, 136, 136, 136, 8, 0, 8, 0, 0, 0, 8, 0, 8,  
51, 59, 187, 51, 51, 51, 56, 56, 136, 136, 136, 136, 0, 8, 0, 128, 8, 8, 8, 0,  
128, 136, 8, 128, 136, 136, 136, 56, 56, 51, 51, 59, 187, 177, 17, 30, 17, 17, 17, 27,  
17, 17, 113, 27, 179, 51, 53, 53, 85, 93, 61, 85, 213, 213, 93, 85, 85, 85, 85, 85,  
85, 85, 85, 85, 85, 85, 85, 85, 85, 85, 85, 85, 85, 85, 85, 85, 85, 85, 114, 246, 225, 17, 187, 177,  
177, 17, 27, 187, 59, 51, 187, 177, 102, 102, 102, 111, 102, 102, 246, 246, 102, 255,  
255, 255,  
111, 111, 111, 255, 255, 255, 111, 255, 255, 66, 34, 34, 255, 255, 255, 255, 255,  
255, 246, 246,



51, 187, 187, 22, 102, 102, 246, 246, 246, 246, 255, 102, 102, 255, 102, 246, 111,  
102, 102, 102,  
102, 111, 102, 102, 102, 111, 102, 111, 102, 102, 102, 111, 111, 102, 102, 102, 179,  
56, 136, 136,  
136, 136, 136, 131, 51, 187, 177, 177, 17, 238, 225, 238, 238, 238, 46, 98, 226, 230,  
230, 110,  
110, 102, 230, 102, 238, 238, 238, 238, 238, 17, 27, 183, 187, 59, 179, 179, 59, 59,  
187, 59,  
187, 183, 179, 179, 59, 51, 51, 51, 51, 51, 51, 51, 51, 51, 51, 51, 59, 59, 59, 179, 187,  
187, 187, 187, 187, 187, 51, 51, 51, 211, 221, 61, 136, 136, 136, 13, 8, 13, 128, 128,  
0,  
8, 8, 8, 136, 136, 136, 131, 131, 56, 51, 136, 136, 136, 8, 8, 0, 0, 0, 0, 0,  
179, 51, 51, 131, 136, 56, 136, 136, 136, 128, 8, 128, 0, 128, 0, 128, 0, 128, 0, 8,  
8, 136, 128, 136, 136, 136, 136, 51, 131, 51, 187, 177, 17, 17, 17, 17, 17, 27, 27, 27,  
17, 17, 177, 187, 51, 51, 221, 61, 213, 221, 213, 93, 93, 93, 221, 83, 93, 93, 85, 213,  
213, 85, 85, 85, 85, 85, 85, 85, 85, 85, 85, 85, 85, 126, 246, 234, 225, 26, 179,  
59, 51, 59, 26, 26, 17, 17, 17, 102, 102, 102, 102, 102, 102, 102, 102, 102, 102, 111, 102,  
246,  
102, 102, 102, 111, 102, 255, 111, 255, 244, 66, 73, 34, 34, 34, 255, 255, 255, 246,  
102, 102,  
111, 111, 111, 102, 102, 102, 111, 246, 255, 111, 255, 255, 255, 255, 255, 255, 255,  
255, 34, 41,  
34, 153, 153, 41, 153, 41, 153, 41, 153, 153, 153, 153, 146, 153, 153, 153, 153, 153,  
153, 153,  
153, 153, 153, 153, 153, 153, 153, 153, 153, 153, 73, 148, 148, 148, 148, 34, 225,  
187, 51, 59,  
179, 59, 182, 102, 102, 102, 102, 102, 102, 102, 102, 102, 102, 102, 111, 102, 246,  
102, 111, 102,  
246, 246, 111, 111, 102, 246, 111, 102, 102, 246, 111, 102, 102, 111, 102, 102, 19,  
136, 131, 136,  
136, 136, 131, 131, 59, 187, 27, 17, 17, 235, 238, 238, 238, 46, 230, 238, 110, 98,  
230, 230,

230, 238, 110, 110, 110, 110, 110, 238, 238, 30, 30, 27, 187, 179, 51, 59, 59, 179,  
187, 187,  
123, 59, 59, 59, 51, 51, 51, 51, 51, 51, 51, 51, 51, 51, 51, 51, 51, 179, 51, 59, 59,  
187, 187, 187, 187, 59, 59, 51, 51, 61, 61, 216, 136, 136, 8, 128, 128, 128, 8, 8, 136,  
128, 128, 136, 8, 136, 136, 136, 136, 131, 136, 56, 136, 136, 136, 128, 128, 128,  
128, 0, 0,  
51, 51, 136, 136, 136, 136, 136, 136, 0, 8, 0, 0, 128, 0, 128, 8, 8, 0, 128, 128,  
128, 8, 8, 136, 136, 131, 51, 131, 51, 59, 187, 17, 17, 17, 17, 27, 27, 177, 17, 17,  
17, 177, 187, 51, 61, 61, 61, 221, 221, 61, 211, 221, 61, 53, 213, 213, 213, 213, 221,  
93,  
85, 213, 213, 213, 213, 85, 85, 85, 85, 85, 85, 85, 85, 85, 222, 38, 110, 161, 171, 51,  
51, 51, 59, 177, 17, 26, 26, 26, 102, 102, 102, 102, 102, 111, 102, 102, 111, 102,  
102, 102,  
111, 102, 111, 102, 102, 102, 255, 164, 68, 36, 68, 68, 34, 47, 242, 255, 255, 246,  
111, 111,  
102, 102, 102, 111, 111, 111, 246, 255, 255, 255, 255, 255, 255, 255, 242, 34, 34,  
153, 41, 41,  
153, 41, 41, 153, 146, 153, 153, 153, 153, 153, 153, 153, 153, 153, 153, 153, 153, 153,  
153, 153, 153,  
153, 153, 153, 153, 73, 73, 68, 148, 68, 68, 68, 68, 68, 73, 65, 27, 59, 51, 59, 51,  
59, 187, 102, 102, 102, 102, 102, 102, 111, 102, 102, 102, 102, 102, 102, 102,  
111, 102, 102,  
102, 102, 102, 102, 102, 102, 102, 102, 246, 102, 102, 102, 246, 102, 102, 102, 27,  
56, 136, 136,  
136, 56, 56, 51, 187, 177, 177, 17, 30, 238, 238, 238, 238, 238, 226, 226, 226, 238,  
98, 230,  
238, 102, 110, 102, 102, 230, 102, 230, 238, 238, 225, 17, 187, 187, 179, 61, 179,  
59, 55, 59,  
59, 187, 187, 179, 59, 91, 51, 51, 51, 51, 51, 51, 51, 51, 51, 51, 51, 51, 51, 179, 59,  
51, 179, 59, 59, 187, 179, 179, 51, 51, 51, 211, 216, 136, 136, 8, 136, 216, 128, 128,  
208,  
8, 8, 0, 136, 8, 136, 136, 136, 136, 51, 131, 51, 136, 136, 136, 8, 0, 0, 128, 8,  
56, 56, 56, 136, 136, 136, 8, 0, 128, 128, 8, 0, 0, 0, 0, 0, 8, 8, 8,

8, 136, 136, 136, 136, 136, 136, 51, 59, 187, 17, 17, 17, 17, 27, 27, 17, 17, 177, 17,  
17, 187, 51, 51, 51, 211, 221, 221, 221, 221, 221, 221, 221, 93, 221, 93, 93, 93, 85,  
53,  
211, 83, 83, 87, 87, 53, 53, 213, 213, 85, 213, 93, 93, 93, 94, 102, 238, 17, 17, 51,  
51, 51, 51, 161, 161, 17, 161, 22, 246, 102, 102, 102, 102, 102, 102, 102, 102, 102,  
102, 102,  
102, 102, 102, 102, 102, 111, 255, 255, 36, 68, 68, 153, 146, 34, 255, 255, 255, 246,  
102, 102,  
111, 111, 255, 255, 255, 255, 255, 255, 255, 255, 255, 242, 34, 41, 41, 41, 153, 41,  
153, 153,  
153, 153, 153, 153, 153, 153, 153, 153, 153, 153, 153, 153, 153, 153, 153, 153, 153, 153,  
153, 73, 73,  
73, 68, 68, 68, 68, 68, 68, 68, 68, 68, 68, 68, 78, 235, 59, 51, 179, 59, 51, 187,  
187, 182, 102, 102, 102, 102, 102, 102, 102, 102, 102, 102, 102, 102, 102, 102, 102,  
102, 102, 102,  
102, 102, 102, 102, 102, 102, 102, 102, 102, 102, 102, 102, 102, 102, 102, 102, 97,  
51, 136, 136,  
136, 136, 131, 59, 187, 187, 17, 190, 27, 238, 238, 238, 238, 226, 238, 46, 238, 226,  
238, 102,  
38, 238, 102, 110, 102, 102, 230, 102, 110, 110, 238, 17, 17, 187, 179, 179, 51, 179,  
51, 59,  
51, 179, 179, 183, 51, 179, 51, 51, 51, 51, 61, 61, 51, 51, 51, 51, 51, 51, 51, 51, 51,  
59, 59, 187, 187, 51, 187, 59, 51, 51, 61, 61, 56, 136, 136, 128, 208, 0, 8, 0, 8,  
0, 208, 128, 0, 128, 0, 136, 136, 136, 136, 136, 136, 56, 136, 136, 136, 8, 0, 0, 0,  
136, 136, 136, 136, 136, 8, 128, 128, 0, 0, 0, 0, 0, 0, 0, 8, 0, 0, 128,  
128, 128, 136, 136, 136, 51, 51, 59, 187, 177, 17, 17, 17, 187, 187, 177, 187, 17, 17,  
187,  
187, 179, 51, 61, 61, 141, 221, 221, 221, 221, 221, 221, 221, 221, 211, 221, 221, 61,  
61, 83,  
85, 53, 53, 189, 189, 83, 83, 125, 83, 221, 93, 213, 213, 221, 219, 47, 106, 26, 27,  
51,  
51, 51, 51, 17, 186, 26, 17, 22, 102, 102, 102, 102, 102, 102, 102, 102, 102,  
102, 102,

102, 102, 102, 102, 102, 102, 255, 68, 68, 68, 68, 68, 34, 34, 47, 255, 255, 255, 255,  
255,  
255, 255, 255, 255, 255, 255, 255, 242, 34, 34, 146, 153, 41, 153, 153, 153, 153,  
153, 153, 153,  
153, 153, 153, 153, 153, 153, 153, 153, 153, 153, 153, 148, 153, 73, 68, 68, 68, 68,  
68, 68,  
68, 68, 68, 68, 76, 68, 196, 204, 76, 68, 170, 225, 187, 187, 51, 179, 59, 179, 187,  
51,  
177, 102, 102, 102, 102, 102, 102, 102, 102, 102, 102, 102, 102, 102, 102, 102, 102,  
102, 102, 102,  
102, 102, 102, 102, 102, 102, 102, 102, 102, 102, 102, 102, 102, 102, 102, 102, 102,  
179, 136, 56,  
56, 51, 51, 187, 187, 17, 177, 235, 238, 190, 190, 238, 238, 238, 238, 238, 233, 238,  
38, 110,  
238, 46, 110, 102, 102, 102, 102, 230, 230, 110, 238, 238, 27, 235, 187, 59, 51, 51,  
115, 51,  
187, 59, 59, 51, 187, 51, 51, 51, 51, 51, 211, 221, 221, 221, 211, 211, 51, 51, 51,  
51, 51, 51, 179, 187, 51, 179, 179, 51, 51, 61, 211, 216, 136, 136, 8, 136, 0, 141, 0,  
128, 13, 8, 8, 8, 136, 8, 8, 136, 136, 136, 56, 131, 131, 136, 136, 136, 128, 128, 0,  
136, 136, 136, 128, 8, 0, 0, 8, 0, 128, 0, 0, 8, 0, 128, 8, 0, 136, 136, 8,  
8, 136, 136, 136, 131, 131, 51, 187, 187, 17, 17, 27, 187, 27, 17, 187, 17, 17, 27, 27,  
179, 51, 56, 216, 136, 136, 136, 221, 221, 221, 221, 221, 221, 221, 221, 211, 221,  
83, 83, 53,  
51, 91, 55, 55, 83, 117, 53, 213, 53, 93, 213, 221, 93, 93, 91, 230, 97, 17, 26, 51,  
51, 51, 51, 186, 27, 171, 26, 26, 246, 102, 102, 102, 102, 102, 102, 102, 102, 102,  
102, 102,  
102, 102, 102, 102, 102, 102, 250, 255, 68, 68, 68, 153, 66, 47, 242, 242, 255, 255,  
255, 255,  
255, 255, 242, 34, 34, 34, 153, 146, 153, 153, 153, 153, 153, 153, 153, 153, 153,  
153, 153, 153,  
153, 153, 153, 153, 153, 148, 153, 73, 68, 68, 68, 68, 68, 68, 68, 68, 68, 196, 76,  
76, 204, 204, 204, 204, 204, 76, 74, 46, 171, 27, 179, 51, 51, 187, 59, 179, 59, 59,  
187,

22, 102, 102, 102, 102, 102, 102, 102, 102, 102, 102, 102, 102, 102, 102, 102, 102,  
102, 102, 102,  
102, 102, 102, 102, 102, 102, 102, 102, 102, 102, 102, 102, 102, 102, 102, 102, 102,  
19, 56, 136,  
131, 131, 59, 187, 177, 177, 225, 30, 30, 238, 238, 238, 238, 238, 158, 233, 238,  
102, 230, 46,  
38, 230, 102, 102, 102, 102, 98, 102, 102, 102, 110, 238, 238, 190, 187, 179, 179,  
51, 51, 51,  
51, 55, 59, 187, 51, 179, 51, 51, 51, 51, 61, 61, 51, 61, 51, 211, 61, 221, 51, 51,  
51, 51, 59, 51, 179, 187, 59, 59, 51, 51, 51, 61, 136, 136, 136, 141, 13, 136, 0, 128,  
0, 128, 0, 13, 0, 0, 128, 128, 128, 128, 136, 136, 56, 136, 56, 56, 136, 136, 8, 0,  
136, 136, 0, 8, 0, 128, 128, 0, 0, 0, 0, 0, 0, 0, 0, 0, 0, 0, 128,  
136, 136, 136, 136, 56, 51, 59, 187, 17, 17, 187, 177, 177, 187, 187, 17, 177, 27,  
187, 179,  
51, 56, 131, 136, 136, 136, 136, 136, 221, 221, 221, 221, 221, 221, 221, 221, 221, 51, 61,  
61, 51,  
115, 183, 179, 115, 179, 51, 83, 211, 221, 213, 221, 93, 221, 221, 219, 38, 110, 113,  
123, 51,  
51, 51, 51, 177, 161, 17, 17, 17, 246, 102, 102, 102, 102, 102, 102, 102, 102, 102,  
102, 102,  
102, 102, 102, 102, 102, 102, 255, 79, 68, 68, 68, 68, 34, 34, 47, 242, 242, 242, 34,  
34,  
41, 41, 146, 153, 41, 153, 153, 153, 153, 153, 153, 153, 153, 153, 153, 153, 153,  
153, 153, 153,  
73, 73, 68, 68, 68, 68, 68, 68, 68, 68, 68, 68, 76, 76, 76, 76, 204, 204, 204, 204,  
204, 196, 196, 196, 68, 166, 225, 187, 187, 51, 179, 187, 187, 187, 51, 179, 59, 179,  
187, 177,  
102, 102, 102, 102, 102, 102, 102, 102, 102, 102, 102, 102, 102, 102, 102, 102, 102,  
102, 102, 102,  
102, 102, 102, 102, 102, 102, 102, 102, 102, 102, 102, 102, 102, 102, 102, 102,  
107, 51, 136,  
56, 51, 187, 187, 27, 17, 190, 235, 238, 238, 238, 238, 238, 238, 238, 238, 46,  
38, 226,



230, 102, 110, 102, 102, 98, 110, 102, 38, 102, 102, 238, 225, 235, 235, 187, 59, 51,  
51, 51,  
51, 51, 51, 51, 187, 59, 51, 51, 51, 51, 61, 211, 221, 211, 221, 61, 211, 51, 221, 61,  
61, 51, 51, 51, 51, 51, 179, 179, 59, 51, 51, 61, 51, 136, 136, 128, 128, 0, 136, 0,  
128, 8, 8, 0, 8, 8, 0, 8, 8, 8, 8, 8, 8, 136, 136, 136, 136, 136, 136, 136, 128,  
8, 0, 136, 0, 128, 0, 0, 128, 0, 0, 0, 0, 0, 128, 128, 128, 128, 136, 136, 8,  
128, 136, 136, 131, 51, 59, 187, 17, 177, 187, 27, 187, 187, 187, 27, 27, 17, 187,  
179, 51,  
51, 136, 56, 136, 136, 128, 128, 128, 128, 8, 221, 221, 221, 221, 211, 211, 221, 51,  
59, 187,  
59, 187, 183, 59, 83, 83, 61, 53, 211, 221, 211, 221, 221, 221, 61, 230, 110, 17, 27,  
179,  
51, 131, 131, 177, 186, 186, 26, 26, 102, 102, 102, 102, 102, 102, 102, 102, 102,  
102, 102, 102,  
102, 102, 102, 102, 102, 102, 255, 244, 242, 66, 73, 146, 146, 47, 242, 255, 41, 146,  
153, 41,  
153, 153, 153, 153, 153, 153, 153, 153, 153, 153, 153, 153, 153, 153, 73, 148, 148,  
68, 68, 68,  
68, 68, 68, 68, 68, 68, 76, 76, 76, 76, 204, 204, 204, 204, 204, 204, 196, 204, 76, 68,  
74, 74, 106, 225, 179, 187, 187, 59, 51, 187, 187, 179, 179, 59, 187, 59, 179, 187,  
187, 22,  
102, 102, 102, 102, 102, 102, 102, 102, 102, 102, 102, 102, 102, 102, 102, 102, 102,  
102, 102, 102,  
102, 102, 102, 102, 102, 102, 102, 102, 102, 102, 102, 102, 102, 102, 102, 102,  
97, 179, 51,  
51, 187, 187, 17, 190, 17, 235, 238, 235, 238, 190, 238, 238, 238, 238, 158, 226,  
238, 226, 110,  
98, 230, 38, 38, 98, 110, 98, 38, 102, 102, 102, 102, 238, 238, 17, 190, 187, 51, 51,  
51,  
51, 51, 51, 51, 53, 179, 55, 51, 51, 51, 51, 211, 211, 221, 61, 221, 61, 221, 51, 211,  
211, 61, 61, 51, 51, 51, 59, 51, 51, 51, 51, 51, 211, 131, 136, 136, 136, 136, 0, 128,  
8, 0, 0, 8, 0, 128, 8, 0, 0, 8, 8, 136, 8, 136, 136, 131, 136, 136, 136, 136,  
128, 128, 0, 0, 0, 0, 0, 0, 0, 0, 8, 0, 0, 0, 8, 8, 0, 8, 128,

136, 136, 131, 51, 59, 187, 17, 187, 27, 27, 187, 187, 187, 17, 177, 17, 187, 179, 51,  
56,  
136, 136, 128, 136, 8, 8, 8, 8, 8, 141, 8, 8, 221, 221, 221, 61, 51, 51, 51, 187,  
190, 187, 187, 179, 179, 51, 211, 221, 221, 221, 221, 221, 221, 221, 211, 230, 110,  
113, 183, 51,  
131, 56, 51, 187, 27, 17, 177, 177, 246, 102, 102, 102, 102, 102, 102, 102, 102, 102,  
102, 102,  
102, 102, 102, 102, 102, 102, 250, 255, 68, 36, 148, 41, 34, 242, 255, 34, 41, 153,  
153, 153,  
153, 153, 153, 153, 153, 153, 153, 153, 148, 148, 148, 148, 68, 68, 68, 68, 68, 68,  
68, 68,  
68, 76, 76, 196, 204, 204, 204, 204, 204, 204, 76, 196, 196, 196, 196, 74, 74, 250,  
110, 27,  
177, 187, 187, 179, 187, 187, 59, 187, 187, 179, 179, 187, 59, 179, 179, 187, 187,  
187, 22, 102,  
102, 102, 102, 102, 102, 102, 102, 102, 102, 102, 102, 102, 102, 102, 102, 102, 102,  
102, 102, 102,  
102, 102, 102, 102, 102, 102, 102, 102, 102, 102, 102, 102, 102, 102, 102, 102,  
102, 19, 51,  
59, 187, 187, 177, 17, 190, 30, 190, 238, 238, 238, 238, 238, 238, 238, 238, 238,  
226, 238, 226,  
110, 38, 230, 230, 110, 98, 102, 102, 38, 38, 102, 102, 238, 238, 225, 235, 187, 115,  
51, 51,  
51, 51, 51, 51, 59, 51, 179, 51, 51, 51, 51, 221, 61, 61, 221, 61, 221, 61, 221, 61,  
61, 51, 51, 51, 211, 51, 51, 51, 51, 51, 51, 51, 61, 61, 136, 136, 136, 8, 136, 8,  
0, 8, 8, 0, 128, 0, 0, 8, 8, 0, 128, 0, 128, 136, 136, 136, 136, 56, 136, 136,  
0, 0, 128, 0, 0, 0, 0, 0, 0, 0, 0, 128, 128, 128, 0, 136, 136, 136,  
136, 136, 51, 51, 187, 187, 187, 27, 187, 187, 187, 187, 187, 187, 27, 187, 179, 51,  
51, 136,  
136, 136, 136, 128, 136, 136, 128, 136, 128, 208, 128, 136, 216, 136, 51, 211, 51,  
59, 187, 190,  
187, 235, 187, 51, 51, 61, 61, 211, 221, 221, 221, 221, 221, 221, 221, 190, 225, 23,  
27, 51,

56, 51, 51, 186, 186, 186, 186, 17, 102, 102, 102, 102, 102, 102, 102, 102, 102, 102, 102, 102,  
102, 102,  
102, 102, 102, 102, 102, 102, 255, 255, 255, 34, 34, 66, 47, 47, 47, 255, 34, 34, 34,  
146,  
153, 41, 153, 153, 73, 73, 73, 68, 73, 68, 68, 68, 68, 68, 68, 68, 76, 76, 76, 76,  
204, 196, 196, 76, 196, 196, 68, 68, 74, 70, 175, 106, 110, 17, 27, 177, 187, 187,  
187, 187,  
187, 59, 187, 187, 187, 187, 187, 59, 59, 187, 59, 59, 179, 187, 59, 179, 187, 177,  
102, 102,  
102, 102, 102, 102, 102, 102, 102, 102, 102, 102, 102, 102, 102, 102, 102, 102, 102, 102,  
102, 102, 102,  
102, 102, 102, 102, 102, 102, 102, 102, 102, 102, 102, 102, 102, 102, 102, 102, 102,  
97, 27, 51,  
59, 187, 177, 27, 17, 235, 238, 238, 238, 238, 238, 235, 238, 238, 238, 238, 238, 46,  
226, 230,  
38, 110, 38, 38, 38, 46, 38, 38, 98, 102, 38, 102, 102, 110, 238, 27, 187, 187, 51, 51,  
51, 51, 51, 51, 51, 51, 51, 51, 51, 51, 51, 51, 221, 211, 221, 221, 61, 221, 221, 221,  
221, 221, 221, 211, 51, 51, 51, 51, 59, 51, 51, 51, 211, 56, 56, 136, 136, 136, 0, 128,  
136, 0, 0, 0, 0, 8, 0, 0, 8, 0, 128, 8, 0, 136, 136, 136, 136, 136, 136,  
0, 0, 0, 0, 0, 0, 0, 0, 0, 0, 128, 0, 8, 8, 8, 136, 0, 128, 136,  
136, 51, 51, 59, 187, 17, 177, 187, 187, 187, 59, 187, 177, 177, 187, 187, 51, 51,  
136, 136,  
136, 136, 0, 136, 0, 0, 141, 8, 8, 136, 136, 216, 136, 136, 141, 51, 51, 187, 187, 235,  
235, 187, 179, 51, 51, 211, 211, 221, 221, 221, 221, 221, 221, 221, 221, 221, 221, 51,  
187, 183, 51,  
51, 131, 131, 59, 187, 27, 27, 17, 102, 102, 102, 102, 102, 102, 102, 102, 102, 102,  
102, 102,  
102, 102, 102, 102, 102, 102, 111, 244, 255, 66, 34, 34, 242, 255, 242, 242, 255,  
255, 255, 255,  
255, 255, 255, 255, 34, 242, 34, 34, 36, 34, 41, 66, 36, 36, 36, 68, 66, 66, 68, 68,  
34, 68, 244, 242, 255, 254, 17, 187, 187, 187, 27, 187, 187, 187, 187, 187, 187, 187,  
187, 187,





226, 98, 98, 230, 38, 102, 111, 111, 38, 47, 255, 246, 102, 102, 102, 238, 225, 235,  
187, 179,  
51, 51, 221, 221, 61, 51, 51, 51, 51, 51, 51, 51, 221, 61, 221, 221, 211, 141, 136,  
136,  
136, 136, 136, 216, 216, 211, 211, 211, 61, 51, 51, 51, 51, 51, 136, 56, 136, 136,  
136, 136,  
8, 128, 8, 8, 8, 0, 128, 8, 0, 0, 0, 0, 0, 128, 128, 128, 8, 136, 136,  
0, 0, 0, 0, 0, 0, 0, 0, 0, 0, 8, 0, 128, 128, 128, 128, 136, 136, 51,  
51, 187, 187, 187, 187, 187, 187, 59, 51, 187, 187, 187, 187, 179, 51, 136, 136, 136,  
136, 0,  
8, 128, 136, 0, 141, 128, 0, 128, 136, 136, 216, 216, 136, 51, 51, 187, 17, 17, 190,  
187,  
179, 51, 51, 221, 221, 211, 221, 221, 221, 221, 208, 216, 0, 141, 8, 216, 211, 211,  
56, 131,  
51, 131, 51, 49, 171, 171, 171, 177, 102, 102, 102, 102, 102, 102, 102, 102, 102,  
102, 102, 102,  
102, 102, 102, 102, 102, 102, 102, 255, 255, 255, 242, 255, 47, 47, 255, 255, 102,  
102, 102, 102,  
102, 102, 102, 102, 102, 102, 102, 102, 102, 102, 102, 102, 102, 102, 102, 102, 102,  
102, 102, 102,  
102, 102, 102, 17, 177, 187, 187, 187, 187, 187, 187, 187, 187, 187, 187, 187, 187,  
59, 187, 187,  
179, 187, 187, 187, 187, 187, 187, 187, 187, 187, 187, 187, 187, 177, 22, 102,  
102, 102, 102,  
102, 102, 102, 102, 102, 102, 102, 102, 102, 102, 102, 102, 102, 102, 102, 102,  
102, 102, 102,  
102, 102, 102, 102, 102, 102, 102, 102, 102, 102, 102, 97, 17, 187, 187,  
187, 187, 187,  
17, 177, 177, 190, 190, 238, 238, 238, 238, 238, 238, 238, 238, 238, 238, 238, 238,  
238, 238, 238,  
238, 238, 110, 38, 102, 38, 246, 38, 102, 111, 255, 242, 255, 246, 102, 110, 238, 30,  
235, 187,

179, 51, 61, 61, 211, 221, 211, 51, 51, 51, 51, 51, 51, 211, 61, 61, 221, 216, 216,  
216,  
128, 136, 136, 136, 136, 136, 136, 56, 131, 221, 51, 61, 51, 211, 51, 131, 51, 136,  
136, 136,  
128, 136, 0, 128, 0, 0, 0, 0, 0, 0, 0, 0, 0, 0, 0, 8, 0, 0, 8,  
0, 0, 0, 0, 0, 0, 0, 0, 0, 8, 0, 8, 0, 136, 8, 136, 136, 51, 51,  
59, 187, 187, 187, 179, 179, 51, 179, 187, 187, 187, 187, 51, 56, 136, 136, 136, 136,  
0, 136,  
0, 8, 0, 128, 0, 8, 136, 8, 8, 141, 136, 136, 51, 51, 59, 187, 17, 17, 235, 187,  
51, 51, 61, 61, 61, 221, 221, 221, 221, 208, 216, 13, 216, 216, 131, 131, 61, 61, 51,  
51,  
51, 51, 51, 51, 59, 59, 186, 186, 22, 102, 102, 102, 102, 102, 102, 102, 102, 102,  
102, 102,  
102, 102, 102, 102, 102, 102, 102, 111, 255, 255, 47, 242, 255, 242, 255, 246, 102,  
102, 102, 102,  
102, 102, 102, 102, 102, 102, 102, 102, 102, 102, 102, 102, 102, 102, 102, 102, 102,  
102, 97, 102,  
102, 97, 17, 27, 187, 187, 187, 187, 187, 187, 187, 187, 187, 187, 187, 187, 187, 187,  
187, 187, 187,  
187, 187, 187, 187, 187, 187, 187, 187, 187, 187, 187, 187, 187, 177, 17, 102, 102,  
102, 102, 102,  
102, 102, 102, 102, 102, 102, 102, 102, 102, 102, 102, 102, 102, 102, 102, 102, 102,  
102, 102, 102,  
102, 102, 102, 102, 102, 102, 102, 102, 102, 102, 102, 97, 17, 187, 179, 187,  
187, 187, 177,  
187, 27, 225, 238, 238, 238, 238, 238, 238, 238, 238, 238, 238, 238, 238, 123, 235, 238,  
238, 238, 238,  
238, 158, 98, 230, 38, 98, 111, 102, 242, 242, 111, 102, 38, 246, 46, 102, 238, 225,  
190, 187,  
179, 51, 51, 211, 221, 51, 61, 221, 211, 51, 51, 51, 211, 61, 221, 221, 56, 136, 216,  
8,  
136, 136, 8, 8, 136, 136, 136, 136, 136, 51, 136, 51, 56, 51, 131, 56, 136, 56, 56,  
136,

136, 8, 136, 0, 0, 128, 0, 128, 0, 0, 0, 0, 0, 0, 0, 0, 0, 0, 128, 128,  
0, 0, 0, 0, 0, 0, 0, 0, 8, 0, 8, 0, 136, 8, 136, 136, 131, 51, 59,  
187, 187, 187, 51, 179, 179, 187, 59, 187, 187, 187, 51, 51, 136, 136, 136, 128, 0,  
128, 0,  
128, 128, 128, 8, 136, 128, 8, 136, 141, 136, 136, 51, 51, 51, 187, 30, 225, 27, 187,  
51,  
51, 61, 211, 221, 221, 221, 221, 221, 221, 13, 13, 128, 136, 221, 136, 61, 211, 51,  
51, 51,  
59, 59, 179, 187, 51, 51, 211, 187, 17, 102, 102, 102, 102, 102, 102, 102, 102, 102,  
102, 102,  
102, 102, 102, 102, 102, 102, 102, 102, 255, 255, 255, 255, 47, 47, 255, 246, 102,  
102, 102, 102,  
102, 102, 102, 102, 102, 102, 102, 102, 102, 102, 102, 102, 102, 102, 102, 102, 102,  
102, 102, 102,  
17, 17, 27, 187, 187, 187, 187, 187, 187, 187, 187, 187, 187, 187, 187, 187, 187, 187,  
187, 187, 187,  
187, 187, 187, 187, 187, 187, 187, 187, 187, 187, 187, 187, 187, 17, 102, 102, 102,  
102, 102, 102,  
102, 102, 102, 102, 102, 102, 102, 102, 102, 102, 102, 22, 102, 102, 102, 102, 102,  
102, 102, 102,  
102, 102, 102, 102, 102, 102, 102, 102, 102, 102, 102, 97, 17, 187, 179, 187, 187,  
187, 177, 187,  
177, 177, 177, 187, 235, 238, 238, 238, 158, 238, 238, 238, 238, 238, 238, 238, 126,  
235, 238, 238,  
238, 238, 230, 102, 98, 102, 246, 38, 102, 102, 255, 47, 111, 246, 102, 102, 110,  
238, 225, 187,  
187, 179, 51, 221, 61, 221, 211, 211, 61, 211, 211, 51, 61, 51, 51, 221, 216, 216,  
136, 128,  
128, 136, 136, 136, 136, 136, 136, 136, 136, 136, 136, 136, 136, 131, 131, 56, 51, 131,  
131, 136, 136,  
136, 128, 128, 136, 128, 0, 128, 0, 128, 0, 0, 0, 0, 0, 0, 0, 0, 0, 8,  
0, 0, 0, 0, 0, 0, 0, 0, 0, 0, 0, 0, 8, 8, 136, 136, 131, 51, 59, 187,  
187, 59, 59, 179, 51, 51, 51, 179, 187, 187, 51, 51, 56, 136, 136, 128, 8, 136, 8, 128,



0, 0, 8, 0, 0, 8, 128, 128, 216, 216, 136, 131, 51, 59, 190, 17, 177, 187, 179, 51,  
61, 211, 221, 221, 221, 221, 221, 221, 0, 208, 128, 221, 221, 136, 51, 211, 51, 211,  
51, 59,  
59, 187, 187, 187, 179, 179, 187, 211, 59, 17, 17, 102, 102, 102, 102, 102, 102, 102,  
102, 102,  
102, 102, 102, 102, 102, 102, 102, 102, 111, 255, 255, 255, 255, 255, 246, 102, 102,  
102, 102, 102,  
102, 102, 102, 102, 102, 102, 102, 102, 102, 102, 102, 102, 102, 102, 102, 102, 102,  
102, 97, 97,  
17, 17, 187, 187, 27, 187, 187, 187, 187, 187, 187, 187, 187, 187, 187, 187, 187, 187,  
187, 187, 187,  
187, 187, 187, 187, 187, 187, 187, 187, 187, 187, 187, 187, 17, 102, 102, 102, 102,  
102, 102, 102,  
102, 102, 102, 102, 102, 102, 102, 102, 102, 102, 102, 102, 102, 102, 102, 102, 102,  
102, 102, 102,  
102, 102, 102, 102, 102, 102, 102, 102, 102, 102, 102, 17, 27, 187, 187, 187, 187, 187,  
177, 27, 17,  
27, 17, 235, 238, 238, 238, 238, 238, 238, 238, 238, 238, 238, 238, 238, 190, 190, 235,  
238, 238, 238,  
238, 238, 238, 46, 102, 98, 98, 98, 255, 255, 255, 111, 255, 255, 246, 246, 102, 238,  
238, 30,  
187, 187, 51, 51, 221, 61, 221, 61, 211, 221, 51, 211, 51, 211, 221, 221, 211, 216,  
216, 216,  
136, 8, 8, 8, 0, 136, 136, 136, 136, 136, 136, 56, 131, 56, 131, 131, 136, 56, 131, 56,  
136, 136, 136, 0, 8, 0, 0, 0, 0, 0, 0, 0, 0, 0, 0, 0, 0, 0,  
0, 0, 0, 0, 0, 0, 0, 0, 128, 8, 8, 128, 136, 136, 136, 51, 51, 179, 179,  
59, 179, 51, 51, 179, 179, 187, 187, 179, 51, 51, 136, 136, 136, 128, 8, 128, 0, 0, 0,  
128, 8, 128, 128, 136, 8, 8, 136, 136, 136, 51, 51, 51, 177, 225, 30, 27, 187, 51, 51,  
211, 221, 221, 221, 221, 221, 221, 13, 136, 216, 221, 208, 136, 211, 211, 51, 51, 51,  
59, 187,  
187, 187, 187, 187, 187, 59, 179, 187, 179, 51, 187, 177, 17, 22, 102, 102, 102, 102,  
102, 102,

102, 102, 102, 102, 102, 102, 102, 102, 102, 102, 111, 255, 255, 255, 246, 102, 102, 102,  
102, 102, 102,  
102, 102, 102, 102, 102, 102, 102, 102, 102, 102, 102, 102, 102, 102, 102, 102, 102, 102,  
97, 17, 17,  
27, 187, 187, 27, 187, 177, 187, 27, 187, 187, 187, 187, 187, 187, 187, 187, 187, 187,  
187, 187, 187,  
187, 187, 187, 187, 187, 187, 187, 187, 187, 187, 177, 177, 22, 102, 102, 102, 102,  
102, 102, 102,  
102, 102, 102, 102, 102, 102, 102, 102, 102, 102, 102, 22, 102, 102, 102, 102, 102,  
102, 102, 102,  
102, 102, 102, 102, 102, 102, 102, 102, 102, 17, 27, 187, 187, 187, 177, 187, 177,  
27, 27, 27,  
190, 27, 238, 190, 190, 238, 190, 238, 158, 233, 238, 238, 238, 238, 238, 231, 190,  
190, 190, 190,  
238, 238, 238, 230, 102, 102, 111, 111, 111, 102, 102, 242, 111, 246, 255, 246, 102,  
102, 238, 235,  
27, 187, 179, 51, 61, 221, 221, 221, 211, 211, 221, 61, 211, 51, 51, 51, 221, 136,  
136, 128,  
136, 128, 128, 141, 136, 0, 8, 8, 136, 136, 136, 136, 136, 131, 131, 56, 51, 131, 136,  
136,  
56, 136, 136, 136, 0, 128, 0, 128, 0, 0, 0, 0, 0, 0, 0, 0, 0, 0, 0, 0,  
0, 0, 0, 0, 0, 0, 0, 0, 0, 0, 128, 128, 8, 136, 136, 51, 51, 187, 187, 59,  
179, 59, 51, 51, 51, 59, 59, 187, 59, 51, 136, 136, 136, 0, 8, 0, 128, 128, 128, 128,  
8, 0, 8, 8, 0, 128, 136, 8, 216, 136, 131, 51, 187, 235, 17, 187, 187, 51, 51, 221,  
61, 221, 61, 221, 141, 8, 0, 208, 221, 8, 13, 216, 131, 51, 51, 211, 51, 59, 187, 187,  
187, 225, 187, 187, 187, 179, 59, 51, 59, 51, 51, 51, 187, 177, 17, 22, 22, 102, 102,  
102,  
102, 102, 102, 102, 102, 102, 102, 102, 102, 102, 102, 102, 255, 255, 102, 102, 102, 102,  
102, 102, 102,  
102, 102, 102, 102, 102, 102, 102, 102, 102, 102, 102, 102, 102, 102, 102, 97, 97,  
17, 27, 17,  
187, 177, 187, 187, 187, 187, 187, 187, 177, 187, 177, 177, 187, 27, 177, 187, 27,  
177, 187, 27,

187, 187, 177, 187, 27, 187, 187, 177, 187, 177, 17, 17, 102, 102, 102, 102, 102,  
102, 102, 102,  
102, 102, 102, 102, 102, 102, 102, 102, 102, 102, 102, 102, 102, 102, 102, 102, 102,  
102, 102, 102,  
102, 102, 102, 102, 102, 102, 102, 102, 97, 17, 27, 187, 59, 187, 187, 187, 177, 27, 177,  
17, 190,  
235, 190, 183, 238, 238, 190, 238, 238, 238, 238, 238, 158, 238, 238, 235, 238, 235,  
235, 123, 231,  
235, 238, 238, 238, 230, 98, 98, 111, 98, 255, 255, 102, 246, 47, 246, 111, 246, 102,  
238, 238,  
190, 187, 187, 51, 51, 221, 61, 221, 221, 61, 61, 51, 61, 211, 221, 61, 61, 141, 136,  
136,  
8, 8, 141, 0, 0, 216, 128, 141, 8, 8, 136, 136, 136, 136, 136, 136, 136, 56, 131, 131,  
136, 136, 136, 128, 136, 8, 128, 0, 128, 0, 128, 0, 0, 0, 0, 0, 0, 0, 0,  
0, 0, 0, 0, 0, 0, 8, 8, 0, 8, 136, 136, 131, 51, 59, 51, 59, 179,  
51, 51, 51, 59, 59, 187, 187, 51, 51, 136, 136, 136, 128, 128, 128, 128, 0, 8, 0, 8,  
0, 128, 128, 128, 8, 8, 136, 136, 136, 51, 51, 59, 177, 30, 27, 187, 179, 51, 61, 61,  
221, 221, 216, 216, 208, 141, 216, 216, 208, 141, 216, 141, 61, 211, 211, 51, 51,  
179, 187, 187,  
190, 177, 177, 187, 187, 187, 187, 187, 51, 59, 51, 51, 56, 59, 177, 17, 17, 17, 97,  
102,  
102, 102, 102, 102, 102, 102, 102, 102, 102, 102, 102, 102, 22, 102, 102, 102, 102,  
102, 102, 102,  
102, 102, 102, 102, 102, 102, 102, 102, 102, 102, 102, 102, 102, 102, 17, 17, 17, 17,  
187, 27,  
177, 187, 187, 177, 177, 177, 177, 187, 187, 177, 187, 187, 187, 187, 187, 187, 187, 187,  
187, 187, 187,  
177, 177, 187, 187, 187, 177, 177, 187, 177, 27, 17, 102, 102, 102, 102, 102, 102,  
102, 102, 102,  
102, 102, 102, 102, 102, 102, 102, 102, 102, 102, 102, 22, 102, 102, 97, 102, 102,  
102, 102, 102,  
102, 102, 102, 102, 102, 102, 17, 17, 187, 59, 59, 187, 187, 177, 17, 27, 177, 17,  
190, 235,

30, 235, 225, 190, 190, 238, 238, 238, 238, 158, 238, 238, 238, 238, 238, 123, 238,  
190, 238, 187,  
190, 235, 238, 238, 238, 230, 102, 98, 102, 246, 102, 255, 111, 111, 242, 102, 102,  
102, 102, 238,  
225, 235, 187, 179, 51, 61, 221, 211, 221, 221, 221, 221, 211, 61, 51, 211, 211, 56,  
136, 136,  
128, 136, 8, 136, 216, 13, 8, 0, 128, 128, 136, 8, 136, 136, 136, 131, 131, 131, 136,  
56,  
136, 136, 136, 136, 8, 0, 0, 128, 0, 128, 0, 0, 0, 0, 0, 0, 0, 0, 0,  
0, 0, 0, 0, 0, 0, 0, 0, 128, 136, 136, 136, 131, 51, 59, 179, 187, 51, 51,  
51, 51, 51, 51, 187, 51, 51, 51, 136, 136, 136, 0, 0, 0, 0, 128, 0, 8, 0,  
0, 0, 8, 8, 128, 136, 8, 136, 131, 131, 51, 177, 17, 27, 187, 179, 51, 56, 131, 216,  
141, 136, 141, 0, 8, 208, 208, 141, 221, 208, 141, 211, 131, 51, 51, 51, 59, 187, 187,  
190,  
27, 235, 235, 177, 187, 187, 187, 179, 187, 51, 51, 51, 131, 51, 187, 187, 187, 17,  
17, 17,  
22, 22, 102, 102, 102, 102, 102, 102, 102, 102, 102, 102, 102, 102, 102, 102, 102,  
102, 102, 102,  
102, 102, 102, 102, 102, 102, 102, 102, 102, 102, 102, 22, 17, 17, 17, 187, 187,  
187, 27,  
187, 187, 177, 187, 187, 187, 187, 177, 177, 187, 177, 187, 27, 177, 187, 27, 177,  
187, 27, 177,  
187, 187, 187, 27, 177, 187, 187, 27, 17, 17, 102, 102, 102, 102, 102, 102, 102, 102,  
102, 102,  
102, 102, 102, 102, 102, 102, 102, 102, 17, 22, 102, 102, 102, 102, 22, 22, 102, 102,  
102, 102,  
102, 102, 102, 102, 102, 17, 17, 187, 187, 179, 187, 187, 187, 27, 27, 30, 17, 177,  
235, 126,  
27, 190, 235, 235, 235, 235, 238, 238, 238, 238, 233, 238, 238, 238, 238, 190, 187,  
235, 187, 238,  
235, 190, 190, 238, 238, 238, 102, 102, 102, 47, 47, 102, 246, 246, 102, 255, 111,  
102, 102, 238,

225, 17, 27, 187, 51, 211, 61, 221, 221, 221, 221, 61, 221, 221, 61, 61, 61, 216, 136,  
141,  
136, 128, 128, 13, 0, 128, 128, 136, 8, 8, 0, 136, 136, 136, 136, 136, 136, 136, 136, 56,  
136,  
131, 131, 136, 136, 136, 8, 128, 8, 0, 0, 0, 0, 0, 0, 0, 0, 0, 0, 0, 0,  
0, 0, 0, 0, 0, 0, 0, 128, 8, 128, 136, 131, 51, 51, 179, 59, 51, 51, 51,  
51, 51, 51, 59, 51, 179, 51, 56, 136, 136, 0, 128, 128, 128, 128, 0, 0, 0, 0, 128,  
128, 128, 8, 0, 8, 128, 136, 136, 56, 51, 187, 177, 17, 177, 179, 51, 51, 211, 141,  
136,  
136, 141, 0, 221, 141, 13, 8, 211, 61, 216, 136, 216, 51, 61, 51, 59, 59, 187, 30, 30,  
190, 190, 177, 27, 187, 187, 187, 187, 51, 179, 51, 51, 56, 51, 187, 59, 187, 187,  
187, 177,  
17, 17, 17, 97, 102, 102, 102, 102, 102, 102, 102, 102, 102, 102, 102, 102, 102, 102,  
102, 102,  
102, 102, 102, 102, 102, 102, 102, 102, 102, 102, 17, 17, 17, 17, 17, 187, 177, 187,  
27, 17,  
177, 187, 187, 177, 177, 177, 187, 27, 187, 177, 187, 27, 177, 187, 27, 177, 187, 27,  
177, 187,  
27, 27, 27, 177, 27, 177, 27, 177, 17, 22, 102, 102, 102, 102, 102, 102, 102, 102,  
102, 102,  
102, 102, 102, 102, 102, 102, 102, 102, 102, 102, 102, 22, 102, 102, 97, 102, 102,  
102, 102, 102,  
102, 102, 102, 17, 17, 187, 179, 179, 179, 187, 187, 187, 177, 177, 17, 17, 225, 235,  
238, 225,  
238, 235, 238, 190, 238, 238, 238, 190, 238, 238, 238, 238, 238, 238, 238, 238, 238,  
190, 123, 187,  
187, 235, 235, 190, 238, 238, 238, 102, 38, 102, 246, 246, 246, 111, 111, 255, 246,  
246, 102, 110,  
238, 225, 27, 187, 179, 51, 61, 61, 221, 136, 136, 221, 136, 61, 211, 211, 211, 131,  
136, 136,  
136, 8, 136, 208, 136, 8, 8, 0, 128, 128, 136, 208, 8, 8, 136, 136, 136, 136, 131, 131,  
136, 136, 136, 136, 136, 128, 136, 0, 128, 128, 0, 0, 0, 0, 0, 0, 0, 0, 0,  
0, 0, 0, 0, 0, 0, 128, 8, 136, 136, 131, 51, 51, 59, 51, 179, 51, 51, 51,

51, 51, 51, 187, 179, 51, 56, 136, 136, 0, 128, 8, 0, 0, 0, 0, 8, 0, 0, 0,  
8, 8, 0, 136, 136, 8, 136, 131, 51, 59, 187, 17, 187, 187, 51, 51, 136, 136, 221, 221,  
221, 13, 141, 8, 0, 208, 221, 13, 221, 221, 211, 51, 211, 51, 59, 59, 187, 177, 190,  
190,  
238, 235, 235, 177, 235, 235, 187, 187, 59, 51, 51, 51, 56, 51, 59, 179, 179, 187, 59,  
187,  
187, 187, 17, 17, 17, 17, 97, 102, 102, 102, 97, 102, 102, 102, 102, 102, 102, 102,  
102, 102,  
102, 102, 102, 102, 22, 102, 102, 97, 17, 17, 17, 17, 17, 187, 187, 177, 187, 27, 187,  
27,  
27, 27, 177, 187, 27, 187, 27, 177, 177, 187, 27, 177, 187, 27, 177, 187, 27, 177,  
187, 27,  
177, 187, 177, 187, 177, 27, 177, 17, 22, 102, 102, 102, 102, 102, 102, 102, 102,  
102, 102, 102,  
102, 102, 102, 102, 102, 102, 102, 102, 97, 102, 102, 22, 102, 102, 102, 102, 102,  
102, 102, 22,  
22, 22, 17, 17, 187, 187, 187, 187, 187, 187, 187, 187, 177, 187, 17, 17, 225, 225, 238,  
190, 190,  
190, 238, 190, 235, 183, 190, 190, 238, 238, 238, 238, 158, 238, 233, 126, 235, 187,  
235, 190, 235,  
231, 187, 190, 190, 187, 238, 238, 238, 230, 102, 255, 111, 111, 246, 246, 111, 111,  
111, 102, 102,  
110, 238, 17, 27, 187, 51, 51, 221, 221, 221, 141, 136, 136, 216, 141, 141, 136, 56,  
56, 56,  
136, 136, 8, 8, 0, 128, 128, 8, 8, 8, 0, 8, 128, 128, 128, 128, 136, 136, 136, 136,  
131, 131, 136, 136, 136, 136, 8, 8, 0, 8, 0, 0, 0, 0, 0, 0, 0, 0, 0,  
0, 0, 0, 0, 0, 0, 8, 8, 8, 136, 136, 51, 51, 59, 51, 59, 51, 51, 51, 56,  
51, 51, 59, 51, 51, 56, 136, 136, 0, 128, 0, 0, 0, 0, 128, 0, 8, 8, 0,  
0, 0, 136, 0, 136, 136, 136, 56, 51, 187, 17, 187, 187, 51, 51, 141, 141, 221, 136, 8,  
128, 128, 208, 141, 216, 216, 0, 221, 221, 136, 141, 51, 51, 51, 179, 187, 187, 235,  
225, 225,  
27, 238, 190, 235, 187, 187, 187, 187, 179, 59, 51, 51, 211, 51, 179, 187, 59, 51,  
187, 59,

179, 187, 187, 187, 177, 17, 17, 17, 22, 22, 102, 97, 102, 102, 22, 97, 102, 97, 102,  
97,  
102, 22, 22, 102, 102, 17, 17, 17, 17, 17, 17, 27, 27, 27, 17, 187, 17, 177, 187, 27,  
187, 177, 27, 177, 177, 177, 177, 187, 27, 27, 177, 187, 17, 177, 27, 27, 177, 187,  
27, 177,  
187, 17, 27, 17, 187, 17, 17, 22, 102, 97, 102, 97, 102, 102, 102, 102, 102, 102, 102,  
102,  
102, 102, 102, 102, 102, 102, 102, 97, 102, 97, 102, 97, 102, 97, 102, 97, 102, 97,  
102, 102,  
97, 17, 187, 187, 187, 179, 187, 187, 187, 187, 177, 187, 17, 27, 17, 238, 238, 235,  
238, 238,  
238, 190, 235, 238, 238, 235, 231, 190, 126, 238, 238, 238, 238, 238, 238, 238, 238,  
190, 187, 187,  
187, 190, 187, 123, 238, 190, 238, 238, 110, 38, 102, 246, 38, 102, 102, 102, 255,  
111, 111, 102,  
102, 238, 225, 27, 187, 179, 51, 51, 221, 216, 8, 8, 216, 136, 216, 136, 131, 136,  
211, 136,  
216, 128, 141, 128, 128, 216, 8, 128, 0, 128, 128, 128, 8, 8, 8, 136, 136, 8, 136, 136,  
136, 136, 136, 136, 136, 136, 136, 136, 136, 0, 128, 128, 0, 128, 13, 221, 0, 0, 0, 0,  
0, 0, 0, 0, 0, 8, 0, 8, 136, 136, 131, 51, 51, 179, 51, 51, 51, 131, 56, 51,  
51, 51, 179, 51, 56, 136, 128, 0, 128, 0, 8, 0, 0, 0, 0, 0, 0, 8,  
0, 128, 0, 136, 8, 136, 131, 131, 187, 187, 187, 27, 179, 51, 56, 61, 141, 141, 141,  
128,  
216, 221, 13, 0, 0, 13, 221, 13, 221, 136, 51, 211, 51, 51, 59, 187, 190, 30, 238, 238,  
238, 27, 235, 190, 238, 190, 187, 187, 59, 179, 51, 51, 51, 59, 59, 59, 179, 187, 59,  
179,  
187, 187, 59, 59, 187, 187, 187, 177, 17, 17, 17, 102, 22, 22, 102, 102, 97, 102, 97,  
102,  
102, 102, 97, 17, 17, 17, 17, 17, 17, 17, 177, 177, 177, 177, 187, 17, 187, 187, 177,  
17,  
17, 187, 177, 27, 187, 27, 27, 27, 177, 177, 27, 27, 187, 187, 187, 177, 27, 17, 177,  
27,  
27, 187, 177, 187, 17, 17, 22, 102, 22, 102, 97, 102, 97, 97, 97, 97, 97, 97, 97,

97, 97, 97, 97, 97, 97, 97, 102, 102, 102, 97, 22, 97, 102, 97, 102, 97, 102, 17, 17,  
27, 187, 187, 59, 179, 187, 187, 187, 177, 177, 187, 17, 187, 30, 225, 190, 238, 238,  
238, 190,  
238, 238, 238, 183, 187, 238, 238, 235, 238, 235, 238, 238, 233, 238, 238, 190, 187,  
235, 126, 190,  
187, 187, 187, 187, 187, 235, 238, 238, 238, 230, 98, 111, 102, 255, 111, 111, 111,  
246, 246, 102,  
110, 110, 225, 17, 27, 187, 51, 61, 61, 216, 141, 141, 8, 8, 216, 136, 136, 136, 136,  
131,  
136, 136, 128, 128, 136, 0, 0, 8, 8, 0, 8, 0, 128, 128, 128, 0, 8, 136, 136, 136,  
136, 136, 131, 136, 136, 136, 136, 8, 8, 128, 8, 0, 0, 0, 13, 189, 0, 0, 0, 0,  
0, 0, 0, 0, 8, 0, 136, 136, 136, 51, 51, 51, 51, 51, 51, 51, 131, 56, 51, 51,  
51, 179, 51, 56, 136, 136, 8, 0, 0, 128, 0, 0, 0, 0, 0, 0, 128, 0, 0,  
8, 8, 136, 8, 136, 136, 56, 187, 59, 17, 187, 179, 51, 56, 136, 216, 216, 141, 0, 221,  
0, 13, 13, 221, 136, 208, 13, 128, 136, 131, 211, 51, 51, 59, 187, 187, 235, 238, 238,  
238,  
225, 238, 30, 235, 187, 187, 187, 187, 179, 51, 51, 51, 61, 59, 187, 187, 187, 59,  
179, 59,  
51, 51, 187, 187, 179, 187, 187, 187, 187, 177, 17, 17, 17, 22, 17, 97, 102, 97, 102,  
17,  
17, 17, 17, 17, 17, 17, 17, 17, 177, 187, 27, 27, 27, 27, 27, 187, 17, 17, 187, 27,  
187, 17, 27, 177, 17, 177, 177, 177, 27, 27, 177, 177, 17, 17, 17, 27, 177, 187, 27,  
177,  
177, 17, 27, 17, 17, 22, 97, 102, 97, 97, 102, 97, 102, 102, 102, 102, 102, 102, 102,  
102,  
102, 102, 102, 102, 102, 102, 102, 97, 97, 97, 102, 97, 102, 22, 102, 97, 97, 17, 17,  
187,  
187, 187, 187, 187, 187, 177, 177, 177, 27, 27, 17, 187, 238, 27, 238, 238, 238, 238,  
238, 238,  
235, 238, 190, 238, 238, 187, 123, 238, 235, 238, 238, 238, 238, 238, 238, 235, 238,  
187, 187, 187,  
183, 187, 123, 187, 187, 187, 187, 238, 238, 238, 110, 102, 255, 102, 246, 102, 102,  
246, 246, 102,



102, 110, 110, 225, 27, 187, 179, 51, 51, 216, 136, 13, 136, 136, 141, 136, 136, 136,  
56, 136,  
136, 141, 136, 216, 0, 136, 141, 0, 128, 8, 128, 128, 0, 0, 128, 136, 128, 8, 8, 136,  
136, 136, 136, 136, 136, 136, 136, 136, 128, 136, 0, 8, 8, 0, 8, 208, 0, 0, 0, 0,  
0, 0, 0, 0, 0, 136, 8, 136, 131, 56, 51, 51, 51, 51, 51, 56, 56, 51, 51, 51,  
179, 51, 51, 136, 136, 0, 0, 128, 0, 0, 0, 0, 0, 0, 0, 128, 0, 0, 128,  
128, 0, 0, 136, 136, 131, 51, 59, 177, 187, 187, 51, 56, 136, 136, 141, 141, 13, 136,  
0,  
221, 128, 128, 0, 13, 8, 208, 216, 216, 61, 51, 51, 51, 179, 187, 190, 190, 238, 238,  
238,  
238, 17, 235, 238, 30, 187, 235, 187, 59, 179, 51, 51, 51, 187, 187, 187, 187, 187,  
187, 187,  
187, 187, 51, 51, 59, 51, 179, 187, 187, 187, 187, 51, 59, 187, 17, 17, 17, 17, 17, 17,  
17, 17, 17, 17, 17, 27, 27, 187, 27, 17, 177, 177, 177, 177, 177, 17, 187, 187, 177,  
17,  
17, 187, 177, 27, 187, 27, 27, 27, 177, 177, 27, 27, 187, 187, 187, 177, 187, 17, 177,  
27,  
27, 177, 17, 17, 22, 97, 102, 22, 102, 102, 97, 102, 97, 97, 97, 97, 97, 97, 97, 97,  
97, 97, 97, 97, 97, 97, 97, 102, 102, 102, 97, 22, 102, 97, 97, 17, 17, 187, 187, 187,  
187, 187, 187, 187, 177, 187, 27, 17, 177, 27, 27, 225, 187, 238, 190, 238, 238, 238,  
238, 238,  
238, 238, 238, 190, 187, 238, 190, 187, 190, 126, 235, 238, 238, 238, 238, 238, 190,  
238, 190, 183,  
187, 187, 187, 187, 187, 183, 190, 187, 238, 238, 230, 102, 102, 246, 111, 111, 102,  
111, 111, 102,  
102, 102, 238, 225, 17, 27, 187, 51, 51, 56, 136, 141, 0, 128, 128, 216, 211, 136,  
136, 136,  
136, 56, 136, 128, 136, 208, 0, 128, 8, 0, 0, 0, 128, 128, 8, 0, 8, 128, 128, 136,  
8, 136, 136, 136, 136, 136, 136, 136, 136, 8, 128, 128, 0, 0, 128, 0, 0, 0, 0, 0,  
0, 0, 0, 8, 136, 8, 136, 131, 51, 51, 51, 51, 51, 51, 56, 131, 51, 51, 51, 51,  
51, 51, 136, 136, 8, 8, 0, 0, 0, 0, 0, 0, 0, 0, 0, 0, 8, 0,  
8, 128, 136, 136, 136, 51, 59, 187, 27, 187, 51, 56, 136, 61, 141, 136, 0, 128, 13, 8,

0, 13, 8, 221, 208, 128, 216, 136, 131, 211, 51, 51, 51, 59, 177, 190, 238, 238, 238,  
238,  
225, 225, 238, 190, 187, 235, 187, 179, 179, 59, 51, 51, 211, 187, 177, 177, 187,  
187, 187, 187,  
59, 59, 187, 187, 179, 187, 59, 51, 51, 179, 179, 51, 51, 179, 59, 187, 177, 17, 17,  
17,  
17, 17, 27, 17, 187, 177, 177, 17, 177, 177, 27, 27, 27, 27, 27, 187, 17, 17, 187, 27,  
187, 17, 27, 177, 17, 177, 177, 177, 27, 27, 177, 177, 17, 17, 17, 177, 17, 187, 27,  
27,  
17, 17, 17, 22, 97, 102, 22, 97, 97, 97, 102, 97, 102, 102, 102, 102, 102, 102, 102,  
102,  
102, 102, 102, 102, 102, 102, 102, 97, 97, 97, 102, 17, 17, 17, 17, 187, 187, 187,  
187, 187,  
187, 187, 187, 187, 187, 17, 17, 177, 235, 30, 30, 190, 238, 190, 238, 238, 238, 238,  
46, 238,  
238, 238, 238, 235, 238, 183, 235, 238, 190, 187, 238, 238, 238, 238, 238, 238, 235,  
187, 235, 187,  
187, 187, 187, 187, 123, 187, 187, 190, 187, 238, 238, 230, 102, 102, 246, 246, 246,  
246, 246, 246,  
246, 102, 110, 110, 225, 17, 187, 179, 51, 51, 216, 216, 136, 208, 141, 8, 215, 136,  
136, 136,  
136, 216, 136, 136, 128, 128, 136, 8, 0, 128, 128, 128, 0, 0, 128, 128, 128, 8, 8, 8,  
128, 136, 136, 136, 136, 136, 136, 136, 8, 128, 136, 8, 8, 0, 0, 0, 0, 0, 0,  
0, 0, 0, 0, 8, 136, 136, 51, 131, 51, 51, 51, 51, 136, 131, 56, 56, 51, 51, 51,  
56, 136, 136, 0, 0, 0, 0, 0, 0, 0, 0, 0, 0, 0, 0, 0, 0, 8,  
0, 8, 128, 136, 131, 51, 187, 187, 187, 51, 56, 56, 136, 221, 141, 13, 136, 8, 128,  
208,  
221, 0, 0, 0, 13, 221, 8, 216, 141, 61, 51, 51, 59, 187, 177, 225, 238, 238, 238, 238,  
238, 225, 225, 235, 235, 187, 187, 187, 179, 179, 51, 51, 59, 225, 27, 17, 17, 27,  
187, 187,  
187, 187, 59, 59, 59, 59, 179, 187, 187, 187, 51, 51, 51, 51, 179, 51, 51, 51, 59, 187,  
187, 187, 177, 177, 17, 17, 27, 187, 17, 187, 177, 177, 177, 177, 177, 17, 27, 187,  
27, 17,

17, 177, 177, 27, 187, 27, 27, 27, 177, 177, 27, 27, 187, 187, 177, 27, 27, 17, 177,  
17,  
17, 17, 22, 97, 102, 22, 97, 102, 22, 102, 97, 102, 97, 97, 97, 97, 97, 97, 97, 97,  
97, 97, 97, 97, 97, 97, 97, 22, 22, 22, 17, 17, 17, 187, 187, 187, 187, 187, 187, 187,  
177, 17, 17, 17, 17, 27, 17, 235, 30, 27, 27, 235, 190, 235, 235, 238, 238, 238, 238,  
238,  
238, 238, 190, 238, 183, 235, 190, 183, 183, 238, 190, 183, 238, 238, 238, 235, 238,  
235, 183, 187,  
190, 187, 179, 179, 179, 179, 187, 187, 190, 190, 238, 238, 230, 98, 102, 102, 102,  
102, 102, 102,  
102, 102, 102, 238, 238, 17, 27, 187, 51, 51, 56, 221, 208, 208, 208, 128, 56, 136, 8,  
136,  
136, 136, 136, 136, 8, 136, 0, 128, 128, 0, 0, 0, 8, 0, 0, 0, 0, 128, 128, 128,  
8, 8, 8, 8, 136, 136, 136, 8, 128, 136, 0, 128, 128, 128, 0, 0, 0, 0, 0, 0,  
0, 0, 8, 136, 136, 136, 51, 51, 51, 51, 51, 56, 56, 51, 56, 131, 131, 51, 51, 51,  
136, 136, 0, 128, 0, 0, 0, 0, 0, 0, 0, 0, 0, 0, 0, 128, 128, 128, 128,  
136, 128, 136, 131, 51, 59, 187, 187, 179, 51, 136, 136, 136, 128, 0, 128, 0, 208, 13,  
13,  
0, 141, 8, 221, 208, 13, 136, 136, 51, 51, 51, 51, 179, 187, 225, 238, 238, 102, 110,  
238,  
238, 238, 30, 30, 190, 187, 235, 59, 59, 51, 51, 51, 59, 225, 17, 17, 17, 17, 17, 177,  
187, 187, 187, 187, 187, 179, 59, 59, 51, 59, 179, 51, 179, 187, 59, 187, 187, 187,  
179, 51,  
179, 187, 187, 187, 187, 187, 17, 17, 177, 17, 17, 177, 27, 27, 17, 187, 177, 17, 187,  
17,  
187, 27, 27, 17, 17, 177, 17, 177, 27, 17, 177, 17, 17, 17, 27, 27, 27, 17, 17, 17,  
17, 102, 97, 102, 22, 97, 102, 22, 97, 97, 102, 17, 102, 22, 22, 22, 22, 22, 22,  
22, 22, 22, 22, 22, 22, 17, 17, 17, 187, 187, 179, 187, 59, 187, 187, 187, 187, 17,  
187, 17, 17, 177, 187, 30, 17, 30, 235, 238, 238, 238, 235, 238, 238, 238, 238, 238,  
158, 226,  
238, 238, 238, 235, 235, 190, 235, 235, 235, 187, 235, 235, 190, 190, 238, 238, 235,  
238, 235, 190,

187, 187, 55, 59, 187, 187, 59, 187, 187, 187, 190, 238, 238, 230, 102, 255, 111,  
102, 102, 102,  
246, 246, 110, 102, 225, 225, 17, 187, 179, 51, 51, 136, 136, 216, 8, 8, 208, 208,  
136, 8,  
8, 136, 136, 136, 136, 8, 128, 8, 0, 128, 128, 128, 0, 0, 0, 8, 0, 8, 0, 8,  
128, 128, 128, 136, 128, 136, 136, 136, 136, 136, 136, 8, 8, 0, 128, 128, 0, 0, 0, 0,  
0, 8, 8, 8, 136, 51, 131, 51, 51, 51, 131, 131, 136, 136, 131, 51, 51, 51, 56, 136,  
136, 128, 0, 0, 0, 0, 0, 0, 0, 0, 0, 0, 0, 0, 0, 0, 0, 8,  
0, 8, 136, 131, 51, 187, 59, 51, 51, 136, 136, 136, 128, 8, 141, 13, 8, 0, 128, 0,  
0, 0, 128, 0, 13, 141, 141, 131, 141, 51, 51, 59, 187, 177, 30, 238, 230, 238, 238,  
238,  
238, 30, 225, 235, 187, 235, 59, 187, 51, 51, 51, 51, 190, 225, 17, 17, 17, 17, 17, 17,  
17, 27, 187, 187, 187, 187, 187, 179, 187, 179, 51, 51, 59, 59, 187, 59, 187, 187,  
187, 187,  
187, 59, 51, 179, 179, 187, 187, 187, 27, 177, 177, 27, 17, 17, 177, 17, 27, 177, 187,  
17,  
17, 177, 177, 177, 177, 27, 177, 27, 17, 187, 27, 177, 177, 177, 177, 17, 17, 17, 17,  
22,  
22, 22, 22, 22, 97, 102, 22, 97, 102, 22, 22, 102, 17, 97, 97, 97, 97, 97, 97, 97,  
97, 97, 97, 97, 17, 17, 17, 27, 187, 187, 187, 51, 59, 187, 187, 187, 187, 27, 17, 177,  
17, 17, 17, 17, 238, 177, 30, 235, 238, 235, 235, 235, 238, 235, 235, 238, 238, 238,  
226, 238,  
238, 238, 235, 238, 238, 123, 187, 187, 190, 190, 183, 190, 235, 238, 238, 238, 238,  
187, 190, 187,  
187, 183, 187, 179, 179, 51, 179, 115, 187, 187, 187, 190, 238, 238, 102, 102, 102,  
102, 102, 102,  
102, 102, 102, 110, 230, 17, 17, 187, 187, 179, 56, 56, 136, 128, 128, 208, 8, 8, 13,  
136,  
136, 141, 136, 136, 136, 136, 136, 128, 128, 8, 0, 0, 128, 8, 0, 0, 0, 0, 0, 128,  
0, 8, 136, 0, 136, 128, 136, 136, 8, 8, 8, 128, 128, 136, 0, 0, 0, 0, 0, 0,  
8, 8, 136, 136, 131, 131, 51, 131, 131, 136, 56, 56, 131, 131, 51, 131, 51, 51, 136,  
136,  
128, 0, 128, 0, 0, 0, 0, 0, 0, 0, 0, 0, 0, 0, 0, 8, 8, 8,

136, 136, 136, 51, 59, 59, 179, 51, 56, 136, 136, 136, 8, 128, 0, 128, 128, 128, 0,  
208,  
208, 208, 0, 136, 208, 141, 136, 141, 51, 51, 51, 179, 187, 17, 238, 238, 102, 102,  
238, 238,  
238, 225, 235, 17, 27, 187, 187, 179, 187, 51, 51, 59, 190, 225, 22, 22, 22, 17, 17,  
17,  
17, 17, 17, 177, 187, 187, 187, 187, 179, 187, 51, 59, 179, 187, 187, 187, 187, 187,  
187, 187,  
187, 187, 187, 187, 187, 59, 51, 51, 59, 179, 187, 177, 187, 17, 27, 17, 17, 17, 17,  
17,  
187, 27, 177, 27, 27, 17, 27, 17, 177, 17, 17, 27, 27, 17, 17, 17, 17, 17, 97, 97,  
97, 97, 97, 97, 22, 17, 97, 22, 17, 97, 97, 22, 102, 22, 22, 22, 22, 22, 22, 22,  
17, 17, 17, 17, 27, 187, 179, 179, 187, 51, 51, 187, 187, 187, 187, 27, 17, 177, 17,  
17,  
17, 17, 238, 238, 177, 238, 225, 238, 235, 238, 238, 238, 238, 235, 238, 238, 238, 238,  
238, 238, 233,  
238, 238, 238, 235, 235, 235, 235, 123, 187, 187, 187, 235, 190, 187, 238, 190, 238,  
238, 235, 235,  
235, 179, 179, 187, 59, 183, 51, 59, 59, 187, 187, 235, 238, 238, 238, 102, 111, 102,  
102, 102,  
102, 102, 102, 102, 238, 97, 17, 17, 187, 59, 51, 51, 136, 136, 136, 8, 13, 8, 128, 0,  
8, 8, 128, 136, 136, 128, 128, 136, 8, 0, 128, 0, 0, 0, 0, 128, 8, 0, 128, 0,  
8, 0, 0, 8, 0, 8, 128, 136, 136, 136, 128, 136, 8, 0, 136, 8, 0, 128, 0, 0,  
0, 128, 136, 131, 56, 51, 131, 56, 56, 56, 136, 136, 56, 51, 131, 51, 51, 136, 136,  
128,  
0, 0, 0, 0, 0, 0, 0, 0, 0, 0, 0, 0, 0, 0, 0, 8, 0, 0, 128,  
128, 136, 51, 51, 187, 179, 51, 56, 136, 136, 8, 0, 128, 8, 128, 0, 0, 13, 8, 0,  
13, 0, 128, 0, 216, 136, 131, 51, 183, 51, 51, 187, 187, 30, 238, 230, 238, 238, 238,  
238,  
238, 30, 30, 27, 187, 187, 179, 179, 51, 51, 51, 59, 238, 238, 97, 97, 97, 102, 22, 17,  
17, 17, 17, 17, 27, 27, 187, 187, 187, 179, 51, 179, 187, 187, 187, 187, 27, 27, 27,  
27,



225, 238, 238, 238, 238, 238, 238, 190, 238, 238, 238, 238, 235, 238, 190, 238, 126,  
238, 238, 226,  
238, 238, 238, 190, 190, 123, 187, 187, 187, 187, 187, 187, 187, 235, 187, 123, 190, 238,  
238, 235, 235,  
123, 187, 187, 179, 179, 179, 51, 115, 59, 51, 59, 187, 190, 235, 238, 238, 102, 102,  
102, 102,  
110, 102, 102, 102, 102, 110, 110, 17, 17, 187, 179, 51, 56, 56, 136, 136, 8, 128, 8,  
0,  
0, 8, 8, 136, 136, 8, 128, 136, 128, 8, 128, 8, 0, 0, 8, 0, 0, 128, 0, 0,  
0, 0, 0, 8, 0, 8, 128, 136, 8, 128, 128, 128, 136, 8, 8, 0, 8, 8, 0, 0,  
8, 136, 51, 131, 131, 131, 136, 56, 136, 136, 131, 56, 51, 51, 56, 56, 136, 128, 0, 0,  
0, 0, 0, 0, 0, 0, 0, 0, 0, 0, 0, 0, 0, 0, 0, 8, 0, 8, 128,  
131, 51, 59, 179, 179, 51, 136, 136, 136, 0, 128, 128, 8, 0, 128, 0, 0, 208, 13, 0,  
0, 208, 128, 13, 136, 216, 51, 51, 51, 59, 187, 187, 27, 238, 230, 102, 238, 238, 238,  
238,  
17, 17, 190, 187, 187, 187, 51, 179, 59, 51, 59, 190, 230, 102, 22, 102, 102, 97, 102,  
102,  
97, 97, 97, 17, 17, 17, 17, 17, 27, 179, 179, 187, 187, 177, 17, 187, 17, 17, 17, 17,  
177, 27, 27, 187, 177, 187, 187, 187, 187, 187, 187, 187, 187, 187, 187, 187, 179,  
179, 59, 59,  
51, 51, 59, 187, 187, 179, 187, 187, 187, 187, 187, 187, 17, 17, 17, 17, 17, 17, 17,  
17,  
17, 17, 17, 17, 17, 17, 17, 17, 17, 17, 27, 187, 187, 187, 187, 187, 179, 187, 187, 59,  
179, 179, 187, 187, 187, 187, 187, 187, 187, 187, 187, 187, 27, 27, 17, 30, 225, 30,  
225, 238,  
30, 238, 238, 238, 238, 238, 238, 238, 238, 238, 238, 238, 238, 238, 190, 238,  
238, 238, 158,  
226, 238, 238, 235, 238, 190, 231, 187, 123, 187, 187, 187, 59, 235, 190, 235, 238,  
190, 190, 190,  
187, 187, 179, 187, 115, 179, 59, 51, 179, 59, 115, 59, 179, 187, 190, 30, 238, 102,  
111, 102,  
102, 110, 110, 102, 230, 22, 17, 97, 17, 27, 187, 179, 51, 131, 136, 136, 128, 8, 0,  
128,

136, 128, 141, 0, 128, 136, 136, 128, 136, 128, 8, 0, 128, 0, 0, 0, 0, 0, 0, 0,  
0, 0, 128, 0, 128, 0, 8, 8, 216, 136, 136, 136, 8, 128, 128, 136, 0, 0, 0, 0,  
136, 131, 56, 56, 56, 56, 56, 136, 136, 131, 136, 131, 51, 56, 136, 136, 128, 0, 0, 0,  
0, 0, 0, 0, 0, 0, 0, 0, 0, 0, 0, 0, 0, 0, 0, 8, 0, 128, 128, 136,  
136, 51, 51, 51, 51, 136, 136, 136, 128, 128, 8, 0, 0, 128, 0, 208, 0, 0, 208, 0,  
208, 0, 13, 208, 136, 136, 61, 51, 51, 183, 187, 177, 30, 238, 230, 238, 238, 238,  
225, 225,  
238, 17, 187, 27, 187, 179, 179, 51, 51, 51, 59, 238, 102, 102, 102, 102, 102, 102,  
97, 97,  
102, 102, 97, 97, 97, 17, 17, 17, 17, 179, 59, 187, 177, 177, 177, 17, 30, 17, 17, 17,  
235, 17, 30, 17, 187, 27, 17, 27, 27, 187, 187, 27, 187, 187, 187, 187, 187, 187, 187,  
187,  
187, 187, 179, 51, 59, 59, 51, 51, 179, 59, 59, 59, 51, 179, 187, 187, 187, 187, 187,  
187,  
187, 187, 187, 187, 187, 187, 179, 179, 179, 179, 59, 187, 187, 59, 51, 59, 59, 179,  
187, 187,  
187, 187, 187, 177, 177, 187, 187, 177, 187, 177, 177, 17, 187, 30, 17, 27, 225, 238,  
238, 238,  
238, 238, 238, 230, 238, 238, 238, 238, 238, 238, 238, 238, 238, 235, 231, 238, 190,  
190, 238, 238,  
46, 226, 238, 238, 187, 235, 187, 235, 187, 187, 183, 187, 123, 55, 187, 190, 190,  
238, 238, 187,  
235, 235, 187, 59, 59, 59, 51, 51, 51, 51, 51, 59, 59, 59, 235, 190, 238, 230, 230,  
102,  
230, 102, 230, 102, 102, 102, 102, 17, 17, 27, 187, 179, 51, 51, 131, 136, 8, 128, 0,  
8,  
0, 8, 0, 136, 8, 128, 128, 136, 128, 136, 128, 128, 0, 128, 128, 8, 0, 0, 0, 0,  
0, 0, 0, 0, 0, 128, 128, 141, 123, 221, 128, 8, 128, 136, 8, 0, 136, 136, 8, 0,  
136, 56, 131, 131, 131, 136, 136, 136, 136, 136, 51, 51, 131, 136, 136, 128, 0, 0, 0,  
0,  
0, 0, 0, 0, 0, 0, 0, 0, 0, 0, 0, 0, 0, 0, 0, 8, 136, 136,  
51, 51, 51, 51, 136, 136, 136, 0, 8, 0, 128, 8, 0, 0, 0, 0, 0, 0, 0, 8,



0, 208, 128, 136, 216, 51, 51, 61, 51, 59, 187, 177, 238, 238, 110, 238, 238, 30, 238,  
225,  
17, 177, 187, 187, 187, 59, 51, 179, 51, 51, 190, 46, 102, 102, 102, 102, 102, 102,  
102, 102,  
97, 97, 102, 102, 22, 97, 17, 17, 27, 59, 187, 187, 27, 17, 17, 30, 17, 225, 238, 30,  
30, 225, 177, 190, 225, 30, 177, 177, 177, 17, 27, 177, 177, 187, 187, 187, 187, 187,  
187, 187,  
187, 187, 187, 187, 187, 187, 187, 187, 187, 187, 187, 179, 187, 187, 179, 179, 187,  
179, 187, 187,  
179, 187, 187, 179, 179, 179, 59, 59, 59, 187, 179, 187, 59, 179, 187, 187, 187, 187,  
187, 187,  
187, 177, 177, 187, 27, 17, 17, 187, 177, 27, 187, 187, 30, 187, 225, 238, 238, 238,  
238, 238,  
238, 238, 238, 238, 46, 238, 238, 238, 238, 238, 238, 238, 238, 238, 238, 190, 238,  
238, 238, 238,  
238, 46, 238, 238, 238, 190, 235, 187, 187, 187, 59, 59, 187, 187, 187, 187, 187,  
235, 235, 238,  
187, 187, 187, 183, 59, 51, 179, 51, 51, 51, 51, 51, 59, 187, 59, 190, 190, 238, 230,  
102,  
102, 110, 102, 22, 102, 97, 97, 102, 17, 17, 27, 187, 179, 51, 56, 136, 136, 8, 8, 0,  
0, 128, 8, 8, 128, 8, 8, 128, 136, 128, 136, 8, 0, 0, 0, 0, 0, 0, 0, 0,  
0, 0, 0, 8, 0, 0, 0, 219, 167, 221, 128, 128, 136, 128, 128, 136, 0, 0, 128, 8,  
51, 131, 56, 136, 56, 136, 136, 136, 131, 56, 56, 131, 136, 136, 136, 0, 8, 0, 0, 0,  
0, 0, 0, 0, 0, 0, 0, 0, 0, 0, 0, 0, 0, 0, 0, 128, 136, 128, 136, 131,  
51, 51, 51, 56, 56, 136, 0, 136, 0, 8, 0, 0, 0, 0, 0, 0, 208, 13, 0, 0,  
0, 8, 208, 136, 136, 136, 56, 51, 51, 51, 187, 17, 238, 238, 238, 238, 238, 225, 225,  
17,  
27, 27, 177, 187, 59, 59, 51, 51, 59, 59, 238, 226, 102, 102, 102, 102, 102, 102, 102,  
102,  
102, 102, 97, 97, 97, 102, 102, 17, 27, 179, 187, 177, 177, 17, 30, 30, 238, 30, 30,  
225,  
225, 30, 238, 235, 17, 177, 225, 238, 27, 27, 30, 17, 187, 17, 177, 177, 177, 177,  
177, 177,

187, 187, 187, 27, 187, 187, 187, 187, 187, 187, 187, 187, 187, 187, 187, 187,  
187, 187, 187,  
187, 187, 187, 187, 187, 187, 187, 187, 187, 187, 187, 187, 187, 187, 187, 187,  
187, 187, 187,  
177, 187, 17, 17, 17, 17, 177, 17, 235, 177, 30, 30, 27, 238, 190, 238, 238, 238, 238,  
238,  
238, 226, 226, 238, 230, 46, 238, 238, 238, 238, 238, 238, 238, 238, 190, 235, 235,  
231, 238, 238,  
238, 226, 238, 238, 190, 235, 190, 187, 187, 183, 179, 187, 187, 187, 187, 123, 235,  
190, 238, 190,  
190, 183, 187, 179, 179, 179, 51, 115, 51, 51, 51, 51, 51, 51, 187, 187, 190, 30, 238,  
230,  
102, 102, 230, 110, 22, 102, 102, 17, 97, 17, 27, 187, 179, 51, 56, 56, 136, 136, 0,  
128,  
128, 8, 0, 0, 8, 128, 128, 8, 8, 8, 8, 0, 128, 8, 8, 0, 0, 0, 0, 0,  
0, 8, 0, 0, 0, 0, 8, 141, 219, 216, 8, 8, 0, 8, 136, 128, 136, 128, 8, 0,  
136, 136, 136, 136, 136, 136, 136, 136, 136, 51, 51, 56, 136, 136, 0, 0, 0, 0, 0, 0,  
0, 0, 0, 0, 0, 0, 0, 0, 0, 0, 0, 0, 0, 0, 8, 0, 136, 136, 51,  
51, 51, 51, 136, 136, 0, 128, 0, 128, 0, 0, 128, 0, 0, 0, 0, 0, 0, 0, 0,  
208, 128, 216, 136, 131, 51, 131, 51, 51, 59, 177, 30, 238, 238, 238, 238, 17, 225,  
17, 17,  
27, 187, 187, 179, 179, 51, 51, 51, 51, 190, 34, 38, 111, 255, 102, 102, 102, 102,  
102, 102,  
102, 102, 102, 102, 102, 22, 22, 97, 27, 59, 187, 27, 17, 17, 225, 238, 238, 238, 238,  
238,  
238, 238, 235, 238, 30, 238, 190, 187, 238, 190, 190, 190, 238, 187, 235, 235, 27,  
17, 27, 27,  
27, 27, 27, 187, 27, 27, 27, 177, 187, 187, 187, 187, 27, 27, 187, 187, 187, 187, 187,  
187,  
187, 187, 187, 187, 187, 187, 187, 187, 187, 187, 187, 187, 187, 187, 177, 187, 17,  
177, 17, 17,  
27, 17, 27, 17, 17, 17, 235, 235, 190, 225, 187, 187, 238, 190, 238, 190, 238, 238,  
238, 226,

238, 238, 238, 46, 46, 238, 46, 238, 238, 46, 238, 233, 238, 238, 190, 126, 190,  
238, 238,  
238, 238, 46, 238, 235, 190, 187, 123, 183, 179, 187, 179, 51, 59, 179, 187, 62, 187,  
190, 235,  
235, 187, 187, 187, 179, 187, 51, 51, 51, 51, 51, 51, 51, 51, 187, 187, 177, 238,  
238,  
110, 110, 110, 230, 97, 22, 102, 102, 97, 97, 17, 27, 187, 179, 51, 131, 136, 136,  
136, 0,  
8, 0, 8, 8, 128, 8, 8, 128, 136, 136, 8, 136, 8, 0, 0, 0, 0, 0, 0,  
0, 0, 0, 0, 8, 0, 13, 221, 216, 0, 128, 136, 128, 0, 8, 0, 0, 128, 128,  
131, 131, 136, 136, 136, 136, 136, 131, 51, 56, 136, 136, 136, 8, 0, 0, 0, 0, 0,  
0, 0, 0, 0, 0, 0, 0, 0, 0, 0, 0, 0, 8, 0, 136, 136, 51, 51,  
51, 56, 136, 136, 0, 136, 8, 0, 0, 0, 128, 0, 0, 0, 0, 208, 0, 0, 0, 208,  
8, 8, 8, 136, 56, 131, 51, 51, 51, 187, 27, 238, 238, 238, 238, 17, 225, 238, 17, 27,  
187, 187, 179, 179, 179, 59, 51, 59, 59, 238, 230, 102, 255, 111, 246, 102, 102, 102,  
102, 102,  
102, 102, 102, 102, 102, 102, 97, 17, 187, 187, 177, 177, 17, 225, 238, 238, 238,  
238, 238, 238,  
238, 238, 238, 238, 235, 238, 238, 238, 235, 238, 235, 235, 187, 238, 190, 190, 30,  
177, 238, 190,  
17, 27, 177, 27, 177, 187, 177, 187, 17, 17, 27, 27, 187, 187, 27, 27, 17, 177, 177,  
177,  
177, 17, 17, 177, 177, 187, 187, 187, 27, 187, 177, 177, 177, 177, 187, 17, 187, 27,  
187, 187,  
177, 27, 30, 225, 238, 30, 238, 30, 235, 190, 238, 238, 190, 238, 238, 238, 238, 238,  
226, 238,  
226, 226, 238, 230, 230, 38, 238, 238, 238, 238, 46, 238, 238, 238, 235, 238, 235,  
238, 190, 235,  
238, 238, 226, 238, 238, 235, 190, 187, 187, 187, 59, 59, 187, 115, 59, 187, 187,  
190, 190, 190,  
126, 190, 190, 187, 187, 51, 59, 51, 51, 51, 51, 51, 51, 51, 51, 51, 187, 187, 190,  
238,

230, 102, 102, 97, 102, 97, 102, 97, 97, 17, 17, 27, 187, 179, 51, 51, 131, 136, 128,  
136,  
0, 0, 0, 0, 0, 128, 128, 8, 0, 8, 128, 8, 0, 136, 8, 8, 0, 0, 0, 0,  
0, 0, 0, 0, 0, 0, 0, 0, 128, 0, 8, 0, 0, 8, 136, 128, 136, 136, 0, 8,  
136, 136, 136, 136, 136, 136, 136, 136, 56, 131, 131, 136, 136, 0, 0, 0, 0, 0, 0, 0, 0,  
0, 0, 0, 0, 0, 0, 0, 0, 0, 0, 0, 0, 0, 0, 0, 136, 136, 136, 56, 51,  
51, 136, 136, 0, 136, 0, 0, 0, 8, 0, 0, 0, 0, 0, 0, 0, 0, 13, 0, 0, 13,  
0, 216, 136, 131, 131, 131, 211, 51, 59, 187, 30, 238, 238, 238, 17, 238, 30, 17, 27,  
177,  
187, 187, 59, 51, 51, 51, 51, 179, 190, 41, 34, 255, 255, 255, 255, 102, 102, 102,  
102, 102,  
102, 102, 102, 102, 102, 102, 102, 17, 187, 187, 177, 17, 17, 238, 238, 238, 238,  
238, 238, 238,  
238, 238, 238, 238, 238, 238, 238, 235, 238, 235, 238, 238, 238, 187, 235, 235, 235,  
235, 190, 235,  
235, 238, 235, 225, 225, 30, 17, 17, 187, 187, 17, 190, 17, 225, 177, 17, 187, 27, 27,  
17,  
27, 187, 187, 27, 27, 17, 17, 27, 187, 17, 187, 27, 27, 27, 27, 27, 225, 190, 30, 238,  
235, 238, 235, 238, 30, 235, 235, 235, 238, 235, 190, 190, 235, 235, 235, 238, 238,  
233, 238, 233,  
238, 46, 38, 46, 38, 102, 110, 238, 238, 238, 238, 238, 238, 238, 238, 235, 190, 187,  
235, 238,  
238, 238, 238, 238, 238, 190, 187, 190, 187, 179, 179, 187, 51, 59, 179, 59, 187,  
187, 187, 235,  
190, 235, 187, 187, 59, 187, 51, 51, 51, 51, 51, 51, 51, 51, 51, 51, 51, 59, 187, 187, 30,  
238, 230, 110, 230, 30, 22, 17, 102, 102, 97, 17, 17, 27, 187, 179, 51, 56, 136, 136,  
128,  
128, 128, 0, 128, 8, 0, 0, 0, 136, 0, 8, 128, 136, 0, 128, 0, 0, 0, 0, 0,  
0, 0, 0, 0, 0, 0, 0, 0, 0, 0, 0, 0, 128, 128, 0, 8, 0, 0, 128, 128,  
136, 136, 136, 136, 136, 136, 136, 136, 131, 56, 136, 136, 128, 0, 0, 0, 0, 0, 0, 0, 0,  
0, 0, 0, 0, 0, 0, 0, 0, 0, 0, 0, 0, 8, 8, 8, 136, 131, 51, 56,  
136, 136, 136, 136, 0, 0, 128, 0, 0, 0, 0, 0, 0, 0, 0, 0, 0, 0, 208, 0,

136, 8, 216, 136, 131, 61, 51, 51, 187, 177, 225, 238, 238, 17, 238, 17, 238, 238,  
238, 187,  
187, 179, 179, 51, 51, 51, 51, 187, 233, 102, 255, 255, 255, 255, 255, 102, 102, 102,  
102, 102,  
102, 102, 102, 102, 102, 102, 97, 27, 59, 187, 27, 17, 238, 238, 238, 230, 230, 110,  
110, 110,  
230, 238, 238, 238, 238, 238, 238, 238, 238, 238, 238, 238, 190, 238, 238, 238, 190, 238,  
238, 235, 238,  
190, 187, 190, 190, 190, 177, 177, 235, 238, 238, 177, 235, 235, 190, 235, 30, 190,  
17, 238, 177,  
190, 30, 30, 190, 190, 27, 187, 177, 30, 177, 30, 190, 190, 17, 17, 17, 190, 235, 187,  
187,  
30, 190, 190, 225, 238, 238, 238, 238, 235, 238, 235, 235, 238, 238, 238, 238, 238,  
238, 226, 238,  
46, 230, 230, 230, 230, 98, 98, 238, 238, 226, 238, 46, 238, 238, 238, 190, 231, 238,  
231, 187,  
238, 238, 238, 158, 238, 235, 190, 187, 183, 187, 59, 83, 181, 179, 59, 115, 59, 59,  
187, 190,  
187, 190, 187, 187, 123, 51, 179, 115, 51, 51, 51, 51, 51, 51, 51, 51, 51, 51, 187,  
177,  
30, 238, 230, 102, 110, 97, 102, 22, 22, 22, 97, 17, 27, 187, 179, 51, 51, 56, 136,  
136,  
128, 8, 0, 0, 0, 8, 8, 8, 0, 128, 128, 136, 8, 128, 0, 128, 0, 0, 0, 0,  
0, 0, 0, 0, 0, 0, 0, 0, 0, 128, 8, 0, 8, 8, 0, 136, 136, 8, 0,  
136, 136, 136, 8, 136, 136, 51, 56, 136, 136, 0, 0, 0, 0, 0, 0, 0, 0, 0, 0,  
0, 0, 0, 0, 0, 0, 0, 0, 0, 0, 0, 0, 128, 136, 136, 131, 51, 51, 131,  
136, 128, 0, 0, 0, 128, 0, 0, 0, 0, 0, 0, 0, 0, 0, 208, 0, 0, 0, 13,  
13, 136, 136, 51, 56, 51, 51, 51, 187, 177, 30, 238, 17, 238, 17, 174, 166, 174, 238,  
225,  
187, 179, 51, 51, 51, 51, 187, 238, 150, 34, 47, 255, 255, 255, 255, 255, 102, 102,  
102, 102,  
102, 102, 102, 102, 102, 102, 17, 187, 187, 177, 177, 17, 238, 238, 102, 230, 102,  
230, 102, 110,

102, 230, 238, 238, 238, 238, 238, 238, 238, 238, 238, 238, 190, 190, 190, 238, 235,  
238, 238, 238,  
238, 238, 238, 235, 235, 238, 235, 235, 235, 190, 238, 190, 190, 235, 238, 190, 235,  
235, 177, 238,  
30, 190, 190, 225, 235, 30, 238, 27, 187, 235, 187, 235, 235, 235, 235, 235, 235,  
238, 238, 238,  
235, 238, 238, 238, 238, 238, 238, 238, 238, 235, 238, 238, 190, 238, 238, 238, 233,  
238, 46, 46,  
226, 34, 98, 98, 98, 110, 110, 46, 238, 238, 238, 238, 238, 238, 235, 238, 190, 187,  
190, 238,  
187, 238, 238, 238, 238, 238, 235, 190, 187, 59, 179, 187, 59, 59, 51, 59, 59, 183,  
187, 187,  
235, 235, 238, 187, 187, 187, 59, 51, 51, 51, 51, 61, 61, 221, 221, 211, 51, 51, 179,  
187,  
190, 30, 230, 230, 230, 22, 17, 97, 102, 97, 22, 17, 17, 27, 187, 179, 51, 131, 136,  
136,  
128, 128, 8, 0, 0, 0, 0, 8, 8, 8, 0, 128, 136, 136, 8, 8, 8, 0, 0,  
0, 0, 0, 0, 0, 0, 0, 0, 0, 0, 0, 0, 128, 0, 128, 0, 0, 128, 128,  
128, 136, 8, 136, 136, 136, 136, 136, 136, 0, 8, 0, 0, 0, 0, 0, 0, 0, 0,  
0, 0, 0, 0, 0, 0, 0, 0, 0, 0, 8, 8, 8, 136, 56, 56, 136, 56,  
136, 8, 8, 8, 0, 0, 0, 0, 0, 0, 0, 0, 0, 0, 0, 0, 13, 0, 13, 8,  
128, 136, 136, 136, 131, 211, 51, 59, 187, 17, 238, 17, 238, 17, 174, 42, 148, 34, 70,  
234,  
235, 59, 51, 51, 51, 187, 190, 34, 34, 47, 255, 47, 255, 255, 255, 255, 255, 102, 102,  
102,  
102, 102, 102, 102, 102, 97, 27, 187, 187, 187, 17, 30, 238, 230, 230, 110, 102, 102,  
102, 102,  
102, 110, 102, 110, 110, 238, 238, 238, 238, 238, 238, 238, 238, 238, 238, 190, 238,  
238, 238, 238,  
190, 235, 235, 238, 238, 235, 238, 238, 238, 238, 190, 238, 238, 190, 235, 235, 238,  
238, 238, 190,  
190, 238, 225, 190, 190, 27, 187, 238, 235, 238, 238, 190, 190, 190, 190, 238,  
190, 190, 190,

190, 238, 235, 238, 238, 238, 238, 238, 238, 238, 238, 235, 238, 238, 190, 238, 238, 238,  
233, 226, 226,  
38, 238, 110, 110, 110, 98, 98, 230, 238, 238, 226, 238, 238, 238, 238, 235, 235,  
238, 123, 187,  
238, 190, 238, 238, 226, 235, 187, 187, 187, 187, 59, 51, 51, 51, 53, 51, 179, 51, 59,  
187,  
62, 187, 187, 190, 187, 59, 179, 51, 51, 51, 51, 211, 211, 51, 51, 51, 211, 51, 51,  
187,  
187, 17, 238, 230, 102, 97, 102, 22, 17, 102, 97, 22, 17, 17, 187, 179, 51, 51, 136,  
136,  
136, 8, 0, 0, 208, 0, 0, 8, 0, 0, 0, 128, 128, 0, 8, 0, 128, 0, 128, 0,  
0, 0, 0, 0, 0, 0, 0, 0, 0, 0, 0, 0, 0, 0, 128, 0, 128, 128, 0, 8,  
8, 8, 136, 136, 136, 56, 136, 136, 128, 8, 0, 0, 0, 0, 0, 0, 0, 0, 0, 0,  
0, 0, 0, 0, 0, 0, 0, 0, 0, 0, 0, 0, 136, 136, 131, 131, 131, 136, 128,  
128, 0, 0, 0, 0, 0, 0, 0, 0, 0, 0, 0, 0, 0, 0, 0, 0, 0, 208, 128,  
136, 136, 51, 51, 51, 51, 51, 187, 177, 238, 225, 225, 27, 234, 228, 169, 169, 162,  
98, 47,  
110, 187, 51, 51, 187, 190, 34, 34, 34, 34, 34, 242, 242, 255, 255, 255, 255, 255,  
246, 102,  
102, 102, 102, 102, 102, 97, 187, 187, 177, 17, 17, 238, 230, 110, 102, 102, 102,  
102, 102, 102,  
102, 226, 238, 102, 230, 98, 238, 238, 238, 238, 238, 238, 238, 238, 238, 238, 238,  
238, 238, 238,  
238, 238, 238, 235, 238, 190, 235, 235, 238, 235, 238, 190, 190, 238, 238, 238, 235,  
238, 190, 238,  
238, 190, 190, 238, 238, 190, 238, 187, 238, 190, 190, 238, 238, 238, 235, 238, 190,  
235, 238, 238,  
238, 235, 238, 238, 238, 238, 238, 238, 238, 238, 238, 190, 235, 238, 238, 238, 238,  
238, 238, 46,  
226, 34, 98, 98, 98, 102, 102, 110, 238, 238, 238, 238, 238, 238, 238, 190, 238, 187,  
190, 190,  
59, 235, 238, 238, 238, 238, 238, 187, 183, 187, 179, 179, 179, 51, 59, 51, 51, 59,  
179, 187,

187, 126, 190, 187, 187, 187, 59, 59, 51, 51, 51, 61, 61, 221, 221, 221, 61, 51, 51,  
51,  
187, 187, 30, 238, 230, 22, 17, 97, 97, 22, 22, 97, 17, 17, 187, 187, 179, 51, 51, 136,  
136, 136, 128, 128, 0, 0, 8, 0, 8, 8, 8, 8, 8, 8, 0, 128, 0, 128, 0, 128,  
0, 0, 0, 0, 0, 0, 0, 0, 0, 0, 0, 0, 0, 0, 0, 128, 8, 0, 128, 128,  
136, 128, 136, 136, 131, 136, 136, 128, 0, 0, 0, 0, 0, 0, 0, 0, 0, 0, 0, 0,  
0, 0, 0, 0, 0, 0, 0, 0, 0, 0, 8, 136, 8, 136, 51, 56, 56, 136, 136,  
8, 8, 0, 0, 0, 0, 0, 0, 0, 0, 0, 0, 0, 0, 0, 0, 0, 0, 13, 8,  
216, 216, 136, 136, 211, 131, 59, 59, 17, 17, 30, 17, 238, 226, 74, 68, 68, 148, 34,  
47,  
38, 235, 179, 187, 177, 226, 34, 34, 34, 242, 255, 47, 47, 47, 255, 255, 255, 255,  
255, 255,  
246, 102, 102, 102, 102, 27, 187, 187, 187, 177, 30, 238, 110, 102, 102, 102, 102,  
102, 102, 102,  
38, 110, 102, 102, 46, 110, 98, 226, 226, 226, 238, 238, 238, 238, 238, 238, 238,  
238, 238, 238,  
238, 238, 190, 238, 238, 238, 238, 238, 235, 238, 238, 238, 238, 235, 238, 190, 238,  
190, 238, 190,  
238, 238, 238, 235, 238, 238, 235, 238, 190, 231, 238, 190, 190, 190, 190, 235, 238,  
238, 235, 238,  
190, 238, 238, 238, 238, 233, 238, 238, 238, 238, 238, 238, 238, 231, 238, 238, 233,  
233, 233, 233,  
38, 230, 46, 46, 102, 226, 102, 34, 110, 238, 238, 238, 238, 238, 238, 235, 187, 235,  
187, 235,  
231, 190, 187, 238, 238, 238, 235, 235, 187, 187, 179, 115, 51, 53, 51, 51, 51, 51,  
59, 51,  
187, 187, 187, 235, 190, 59, 179, 179, 51, 51, 51, 61, 51, 211, 211, 61, 61, 221, 211,  
51,  
51, 187, 177, 17, 238, 102, 102, 17, 22, 17, 97, 102, 22, 17, 17, 187, 187, 51, 51, 56,  
136, 136, 8, 8, 128, 128, 0, 0, 0, 0, 0, 0, 128, 128, 128, 8, 128, 8, 0, 0,  
0, 0, 0, 0, 0, 0, 0, 0, 0, 0, 0, 0, 0, 0, 0, 0, 8, 0,  
128, 136, 136, 131, 136, 136, 128, 0, 0, 0, 0, 0, 0, 0, 0, 0, 0, 0, 0,  
0, 0, 0, 0, 0, 0, 0, 0, 0, 0, 8, 136, 51, 136, 136, 136, 128, 0,



0, 0, 0, 0, 0, 0, 0, 0, 0, 0, 0, 0, 0, 0, 0, 0, 208, 128, 136,  
216, 131, 131, 51, 51, 51, 59, 177, 17, 238, 17, 27, 183, 170, 36, 74, 68, 169, 34, 34,  
242, 241, 59, 190, 226, 34, 34, 34, 34, 34, 34, 47, 47, 242, 47, 47, 255, 255, 255,  
255,  
255, 255, 102, 102, 97, 187, 187, 59, 177, 17, 225, 230, 230, 102, 102, 102, 102,  
111, 111, 38,  
230, 46, 102, 102, 230, 46, 110, 110, 238, 238, 238, 238, 238, 238, 238, 238, 238,  
238, 238, 238,  
238, 238, 238, 238, 238, 238, 238, 238, 238, 238, 238, 238, 190, 238, 238, 238, 238,  
238, 238, 238,  
190, 238, 238, 238, 238, 238, 238, 235, 238, 190, 235, 235, 238, 235, 238, 238, 238,  
238, 238, 238,  
238, 190, 238, 238, 233, 238, 233, 226, 238, 238, 238, 238, 235, 238, 238, 238, 238,  
238, 46, 238,  
98, 34, 226, 226, 98, 110, 98, 238, 102, 238, 238, 238, 238, 238, 238, 235, 190,  
123, 187,  
187, 235, 238, 190, 238, 238, 238, 187, 187, 187, 187, 51, 179, 59, 51, 51, 51, 51,  
51, 115,  
187, 187, 190, 190, 187, 187, 187, 51, 51, 51, 51, 61, 221, 61, 221, 221, 211, 51, 61,  
51,  
51, 59, 187, 17, 238, 225, 97, 102, 17, 22, 22, 17, 97, 17, 17, 187, 187, 179, 51, 51,  
131, 136, 136, 128, 128, 0, 0, 128, 128, 128, 128, 0, 0, 0, 8, 0, 8, 0, 128, 0,  
0, 0, 0, 0, 0, 0, 0, 0, 0, 0, 0, 0, 0, 0, 0, 0, 0, 8,  
136, 136, 136, 136, 136, 128, 8, 0, 0, 0, 0, 0, 0, 0, 0, 0, 0, 0,  
0, 0, 0, 0, 0, 0, 0, 0, 0, 8, 8, 136, 131, 136, 56, 56, 128, 8, 0,  
128, 0, 0, 0, 0, 0, 0, 0, 0, 0, 0, 0, 0, 0, 0, 8, 8, 136,  
136, 141, 56, 211, 211, 51, 187, 177, 30, 17, 17, 30, 238, 36, 164, 164, 68, 68, 66,  
47,  
47, 255, 238, 98, 34, 34, 34, 34, 47, 47, 47, 34, 34, 34, 242, 255, 47, 255, 255, 255,  
255, 255, 255, 241, 27, 179, 59, 187, 177, 17, 238, 110, 102, 102, 102, 246, 255,  
246, 246, 98,  
102, 102, 102, 102, 102, 230, 46, 110, 98, 226, 238, 226, 238, 238, 238, 238, 238,  
238, 233, 238,

238, 238, 238, 238, 238, 238, 235, 238, 238, 238, 238, 190, 238, 238, 235, 238, 238,  
238, 190, 238,  
238, 238, 235, 238, 238, 126, 238, 126, 190, 238, 238, 238, 238, 238, 235, 235, 235,  
235, 238, 190,  
238, 238, 238, 238, 238, 238, 238, 238, 238, 238, 238, 238, 238, 238, 238, 238, 238,  
158, 238, 146,  
46, 102, 46, 46, 102, 98, 110, 34, 110, 238, 238, 238, 238, 238, 235, 235, 235, 235,  
190, 187,  
123, 187, 187, 235, 238, 238, 238, 238, 187, 187, 179, 187, 51, 83, 51, 51, 51, 51,  
51, 51,  
51, 187, 187, 187, 235, 187, 179, 187, 115, 51, 51, 51, 211, 211, 221, 61, 221, 221,  
211, 221,  
51, 51, 59, 187, 17, 230, 22, 22, 97, 97, 17, 102, 22, 97, 17, 17, 187, 187, 51, 51,  
56, 131, 136, 136, 136, 128, 208, 0, 0, 0, 0, 128, 8, 8, 0, 8, 128, 128, 0, 128,  
0,  
136, 136, 56, 136, 128, 0, 0, 0, 0, 0, 0, 0, 0, 0, 0, 0, 0, 0, 0,  
0, 0, 0, 0, 0, 0, 0, 0, 0, 0, 136, 136, 56, 56, 136, 136, 8, 0, 0,  
0, 0, 0, 0, 0, 0, 0, 0, 0, 0, 0, 0, 0, 0, 0, 8, 0, 136, 136,  
136, 56, 131, 56, 51, 59, 187, 17, 17, 17, 27, 187, 114, 169, 68, 68, 68, 73, 36, 34,  
242, 255, 255, 34, 34, 34, 34, 47, 34, 34, 34, 47, 47, 47, 34, 34, 242, 47, 255, 255,  
255, 255, 255, 17, 179, 187, 179, 177, 17, 17, 238, 230, 102, 102, 255, 111, 102, 98,  
111, 102,  
38, 98, 98, 102, 38, 38, 226, 226, 238, 110, 102, 238, 238, 238, 238, 238, 158, 226,  
238, 238,  
238, 238, 238, 238, 238, 238, 238, 238, 190, 238, 238, 238, 238, 238, 238, 238, 235,  
238, 238, 238,  
238, 238, 238, 238, 238, 238, 238, 238, 235, 235, 238, 190, 235, 235, 238, 238, 238,  
238, 238, 238,  
238, 238, 238, 238, 233, 226, 226, 238, 46, 238, 238, 238, 238, 235, 238, 238, 238,  
238, 158, 238,  
98, 34, 98, 98, 102, 110, 38, 110, 98, 238, 225, 30, 238, 238, 238, 238, 238, 231,  
235, 190,

187, 190, 190, 55, 190, 238, 238, 235, 187, 187, 59, 51, 51, 179, 51, 51, 51, 51, 51,  
51,  
59, 51, 187, 187, 187, 235, 187, 179, 51, 179, 51, 51, 211, 221, 61, 221, 211, 221,  
221, 211,  
221, 51, 51, 187, 177, 17, 238, 97, 22, 17, 17, 17, 97, 102, 17, 17, 27, 187, 179, 51,  
51, 56, 56, 136, 216, 216, 8, 13, 8, 8, 0, 0, 0, 0, 8, 0, 0, 8, 8, 8,  
8, 0, 0, 0, 0, 0, 0, 0, 0, 0, 0, 0, 0, 0, 0, 0, 0, 0, 0, 0,  
136, 56, 136, 128, 0, 0, 0, 0, 0, 0, 0, 0, 0, 0, 0, 0, 0, 0, 0,  
0, 0, 0, 0, 0, 0, 0, 0, 8, 136, 136, 136, 136, 136, 136, 128, 0, 0, 8,  
0, 0, 0, 0, 0, 0, 0, 0, 0, 0, 0, 0, 0, 0, 0, 0, 136, 128, 141,  
136, 131, 56, 51, 51, 59, 177, 30, 17, 235, 177, 190, 230, 74, 74, 68, 68, 68, 146, 34,  
47, 47, 34, 47, 47, 47, 47, 34, 34, 242, 242, 34, 34, 34, 47, 47, 34, 242, 34, 242,  
255, 255, 241, 179, 187, 59, 187, 187, 177, 30, 238, 102, 102, 111, 102, 246, 255,  
246, 255, 38,  
98, 102, 102, 102, 226, 226, 110, 110, 102, 102, 238, 238, 238, 46, 238, 238, 238,  
238, 238, 238,  
46, 238, 238, 238, 238, 238, 238, 238, 238, 238, 238, 238, 238, 238, 238, 238,  
238, 238, 238,  
238, 238, 238, 238, 238, 238, 238, 190, 190, 126, 190, 238, 190, 238, 238, 190, 126,  
238, 231, 238,  
235, 238, 238, 238, 238, 238, 46, 46, 238, 46, 238, 238, 235, 238, 238, 238, 238,  
158, 226, 34,  
38, 102, 38, 38, 38, 38, 230, 38, 110, 110, 238, 190, 238, 238, 235, 235, 231, 158,  
126, 179,  
190, 187, 187, 235, 235, 238, 238, 238, 235, 187, 187, 183, 59, 51, 51, 51, 51, 51,  
51, 51,  
51, 51, 115, 187, 235, 187, 187, 187, 179, 59, 51, 51, 61, 61, 221, 61, 221, 216, 211,  
221,  
211, 211, 51, 59, 187, 17, 30, 22, 97, 97, 22, 17, 22, 17, 97, 17, 17, 187, 187, 51,  
51, 51, 221, 61, 141, 141, 141, 128, 0, 0, 0, 8, 0, 0, 0, 8, 0, 128, 0, 0,  
0, 8, 0, 0, 0, 0, 0, 0, 0, 0, 0, 0, 0, 0, 0, 0, 0, 0, 0, 0,  
136, 136, 128, 0, 0, 0, 0, 0, 0, 0, 0, 0, 0, 0, 0, 0, 0, 0, 0,  
0, 0, 0, 0, 0, 0, 0, 0, 8, 8, 136, 56, 56, 136, 128, 8, 8, 0, 0,

0, 0, 0, 0, 0, 0, 0, 0, 0, 0, 0, 0, 0, 0, 0, 8, 136, 8, 136, 136,  
136, 56, 131, 131, 51, 187, 177, 225, 17, 177, 27, 17, 169, 105, 36, 68, 74, 68, 146,  
34,  
242, 255, 47, 34, 34, 34, 34, 34, 242, 34, 34, 242, 242, 242, 34, 34, 47, 34, 242, 47,  
47, 246, 179, 51, 59, 179, 187, 177, 17, 225, 102, 230, 111, 102, 255, 111, 102, 255,  
98, 111,  
102, 98, 102, 34, 102, 46, 98, 102, 38, 102, 102, 46, 238, 238, 226, 238, 238, 46, 46,  
46,  
238, 238, 238, 238, 238, 238, 238, 238, 238, 238, 238, 238, 238, 238, 238, 238, 238,  
238, 238, 238,  
238, 238, 238, 238, 235, 238, 235, 235, 238, 238, 238, 190, 238, 231, 190, 238, 235,  
238, 238, 238,  
238, 238, 238, 238, 238, 233, 238, 226, 238, 238, 238, 238, 238, 238, 231, 238, 238,  
238, 238, 238,  
226, 34, 102, 102, 102, 226, 102, 102, 98, 238, 225, 238, 190, 238, 238, 190, 238,  
126, 235, 235,  
187, 187, 123, 187, 190, 190, 238, 238, 190, 187, 59, 51, 51, 51, 51, 51, 51, 51, 51,  
51,  
51, 51, 59, 59, 59, 235, 187, 179, 187, 51, 51, 51, 61, 211, 221, 221, 61, 136, 141,  
136,  
141, 141, 51, 51, 59, 187, 17, 30, 97, 22, 17, 17, 17, 97, 22, 17, 17, 27, 187, 187,  
179, 51, 51, 211, 61, 141, 216, 136, 216, 208, 128, 0, 0, 128, 8, 0, 128, 0, 8, 0,  
128, 0, 8, 0, 0, 0, 0, 0, 0, 0, 0, 0, 0, 0, 0, 0, 0, 0, 0, 0,  
136, 128, 0, 0, 0, 0, 0, 0, 0, 0, 0, 0, 0, 0, 0, 0, 0, 0, 0, 0,  
0, 0, 0, 0, 0, 0, 0, 0, 136, 136, 136, 136, 136, 136, 8, 0, 0, 0, 0,  
0, 0, 0, 0, 0, 0, 0, 0, 0, 0, 0, 0, 0, 0, 0, 0, 128, 136, 136,  
56, 131, 56, 51, 59, 187, 30, 177, 27, 27, 187, 190, 230, 74, 68, 68, 68, 153, 66, 34,  
255, 47, 34, 34, 242, 242, 34, 242, 34, 34, 34, 34, 34, 242, 242, 34, 34, 47, 47,  
246, 27, 51, 187, 179, 187, 187, 177, 17, 238, 230, 102, 102, 255, 246, 255, 47, 255,  
246, 38,  
242, 102, 38, 102, 38, 98, 110, 102, 230, 102, 238, 238, 238, 238, 238, 238, 46, 238,  
238, 238,

238, 238, 238, 238, 238, 238, 238, 238, 238, 238, 238, 238, 235, 238, 238, 190, 238, 238,  
238, 238, 238,  
238, 238, 238, 238, 238, 235, 238, 238, 123, 190, 190, 238, 235, 238, 238, 190, 238,  
238, 235, 238,  
238, 238, 238, 238, 233, 238, 226, 238, 46, 46, 238, 238, 238, 190, 190, 190, 238,  
238, 158, 34,  
38, 102, 34, 111, 98, 102, 102, 102, 110, 46, 238, 177, 238, 238, 235, 238, 190, 238,  
235, 187,  
227, 187, 187, 183, 187, 235, 238, 238, 235, 187, 179, 187, 179, 51, 51, 51, 61, 211,  
211, 51,  
51, 51, 51, 59, 187, 187, 235, 183, 59, 179, 51, 51, 61, 61, 61, 221, 216, 216, 141,  
136,  
216, 136, 136, 131, 51, 59, 177, 17, 22, 97, 97, 17, 17, 17, 97, 97, 17, 17, 187, 187,  
187, 59, 51, 51, 211, 211, 221, 216, 128, 8, 13, 0, 0, 0, 0, 0, 0, 128, 0, 128,  
0, 128, 0, 0, 0, 0, 0, 0, 0, 0, 0, 0, 0, 0, 0, 0, 0, 0, 0, 0,  
128, 8, 0, 0, 0, 0, 0, 0, 0, 0, 0, 0, 0, 0, 0, 0, 0, 0,  
0, 0, 0, 0, 0, 0, 0, 0, 136, 8, 136, 56, 136, 128, 0, 0, 0, 0, 0, 0,  
0, 0, 0, 0, 0, 0, 0, 0, 0, 0, 0, 0, 0, 0, 8, 128, 136, 136, 136,  
131, 56, 51, 51, 187, 177, 17, 17, 177, 187, 177, 177, 169, 233, 34, 36, 36, 73, 34,  
34,  
34, 255, 242, 242, 34, 34, 242, 34, 242, 242, 242, 242, 47, 34, 34, 34, 242, 242, 242,  
246,  
27, 51, 51, 51, 59, 187, 59, 17, 30, 22, 102, 102, 255, 111, 111, 102, 111, 98, 98, 98,  
102, 102, 102, 38, 98, 46, 38, 98, 102, 102, 230, 238, 46, 226, 238, 238, 238, 46, 46,  
46,  
238, 238, 238, 238, 238, 238, 238, 190, 238, 190, 238, 238, 238, 238, 238, 238, 238,  
190, 238, 235,  
238, 238, 238, 238, 190, 238, 231, 187, 238, 235, 235, 123, 238, 190, 190, 235, 238,  
190, 238, 238,  
190, 238, 126, 238, 238, 238, 158, 46, 230, 238, 238, 238, 238, 238, 238, 238, 238,  
238, 233, 238,  
226, 34, 102, 38, 102, 102, 102, 102, 102, 102, 238, 225, 190, 190, 190, 235, 238,  
187, 187, 187,

187, 123, 59, 187, 190, 190, 187, 238, 238, 235, 187, 51, 51, 51, 51, 51, 51, 61, 61,  
221,  
211, 51, 51, 51, 59, 187, 187, 187, 187, 59, 51, 51, 61, 61, 211, 211, 216, 136, 136,  
221,  
136, 136, 131, 131, 51, 51, 187, 177, 17, 22, 22, 17, 17, 17, 17, 22, 22, 17, 17, 187,  
187, 189, 183, 51, 51, 211, 51, 221, 136, 128, 0, 13, 0, 0, 0, 0, 0, 128, 0,  
128, 8, 8, 0, 0, 0, 0, 0, 0, 0, 0, 0, 0, 0, 0, 0, 0, 0, 0, 0,  
0, 0, 0, 0, 0, 0, 0, 0, 0, 0, 0, 0, 0, 0, 0, 0, 0, 0, 0,  
0, 0, 0, 0, 0, 0, 8, 8, 136, 136, 136, 136, 8, 0, 128, 0, 0, 0, 0,  
0, 0, 0, 0, 0, 0, 0, 0, 0, 0, 0, 0, 0, 128, 136, 136, 136, 131,  
136, 131, 131, 59, 187, 177, 17, 27, 187, 187, 187, 27, 102, 34, 36, 36, 153, 34, 34,  
47,  
255, 34, 34, 34, 47, 34, 47, 34, 34, 34, 34, 47, 34, 47, 47, 34, 47, 47, 246, 179,  
51, 51, 59, 187, 187, 59, 177, 177, 30, 238, 102, 102, 246, 255, 255, 34, 47, 38, 38,  
38,  
47, 47, 38, 98, 102, 98, 102, 102, 102, 102, 110, 110, 238, 238, 238, 46, 226, 230,  
230, 238,  
230, 238, 238, 238, 238, 238, 238, 238, 238, 238, 235, 238, 238, 190, 238, 190, 190,  
238, 190, 238,  
238, 238, 238, 238, 238, 190, 190, 238, 187, 235, 238, 238, 190, 238, 235, 238, 190,  
238, 190, 126,  
238, 190, 238, 238, 238, 158, 238, 38, 46, 110, 238, 238, 238, 190, 190, 190, 238,  
238, 238, 238,  
158, 102, 38, 111, 38, 102, 102, 102, 102, 102, 238, 225, 235, 238, 238, 190, 187,  
238, 187, 187,  
187, 187, 187, 187, 179, 187, 235, 238, 238, 190, 187, 187, 179, 51, 51, 51, 61, 211,  
211, 51,  
61, 221, 51, 51, 179, 187, 187, 187, 187, 179, 179, 51, 51, 211, 221, 221, 216, 216,  
216, 128,  
136, 8, 141, 141, 136, 51, 51, 187, 17, 17, 97, 22, 17, 17, 22, 17, 97, 17, 17, 17,  
187, 177, 179, 187, 219, 61, 221, 61, 221, 141, 136, 0, 8, 0, 0, 0, 0, 0, 0,  
0, 0, 0, 8, 0, 0, 0, 0, 0, 0, 0, 0, 0, 0, 0, 0, 0, 0, 0,  
0, 0, 0, 0, 0, 0, 0, 0, 0, 0, 0, 0, 0, 0, 0, 0, 0, 0, 0,

0, 0, 0, 0, 0, 0, 0, 128, 136, 136, 136, 136, 128, 0, 0, 0, 0, 0, 0, 0,  
0, 0, 0, 0, 0, 0, 0, 0, 0, 0, 0, 0, 0, 8, 8, 8, 8, 136, 136,  
51, 51, 51, 179, 177, 17, 17, 177, 187, 187, 187, 177, 226, 162, 38, 34, 36, 34, 34,  
242,  
47, 255, 255, 255, 34, 242, 34, 47, 34, 47, 34, 34, 34, 242, 34, 255, 255, 225, 179,  
51,  
51, 51, 51, 187, 59, 187, 187, 17, 238, 230, 102, 102, 111, 111, 111, 242, 34, 98,  
255, 111,  
102, 102, 98, 102, 34, 102, 102, 102, 38, 102, 238, 238, 238, 238, 238, 238,  
110, 46, 230,  
238, 238, 238, 238, 238, 238, 238, 190, 235, 238, 238, 238, 190, 238, 238, 238, 235,  
238, 238, 190,  
238, 238, 238, 235, 238, 235, 235, 235, 190, 190, 187, 235, 235, 235, 238, 190, 190,  
190, 238, 235,  
238, 238, 190, 238, 238, 238, 46, 230, 226, 226, 238, 238, 238, 235, 238, 238, 190,  
238, 238, 158,  
230, 38, 34, 38, 111, 98, 102, 102, 230, 102, 110, 225, 190, 187, 238, 238, 190, 187,  
235, 187,  
187, 59, 179, 187, 123, 187, 190, 190, 238, 235, 187, 59, 59, 51, 51, 51, 61, 61, 61,  
221,  
211, 51, 221, 51, 51, 51, 187, 187, 187, 59, 51, 51, 51, 211, 61, 61, 221, 136, 128,  
136,  
8, 136, 128, 136, 136, 56, 51, 59, 177, 17, 22, 97, 17, 17, 17, 17, 22, 22, 17, 17,  
17, 171, 123, 183, 183, 59, 179, 211, 61, 216, 13, 0, 0, 0, 0, 0, 0, 0, 8,  
0, 128, 128, 128, 8, 0, 0, 0, 0, 0, 0, 0, 0, 0, 0, 0, 0, 0,  
0, 0, 0, 221, 0, 0, 0, 0, 0, 0, 0, 0, 0, 0, 0, 0, 0,  
0, 0, 0, 0, 0, 0, 136, 8, 136, 136, 136, 128, 0, 0, 0, 0, 0, 0, 0,  
0, 0, 0, 0, 0, 0, 0, 0, 0, 0, 0, 0, 8, 128, 136, 136, 136, 131,  
136, 131, 131, 187, 177, 17, 187, 187, 187, 187, 187, 187, 226, 47, 34, 34, 47, 34,  
34, 255,  
242, 242, 246, 111, 255, 255, 255, 34, 255, 242, 255, 255, 255, 255, 246, 225, 19,  
51, 61, 51,

51, 51, 187, 59, 187, 187, 177, 17, 238, 102, 102, 111, 255, 255, 255, 34, 34, 47, 47,  
255,  
255, 38, 246, 47, 102, 38, 98, 102, 230, 230, 230, 238, 230, 238, 46, 162, 238, 102,  
230, 110,  
238, 238, 238, 234, 238, 234, 238, 231, 238, 238, 126, 231, 238, 126, 231, 238, 238,  
235, 238, 126,  
231, 238, 126, 238, 235, 238, 126, 126, 123, 238, 126, 126, 231, 238, 126, 238, 235,  
235, 235, 238,  
126, 231, 238, 126, 158, 238, 226, 38, 110, 110, 238, 238, 238, 238, 190, 190, 238,  
238, 238, 238,  
158, 102, 102, 98, 102, 102, 102, 102, 110, 110, 110, 238, 27, 238, 190, 190, 187,  
235, 187, 235,  
187, 179, 187, 59, 59, 187, 187, 187, 238, 190, 235, 187, 51, 51, 51, 51, 51, 211,  
211, 211,  
221, 221, 51, 211, 51, 51, 187, 187, 235, 187, 187, 51, 51, 61, 61, 221, 221, 136,  
136, 136,  
128, 128, 216, 141, 136, 131, 131, 51, 187, 177, 17, 17, 97, 17, 17, 17, 97, 97, 97,  
17,  
161, 187, 187, 187, 179, 189, 55, 61, 211, 221, 128, 216, 0, 0, 0, 0, 0, 0, 0, 0,  
0, 0, 0, 0, 0, 8, 0, 0, 0, 0, 0, 0, 0, 0, 0, 0, 0, 0, 0, 0,  
0, 0, 0, 221, 208, 0, 0, 0, 0, 0, 0, 0, 0, 0, 0, 0, 0, 0, 0,  
0, 0, 0, 0, 0, 8, 136, 136, 136, 128, 8, 0, 0, 0, 0, 0, 0, 0, 0,  
0, 0, 0, 0, 0, 0, 0, 0, 0, 0, 0, 8, 0, 136, 136, 136, 131, 136,  
51, 51, 59, 187, 17, 27, 17, 187, 187, 187, 187, 187, 182, 47, 47, 34, 34, 47, 255, 34,  
255, 47, 19, 179, 187, 238, 102, 111, 255, 246, 255, 102, 225, 27, 51, 61, 211, 61,  
51, 131,  
51, 51, 51, 179, 179, 187, 177, 17, 238, 230, 102, 246, 246, 246, 246, 242, 34, 111,  
98, 111,  
102, 98, 98, 111, 242, 111, 102, 98, 102, 110, 238, 238, 238, 233, 204, 204, 78, 230,  
238, 238,  
238, 238, 164, 204, 204, 204, 204, 204, 204, 234, 204, 204, 204, 204, 204, 204, 174,  
190, 172, 204,



204, 204, 204, 170, 238, 187, 76, 204, 71, 172, 204, 204, 204, 204, 204, 202, 126,  
190, 190, 124,  
204, 204, 204, 204, 204, 230, 110, 226, 102, 110, 110, 238, 235, 235, 235, 235, 123,  
238, 238, 238,  
238, 38, 34, 38, 38, 246, 102, 102, 230, 230, 102, 238, 177, 187, 235, 238, 235, 190,  
187, 187,  
187, 123, 59, 183, 59, 187, 187, 123, 190, 238, 235, 187, 51, 51, 51, 51, 61, 221,  
221, 61,  
61, 61, 221, 61, 61, 51, 51, 187, 187, 179, 179, 51, 51, 51, 211, 61, 61, 136, 136, 8,  
8, 136, 8, 8, 136, 136, 131, 51, 51, 187, 17, 30, 17, 97, 17, 17, 17, 22, 22, 238,  
17, 26, 26, 187, 123, 183, 189, 59, 221, 61, 216, 0, 8, 0, 0, 0, 0, 0, 0,  
0, 0, 0, 8, 8, 0, 0, 0, 0, 0, 0, 0, 0, 0, 0, 0, 0, 0, 0, 0,  
0, 0, 0, 13, 0, 0, 0, 0, 0, 0, 0, 0, 0, 0, 0, 0, 0, 0, 0, 0,  
0, 0, 0, 0, 0, 8, 128, 136, 136, 128, 8, 0, 0, 0, 0, 0, 0, 0, 0, 0,  
0, 0, 0, 0, 0, 0, 0, 0, 0, 0, 0, 0, 0, 136, 8, 8, 136, 56, 51,  
131, 51, 59, 187, 27, 17, 187, 177, 187, 187, 179, 51, 190, 47, 242, 255, 255, 242,  
47, 255,  
47, 255, 179, 131, 51, 51, 187, 51, 51, 51, 61, 61, 51, 221, 61, 51, 56, 56, 131, 51,  
51, 59, 187, 187, 59, 187, 17, 30, 230, 102, 111, 111, 255, 255, 246, 246, 38, 47,  
246, 38,  
242, 102, 102, 98, 102, 246, 246, 102, 102, 110, 238, 238, 238, 234, 204, 204, 65,  
110, 102, 238,  
238, 234, 204, 204, 204, 204, 204, 204, 204, 20, 204, 204, 204, 204, 204, 204, 204,  
235, 76, 204,  
204, 204, 204, 204, 206, 238, 124, 204, 206, 172, 204, 204, 204, 204, 204, 204, 71,  
17, 116, 204,  
204, 204, 204, 204, 204, 238, 230, 110, 102, 102, 238, 238, 238, 190, 190, 190, 238,  
190, 238, 238,  
158, 226, 226, 102, 246, 102, 102, 110, 110, 110, 238, 238, 235, 27, 190, 187, 190,  
187, 235, 187,  
187, 51, 179, 51, 187, 59, 187, 187, 235, 238, 190, 187, 187, 59, 51, 51, 51, 51, 211,  
221,

221, 211, 211, 211, 211, 51, 51, 59, 187, 187, 187, 179, 51, 51, 61, 221, 221, 221,  
136, 136,  
128, 128, 128, 128, 141, 136, 136, 136, 51, 59, 187, 17, 17, 17, 17, 17, 17, 17, 238,  
166,  
30, 225, 17, 174, 183, 27, 183, 61, 189, 211, 216, 141, 0, 0, 0, 0, 0, 0, 0, 0,  
0, 8, 0, 0, 0, 128, 0, 128, 0, 0, 0, 0, 0, 0, 0, 0, 0, 0, 0, 0, 0,  
0,  
0, 0, 0, 0, 8, 128, 136, 136, 128, 8, 0, 0, 0, 0, 0, 0, 0, 0, 0, 0,  
0, 0, 0, 0, 0, 0, 0, 0, 0, 0, 0, 8, 128, 128, 136, 136, 136, 136, 136,  
51, 51, 187, 17, 17, 187, 187, 187, 187, 187, 51, 51, 59, 98, 255, 47, 47, 47, 242,  
242,  
255, 251, 56, 56, 131, 51, 51, 51, 61, 61, 51, 131, 141, 131, 136, 136, 136, 131, 56,  
56,  
51, 51, 59, 59, 187, 177, 177, 30, 238, 102, 102, 246, 246, 246, 255, 255, 98, 111,  
111, 111,  
102, 111, 98, 246, 47, 102, 102, 102, 102, 238, 238, 238, 238, 230, 204, 204, 193,  
110, 238, 238,  
238, 172, 204, 204, 204, 204, 204, 204, 204, 234, 204, 204, 204, 204, 204, 204, 204,  
174, 172, 204,  
204, 204, 204, 204, 204, 123, 76, 204, 202, 172, 204, 204, 204, 204, 204, 204, 196,  
177, 76, 204,  
204, 204, 204, 204, 204, 110, 230, 102, 102, 110, 238, 238, 225, 235, 235, 235, 190,  
235, 238, 238,  
238, 46, 102, 38, 98, 111, 102, 102, 238, 238, 230, 238, 235, 187, 235, 238, 235,  
235, 187, 187,  
187, 187, 187, 187, 51, 187, 59, 187, 187, 235, 238, 235, 179, 51, 51, 51, 61, 221,  
61, 211,  
221, 221, 221, 221, 61, 211, 51, 51, 59, 187, 179, 59, 51, 51, 51, 61, 61, 61, 136, 8,  
8, 8, 8, 216, 0, 8, 136, 131, 131, 51, 59, 177, 17, 230, 17, 17, 17, 22, 22, 110,  
106, 234, 164, 68, 74, 231, 179, 187, 219, 61, 221, 136, 0, 0, 0, 0, 0, 0, 0, 0,  
0, 0, 0, 0, 0, 0, 128, 0, 0, 0, 0, 0, 0, 0, 0, 0, 0, 0, 0, 0,  
0,  
0, 0, 0, 8, 0, 136, 8, 128, 8, 0, 0, 0, 0, 0, 0, 0, 0, 0, 0, 0, 0,

0, 0, 0, 0, 0, 0, 0, 0, 0, 0, 0, 0, 0, 8, 8, 136, 136, 136, 131, 51,  
131, 59, 187, 27, 177, 187, 187, 27, 187, 179, 51, 51, 51, 22, 34, 242, 242, 255, 47,  
255,  
255, 19, 136, 131, 51, 51, 51, 51, 211, 136, 141, 136, 136, 136, 136, 136, 131, 136,  
131, 51,  
51, 187, 187, 59, 59, 187, 17, 238, 230, 102, 111, 255, 111, 111, 111, 111, 255, 255,  
38, 102,  
38, 246, 38, 111, 111, 246, 38, 102, 102, 238, 238, 238, 238, 234, 204, 204, 78, 238,  
238, 238,  
225, 76, 204, 204, 204, 204, 204, 204, 204, 26, 204, 204, 204, 204, 204, 204, 204,  
206, 172, 204,  
204, 204, 204, 204, 204, 75, 172, 204, 206, 172, 204, 204, 204, 204, 204, 204, 204,  
234, 204, 204,  
204, 204, 204, 204, 204, 238, 110, 102, 102, 226, 238, 238, 225, 190, 187, 190, 187,  
190, 183, 238,  
238, 226, 226, 98, 102, 102, 102, 102, 102, 230, 238, 110, 225, 27, 187, 187, 190,  
187, 235, 235,  
187, 179, 179, 51, 179, 51, 187, 59, 187, 190, 190, 190, 187, 179, 51, 51, 51, 61,  
221, 221,  
221, 221, 221, 61, 211, 221, 211, 51, 59, 187, 187, 179, 179, 51, 61, 51, 221, 216,  
136, 128,  
128, 128, 208, 0, 136, 128, 136, 128, 136, 56, 59, 187, 177, 17, 22, 17, 17, 17, 238,  
238,  
102, 98, 68, 68, 196, 65, 123, 115, 125, 61, 61, 216, 136, 0, 0, 0, 0, 0, 0, 0,  
0, 0, 0, 0, 0, 0, 0, 8, 0, 0, 0, 0, 0, 0, 0, 0, 0, 0, 0,  
0, 0, 0, 0, 0, 0, 0, 0, 0, 0, 0, 0, 0, 0, 0, 0, 0, 0,  
0, 0, 0, 0, 136, 136, 136, 136, 0, 0, 0, 0, 0, 0, 0, 0, 0, 0, 0,  
0, 0, 0, 0, 0, 0, 0, 0, 0, 0, 8, 8, 128, 136, 8, 136, 131, 136, 131,  
51, 187, 177, 17, 27, 187, 187, 187, 179, 51, 51, 56, 51, 49, 111, 255, 255, 47, 242,  
255,  
241, 56, 136, 136, 56, 51, 51, 216, 136, 136, 136, 136, 136, 136, 136, 136, 56, 131,  
56, 51,

59, 59, 59, 187, 187, 177, 17, 238, 102, 102, 246, 255, 255, 246, 255, 255, 255, 246,  
111, 246,  
102, 111, 102, 38, 38, 102, 102, 102, 110, 110, 238, 238, 238, 238, 204, 204, 166,  
230, 238, 238,  
30, 172, 204, 204, 204, 204, 204, 204, 204, 20, 204, 204, 204, 204, 204, 204, 204,  
202, 172, 204,  
204, 204, 204, 204, 204, 206, 204, 204, 202, 108, 204, 204, 204, 204, 204, 204, 204,  
174, 204, 204,  
204, 204, 204, 204, 196, 174, 238, 230, 102, 110, 238, 238, 235, 235, 235, 235, 231,  
235, 238, 238,  
238, 238, 46, 102, 98, 111, 102, 102, 238, 238, 238, 238, 238, 187, 187, 235, 235,  
235, 187, 187,  
123, 59, 59, 55, 59, 59, 59, 187, 187, 187, 235, 235, 187, 51, 51, 51, 61, 211, 211,  
221,  
221, 211, 216, 216, 141, 131, 61, 211, 51, 59, 187, 187, 59, 51, 51, 221, 61, 221,  
216, 136,  
136, 8, 8, 136, 0, 208, 208, 136, 136, 131, 131, 51, 177, 17, 17, 30, 17, 17, 17, 166,  
230, 68, 68, 68, 68, 196, 235, 187, 59, 211, 221, 136, 8, 128, 0, 0, 0, 0, 0, 0,  
0, 0, 0, 0, 0, 8, 0, 0, 0, 13, 0, 0, 0, 0, 0, 0, 0, 0, 0, 0,  
0,  
0, 0, 8, 136, 8, 0, 128, 0, 0, 0, 0, 0, 0, 0, 0, 0, 0, 0, 0, 0,  
0, 0, 0, 0, 0, 0, 0, 0, 0, 0, 0, 128, 8, 136, 136, 136, 56, 51, 51,  
51, 187, 27, 187, 187, 187, 187, 187, 187, 187, 51, 56, 131, 136, 51, 182, 255, 255, 255,  
255, 246,  
19, 136, 136, 56, 51, 51, 56, 56, 136, 136, 136, 136, 136, 136, 136, 136, 136, 56, 51,  
51,  
187, 187, 179, 59, 187, 177, 17, 238, 102, 102, 111, 111, 102, 255, 102, 246, 246,  
255, 246, 98,  
111, 102, 242, 98, 111, 246, 102, 102, 110, 238, 238, 225, 225, 26, 204, 204, 206,  
238, 238, 17,  
17, 204, 204, 196, 17, 17, 28, 204, 204, 26, 204, 204, 161, 27, 17, 204, 204, 206, 76,  
204,

206, 17, 26, 204, 204, 202, 172, 204, 202, 172, 204, 202, 17, 187, 28, 204, 204, 174,  
204, 204,  
206, 177, 177, 177, 27, 225, 238, 230, 102, 230, 230, 238, 30, 187, 190, 187, 187,  
187, 235, 238,  
238, 226, 226, 98, 102, 246, 102, 110, 102, 238, 238, 110, 238, 27, 187, 187, 190,  
187, 235, 187,  
187, 187, 179, 179, 51, 51, 51, 51, 187, 187, 190, 238, 235, 187, 51, 51, 51, 61, 221,  
221,  
61, 216, 136, 221, 136, 141, 141, 61, 51, 51, 179, 187, 179, 51, 51, 51, 61, 51, 136,  
136,  
8, 128, 128, 0, 8, 8, 8, 8, 136, 136, 56, 51, 59, 177, 17, 17, 30, 30, 174, 30,  
175, 68, 68, 68, 76, 68, 167, 183, 51, 61, 51, 221, 128, 0, 128, 0, 0, 0, 0, 0,  
0, 0, 0, 0, 0, 0, 0, 0, 141, 221, 0, 0, 0, 0, 0, 0, 0, 0, 0, 0,  
0,  
0, 0, 128, 8, 136, 136, 8, 0, 0, 0, 0, 0, 0, 0, 0, 0, 0, 0, 0, 0,  
0, 0, 0, 0, 0, 0, 0, 0, 0, 0, 8, 8, 136, 128, 136, 136, 136, 131, 51,  
59, 177, 177, 177, 187, 187, 187, 187, 187, 51, 56, 136, 136, 136, 51, 30, 111, 255,  
254, 19,  
56, 136, 136, 131, 51, 51, 131, 136, 136, 136, 136, 136, 8, 136, 136, 136, 131, 131,  
131, 51,  
59, 59, 187, 187, 187, 17, 30, 230, 230, 255, 246, 246, 246, 102, 255, 255, 255, 111,  
111, 102,  
102, 38, 102, 246, 102, 102, 246, 102, 238, 238, 225, 17, 30, 238, 204, 204, 65, 238,  
225, 225,  
225, 76, 204, 193, 27, 187, 188, 204, 204, 20, 204, 204, 97, 177, 187, 76, 204, 202,  
172, 204,  
202, 27, 177, 76, 204, 202, 76, 204, 206, 172, 204, 202, 27, 187, 186, 204, 204, 106,  
204, 204,  
65, 187, 27, 17, 17, 30, 238, 238, 102, 110, 110, 238, 27, 235, 235, 187, 190, 190,  
183, 187,  
238, 238, 238, 102, 38, 111, 102, 38, 238, 110, 238, 238, 238, 17, 187, 187, 187,  
235, 187, 187,

187, 179, 59, 51, 179, 59, 59, 59, 51, 187, 187, 190, 190, 187, 51, 51, 61, 211, 211,  
221,  
221, 141, 136, 136, 136, 136, 216, 51, 211, 51, 59, 179, 179, 179, 179, 61, 61, 221,  
136, 136,  
128, 136, 8, 136, 0, 128, 128, 128, 128, 136, 136, 51, 51, 59, 17, 30, 225, 225, 17,  
238,  
234, 68, 68, 68, 68, 76, 65, 187, 183, 59, 221, 56, 136, 208, 0, 0, 0, 0, 0, 0,  
0, 0, 0, 0, 0, 0, 0, 0, 13, 61, 0, 0, 0, 0, 0, 0, 0, 0, 0, 0, 0,  
0,  
0, 8, 8, 128, 0, 0, 0, 0, 0, 0, 0, 0, 0, 0, 0, 0, 0, 0, 0, 0, 0,  
0, 0, 0, 0, 0, 0, 0, 0, 0, 8, 8, 136, 128, 136, 136, 56, 56, 56, 51,  
187, 187, 27, 187, 187, 187, 187, 51, 179, 61, 131, 136, 136, 136, 136, 51, 51, 51,  
51, 56,  
216, 136, 131, 51, 51, 56, 136, 136, 136, 136, 136, 8, 136, 13, 136, 131, 131, 131,  
51, 59,  
187, 179, 59, 59, 187, 17, 30, 230, 102, 102, 246, 255, 255, 111, 102, 255, 111, 246,  
246, 111,  
102, 111, 255, 111, 255, 102, 102, 110, 238, 238, 30, 225, 225, 186, 204, 204, 193,  
238, 30, 17,  
17, 204, 204, 206, 17, 17, 28, 204, 204, 26, 204, 204, 174, 174, 234, 172, 204, 206,  
172, 204,  
206, 17, 27, 172, 204, 202, 172, 204, 202, 172, 204, 196, 187, 177, 186, 204, 204,  
174, 204, 204,  
171, 27, 187, 187, 177, 17, 30, 238, 110, 110, 110, 238, 30, 190, 187, 190, 187, 187,  
187, 238,  
238, 238, 226, 230, 98, 246, 246, 110, 110, 238, 238, 238, 238, 17, 187, 187, 187,  
190, 187, 187,  
187, 187, 179, 59, 51, 179, 51, 51, 179, 179, 187, 235, 235, 187, 179, 51, 51, 61, 61,  
61,  
221, 136, 141, 128, 136, 216, 136, 136, 61, 51, 51, 187, 187, 51, 51, 51, 61, 51, 136,  
136,  
136, 0, 128, 0, 128, 8, 0, 128, 8, 136, 8, 136, 51, 59, 187, 17, 30, 30, 238, 161,  
226, 68, 68, 68, 68, 68, 75, 123, 179, 61, 51, 221, 136, 8, 0, 0, 0, 0, 0, 0,

0, 0, 0, 0, 0, 0, 0, 0, 0, 0, 208, 0, 0, 0, 0, 0, 0, 0, 0, 0, 0,  
0,  
8, 0, 136, 8, 136, 8, 0, 0, 0, 0, 0, 0, 0, 0, 0, 0, 0, 0, 0, 0,  
0, 0, 0, 0, 0, 0, 0, 0, 0, 0, 128, 0, 136, 136, 136, 136, 131, 51, 59,  
187, 27, 187, 187, 187, 187, 187, 179, 51, 211, 136, 136, 136, 136, 136, 136, 131,  
136, 136, 136,  
136, 136, 136, 51, 51, 131, 136, 136, 216, 136, 8, 136, 136, 136, 136, 136, 131, 56,  
51, 59,  
59, 187, 179, 187, 177, 177, 238, 230, 102, 246, 255, 102, 102, 246, 255, 111, 255,  
111, 111, 102,  
246, 102, 111, 246, 102, 102, 102, 230, 238, 225, 235, 30, 17, 238, 204, 204, 65,  
225, 225, 17,  
17, 172, 204, 206, 187, 27, 188, 204, 204, 26, 204, 204, 204, 204, 204, 204, 204,  
202, 172, 204,  
202, 187, 177, 76, 204, 202, 76, 204, 202, 236, 204, 202, 187, 187, 186, 204, 204,  
170, 204, 204,  
75, 177, 190, 174, 225, 225, 225, 238, 230, 102, 238, 238, 27, 235, 187, 187, 187,  
123, 235, 187,  
190, 238, 238, 46, 46, 111, 102, 102, 110, 238, 238, 238, 30, 225, 187, 187, 187,  
187, 235, 187,  
187, 187, 59, 115, 51, 51, 51, 115, 59, 59, 187, 59, 238, 235, 179, 51, 51, 211, 221,  
221,  
221, 136, 128, 136, 8, 8, 136, 136, 216, 61, 51, 51, 187, 187, 51, 51, 51, 221, 216,  
136,  
136, 136, 8, 136, 8, 0, 128, 8, 128, 8, 136, 136, 136, 51, 59, 177, 17, 238, 30, 30,  
234, 68, 68, 68, 68, 68, 174, 187, 123, 59, 221, 51, 136, 128, 8, 0, 0, 0, 0,  
0,  
0,  
0, 136, 0, 128, 0, 0, 0, 0, 0, 0, 0, 0, 0, 0, 0, 0, 0, 0, 0, 0,  
0, 0, 0, 0, 0, 0, 0, 0, 0, 128, 136, 136, 136, 136, 136, 56, 56, 51, 187,  
177, 177, 187, 187, 187, 187, 51, 51, 51, 136, 136, 136, 8, 8, 8, 128, 136, 136, 136,  
136,

136, 136, 51, 51, 56, 56, 136, 136, 136, 136, 136, 8, 8, 136, 136, 131, 136, 131, 51,  
179,  
187, 51, 59, 187, 177, 17, 238, 102, 102, 255, 111, 255, 246, 102, 246, 255, 102,  
246, 102, 246,  
98, 111, 102, 246, 246, 102, 102, 110, 238, 225, 30, 27, 30, 186, 204, 204, 166, 30,  
30, 17,  
17, 204, 204, 206, 17, 177, 28, 204, 204, 20, 204, 204, 204, 204, 204, 204, 204, 206,  
172, 204,  
206, 17, 177, 172, 204, 198, 172, 204, 206, 172, 204, 202, 27, 187, 186, 204, 204,  
238, 204, 204,  
161, 187, 186, 76, 202, 225, 30, 238, 238, 238, 110, 238, 30, 187, 235, 187, 187,  
187, 183, 190,  
238, 190, 238, 226, 226, 102, 246, 102, 110, 238, 238, 17, 225, 17, 235, 187, 59,  
187, 190, 187,  
187, 179, 179, 51, 51, 51, 51, 51, 51, 59, 59, 187, 187, 190, 187, 51, 51, 61, 61, 211,  
221, 136, 216, 8, 141, 136, 136, 216, 136, 136, 51, 51, 59, 51, 179, 51, 61, 51, 56,  
136,  
136, 8, 128, 0, 128, 128, 8, 0, 8, 0, 128, 136, 136, 131, 51, 187, 17, 30, 174, 234,  
238, 228, 68, 68, 68, 68, 231, 177, 187, 51, 179, 221, 136, 128, 128, 0, 128, 0, 0, 0,  
0,  
0, 0, 0, 0, 0, 0, 0, 0, 0, 0, 0, 0, 0, 0, 0, 0, 0, 8,  
136, 8, 128, 0, 128, 0, 0, 0, 0, 0, 0, 0, 0, 0, 0, 0, 0, 0,  
0, 0, 0, 0, 0, 0, 0, 0, 8, 8, 8, 128, 136, 136, 136, 131, 131, 59, 59,  
187, 187, 187, 187, 187, 59, 51, 56, 136, 131, 136, 8, 128, 128, 128, 8, 0, 128, 136,  
8,  
136, 136, 131, 51, 51, 136, 136, 136, 136, 136, 8, 216, 136, 136, 136, 56, 51, 51, 51,  
187,  
187, 187, 179, 187, 27, 30, 238, 102, 111, 111, 246, 102, 111, 246, 111, 246, 255,  
111, 111, 102,  
102, 102, 38, 246, 102, 102, 110, 238, 238, 17, 235, 238, 235, 238, 204, 204, 193,  
238, 17, 17,  
17, 76, 204, 206, 187, 27, 188, 204, 204, 26, 204, 204, 204, 204, 204, 204, 204, 202,  
172, 204,





221, 216, 136, 216, 8, 216, 0, 128, 136, 136, 141, 131, 51, 59, 179, 179, 51, 51, 51,  
136,  
141, 136, 0, 0, 136, 8, 0, 13, 8, 0, 128, 136, 8, 136, 131, 51, 187, 177, 17, 238,  
238, 238, 126, 38, 46, 238, 238, 113, 187, 187, 51, 61, 56, 128, 136, 8, 0, 0, 0, 0,  
0,  
0, 0, 0, 0, 0, 0, 0, 0, 0, 0, 0, 0, 0, 0, 0, 0, 0, 0, 8, 136,  
136, 128, 128, 0, 0, 0, 0, 0, 0, 0, 0, 0, 0, 0, 0, 0, 0, 0, 0, 0, 0,  
0, 0, 0, 0, 0, 0, 0, 0, 8, 0, 136, 136, 136, 136, 136, 56, 131, 51, 187, 187,  
187, 187, 187, 59, 59, 51, 51, 136, 136, 136, 136, 8, 128, 128, 136, 8, 128, 128, 136,  
8,  
216, 56, 51, 51, 131, 136, 136, 136, 136, 136, 8, 128, 136, 136, 136, 56, 56, 51, 59,  
187,  
51, 179, 187, 187, 17, 30, 230, 102, 111, 255, 246, 111, 111, 102, 255, 246, 246,  
102, 102, 102,  
246, 111, 102, 102, 102, 110, 110, 238, 225, 30, 17, 238, 225, 238, 204, 204, 174,  
225, 30, 17,  
17, 172, 204, 206, 187, 27, 188, 204, 204, 20, 204, 204, 196, 204, 76, 204, 204, 202,  
76, 204,  
202, 177, 177, 76, 204, 202, 76, 204, 206, 172, 204, 202, 27, 187, 186, 204, 204,  
234, 204, 204,  
171, 187, 188, 204, 204, 235, 17, 30, 238, 230, 238, 238, 17, 187, 187, 187, 187, 59,  
187, 187,  
123, 235, 238, 238, 238, 38, 102, 102, 110, 238, 238, 30, 17, 17, 17, 187, 179, 179,  
187, 190,  
187, 59, 187, 179, 59, 51, 51, 51, 51, 51, 55, 51, 187, 235, 238, 187, 51, 51, 211,  
211,  
221, 136, 208, 13, 128, 13, 216, 8, 216, 8, 136, 131, 131, 51, 59, 51, 51, 51, 216,  
136,  
56, 136, 136, 136, 0, 128, 128, 0, 0, 0, 0, 0, 128, 136, 136, 51, 51, 183, 30, 26,  
30, 161, 238, 126, 126, 234, 238, 17, 187, 189, 189, 51, 216, 136, 128, 0, 8, 0, 0, 0,  
0,  
0, 0, 0, 0, 0, 0, 0, 0, 0, 0, 0, 0, 0, 0, 0, 0, 0, 0, 128, 0,  
0, 0, 0, 0, 0, 0, 0, 0, 0, 0, 0, 0, 0, 0, 0, 0, 0, 0, 0, 0,

0, 0, 0, 0, 0, 0, 0, 0, 0, 0, 136, 0, 128, 128, 136, 136, 131, 51, 59, 59, 187,  
187, 187, 59, 187, 179, 51, 56, 56, 136, 136, 0, 128, 8, 0, 0, 0, 0, 128, 8, 136,  
136, 51, 51, 56, 136, 136, 136, 136, 8, 8, 208, 136, 136, 136, 131, 131, 51, 51, 187,  
179,  
187, 59, 59, 187, 17, 30, 230, 102, 246, 102, 111, 102, 102, 246, 102, 111, 111, 102,  
246, 102,  
102, 246, 255, 102, 102, 102, 102, 238, 17, 27, 27, 187, 27, 231, 204, 204, 193, 30,  
17, 17,  
177, 204, 204, 206, 27, 17, 28, 204, 204, 26, 204, 204, 171, 187, 187, 172, 204, 206,  
172, 204,  
206, 27, 27, 204, 204, 206, 172, 204, 202, 236, 204, 202, 27, 187, 186, 204, 204,  
174, 204, 204,  
75, 187, 186, 204, 204, 17, 17, 17, 238, 238, 110, 238, 17, 27, 177, 187, 187, 187,  
59, 187,  
187, 190, 235, 238, 46, 230, 38, 102, 102, 230, 238, 17, 17, 190, 17, 187, 179, 51,  
187, 187,  
187, 179, 179, 59, 51, 51, 51, 51, 51, 51, 51, 51, 59, 59, 187, 235, 179, 51, 211, 221,  
211, 216, 136, 128, 216, 128, 13, 141, 8, 136, 136, 136, 51, 51, 59, 187, 51, 51, 51,  
56,  
136, 136, 128, 128, 136, 0, 8, 0, 8, 0, 8, 8, 8, 8, 136, 136, 51, 187, 177, 30,  
238, 30, 231, 225, 238, 238, 238, 23, 27, 187, 219, 61, 61, 136, 136, 136, 0, 8, 0, 0,  
0,  
0, 0, 0, 0, 0, 0, 0, 0, 0, 0, 0, 0, 0, 0, 0, 0, 8, 8,  
8, 0, 0, 0, 0, 0, 0, 0, 0, 0, 0, 0, 0, 0, 0, 0, 0, 0, 0, 0,  
0, 0, 0, 0, 0, 0, 13, 8, 0, 136, 136, 136, 136, 131, 131, 51, 59, 187, 187,  
187, 51, 187, 179, 51, 51, 56, 136, 136, 136, 136, 8, 0, 136, 8, 128, 128, 8, 128, 136,  
131, 51, 51, 131, 136, 136, 136, 136, 136, 128, 136, 128, 136, 136, 136, 51, 51,  
179, 187,  
51, 51, 187, 177, 17, 238, 230, 111, 111, 255, 102, 102, 102, 111, 255, 246, 102,  
102, 102, 102,  
102, 102, 102, 246, 102, 238, 238, 238, 17, 17, 30, 238, 238, 190, 204, 204, 70, 234,  
110, 238,

161, 76, 204, 202, 234, 30, 172, 204, 204, 26, 204, 204, 97, 27, 27, 76, 204, 202,  
172, 204,  
202, 238, 234, 204, 204, 202, 76, 204, 202, 172, 204, 202, 19, 187, 180, 204, 204,  
170, 204, 204,  
170, 30, 172, 204, 204, 161, 174, 174, 238, 234, 246, 238, 238, 174, 187, 187, 179,  
59, 179, 187,  
187, 227, 238, 238, 238, 46, 102, 102, 110, 110, 238, 225, 17, 27, 27, 235, 187, 187,  
59, 187,  
187, 187, 59, 179, 51, 51, 51, 51, 51, 51, 51, 51, 51, 51, 187, 190, 187, 187, 51, 61, 61,  
221, 216, 216, 13, 0, 216, 128, 0, 128, 141, 136, 136, 136, 51, 51, 59, 51, 51, 56,  
131,  
136, 136, 136, 136, 0, 136, 0, 8, 0, 8, 0, 0, 0, 128, 136, 136, 131, 51, 187, 177,  
30, 225, 17, 23, 27, 113, 30, 30, 27, 187, 179, 51, 51, 136, 136, 0, 136, 0, 0, 0,  
0,  
0, 0, 0, 0, 0, 0, 0, 0, 0, 0, 0, 0, 0, 0, 0, 0, 8, 128, 128,  
0,  
0, 0, 0, 0, 0, 0, 0, 0, 136, 8, 136, 136, 136, 56, 56, 51, 187, 187, 187,  
59, 187, 59, 59, 51, 56, 136, 136, 136, 128, 0, 128, 128, 0, 128, 8, 8, 128, 136, 136,  
51, 51, 51, 56, 136, 136, 136, 8, 8, 8, 8, 136, 136, 136, 56, 51, 51, 59, 187, 179,  
179, 187, 187, 187, 17, 238, 102, 102, 102, 102, 246, 102, 246, 102, 102, 102, 102,  
102, 102, 246,  
111, 102, 102, 102, 238, 102, 238, 225, 27, 17, 187, 187, 190, 234, 204, 204, 204,  
204, 204, 204,  
202, 204, 204, 204, 204, 204, 204, 204, 204, 20, 204, 204, 161, 17, 177, 172, 204,  
206, 76, 204,  
204, 204, 204, 204, 204, 206, 172, 204, 206, 172, 204, 202, 27, 187, 186, 204, 204,  
238, 204, 204,  
204, 204, 204, 204, 204, 172, 204, 202, 236, 204, 204, 236, 204, 204, 171, 179, 187,  
51, 187, 179,  
187, 187, 187, 238, 238, 230, 38, 38, 102, 110, 238, 17, 17, 190, 190, 187, 179, 51,  
59, 59,  
187, 59, 179, 59, 179, 179, 51, 51, 51, 51, 51, 51, 59, 59, 187, 190, 187, 189, 51,  
211,

61, 221, 136, 208, 136, 0, 8, 136, 8, 0, 128, 136, 136, 136, 51, 51, 179, 51, 51, 56,  
56, 136, 136, 8, 8, 0, 8, 0, 0, 0, 0, 128, 8, 13, 136, 141, 51, 51, 183,  
17, 161, 238, 17, 17, 17, 183, 17, 17, 187, 189, 189, 61, 56, 136, 136, 0, 128, 128, 0,  
0,  
0, 0, 0, 0, 0, 0, 0, 0, 0, 0, 0, 0, 0, 0, 0, 8, 0, 0, 0,  
128, 0, 0, 0, 0, 0, 0, 0, 0, 0, 0, 0, 0, 0, 0, 0, 0, 0, 0, 0,  
0, 0, 0, 0, 0, 0, 8, 136, 8, 128, 136, 136, 136, 131, 131, 187, 59, 187, 59,  
179, 187, 179, 179, 51, 131, 136, 136, 136, 8, 136, 0, 8, 0, 8, 0, 128, 8, 136, 131,  
51, 51, 56, 136, 136, 136, 128, 128, 136, 128, 128, 128, 136, 136, 131, 136, 51, 59,  
187, 179,  
59, 51, 187, 177, 30, 238, 102, 102, 255, 246, 102, 102, 102, 111, 102, 246, 102,  
102, 102, 102,  
102, 111, 246, 102, 102, 230, 238, 225, 30, 187, 238, 30, 235, 238, 204, 204, 204,  
204, 204, 204,  
196, 172, 204, 204, 204, 204, 204, 204, 196, 186, 204, 204, 161, 27, 27, 76, 204,  
202, 172, 204,  
204, 204, 204, 204, 204, 161, 204, 204, 202, 172, 204, 202, 27, 187, 26, 204, 204,  
170, 204, 204,  
204, 204, 204, 204, 204, 172, 204, 196, 172, 204, 204, 228, 204, 204, 235, 187, 59,  
179, 51, 187,  
187, 187, 235, 235, 238, 238, 230, 230, 102, 230, 238, 225, 27, 27, 187, 235, 187,  
179, 51, 187,  
187, 179, 59, 179, 51, 51, 51, 51, 51, 51, 51, 51, 51, 51, 51, 59, 187, 235, 187, 51, 221,  
221, 61, 216, 13, 13, 141, 208, 13, 13, 136, 8, 8, 136, 136, 51, 51, 59, 51, 51, 131,  
136, 56, 136, 136, 128, 136, 128, 8, 0, 128, 8, 0, 0, 0, 128, 8, 136, 211, 51, 187,  
187, 17, 17, 113, 187, 187, 27, 27, 27, 27, 187, 59, 51, 136, 56, 136, 136, 8, 0, 128,  
0,  
0, 0, 0, 0, 0, 0, 208, 0, 0, 0, 0, 0, 0, 0, 0, 128, 128, 128, 0,  
0, 0, 0, 0, 0, 0, 0, 0, 0, 0, 0, 0, 0, 0, 0, 0, 0, 0, 0,  
0, 0, 0, 0, 0, 0, 13, 0, 0, 128, 136, 136, 136, 131, 131, 51, 59, 187, 51, 179,  
59, 59, 51, 51, 56, 136, 136, 136, 0, 128, 0, 8, 128, 128, 128, 136, 8, 136, 136, 131,  
51, 51, 131, 136, 136, 128, 136, 8, 0, 136, 136, 136, 136, 131, 136, 51, 51, 179, 179,  
51,

51, 187, 187, 177, 17, 230, 230, 111, 102, 102, 102, 102, 102, 102, 246, 102, 102,  
102, 102, 102,  
102, 111, 38, 102, 238, 110, 110, 17, 187, 225, 187, 187, 238, 186, 204, 204, 204,  
204, 204, 204,  
202, 76, 204, 204, 204, 204, 204, 204, 202, 20, 204, 204, 241, 17, 17, 172, 204, 206,  
172, 204,  
204, 204, 204, 204, 204, 225, 172, 204, 202, 236, 204, 202, 27, 187, 186, 204, 204,  
174, 204, 204,  
204, 204, 204, 204, 204, 172, 204, 202, 108, 204, 196, 234, 204, 204, 171, 187, 51,  
59, 59, 51,  
59, 187, 190, 190, 238, 226, 226, 98, 102, 110, 238, 30, 17, 17, 187, 177, 187, 179,  
51, 51,  
187, 187, 179, 59, 179, 51, 51, 51, 51, 51, 51, 61, 51, 59, 59, 187, 190, 179, 51, 179,  
61, 221, 136, 128, 128, 0, 8, 208, 128, 0, 141, 136, 8, 136, 136, 51, 51, 179, 51, 51,  
51, 136, 136, 136, 8, 0, 0, 128, 0, 0, 0, 8, 8, 8, 216, 141, 136, 211, 211,  
59, 177, 113, 17, 27, 183, 187, 187, 177, 187, 187, 51, 51, 56, 136, 136, 8, 8, 8, 0,  
0,  
0, 0, 0, 0, 0, 0, 221, 0, 0, 0, 0, 0, 0, 0, 8, 0, 8, 0, 0,  
0,  
0, 0, 0, 0, 0, 0, 0, 136, 136, 136, 136, 136, 136, 136, 51, 59, 187, 187, 187, 187,  
187, 179, 179, 51, 136, 136, 136, 136, 136, 8, 8, 0, 0, 8, 0, 0, 128, 128, 136, 51,  
51, 51, 136, 136, 128, 136, 8, 136, 136, 8, 8, 136, 136, 136, 131, 131, 51, 187, 187,  
59,  
59, 59, 187, 177, 30, 230, 102, 111, 255, 102, 102, 102, 102, 102, 111, 102, 102,  
102, 102, 102,  
102, 255, 36, 110, 110, 110, 225, 17, 225, 187, 126, 238, 190, 114, 204, 204, 204,  
204, 204, 204,  
202, 204, 204, 204, 204, 204, 204, 204, 161, 26, 204, 204, 161, 17, 17, 76, 204, 206,  
76, 204,  
204, 204, 204, 204, 65, 27, 204, 204, 193, 172, 204, 202, 187, 187, 26, 204, 204,  
106, 204, 204,  
204, 204, 204, 204, 204, 76, 204, 196, 236, 204, 204, 236, 204, 204, 235, 187, 179,  
179, 59, 59,

179, 187, 187, 190, 190, 238, 230, 110, 102, 102, 110, 225, 17, 187, 27, 27, 187,  
179, 51, 59,  
51, 187, 187, 51, 59, 51, 51, 51, 51, 221, 221, 51, 51, 51, 51, 59, 187, 187, 179, 123,  
51, 221, 216, 216, 8, 128, 128, 0, 8, 8, 0, 8, 128, 141, 136, 131, 51, 51, 51, 51,  
136, 136, 56, 136, 136, 136, 136, 0, 128, 128, 0, 0, 0, 0, 0, 8, 141, 131, 51,  
59, 187, 27, 235, 17, 187, 187, 187, 187, 177, 187, 187, 51, 51, 131, 136, 136, 128,  
128, 128,  
128, 0, 0, 0, 0, 0, 0, 0, 0, 0, 0, 0, 0, 0, 0, 0, 0, 0, 0, 0,  
0, 0, 0, 0, 0, 0, 221, 0, 0, 0, 0, 0, 0, 0, 8, 0, 128, 0, 0, 0,  
0,  
0, 0, 0, 0, 0, 0, 136, 0, 8, 128, 136, 136, 136, 131, 51, 59, 59, 51, 51, 51,  
51, 59, 51, 56, 136, 136, 136, 0, 0, 128, 128, 128, 128, 128, 8, 8, 8, 136, 131, 51,  
51, 56, 136, 136, 8, 8, 8, 8, 0, 136, 128, 216, 136, 131, 136, 51, 59, 59, 179, 51,  
51, 187, 187, 17, 30, 230, 102, 102, 102, 102, 102, 102, 102, 246, 102, 102, 102,  
102, 102, 102,  
102, 111, 70, 102, 230, 238, 225, 27, 187, 30, 17, 183, 238, 238, 204, 204, 204, 204,  
204, 204,  
198, 172, 204, 204, 204, 204, 204, 65, 225, 20, 204, 204, 97, 17, 17, 172, 204, 206,  
172, 204,  
204, 204, 204, 106, 17, 27, 164, 204, 71, 28, 204, 206, 187, 187, 190, 204, 204, 30,  
172, 204,  
204, 204, 204, 204, 202, 234, 204, 202, 26, 204, 196, 20, 204, 202, 235, 179, 187,  
59, 51, 179,  
59, 51, 187, 187, 238, 238, 230, 38, 102, 110, 110, 225, 17, 177, 177, 187, 27, 187,  
51, 51,  
187, 59, 59, 179, 179, 51, 51, 51, 61, 51, 51, 211, 61, 51, 51, 59, 187, 235, 187, 51,  
221, 221, 216, 128, 128, 208, 208, 128, 128, 128, 8, 0, 216, 8, 136, 136, 131, 51, 51,  
51,  
51, 56, 136, 136, 128, 128, 0, 8, 0, 0, 128, 0, 0, 0, 0, 128, 208, 136, 136, 211,  
211, 59, 187, 177, 177, 27, 187, 187, 187, 187, 183, 187, 51, 51, 136, 136, 136, 8,  
128, 0,  
0,  
0, 0, 0, 0, 0, 0, 0, 0, 0, 0, 0, 0, 0, 0, 128, 0, 0, 0, 0,

0,  
0, 0, 0, 0, 0, 208, 0, 136, 128, 136, 136, 136, 136, 51, 51, 187, 187, 187, 187, 187,  
187, 51, 51, 136, 136, 136, 128, 136, 128, 8, 0, 0, 8, 0, 128, 128, 128, 136, 51, 51,  
51, 131, 136, 128, 136, 136, 128, 128, 136, 0, 136, 136, 136, 136, 51, 51, 59, 187,  
51, 51,  
187, 59, 187, 17, 238, 102, 102, 111, 111, 102, 110, 230, 102, 111, 102, 102, 102,  
102, 102, 102,  
102, 102, 102, 110, 238, 238, 225, 17, 17, 187, 177, 238, 235, 238, 238, 238, 110,  
238, 225, 17,  
17, 238, 17, 17, 177, 27, 17, 177, 30, 27, 17, 17, 17, 225, 225, 225, 17, 177, 27, 27,  
17, 17, 17, 30, 17, 17, 27, 179, 59, 51, 51, 59, 187, 177, 17, 187, 187, 187, 27, 187,  
187, 187, 187, 179, 187, 177, 187, 177, 30, 30, 225, 97, 17, 17, 27, 187, 51, 51, 51,  
51,  
179, 187, 187, 190, 190, 238, 238, 226, 102, 102, 230, 225, 225, 27, 187, 187, 187,  
187, 51, 51,  
51, 187, 179, 179, 51, 51, 51, 51, 51, 61, 211, 61, 211, 61, 51, 51, 187, 187, 187, 51,  
61, 61, 61, 136, 8, 8, 8, 8, 0, 8, 13, 128, 0, 128, 136, 136, 131, 51, 51, 51,  
56, 131, 131, 136, 136, 136, 136, 0, 8, 0, 0, 0, 0, 8, 0, 0, 8, 0, 136, 136,  
61, 51, 59, 187, 187, 177, 187, 179, 179, 187, 187, 187, 179, 51, 51, 136, 136, 136,  
136, 128,  
128, 0, 0, 0, 0, 0, 0, 0, 0, 0, 0, 0, 0, 0, 0, 0, 0, 0, 0, 0,  
0, 0, 0, 0, 0, 0, 0, 0, 0, 0, 0, 0, 0, 0, 128, 0, 0, 0, 0, 0,  
0,  
0, 0, 0, 0, 0, 8, 136, 8, 8, 136, 136, 136, 131, 51, 59, 59, 51, 51, 51, 51,  
51, 51, 136, 136, 61, 136, 8, 0, 0, 128, 0, 128, 0, 8, 8, 8, 136, 136, 51, 51,  
51, 136, 136, 136, 128, 0, 8, 8, 8, 141, 128, 136, 136, 136, 131, 51, 187, 179, 51, 51,  
51, 187, 187, 17, 238, 230, 102, 246, 102, 102, 102, 102, 102, 102, 102, 102, 102,  
102, 102, 102,  
102, 102, 110, 238, 110, 238, 17, 187, 187, 126, 235, 113, 30, 231, 238, 238, 238,  
110, 238, 238,  
30, 225, 225, 17, 17, 17, 17, 30, 17, 238, 17, 17, 30, 17, 225, 17, 17, 17, 17, 17,  
17, 30, 17, 225, 17, 17, 187, 187, 187, 187, 187, 179, 187, 187, 187, 177, 187, 27,  
187, 177,



177, 17, 187, 187, 187, 187, 177, 177, 17, 30, 238, 238, 225, 17, 27, 187, 179, 179,  
59, 51,  
51, 51, 59, 187, 190, 238, 238, 110, 102, 102, 238, 238, 17, 177, 187, 187, 187, 187,  
51, 51,  
51, 59, 59, 59, 59, 51, 51, 51, 221, 51, 61, 211, 51, 211, 51, 51, 51, 187, 235, 179,  
51, 221, 216, 128, 128, 128, 0, 128, 8, 0, 0, 8, 216, 8, 13, 136, 136, 131, 51, 51,  
51, 56, 136, 136, 136, 136, 0, 136, 0, 0, 0, 0, 0, 0, 0, 0, 136, 13, 136,  
216, 61, 51, 59, 177, 187, 27, 59, 59, 59, 187, 187, 187, 179, 56, 51, 136, 136, 128,  
128,  
8, 0, 128, 0, 0, 0, 0, 0, 0, 0, 0, 0, 0, 0, 0, 0, 0, 0,  
0, 0, 0, 0, 0, 0, 0, 0, 0, 0, 0, 8, 8, 0, 0, 0, 0, 0,  
0, 0, 0, 0, 0, 0, 0, 0, 0, 0, 0, 0, 0, 0, 0, 0, 0,  
0, 0, 0, 0, 208, 0, 0, 128, 136, 136, 8, 136, 56, 51, 59, 179, 187, 187, 187, 179,  
179, 51, 136, 131, 189, 216, 0, 136, 8, 0, 128, 8, 8, 0, 128, 128, 136, 131, 51, 51,  
56, 136, 136, 0, 136, 136, 128, 128, 128, 128, 136, 136, 136, 131, 56, 51, 187, 59,  
51, 51,  
187, 187, 177, 17, 238, 102, 102, 102, 102, 102, 230, 110, 102, 102, 102, 102, 102,  
230, 110, 102,  
102, 102, 102, 110, 238, 225, 17, 27, 27, 27, 190, 238, 238, 238, 226, 238, 46, 238,  
238, 238,  
17, 238, 30, 17, 17, 17, 30, 17, 238, 17, 225, 17, 225, 238, 30, 225, 17, 17, 17, 17,  
30, 30, 238, 30, 225, 17, 17, 187, 179, 51, 51, 59, 187, 187, 17, 187, 177, 177, 177,  
187,  
17, 187, 187, 187, 187, 187, 187, 187, 17, 30, 238, 110, 238, 17, 187, 179, 187, 51,  
51, 51,  
59, 51, 179, 187, 187, 190, 238, 226, 102, 102, 110, 238, 17, 27, 27, 187, 187, 187,  
179, 51,  
51, 51, 187, 179, 51, 179, 51, 51, 51, 221, 61, 61, 61, 61, 61, 51, 51, 187, 187, 187,  
61, 61, 61, 136, 136, 8, 8, 0, 128, 8, 8, 0, 0, 8, 208, 8, 136, 136, 51, 51,  
51, 131, 56, 136, 136, 136, 136, 0, 128, 128, 128, 0, 0, 0, 0, 0, 0, 8, 8,  
136, 136, 51, 51, 187, 187, 187, 187, 179, 51, 51, 187, 187, 59, 51, 56, 56, 136, 136,  
136,  
0, 128, 0, 0, 0, 0, 0, 0, 0, 0, 0, 0, 0, 0, 0, 0, 0,

0,  
0,  
0, 0, 0, 0, 8, 8, 136, 136, 128, 136, 136, 136, 131, 51, 179, 179, 51, 51, 51, 51,  
51, 136, 136, 136, 221, 128, 128, 0, 0, 0, 0, 128, 0, 128, 8, 8, 136, 51, 51, 51,  
136, 136, 136, 136, 0, 128, 8, 8, 8, 8, 128, 136, 136, 136, 131, 59, 59, 179, 51, 51,  
51, 187, 177, 30, 230, 102, 102, 102, 102, 238, 97, 102, 102, 246, 102, 102, 102,  
102, 102, 102,  
102, 102, 225, 238, 238, 225, 27, 177, 183, 190, 235, 235, 126, 233, 238, 146, 238,  
158, 238, 238,  
238, 238, 225, 225, 225, 17, 17, 238, 30, 238, 30, 238, 30, 225, 238, 17, 225, 225,  
17, 30,  
225, 225, 238, 238, 30, 17, 27, 187, 187, 187, 187, 187, 59, 187, 27, 177, 27, 27, 27,  
27,  
17, 17, 27, 27, 187, 187, 187, 17, 177, 30, 30, 230, 30, 225, 17, 187, 51, 51, 51, 51,  
51, 59, 59, 187, 190, 235, 238, 238, 102, 102, 110, 110, 17, 17, 187, 187, 187, 187,  
59, 51,  
51, 51, 179, 59, 51, 51, 51, 51, 211, 61, 211, 221, 211, 211, 51, 51, 51, 59, 187, 187,  
51, 61, 216, 136, 8, 8, 0, 128, 8, 0, 0, 13, 8, 8, 8, 128, 136, 136, 131, 51,  
51, 56, 131, 56, 136, 136, 8, 8, 0, 0, 0, 0, 8, 0, 0, 0, 0, 0, 128,  
8, 8, 136, 211, 51, 187, 187, 187, 51, 51, 59, 51, 187, 187, 51, 51, 131, 136, 136,  
136,  
136, 0, 8, 0, 0, 0, 0, 0, 0, 0, 0, 0, 0, 0, 0, 0, 0, 0, 0, 0,  
0, 0, 0, 0, 0, 0, 0, 0, 0, 0, 0, 0, 128, 0, 0, 0, 0, 0, 0, 0,  
0,  
0, 0, 0, 0, 0, 128, 0, 128, 136, 136, 136, 51, 51, 59, 59, 51, 179, 187, 51, 51,  
56, 136, 136, 136, 8, 8, 0, 128, 128, 0, 128, 0, 128, 8, 8, 136, 136, 51, 51, 51,  
136, 136, 0, 0, 136, 0, 128, 128, 128, 128, 136, 136, 136, 131, 51, 59, 179, 51, 51,  
51,  
59, 187, 177, 30, 230, 102, 102, 102, 110, 102, 102, 230, 102, 102, 102, 97, 102, 22,  
22, 102,  
102, 102, 102, 22, 30, 17, 17, 187, 177, 27, 183, 238, 238, 126, 73, 169, 78, 238,  
118, 238,

238, 238, 238, 225, 225, 238, 30, 30, 238, 238, 17, 17, 238, 238, 225, 238, 17, 17,  
30, 17,  
30, 238, 238, 30, 225, 225, 17, 187, 187, 179, 59, 51, 187, 177, 177, 187, 187, 177,  
187, 177,  
187, 235, 27, 187, 187, 187, 187, 187, 17, 17, 238, 110, 97, 17, 27, 187, 179, 179,  
51, 51,  
51, 51, 51, 59, 179, 190, 238, 238, 102, 102, 110, 238, 238, 27, 27, 187, 187, 179,  
179, 51,  
51, 51, 59, 179, 179, 51, 179, 61, 61, 51, 61, 51, 211, 221, 221, 211, 51, 51, 187,  
187,  
179, 51, 221, 216, 136, 128, 128, 8, 0, 8, 8, 0, 0, 0, 128, 8, 8, 136, 136, 51,  
51, 51, 56, 131, 131, 136, 136, 128, 136, 0, 0, 0, 0, 0, 0, 0, 0, 0, 0, 0,  
128, 136, 136, 131, 51, 51, 187, 187, 187, 179, 51, 59, 51, 187, 187, 51, 51, 131,  
136, 221,  
128, 136, 0, 0, 128, 0, 0, 0, 0, 0, 0, 0, 0, 0, 0, 0, 0, 0, 0,  
0, 0, 0, 0, 0, 0, 0, 0, 0, 0, 0, 0, 0, 0, 0, 0, 0, 0,  
0, 0, 0, 0, 0, 0, 0, 0, 0, 0, 0, 0, 0, 0, 0, 0, 0, 0,  
0, 0, 0, 13, 8, 8, 136, 8, 136, 136, 136, 136, 51, 179, 179, 179, 51, 179, 179, 51,  
131, 136, 136, 128, 128, 128, 0, 0, 0, 128, 0, 128, 8, 8, 128, 136, 131, 51, 179, 56,  
136, 136, 136, 136, 0, 128, 0, 128, 8, 8, 8, 136, 136, 136, 51, 59, 187, 51, 131, 51,  
59, 187, 17, 30, 230, 102, 102, 102, 102, 97, 22, 102, 102, 102, 22, 102, 102, 246,  
246, 102,  
102, 97, 97, 97, 97, 17, 27, 177, 187, 17, 238, 231, 98, 153, 68, 148, 148, 146, 98,  
238,  
238, 238, 238, 238, 238, 238, 238, 238, 230, 238, 110, 102, 110, 110, 110, 238, 238,  
238, 238, 238,  
238, 230, 102, 102, 102, 238, 17, 17, 187, 187, 187, 187, 187, 187, 30, 17, 238, 225,  
30, 27,  
238, 30, 30, 177, 187, 177, 177, 17, 17, 238, 238, 230, 102, 97, 17, 187, 179, 51, 51,  
51,  
51, 51, 59, 59, 187, 190, 190, 238, 230, 102, 102, 110, 225, 17, 187, 187, 179, 187,  
179, 51,  
61, 51, 51, 59, 59, 51, 51, 51, 51, 221, 221, 221, 221, 61, 51, 61, 211, 51, 51, 187,

187, 51, 211, 216, 128, 136, 8, 0, 128, 0, 0, 8, 8, 8, 8, 0, 128, 128, 136, 136,  
51, 51, 131, 136, 136, 136, 136, 8, 0, 128, 128, 128, 0, 0, 0, 0, 0, 0, 8,  
0, 0, 8, 136, 136, 51, 59, 59, 179, 59, 51, 51, 59, 59, 179, 179, 51, 56, 131, 179,  
216, 0, 128, 128, 0, 0, 0, 0, 0, 0, 0, 0, 0, 0, 0, 0, 0, 0, 0,  
0, 0, 0, 0, 0, 0, 0, 0, 0, 0, 8, 0, 0, 0, 0, 0, 0, 0,  
0, 0, 0, 0, 0, 0, 0, 0, 0, 0, 0, 0, 0, 0, 0, 0, 0, 0,  
0, 0, 0, 0, 0, 128, 8, 136, 136, 136, 131, 51, 51, 59, 51, 51, 179, 51, 51, 56,  
136, 136, 128, 8, 0, 0, 128, 128, 128, 8, 0, 0, 128, 0, 136, 136, 51, 179, 51, 136,  
136, 128, 0, 0, 136, 8, 128, 8, 128, 136, 128, 136, 136, 51, 51, 187, 51, 51, 51, 51,  
59, 187, 177, 238, 102, 102, 102, 102, 225, 102, 102, 102, 102, 102, 102, 97, 97, 97,  
102, 22,  
102, 102, 22, 30, 17, 17, 177, 187, 190, 113, 190, 238, 228, 68, 73, 153, 73, 73, 238,  
158,  
46, 158, 102, 238, 238, 238, 238, 230, 102, 102, 230, 238, 230, 102, 102, 110, 238,  
238, 238, 110,  
102, 102, 102, 102, 110, 238, 225, 27, 187, 187, 187, 187, 187, 190, 177, 17, 187,  
17, 177, 30,  
17, 238, 17, 27, 177, 187, 187, 187, 17, 30, 238, 102, 110, 238, 17, 187, 179, 179,  
51, 51,  
51, 51, 51, 51, 59, 187, 238, 238, 230, 102, 102, 238, 238, 17, 27, 187, 187, 179,  
187, 51,  
51, 51, 51, 59, 51, 59, 51, 51, 221, 51, 61, 61, 61, 211, 221, 131, 61, 51, 59, 187,  
187, 51, 61, 136, 136, 128, 128, 128, 0, 128, 128, 0, 0, 0, 0, 128, 8, 8, 136, 136,  
131, 131, 51, 56, 56, 56, 136, 136, 136, 8, 0, 0, 8, 0, 0, 0, 0, 0, 0,  
0, 8, 8, 136, 136, 51, 51, 187, 187, 179, 179, 51, 51, 51, 187, 187, 51, 51, 56, 221,  
136, 136, 8, 0, 8, 0, 0, 0, 0, 0, 0, 0, 0, 0, 0, 0, 0, 0,  
0, 0, 0, 0, 0, 0, 0, 0, 0, 8, 0, 0, 0, 0, 0, 0, 0, 0,  
0, 0, 0, 0, 0, 0, 0, 0, 0, 0, 0, 0, 0, 0, 0, 0, 0, 0,  
0, 0, 8, 8, 136, 8, 128, 136, 8, 136, 131, 51, 59, 179, 59, 51, 51, 51, 51, 136,  
136, 128, 8, 0, 0, 128, 0, 0, 0, 0, 128, 128, 8, 136, 8, 131, 131, 51, 56, 136,  
136, 136, 136, 136, 0, 0, 8, 0, 8, 0, 136, 136, 136, 131, 51, 179, 179, 136, 131, 51,  
179, 187, 17, 238, 230, 102, 102, 102, 102, 17, 97, 102, 102, 22, 97, 102, 102, 102,  
102, 246,

102, 22, 17, 97, 30, 17, 187, 187, 187, 177, 126, 126, 228, 73, 68, 68, 148, 148, 158,  
118,  
234, 226, 238, 110, 238, 238, 110, 102, 102, 110, 238, 230, 102, 230, 230, 230, 230,  
30, 238, 238,  
238, 102, 102, 102, 102, 238, 17, 17, 187, 187, 179, 187, 187, 187, 225, 27, 225,  
190, 235, 187,  
225, 225, 17, 17, 27, 27, 27, 17, 190, 30, 238, 230, 230, 238, 17, 27, 59, 51, 51, 51,  
61, 51, 51, 59, 179, 187, 190, 190, 238, 102, 102, 110, 238, 17, 177, 187, 179, 59,  
51, 179,  
51, 221, 51, 51, 179, 51, 51, 51, 51, 61, 211, 221, 211, 136, 136, 56, 51, 51, 51, 59,  
187, 179, 51, 216, 136, 8, 8, 8, 0, 0, 0, 0, 0, 128, 8, 8, 0, 128, 136, 136,  
136, 51, 56, 131, 136, 136, 136, 136, 8, 0, 8, 0, 0, 0, 0, 0, 0, 0, 0,  
0, 0, 0, 8, 136, 136, 131, 51, 59, 187, 59, 51, 51, 51, 59, 59, 187, 51, 51, 51,  
136, 136, 8, 8, 0, 0, 0, 0, 0, 0, 0, 0, 0, 0, 0, 0, 0, 0,  
0, 0, 0, 0, 0, 0, 0, 0, 0, 0, 0, 0, 0, 0, 0, 0, 0,  
0, 0, 0, 0, 0, 0, 0, 0, 0, 0, 0, 0, 0, 0, 0, 0, 0,  
0, 0, 0, 0, 0, 128, 8, 136, 136, 131, 56, 51, 179, 51, 51, 59, 51, 51, 56, 136,  
136, 8, 128, 0, 0, 0, 0, 0, 8, 0, 0, 0, 0, 0, 136, 131, 59, 51, 56, 136,  
136, 0, 0, 0, 8, 8, 0, 128, 136, 136, 136, 136, 136, 51, 59, 59, 51, 51, 56, 51,  
187, 187, 30, 238, 102, 102, 102, 97, 22, 102, 31, 102, 22, 102, 31, 97, 102, 22, 97,  
102,  
22, 102, 97, 22, 17, 27, 187, 187, 123, 17, 225, 238, 169, 68, 148, 153, 68, 73, 226,  
98,  
226, 238, 238, 238, 238, 230, 238, 238, 102, 230, 238, 110, 110, 110, 97, 225, 238,  
238, 238, 238,  
102, 230, 102, 102, 230, 97, 225, 27, 187, 187, 59, 59, 187, 187, 177, 190, 177, 235,  
190, 225,  
177, 30, 235, 187, 187, 187, 187, 187, 235, 17, 30, 230, 102, 238, 17, 187, 187, 51,  
51, 51,  
51, 61, 51, 51, 51, 187, 235, 238, 238, 102, 102, 102, 238, 17, 27, 187, 179, 179,  
187, 51,  
51, 51, 211, 51, 51, 179, 51, 51, 61, 51, 221, 61, 61, 136, 56, 136, 136, 131, 211, 51,  
187, 187, 51, 56, 136, 141, 128, 208, 128, 0, 128, 8, 0, 0, 0, 0, 128, 8, 0, 136,

136, 136, 131, 56, 51, 136, 136, 136, 128, 136, 0, 128, 0, 8, 0, 0, 0, 0, 0, 0,  
0, 0, 8, 0, 8, 136, 131, 51, 51, 187, 179, 179, 51, 51, 51, 59, 51, 179, 51, 136,  
136, 136, 128, 128, 128, 8, 0, 0, 0, 0, 0, 0, 0, 0, 0, 0, 0, 0, 0, 0, 0,  
0,  
0,  
0, 208, 128, 128, 136, 136, 136, 136, 136, 136, 51, 51, 59, 51, 51, 51, 51, 51, 136,  
136,  
128, 128, 0, 8, 0, 0, 0, 128, 0, 8, 0, 8, 128, 136, 136, 51, 51, 51, 136, 136,  
0, 136, 136, 8, 0, 128, 8, 8, 0, 128, 128, 136, 131, 51, 59, 179, 56, 131, 51, 51,  
179, 177, 17, 238, 102, 102, 97, 102, 97, 17, 102, 102, 102, 97, 97, 102, 22, 102,  
102, 102,  
102, 17, 22, 17, 17, 27, 187, 187, 187, 183, 17, 238, 36, 73, 73, 68, 153, 68, 158,  
238,  
174, 46, 102, 238, 238, 238, 238, 102, 230, 110, 110, 230, 238, 230, 230, 102, 30,  
30, 30, 238,  
225, 110, 102, 110, 110, 22, 17, 17, 187, 179, 187, 179, 59, 187, 17, 27, 187, 190,  
235, 177,  
225, 235, 30, 235, 187, 187, 187, 187, 190, 190, 238, 238, 102, 97, 225, 27, 179, 51,  
51, 56,  
56, 51, 51, 51, 51, 187, 187, 235, 238, 230, 102, 238, 110, 225, 17, 187, 187, 59, 59,  
59,  
51, 131, 51, 51, 51, 51, 51, 51, 51, 221, 61, 211, 216, 56, 136, 56, 56, 56, 51, 51,  
51, 187, 179, 51, 136, 128, 128, 128, 8, 0, 0, 0, 0, 8, 0, 0, 8, 0, 136, 0,  
136, 131, 56, 51, 136, 56, 136, 136, 136, 8, 136, 8, 0, 0, 0, 0, 0, 0, 0,  
0, 0, 0, 0, 128, 8, 136, 131, 51, 59, 59, 51, 51, 51, 51, 51, 187, 59, 51, 51,  
136, 136, 136, 8, 8, 0, 0, 0, 0, 0, 0, 0, 0, 0, 0, 0, 0, 0, 0,  
0, 0, 0, 0, 0, 0, 0, 8, 0, 0, 0, 0, 0, 0, 0, 0, 0, 0,  
0,  
0, 0, 0, 8, 0, 128, 128, 136, 136, 51, 51, 59, 51, 51, 59, 51, 51, 136, 136, 136,  
8, 0, 8, 0, 0, 0, 128, 0, 0, 0, 8, 0, 8, 128, 131, 51, 51, 56, 136, 128,  
136, 0, 0, 128, 0, 0, 128, 0, 136, 8, 136, 136, 136, 51, 187, 51, 56, 216, 131, 51,  
187, 177, 30, 230, 102, 102, 102, 17, 22, 102, 97, 97, 97, 102, 102, 102, 102, 22, 22,  
97,

102, 102, 17, 17, 17, 187, 187, 187, 187, 177, 23, 231, 228, 68, 68, 148, 68, 153,  
234, 46,  
46, 230, 238, 238, 110, 238, 238, 230, 230, 238, 238, 238, 102, 102, 110, 17, 238,  
238, 225, 225,  
102, 230, 110, 102, 102, 97, 225, 27, 187, 59, 51, 59, 179, 187, 177, 190, 17, 235,  
190, 187,  
187, 30, 27, 190, 187, 187, 187, 177, 187, 235, 17, 238, 238, 110, 30, 177, 187, 51,  
51, 56,  
51, 61, 211, 211, 51, 59, 187, 190, 238, 238, 102, 102, 238, 17, 17, 187, 179, 179,  
51, 51,  
51, 56, 136, 131, 51, 59, 51, 51, 61, 51, 61, 61, 136, 136, 61, 136, 136, 136, 56, 51,  
59, 59, 179, 56, 56, 136, 136, 8, 0, 8, 0, 0, 0, 0, 8, 0, 0, 8, 0, 136,  
8, 136, 131, 136, 51, 131, 131, 136, 136, 128, 0, 0, 8, 0, 0, 0, 0, 0, 0,  
0, 0, 0, 0, 8, 128, 136, 136, 131, 51, 59, 187, 51, 51, 51, 51, 51, 179, 51, 51,  
56, 56, 136, 128, 128, 128, 8, 0, 0, 0, 0, 0, 0, 0, 0, 0, 0, 0, 0,  
0, 0, 0, 0, 0, 0, 8, 0, 0, 0, 0, 0, 0, 0, 0, 0, 0, 221,  
208, 0, 0, 0, 0, 0, 0, 0, 0, 0, 0, 0, 0, 0, 0, 0, 0, 0, 0,  
0, 128, 136, 0, 136, 8, 136, 136, 131, 131, 51, 51, 51, 51, 51, 51, 136, 136, 128,  
128, 8, 0, 0, 0, 0, 0, 8, 0, 128, 8, 0, 136, 131, 51, 51, 136, 136, 8,  
0, 128, 128, 0, 128, 128, 0, 136, 8, 8, 8, 136, 131, 51, 51, 51, 131, 51, 51, 59,  
59, 177, 30, 238, 230, 102, 22, 102, 97, 22, 102, 102, 102, 17, 102, 22, 22, 102, 102,  
102,  
97, 17, 22, 17, 17, 187, 187, 187, 187, 123, 17, 238, 238, 148, 148, 73, 73, 66, 226,  
238,  
226, 238, 238, 238, 238, 238, 238, 238, 110, 102, 238, 238, 238, 22, 22, 102, 22, 30,  
30, 230,  
17, 110, 102, 102, 97, 97, 17, 27, 187, 179, 187, 51, 187, 187, 187, 235, 187, 190,  
235, 235,  
238, 190, 30, 27, 187, 187, 187, 187, 177, 190, 238, 238, 102, 238, 225, 27, 179, 51,  
51, 51,  
136, 131, 51, 61, 51, 51, 187, 187, 238, 238, 110, 110, 110, 225, 17, 187, 179, 59,  
59, 59,

51, 51, 51, 131, 51, 51, 51, 51, 51, 61, 211, 136, 56, 216, 216, 216, 136, 56, 131,  
131,  
51, 59, 59, 51, 136, 136, 8, 128, 128, 0, 0, 0, 8, 0, 0, 8, 0, 128, 0, 0,  
128, 136, 136, 56, 56, 56, 136, 136, 136, 136, 136, 128, 128, 0, 0, 128, 0, 0, 0, 0,  
0, 0, 0, 0, 8, 0, 136, 131, 51, 179, 51, 187, 51, 51, 51, 51, 59, 179, 51,  
56, 136, 136, 136, 8, 8, 0, 0, 0, 0, 0, 0, 0, 0, 0, 0, 0, 0, 0, 0,  
0, 0, 0, 0, 0, 0, 0, 0, 0, 0, 0, 0, 0, 0, 0, 0, 0, 0, 13,  
208, 0, 0, 0, 0, 0, 0, 0, 0, 0, 0, 0, 0, 0, 0, 0, 0, 0, 0, 0,  
0, 8, 0, 136, 8, 136, 136, 136, 136, 51, 51, 179, 51, 51, 51, 51, 136, 136, 136, 0,  
0, 128, 0, 128, 0, 128, 0, 0, 0, 0, 0, 128, 136, 8, 51, 51, 56, 136, 136, 128,  
128, 8, 0, 128, 0, 0, 128, 128, 128, 128, 136, 136, 131, 51, 187, 56, 136, 136, 56, 51,  
187, 17, 30, 102, 102, 102, 97, 17, 22, 97, 102, 22, 22, 102, 22, 97, 102, 22, 102,  
102,  
102, 97, 17, 17, 27, 187, 179, 59, 187, 187, 235, 238, 231, 233, 68, 148, 153, 110,  
46, 226,  
238, 166, 230, 238, 238, 238, 238, 230, 230, 238, 238, 230, 22, 97, 97, 17, 225, 30,  
225, 225,  
230, 230, 102, 102, 22, 22, 17, 27, 187, 59, 51, 179, 179, 59, 177, 190, 190, 187,  
190, 177,  
187, 235, 235, 187, 27, 187, 187, 187, 187, 187, 190, 238, 238, 110, 225, 17, 187,  
51, 51, 56,  
51, 56, 141, 51, 51, 51, 187, 190, 190, 238, 230, 102, 110, 238, 17, 187, 187, 51, 51,  
51,  
51, 56, 136, 56, 131, 51, 51, 51, 51, 211, 61, 131, 136, 136, 136, 136, 136, 136, 56,  
56,  
51, 59, 187, 179, 51, 136, 128, 136, 8, 0, 8, 0, 0, 0, 0, 0, 0, 0, 128,  
136, 136, 136, 136, 56, 131, 131, 136, 136, 136, 0, 0, 0, 128, 0, 0, 0, 0, 0,  
0, 0, 0, 0, 0, 0, 136, 8, 136, 136, 51, 59, 51, 51, 51, 51, 51, 51, 59, 179,  
51, 56, 136, 136, 128, 128, 128, 128, 0, 0, 0, 0, 0, 0, 0, 0, 0, 0,  
0, 0, 0, 0, 0, 0, 0, 0, 0, 0, 0, 0, 0, 0, 0, 0, 0, 0,  
0, 0, 0, 0, 0, 0, 0, 0, 0, 0, 0, 0, 0, 0, 0, 0, 13,  
0, 128, 128, 0, 136, 8, 136, 136, 51, 51, 51, 51, 51, 51, 51, 51, 56, 56, 136, 128, 128,  
128, 0, 0, 0, 0, 0, 0, 0, 0, 128, 0, 8, 131, 131, 51, 136, 136, 128, 0,



128, 128, 0, 0, 0, 128, 0, 128, 136, 8, 128, 136, 51, 51, 51, 51, 131, 131, 51, 59,  
187, 177, 238, 230, 110, 97, 102, 102, 97, 22, 22, 97, 97, 17, 97, 102, 22, 97, 102,  
97,  
97, 22, 17, 17, 27, 179, 59, 179, 187, 187, 113, 113, 230, 46, 146, 153, 78, 46, 234,  
238,  
238, 46, 238, 238, 238, 238, 238, 238, 102, 110, 238, 238, 97, 102, 102, 110, 30, 17,  
30, 22,  
17, 97, 102, 22, 102, 97, 17, 27, 179, 179, 59, 51, 59, 187, 187, 187, 187, 190, 187,  
235,  
190, 190, 17, 235, 187, 187, 187, 187, 187, 190, 17, 30, 238, 110, 238, 17, 187, 51,  
51, 51,  
136, 131, 51, 136, 61, 51, 59, 187, 190, 30, 238, 110, 110, 238, 17, 27, 187, 179,  
179, 51,  
51, 51, 56, 131, 131, 51, 51, 51, 51, 51, 211, 136, 131, 216, 136, 216, 136, 136, 136,  
131,  
136, 51, 59, 59, 51, 136, 136, 0, 128, 128, 0, 0, 0, 8, 0, 128, 0, 0, 128, 0,  
0, 0, 136, 136, 131, 56, 56, 136, 136, 136, 136, 136, 128, 8, 8, 0, 0, 0, 0, 0,  
0, 0, 0, 0, 0, 0, 128, 136, 136, 131, 51, 59, 187, 51, 56, 51, 51, 51, 59,  
51, 51, 136, 136, 136, 128, 8, 0, 128, 128, 0, 0, 0, 0, 0, 0, 0, 0, 0, 0,  
0,  
0,  
0, 128, 8, 136, 8, 136, 136, 131, 131, 51, 51, 51, 51, 51, 51, 136, 136, 136, 0, 0,  
0, 0, 0, 0, 0, 0, 8, 0, 8, 0, 0, 136, 136, 136, 51, 56, 56, 136, 8, 128,  
0, 0, 0, 128, 128, 8, 0, 8, 0, 136, 136, 136, 51, 59, 51, 136, 136, 56, 51, 59,  
59, 17, 238, 230, 230, 102, 17, 17, 22, 102, 102, 22, 22, 102, 22, 22, 97, 102, 97,  
102,  
22, 17, 17, 17, 27, 187, 179, 59, 187, 187, 27, 238, 126, 238, 118, 238, 226, 234, 46,  
238,  
46, 238, 238, 238, 238, 17, 225, 238, 238, 238, 225, 22, 22, 97, 97, 17, 97, 30, 17,  
225,  
238, 230, 102, 102, 97, 22, 17, 187, 187, 59, 51, 51, 179, 59, 187, 190, 177, 187,  
235, 177,

187, 27, 30, 187, 187, 187, 179, 179, 187, 187, 190, 30, 238, 230, 225, 17, 187, 179,  
51, 136,  
51, 136, 136, 56, 211, 51, 51, 59, 235, 238, 238, 102, 110, 110, 17, 27, 187, 51, 51,  
51,  
51, 51, 131, 136, 56, 51, 51, 51, 51, 211, 56, 131, 136, 136, 61, 136, 136, 136, 136,  
56,  
51, 51, 59, 187, 51, 56, 136, 136, 8, 0, 128, 0, 0, 0, 0, 0, 0, 0, 0, 8,  
0, 128, 128, 136, 136, 131, 136, 56, 136, 136, 136, 0, 8, 0, 0, 0, 0, 0, 0,  
0, 0, 0, 0, 0, 0, 8, 0, 136, 136, 51, 51, 59, 51, 51, 56, 51, 51, 51,  
59, 51, 51, 136, 136, 136, 128, 0, 0, 0, 0, 0, 0, 0, 0, 0, 0, 0, 0,  
0, 0, 0, 0, 0, 0, 0, 0, 0, 0, 0, 0, 0, 0, 0, 0, 0, 0,  
0, 0, 0, 0, 0, 0, 0, 0, 0, 0, 0, 0, 0, 0, 0, 0, 0, 0,  
128, 8, 128, 8, 136, 136, 136, 131, 51, 51, 51, 51, 51, 51, 56, 136, 136, 0, 0, 8,  
0, 0, 0, 0, 0, 0, 0, 0, 8, 8, 8, 8, 51, 51, 56, 136, 8, 0, 8,  
0, 0, 0, 0, 0, 128, 136, 0, 136, 0, 141, 131, 131, 51, 51, 136, 56, 131, 131, 59,  
187, 17, 238, 110, 102, 97, 97, 97, 97, 17, 97, 97, 97, 17, 97, 97, 102, 22, 102, 22,  
97, 97, 17, 17, 187, 51, 51, 179, 59, 187, 177, 177, 238, 226, 98, 34, 46, 226, 238,  
238,  
234, 238, 238, 238, 17, 238, 30, 238, 110, 238, 22, 238, 97, 22, 22, 225, 17, 17, 225,  
30,  
30, 230, 22, 102, 22, 97, 17, 27, 179, 179, 51, 179, 51, 179, 187, 187, 187, 190, 190,  
187,  
235, 190, 187, 177, 187, 187, 59, 187, 187, 187, 177, 238, 238, 238, 110, 17, 187,  
51, 51, 51,  
136, 56, 56, 131, 131, 51, 51, 187, 187, 27, 238, 110, 102, 238, 17, 27, 187, 179, 51,  
51,  
51, 51, 56, 136, 136, 131, 51, 51, 56, 56, 51, 136, 61, 136, 136, 136, 136, 136, 136,  
136,  
136, 131, 51, 59, 179, 51, 136, 128, 128, 128, 0, 8, 0, 0, 0, 0, 0, 13, 0, 0,  
8, 8, 8, 8, 136, 136, 131, 131, 136, 136, 136, 8, 128, 128, 128, 0, 0, 0, 0, 0,  
0, 0, 0, 0, 0, 0, 0, 136, 8, 136, 131, 51, 51, 59, 51, 51, 56, 51, 51,  
51, 51, 51, 56, 136, 136, 8, 136, 8, 0, 8, 0, 0, 0, 0, 0, 0, 0, 0,  
0, 0, 0, 0, 0, 0, 0, 0, 0, 0, 0, 0, 0, 0, 0, 0, 0, 0,

0, 0, 0, 0, 0, 0, 0, 0, 0, 0, 0, 0, 0, 0, 0, 0, 0, 0, 13, 8,  
8, 0, 8, 128, 128, 136, 136, 56, 51, 51, 51, 51, 51, 136, 136, 128, 128, 128, 0,  
0, 0, 0, 0, 0, 0, 0, 0, 0, 8, 8, 136, 51, 51, 136, 128, 128, 128, 0,  
128, 8, 0, 8, 0, 0, 0, 136, 8, 136, 8, 131, 51, 179, 56, 136, 136, 51, 51, 59,  
177, 17, 238, 230, 97, 22, 22, 22, 22, 102, 22, 22, 17, 97, 102, 22, 22, 97, 102, 102,  
17, 17, 17, 17, 187, 179, 59, 59, 179, 187, 123, 231, 30, 231, 110, 238, 114, 238,  
238, 238,  
230, 238, 238, 225, 30, 190, 238, 238, 230, 238, 225, 30, 22, 102, 97, 22, 17, 225,  
17, 17,  
225, 225, 102, 22, 97, 97, 17, 187, 187, 51, 51, 51, 51, 59, 59, 177, 187, 187, 187,  
235,  
187, 27, 225, 235, 187, 187, 179, 179, 187, 187, 187, 190, 30, 230, 238, 17, 27, 179,  
51, 56,  
56, 136, 136, 56, 56, 211, 51, 51, 187, 238, 238, 230, 110, 110, 238, 17, 187, 187,  
59, 51,  
51, 56, 51, 131, 131, 131, 51, 51, 51, 51, 136, 56, 136, 136, 216, 216, 136, 136, 136,  
136,  
131, 136, 51, 51, 187, 51, 136, 136, 136, 0, 128, 0, 0, 0, 0, 0, 0, 0, 0,  
0, 0, 0, 136, 8, 136, 56, 136, 131, 136, 136, 136, 8, 0, 0, 128, 0, 0, 0, 0,  
0, 0, 0, 0, 0, 0, 0, 0, 128, 136, 136, 131, 51, 51, 51, 51, 51, 131, 51,  
51, 51, 51, 56, 136, 136, 128, 0, 128, 8, 0, 0, 0, 0, 0, 0, 0, 0,  
0, 0, 0, 0, 0, 0, 0, 0, 0, 0, 0, 0, 0, 0, 0, 0, 0, 0,  
0, 0, 0, 0, 0, 0, 0, 0, 0, 0, 0, 0, 0, 0, 0, 0, 0, 0,  
0, 136, 128, 136, 136, 136, 56, 51, 51, 51, 51, 51, 136, 136, 136, 8, 8, 0, 128,  
0, 0, 0, 0, 0, 0, 0, 8, 8, 0, 136, 131, 51, 136, 136, 8, 8, 8, 0,  
0, 0, 0, 0, 8, 8, 128, 0, 128, 136, 136, 131, 59, 51, 136, 136, 131, 136, 51, 59,  
177, 30, 238, 110, 102, 97, 17, 17, 17, 22, 97, 97, 22, 17, 17, 102, 97, 102, 97, 97,  
97, 97, 17, 27, 179, 51, 51, 51, 59, 59, 187, 177, 238, 238, 98, 98, 110, 110, 174,  
238,  
238, 238, 238, 30, 17, 225, 30, 238, 238, 225, 238, 238, 97, 17, 22, 17, 17, 17, 17,  
17,  
30, 230, 22, 102, 102, 22, 17, 27, 179, 51, 51, 51, 51, 59, 187, 187, 177, 187, 27,  
187,

177, 177, 187, 187, 187, 179, 59, 59, 51, 187, 190, 190, 30, 238, 238, 225, 187, 179,  
179, 131,  
136, 56, 56, 136, 131, 61, 51, 51, 187, 177, 30, 238, 102, 110, 225, 17, 187, 179, 51,  
51,  
131, 51, 136, 56, 136, 136, 131, 51, 56, 131, 51, 131, 131, 136, 136, 141, 128, 136,  
136, 136,  
136, 56, 51, 51, 179, 179, 56, 136, 0, 136, 0, 0, 0, 0, 0, 0, 0, 0, 0, 0,  
0, 8, 0, 8, 128, 136, 136, 56, 136, 136, 136, 128, 128, 128, 128, 0, 128, 0, 0, 0,  
0, 0, 0, 0, 0, 0, 0, 0, 0, 128, 136, 136, 51, 51, 51, 51, 51, 56, 131,  
51, 51, 51, 51, 56, 136, 136, 128, 0, 128, 0, 0, 0, 0, 0, 0, 0, 0, 0, 0,  
0,  
0, 0, 0, 0, 0, 0, 0, 0, 0, 0, 0, 0, 0, 0, 0, 0, 0, 0, 128,  
128, 0, 8, 8, 136, 136, 131, 51, 51, 51, 51, 56, 56, 56, 136, 136, 0, 0, 0, 0,  
0, 0, 0, 0, 0, 0, 0, 0, 0, 136, 136, 131, 51, 131, 128, 128, 128, 0, 0,  
0, 0, 221, 0, 0, 0, 13, 128, 128, 8, 136, 56, 51, 56, 56, 136, 136, 51, 51, 187,  
177, 17, 238, 102, 22, 17, 97, 97, 102, 97, 22, 17, 17, 97, 102, 17, 22, 97, 102, 102,  
17, 17, 17, 27, 179, 179, 51, 51, 59, 179, 187, 177, 30, 238, 238, 238, 238, 238, 238,  
238,  
238, 238, 225, 17, 225, 17, 238, 238, 238, 238, 17, 225, 22, 102, 30, 97, 17, 17, 17,  
30,  
17, 30, 97, 97, 97, 97, 17, 187, 59, 59, 51, 51, 51, 51, 179, 187, 187, 187, 177, 190,  
187, 187, 17, 235, 187, 187, 179, 179, 187, 179, 187, 190, 238, 238, 238, 225, 27,  
179, 51, 56,  
56, 136, 136, 131, 136, 131, 131, 51, 59, 177, 30, 238, 230, 230, 225, 17, 187, 187,  
51, 51,  
51, 131, 51, 136, 131, 131, 51, 51, 51, 56, 131, 56, 136, 136, 136, 128, 136, 8, 8,  
136,  
136, 136, 136, 51, 59, 51, 51, 136, 136, 0, 136, 8, 0, 0, 0, 0, 0, 0, 0, 0,  
0, 0, 8, 0, 136, 136, 136, 136, 131, 136, 136, 136, 136, 8, 0, 128, 0, 0, 0, 0,  
0, 0, 0, 0, 0, 0, 0, 0, 0, 8, 8, 136, 136, 51, 51, 179, 51, 56, 56,  
51, 51, 51, 51, 51, 136, 136, 136, 136, 0, 208, 0, 0, 0, 0, 0, 0, 0, 0, 0,  
0,  
0, 0, 0, 0, 0, 0, 0, 0, 0, 0, 0, 0, 0, 0, 0, 0, 13, 0, 8,

8, 136, 136, 136, 136, 131, 56, 51, 51, 51, 51, 51, 136, 136, 136, 0, 8, 0, 0, 0,  
0, 0, 0, 0, 0, 0, 0, 0, 128, 8, 8, 136, 51, 136, 136, 136, 0, 0, 128, 0,  
128, 13, 61, 128, 0, 136, 0, 8, 8, 128, 136, 51, 59, 56, 136, 136, 131, 131, 51, 59,  
17, 30, 238, 238, 97, 22, 17, 17, 17, 22, 97, 22, 17, 22, 17, 102, 97, 102, 97, 17,  
17, 17, 17, 187, 179, 51, 51, 51, 51, 187, 187, 187, 23, 238, 230, 98, 238, 238, 238,  
238,  
238, 238, 30, 27, 17, 225, 17, 238, 238, 225, 225, 238, 225, 22, 17, 17, 17, 17, 17,  
17,  
30, 30, 230, 102, 102, 17, 17, 187, 179, 51, 51, 51, 51, 51, 59, 187, 187, 187, 187,  
27,  
187, 27, 187, 177, 187, 179, 59, 59, 51, 187, 187, 187, 190, 238, 238, 225, 27, 187,  
51, 56,  
136, 136, 136, 136, 136, 141, 131, 51, 59, 187, 17, 238, 110, 110, 102, 17, 27, 187,  
51, 51,  
56, 51, 56, 51, 136, 136, 136, 131, 51, 51, 56, 131, 131, 136, 136, 136, 136, 136,  
136, 8,  
136, 136, 131, 131, 51, 187, 51, 136, 136, 128, 0, 0, 0, 0, 0, 0, 0, 0, 0, 0,  
0, 0, 0, 0, 0, 8, 136, 136, 136, 136, 136, 136, 8, 0, 128, 0, 8, 0, 0, 0,  
0, 0, 0, 0, 0, 0, 0, 0, 0, 0, 8, 136, 136, 131, 51, 51, 51, 51, 131,  
136, 131, 51, 51, 51, 56, 136, 136, 0, 128, 0, 128, 0, 0, 0, 0, 0, 0, 0,  
0, 0, 0, 0, 0, 0, 0, 0, 0, 0, 0, 0, 0, 0, 0, 0, 0, 0, 0,  
0, 0, 0, 0, 0, 0, 0, 0, 0, 0, 0, 0, 0, 0, 0, 0, 0, 8, 0,  
128, 128, 128, 136, 136, 136, 51, 51, 56, 56, 56, 136, 56, 136, 128, 128, 0, 0, 0, 0,  
0, 0, 0, 0, 0, 0, 0, 0, 128, 136, 131, 51, 131, 136, 0, 128, 128, 0, 0,  
0, 0, 221, 0, 0, 0, 128, 128, 136, 136, 136, 51, 51, 136, 136, 136, 136, 56, 51, 187,  
17, 30, 230, 102, 17, 97, 17, 97, 102, 97, 17, 17, 97, 17, 22, 17, 102, 97, 102, 102,  
17, 17, 27, 187, 51, 51, 51, 51, 51, 51, 187, 177, 17, 30, 238, 238, 238, 238, 225,  
190,  
238, 238, 27, 238, 27, 17, 238, 225, 238, 238, 17, 30, 22, 17, 97, 17, 17, 17, 177, 17,  
17, 225, 230, 22, 17, 97, 17, 187, 179, 51, 51, 51, 56, 51, 59, 187, 187, 187, 187,  
187,  
187, 187, 27, 235, 187, 187, 179, 51, 59, 59, 187, 190, 235, 238, 238, 238, 27, 179,  
51, 51,

131, 131, 136, 136, 136, 56, 61, 51, 51, 187, 177, 30, 238, 110, 17, 17, 27, 187, 59,  
51,  
51, 136, 51, 136, 131, 136, 131, 51, 51, 131, 131, 56, 136, 136, 136, 136, 8, 8, 8,  
136,  
136, 136, 136, 56, 51, 51, 179, 51, 136, 136, 128, 128, 8, 0, 0, 0, 0, 0, 0, 0,  
0, 0, 0, 128, 128, 128, 8, 136, 136, 136, 136, 136, 136, 136, 8, 8, 0, 0, 128, 0,  
0, 0, 0, 0, 0, 0, 0, 0, 0, 0, 0, 0, 0, 0, 136, 136, 131, 51, 51, 51, 56,  
51, 56, 51, 51, 51, 51, 136, 136, 136, 8, 128, 0, 128, 0, 0, 0, 0, 0, 0, 0,  
0,  
0, 0, 0, 0, 0, 0, 0, 0, 0, 0, 0, 0, 0, 0, 0, 0, 0, 0, 0, 136,  
8, 8, 136, 136, 136, 51, 51, 56, 51, 51, 51, 56, 136, 128, 8, 0, 0, 0, 0, 0,  
0, 0, 0, 0, 0, 0, 0, 8, 8, 136, 131, 131, 136, 128, 128, 0, 0, 13, 0,  
0, 0, 208, 0, 128, 128, 0, 8, 0, 136, 131, 51, 51, 136, 128, 136, 131, 51, 51, 187,  
17, 30, 238, 225, 97, 17, 17, 22, 17, 17, 97, 17, 17, 97, 97, 102, 22, 22, 97, 17,  
17, 17, 27, 187, 51, 51, 51, 51, 51, 187, 59, 187, 177, 238, 230, 238, 238, 238, 17,  
238,  
238, 17, 238, 187, 30, 190, 177, 238, 238, 17, 30, 17, 225, 97, 30, 30, 17, 27, 27, 17,  
17, 30, 225, 102, 102, 17, 17, 187, 51, 51, 51, 51, 51, 51, 51, 179, 187, 187, 187,  
187,  
235, 177, 177, 187, 187, 179, 51, 179, 179, 179, 187, 187, 190, 238, 238, 225, 17,  
187, 51, 56,  
136, 136, 136, 136, 136, 216, 136, 131, 51, 59, 187, 225, 238, 102, 102, 225, 27,  
187, 51, 51,  
56, 51, 136, 131, 136, 136, 136, 136, 131, 56, 56, 51, 56, 131, 136, 128, 128, 128,  
136, 8,  
128, 136, 136, 136, 51, 51, 179, 51, 136, 128, 8, 8, 221, 208, 0, 208, 0, 0, 0, 0,  
0, 0, 0, 0, 0, 8, 128, 136, 136, 136, 136, 136, 128, 128, 128, 128, 128, 128, 0, 0,  
0, 0, 0, 0, 0, 0, 0, 0, 0, 0, 0, 0, 128, 136, 136, 136, 131, 51, 51, 51,  
136, 131, 131, 51, 51, 51, 51, 136, 136, 128, 8, 0, 0, 0, 0, 0, 0, 0, 0, 0,  
0,  
0, 0, 0, 0, 0, 0, 0, 0, 0, 0, 0, 0, 0, 0, 0, 0, 208, 128, 0,  
136, 136, 136, 136, 131, 131, 56, 51, 56, 56, 56, 136, 136, 128, 128, 0, 0, 0, 0, 0,  
0, 0, 0, 0, 0, 0, 0, 0, 136, 136, 51, 56, 136, 8, 8, 0, 128, 0, 0,

0, 0, 0, 0, 0, 0, 128, 128, 136, 8, 131, 51, 56, 136, 136, 136, 136, 51, 59, 187,  
17, 238, 238, 110, 17, 17, 97, 17, 22, 97, 17, 17, 17, 17, 22, 17, 102, 102, 22, 97,  
17, 17, 187, 179, 51, 51, 56, 51, 51, 51, 179, 187, 17, 30, 238, 238, 238, 225, 17,  
190,  
17, 225, 187, 225, 27, 225, 238, 30, 30, 30, 17, 30, 17, 30, 225, 17, 17, 177, 17, 177,  
17, 17, 230, 225, 97, 97, 17, 187, 179, 51, 51, 136, 51, 131, 51, 187, 187, 187, 187,  
187,  
187, 187, 187, 17, 187, 179, 179, 51, 51, 59, 59, 187, 190, 190, 238, 238, 27, 187,  
51, 51,  
136, 56, 136, 136, 136, 136, 216, 56, 51, 59, 187, 30, 30, 238, 97, 17, 17, 187, 179,  
51,  
51, 131, 51, 56, 131, 136, 136, 131, 51, 51, 56, 56, 131, 136, 136, 136, 136, 136,  
128, 136,  
136, 136, 136, 136, 136, 51, 59, 51, 56, 136, 128, 0, 61, 208, 221, 208, 0, 0, 0, 0,  
0, 0, 0, 0, 8, 0, 8, 8, 136, 136, 136, 136, 136, 136, 8, 0, 0, 0, 0, 0,  
0, 0, 0, 0, 0, 0, 0, 0, 0, 0, 0, 0, 0, 8, 136, 136, 51, 51, 51,  
56, 56, 136, 131, 51, 51, 56, 56, 136, 136, 128, 128, 8, 0, 0, 0, 0, 0, 0, 0,  
0,  
0, 0, 0, 0, 0, 0, 0, 0, 0, 0, 0, 0, 0, 0, 0, 0, 0, 8, 136,  
0, 128, 136, 136, 56, 51, 51, 56, 51, 131, 136, 136, 128, 0, 0, 0, 0, 0, 0, 0,  
0, 0, 0, 0, 0, 0, 8, 8, 8, 131, 56, 56, 136, 0, 0, 0, 0, 0, 0,  
0, 0, 0, 0, 8, 8, 8, 8, 8, 136, 51, 51, 136, 136, 8, 136, 131, 56, 59, 177,  
17, 17, 230, 17, 17, 17, 17, 97, 97, 17, 17, 17, 17, 17, 97, 102, 17, 22, 97, 17,  
17, 17, 187, 179, 51, 56, 51, 136, 51, 51, 59, 187, 177, 30, 238, 238, 238, 17, 17,  
225,  
238, 17, 225, 187, 177, 177, 17, 238, 238, 225, 17, 225, 225, 225, 225, 225, 27, 27,  
177, 17,  
17, 30, 225, 102, 22, 17, 17, 187, 51, 51, 51, 51, 131, 51, 51, 59, 187, 59, 59, 187,  
187, 187, 187, 187, 187, 179, 59, 51, 179, 179, 179, 187, 187, 238, 238, 238, 17,  
187, 179, 56,  
56, 136, 136, 136, 136, 136, 136, 131, 131, 51, 187, 17, 30, 230, 230, 97, 17, 27, 59,  
51,

56, 56, 136, 131, 136, 136, 136, 136, 136, 56, 51, 131, 136, 56, 136, 136, 136, 0,  
136, 221,

216, 8, 136, 136, 56, 51, 51, 179, 51, 136, 136, 136, 13, 0, 3, 208, 0, 0, 0, 0,  
0, 0, 0, 0, 0, 0, 128, 0, 136, 136, 136, 136, 136, 136, 8, 136, 8, 0, 128, 0,  
0, 0, 0, 0, 0, 0, 0, 0, 0, 0, 0, 0, 0, 0, 128, 136, 136, 136, 136, 51, 51,  
51, 131, 131, 136, 51, 51, 51, 131, 136, 136, 8, 8, 0, 8, 0, 0, 0, 0, 0, 0,  
0,  
0, 0, 0, 0, 0, 0, 0, 0, 0, 0, 0, 0, 0, 0, 0, 0, 13, 0, 0, 0,  
136, 136, 136, 131, 131, 51, 56, 51, 131, 56, 56, 136, 0, 128, 0, 0, 0, 0, 0, 0,  
0, 0, 0, 0, 0, 0, 0, 0, 128, 136, 131, 131, 136, 136, 0, 128, 0, 0, 0, 0, 0,  
0, 0, 0, 128, 0, 0, 0, 128, 128, 136, 51, 51, 136, 136, 136, 8, 56, 51, 59, 187,  
17, 238, 225, 97, 17, 17, 17, 17, 22, 22, 17, 17, 17, 17, 22, 17, 102, 97, 97, 17,  
17, 27, 187, 51, 51, 51, 131, 51, 51, 51, 179, 187, 177, 17, 238, 238, 225, 17, 177,

190,

17, 17, 187, 17, 17, 17, 30, 17, 225, 17, 225, 17, 30, 30, 30, 17, 17, 177, 177, 187,  
17, 17, 30, 238, 97, 17, 17, 187, 179, 51, 56, 131, 56, 51, 51, 51, 187, 187, 187, 187,  
187, 187, 187, 17, 187, 187, 51, 51, 51, 51, 59, 179, 190, 177, 30, 238, 17, 27, 51,

51,

131, 136, 136, 136, 8, 136, 136, 136, 51, 51, 59, 177, 30, 238, 110, 22, 17, 27, 179,

179,

51, 131, 51, 136, 56, 136, 136, 136, 56, 51, 131, 136, 56, 136, 136, 136, 8, 136, 8,

59,

216, 136, 8, 136, 136, 131, 51, 51, 56, 56, 128, 0, 128, 128, 0, 0, 0, 0, 0, 0,  
0, 0, 0, 0, 0, 0, 8, 8, 136, 136, 136, 136, 8, 128, 128, 128, 128, 0, 0,  
0, 0, 0, 0, 0, 0, 0, 0, 0, 0, 0, 0, 0, 0, 8, 136, 136, 51, 51,  
56, 56, 56, 56, 131, 131, 51, 56, 56, 136, 136, 0, 128, 0, 0, 0, 0, 0, 0, 0,  
0,  
0, 0, 0, 0, 0, 0, 0, 0, 0, 0, 0, 0, 0, 0, 0, 0, 8, 8, 136,  
8, 8, 136, 56, 51, 56, 51, 136, 56, 136, 136, 128, 128, 0, 128, 0, 0, 0, 0, 0,  
0, 0, 0, 0, 0, 0, 128, 8, 136, 56, 56, 136, 0, 128, 0, 0, 0, 0, 0,  
0, 0, 0, 0, 0, 128, 8, 8, 8, 131, 51, 56, 136, 136, 8, 136, 131, 51, 59, 177,  
17, 30, 97, 17, 17, 17, 17, 97, 97, 17, 17, 17, 17, 17, 97, 102, 22, 22, 22, 17,



17, 27, 187, 179, 51, 136, 56, 131, 131, 51, 59, 187, 177, 17, 225, 225, 17, 17, 27,  
225,  
30, 27, 17, 187, 187, 27, 225, 238, 30, 17, 17, 17, 225, 17, 225, 17, 177, 187, 187,  
17,  
17, 17, 238, 230, 22, 97, 17, 179, 51, 51, 51, 56, 131, 136, 51, 59, 59, 179, 187, 187,  
187, 187, 187, 187, 187, 179, 51, 179, 51, 59, 51, 187, 187, 30, 238, 30, 17, 187,  
179, 51,  
136, 136, 136, 8, 136, 128, 136, 136, 131, 51, 59, 177, 17, 238, 230, 97, 17, 27, 187,  
51,  
51, 56, 136, 56, 136, 56, 136, 136, 136, 56, 51, 56, 131, 136, 56, 136, 128, 128, 136,  
221,  
136, 0, 136, 136, 136, 136, 51, 51, 179, 56, 136, 136, 0, 0, 0, 0, 0, 0, 0, 0,  
0, 0, 0, 0, 0, 0, 8, 0, 128, 8, 136, 136, 136, 136, 8, 8, 0, 0, 128, 0,  
0, 0, 0, 0, 0, 0, 0, 0, 0, 0, 0, 0, 0, 0, 8, 8, 8, 136, 136, 131,  
51, 51, 131, 131, 136, 56, 51, 51, 131, 136, 136, 136, 0, 128, 8, 0, 0, 0, 0, 0,  
0,  
0, 0, 0, 0, 0, 0, 0, 0, 0, 0, 0, 0, 0, 0, 0, 0, 128, 128, 8,  
136, 136, 136, 131, 56, 51, 131, 51, 131, 136, 136, 8, 0, 0, 0, 0, 0, 0, 0,  
0, 0, 0, 0, 0, 0, 8, 136, 131, 131, 136, 136, 128, 0, 0, 0, 128, 0, 0,  
0, 0, 0, 0, 0, 0, 128, 128, 136, 131, 131, 136, 136, 128, 136, 136, 51, 131, 187, 177,  
17, 97, 22, 17, 17, 17, 17, 17, 17, 17, 17, 17, 17, 17, 17, 17, 17, 97, 97, 97, 17,  
17, 187, 179, 51, 56, 51, 131, 56, 51, 51, 59, 59, 177, 17, 238, 238, 17, 27, 177, 17,  
235, 17, 187, 27, 17, 177, 17, 30, 238, 30, 17, 17, 17, 225, 225, 17, 187, 27, 187,  
187,  
27, 17, 17, 225, 97, 17, 17, 187, 51, 51, 56, 136, 56, 51, 51, 51, 179, 187, 59, 187,  
187, 187, 187, 187, 187, 179, 179, 51, 51, 51, 51, 59, 187, 187, 17, 238, 225, 27,  
179, 51,  
136, 56, 136, 136, 8, 136, 136, 136, 136, 131, 59, 187, 17, 238, 238, 97, 97, 27, 187,  
51,  
51, 131, 51, 136, 56, 136, 136, 136, 136, 131, 56, 51, 56, 56, 136, 136, 136, 128,  
128, 8,  
0, 136, 128, 136, 136, 136, 131, 51, 51, 51, 136, 136, 0, 8, 0, 0, 0, 0, 0,  
0, 0, 0, 0, 0, 0, 0, 0, 128, 136, 136, 136, 136, 136, 136, 136, 128, 8, 8,

0, 0, 0, 0, 0, 0, 0, 0, 0, 0, 0, 0, 0, 0, 0, 0, 128, 136, 136, 136,  
51, 51, 56, 56, 56, 131, 131, 131, 51, 131, 136, 136, 128, 8, 0, 0, 0, 0, 0, 0,  
0,  
0, 0, 0, 0, 0, 0, 13, 0, 0, 0, 0, 0, 0, 0, 0, 208, 128, 8, 8, 128,  
128, 136, 131, 56, 131, 131, 56, 136, 56, 136, 128, 128, 0, 0, 0, 0, 0, 0, 0,  
0, 0, 0, 0, 0, 0, 8, 0, 136, 136, 56, 136, 128, 0, 128, 0, 0, 0, 0, 0,  
0, 0, 0, 8, 0, 128, 128, 8, 136, 51, 51, 136, 136, 8, 136, 136, 131, 51, 187, 17,  
17, 230, 225, 17, 17, 17, 17, 97, 17, 17, 17, 177, 17, 17, 22, 97, 102, 22, 17, 17,  
27, 187, 179, 51, 56, 136, 56, 131, 131, 51, 51, 187, 177, 17, 17, 17, 17, 17, 187, 17,  
190, 177, 177, 187, 187, 27, 30, 17, 17, 17, 27, 225, 17, 30, 17, 17, 187, 187, 27, 27,  
17, 17, 30, 230, 22, 17, 27, 179, 179, 51, 136, 56, 131, 136, 131, 51, 59, 179, 179,  
187,  
187, 187, 187, 187, 27, 179, 51, 51, 51, 51, 51, 179, 187, 190, 30, 225, 17, 27, 187,  
51,  
56, 136, 136, 8, 128, 136, 8, 136, 136, 56, 51, 187, 177, 30, 238, 22, 17, 17, 187,  
179,  
51, 56, 136, 136, 136, 136, 136, 136, 136, 136, 51, 136, 131, 136, 136, 136, 128,  
136, 8, 128,  
136, 0, 8, 8, 136, 136, 136, 131, 51, 51, 136, 136, 136, 0, 128, 0, 0, 0, 0, 0,  
0, 0, 0, 0, 0, 0, 0, 0, 8, 0, 8, 8, 136, 8, 128, 128, 0, 8, 0, 0,  
0, 0, 0, 0, 0, 0, 0, 0, 0, 0, 0, 0, 0, 0, 0, 0, 128, 136, 136,  
131, 51, 131, 136, 136, 56, 136, 51, 131, 56, 136, 136, 136, 128, 128, 128, 0, 0, 0, 0,  
0,  
0, 0, 0, 0, 0, 0, 213, 61, 208, 0, 0, 0, 0, 0, 0, 0, 8, 128, 128, 136,  
136, 136, 56, 51, 56, 56, 131, 131, 136, 136, 0, 0, 0, 0, 0, 0, 0, 0, 0, 0,  
0, 0, 0, 0, 0, 0, 136, 8, 51, 131, 136, 0, 128, 0, 0, 0, 0, 0, 0,  
0, 0, 0, 0, 0, 0, 128, 216, 131, 51, 136, 128, 136, 8, 136, 51, 51, 187, 177,  
30, 17, 17, 17, 17, 17, 17, 22, 17, 17, 187, 27, 17, 17, 17, 22, 17, 102, 17, 17,  
187, 187, 179, 51, 131, 131, 136, 56, 56, 51, 59, 59, 177, 17, 30, 225, 17, 187, 17,  
177,  
17, 27, 27, 187, 27, 190, 177, 238, 238, 17, 17, 17, 17, 17, 17, 27, 27, 27, 187, 187,  
177, 17, 17, 225, 97, 17, 17, 187, 51, 51, 51, 136, 56, 131, 51, 51, 59, 187, 59, 59,

187, 179, 187, 187, 187, 59, 51, 51, 51, 51, 51, 59, 187, 187, 17, 238, 225, 27, 179,  
51,  
131, 136, 136, 128, 136, 8, 128, 136, 136, 131, 51, 59, 187, 30, 230, 97, 97, 17, 187,  
59,  
51, 51, 56, 56, 56, 56, 136, 136, 136, 136, 131, 51, 136, 51, 136, 136, 136, 8, 128, 8,  
0, 128, 128, 128, 128, 136, 136, 51, 51, 51, 51, 136, 0, 128, 0, 0, 0, 0, 0, 0,  
0, 0, 0, 0, 0, 0, 0, 0, 8, 8, 136, 136, 136, 8, 136, 136, 128, 128, 128,  
0, 0, 0, 0, 0, 0, 221, 208, 0, 0, 0, 0, 0, 0, 0, 8, 8, 136,  
136, 131, 51, 51, 136, 136, 131, 136, 51, 51, 56, 136, 136, 8, 0, 0, 128, 0, 0, 0,  
0,  
0, 0, 0, 0, 0, 0, 215, 125, 208, 0, 0, 0, 0, 0, 8, 0, 8, 136, 8,  
136, 136, 131, 136, 51, 131, 56, 56, 136, 128, 0, 0, 0, 0, 0, 0, 0, 0, 0,  
0, 0, 0, 0, 0, 8, 8, 131, 136, 136, 128, 128, 0, 0, 0, 0, 0, 0,  
0, 0, 0, 0, 0, 128, 136, 8, 131, 51, 136, 136, 136, 8, 136, 136, 131, 59, 187, 17,  
30, 102, 17, 17, 17, 17, 17, 17, 17, 17, 17, 17, 17, 17, 17, 17, 17, 17, 97, 102, 17, 97, 17,  
187, 187, 51, 51, 56, 56, 131, 131, 51, 51, 51, 187, 187, 17, 17, 17, 27, 27, 187, 17,  
27, 27, 187, 187, 177, 187, 235, 235, 225, 27, 27, 225, 17, 17, 17, 27, 187, 187, 187,  
187,  
27, 17, 17, 22, 17, 97, 27, 187, 51, 51, 136, 131, 136, 56, 136, 51, 51, 51, 179, 179,  
187, 187, 187, 187, 187, 179, 59, 51, 51, 61, 51, 51, 59, 187, 17, 17, 225, 17, 187,  
51,  
136, 131, 136, 8, 128, 128, 136, 136, 136, 136, 131, 59, 187, 17, 225, 102, 22, 17,  
27, 179,  
51, 56, 131, 136, 136, 136, 136, 136, 136, 136, 136, 131, 56, 136, 56, 56, 136, 128,  
136, 0,  
128, 8, 8, 8, 136, 136, 136, 136, 51, 51, 51, 136, 136, 8, 8, 0, 0, 0, 0, 0,  
0, 0, 0, 0, 0, 0, 0, 0, 0, 0, 8, 8, 136, 136, 8, 8, 8, 0, 0,  
128, 0, 0, 0, 0, 0, 13, 125, 221, 0, 0, 0, 0, 0, 0, 0, 0, 128, 8,  
136, 136, 56, 56, 51, 136, 136, 136, 56, 131, 51, 131, 136, 136, 8, 0, 0, 0, 0, 0,  
0,  
0, 0, 0, 0, 0, 211, 221, 208, 0, 0, 0, 0, 8, 0, 136, 128, 8, 136,  
136, 131, 56, 51, 136, 56, 136, 136, 136, 0, 128, 0, 0, 0, 0, 0, 0, 0, 0,  
0, 0, 0, 0, 0, 128, 136, 131, 56, 136, 8, 0, 0, 0, 0, 0, 0, 0, 0,

0, 0, 0, 13, 0, 8, 0, 136, 136, 51, 56, 136, 0, 128, 136, 131, 51, 51, 187, 17,  
17, 17, 17, 17, 177, 177, 17, 97, 17, 27, 187, 17, 17, 17, 22, 22, 17, 97, 17, 27,  
187, 187, 51, 56, 136, 136, 56, 136, 131, 51, 51, 187, 177, 17, 17, 17, 17, 187, 27,  
17,  
17, 177, 187, 187, 187, 27, 17, 30, 17, 17, 17, 177, 17, 30, 17, 17, 177, 187, 187,  
187,  
187, 17, 17, 238, 97, 17, 27, 187, 51, 51, 131, 136, 136, 136, 51, 51, 59, 187, 59,  
187,  
59, 59, 59, 187, 187, 179, 51, 51, 56, 51, 51, 51, 59, 187, 190, 238, 30, 17, 187, 51,  
56, 136, 136, 128, 128, 136, 8, 8, 136, 136, 131, 51, 187, 17, 30, 30, 97, 17, 27, 187,  
51, 51, 56, 136, 136, 136, 136, 136, 136, 136, 131, 136, 131, 56, 136, 136, 136, 136,  
0, 128,  
8, 0, 0, 128, 128, 128, 136, 136, 51, 51, 51, 56, 136, 128, 0, 0, 0, 0, 0, 0,  
0, 0, 0, 0, 0, 0, 0, 0, 0, 0, 128, 128, 136, 136, 128, 128, 128, 128, 136, 0,  
0, 128, 0, 0, 0, 0, 13, 122, 221, 0, 0, 0, 0, 0, 0, 0, 0, 0, 8, 128,  
136, 136, 131, 131, 131, 136, 136, 56, 131, 56, 131, 56, 136, 136, 128, 128, 0, 8, 0,  
0,  
0,  
0, 0, 0, 0, 0, 0, 221, 221, 0, 0, 0, 0, 0, 13, 0, 8, 0, 136, 136, 136,  
136, 136, 51, 136, 56, 131, 136, 136, 128, 8, 0, 0, 0, 0, 0, 0, 0, 0, 0, 0,  
0, 0, 0, 0, 0, 0, 8, 136, 136, 136, 136, 128, 8, 0, 0, 0, 0, 0, 0, 0,  
0, 0, 0, 0, 8, 0, 8, 136, 131, 56, 136, 128, 128, 136, 136, 136, 131, 59, 177, 17,  
22, 17, 17, 17, 17, 17, 17, 17, 177, 177, 187, 17, 177, 17, 22, 102, 17, 17, 27,  
27, 179, 51, 51, 131, 136, 136, 51, 56, 51, 59, 59, 177, 17, 17, 17, 27, 27, 187, 17,  
27, 187, 187, 187, 187, 187, 177, 17, 17, 27, 27, 225, 177, 17, 27, 187, 187, 187,  
187, 187,  
177, 177, 17, 17, 22, 17, 27, 179, 51, 51, 56, 131, 136, 56, 136, 131, 51, 51, 179, 59,  
187, 187, 179, 187, 187, 187, 51, 51, 51, 131, 131, 51, 59, 59, 187, 17, 225, 17, 187,  
51,  
51, 136, 136, 136, 8, 0, 128, 128, 136, 136, 136, 51, 59, 177, 30, 238, 22, 17, 17,  
179,  
179, 51, 56, 131, 136, 131, 136, 136, 8, 8, 136, 131, 56, 136, 56, 136, 136, 136, 136,  
8,

0, 128, 128, 8, 8, 136, 136, 136, 131, 51, 51, 56, 136, 136, 8, 0, 0, 0, 0, 0,  
0, 0, 0, 0, 0, 0, 0, 0, 0, 0, 8, 8, 136, 136, 136, 136, 8, 0, 128,  
128, 0, 0, 0, 0, 0, 13, 221, 208, 0, 0, 0, 0, 0, 0, 0, 0, 0, 8,  
0, 136, 136, 56, 56, 51, 136, 136, 136, 131, 56, 51, 131, 136, 136, 8, 8, 0, 0, 0,  
0,  
0, 0, 0, 0, 0, 0, 0, 0, 0, 0, 0, 0, 0, 8, 0, 136, 8, 128, 136,  
136, 51, 136, 51, 131, 136, 136, 136, 8, 0, 0, 0, 0, 0, 0, 0, 0, 0, 0,  
0, 0, 0, 0, 0, 8, 8, 136, 56, 56, 128, 0, 0, 0, 0, 0, 0, 0, 0,  
0, 0, 0, 0, 0, 8, 128, 136, 56, 56, 136, 8, 8, 136, 136, 131, 51, 187, 177, 17,  
17, 97, 17, 187, 177, 17, 17, 17, 17, 187, 27, 17, 177, 17, 22, 97, 17, 97, 17, 187,  
187, 179, 51, 136, 136, 136, 56, 136, 51, 131, 51, 187, 187, 17, 17, 17, 27, 187, 27,  
27,  
17, 187, 187, 187, 187, 177, 17, 17, 17, 17, 177, 177, 17, 17, 17, 27, 187, 187, 179,  
187,  
187, 177, 177, 238, 97, 17, 27, 187, 51, 56, 136, 136, 136, 131, 131, 51, 51, 179, 51,  
179,  
187, 59, 187, 179, 187, 51, 51, 51, 131, 51, 51, 51, 51, 187, 190, 17, 30, 17, 27, 51,  
56, 56, 136, 8, 128, 136, 8, 136, 8, 8, 131, 131, 59, 187, 17, 238, 97, 97, 17, 187,  
51, 51, 131, 136, 136, 136, 136, 136, 136, 136, 136, 136, 131, 56, 136, 131, 136,  
136, 0, 128,  
8, 8, 8, 0, 128, 128, 136, 136, 136, 131, 51, 51, 56, 136, 128, 8, 0, 0, 0, 0,  
0, 0, 0, 0, 0, 0, 0, 0, 0, 0, 0, 128, 8, 8, 128, 128, 128, 136, 0,  
8, 0, 0, 0, 0, 0, 13, 13, 0, 0, 0, 0, 0, 0, 0, 0, 0, 0, 0,  
128, 128, 136, 216, 51, 136, 51, 136, 136, 136, 131, 136, 56, 136, 136, 128, 128,  
128, 0, 0,  
0,  
0, 0, 0, 0, 0, 0, 0, 0, 0, 0, 0, 0, 208, 128, 136, 8, 128, 136, 136,  
131, 136, 56, 136, 136, 56, 136, 128, 0, 0, 0, 0, 0, 0, 0, 0, 0, 0, 0,  
0, 0, 0, 0, 0, 0, 136, 131, 136, 136, 0, 128, 0, 0, 0, 0, 0, 0, 0,  
0, 0, 0, 0, 0, 128, 8, 136, 51, 136, 128, 128, 128, 8, 136, 131, 131, 187, 187, 17,  
238, 17, 27, 17, 27, 17, 17, 17, 187, 187, 187, 187, 17, 17, 17, 22, 102, 17, 17, 187,  
187, 51, 51, 56, 56, 136, 136, 56, 131, 51, 51, 187, 177, 17, 17, 17, 187, 187, 187,  
17,

187, 187, 187, 187, 187, 187, 177, 17, 17, 177, 27, 27, 27, 27, 27, 187, 187, 187,  
187, 187,  
187, 177, 17, 17, 17, 17, 27, 179, 51, 51, 131, 136, 136, 136, 136, 136, 51, 59, 59,  
51,  
59, 179, 179, 187, 179, 187, 51, 51, 56, 56, 56, 51, 51, 59, 187, 17, 225, 17, 187,  
179,  
51, 136, 136, 128, 136, 8, 128, 0, 136, 136, 136, 131, 51, 187, 17, 225, 230, 17, 17,  
187,  
179, 51, 56, 56, 136, 136, 136, 136, 128, 128, 136, 136, 56, 131, 131, 136, 136, 136,  
136, 8,  
128, 0, 0, 128, 8, 8, 8, 136, 136, 131, 51, 51, 56, 136, 8, 0, 0, 0, 0, 0,  
0, 0, 0, 0, 0, 0, 0, 0, 0, 0, 0, 8, 0, 136, 136, 8, 136, 8, 0, 136,  
0, 128, 128, 0, 0, 0, 0, 0, 0, 0, 0, 0, 0, 0, 0, 0, 0, 0, 0, 0,  
8, 8, 136, 136, 136, 51, 136, 131, 136, 136, 136, 51, 51, 56, 136, 136, 128, 0, 128, 0,  
0,  
0, 0, 0, 0, 0, 0, 0, 0, 0, 0, 0, 0, 0, 0, 0, 128, 136, 136, 136,  
56, 51, 131, 131, 136, 136, 136, 0, 0, 0, 0, 0, 0, 0, 0, 0, 0, 0, 0,  
0, 0, 0, 0, 0, 136, 136, 56, 136, 128, 128, 0, 0, 0, 0, 0, 0, 0, 0,  
0, 0, 0, 0, 0, 136, 136, 56, 136, 136, 0, 8, 136, 136, 131, 51, 187, 17, 17,  
17, 17, 177, 187, 177, 17, 17, 17, 27, 187, 187, 17, 177, 17, 17, 97, 17, 17, 27, 27,  
187, 179, 56, 136, 136, 136, 136, 131, 131, 51, 51, 59, 177, 17, 17, 17, 27, 27, 187,  
177,  
17, 187, 187, 187, 187, 187, 17, 27, 17, 27, 177, 177, 17, 30, 177, 187, 187, 179,  
187, 59,  
187, 177, 17, 30, 97, 97, 27, 187, 51, 56, 136, 136, 136, 136, 131, 131, 51, 51, 179,  
59,  
179, 187, 59, 59, 187, 179, 51, 51, 131, 131, 131, 56, 51, 179, 187, 177, 30, 225, 27,  
179,  
51, 136, 136, 136, 0, 0, 8, 136, 0, 136, 136, 136, 51, 187, 177, 30, 225, 102, 17, 27,  
179, 179, 56, 131, 136, 136, 136, 136, 136, 136, 8, 136, 136, 56, 136, 56, 136, 136,  
128, 128,  
0, 136, 8, 8, 128, 136, 128, 136, 136, 136, 51, 51, 51, 136, 136, 0, 128, 0, 0, 0,  
0, 0, 0, 0, 0, 0, 0, 0, 0, 0, 0, 0, 0, 136, 136, 0, 128, 136, 0,

128, 0, 0, 0, 128, 0, 0, 0, 0, 0, 0, 0, 0, 0, 0, 0, 0, 0, 0, 0, 0,  
0, 0, 0, 8, 136, 131, 51, 56, 136, 136, 136, 136, 136, 56, 56, 136, 136, 128, 0, 128,  
0,  
0, 0, 0, 0, 0, 0, 0, 0, 0, 0, 0, 0, 0, 128, 136, 136, 136, 136, 136, 136,  
131, 136, 131, 136, 136, 136, 0, 0, 0, 0, 0, 0, 0, 0, 0, 0, 0, 0, 0, 0,  
0, 0, 0, 0, 8, 0, 136, 136, 136, 128, 0, 0, 0, 0, 0, 0, 0, 0, 0,  
0, 0, 0, 0, 208, 128, 136, 131, 131, 136, 0, 8, 128, 136, 136, 131, 59, 59, 27, 17,  
97, 17, 187, 177, 27, 17, 17, 27, 187, 187, 187, 187, 17, 17, 22, 22, 97, 17, 27, 187,  
179, 51, 56, 56, 136, 136, 136, 56, 56, 51, 51, 187, 177, 177, 17, 27, 187, 187, 177,  
27,  
187, 187, 187, 59, 59, 187, 187, 17, 17, 17, 187, 27, 27, 177, 27, 187, 187, 187, 59,  
187,  
187, 187, 177, 17, 17, 17, 27, 179, 51, 56, 56, 136, 136, 136, 136, 56, 51, 51, 51, 51,  
187, 179, 179, 179, 187, 59, 51, 56, 56, 51, 56, 131, 51, 51, 187, 177, 17, 17, 27,  
179,  
51, 131, 136, 128, 136, 136, 128, 8, 136, 8, 136, 136, 51, 59, 177, 17, 230, 17, 17,  
27,  
179, 51, 51, 136, 136, 136, 136, 136, 8, 8, 128, 136, 136, 131, 131, 136, 136, 136,  
136, 8,  
128, 0, 0, 0, 8, 0, 136, 128, 136, 131, 131, 51, 51, 56, 136, 128, 0, 0, 0, 0,  
0, 0, 0, 0, 0, 0, 0, 0, 0, 0, 0, 0, 0, 128, 0, 136, 136, 8, 0, 136,  
8, 8, 8, 0, 0, 0, 0, 0, 0, 0, 0, 0, 0, 0, 0, 0, 0, 0, 0, 0,  
0, 0, 216, 128, 136, 136, 131, 136, 136, 136, 136, 136, 56, 51, 136, 136, 128, 128,  
128, 0,  
0,  
0, 0, 0, 0, 0, 0, 0, 0, 0, 0, 0, 208, 0, 0, 8, 128, 136, 136, 51,  
56, 131, 136, 56, 136, 128, 128, 0, 0, 0, 0, 0, 0, 0, 0, 0, 0, 0, 0,  
0, 0, 0, 0, 0, 136, 131, 136, 136, 8, 0, 0, 0, 0, 0, 0, 0, 0, 0, 0,  
0, 0, 0, 0, 0, 128, 136, 131, 56, 128, 8, 0, 8, 8, 136, 51, 51, 187, 17, 17,  
17, 27, 17, 177, 177, 17, 17, 177, 187, 187, 187, 177, 177, 17, 17, 17, 22, 17, 177,  
187,  
179, 51, 56, 136, 136, 136, 136, 136, 131, 131, 51, 187, 177, 17, 17, 177, 187, 187,  
187, 177,

27, 187, 59, 179, 187, 187, 17, 17, 17, 187, 177, 177, 177, 27, 17, 187, 187, 179,  
179, 179,  
187, 177, 17, 17, 97, 17, 27, 179, 179, 56, 136, 136, 136, 136, 136, 136, 131, 51, 51,  
51,  
179, 187, 59, 187, 59, 179, 51, 51, 131, 136, 131, 51, 51, 51, 187, 177, 17, 238, 27,  
187,  
51, 136, 136, 136, 128, 0, 8, 0, 0, 128, 136, 136, 131, 51, 187, 17, 17, 102, 17, 17,  
187, 51, 51, 131, 136, 136, 136, 136, 136, 128, 136, 8, 136, 56, 56, 131, 131, 136,  
136, 128,  
136, 136, 136, 136, 208, 141, 141, 136, 216, 141, 56, 51, 51, 56, 136, 128, 0, 0, 0, 0,  
0, 0, 0, 0, 0, 0, 0, 0, 0, 0, 0, 0, 0, 0, 0, 136, 0, 136, 128, 136, 0,  
128, 128, 0, 8, 0, 0, 0, 0, 0, 0, 0, 0, 0, 0, 0, 0, 0, 0, 0, 0,  
0, 0, 0, 8, 8, 136, 136, 51, 56, 56, 136, 136, 136, 136, 51, 56, 136, 136, 8, 8,  
0,  
0, 0, 0, 0, 0, 0, 0, 0, 0, 0, 0, 0, 0, 136, 136, 128, 136, 136, 136, 136,  
136, 56, 136, 136, 136, 128, 0, 0, 0, 0, 0, 0, 0, 0, 0, 0, 0, 0, 0, 0,  
0, 0, 0, 0, 136, 136, 56, 136, 128, 0, 0, 0, 0, 0, 0, 0, 0, 0, 0,  
0, 0, 0, 0, 0, 136, 136, 56, 136, 136, 0, 128, 128, 136, 136, 131, 59, 177, 177, 17,  
17, 27, 187, 187, 17, 17, 27, 27, 187, 187, 187, 187, 27, 17, 22, 102, 17, 17, 187,  
187,  
59, 51, 136, 136, 136, 136, 136, 136, 56, 51, 51, 59, 177, 17, 17, 27, 187, 187, 177,  
187,  
187, 187, 179, 187, 59, 187, 187, 17, 17, 27, 27, 27, 17, 17, 187, 187, 179, 59, 59,  
187,  
59, 187, 177, 17, 30, 17, 27, 179, 51, 131, 136, 136, 136, 136, 136, 131, 131, 51, 59,  
51,  
59, 51, 179, 51, 179, 187, 51, 51, 56, 56, 56, 136, 131, 51, 59, 187, 17, 17, 17, 179,  
51, 56, 136, 128, 8, 128, 128, 136, 128, 136, 8, 136, 136, 51, 187, 177, 238, 17, 97,  
17,  
187, 51, 51, 136, 136, 136, 136, 136, 8, 8, 8, 128, 136, 136, 131, 136, 136, 136, 136,  
136,  
0, 0, 0, 208, 141, 8, 136, 216, 136, 56, 131, 131, 51, 51, 136, 136, 128, 0, 0, 0,  
0, 0, 0, 0, 0, 0, 0, 0, 0, 0, 0, 0, 0, 0, 136, 128, 136, 0, 136,



0, 0, 128, 0, 0, 0, 0, 0, 0, 0, 0, 0, 0, 0, 0, 0, 0, 0, 0, 0, 0, 0,  
0, 0, 0, 0, 128, 136, 136, 136, 131, 136, 136, 136, 136, 131, 136, 131, 136, 136, 128,  
0,  
0,  
0, 0, 0, 0, 221, 0, 0, 0, 0, 0, 0, 0, 0, 0, 0, 8, 136, 136, 136, 131, 56,  
56, 136, 56, 136, 128, 0, 0, 0, 0, 0, 0, 0, 0, 0, 0, 0, 0, 0, 0, 0,  
0, 0, 0, 0, 8, 136, 136, 136, 0, 128, 0, 0, 0, 0, 0, 0, 0, 0, 0,  
0, 0, 0, 0, 128, 8, 136, 56, 56, 0, 128, 8, 8, 136, 136, 51, 59, 187, 17, 17,  
17, 187, 27, 27, 177, 177, 17, 187, 187, 187, 187, 187, 17, 17, 17, 17, 17, 17, 187,  
187,  
51, 51, 131, 136, 136, 136, 136, 136, 136, 131, 51, 51, 187, 187, 17, 187, 27, 187, 187,  
187, 17,  
187, 179, 187, 59, 187, 187, 177, 177, 27, 187, 187, 177, 187, 17, 17, 187, 187, 179,  
179, 59,  
187, 187, 17, 17, 17, 17, 27, 187, 51, 56, 136, 136, 136, 136, 136, 136, 56, 51, 51,  
51,  
59, 187, 59, 179, 187, 51, 51, 56, 131, 131, 136, 51, 56, 51, 179, 187, 177, 17, 17,  
187,  
179, 131, 136, 136, 128, 8, 0, 0, 8, 0, 128, 136, 136, 51, 59, 177, 17, 102, 17, 17,  
187, 179, 51, 56, 56, 136, 136, 8, 136, 136, 128, 136, 136, 136, 56, 56, 56, 136, 136,  
136,  
136, 141, 216, 13, 136, 221, 141, 141, 141, 211, 141, 51, 51, 51, 56, 136, 8, 0, 0, 0,  
0, 0, 0, 0, 0, 0, 0, 0, 0, 0, 0, 0, 0, 0, 0, 0, 8, 8, 136, 0,  
128, 128, 0, 128, 8, 0, 0, 0, 0, 0, 0, 0, 0, 0, 0, 0, 0, 0, 0,  
0, 0, 0, 0, 8, 8, 136, 136, 136, 56, 136, 136, 136, 136, 136, 56, 136, 136, 136, 136,  
0, 0, 0, 0, 0, 0, 0, 0, 0, 0, 0, 0, 0, 0, 0, 0, 0, 0, 0,  
0, 0, 0, 0, 221, 208, 0, 0, 0, 0, 0, 128, 128, 136, 128, 136, 8, 136, 56, 131,  
136, 136, 136, 136, 128, 128, 0, 0, 0, 0, 0, 0, 0, 0, 0, 0, 0, 0, 0,  
0, 0, 0, 8, 136, 136, 136, 128, 128, 0, 0, 0, 0, 0, 0, 0, 0, 0, 0,  
0, 0, 0, 0, 8, 136, 131, 136, 128, 128, 8, 0, 136, 136, 131, 51, 59, 177, 17, 17,  
27, 187, 177, 177, 17, 17, 187, 187, 187, 59, 59, 187, 27, 17, 22, 22, 17, 27, 187,  
179,

179, 56, 136, 136, 136, 136, 136, 136, 56, 131, 51, 187, 177, 17, 17, 187, 187, 187,  
187, 187,  
187, 187, 51, 179, 59, 59, 177, 17, 177, 27, 177, 187, 17, 187, 187, 187, 51, 59, 59,  
179,  
59, 187, 27, 17, 30, 17, 27, 51, 51, 56, 56, 136, 136, 136, 136, 136, 136, 51, 51, 51,  
51, 179, 179, 59, 51, 187, 51, 51, 56, 56, 131, 136, 131, 51, 51, 187, 17, 17, 17, 187,  
51, 56, 136, 128, 136, 0, 128, 128, 8, 8, 8, 8, 136, 131, 59, 187, 17, 17, 97, 97,  
27, 59, 51, 131, 136, 136, 136, 128, 136, 0, 128, 8, 8, 136, 136, 136, 136, 136, 136,  
136,  
136, 8, 141, 136, 221, 141, 216, 216, 131, 141, 131, 131, 131, 51, 51, 136, 128, 128,  
0, 0,  
0, 0, 0, 0, 0, 0, 0, 0, 0, 0, 0, 0, 0, 0, 0, 128, 128, 128, 136,  
0, 128, 128, 0, 0, 0, 0, 0, 0, 0, 0, 0, 0, 0, 0, 0, 0, 0, 0, 0,  
0, 0, 0, 0, 0, 128, 8, 136, 136, 136, 56, 136, 136, 136, 136, 131, 131, 136, 136, 8,  
0, 0, 0, 0, 0, 0, 0, 0, 0, 0, 0, 0, 0, 0, 0, 0, 0, 0, 0,  
0, 0, 0, 0, 221, 0, 0, 0, 0, 0, 0, 0, 8, 8, 8, 136, 136, 136, 136, 56,  
136, 131, 136, 128, 0, 0, 0, 0, 0, 0, 0, 0, 0, 0, 0, 0, 0, 0,  
0, 0, 0, 128, 136, 131, 136, 128, 0, 0, 0, 0, 0, 0, 0, 0, 0, 0,  
0, 0, 0, 0, 8, 8, 136, 56, 128, 0, 0, 8, 0, 136, 136, 51, 187, 177, 177, 17,  
187, 187, 187, 187, 177, 17, 27, 187, 179, 187, 187, 187, 177, 17, 17, 97, 17, 27,  
187, 179,  
51, 131, 136, 136, 128, 136, 136, 136, 131, 51, 51, 59, 177, 177, 177, 187, 187, 187,  
187, 177,  
187, 51, 187, 59, 187, 187, 187, 177, 17, 187, 187, 27, 187, 17, 27, 187, 187, 51,  
179, 59,  
187, 187, 177, 17, 17, 17, 27, 179, 51, 56, 136, 136, 136, 128, 136, 136, 131, 51, 51,  
51,  
51, 59, 59, 51, 187, 51, 51, 51, 131, 136, 56, 131, 56, 51, 51, 187, 187, 17, 17, 27,  
179, 56, 56, 136, 0, 128, 8, 8, 0, 128, 128, 136, 136, 131, 51, 187, 177, 30, 17, 17,  
27, 187, 51, 56, 136, 136, 136, 136, 136, 136, 8, 128, 136, 136, 136, 56, 56, 56, 136,  
136,  
141, 141, 136, 221, 141, 61, 61, 221, 221, 51, 61, 61, 51, 51, 51, 136, 136, 8, 0, 13,  
0, 0, 0, 0, 0, 0, 0, 0, 0, 0, 0, 0, 0, 0, 0, 0, 136, 8, 0,

128, 8, 0, 216, 0, 0, 0, 0, 0, 0, 0, 0, 0, 0, 0, 0, 0, 0, 0, 0, 0,  
0, 0, 0, 0, 0, 0, 128, 8, 136, 136, 131, 136, 136, 136, 136, 136, 136, 56, 136, 136,  
0,  
0, 0, 0, 0, 0, 0, 0, 0, 0, 0, 8, 8, 0, 128, 136, 136, 136, 131, 131, 136,  
136, 136, 136, 8, 0, 0, 0, 0, 0, 0, 0, 0, 0, 0, 0, 0, 0, 0, 0, 0,  
0, 0, 0, 8, 136, 56, 128, 0, 0, 0, 0, 0, 0, 0, 0, 0, 0, 0, 0, 0,  
0, 0, 0, 13, 8, 136, 56, 136, 8, 8, 8, 8, 136, 136, 131, 51, 187, 187, 17, 27,  
27, 187, 187, 177, 17, 187, 187, 187, 187, 59, 59, 187, 17, 17, 22, 17, 17, 27, 187,  
59,  
51, 56, 136, 136, 8, 136, 136, 136, 56, 51, 51, 187, 177, 27, 17, 187, 187, 59, 187,  
187,  
187, 187, 51, 179, 59, 187, 177, 17, 187, 177, 187, 177, 27, 27, 187, 179, 51, 179,  
51, 51,  
59, 187, 177, 17, 17, 17, 187, 179, 51, 131, 136, 136, 128, 136, 136, 136, 136, 131,  
51, 51,  
51, 59, 51, 179, 51, 187, 51, 51, 131, 136, 136, 56, 131, 131, 51, 59, 177, 177, 17,  
27,  
179, 51, 136, 136, 136, 0, 128, 0, 128, 0, 8, 8, 8, 136, 51, 59, 17, 17, 102, 17,  
27, 187, 51, 51, 131, 136, 136, 8, 8, 128, 128, 128, 128, 136, 136, 131, 136, 136,  
136, 141,  
141, 141, 221, 141, 221, 211, 221, 51, 61, 221, 211, 211, 56, 51, 51, 56, 136, 128,  
128, 0,  
0, 0, 0, 0, 0, 0, 0, 0, 0, 0, 0, 0, 0, 0, 0, 0, 0, 128, 136,  
8, 0, 128, 0, 8, 0, 0, 0, 0, 0, 0, 0, 0, 0, 0, 0, 0, 0, 0, 0,  
0, 0, 0, 0, 0, 8, 8, 128, 136, 136, 136, 136, 136, 136, 8, 136, 136, 136, 56, 136,  
0,  
0, 0, 0, 0, 0, 0, 0, 0, 0, 0, 0, 0, 136, 8, 136, 136, 136, 56, 136, 136,  
136, 136, 128, 0, 0, 0, 0, 0, 0, 0, 0, 0, 0, 0, 0, 0, 0, 0, 0, 0,  
0, 0, 8, 136, 136, 136, 136, 0, 0, 0, 0, 0, 0, 0, 0, 0, 0, 0, 0, 0,  
0, 0, 0, 0, 136, 136, 131, 136, 0, 0, 0, 0, 8, 136, 131, 51, 187, 17, 17, 17,  
187, 187, 187, 27, 177, 17, 187, 187, 51, 179, 187, 187, 177, 17, 17, 22, 17, 187,  
187, 51,

56, 136, 136, 136, 136, 128, 136, 136, 136, 131, 51, 187, 177, 177, 187, 27, 187,  
187, 187, 187,  
179, 179, 179, 59, 179, 187, 187, 177, 17, 187, 187, 187, 187, 27, 187, 187, 187, 51,  
59, 59,  
179, 187, 187, 17, 17, 17, 27, 179, 179, 56, 136, 136, 136, 8, 8, 8, 136, 51, 51, 51,  
51, 51, 179, 59, 59, 51, 59, 51, 136, 131, 136, 136, 56, 56, 51, 59, 187, 17, 17, 27,  
179, 56, 136, 136, 0, 128, 8, 0, 0, 128, 8, 0, 136, 136, 131, 59, 187, 17, 17, 22,  
17, 187, 51, 51, 136, 136, 136, 136, 128, 8, 8, 8, 8, 8, 136, 136, 56, 131, 131, 131,  
136, 216, 61, 61, 51, 221, 51, 221, 211, 51, 221, 61, 211, 61, 51, 51, 136, 128, 0, 0,  
0, 0, 0, 0, 0, 0, 0, 0, 0, 0, 0, 0, 0, 0, 0, 0, 0, 8, 8, 8,  
0, 128, 8, 8, 0, 0, 0, 0, 0, 0, 0, 0, 0, 0, 0, 0, 0, 0, 0, 0, 0,  
0, 0, 0, 0, 0, 0, 0, 0, 8, 136, 136, 56, 136, 136, 136, 136, 136, 136, 136, 136,  
0,  
0, 0, 0, 0, 0, 0, 0, 0, 0, 0, 128, 128, 8, 136, 8, 136, 131, 136, 56, 136,  
136, 136, 0, 0, 0, 0, 0, 0, 0, 0, 0, 0, 0, 0, 0, 0, 0, 0, 0, 0,  
0, 0, 128, 136, 131, 136, 0, 0, 0, 0, 0, 0, 0, 0, 0, 0, 0, 0, 0, 0,  
0, 0, 0, 8, 8, 131, 136, 136, 0, 0, 8, 136, 136, 8, 56, 59, 187, 177, 17, 187,  
187, 187, 187, 177, 27, 187, 187, 179, 179, 59, 187, 187, 17, 17, 22, 17, 17, 187,  
179, 179,  
51, 136, 136, 128, 128, 136, 136, 136, 131, 51, 51, 59, 177, 17, 27, 187, 187, 59,  
187, 187,  
187, 59, 59, 51, 187, 59, 187, 27, 27, 27, 187, 187, 27, 177, 187, 187, 51, 59, 51, 51,  
59, 187, 187, 17, 17, 17, 187, 179, 51, 136, 136, 136, 8, 128, 128, 136, 136, 131,  
131, 51,  
51, 51, 179, 179, 51, 59, 51, 51, 131, 136, 136, 56, 136, 131, 51, 51, 187, 177, 17,  
27,  
187, 51, 136, 136, 136, 8, 0, 8, 0, 8, 0, 136, 128, 136, 131, 51, 187, 17, 22, 17,  
17, 27, 179, 51, 56, 136, 136, 128, 136, 128, 128, 128, 136, 136, 136, 136, 131, 136,  
136, 141,  
211, 211, 221, 211, 221, 189, 215, 219, 221, 221, 189, 51, 61, 51, 51, 51, 56, 136,  
136, 8,  
0, 0, 0, 0, 0, 0, 0, 0, 0, 0, 0, 0, 0, 0, 0, 0, 0, 8, 0,  
136, 8, 0, 128, 0, 128, 0, 0, 0, 0, 0, 0, 0, 0, 0, 0, 0, 0, 0,

0, 0, 0, 0, 0, 0, 0, 0, 208, 8, 136, 136, 136, 136, 136, 8, 136, 136, 131, 136,  
0,  
0, 0, 0, 0, 0, 0, 0, 0, 0, 8, 8, 128, 136, 136, 136, 136, 136, 136, 136,  
136, 136, 8, 0, 0, 0, 0, 0, 0, 0, 0, 0, 0, 0, 0, 0, 0, 0, 0, 0,  
0, 8, 8, 136, 136, 128, 8, 0, 0, 0, 0, 0, 0, 0, 0, 0, 0, 0, 0,  
0, 0, 0, 208, 136, 136, 136, 128, 8, 0, 0, 0, 136, 136, 51, 51, 187, 17, 27, 27,  
187, 187, 187, 187, 27, 27, 187, 59, 59, 179, 187, 187, 177, 17, 17, 17, 27, 187, 179,  
51,  
56, 136, 136, 136, 8, 8, 136, 136, 136, 131, 51, 187, 187, 187, 187, 187, 179, 179,  
187, 187,  
187, 51, 51, 179, 59, 187, 187, 177, 177, 187, 187, 187, 177, 187, 27, 179, 179, 51,  
51, 59,  
51, 59, 187, 17, 17, 17, 187, 179, 51, 56, 56, 136, 128, 8, 136, 128, 136, 131, 51, 56,  
51, 51, 59, 51, 51, 179, 51, 51, 56, 136, 136, 136, 131, 136, 51, 51, 59, 177, 17, 27,  
179, 51, 56, 136, 128, 128, 8, 0, 0, 0, 8, 0, 8, 136, 136, 51, 59, 17, 17, 17,  
17, 27, 179, 51, 56, 56, 136, 136, 0, 136, 8, 8, 0, 0, 136, 136, 56, 131, 131, 51,  
61, 61, 51, 221, 183, 215, 189, 53, 183, 61, 211, 221, 211, 211, 131, 51, 56, 136, 0,  
128,  
0, 136,  
0, 128, 8, 0, 128, 0, 0, 0, 0, 0, 0, 0, 0, 0, 0, 0, 0, 0, 0, 0, 0,  
0, 0, 0, 0, 0, 0, 0, 0, 0, 128, 136, 136, 136, 136, 136, 136, 8, 136, 136, 131,  
0,  
0, 0, 0, 0, 0, 0, 0, 0, 136, 0, 128, 136, 8, 136, 136, 136, 136, 136, 136,  
136, 0, 0, 0, 0, 0, 0, 0, 0, 0, 0, 0, 0, 0, 0, 0, 0, 0, 0, 0,  
0, 0, 136, 136, 136, 8, 0, 0, 0, 0, 0, 0, 0, 0, 0, 0, 0, 0, 0, 0,  
0, 0, 0, 8, 136, 136, 136, 128, 0, 8, 8, 8, 136, 131, 131, 187, 187, 17, 27, 187,  
179, 187, 187, 17, 177, 187, 179, 179, 51, 59, 187, 187, 17, 17, 17, 17, 27, 187, 59,  
51,  
136, 136, 136, 128, 136, 136, 136, 136, 131, 51, 51, 187, 177, 17, 27, 187, 187, 187,  
187, 187,  
51, 179, 51, 59, 51, 179, 187, 27, 27, 187, 187, 187, 187, 177, 187, 59, 51, 51, 51,  
51,

59, 187, 187, 177, 17, 17, 27, 179, 51, 136, 136, 136, 8, 136, 0, 136, 136, 136, 51,  
51,  
51, 51, 51, 51, 51, 51, 51, 51, 136, 56, 136, 136, 136, 56, 131, 51, 187, 187, 17, 27,  
187, 51, 136, 136, 136, 8, 0, 0, 0, 8, 0, 8, 128, 8, 136, 131, 59, 187, 17, 97,  
97, 27, 187, 51, 56, 136, 136, 136, 136, 0, 128, 128, 136, 136, 8, 136, 136, 56, 136,  
221,  
131, 211, 221, 115, 83, 61, 183, 59, 221, 55, 61, 219, 211, 61, 56, 51, 56, 56, 136, 0,  
0,  
8, 8, 128, 8, 0, 128, 0, 208, 0, 0, 0, 0, 0, 0, 0, 0, 0, 0, 0, 0,  
0, 0, 0, 0, 0, 0, 0, 0, 8, 8, 8, 136, 136, 136, 136, 136, 8, 136, 136,  
0, 0, 0, 0, 0, 0, 0, 0, 0, 0, 0, 0, 0, 0, 0, 0, 0, 0, 0,  
0, 0, 0, 0, 0, 0, 0, 8, 0, 128, 8, 8, 136, 136, 131, 131, 136, 136, 136,  
0, 128, 0, 0, 0, 0, 0, 0, 0, 0, 0, 0, 0, 0, 0, 0, 0, 0, 0,  
0, 8, 136, 136, 128, 128, 0, 0, 0, 0, 0, 0, 0, 0, 0, 0, 0, 0, 0,  
0, 0, 0, 8, 136, 136, 136, 0, 0, 0, 0, 128, 136, 136, 51, 59, 177, 27, 27, 187,  
187, 59, 187, 187, 27, 187, 187, 51, 51, 179, 59, 187, 27, 17, 22, 17, 27, 187, 51, 51,  
131, 136, 136, 8, 128, 128, 136, 8, 136, 131, 51, 187, 187, 187, 187, 187, 51, 59,  
187, 187,  
187, 51, 179, 51, 187, 59, 187, 177, 177, 187, 187, 187, 187, 27, 187, 179, 51, 51,  
51, 179,  
51, 51, 187, 27, 17, 27, 187, 179, 51, 56, 136, 136, 8, 8, 136, 8, 136, 136, 51, 131,  
131, 51, 51, 179, 179, 59, 51, 51, 56, 136, 136, 136, 136, 131, 131, 131, 51, 177,  
177, 17,  
187, 179, 51, 136, 136, 0, 8, 0, 128, 0, 0, 0, 8, 128, 136, 131, 59, 187, 17, 17,  
17, 17, 187, 51, 51, 131, 136, 136, 8, 136, 8, 8, 0, 0, 136, 8, 136, 131, 51, 51,  
61, 61, 187, 219, 59, 170, 170, 170, 59, 211, 219, 61, 61, 211, 131, 211, 51, 136,  
136, 128,  
208, 0, 0, 0, 0, 0, 0, 0, 0, 0, 0, 0, 0, 0, 0, 0, 0, 8,  
8, 128, 8, 0, 0, 8, 0, 0, 0, 0, 0, 0, 0, 0, 0, 0, 0,  
0, 0, 0, 0, 0, 0, 0, 0, 0, 0, 128, 136, 136, 136, 136, 8, 128, 136, 136,  
0, 0, 0, 0, 0, 0, 0, 0, 0, 0, 0, 0, 0, 0, 0, 0, 0, 0,  
0, 0, 0, 0, 0, 0, 0, 0, 8, 128, 136, 136, 136, 136, 136, 136, 136, 136,  
128, 0, 0, 0, 0, 0, 0, 0, 0, 0, 0, 0, 0, 0, 0, 0, 0, 0,

0, 136, 136, 136, 128, 0, 0, 0, 0, 0, 0, 0, 0, 0, 0, 0, 0, 0, 0, 0, 0,  
0, 0, 13, 8, 136, 56, 128, 0, 0, 128, 128, 136, 136, 131, 51, 187, 187, 17, 187, 187,  
59, 187, 187, 27, 187, 187, 51, 179, 179, 59, 187, 187, 17, 17, 17, 17, 187, 179, 51,  
51,  
136, 136, 136, 128, 8, 8, 136, 136, 131, 51, 51, 179, 177, 177, 187, 187, 187, 179,  
187, 179,  
51, 51, 51, 51, 51, 187, 187, 187, 27, 187, 187, 187, 187, 187, 187, 59, 51, 51, 51,  
51,  
51, 187, 187, 177, 17, 17, 187, 51, 51, 131, 136, 136, 128, 128, 8, 128, 136, 136,  
131, 51,  
51, 131, 51, 51, 51, 51, 51, 51, 131, 136, 136, 136, 136, 136, 136, 51, 59, 187, 177,  
17,  
187, 51, 56, 136, 136, 8, 0, 128, 0, 0, 8, 8, 0, 8, 8, 136, 51, 49, 177, 17,  
22, 17, 187, 179, 51, 136, 136, 136, 128, 0, 128, 128, 128, 136, 8, 136, 136, 56, 136,  
141,  
51, 219, 93, 125, 122, 172, 204, 196, 167, 215, 213, 61, 211, 61, 216, 56, 51, 51,  
136, 128,  
8, 0, 0, 0, 0, 0, 0, 0, 0, 0, 0, 0, 0, 0, 0, 0, 0, 0, 0, 0,  
0, 8, 0, 128, 128, 0, 0, 0, 0, 0, 0, 0, 0, 0, 0, 0, 0, 0, 0, 0, 0,  
0, 0, 0, 0, 0, 0, 0, 0, 0, 0, 8, 8, 8, 136, 136, 136, 136, 8, 128, 136,  
0,  
0, 0, 0, 0, 0, 0, 0, 8, 136, 128, 8, 128, 136, 131, 136, 136, 136, 136, 0,  
0,  
0, 8, 136, 136, 0, 0, 0, 0, 0, 0, 0, 0, 0, 0, 0, 0, 0, 0, 0, 0,  
0, 0, 0, 136, 136, 136, 0, 8, 0, 0, 0, 8, 136, 131, 51, 59, 177, 177, 187, 187,  
179, 187, 187, 17, 187, 179, 179, 51, 51, 179, 187, 187, 17, 17, 17, 17, 187, 187, 51,  
56,  
136, 136, 128, 8, 128, 136, 8, 136, 136, 131, 51, 187, 187, 27, 187, 179, 51, 187,  
179, 187,  
179, 51, 51, 51, 179, 59, 187, 177, 187, 187, 187, 187, 187, 187, 187, 179, 51, 51,  
51, 51,  
51, 51, 187, 177, 17, 27, 27, 179, 51, 56, 136, 128, 8, 8, 128, 8, 8, 136, 56, 51,

131, 51, 51, 59, 51, 51, 51, 51, 56, 136, 136, 136, 136, 136, 51, 131, 51, 187, 177,  
177,  
27, 179, 51, 136, 136, 128, 128, 0, 0, 128, 0, 0, 8, 8, 136, 136, 51, 59, 177, 22,  
17, 17, 27, 179, 51, 56, 136, 136, 8, 136, 8, 8, 8, 0, 128, 8, 136, 136, 51, 51,  
61, 189, 187, 58, 26, 204, 204, 204, 74, 179, 51, 215, 61, 211, 131, 131, 131, 56, 56,  
136,  
0,  
0, 208, 128, 128, 8, 8, 8, 0, 128, 0, 0, 0, 0, 0, 0, 0, 0, 0, 0,  
0, 0, 0, 0, 0, 0, 0, 0, 0, 0, 0, 8, 136, 136, 136, 136, 128, 136, 8,  
0,  
0, 0, 0, 0, 0, 0, 8, 0, 0, 8, 136, 8, 136, 136, 136, 136, 128, 128,  
8, 0, 0, 0, 0, 0, 0, 0, 0, 0, 0, 0, 0, 0, 0, 0, 0, 0, 0, 0,  
8, 136, 136, 128, 0, 0, 0, 0, 0, 0, 0, 0, 0, 0, 0, 0, 0, 0, 0, 0,  
0, 0, 208, 8, 136, 136, 0, 0, 0, 128, 136, 136, 136, 131, 51, 187, 177, 27, 187, 51,  
59, 187, 187, 187, 187, 179, 51, 51, 51, 51, 187, 187, 27, 17, 22, 27, 187, 51, 51, 51,  
136, 136, 8, 128, 8, 8, 136, 8, 131, 131, 51, 187, 177, 187, 187, 187, 179, 179, 187,  
179,  
51, 51, 51, 51, 51, 179, 187, 187, 187, 187, 59, 59, 187, 187, 187, 51, 51, 51, 51, 51,  
51, 59, 187, 187, 17, 17, 187, 59, 51, 136, 136, 136, 128, 128, 8, 128, 136, 136, 131,  
131,  
56, 51, 51, 51, 51, 51, 179, 51, 136, 136, 136, 136, 136, 136, 136, 51, 51, 59, 177,  
27,  
187, 179, 51, 136, 136, 0, 0, 8, 0, 0, 0, 128, 128, 0, 8, 136, 131, 59, 187, 17,  
17, 17, 27, 179, 51, 131, 136, 136, 128, 128, 128, 128, 128, 136, 8, 128, 136, 131,  
141, 61,  
51, 215, 55, 58, 204, 204, 196, 204, 204, 171, 83, 211, 221, 61, 216, 136, 136, 51,  
136, 136,  
128, 128, 0, 0, 0, 0, 0, 0, 0, 0, 0, 0, 0, 0, 0, 0, 0, 0,  
0, 0, 128, 8, 0, 0, 0, 0, 0, 0, 0, 0, 0, 0, 0, 0, 0, 0,  
0, 0, 0, 0, 0, 0, 0, 0, 0, 0, 0, 128, 0, 136, 136, 136, 136, 0, 128,  
0, 0, 0, 0, 0, 0, 0, 0, 0, 0, 0, 0, 0, 0, 0, 0, 0, 0,  
0, 0, 0, 0, 0, 0, 0, 8, 136, 128, 136, 136, 136, 136, 136, 136, 136, 8, 0,  
0, 0, 0, 0, 0, 0, 0, 0, 0, 0, 0, 0, 0, 0, 0, 0, 0, 0,



128, 136, 136, 128, 128, 0, 0, 0, 0, 0, 0, 0, 0, 0, 0, 0, 0, 0, 0, 0, 0,  
0, 0, 8, 136, 136, 128, 0, 0, 0, 0, 0, 136, 136, 51, 51, 187, 177, 187, 179, 187,  
187, 59, 187, 27, 187, 59, 51, 51, 51, 187, 59, 187, 17, 17, 17, 27, 187, 179, 179, 56,  
136, 136, 128, 8, 128, 136, 8, 136, 136, 51, 51, 59, 187, 177, 187, 59, 51, 59, 179,  
179,  
59, 51, 51, 51, 51, 59, 187, 187, 187, 187, 187, 187, 187, 187, 179, 179, 51, 51, 51,  
51,  
51, 51, 179, 177, 177, 187, 187, 179, 51, 136, 136, 128, 8, 8, 128, 8, 8, 8, 131, 56,  
51, 131, 51, 51, 51, 51, 51, 51, 56, 56, 136, 136, 136, 136, 136, 56, 51, 59, 187, 17,  
27, 187, 51, 136, 136, 136, 8, 0, 0, 8, 0, 0, 8, 0, 136, 136, 51, 187, 17,  
17, 97, 27, 187, 51, 56, 136, 136, 136, 8, 8, 8, 0, 0, 128, 8, 8, 136, 51, 211,  
61, 179, 189, 186, 76, 204, 204, 196, 204, 171, 211, 125, 61, 211, 136, 136, 56, 131,  
56, 136,  
136, 0, 0, 0, 0, 0, 0, 0, 0, 0, 0, 0, 0, 0, 0, 0, 0, 0, 0, 0,  
0, 0, 8, 0, 128, 128, 0, 128, 0, 0, 128, 0, 0, 0, 0, 0, 0, 0, 0, 0,  
0, 0, 0, 0, 0, 0, 0, 0, 0, 0, 0, 0, 136, 8, 136, 136, 136, 136, 8,  
0,  
0, 0, 0, 0, 0, 0, 8, 128, 0, 8, 136, 136, 136, 136, 136, 136, 128, 128, 0,  
0,  
136, 136, 128, 0, 0, 0, 0, 0, 0, 0, 0, 0, 0, 0, 0, 0, 0, 0, 0, 0,  
0, 0, 128, 136, 136, 128, 128, 0, 0, 8, 8, 8, 136, 56, 59, 187, 27, 27, 59, 51,  
59, 187, 187, 187, 179, 51, 51, 51, 51, 51, 187, 177, 177, 17, 17, 27, 179, 51, 51,  
136,  
136, 128, 8, 8, 8, 8, 136, 136, 136, 51, 51, 187, 187, 27, 187, 179, 179, 179, 187, 59,  
51, 51, 51, 51, 51, 179, 187, 187, 187, 187, 51, 187, 59, 187, 187, 51, 51, 51, 51, 51,  
51, 51, 187, 187, 17, 17, 187, 179, 51, 56, 136, 136, 128, 128, 8, 128, 128, 136, 136,  
51,  
136, 51, 51, 51, 51, 51, 51, 51, 136, 136, 136, 128, 136, 136, 136, 131, 51, 51, 187,  
27,  
177, 179, 51, 56, 136, 0, 128, 8, 0, 0, 0, 8, 0, 128, 136, 136, 136, 51, 59, 177,  
17, 17, 17, 187, 51, 51, 131, 136, 8, 128, 128, 0, 136, 8, 0, 136, 136, 136, 211, 51,  
219, 51, 115, 122, 204, 196, 204, 204, 204, 171, 125, 61, 211, 221, 216, 216, 136,  
56, 51, 136,

136, 8, 0, 0, 0, 0, 0, 0, 0, 0, 0, 0, 0, 0, 0, 0, 0, 0, 0, 0,  
0, 0, 0, 128, 8, 0, 128, 0, 8, 0, 0, 0, 0, 0, 0, 0, 0, 0, 0, 0,  
0, 0, 0, 0, 0, 0, 0, 0, 0, 0, 0, 0, 0, 0, 8, 8, 136, 136, 128, 128,  
0,  
0, 0, 0, 0, 0, 0, 8, 0, 8, 136, 136, 136, 136, 136, 136, 136, 128, 8, 0, 0,  
0, 0, 0, 0, 0, 0, 0, 0, 0, 0, 0, 0, 0, 0, 0, 0, 0, 0, 0, 8,  
136, 136, 8, 0, 0, 0, 0, 0, 0, 0, 0, 0, 0, 0, 0, 0, 0, 0, 0, 0,  
0, 208, 8, 136, 128, 0, 0, 0, 0, 128, 128, 136, 136, 51, 59, 187, 187, 187, 179, 179,  
187, 187, 187, 187, 187, 51, 51, 51, 51, 179, 187, 187, 17, 17, 17, 187, 187, 51, 51,  
56,  
136, 8, 128, 0, 128, 128, 128, 136, 131, 131, 51, 187, 187, 187, 187, 51, 59, 59, 59,  
179,  
51, 51, 51, 51, 51, 59, 187, 187, 187, 187, 187, 187, 187, 187, 179, 51, 51, 51, 56,  
51,  
131, 51, 187, 187, 17, 177, 187, 179, 56, 136, 136, 128, 8, 0, 128, 8, 8, 136, 131,  
136,  
51, 131, 51, 51, 51, 51, 51, 51, 56, 136, 136, 8, 136, 136, 136, 136, 131, 51, 187,  
177,  
27, 187, 51, 56, 136, 136, 0, 0, 0, 128, 0, 0, 0, 0, 0, 8, 136, 131, 59, 177,  
17, 17, 17, 187, 179, 51, 136, 136, 128, 128, 8, 128, 0, 128, 128, 0, 128, 136, 131,  
211,  
61, 115, 51, 58, 76, 204, 204, 76, 196, 163, 221, 221, 61, 221, 136, 136, 136, 136,  
131, 56,  
136, 128, 128, 0, 0, 0, 0, 0, 0, 0, 0, 0, 0, 0, 0, 0, 0, 0, 0,  
0, 0, 0, 8, 0, 128, 0, 0, 0, 8, 0, 0, 0, 0, 0, 0, 0, 0, 0,  
0, 0, 0, 0, 0, 0, 0, 0, 0, 0, 0, 0, 0, 0, 128, 128, 136, 136, 136,  
0,  
0, 0, 0, 0, 221, 208, 0, 128, 128, 128, 136, 136, 136, 136, 136, 136, 8, 128, 0, 0,  
0, 0, 0, 0, 0, 0, 0, 0, 0, 0, 0, 0, 0, 0, 0, 0, 0, 0, 8,  
8, 136, 0, 0, 0, 0, 0, 0, 0, 0, 0, 0, 0, 0, 0, 0, 0, 0, 0, 0,  
0, 8, 136, 136, 136, 0, 0, 0, 0, 8, 136, 131, 51, 59, 187, 27, 179, 51, 59,  
51, 187, 187, 187, 51, 51, 51, 51, 51, 59, 59, 177, 17, 17, 17, 187, 51, 51, 56, 136,  
136, 128, 8, 8, 8, 8, 136, 136, 136, 51, 51, 187, 187, 187, 179, 179, 51, 179, 187, 51,

51, 51, 51, 51, 51, 51, 59, 187, 187, 179, 59, 59, 59, 59, 59, 179, 51, 56, 51, 131,  
51, 51, 59, 187, 187, 27, 187, 179, 51, 136, 136, 128, 128, 136, 0, 128, 128, 128,  
136, 51,  
136, 56, 51, 51, 51, 51, 51, 56, 56, 136, 136, 136, 8, 8, 136, 131, 56, 51, 187, 187,  
177, 187, 51, 56, 136, 128, 8, 8, 0, 0, 8, 0, 0, 0, 8, 128, 136, 131, 51, 187,  
17, 17, 17, 27, 179, 51, 56, 136, 136, 8, 0, 8, 8, 0, 8, 136, 8, 136, 131, 61,  
59, 61, 115, 123, 172, 76, 204, 204, 74, 123, 115, 61, 221, 221, 136, 136, 136, 136,  
131, 131,  
136, 128, 0, 128, 0, 0, 0, 0, 0, 0, 0, 0, 0, 0, 0, 0, 0, 0, 0,  
0, 0, 0, 0, 128, 0, 128, 8, 0, 0, 0, 0, 0, 0, 0, 0, 0, 0, 0,  
0, 0, 0, 0, 0, 0, 0, 0, 0, 0, 0, 0, 0, 8, 8, 136, 136, 128,  
0, 0, 0, 0, 0, 0, 0, 0, 0, 0, 0, 0, 0, 0, 0, 0, 0, 0, 0,  
0, 0, 0, 0, 211, 208, 128, 136, 136, 8, 136, 136, 136, 136, 136, 0, 128, 0, 0, 0,  
0, 0, 0, 0, 0, 0, 0, 0, 0, 0, 0, 0, 0, 0, 0, 0, 0, 0, 136,  
136, 0, 0, 0, 0, 0, 0, 0, 0, 0, 0, 0, 0, 0, 0, 0, 0, 0, 0,  
0, 0, 136, 136, 0, 0, 0, 0, 8, 8, 136, 8, 136, 51, 179, 177, 187, 187, 59, 51,  
187, 187, 187, 187, 51, 51, 51, 51, 51, 59, 187, 187, 17, 17, 17, 187, 179, 51, 51,  
136,  
136, 8, 0, 128, 128, 128, 128, 136, 136, 131, 51, 187, 187, 187, 187, 59, 51, 59, 51,  
179,  
51, 51, 51, 131, 51, 59, 187, 187, 187, 187, 179, 179, 187, 187, 179, 51, 51, 51, 131,  
56,  
51, 51, 59, 187, 17, 27, 187, 179, 51, 131, 136, 128, 128, 0, 8, 0, 128, 136, 136, 136,  
56, 131, 51, 51, 51, 51, 51, 51, 131, 136, 136, 0, 128, 136, 136, 136, 131, 51, 59,  
187,  
27, 187, 179, 56, 136, 136, 128, 0, 0, 0, 0, 0, 0, 128, 8, 8, 136, 51, 187,  
177, 17, 17, 27, 187, 51, 131, 136, 136, 8, 128, 128, 128, 8, 0, 0, 136, 136, 216, 51,  
61, 59, 59, 55, 186, 204, 76, 196, 167, 61, 221, 219, 221, 56, 216, 8, 136, 216, 136,  
51,  
136, 136, 128, 0, 0, 0, 0, 0, 0, 0, 0, 0, 0, 0, 0, 0, 0, 0,  
0, 0, 0, 0, 0, 128, 8, 0, 0, 0, 0, 0, 0, 0, 0, 0, 0, 0,  
0, 0, 0, 0, 0, 0, 0, 0, 0, 0, 0, 0, 0, 8, 8, 128, 136,  
0, 0, 0, 0, 0, 0, 0, 0, 0, 0, 0, 0, 0, 0, 0, 0, 0, 0,

0, 0, 0, 0, 221, 0, 0, 0, 8, 136, 136, 136, 136, 136, 128, 136, 0, 0, 0, 0,  
0, 0, 0, 0, 0, 0, 0, 0, 0, 0, 0, 0, 0, 0, 0, 0, 0, 8, 128,  
136, 136, 0, 0, 0, 0, 0, 0, 0, 0, 0, 0, 0, 0, 0, 0, 0, 0, 0,  
0, 136, 136, 128, 128, 0, 0, 0, 0, 0, 8, 136, 131, 51, 187, 187, 187, 51, 51, 187,  
59, 187, 187, 179, 51, 51, 51, 51, 51, 59, 59, 177, 17, 17, 27, 179, 51, 51, 56, 136,  
128, 128, 128, 0, 136, 8, 136, 136, 131, 51, 51, 59, 187, 187, 179, 51, 59, 59, 187,  
51,  
51, 51, 131, 56, 51, 51, 179, 187, 187, 51, 59, 187, 59, 179, 187, 51, 51, 131, 56, 51,  
56, 51, 59, 59, 177, 177, 187, 179, 56, 136, 136, 136, 8, 8, 0, 128, 8, 8, 136, 131,  
131, 56, 131, 51, 51, 131, 51, 131, 136, 56, 136, 136, 8, 128, 136, 136, 131, 51, 59,  
187,  
177, 187, 179, 51, 136, 128, 0, 128, 0, 8, 0, 0, 0, 0, 0, 8, 128, 136, 131, 59,  
177, 17, 17, 17, 187, 51, 56, 136, 136, 128, 8, 0, 0, 128, 128, 136, 0, 8, 136, 211,  
51, 53, 61, 189, 123, 170, 172, 170, 51, 219, 215, 221, 221, 216, 8, 0, 8, 136, 136,  
136,  
51, 136, 136, 0, 0, 0, 0, 0, 0, 0, 0, 0, 0, 0, 0, 0, 0, 0, 0,  
0, 0, 0, 0, 13, 8, 0, 0, 128, 8, 0, 0, 0, 0, 0, 0, 0, 0, 0,  
0, 0, 0, 0, 0, 0, 0, 0, 0, 0, 0, 0, 0, 0, 0, 0, 136, 136,  
0, 0, 0, 0, 0, 0, 0, 0, 0, 0, 0, 0, 0, 0, 0, 0, 0, 0,  
0, 0, 0, 0, 0, 0, 136, 136, 136, 136, 136, 136, 136, 128, 8, 0, 128, 0, 0, 0,  
0, 0, 0, 0, 0, 0, 0, 0, 0, 0, 0, 0, 0, 0, 0, 0, 8, 136,  
128, 0, 0, 0, 0, 0, 0, 0, 0, 0, 0, 0, 0, 0, 0, 0, 0, 0,  
0, 8, 136, 8, 0, 0, 0, 8, 8, 128, 136, 56, 51, 187, 187, 187, 179, 51, 51,  
187, 187, 187, 51, 51, 51, 51, 131, 51, 59, 187, 177, 17, 17, 187, 187, 51, 51, 136,  
136,  
136, 0, 0, 128, 0, 128, 128, 136, 136, 131, 59, 187, 187, 187, 59, 51, 51, 51, 51, 51,  
51, 51, 56, 51, 51, 51, 187, 187, 187, 187, 179, 59, 179, 59, 51, 51, 51, 56, 131, 136,  
51, 51, 51, 187, 187, 27, 187, 179, 51, 136, 136, 0, 0, 128, 8, 8, 128, 136, 136, 136,  
56, 131, 51, 51, 51, 56, 51, 51, 131, 136, 136, 8, 128, 8, 136, 136, 136, 51, 51, 187,  
187, 187, 187, 51, 136, 136, 8, 0, 0, 0, 0, 0, 0, 8, 0, 8, 136, 131, 59,  
187, 17, 17, 27, 187, 51, 56, 136, 136, 8, 128, 128, 128, 8, 0, 0, 136, 136, 216, 61,  
61, 59, 215, 59, 59, 219, 179, 187, 125, 125, 61, 61, 221, 141, 0, 136, 0, 8, 136, 131,  
136, 136, 128, 128, 0, 0, 0, 0, 0, 0, 0, 0, 0, 0, 0, 0, 0, 0,

0, 0, 0, 0, 0, 0, 128, 128, 0, 0, 0, 0, 0, 0, 0, 0, 0, 0, 0, 0, 0,  
0, 0, 0, 0, 0, 0, 0, 0, 0, 0, 0, 0, 0, 0, 0, 0, 208, 8, 8,  
0,  
0, 0, 0, 0, 0, 128, 0, 8, 8, 136, 136, 136, 128, 136, 128, 128, 0, 0, 0, 0,  
0, 0, 0, 0, 0, 0, 0, 0, 0, 0, 0, 0, 0, 0, 0, 0, 0, 136, 136,  
8, 0, 0, 0, 0, 0, 0, 0, 0, 0, 0, 0, 0, 0, 0, 0, 0, 0, 0, 0,  
13, 128, 136, 128, 0, 0, 0, 0, 0, 128, 136, 136, 131, 59, 187, 187, 187, 51, 59, 59,  
59, 187, 187, 51, 51, 51, 56, 51, 51, 59, 187, 27, 17, 17, 187, 179, 51, 51, 131, 136,  
128, 128, 128, 8, 8, 8, 8, 136, 136, 51, 51, 179, 187, 179, 179, 59, 51, 59, 179, 51,  
51, 56, 51, 131, 51, 51, 59, 187, 179, 179, 59, 179, 187, 187, 179, 51, 51, 131, 56,

51,

131, 51, 59, 187, 177, 187, 187, 51, 56, 56, 136, 136, 128, 0, 0, 0, 8, 0, 136, 136,  
136, 56, 136, 51, 56, 51, 131, 131, 56, 136, 136, 128, 8, 136, 8, 136, 136, 131, 51,

59,

177, 187, 179, 51, 136, 136, 128, 0, 0, 0, 0, 0, 0, 0, 8, 8, 8, 131, 51,  
187, 27, 17, 17, 187, 179, 51, 136, 136, 128, 0, 8, 8, 0, 128, 128, 0, 0, 141, 131,  
211, 211, 179, 55, 215, 61, 125, 221, 219, 221, 221, 221, 216, 128, 13, 0, 136, 128,

136, 136,

131, 56, 136, 8, 8, 0, 0, 0, 0, 0, 0, 0, 0, 0, 0, 0, 0, 0, 0,  
0, 0, 0, 0, 0, 0, 8, 8, 0, 0, 0, 0, 0, 0, 0, 0, 0, 0,  
0, 0, 0, 0, 0, 0, 0, 0, 0, 0, 0, 0, 0, 0, 0, 0, 8, 128,  
0, 0, 0, 0, 0, 0, 0, 0, 0, 0, 0, 0, 0, 0, 0, 0, 0, 0,  
0, 0, 0, 0, 8, 8, 136, 136, 136, 136, 136, 128, 136, 0, 8, 0, 0, 0, 0, 0,  
0, 0, 0, 0, 0, 0, 0, 0, 0, 0, 0, 0, 0, 0, 0, 0, 8, 128, 128,  
0, 0, 0, 0, 0, 0, 0, 0, 0, 0, 0, 0, 0, 13, 0, 0, 0, 0, 0,  
0, 136, 128, 0, 8, 0, 0, 0, 128, 8, 8, 136, 51, 59, 59, 187, 179, 51, 51, 59,  
187, 187, 51, 51, 51, 51, 131, 131, 51, 59, 59, 177, 17, 187, 187, 179, 51, 56, 136,

136,

0, 0, 0, 128, 128, 128, 136, 136, 131, 131, 51, 187, 187, 187, 51, 51, 51, 59, 59, 51,  
51, 51, 136, 51, 131, 51, 187, 187, 187, 51, 179, 59, 51, 179, 59, 51, 56, 56, 131,

136,

56, 56, 51, 59, 187, 27, 27, 179, 51, 136, 136, 0, 8, 8, 8, 0, 128, 136, 8, 136,  
56, 136, 51, 51, 51, 131, 56, 56, 131, 136, 136, 8, 128, 0, 136, 8, 136, 56, 51, 187,

187, 177, 187, 51, 56, 136, 8, 8, 0, 0, 0, 0, 0, 0, 0, 0, 0, 0, 136, 136, 131,  
187, 177, 17, 17, 187, 187, 51, 56, 136, 136, 136, 0, 0, 8, 0, 8, 8, 136, 136, 141,  
51, 61, 211, 211, 189, 183, 51, 115, 213, 61, 211, 221, 141, 13, 0, 0, 0, 8, 8, 136,  
136, 131, 136, 128, 0, 0, 0, 0, 0, 0, 0, 0, 0, 0, 0, 0, 0, 0, 0, 0,  
0, 0, 0, 0, 0, 0, 0, 0, 128, 0, 0, 0, 0, 0, 0, 0, 0, 0, 0, 0,  
0, 0, 0, 0, 0, 0, 0, 0, 0, 0, 0, 0, 0, 0, 0, 0, 0, 0, 8,  
0, 0, 0, 0, 0, 0, 0, 0, 0, 0, 0, 0, 0, 0, 0, 0, 0, 0, 0,  
0, 0, 0, 0, 0, 128, 8, 8, 136, 136, 136, 136, 8, 136, 0, 8, 0, 0, 0, 0,  
0, 0, 0, 0, 0, 0, 0, 0, 0, 0, 0, 0, 0, 0, 0, 0, 128, 136, 136,  
8, 0, 0, 0, 0, 0, 0, 0, 0, 0, 0, 0, 0, 0, 221, 208, 0, 0, 0, 0,  
216, 8, 136, 128, 0, 0, 0, 0, 128, 136, 136, 51, 59, 187, 187, 51, 51, 59, 59,  
59, 187, 59, 51, 51, 131, 56, 51, 51, 59, 187, 27, 17, 17, 187, 51, 51, 51, 136, 136,  
8, 8, 8, 0, 8, 8, 136, 8, 136, 51, 59, 59, 179, 179, 179, 51, 51, 51, 51, 51,  
51, 131, 51, 136, 51, 51, 59, 59, 59, 59, 51, 179, 187, 59, 179, 51, 51, 131, 136, 51,  
131, 51, 51, 187, 187, 27, 187, 51, 51, 136, 136, 136, 0, 0, 0, 128, 0, 8, 136, 136,  
131, 131, 131, 131, 56, 56, 51, 51, 56, 56, 136, 128, 8, 136, 0, 136, 136, 131, 131,

51,

187, 187, 187, 51, 56, 136, 128, 128, 0, 8, 0, 0, 0, 0, 0, 128, 8, 0, 136, 131,  
51, 187, 17, 17, 17, 187, 51, 136, 136, 128, 0, 8, 8, 0, 8, 0, 128, 0, 141, 136,  
136, 51, 189, 189, 219, 221, 61, 61, 189, 221, 61, 216, 208, 0, 0, 0, 8, 0, 128, 136,  
136, 56, 56, 136, 128, 0, 0, 0, 0, 0, 0, 0, 0, 0, 0, 0, 0, 0, 0,  
0, 0, 0, 0, 0, 0, 128, 8, 0, 0, 0, 0, 0, 0, 0, 0, 0, 0,  
0, 0, 0, 0, 0, 0, 0, 0, 0, 0, 0, 0, 0, 0, 0, 0, 0, 0, 0,  
0, 0, 0, 0, 0, 0, 0, 0, 0, 0, 0, 0, 0, 0, 0, 0, 0, 0, 0,  
0, 0, 0, 0, 8, 8, 136, 136, 136, 136, 128, 8, 128, 0, 128, 0, 0, 0, 0, 0,  
0, 0, 0, 0, 0, 0, 0, 0, 0, 0, 0, 0, 0, 0, 0, 0, 8, 128, 0,  
0, 0, 0, 0, 0, 0, 0, 0, 0, 0, 0, 0, 0, 221, 0, 0, 0, 0, 0,  
8, 136, 0, 0, 0, 0, 0, 8, 8, 136, 131, 51, 59, 187, 187, 51, 51, 51, 51,  
187, 59, 51, 51, 56, 56, 131, 131, 51, 59, 187, 177, 17, 187, 187, 51, 51, 136, 136,

128,

128, 0, 0, 8, 8, 128, 8, 136, 136, 56, 51, 179, 187, 59, 51, 51, 51, 59, 51, 51,  
51, 56, 136, 51, 51, 51, 59, 187, 187, 51, 59, 59, 59, 187, 51, 51, 131, 136, 56, 136,  
56, 51, 51, 59, 187, 27, 187, 179, 51, 136, 136, 0, 128, 8, 0, 8, 8, 0, 8, 136,

136, 136, 136, 51, 131, 51, 131, 136, 56, 136, 136, 136, 128, 0, 136, 8, 136, 136, 51,  
59,  
187, 177, 187, 179, 56, 136, 128, 0, 0, 0, 0, 0, 0, 0, 0, 0, 0, 8, 136, 131,  
59, 187, 27, 17, 27, 187, 51, 51, 136, 136, 128, 128, 0, 0, 128, 128, 0, 136, 0, 141,  
131, 211, 211, 219, 189, 189, 211, 221, 221, 221, 221, 208, 13, 0, 208, 0, 0, 0, 8, 8,  
136, 136, 136, 136, 8, 8, 0, 0, 0, 0, 0, 0, 0, 0, 0, 0, 0, 0, 0, 0, 0, 0,  
0, 0, 0, 0, 0, 0, 0, 0, 8, 0, 0, 0, 0, 0, 0, 0, 0, 0, 0,  
0,  
0,  
0, 0, 0, 8, 0, 136, 8, 136, 136, 128, 136, 128, 8, 0, 0, 0, 0, 0, 0, 0,  
0, 0, 0, 0, 0, 0, 0, 0, 0, 0, 0, 0, 0, 0, 8, 141, 136, 8,  
0, 0, 0, 0, 0, 0, 0, 0, 0, 0, 0, 0, 0, 0, 0, 0, 0, 0, 13,  
136, 136, 128, 0, 0, 0, 0, 0, 128, 136, 136, 51, 187, 187, 179, 51, 51, 51, 187,  
187, 179, 179, 51, 51, 131, 56, 51, 51, 59, 187, 177, 17, 27, 179, 51, 51, 56, 136,  
136,  
0, 8, 8, 0, 0, 8, 128, 136, 136, 51, 59, 59, 179, 179, 51, 51, 51, 51, 51, 51,  
56, 131, 51, 131, 131, 51, 59, 59, 51, 179, 179, 179, 179, 51, 59, 51, 56, 51, 131, 51,  
131, 131, 51, 179, 187, 177, 187, 51, 51, 136, 136, 136, 8, 0, 0, 0, 0, 128, 128, 136,  
136, 56, 51, 131, 51, 131, 56, 51, 131, 136, 136, 0, 0, 128, 8, 128, 136, 136, 131, 51,  
187, 187, 187, 51, 51, 136, 136, 8, 0, 0, 0, 0, 0, 0, 0, 0, 8, 8, 136,  
51, 187, 177, 27, 17, 187, 179, 56, 136, 136, 8, 0, 128, 128, 0, 0, 136, 0, 216, 136,  
141, 61, 61, 61, 221, 219, 221, 211, 221, 216, 216, 13, 0, 0, 0, 0, 0, 13, 0, 128,  
136, 136, 51, 136, 128, 128, 0, 0, 0, 0, 0, 0, 0, 0, 0, 0, 0, 0, 0, 0,  
0, 0, 0, 0, 0, 0, 13, 8, 0, 0, 0, 0, 0, 0, 0, 0, 0, 0,  
0,  
0,  
0, 0, 8, 0, 136, 8, 136, 136, 128, 136, 128, 128, 128, 128, 0, 0, 0, 0, 0, 0,  
0, 0, 0, 0, 0, 0, 0, 0, 0, 0, 0, 0, 0, 0, 8, 128, 128, 128,  
0,  
8, 0, 8, 0, 0, 0, 0, 128, 136, 136, 131, 51, 59, 187, 51, 51, 51, 51, 59,  
179, 179, 51, 51, 136, 56, 131, 131, 51, 187, 187, 27, 27, 187, 187, 51, 51, 136, 136,  
128,  
8, 0, 0, 8, 8, 128, 136, 136, 136, 51, 51, 179, 187, 51, 179, 51, 51, 59, 51, 51,

51, 56, 136, 56, 51, 51, 59, 187, 187, 51, 51, 51, 59, 187, 51, 51, 131, 136, 136, 136,  
56, 56, 51, 59, 187, 27, 187, 179, 56, 56, 136, 0, 0, 8, 0, 128, 8, 8, 8, 136,  
136, 136, 136, 51, 51, 56, 131, 131, 56, 131, 136, 136, 136, 8, 0, 136, 136, 136, 56,

51,

59, 187, 187, 179, 56, 136, 136, 0, 0, 128, 0, 0, 0, 0, 0, 0, 0, 128, 136,  
51, 59, 187, 17, 27, 27, 179, 51, 136, 136, 0, 128, 0, 8, 8, 0, 0, 136, 0, 136,  
216, 136, 51, 211, 51, 61, 211, 221, 221, 221, 141, 0, 13, 0, 0, 0, 0, 0, 8,  
8, 136, 136, 56, 136, 128, 0, 0, 0, 0, 0, 0, 0, 0, 0, 0, 0, 0, 0,  
0, 0, 0, 0, 0, 0, 0, 0, 8, 8, 8, 0, 0, 0, 0, 0, 0, 0,  
0, 0, 0, 0, 0, 0, 0, 0, 0, 0, 0, 0, 0, 0, 0, 0, 0, 0,  
0, 0, 0, 0, 0, 0, 0, 0, 0, 0, 0, 0, 0, 0, 0, 0, 0, 0,  
0, 0, 0, 8, 0, 136, 136, 136, 136, 128, 8, 8, 0, 0, 0, 0, 0, 0, 0,  
0, 0, 0, 0, 0, 0, 0, 0, 0, 0, 0, 0, 0, 0, 128, 136, 0, 0,  
0, 0, 0, 0, 0, 0, 0, 0, 0, 0, 0, 0, 0, 0, 0, 0, 0, 216,  
136, 128, 0, 0, 0, 0, 8, 8, 136, 51, 51, 187, 187, 51, 51, 51, 51, 179,  
187, 51, 51, 56, 56, 131, 136, 51, 51, 59, 187, 177, 17, 187, 179, 51, 56, 56, 136, 8,  
0, 8, 8, 0, 0, 8, 8, 136, 136, 56, 59, 59, 59, 179, 51, 51, 51, 51, 51, 51,  
56, 131, 131, 131, 131, 131, 59, 51, 179, 51, 51, 187, 51, 179, 51, 51, 136, 131, 131,

136,

131, 131, 51, 51, 187, 187, 187, 51, 51, 136, 136, 136, 8, 0, 0, 0, 0, 128, 136,  
136, 56, 131, 136, 56, 51, 56, 136, 131, 136, 136, 128, 0, 0, 128, 0, 136, 136, 131,

51,

59, 187, 187, 187, 51, 136, 136, 8, 0, 0, 0, 0, 0, 0, 0, 136, 136,  
131, 59, 187, 177, 17, 187, 187, 51, 131, 136, 128, 8, 8, 0, 0, 128, 128, 0, 136, 8,  
8, 141, 141, 61, 221, 211, 61, 221, 136, 128, 0, 8, 0, 0, 0, 0, 0, 128,  
136, 136, 136, 136, 136, 128, 128, 128, 0, 0, 0, 0, 0, 0, 0, 0, 0, 0,  
0, 0, 0, 0, 0, 0, 0, 0, 128, 0, 0, 0, 0, 0, 0, 0, 0,  
0, 0, 0, 0, 0, 0, 0, 0, 0, 0, 0, 0, 0, 0, 0, 0, 0, 0,  
0, 0, 0, 0, 0, 0, 0, 0, 0, 0, 0, 0, 0, 0, 0, 0, 0, 0,  
0, 8, 8, 128, 136, 8, 128, 136, 8, 8, 128, 128, 8, 0, 0, 0, 0, 0, 0,  
0, 0, 0, 0, 0, 0, 0, 0, 0, 0, 0, 0, 8, 8, 0, 128, 0,  
0, 0, 0, 0, 0, 0, 0, 0, 0, 0, 0, 0, 0, 0, 0, 0, 8,  
8, 8, 0, 0, 0, 0, 13, 0, 136, 136, 131, 51, 187, 51, 51, 51, 51, 51, 59,



179, 179, 51, 56, 131, 131, 51, 131, 51, 187, 187, 27, 27, 187, 179, 51, 56, 136, 136,  
128,  
8, 0, 0, 128, 8, 128, 136, 136, 136, 51, 51, 179, 179, 51, 51, 51, 51, 51, 51, 51,  
131, 56, 56, 56, 51, 51, 51, 187, 59, 51, 179, 51, 179, 59, 51, 51, 51, 136, 136, 56,  
56, 56, 51, 59, 187, 187, 187, 179, 56, 136, 136, 0, 128, 128, 0, 0, 0, 128, 8, 8,  
136, 136, 136, 51, 51, 136, 131, 51, 56, 56, 136, 8, 8, 8, 8, 136, 8, 136, 136, 51,  
59, 187, 187, 179, 51, 136, 136, 128, 8, 0, 0, 0, 0, 0, 0, 0, 0, 0, 136,  
136, 51, 187, 27, 17, 27, 187, 51, 56, 136, 128, 128, 0, 128, 128, 0, 8, 8, 0, 208,  
136, 136, 131, 131, 131, 141, 216, 136, 216, 13, 13, 0, 0, 0, 0, 0, 0, 0, 0,  
0, 8, 136, 131, 136, 136, 0, 0, 0, 0, 0, 0, 0, 0, 0, 0, 0, 0, 0, 0,  
0, 0, 0, 0, 0, 0, 0, 0, 0, 0, 128, 0, 0, 0, 0, 0, 0, 0,  
0, 0, 0, 0, 0, 0, 0, 0, 0, 0, 0, 0, 0, 0, 0, 0, 0, 0,  
0, 0, 0, 0, 0, 0, 0, 0, 0, 0, 0, 0, 0, 0, 0, 0, 0, 0,  
0, 0, 128, 8, 8, 136, 136, 136, 136, 128, 8, 0, 0, 0, 0, 0, 0, 0, 0,  
0, 0, 0, 0, 0, 0, 0, 0, 0, 0, 0, 0, 0, 0, 136, 128, 0, 0,  
0, 0, 0, 0, 0, 0, 0, 0, 0, 0, 0, 0, 0, 0, 0, 0, 13, 8,  
128, 0, 0, 0, 0, 0, 0, 136, 8, 136, 51, 59, 179, 179, 51, 56, 51, 51, 179,  
179, 51, 56, 131, 136, 136, 136, 56, 51, 59, 187, 17, 187, 187, 51, 51, 131, 136, 128,  
0,  
0, 0, 128, 0, 128, 8, 8, 136, 136, 51, 59, 59, 59, 179, 51, 51, 51, 51, 51, 51,  
56, 136, 136, 131, 136, 51, 59, 59, 179, 51, 51, 179, 59, 51, 179, 56, 136, 56, 136,  
136,  
136, 131, 51, 51, 187, 187, 187, 51, 51, 56, 136, 128, 0, 0, 8, 0, 0, 128, 136,  
136, 136, 56, 136, 56, 51, 56, 136, 131, 136, 136, 136, 128, 128, 0, 0, 136, 8, 136,  
131,  
51, 187, 187, 187, 51, 136, 136, 0, 0, 0, 0, 0, 0, 0, 0, 8, 8,  
136, 51, 187, 187, 187, 17, 187, 51, 56, 136, 128, 0, 128, 0, 8, 8, 0, 0, 8, 8,  
8, 8, 141, 136, 136, 216, 136, 216, 128, 208, 0, 0, 0, 0, 0, 0, 0, 0,  
136, 136, 136, 136, 136, 136, 128, 128, 0, 0, 0, 0, 0, 0, 0, 0, 0, 0,  
0, 0, 0, 0, 0, 0, 0, 0, 8, 0, 0, 0, 0, 0, 0, 0, 0,  
0, 0, 0, 0, 0, 0, 0, 0, 0, 0, 0, 0, 0, 0, 0, 0, 0, 0,  
0, 0, 0, 0, 0, 0, 0, 0, 0, 0, 0, 0, 0, 0, 0, 0, 0, 0,  
0, 128, 8, 128, 136, 8, 136, 128, 128, 8, 128, 128, 0, 0, 0, 0, 0, 0, 0,

0, 0, 0, 0, 0, 0, 0, 0, 0, 0, 0, 0, 0, 0, 0, 136, 128, 0, 0, 0,  
0, 0, 0, 0, 0, 0, 0, 0, 0, 0, 0, 0, 0, 0, 0, 0, 0, 0, 0, 128,  
136, 0, 0, 0, 0, 0, 0, 8, 136, 131, 51, 59, 187, 51, 51, 51, 51, 187,  
59, 51, 51, 56, 131, 131, 56, 51, 51, 187, 187, 177, 27, 187, 51, 51, 136, 136, 136, 8,  
0, 128, 0, 128, 0, 128, 136, 136, 136, 56, 51, 179, 179, 51, 51, 51, 131, 51, 51, 56,  
131, 131, 136, 56, 51, 51, 51, 179, 51, 51, 51, 51, 179, 51, 51, 136, 136, 56, 56,  
56, 56, 56, 51, 187, 187, 187, 179, 56, 136, 136, 8, 8, 0, 0, 0, 128, 8, 8, 8,  
136, 136, 136, 131, 131, 56, 136, 131, 136, 56, 136, 128, 0, 0, 8, 8, 8, 136, 136, 131,  
51, 59, 187, 187, 51, 56, 136, 136, 8, 0, 0, 0, 0, 0, 0, 0, 0, 0, 128,  
136, 131, 59, 187, 17, 177, 187, 179, 51, 136, 136, 136, 0, 8, 0, 0, 8, 8, 0, 0,  
128, 136, 136, 136, 136, 136, 136, 128, 0, 0, 208, 0, 0, 0, 0, 0, 0, 0, 0, 0,  
0, 0, 136, 136, 131, 136, 136, 0, 0, 0, 0, 0, 0, 0, 0, 0, 0, 0, 0, 0,  
0, 0, 0, 0, 0, 0, 0, 0, 0, 0, 8, 0, 208, 0, 0, 0, 0, 0, 0,  
0, 0, 0, 0, 0, 0, 0, 0, 0, 0, 0, 0, 0, 0, 0, 0, 0, 0, 0,  
0, 0, 0, 0, 0, 0, 0, 0, 0, 0, 0, 0, 0, 0, 0, 0, 0, 0, 0,  
0, 8, 0, 8, 136, 136, 128, 136, 8, 0, 0, 0, 0, 0, 0, 0, 0, 0, 0, 0,  
0, 0, 0, 0, 0, 0, 0, 0, 0, 0, 0, 0, 0, 8, 8, 8, 0, 0, 0,  
0, 0, 0, 0, 0, 0, 0, 0, 0, 0, 0, 0, 0, 0, 0, 0, 8, 8,  
0, 0, 0, 0, 0, 0, 8, 0, 136, 136, 51, 51, 179, 51, 51, 131, 51, 51, 179,  
179, 51, 136, 131, 136, 136, 131, 131, 51, 179, 177, 27, 187, 179, 51, 56, 56, 136,  
128, 0,  
0, 0, 128, 0, 8, 8, 8, 136, 136, 51, 59, 59, 51, 179, 51, 131, 51, 51, 51, 51,  
136, 56, 56, 131, 131, 131, 51, 187, 179, 51, 51, 51, 179, 59, 51, 56, 56, 56, 136,  
136,  
136, 131, 51, 51, 187, 187, 187, 51, 51, 136, 136, 128, 128, 0, 0, 0, 0, 0, 136,  
8, 136, 136, 136, 51, 131, 131, 56, 56, 136, 136, 136, 128, 8, 0, 128, 128, 136, 136,  
131,  
51, 59, 187, 179, 51, 131, 136, 0, 0, 0, 0, 0, 0, 0, 0, 0, 0, 8,  
8, 131, 51, 187, 187, 27, 27, 179, 51, 136, 128, 0, 8, 0, 8, 8, 0, 0, 128, 128,  
8, 0, 136, 136, 136, 136, 136, 8, 128, 0, 0, 0, 0, 0, 0, 0, 0, 0, 0,  
0, 136, 0, 136, 136, 136, 136, 8, 0, 0, 0, 0, 0, 0, 0, 0, 0, 0,  
0, 0, 0, 0, 0, 0, 0, 0, 0, 0, 0, 0, 0, 0, 0, 0, 0, 0,  
0, 0, 0, 0, 0, 0, 0, 0, 0, 0, 0, 0, 0, 0, 0, 0, 0, 0,

0,  
8, 0, 136, 136, 128, 136, 136, 0, 128, 128, 128, 0, 0, 0, 0, 0, 0, 0, 0,  
0, 0, 0, 0, 0, 0, 0, 0, 0, 0, 0, 0, 0, 0, 0, 136, 128, 8, 0, 0,  
0, 0, 0, 0, 0, 0, 0, 0, 0, 0, 0, 0, 0, 0, 0, 0, 0, 208, 136,  
8, 0, 0, 0, 0, 0, 0, 0, 136, 136, 131, 51, 187, 179, 51, 51, 56, 51, 51, 179,  
51, 51, 131, 136, 131, 131, 136, 51, 51, 187, 187, 177, 187, 187, 51, 51, 136, 136, 0,

128,

128, 0, 8, 0, 128, 0, 128, 136, 136, 51, 51, 179, 179, 51, 51, 51, 131, 51, 51, 56,  
51, 136, 131, 56, 51, 51, 51, 179, 51, 59, 187, 51, 51, 51, 51, 56, 136, 136, 136, 131,  
136, 56, 51, 51, 179, 187, 187, 51, 56, 136, 136, 0, 0, 128, 0, 8, 0, 0, 128, 8,  
136, 136, 136, 131, 131, 56, 136, 136, 136, 56, 136, 128, 8, 0, 128, 0, 8, 8, 136, 136,  
51, 59, 187, 187, 51, 56, 136, 136, 8, 0, 0, 0, 0, 0, 0, 0, 0, 0, 0,  
136, 136, 51, 187, 187, 17, 187, 187, 51, 136, 136, 136, 128, 8, 0, 0, 8, 8, 0, 0,  
128, 136, 8, 136, 136, 216, 128, 128, 8, 0, 0, 0, 0, 0, 0, 0, 0, 0, 0,  
0, 0, 136, 136, 136, 131, 136, 128, 0, 208, 0, 0, 0, 0, 0, 0, 0, 0, 0, 0,  
0, 0, 0, 0, 0, 0, 0, 0, 0, 0, 0, 0, 128, 0, 0, 0, 0, 0, 0, 0,  
0,  
0,  
0, 136, 8, 8, 136, 128, 0, 136, 0, 0, 0, 0, 0, 0, 0, 0, 0, 0, 0, 0,  
0, 0, 0, 0, 0, 0, 0, 0, 0, 0, 0, 0, 0, 0, 0, 136, 128, 0, 0, 0, 0,  
0, 0, 0, 0, 0, 0, 0, 0, 0, 0, 0, 0, 0, 0, 0, 0, 0, 8, 0,  
0, 0, 0, 0, 0, 0, 0, 8, 136, 56, 51, 59, 51, 51, 56, 131, 51, 51, 59,  
51, 56, 56, 131, 136, 136, 131, 56, 51, 187, 177, 27, 27, 51, 51, 136, 136, 136, 128,

0,

0, 128, 0, 0, 0, 128, 136, 136, 136, 51, 59, 51, 59, 51, 51, 131, 51, 51, 56, 56,  
136, 131, 136, 131, 136, 51, 51, 59, 51, 59, 179, 51, 51, 179, 51, 56, 56, 136, 136,

136,

136, 131, 131, 51, 59, 187, 179, 179, 51, 136, 136, 128, 128, 0, 0, 0, 0, 8, 0, 128,  
136, 136, 136, 136, 56, 131, 131, 131, 136, 136, 136, 136, 128, 8, 0, 128, 128, 128,

136, 136,

51, 51, 187, 187, 51, 51, 136, 128, 0, 0, 0, 0, 0, 0, 0, 0, 0, 0,  
128, 136, 51, 59, 187, 187, 27, 187, 51, 56, 136, 0, 0, 128, 0, 0, 0, 0, 8,  
0, 0, 128, 8, 136, 136, 136, 136, 0, 0, 0, 0, 0, 0, 0, 0, 0, 0,

0, 0, 8, 8, 136, 136, 136, 136, 0, 0, 0, 0, 0, 0, 0, 0, 0, 0, 0, 0, 0, 0, 0, 0,  
0, 0, 0, 0, 0, 0, 0, 0, 0, 0, 0, 0, 0, 0, 128, 0, 0, 0, 0, 0, 0, 0,  
0,  
0, 8,  
128, 0, 136, 136, 8, 136, 136, 0, 128, 128, 0, 0, 0, 0, 0, 0, 0, 0, 0, 0, 0,  
0, 0, 0, 0, 0, 0, 0, 0, 0, 0, 0, 0, 0, 0, 8, 8, 8, 0, 0, 0, 0,  
0, 0, 0, 0, 0, 0, 0, 0, 0, 0, 0, 0, 0, 0, 0, 0, 0, 13, 128, 136,  
0, 0, 0, 0, 0, 0, 0, 8, 128, 136, 131, 51, 179, 179, 51, 131, 51, 51, 51, 179,  
51, 131, 136, 56, 136, 56, 56, 51, 59, 59, 177, 187, 187, 179, 51, 56, 136, 136, 0, 0,  
0, 0, 128, 8, 8, 8, 8, 136, 136, 56, 51, 179, 51, 51, 131, 56, 51, 51, 51, 131,  
56, 136, 131, 136, 51, 51, 51, 179, 51, 51, 51, 51, 51, 51, 51, 51, 131, 136, 136, 136,

136,

136, 56, 51, 51, 59, 187, 187, 51, 56, 56, 136, 8, 8, 0, 0, 0, 0, 0, 0, 136,  
136, 136, 136, 136, 131, 56, 56, 136, 56, 56, 136, 128, 8, 0, 0, 0, 8, 8, 8, 136,  
131, 51, 179, 187, 51, 51, 136, 136, 128, 128, 0, 0, 0, 0, 0, 0, 0, 0, 0, 0,  
8, 136, 131, 51, 187, 177, 187, 187, 179, 56, 136, 128, 128, 0, 128, 8, 0, 0, 128, 0,  
8, 8, 8, 136, 136, 136, 128, 0, 128, 8, 0, 0, 0, 0, 0, 0, 0, 0, 0, 0,  
0, 0, 0, 128, 136, 136, 136, 136, 136, 0, 0, 0, 0, 0, 0, 0, 0, 0, 0, 0,  
0,  
0,  
0,  
8, 136, 8, 8, 128, 0, 0, 128, 0, 0, 0, 0, 0, 0, 0, 0, 0, 0, 0, 0, 0,  
0, 0, 0, 0, 0, 0, 0, 0, 0, 0, 0, 0, 0, 0, 128, 128, 0, 0, 0, 0,  
0, 0, 0, 0, 0, 0, 0, 0, 0, 0, 0, 0, 0, 0, 0, 0, 0, 0, 8, 0,  
0, 0, 0, 0, 0, 0, 0, 136, 136, 51, 51, 179, 51, 56, 56, 131, 51, 59, 51,  
51, 136, 136, 136, 136, 136, 136, 56, 59, 187, 187, 27, 179, 51, 56, 136, 136, 128, 8,

0,

0, 0, 0, 0, 0, 0, 128, 136, 136, 51, 51, 59, 51, 51, 56, 131, 131, 51, 136, 56,  
136, 136, 136, 131, 136, 131, 51, 59, 51, 51, 51, 51, 51, 51, 51, 136, 136, 136, 136,

136,

136, 136, 131, 131, 179, 187, 179, 51, 56, 136, 136, 0, 0, 0, 0, 0, 0, 0, 0, 0,  
8, 136, 136, 136, 136, 136, 136, 136, 136, 136, 136, 136, 0, 128, 0, 0, 128, 0, 128,

136,























































142, 78, 238, 238, 228, 238, 238, 238, 238, 62, 238, 62, 238, 62, 227, 238, 62, 227,  
238, 227,  
238, 62, 238, 62, 227, 238, 62, 227, 227, 236, 227, 236, 238, 62, 206, 206, 206, 206,  
206, 206,  
206, 206, 206, 206, 206, 206, 60, 236, 227, 227, 236, 238, 62, 62, 227, 227,  
238, 238, 62,  
238, 227, 238, 62, 227, 238, 62, 238, 238, 227, 238, 227, 238, 238, 238, 238, 238,  
228, 238, 232,  
228, 238, 142, 78, 142, 142, 78, 72, 132, 232, 136, 72, 132, 136, 72, 132, 132, 136,  
72, 132,  
136, 72, 72, 72, 132, 136, 132, 141, 132, 132, 216, 212, 216, 212, 216, 212, 221, 77,  
212, 221,  
212, 221, 77, 221, 212, 221, 77, 212, 221, 212, 221, 221, 212, 45, 221, 66, 221, 210,  
66, 210,  
221, 157, 146, 16, 0, 0, 160, 0, 0, 0, 0, 0, 0, 0, 0, 0, 0, 0, 0, 0, 0, 0, 0,  
0,  
0,  
0,  
0,  
0,  
0,  
0, 0, 0, 0, 0, 0, 0, 0, 0, 0, 170, 162, 45, 141, 221, 221, 221, 221, 221,  
216, 221, 216, 221, 141, 141, 136, 136, 141, 136, 136, 136, 136, 136, 136, 136, 136,  
136, 136, 136,  
136, 136, 136, 136, 142, 136, 136, 136, 136, 136, 232, 142, 142, 142, 232, 238, 232,  
232, 238, 232,  
238, 238, 238, 238, 238, 238, 238, 238, 238, 238, 238, 238, 236, 238, 238, 238, 238,  
238, 238, 236,  
238, 238, 238, 238, 238, 238, 238, 238, 238, 238, 238, 238, 238, 238, 238, 238,  
238, 238, 238,  
238, 238, 238, 232, 238, 142, 142, 232, 238, 136, 142, 136, 136, 136, 136, 136, 136,  
142, 136, 136,

136, 136, 136, 136, 136, 136, 136, 136, 136, 136, 136, 136, 136, 136, 136, 216, 141,  
216, 221, 221,  
216, 221, 221, 221, 221, 221, 221, 221, 221, 221, 221, 221, 221, 221, 221, 221, 221,  
221, 221, 221,  
210, 221, 34, 221, 34, 210, 34, 210, 34, 210, 34, 34, 34, 34, 34, 34, 34, 34, 34, 34,  
34, 34, 34, 34, 34, 42, 170, 170, 0, 0, 0, 0, 0, 0, 0, 0, 0, 0, 0, 0, 0,  
0,  
0,  
0,  
0,  
0,  
0,  
0, 0, 0, 0, 0, 0, 0, 0, 0, 0, 77, 221, 221, 221, 221, 221, 216, 216, 216,  
221, 141, 141, 141, 216, 216, 221, 221, 216, 141, 141, 141, 141, 141, 141, 136, 136,  
141, 136, 141,  
136, 136, 136, 232, 136, 136, 136, 232, 232, 142, 136, 232, 232, 232, 238, 136, 238,  
238, 142, 238,  
232, 238, 238, 238, 238, 238, 238, 238, 238, 238, 238, 238, 238, 238, 238, 238, 238, 236,  
238, 206, 238,  
238, 238, 236, 238, 238, 238, 238, 238, 238, 238, 238, 238, 238, 238, 238, 238, 238,  
238, 238, 238,  
238, 232, 232, 238, 142, 232, 232, 142, 136, 238, 232, 238, 232, 232, 142, 142, 142,  
136, 142, 136,  
136, 136, 136, 136, 136, 141, 136, 141, 136, 221, 136, 216, 216, 216, 221, 141, 216,  
221, 216, 216,  
221, 216, 216, 216, 221, 221, 221, 221, 221, 221, 221, 221, 221, 210, 221, 221, 45,  
45, 45, 45,  
45, 34, 221, 34, 210, 45, 45, 34, 34, 34, 34, 34, 34, 34, 34, 34, 34, 34, 34, 34, 34,  
34, 34, 34, 34, 34, 34, 41, 170, 0, 160, 0, 0, 0, 0, 0, 0, 0, 0, 0,  
0,  
0,  
0,  
0, 0, 0, 0, 0, 0, 0, 0, 0, 0, 0, 0, 0, 0, 0, 0, 0, 0, 0, 0,

0, 0, 0, 0, 0, 0, 0, 0, 0, 0, 0, 0, 0, 0, 0, 0, 0, 0, 0,  
0, 0, 0, 0, 0, 0, 0, 0, 0, 0, 0, 0, 0, 0, 0, 0, 0, 0, 0,  
0, 0, 0, 0, 0, 0, 0, 0, 0, 170, 221, 221, 221, 221, 221, 216, 221, 221, 221, 221,  
141, 221, 221, 216, 141, 221, 136, 136, 141, 136, 136, 216, 136, 136, 136, 136, 141,  
136, 136, 136,  
136, 136, 136, 136, 136, 136, 232, 136, 142, 232, 232, 232, 142, 142, 142, 238, 142,  
142, 232, 232,  
238, 238, 232, 238, 238, 238, 238, 238, 238, 238, 238, 238, 238, 238, 238, 236, 238, 238,  
238, 238, 206,  
236, 236, 238, 238, 238, 206, 238, 238, 236, 238, 238, 238, 238, 238, 238, 238, 238,  
238, 238, 238,  
238, 238, 238, 238, 232, 142, 142, 232, 238, 136, 142, 136, 142, 136, 136, 136, 136,  
136, 136, 136,  
136, 136, 136, 136, 136, 136, 141, 136, 136, 136, 221, 141, 141, 141, 136, 216, 141,  
216, 221, 221,  
216, 221, 221, 221, 216, 221, 221, 221, 221, 221, 221, 221, 221, 221, 221, 221, 45, 210,  
221, 210, 221,  
210, 221, 34, 221, 45, 210, 210, 210, 221, 45, 45, 45, 34, 34, 210, 34, 34, 34, 34, 34,  
34, 34, 34, 34, 34, 34, 34, 34, 34, 170, 0, 0, 0, 0, 0, 0, 0, 0, 0, 0, 0, 0, 0,  
0, 0, 0, 0, 0, 0, 0, 0, 0, 0, 0, 0, 0, 0, 0, 0, 0, 0, 0,  
0, 0, 0, 0, 0, 0, 0, 0, 0, 0, 0, 0, 0, 0, 0, 0, 0, 0, 0,  
0, 0, 0, 0, 0, 0, 0, 0, 0, 0, 0, 0, 0, 0, 0, 0, 0, 0, 0,  
0, 0, 0, 0, 0, 0, 0, 0, 0, 0, 0, 0, 0, 0, 0, 0, 0, 0, 0,  
0, 0, 0, 0, 0, 0, 0, 0, 0, 0, 0, 0, 0, 0, 0, 0, 0, 0, 0,  
0, 0, 0, 0, 0, 0, 0, 0, 0, 0, 0, 0, 0, 0, 0, 0, 0, 0, 0,  
0, 0, 0, 0, 0, 0, 0, 0, 77, 221, 221, 221, 221, 221, 221, 221, 221, 141, 141,  
216, 216, 216, 221, 216, 136, 221, 221, 216, 221, 136, 136, 141, 141, 136, 141, 136,  
136, 136, 216,  
136, 136, 142, 136, 136, 232, 136, 232, 136, 142, 142, 142, 142, 136, 232, 232, 238,  
142, 238, 142,  
238, 142, 238, 232, 238, 238, 238, 238, 238, 238, 238, 236, 238, 238, 238, 238, 238, 206,  
236, 238, 238,





0,  
0,  
0,  
0,  
0,  
0,  
0, 0, 0, 0, 0, 0, 0, 4, 221, 221, 210, 221, 210, 221, 221, 221, 221, 216, 216,  
216, 216, 216, 221, 221, 141, 141, 221, 216, 216, 136, 216, 216, 216, 136, 136, 216,  
136, 136, 136,  
136, 136, 136, 136, 136, 136, 136, 136, 136, 142, 142, 136, 142, 136, 238, 142, 136,  
238, 142, 232,  
238, 142, 238, 238, 238, 238, 238, 238, 238, 238, 238, 238, 238, 238, 238, 236, 238,  
238, 238, 238,  
238, 238, 238, 238, 238, 238, 238, 238, 238, 238, 238, 238, 238, 238, 238, 238, 238,  
238, 238, 238,  
238, 238, 238, 238, 142, 142, 238, 142, 142, 232, 232, 136, 238, 136, 232, 232, 142,  
142, 136, 136,  
136, 136, 136, 216, 136, 136, 216, 136, 216, 141, 141, 141, 136, 216, 141, 141, 141,  
221, 221, 141,  
221, 221, 216, 216, 221, 221, 221, 141, 221, 221, 221, 221, 221, 221, 221, 210, 221,  
221, 45, 221,  
221, 45, 221, 45, 34, 210, 210, 210, 45, 34, 34, 34, 34, 34, 34, 34, 34, 34, 34, 34,  
34, 34, 34, 34, 34, 34, 34, 34, 34, 34, 34, 41, 160, 160, 0, 0, 0, 0, 0, 0,  
0,  
0,  
0,  
0,  
0,  
0,  
0, 0, 0, 0, 0, 0, 173, 221, 221, 221, 221, 221, 221, 221, 216, 216, 216, 221, 136,  
221, 141, 77, 136, 136, 136, 77, 72, 136, 132, 141, 132, 136, 72, 72, 72, 72, 72, 136,  
136,

72, 142, 142, 72, 228, 232, 238, 238, 238, 232, 228, 238, 232, 238, 238, 238, 238,  
238, 232, 238,  
232, 238, 238, 238, 238, 238, 238, 238, 238, 206, 238, 206, 227, 236, 236, 238, 236,  
236, 236, 236,  
238, 206, 206, 206, 206, 236, 238, 206, 206, 206, 62, 206, 236, 238, 238, 62, 238,  
238, 238, 238,  
238, 238, 232, 238, 238, 238, 142, 238, 232, 232, 238, 238, 136, 238, 136, 142, 142,  
132, 232, 238,  
132, 132, 136, 136, 72, 136, 132, 136, 72, 136, 132, 136, 136, 132, 216, 72, 216,  
136, 136, 216,  
136, 136, 141, 221, 136, 77, 141, 212, 216, 221, 221, 221, 221, 221, 221, 212, 221,  
221, 221, 221,  
221, 221, 221, 221, 221, 221, 45, 221, 221, 210, 66, 221, 221, 36, 45, 221, 221, 36,  
34, 146,  
34, 34, 34, 34, 34, 34, 34, 34, 34, 34, 34, 34, 42, 160, 0, 0, 0, 0, 0, 0, 0,  
0,  
0,  
0,  
0,  
0,  
0,  
0, 0, 0, 0, 0, 10, 45, 210, 221, 45, 45, 221, 221, 221, 221, 34, 146, 153, 154, 170,  
154, 169, 169, 170, 170, 169, 169, 169, 170, 169, 170, 169, 169, 169, 169, 169, 169,  
169, 170, 169,  
169, 170, 170, 154, 154, 154, 170, 170, 170, 169, 169, 170, 169, 170, 169, 170, 169,  
170, 154, 154,  
154, 169, 170, 154, 154, 154, 154, 154, 154, 154, 154, 154, 153, 169, 169, 169, 169,  
169, 169, 169,  
169, 169, 169, 169, 169, 154, 153, 169, 169, 169, 169, 169, 169, 169, 169, 154, 154,  
154, 154, 154,  
154, 154, 154, 154, 169, 169, 169, 170, 154, 154, 169, 170, 154, 170, 154, 154, 170,  
154, 154, 170,









0,  
0,  
0,  
0,  
0,  
0, 0, 4, 45, 45, 221, 221, 45, 210, 154, 170, 170, 170, 170, 170, 170, 170, 170, 170,  
170,  
170, 170, 170, 170, 170, 170, 170, 170, 170, 170, 170, 170, 170, 170, 170, 170, 170,  
170, 170, 170,  
170, 170, 153, 68, 51, 204, 204, 204, 204, 204, 204, 196, 65, 153, 170, 170, 170,  
170, 170, 170,  
170, 170, 170, 170, 170, 10, 10, 170, 170, 170, 170, 170, 170, 170, 170, 170, 170,  
170, 170, 170,  
170, 170, 169, 201, 170, 170, 170, 170, 170, 170, 170, 170, 170, 170, 170, 170, 170,  
170, 170, 170,  
170, 170, 170, 170, 170, 170, 170, 170, 170, 170, 170, 147, 170, 170, 170, 170, 170,  
170, 170, 170,  
170, 170, 170, 170, 170, 170, 170, 170, 170, 170, 170, 170, 170, 170, 170, 170,  
169, 192, 170,  
170, 170, 170, 170, 170, 170, 170, 170, 170, 170, 170, 170, 170, 170, 170, 170,  
170, 170, 170,  
170, 170, 170, 170, 170, 170, 170, 170, 170, 170, 170, 170, 170, 170, 170, 170,  
170, 170, 170,  
170, 170, 170, 170, 170, 170, 170, 170, 170, 34, 34, 34, 34, 34, 34, 154, 0, 0, 0, 0,  
0,  
0,  
0,  
0,  
0,  
0,  
0, 0, 34, 221, 210, 210, 45, 221, 217, 10, 170, 170, 170, 170, 170, 170, 170, 170,  
170, 170,





170, 170, 170, 170, 170, 170, 170, 170, 170, 170, 170, 170, 76, 57, 10, 170, 170, 160,  
160, 170, 10,  
170, 170, 170, 170, 170, 170, 170, 170, 170, 170, 170, 170, 170, 170, 170, 170, 170, 170,  
156, 193, 170,  
170, 170, 170, 170, 170, 170, 164, 204, 204, 204, 204, 204, 204, 204, 204, 204, 204,  
204, 204, 204,  
204, 204, 204, 204, 204, 204, 204, 204, 204, 204, 170, 170, 170, 170, 170, 170, 170, 170,  
170, 170, 170,  
170, 170, 170, 170, 170, 170, 170, 170, 170, 170, 146, 34, 34, 34, 34, 34, 26, 0, 0, 0,  
0,  
0,  
0,  
0,  
0,  
0,  
0, 162, 221, 45, 210, 210, 221, 154, 170, 170, 170, 170, 170, 170, 170, 170, 170,  
170, 170, 170,  
170, 170, 170, 170, 170, 170, 170, 170, 170, 170, 170, 170, 170, 170, 170, 170, 170,  
169, 51, 204,  
204, 204, 204, 204, 204, 204, 204, 204, 204, 204, 204, 204, 204, 204, 204, 204, 204,  
195, 74, 170,  
170, 170, 170, 170, 170, 170, 170, 170, 170, 170, 170, 10, 10, 170, 170, 170, 170,  
170, 170, 170,  
170, 170, 204, 204, 201, 170, 170, 170, 170, 170, 170, 170, 170, 170, 170, 170, 170, 170,  
170, 170, 170,  
170, 170, 170, 170, 170, 170, 170, 170, 170, 170, 60, 196, 170, 170, 170, 170,  
170, 170, 170,  
170, 170, 170, 170, 170, 170, 170, 170, 170, 170, 170, 170, 170, 170, 170, 170,  
60, 195, 170,  
170, 170, 170, 170, 170, 170, 163, 204, 204, 204, 204, 204, 204, 204, 204, 204, 204,  
204, 204, 204,  
204, 204, 204, 204, 204, 204, 204, 204, 204, 170, 170, 170, 170, 170, 170, 170, 170,  
170, 170, 170,





204, 26, 170, 170, 170, 170, 170, 170, 170, 170, 170, 170, 170, 170, 170, 170, 170, 170, 170, 170, 10, 10, 170,

170, 60, 204, 204, 204, 202, 170, 170, 170, 170, 170, 10, 160, 170, 10, 170, 170, 170, 170, 170,

170, 170, 170, 170, 170, 170, 170, 170, 170, 170, 164, 204, 204, 193, 10, 170, 170, 170, 170, 170,

170, 170, 170, 170, 170, 170, 170, 160, 160, 170, 10, 170, 170, 170, 170, 170, 76, 204, 204, 16,

170, 170, 170, 10, 170, 170, 163, 204, 204, 204, 204, 204, 204, 204, 204, 204, 204, 204, 204, 204, 204,

204, 204, 204, 204, 204, 204, 204, 204, 204, 58, 170, 170, 170, 170, 170, 170, 170, 170, 170, 170,

170, 170, 170, 170, 170, 170, 170, 170, 170, 170, 170, 170, 146, 34, 34, 34, 34, 34, 0, 160,

0, 0,

0, 0,

0, 0,

0, 0,

0, 0,

0, 162,

210, 210, 221, 45, 221, 154, 170, 170, 170, 170, 170, 170, 170, 170, 170, 170, 170, 170, 170, 170, 170, 170, 170,

170, 170, 170, 170, 170, 170, 170, 170, 170, 170, 170, 170, 170, 170, 170, 67, 204, 204, 204, 204, 204,

204, 204,

204, 195, 26, 170, 170, 170, 170, 170, 170, 170, 170, 170, 170, 170, 170, 170, 170, 170, 170, 170, 10,

1, 204, 204, 204, 204, 196, 170, 170, 170, 170, 170, 170, 170, 170, 160, 170, 10, 170, 170, 170,

170, 170, 170, 170, 170, 170, 170, 170, 170, 170, 163, 204, 204, 204, 170, 170, 170, 170, 170, 170,

170, 170, 170, 170, 170, 170, 170, 170, 170, 170, 170, 170, 10, 10, 160, 170, 169, 204,  
204, 204, 74,  
170, 170, 170, 170, 160, 170, 4, 204, 204, 204, 204, 204, 204, 204, 204, 204, 204,  
204, 204, 204,  
204, 204, 204, 204, 204, 204, 204, 204, 204, 202, 170, 170, 170, 170, 170, 170, 170,  
170, 170, 170,  
170, 170, 170, 170, 170, 170, 170, 170, 170, 170, 170, 170, 170, 170, 34, 34, 34, 34, 34,  
42, 160,  
0,  
0,  
0,  
0,  
0,  
0, 0, 0, 0, 0, 0, 0, 0, 0, 0, 0, 0, 0, 0, 0, 0, 0, 0, 10, 45,  
45, 221, 45, 210, 210, 170, 170, 170, 170, 170, 170, 170, 170, 170, 170, 170, 170, 170,  
170, 170, 170,  
170, 170, 170, 170, 170, 170, 170, 170, 170, 170, 170, 170, 170, 147, 204, 204, 204,  
204, 204, 204,  
204, 204, 204, 204, 204, 204, 204, 204, 204, 204, 204, 204, 204, 204, 204, 204, 204,  
204, 204, 204,  
204, 204, 196, 154, 10, 170, 170, 170, 170, 170, 170, 170, 170, 170, 170, 170, 170, 170,  
170, 170, 170,  
147, 204, 204, 204, 204, 204, 154, 170, 170, 170, 170, 170, 170, 170, 170, 170, 170,  
10, 10, 160,  
170, 170, 170, 170, 170, 170, 170, 170, 170, 170, 172, 204, 204, 204, 74, 170, 170,  
170, 170, 170,  
170, 170, 170, 170, 170, 170, 170, 170, 170, 170, 170, 170, 170, 170, 160, 163, 204,  
204, 204, 58,  
170, 170, 170, 170, 170, 170, 163, 204, 204, 204, 204, 204, 204, 204, 204, 204,  
204, 204, 204,  
204, 204, 204, 204, 204, 204, 204, 204, 201, 170, 170, 170, 170, 170, 170, 170,  
170, 170, 170,

170, 170, 170, 170, 170, 170, 170, 170, 170, 170, 170, 170, 170, 170, 146, 34, 34, 34, 34,  
34, 160,

160,  
0,  
0,  
0,  
0,  
0, 0, 0, 0, 0, 0, 0, 0, 0, 0, 0, 0, 0, 0, 0, 0, 0, 0, 162, 34,

210, 210, 221, 45, 154, 170, 170, 170, 170, 170, 170, 170, 170, 170, 170, 170, 170, 170,  
170, 170, 170,

170, 170, 170, 170, 170, 170, 170, 170, 170, 170, 170, 170, 170, 161, 204, 204, 204, 204,  
204, 204, 204,

204, 204, 204, 204, 204, 204, 204, 204, 204, 204, 204, 204, 204, 204, 204, 204, 204, 204,  
204, 204, 204,

204, 204, 204, 49, 170, 170, 170, 170, 170, 170, 170, 170, 170, 170, 170, 170, 170, 170,  
170, 170, 170,

28, 204, 204, 204, 204, 204, 58, 170, 170, 170, 170, 170, 170, 170, 170, 170, 170,  
170, 170, 170,

160, 160, 170, 10, 170, 170, 170, 170, 170, 170, 156, 204, 204, 204, 201, 170, 170,  
170, 170, 170,

170, 170, 170, 170, 170, 170, 170, 170, 170, 170, 170, 170, 170, 170, 170, 28, 204,  
204, 204, 201,

170, 170, 170, 170, 170, 170, 164, 204, 204, 204, 204, 204, 204, 204, 204, 204, 204,  
204, 204, 204,

204, 204, 204, 204, 204, 204, 204, 204, 204, 193, 170, 170, 170, 170, 170, 170, 170,  
170, 170, 170,

170, 170, 170, 170, 170, 170, 170, 170, 170, 170, 170, 170, 170, 169, 34, 34, 34, 34,  
34, 42,

160,  
0,  
0,  
0,  
0, 0, 0, 0, 0, 0, 0, 0, 0, 0, 0, 0, 0, 0, 0, 0, 0, 0, 0, 0,



204, 204, 204, 74, 170, 160, 170, 170, 170, 170, 170, 170, 170, 170, 170, 170, 170, 170,  
170, 170, 163,  
204, 204, 204, 204, 204, 204, 195, 154, 170, 170, 170, 170, 170, 170, 170, 170, 170, 170,  
170, 170, 170,  
170, 170, 170, 170, 170, 170, 170, 160, 160, 170, 60, 204, 204, 204, 204, 16, 170,  
170, 170, 170,  
170, 170, 170, 170, 170, 170, 170, 170, 170, 170, 170, 170, 170, 170, 170, 164, 204, 204,  
204, 204, 196,  
10, 170, 170, 170, 170, 170, 163, 204, 204, 204, 204, 204, 204, 204, 204, 204, 204,  
204, 204, 204,  
204, 204, 204, 204, 204, 204, 204, 204, 204, 204, 170, 170, 170, 170, 170, 170, 170,  
170, 170, 170,  
170, 160, 160, 170, 10, 170, 170, 170, 170, 170, 170, 170, 170, 170, 169, 34, 34, 34,  
34, 34,  
42, 160,  
0, 0, 0, 0, 0, 0, 0, 0, 0, 0, 0, 0, 0, 0, 0, 0, 0, 0, 0,  
0, 0, 0, 0, 0, 0, 0, 0, 0, 0, 0, 0, 0, 0, 0, 0, 0, 0, 0,  
0, 0, 0, 0, 0, 0, 0, 0, 0, 0, 0, 0, 0, 0, 0, 0, 0, 0, 0,  
0, 0, 0, 0, 0, 0, 0, 0, 0, 0, 0, 0, 0, 0, 0, 0, 0, 0, 0,  
0, 0, 0, 0, 0, 0, 0, 0, 0, 0, 0, 0, 0, 0, 0, 0, 34, 45, 221,  
45, 210, 34, 170, 170, 170, 170, 170, 170, 170, 170, 170, 170, 170, 170, 170, 170, 170,  
170, 170, 170,  
170, 170, 170, 170, 170, 170, 170, 170, 170, 170, 170, 60, 204, 204, 204, 204, 204,  
204, 204, 204,  
204, 204, 204, 204, 204, 51, 68, 52, 68, 67, 195, 204, 204, 204, 204, 204, 204, 204,  
204, 204,  
204, 204, 201, 170, 170, 170, 170, 170, 170, 170, 170, 170, 170, 170, 170, 170, 170, 170,  
170, 170, 28,  
204, 204, 204, 204, 204, 204, 204, 204, 74, 170, 170, 170, 170, 170, 170, 170, 170,  
170, 170, 170,  
170, 170, 170, 170, 170, 170, 170, 170, 170, 204, 204, 204, 204, 204, 58, 170,  
170, 170, 170,



170, 170, 170, 170, 170, 170, 170, 170, 170, 170, 170, 170, 170, 170, 170, 156, 204, 204,  
204, 204, 195,  
10, 170, 170, 170, 170, 170, 164, 204, 204, 204, 204, 204, 204, 204, 204, 204, 204,  
204, 204, 204,  
204, 204, 204, 204, 204, 204, 204, 204, 204, 204, 170, 170, 170, 170, 170, 170, 170,  
170, 170, 170,  
170, 170, 170, 170, 170, 10, 10, 160, 170, 170, 170, 170, 170, 170, 170, 34, 34, 34,  
34, 34,  
34, 160, 160, 0, 0, 0, 0, 0, 0, 0, 0, 0, 0, 0, 0, 0, 0, 0, 0, 0, 0,  
0,  
0,  
0,  
0,  
0, 0, 0, 0, 0, 0, 0, 0, 0, 0, 0, 0, 0, 0, 0, 0, 173, 45, 210, 34,  
210, 221, 217, 170, 170, 170, 170, 170, 170, 170, 170, 170, 170, 170, 170, 170, 170, 170,  
170, 170, 170,  
170, 170, 170, 170, 170, 170, 170, 170, 170, 170, 163, 204, 204, 204, 204, 204, 204,  
204, 204, 204,  
204, 204, 195, 65, 154, 170, 170, 170, 170, 170, 169, 145, 51, 204, 204, 204, 204,  
204, 204, 204,  
204, 204, 73, 170, 170, 170, 170, 170, 170, 170, 170, 170, 170, 170, 170, 170, 170,  
170, 170, 204,  
204, 204, 204, 204, 204, 204, 204, 193, 170, 170, 170, 170, 170, 170, 170, 170, 170,  
170, 170, 170,  
170, 170, 170, 170, 170, 170, 170, 170, 169, 60, 204, 204, 204, 204, 193, 170,  
170, 170, 170,  
170, 170, 170, 170, 170, 170, 170, 170, 170, 170, 170, 170, 170, 60, 204, 204,  
204, 204, 195,  
170, 170, 170, 170, 170, 170, 163, 204, 204, 204, 204, 204, 204, 204, 51, 51,  
51, 51, 51,  
51, 51, 51, 51, 51, 51, 51, 51, 51, 51, 154, 170, 170, 170, 170, 170, 170, 170, 170,  
170,

170, 170, 170, 170, 170, 170, 170, 170, 170, 160, 160, 170, 10, 170, 170, 170, 169, 34,  
34, 34, 34,  
34, 42, 170, 0, 0, 0, 0, 0, 0, 0, 0, 0, 0, 0, 0, 0, 0, 0, 0, 0, 0,  
0, 0, 0, 0, 0, 0, 0, 0, 0, 0, 0, 0, 0, 0, 0, 0, 0, 0, 0,  
0, 0, 0, 0, 0, 0, 0, 0, 0, 0, 0, 0, 0, 0, 0, 0, 0, 0, 0,  
0, 0, 0, 0, 0, 0, 0, 0, 0, 0, 0, 0, 0, 0, 0, 0, 0, 0, 0,  
0, 0, 0, 0, 0, 0, 0, 0, 0, 0, 0, 0, 0, 0, 0, 0, 0, 0, 0,  
0, 0, 0, 0, 0, 0, 0, 0, 0, 0, 0, 0, 0, 0, 0, 0, 164, 34, 45, 221,  
45, 34, 154, 170, 170, 170, 170, 170, 170, 170, 170, 170, 170, 170, 170, 170, 170, 170,  
170, 170, 170,  
170, 170, 170, 170, 170, 170, 170, 170, 170, 170, 170, 60, 204, 204, 204, 204, 204, 204,  
204, 204, 204,  
204, 195, 25, 170, 170, 170, 170, 170, 170, 170, 170, 170, 170, 169, 20, 204, 204, 204,  
204, 204, 204,  
204, 195, 170, 170, 170, 170, 170, 170, 170, 170, 170, 170, 170, 170, 170, 170, 170, 170,  
170, 164, 204,  
204, 204, 204, 204, 204, 204, 204, 195, 170, 170, 170, 170, 170, 170, 170, 170, 170,  
170, 170, 170,  
170, 170, 170, 170, 170, 170, 170, 170, 170, 170, 161, 204, 204, 204, 204, 204, 204, 154,  
170, 170, 170,  
170, 170, 170, 170, 170, 170, 170, 170, 170, 170, 170, 170, 170, 161, 204, 204, 204,  
204, 204, 204,  
154, 170, 170, 170, 170, 170, 164, 204, 204, 204, 204, 204, 204, 204, 195, 153, 153,  
153, 153, 153,  
153, 153, 153, 153, 153, 153, 153, 153, 153, 153, 170, 170, 170, 170, 170, 170, 170,  
170, 170, 170,  
170, 170, 170, 170, 170, 170, 170, 170, 170, 170, 170, 170, 10, 10, 170, 170, 34, 34,  
34, 34,  
34, 34, 160, 160, 0, 0, 0, 0, 0, 0, 0, 0, 0, 0, 0, 0, 0, 0, 0, 0, 0,  
0, 0, 0, 0, 0, 0, 0, 0, 0, 0, 0, 0, 0, 0, 0, 0, 0, 0, 0,  
0, 0, 0, 0, 0, 0, 0, 0, 0, 0, 0, 0, 0, 0, 0, 0, 0, 0, 0,  
0, 0, 0, 0, 0, 0, 0, 0, 0, 0, 0, 0, 0, 0, 0, 0, 0, 0, 0,  
0, 0, 0, 0, 0, 0, 0, 0, 0, 0, 0, 0, 0, 0, 0, 0, 0, 0, 0,



195, 170, 170, 170, 170, 170, 170, 170, 170, 170, 170, 170, 170, 170, 170, 170, 170, 170,  
170, 60, 204,  
204, 204, 204, 204, 204, 204, 204, 204, 204, 201, 170, 170, 170, 170, 170, 170, 170, 170,  
170, 170, 170,  
170, 170, 170, 170, 170, 170, 170, 170, 170, 170, 163, 204, 204, 204, 204, 204, 204, 201,  
170, 170, 170,  
170, 170, 170, 170, 170, 170, 170, 170, 170, 170, 170, 170, 170, 170, 28, 204, 204, 204,  
204, 204, 204,  
74, 170, 170, 170, 170, 170, 163, 204, 204, 204, 204, 204, 204, 204, 196, 170, 170,  
170, 170, 170,  
170, 170, 170, 170, 170, 170, 170, 170, 170, 170, 170, 170, 170, 170, 170, 170, 170, 170,  
170, 170, 170,  
170, 170, 170, 170, 170, 170, 170, 170, 170, 170, 170, 170, 170, 170, 170, 10, 169,  
34, 34, 34,  
34, 34, 34, 160, 160, 0, 0, 0, 0, 0, 0, 0, 0, 0, 0, 0, 0, 0, 0, 0, 0,  
0, 0, 0, 0, 0, 0, 0, 0, 0, 0, 0, 0, 0, 0, 0, 0, 0, 0,  
0, 0, 0, 0, 0, 0, 0, 0, 0, 0, 0, 0, 0, 0, 0, 0, 0, 0,  
0, 0, 0, 0, 0, 0, 0, 0, 0, 0, 0, 0, 0, 0, 0, 0, 0, 0,  
0, 0, 0, 0, 0, 0, 0, 0, 0, 0, 0, 0, 0, 0, 0, 0, 0, 0,  
0, 0, 0, 0, 0, 0, 0, 0, 0, 0, 0, 0, 0, 0, 0, 34, 45, 221, 221, 34,  
137, 170, 170, 170, 170, 170, 170, 170, 170, 170, 170, 170, 170, 170, 170, 170, 170, 170,  
170, 170, 170,  
170, 170, 170, 170, 170, 170, 170, 170, 169, 204, 204, 204, 204, 204, 204, 204, 204,  
204, 204, 58,  
170, 170, 170, 170, 170, 170, 170, 170, 170, 170, 170, 170, 170, 170, 170, 170, 147,  
204, 204, 204,  
202, 170, 170, 170, 170, 170, 170, 170, 170, 170, 170, 170, 170, 170, 170, 170, 170, 170,  
161, 204, 204,  
204, 204, 204, 204, 204, 204, 204, 204, 195, 170, 170, 170, 170, 170, 170, 170, 170,  
170, 170, 170,  
170, 170, 170, 170, 170, 170, 170, 170, 170, 147, 204, 204, 204, 204, 204, 204, 204,  
170, 170, 170,







170, 170, 170, 170, 170, 170, 170, 170, 170, 170, 170, 170, 170, 170, 170, 170, 170, 163,  
204, 204, 204,

204, 204, 204, 204, 204, 204, 204, 204, 204, 204, 204, 26, 170, 170, 170, 170, 170, 170,  
170, 170, 170,

170, 170, 170, 170, 170, 170, 170, 170, 170, 60, 204, 204, 204, 204, 204, 204, 204,  
204, 154, 170,

170, 170, 170, 170, 170, 170, 170, 170, 170, 170, 170, 164, 204, 204, 204, 204, 204,  
204, 204, 204,

196, 170, 170, 170, 170, 170, 164, 204, 204, 204, 204, 204, 204, 204, 196, 170, 170,  
170, 170, 170,

170, 170, 170, 170, 170, 170, 170, 170, 170, 170, 170, 170, 170, 170, 170, 170, 170,  
170, 170, 170,

170, 170, 170, 170, 170, 170, 170, 170, 170, 170, 170, 170, 170, 170, 170, 170,  
170, 170, 146,

34, 34, 34, 34, 34, 42, 160, 0, 0, 0, 0, 0, 0, 0, 0, 0, 0, 0, 0,

0, 0, 0, 0, 0, 0, 0, 0, 0, 0, 0, 0, 0, 0, 0, 0, 0, 0,

0, 0, 0, 0, 0, 0, 0, 0, 0, 0, 0, 0, 0, 0, 0, 0, 0, 0,

0, 0, 0, 0, 0, 0, 0, 0, 0, 0, 0, 0, 0, 0, 0, 0, 0, 0,

0, 0, 0, 0, 0, 0, 0, 0, 0, 0, 0, 0, 0, 0, 0, 0, 0, 0,

0, 0, 0, 0, 0, 0, 0, 0, 0, 0, 10, 34, 45, 45, 45, 221, 45, 42, 170,

170, 170, 170, 170, 170, 170, 170, 170, 170, 170, 170, 170, 170, 170, 170, 170, 170,  
170, 170, 170,

170, 170, 170, 170, 170, 170, 170, 163, 204, 204, 204, 204, 204, 204, 204, 204, 196,  
170, 170, 170,

170, 170, 170, 170, 170, 170, 170, 170, 170, 170, 170, 170, 170, 170, 170, 170,  
170, 170, 170,

170, 170, 170, 170, 170, 170, 170, 170, 170, 170, 170, 170, 170, 170, 170, 28,  
204, 204, 204,

204, 204, 204, 204, 204, 204, 204, 204, 204, 204, 57, 10, 170, 170, 170, 170, 170,  
170, 170, 170,

170, 170, 170, 170, 170, 170, 170, 169, 60, 204, 204, 204, 204, 204, 204, 204,  
204, 58, 170,









170, 170, 170, 170, 170, 170, 170, 170, 170, 170, 170, 170, 170, 170, 170, 170, 60, 204,  
204, 204, 204,  
204, 204, 201, 169, 204, 204, 204, 204, 204, 204, 204, 204, 193, 170, 170, 170, 170, 170,  
170, 170, 170,  
170, 170, 170, 170, 170, 170, 170, 170, 163, 204, 204, 204, 204, 204, 204, 204, 204,  
204, 204, 201,  
170, 170, 170, 170, 170, 170, 170, 170, 170, 170, 28, 204, 204, 204, 204, 204, 204,  
204, 204, 204,  
204, 202, 170, 170, 170, 170, 163, 204, 204, 204, 204, 204, 204, 204, 196, 170, 170,  
170, 170, 170,  
170, 170, 169, 170, 170, 170, 154, 170, 170, 170, 170, 170, 170, 170, 170, 170, 170,  
170, 170, 170,  
170, 170, 170, 170, 170, 170, 170, 170, 170, 170, 170, 170, 170, 170, 170, 170,  
170, 170, 170,  
170, 169, 34, 34, 34, 34, 34, 34, 154, 0, 0, 0, 0, 0, 0, 0, 0, 0, 0,  
0, 0, 0, 0, 0, 0, 0, 0, 0, 0, 0, 0, 0, 0, 0, 0, 0, 0, 0,  
0, 0, 0, 0, 0, 0, 0, 0, 0, 0, 0, 0, 0, 0, 0, 0, 0, 0, 0,  
0, 0, 0, 0, 0, 0, 0, 0, 0, 0, 0, 0, 0, 0, 0, 0, 0, 0, 0,  
0, 0, 0, 0, 0, 0, 0, 0, 0, 0, 0, 0, 0, 0, 0, 0, 0, 0, 0,  
0, 0, 0, 0, 0, 0, 0, 0, 34, 34, 34, 210, 34, 210, 217, 170, 170, 170, 170,  
170, 170, 170, 170, 170, 170, 170, 170, 170, 170, 170, 170, 170, 170, 170, 170, 170,  
170, 170, 170,  
170, 170, 170, 170, 170, 170, 163, 204, 204, 204, 204, 204, 204, 204, 204, 74, 170,  
170, 170, 170,  
170, 170, 170, 170, 170, 170, 170, 170, 170, 170, 170, 170, 170, 170, 170, 170,  
170, 170, 170,  
170, 170, 170, 170, 170, 170, 170, 170, 170, 170, 170, 170, 170, 161, 204, 204,  
204, 204, 204,  
204, 204, 48, 170, 76, 204, 204, 204, 204, 204, 204, 170, 170, 170, 170, 170,  
170, 170, 170,  
170, 170, 170, 170, 170, 170, 170, 170, 156, 204, 204, 204, 204, 204, 204, 204, 204,  
204, 204, 195,

0, 170, 170, 170, 170, 170, 170, 170, 170, 170, 170, 204, 204, 204, 204, 204, 204, 204,  
204, 204, 204,  
204, 202, 170, 170, 170, 170, 164, 204, 204, 204, 204, 204, 204, 204, 204, 204, 51, 60,  
51, 195, 60,  
51, 195, 51, 51, 60, 51, 51, 26, 170, 170, 170, 170, 170, 170, 170, 170, 170, 170,  
170, 170,  
170, 170, 170, 170, 170, 170, 170, 170, 170, 170, 170, 170, 170, 170, 170, 170, 170, 170,  
170, 170, 170,  
170, 170, 162, 34, 34, 34, 34, 34, 34, 10, 0, 0, 0, 0, 0, 0, 0, 0, 0, 0,  
0,  
0,  
0,  
0,  
0, 0, 0, 0, 0, 0, 0, 0, 1, 34, 34, 210, 34, 210, 45, 154, 170, 170, 170, 170,  
170, 170, 170, 170, 170, 170, 170, 170, 170, 170, 170, 170, 170, 170, 170, 170, 170, 170,  
170, 170, 170,  
170, 170, 170, 170, 170, 170, 172, 204, 204, 204, 204, 204, 204, 204, 204, 204, 154, 170,  
170, 170, 170,  
170, 170, 170, 170, 170, 170, 170, 170, 170, 170, 170, 170, 170, 170, 170, 170, 170, 170,  
170, 170, 170,  
170, 170, 170, 170, 170, 170, 170, 170, 170, 170, 170, 170, 170, 170, 147, 204, 204,  
204, 204, 204,  
204, 204, 154, 170, 28, 204, 204, 204, 204, 204, 204, 204, 58, 170, 170, 170, 170,  
170, 170, 170,  
170, 170, 170, 170, 170, 170, 170, 170, 28, 204, 204, 204, 204, 204, 204, 204, 204,  
204, 204, 204,  
26, 170, 170, 170, 170, 170, 170, 170, 170, 164, 204, 204, 204, 204, 204, 204, 204,  
204, 204, 204,  
204, 193, 170, 170, 170, 170, 163, 204, 204, 204, 204, 204, 204, 204, 204, 204, 204,  
204, 204, 204,  
204, 204, 204, 204, 204, 204, 26, 170, 170, 170, 170, 170, 170, 170, 170, 170,  
170, 170, 170,



0, 0, 0, 0, 0, 0, 0, 1, 34, 34, 34, 34, 34, 34, 170, 170, 170, 170, 170, 170,  
170, 170, 170, 170, 170, 170, 170, 170, 170, 170, 170, 170, 170, 170, 170, 170, 170, 170, 170,  
170, 170, 170,  
170, 170, 170, 170, 170, 170, 76, 204, 204, 204, 204, 204, 204, 204, 196, 170, 170,  
170, 170, 170,  
170, 170, 170, 170, 170, 170, 161, 204, 204, 204, 204, 204, 204, 204, 204, 204, 204,  
204, 204, 204,  
204, 204, 204, 204, 202, 170, 170, 170, 170, 170, 170, 170, 170, 169, 204, 204, 204,  
204, 204, 204,  
204, 201, 170, 170, 161, 204, 204, 204, 204, 204, 204, 204, 195, 170, 170, 170, 170,  
170, 170, 170,  
170, 170, 170, 170, 170, 170, 170, 170, 60, 204, 204, 204, 204, 204, 204, 204, 204,  
204, 204, 204,  
196, 170, 170, 170, 170, 170, 170, 170, 170, 60, 204, 204, 204, 204, 204, 204, 204,  
204, 204, 204,  
204, 195, 170, 170, 170, 170, 163, 204, 204, 204, 204, 204, 204, 204, 204, 204, 204,  
204, 204, 204,  
204, 204, 204, 204, 204, 204, 26, 170, 170, 170, 170, 170, 170, 170, 170, 170,  
170, 170, 170,  
170, 170, 170, 170, 170, 170, 170, 170, 170, 170, 170, 170, 170, 170, 170, 170, 170,  
170, 170, 170,  
170, 170, 170, 170, 34, 34, 34, 34, 34, 34, 146, 0, 0, 0, 0, 0, 0, 0, 0, 0,  
0, 0, 0, 0, 0, 0, 0, 0, 0, 0, 0, 0, 0, 0, 0, 0, 0, 0, 0,  
0, 0, 0, 0, 0, 0, 0, 0, 0, 0, 0, 0, 0, 0, 0, 0, 0, 0, 0,  
0, 0, 0, 0, 0, 0, 0, 0, 0, 0, 0, 0, 0, 0, 0, 0, 0, 0, 0,  
0, 0, 0, 0, 0, 0, 0, 0, 0, 0, 0, 0, 0, 0, 0, 0, 0, 0, 162,  
34, 34, 34, 34, 34, 34, 34, 34, 34, 34, 34, 210, 210, 73, 170, 170, 170, 170, 170, 170,  
170, 170, 170, 170, 170, 170, 170, 170, 170, 170, 170, 170, 170, 170, 170, 170, 170,  
170, 170, 170,  
170, 170, 170, 170, 170, 170, 76, 204, 204, 204, 204, 204, 204, 204, 193, 170, 170,  
170, 170, 170,  
170, 170, 170, 170, 170, 170, 164, 204, 204, 204, 204, 204, 204, 204, 204, 204, 204,  
204, 204, 204,

204, 204, 204, 204, 202, 170, 170, 170, 170, 170, 170, 170, 170, 163, 204, 204, 204,  
204, 204, 204,  
204, 58, 170, 170, 160, 76, 204, 204, 204, 204, 204, 204, 204, 74, 170, 170, 170,  
170, 170, 170,  
170, 170, 170, 170, 170, 170, 170, 170, 204, 204, 204, 204, 204, 204, 204, 204, 204,  
204, 204, 204,  
204, 154, 170, 170, 170, 170, 170, 170, 161, 204, 204, 204, 204, 204, 204, 204, 204,  
204, 204, 204,  
204, 204, 170, 170, 170, 170, 164, 204, 204, 204, 204, 204, 204, 204, 204, 204, 204,  
204, 204, 204,  
204, 204, 204, 204, 204, 204, 204, 26, 170, 170, 170, 170, 170, 170, 170, 170, 170,  
170, 170, 170,  
170, 170, 170, 170, 170, 170, 170, 170, 170, 170, 170, 170, 170, 170, 170, 170, 170,  
170, 170, 170,  
170, 170, 170, 170, 169, 34, 34, 34, 34, 34, 34, 34, 34, 34, 34, 34, 34, 34, 34, 34, 0,  
0, 0, 0, 0, 0, 0, 0, 0, 0, 0, 0, 0, 0, 0, 0, 0, 0, 0, 0,  
0, 0, 0, 0, 0, 0, 0, 0, 0, 0, 0, 0, 0, 0, 0, 0, 0, 0, 0,  
0, 0, 0, 0, 0, 0, 0, 0, 0, 0, 0, 0, 0, 0, 0, 0, 0, 0, 0,  
0, 0, 0, 0, 0, 0, 0, 0, 0, 0, 0, 0, 0, 0, 0, 0, 0, 0, 164,  
34, 34, 34, 34, 34, 34, 34, 34, 34, 34, 34, 34, 34, 170, 170, 170, 170, 170, 170, 170,  
170, 170, 170, 170, 170, 170, 170, 170, 170, 170, 170, 170, 170, 170, 170, 170, 170,  
170, 170, 170,  
170, 170, 170, 170, 170, 170, 60, 204, 204, 204, 204, 204, 204, 204, 201, 170, 170,  
170, 170, 170,  
170, 170, 170, 170, 170, 170, 156, 204, 204, 204, 204, 204, 204, 204, 204, 204,  
204, 204, 204,  
204, 204, 204, 204, 201, 170, 170, 170, 170, 170, 170, 170, 170, 28, 204, 204, 204,  
204, 204, 204,  
204, 154, 170, 170, 170, 172, 204, 204, 204, 204, 204, 204, 201, 170, 170, 170,  
170, 170, 170,  
170, 170, 170, 170, 170, 170, 169, 204, 204, 204, 204, 204, 204, 204, 204, 204,  
204, 204, 204,



204, 48, 170, 170, 170, 170, 170, 170, 172, 204, 204, 204, 204, 204, 204, 204, 204,  
204, 204, 204,  
204, 204, 154, 170, 170, 170, 163, 204, 204, 204, 204, 204, 204, 204, 204, 204, 204,  
204, 204, 204,  
204, 204, 204, 204, 204, 204, 204, 26, 170, 170, 170, 170, 170, 170, 170, 170, 170,  
170, 170, 170,  
170, 170, 170, 170, 170, 170, 170, 170, 170, 170, 170, 170, 170, 170, 170, 170, 170,  
170, 170, 170,  
170, 170, 170, 170, 170, 34, 34, 34, 34, 34, 34, 34, 34, 34, 34, 34, 34, 146, 34, 0,  
0,  
0,  
0,  
0, 0, 0, 0, 0, 0, 0, 0, 0, 0, 0, 0, 0, 0, 0, 0, 0, 0, 162,  
34, 34, 34, 34, 34, 34, 34, 34, 34, 34, 34, 34, 210, 154, 170, 170, 170, 170, 170, 170,  
170,  
170, 170, 170, 170, 170, 170, 170, 170, 170, 170, 170, 170, 170, 170, 170, 170, 170,  
170, 170, 170,  
170, 170, 170, 170, 170, 170, 60, 204, 204, 204, 204, 204, 204, 204, 201, 170, 170,  
170, 170, 170,  
170, 170, 170, 170, 170, 170, 28, 204, 204, 204, 204, 204, 204, 204, 204, 204,  
204, 204, 204,  
204, 204, 204, 204, 202, 170, 170, 170, 170, 170, 170, 170, 170, 204, 204, 204, 204,  
204, 204, 204,  
195, 170, 170, 170, 170, 163, 204, 204, 204, 204, 204, 204, 195, 170, 170, 170,  
170, 170, 170,  
170, 170, 170, 170, 170, 170, 161, 204, 204, 204, 204, 204, 204, 204, 204, 204,  
204, 204, 204,  
204, 201, 170, 170, 170, 170, 170, 170, 76, 204, 204, 204, 204, 204, 204, 204, 204,  
204, 204, 204,  
204, 204, 74, 170, 170, 170, 164, 204, 204, 204, 204, 204, 204, 204, 204, 204,  
204, 204, 204,  
204, 204, 204, 204, 204, 204, 26, 170, 170, 170, 170, 170, 170, 170, 170, 170,  
170, 170, 170,





170, 170, 170, 170, 170, 164, 204, 204, 204, 204, 204, 204, 204, 204, 204, 204, 204, 204,  
204, 204, 204,  
204, 204, 204, 204, 202, 170, 170, 170, 170, 170, 170, 170, 60, 204, 204, 204, 204,  
204, 204, 204,  
26, 170, 170, 170, 170, 170, 156, 204, 204, 204, 204, 204, 204, 204, 196, 170, 170,  
170, 170, 170,  
170, 170, 170, 170, 170, 170, 170, 156, 204, 204, 204, 204, 204, 204, 195, 204, 204,  
204, 204, 204,  
204, 204, 202, 170, 170, 170, 170, 19, 204, 204, 204, 204, 204, 204, 204, 60, 204,  
204, 204, 204,  
204, 204, 201, 170, 170, 170, 163, 204, 204, 204, 204, 204, 204, 204, 204, 204, 204,  
204, 204, 204,  
204, 204, 204, 204, 204, 204, 204, 26, 170, 170, 170, 170, 170, 10, 170, 170, 170,  
170, 170, 170,  
170, 170, 170, 170, 170, 170, 170, 170, 170, 170, 170, 170, 170, 170, 170, 170, 170,  
170, 170, 170,  
170, 170, 170, 170, 170, 9, 34, 34, 34, 34, 34, 34, 34, 34, 34, 34, 34, 34, 34, 34, 0,  
0, 0, 0, 0, 0, 0, 0, 0, 0, 0, 0, 0, 0, 0, 0, 0, 0, 0, 0,  
0, 0, 0, 0, 0, 0, 0, 0, 0, 0, 0, 0, 0, 0, 0, 0, 0, 0, 0,  
0, 0, 0, 0, 0, 0, 0, 0, 0, 0, 0, 0, 0, 0, 0, 0, 0, 0, 0,  
0, 0, 0, 0, 0, 0, 0, 0, 0, 0, 0, 0, 0, 0, 0, 0, 0, 0, 162,  
34, 34, 34, 34, 34, 34, 34, 34, 34, 34, 34, 34, 210, 170, 170, 170, 170, 170, 170, 170,  
170, 170, 170, 170, 170, 170, 170, 170, 170, 170, 170, 170, 170, 170, 170, 170, 170,  
170, 170, 170,  
170, 170, 170, 170, 170, 170, 76, 204, 204, 204, 204, 204, 204, 204, 57, 170, 170,  
170, 170, 170,  
170, 170, 170, 170, 170, 172, 204, 204, 204, 204, 204, 204, 204, 204, 204, 204, 204,  
204, 204, 204,  
204, 204, 204, 204, 202, 170, 170, 170, 170, 170, 170, 161, 204, 204, 204, 204, 204,  
204, 204, 204,  
170, 170, 170, 170, 170, 170, 161, 204, 204, 204, 204, 204, 204, 204, 154, 170,  
170, 170, 170,

170, 170, 170, 170, 170, 170, 170, 170, 28, 204, 204, 204, 204, 204, 204, 201, 60, 204,  
204, 204, 204,  
204, 204, 196, 170, 170, 170, 170, 60, 204, 204, 204, 204, 204, 204, 201, 76, 204,  
204, 204, 204,  
204, 204, 193, 170, 170, 170, 164, 204, 204, 204, 204, 204, 204, 204, 204, 204, 204,  
204, 204, 204,  
204, 204, 204, 204, 204, 204, 204, 26, 170, 170, 170, 170, 170, 170, 170, 170, 170,  
170, 170, 170,  
170, 170, 170, 170, 170, 170, 170, 170, 170, 170, 170, 170, 170, 170, 170, 170, 170,  
170, 170, 170,  
170, 170, 170, 170, 160, 146, 34, 34, 34, 34, 34, 34, 34, 34, 34, 34, 34, 34, 34, 34, 34, 0,  
0,  
0,  
0,  
0, 0, 0, 0, 0, 0, 0, 0, 0, 0, 0, 0, 0, 0, 0, 0, 0, 0, 0, 173,  
34, 34, 34, 34, 34, 34, 34, 34, 34, 34, 34, 34, 210, 34, 25, 170, 170, 170, 170, 170, 170,  
170, 170, 170, 170, 170, 170, 170, 170, 170, 170, 170, 170, 170, 170, 170, 170, 170,  
170, 170, 170,  
170, 170, 170, 170, 170, 170, 60, 204, 204, 204, 204, 204, 204, 204, 202, 170, 170,  
170, 170, 170,  
170, 170, 170, 170, 170, 76, 204, 204, 204, 204, 204, 204, 204, 204, 204, 204,  
204, 204, 204,  
204, 204, 204, 204, 201, 170, 170, 170, 170, 170, 170, 147, 204, 204, 204, 204, 204,  
204, 204, 193,  
170, 170, 170, 170, 170, 170, 169, 60, 204, 204, 204, 204, 204, 204, 204, 58, 170,  
170, 170, 170,  
170, 170, 170, 170, 170, 170, 170, 76, 204, 204, 204, 204, 204, 204, 58, 28, 204,  
204, 204, 204,  
204, 204, 204, 154, 170, 170, 161, 204, 204, 204, 204, 204, 204, 204, 48, 28, 204,  
204, 204, 204,  
204, 204, 196, 170, 170, 170, 163, 204, 204, 204, 204, 204, 204, 204, 204, 204, 204,  
204, 204, 204,

204, 204, 204, 204, 204, 204, 204, 26, 170, 170, 170, 170, 170, 170, 170, 170, 170,  
170, 170, 170,  
170, 170, 170, 170, 170, 170, 170, 170, 170, 170, 170, 170, 170, 170, 170, 170, 170,  
170, 170, 170,  
170, 170, 170, 170, 169, 34, 34, 34, 34, 34, 34, 34, 34, 34, 34, 34, 34, 34, 34, 34, 170,  
0,  
0,  
0,  
0, 0, 0, 0, 0, 0, 0, 0, 0, 0, 0, 0, 0, 0, 0, 0, 0, 0, 0, 161,  
146, 146, 146, 146, 146, 41, 217, 209, 34, 34, 34, 34, 34, 34, 170, 170, 170, 170,  
170, 170,  
170, 170, 170, 170, 170, 170, 170, 170, 170, 170, 170, 170, 170, 170, 170, 170, 170,  
170, 170, 170,  
170, 170, 170, 170, 170, 170, 28, 204, 204, 204, 204, 204, 204, 204, 201, 170, 170,  
170, 170, 170,  
170, 170, 170, 170, 170, 204, 204, 204, 204, 204, 204, 204, 204, 204, 204, 204, 204,  
204, 204, 204,  
204, 204, 204, 204, 202, 170, 170, 170, 170, 170, 170, 76, 204, 204, 204, 204, 204,  
204, 204, 202,  
170, 170, 170, 170, 170, 170, 170, 28, 204, 204, 204, 204, 204, 204, 204, 195, 10,  
170, 170, 170,  
170, 170, 170, 170, 170, 170, 170, 204, 204, 204, 204, 204, 204, 204, 48, 163, 204,  
204, 204, 204,  
204, 204, 204, 58, 170, 170, 172, 204, 204, 204, 204, 204, 204, 204, 154, 156, 204,  
204, 204, 204,  
204, 204, 195, 170, 170, 170, 164, 204, 204, 204, 204, 204, 204, 204, 51, 52,  
51, 51, 67,  
51, 52, 51, 51, 67, 51, 52, 154, 170, 170, 170, 170, 170, 170, 160, 170, 170, 170,  
170, 170,  
170, 170, 170, 170, 170, 170, 170, 170, 170, 170, 170, 170, 170, 170, 170, 170, 170,  
170, 170, 170,  
170, 170, 170, 170, 34, 34, 34, 34, 34, 34, 34, 146, 146, 146, 153, 41, 41, 41, 41,  
170,

0,  
0,  
0,  
0, 0, 0, 0, 0, 0, 0, 0, 0, 0, 0, 0, 0, 0, 0, 0, 0, 0, 0, 10,  
170, 170, 170, 170, 170, 170, 170, 170, 170, 34, 34, 34, 210, 210, 210, 73, 170, 170, 170,  
170, 170,  
170, 170, 170, 170, 170, 170, 170, 170, 170, 170, 170, 170, 170, 170, 170, 170, 170, 170,  
170, 170, 170,  
170, 170, 170, 170, 170, 170, 156, 204, 204, 204, 204, 204, 204, 204, 193, 170, 170,  
170, 170, 170,  
170, 170, 170, 170, 161, 204, 204, 204, 204, 204, 204, 204, 204, 204, 204, 204, 204, 204,  
204, 204, 204,  
204, 204, 204, 204, 202, 170, 170, 170, 170, 170, 169, 204, 204, 204, 204, 204, 204,  
204, 204, 26,  
170, 170, 170, 170, 170, 170, 170, 163, 204, 204, 204, 204, 204, 204, 204, 204, 154,  
170, 170, 170,  
170, 170, 170, 170, 170, 170, 170, 204, 204, 204, 204, 204, 204, 204, 64, 169, 204,  
204, 204, 204,  
204, 204, 204, 196, 170, 170, 60, 204, 204, 204, 204, 204, 204, 196, 170, 172, 204,  
204, 204, 204,  
204, 204, 195, 154, 170, 170, 163, 204, 204, 204, 204, 204, 204, 204, 196, 0, 170,  
170, 170, 170,  
170, 170, 170, 170, 170, 170, 170, 170, 170, 170, 170, 170, 170, 170, 170, 170, 170, 170,  
170, 170, 170,  
170, 170, 170, 170, 170, 170, 170, 170, 170, 170, 170, 170, 170, 170, 170, 170, 170,  
170, 170, 170,  
170, 170, 170, 169, 34, 34, 34, 34, 34, 34, 154, 170, 170, 170, 169, 170, 170, 170,  
170, 170,  
160,  
0,  
0,  
0, 0, 0, 0, 0, 0, 0, 0, 0, 0, 0, 0, 0, 0, 0, 0, 0, 0, 0, 0,

170, 170, 170, 170, 170, 170, 170, 170, 170, 161, 34, 34, 34, 34, 34, 34, 154, 170, 170,  
170, 170,  
170, 170, 170, 170, 170, 170, 170, 170, 170, 170, 170, 170, 170, 170, 170, 170, 170, 170,  
170, 170, 170,  
170, 170, 170, 170, 170, 170, 172, 204, 204, 204, 204, 204, 204, 204, 195, 170, 170,  
170, 170, 170,  
170, 170, 170, 170, 164, 51, 51, 51, 51, 51, 51, 51, 51, 51, 51, 51, 51, 51, 51, 51, 60, 204, 204, 204,  
204, 204, 204, 204, 201, 170, 170, 170, 170, 170, 163, 204, 204, 204, 204, 204, 204,  
204, 204, 153,  
153, 153, 153, 153, 89, 153, 149, 147, 204, 204, 204, 204, 204, 204, 204, 204, 58,  
170, 170, 170,  
170, 170, 170, 170, 170, 170, 161, 204, 204, 204, 204, 204, 204, 204, 16, 170, 76,  
204, 204, 204,  
204, 204, 204, 195, 154, 169, 204, 204, 204, 204, 204, 204, 204, 201, 170, 163, 204,  
204, 204, 204,  
204, 204, 204, 26, 170, 170, 164, 204, 204, 204, 204, 204, 204, 204, 195, 10, 170,  
170, 170, 170,  
170, 170, 170, 170, 170, 170, 170, 170, 170, 170, 170, 170, 170, 170, 170, 170, 160, 170,  
170, 170, 170,  
170, 170, 170, 170, 170, 170, 170, 170, 170, 170, 170, 170, 170, 170, 170, 170, 170, 170,  
170, 170, 170,  
170, 170, 170, 34, 34, 34, 34, 34, 34, 154, 170, 170, 170, 170, 170, 10, 170, 170,  
170, 170,  
0,  
0,  
0,  
0,  
0, 160, 160, 160, 170, 0, 0, 10, 10, 34, 45, 45, 45, 34, 45, 218, 170, 170, 170, 170,  
170, 170, 170, 170, 170, 170, 170, 170, 170, 170, 170, 170, 170, 170, 170, 170, 170, 170,  
170, 170, 170,  
170, 170, 170, 170, 170, 170, 172, 204, 204, 204, 204, 204, 204, 204, 204, 154, 170,  
170, 170, 170,





170, 170, 170, 170, 170, 170, 163, 204, 204, 204, 204, 204, 204, 204, 10, 170, 161,  
204, 204, 204,  
204, 204, 204, 204, 201, 28, 204, 204, 204, 204, 204, 204, 204, 170, 170, 161, 204,  
204, 204, 204,  
204, 204, 204, 74, 170, 170, 164, 204, 204, 204, 204, 204, 204, 204, 196, 170, 170,  
170, 170, 170,  
170, 170, 170, 170, 170, 170, 170, 170, 170, 170, 170, 170, 170, 170, 170, 170, 170,  
170, 170, 170,  
170, 170, 170, 170, 170, 170, 170, 170, 170, 170, 170, 170, 170, 170, 170, 170, 170,  
170, 170, 170,  
170, 170, 34, 34, 34, 34, 34, 34, 154, 0, 0, 160, 0, 0, 0, 0, 0, 0, 0, 0,  
0,  
0,  
0,  
0,  
0, 0, 0, 0, 0, 0, 0, 0, 0, 0, 162, 34, 34, 34, 45, 34, 217, 170, 170, 170,  
170, 170, 170, 170, 170, 170, 170, 170, 170, 170, 170, 170, 170, 170, 170, 170, 170,  
170, 170, 170,  
170, 170, 170, 170, 170, 170, 170, 204, 204, 204, 204, 204, 204, 204, 204, 202, 170,  
170, 170, 170,  
170, 170, 170, 170, 170, 170, 170, 170, 170, 170, 160, 160, 170, 10, 170, 170, 172,  
204, 204, 204,  
204, 204, 204, 204, 201, 170, 170, 170, 170, 163, 204, 204, 204, 204, 204, 204, 204,  
204, 204, 204,  
204, 204, 204, 204, 204, 204, 204, 204, 204, 204, 204, 204, 204, 204, 204, 204,  
26, 170, 170,  
170, 170, 170, 170, 170, 170, 172, 204, 204, 204, 204, 204, 204, 10, 170, 160,  
60, 204, 204,  
204, 204, 204, 204, 195, 204, 204, 204, 204, 204, 204, 204, 201, 170, 170, 169, 204,  
204, 204, 204,  
204, 204, 204, 57, 170, 170, 163, 204, 204, 204, 204, 204, 204, 196, 170, 170,  
170, 170, 170,

170, 170, 170, 170, 170, 170, 170, 170, 170, 170, 170, 170, 170, 170, 160, 170, 10, 170,  
170, 170, 170,  
170, 170, 170, 170, 170, 170, 170, 170, 170, 170, 170, 170, 170, 170, 170, 170, 170, 170,  
170, 170, 170,  
170, 153, 34, 34, 34, 34, 34, 34, 160, 0, 0, 0, 0, 0, 0, 0, 0, 0, 0, 0, 0, 0, 0, 0, 0,  
0,  
0,  
0,  
0,  
0, 0, 0, 0, 0, 0, 0, 0, 0, 170, 45, 45, 45, 34, 210, 34, 42, 170, 170,  
170, 170, 170, 170, 170, 170, 170, 170, 170, 170, 170, 170, 170, 170, 170, 170, 170, 170,  
170, 170, 170,  
170, 170, 170, 170, 170, 170, 170, 204, 204, 204, 204, 204, 204, 204, 204, 195, 10,  
170, 170, 170,  
170, 170, 170, 170, 170, 170, 170, 170, 170, 170, 170, 170, 170, 170, 10, 10, 163,  
204, 204, 204,  
204, 204, 204, 204, 202, 170, 170, 170, 170, 28, 204, 204, 204, 204, 204, 204, 204,  
204, 204, 204,  
204, 204, 204, 204, 204, 204, 204, 204, 204, 204, 204, 204, 204, 204, 204, 204, 204,  
201, 170, 170,  
170, 170, 170, 170, 170, 170, 19, 204, 204, 204, 204, 204, 204, 196, 10, 170, 170,  
156, 204, 204,  
204, 204, 204, 204, 204, 204, 204, 204, 204, 204, 204, 204, 58, 170, 170, 170, 204,  
204, 204, 204,  
204, 204, 204, 201, 170, 170, 164, 204, 204, 204, 204, 204, 204, 204, 196, 170, 170,  
170, 170, 170,  
170, 170, 170, 170, 170, 170, 170, 170, 170, 170, 170, 170, 170, 170, 170, 170, 170,  
170, 170, 170,  
170, 170, 170, 170, 170, 170, 170, 170, 170, 170, 170, 170, 170, 170, 170, 170, 170,  
170, 170, 170,  
169, 34, 34, 34, 34, 34, 34, 0, 0, 0, 0, 0, 0, 0, 0, 0, 0, 0, 0, 0, 0, 0, 0,  
0,  
0, 0,

0,  
0,  
0, 0, 0, 0, 0, 0, 0, 0, 0, 0, 0, 0, 162, 34, 34, 34, 221, 45, 217, 170, 170,  
170,  
170, 170, 170,  
170, 170, 170, 170, 170, 170, 170, 170, 28, 204, 204, 204, 204, 204, 204, 204, 204, 154,  
170, 170, 170,  
170, 170, 170, 170, 170, 170, 170, 170, 170, 170, 170, 170, 170, 170, 170, 170, 170, 172,  
204, 204, 204,  
204, 204, 204, 204, 202, 170, 170, 170, 170, 60, 204, 204, 204, 204, 204, 204, 204, 204,  
204, 204, 204,  
204, 204, 204, 204, 204, 204, 204, 204, 204, 204, 204, 204, 204, 204, 204, 204, 204, 204,  
204, 170, 170,  
170, 170, 170, 170, 170, 170, 28, 204, 204, 204, 204, 204, 204, 193, 10, 170, 170,  
164, 204, 204,  
204, 204, 204, 204, 204, 204, 204, 204, 204, 204, 204, 204, 204, 170, 170, 170, 170, 60,  
204, 204, 204,  
204, 204, 204, 193, 170, 170, 163, 204, 204, 204, 204, 204, 204, 204, 196, 170, 170,  
170, 170, 170,  
170, 170, 170, 170, 170, 170, 170, 170, 170, 170, 170, 170, 170, 170, 170, 170, 170, 170,  
170, 170, 170,  
170, 170, 170, 170, 170, 170, 170, 170, 170, 170, 170, 170, 170, 170, 170, 170, 170, 170,  
170, 170, 170,  
146, 34, 34, 34, 34, 34, 42, 160, 0, 0, 0, 0, 0, 0, 0, 0, 0, 0, 0, 0, 0,  
0,  
0,  
0,  
0,  
0, 0, 0, 0, 0, 0, 0, 0, 0, 0, 0, 0, 160, 45, 45, 45, 34, 210, 45, 42, 170,  
170, 170, 170, 170, 170, 170, 170, 170, 170, 170, 170, 170, 170, 170, 170, 170, 170, 170, 170,  
170, 170, 170,  
170, 170, 170, 170, 170, 170, 170, 147, 204, 204, 204, 204, 204, 204, 204, 204, 204, 202,  
170, 170, 170,



170, 170, 170, 170, 170, 170, 60, 204, 204, 204, 204, 204, 204, 202, 170, 170, 170,  
170, 28, 204,  
204, 204, 204, 204, 204, 204, 204, 204, 204, 204, 204, 204, 202, 170, 170, 170, 170, 28,  
204, 204, 204,  
204, 204, 204, 195, 170, 170, 163, 204, 204, 204, 204, 204, 204, 204, 196, 170, 170,  
170, 170, 170,  
170, 170, 170, 170, 170, 170, 170, 170, 170, 170, 170, 170, 170, 170, 170, 170, 170,  
170, 170, 170,  
170, 170, 170, 170, 170, 170, 170, 170, 170, 170, 170, 170, 170, 170, 170, 170, 170,  
170, 170, 169,  
34, 34, 34, 34, 34, 42, 170, 0, 0, 0, 0, 0, 0, 0, 0, 0, 0, 0, 0, 0, 0, 0,  
0, 0, 0, 0, 0, 0, 0, 0, 0, 0, 0, 0, 0, 0, 0, 0, 0, 0, 0,  
0, 0, 0, 0, 0, 0, 0, 0, 0, 0, 0, 0, 0, 0, 0, 0, 0, 0, 0,  
0, 0, 0, 0, 0, 0, 0, 0, 0, 0, 0, 0, 0, 0, 0, 0, 0, 0, 0,  
0, 0, 0, 0, 0, 0, 0, 0, 0, 0, 0, 0, 0, 0, 0, 0, 0, 0, 0,  
0, 0, 0, 0, 0, 0, 0, 0, 0, 0, 0, 0, 160, 34, 210, 45, 210, 221, 34, 42,  
170, 170, 170, 170, 170, 170, 170, 170, 170, 170, 170, 170, 170, 170, 170, 170, 170, 170,  
170, 170, 170,  
170, 170, 170, 170, 170, 170, 170, 169, 60, 204, 204, 204, 204, 204, 204, 204, 204,  
57, 170, 170,  
170, 170, 170, 170, 170, 170, 170, 170, 170, 170, 170, 170, 170, 170, 170, 170, 163,  
204, 204, 204,  
204, 204, 204, 204, 202, 170, 170, 170, 76, 204, 204, 204, 204, 204, 204, 204, 204,  
204, 204, 204,  
204, 204, 204, 204, 204, 204, 204, 204, 204, 204, 204, 204, 204, 204, 204, 204,  
204, 195, 170,  
170, 170, 170, 170, 170, 169, 60, 204, 204, 204, 204, 204, 204, 58, 170, 170, 170,  
170, 163, 204,  
204, 204, 204, 204, 204, 204, 204, 204, 204, 204, 204, 154, 170, 170, 170, 170, 156,  
204, 204, 204,  
204, 204, 204, 204, 170, 170, 164, 204, 204, 204, 204, 204, 204, 204, 196, 170, 170,  
170, 170, 170,

170, 170, 170, 170, 170, 170, 170, 170, 170, 170, 170, 170, 170, 170, 170, 170, 170, 170, 170,  
170, 170, 170,  
170, 170, 170, 170, 170, 170, 170, 170, 170, 170, 170, 170, 170, 170, 170, 170, 170, 170, 170,  
170, 169, 34,  
34, 34, 34, 34, 34, 170, 160, 0, 0, 0, 0, 0, 0, 0, 0, 0, 0, 0, 0, 0, 0, 0, 0,  
0,  
0,  
0,  
0,  
0, 0, 0, 0, 0, 0, 0, 0, 0, 0, 0, 0, 162, 45, 34, 45, 34, 45, 73,  
170, 170, 170, 170, 170, 170, 170, 170, 170, 170, 170, 170, 170, 170, 170, 170, 170, 170, 170,  
170, 170, 170,  
170, 170, 170, 170, 170, 170, 170, 160, 76, 204, 204, 204, 204, 204, 204, 204, 204,  
195, 170, 170,  
170, 170, 170, 170, 170, 170, 170, 170, 170, 170, 170, 170, 170, 170, 170, 170, 170, 172,  
204, 204, 204,  
204, 204, 204, 204, 201, 170, 170, 161, 204, 204, 204, 204, 204, 204, 204, 204, 204,  
204, 204, 204,  
204, 204, 204, 204, 204, 204, 204, 204, 204, 204, 204, 204, 204, 204, 204, 204, 204,  
204, 204, 26,  
170, 170, 170, 170, 170, 161, 204, 204, 204, 204, 204, 204, 204, 74, 170, 170, 170,  
170, 169, 204,  
204, 204, 204, 204, 204, 204, 204, 204, 204, 204, 195, 170, 170, 170, 170, 170, 156,  
204, 204, 204,  
204, 204, 204, 204, 154, 170, 163, 204, 204, 204, 204, 204, 204, 204, 196, 170, 170,  
170, 170, 170,  
170, 170, 170, 170, 170, 170, 170, 170, 170, 170, 170, 170, 170, 170, 170, 170, 170, 170,  
170, 170, 170,  
170, 170, 170, 170, 170, 170, 170, 170, 170, 170, 170, 170, 170, 170, 170, 170, 170,  
170, 169, 34,  
34, 34, 34, 34, 42, 170, 0, 0, 0, 0, 0, 0, 0, 0, 0, 0, 0, 0, 0, 0, 0, 0,  
0,  
0, 0, 0, 0, 0, 0, 0, 0, 0, 0, 0, 0, 0, 0, 0, 0, 0, 0, 0, 0,





170, 170, 170, 170, 170, 170, 170, 170, 170, 170, 170, 170, 170, 170, 170, 170, 170, 163,  
204, 204, 204,  
204, 204, 204, 204, 202, 170, 170, 28, 204, 204, 204, 204, 204, 204, 204, 204, 204,  
204, 204, 204,  
204, 204, 204, 204, 204, 204, 204, 204, 204, 204, 204, 204, 204, 204, 204, 204, 204,  
204, 204, 196,  
170, 170, 170, 170, 170, 163, 204, 204, 204, 204, 204, 204, 204, 154, 170, 170, 170,  
170, 170, 172,  
204, 204, 204, 204, 204, 204, 204, 204, 204, 204, 74, 170, 170, 170, 170, 170, 164,  
204, 204, 204,  
204, 204, 204, 204, 58, 170, 163, 204, 204, 204, 204, 204, 204, 204, 196, 170, 170,  
170, 170, 170,  
170, 170, 170, 170, 170, 170, 170, 170, 170, 170, 170, 170, 170, 170, 170, 170, 170,  
170, 170, 170,  
170, 170, 170, 170, 170, 170, 170, 170, 170, 170, 170, 170, 170, 170, 170, 170, 170,  
164, 34, 34,  
34, 34, 34, 153, 10, 0, 0, 0, 0, 0, 0, 0, 0, 0, 0, 0, 0, 0, 0,  
0, 0, 0, 0, 0, 0, 0, 0, 0, 0, 0, 0, 0, 0, 0, 0, 0,  
0, 0, 0, 0, 0, 0, 0, 0, 0, 0, 0, 0, 0, 0, 0, 0, 0,  
0, 0, 0, 0, 0, 0, 0, 0, 0, 0, 0, 0, 0, 0, 0, 0, 0,  
0, 0, 0, 0, 0, 0, 0, 0, 0, 0, 0, 0, 0, 0, 0, 0, 0,  
0, 0, 0, 0, 0, 0, 0, 0, 0, 0, 0, 0, 0, 0, 0, 0, 0,  
210, 154, 170, 170, 170, 170, 170, 170, 170, 170, 170, 170, 170, 170, 170, 170, 170, 170,  
170, 170, 170,  
170, 170, 170, 170, 170, 170, 170, 170, 170, 76, 204, 204, 204, 204, 204, 204, 204,  
204, 204, 195,  
154, 170, 170, 170, 170, 170, 170, 170, 170, 170, 170, 170, 170, 170, 170, 60,  
204, 204, 204,  
204, 204, 204, 204, 201, 170, 170, 204, 204, 204, 204, 204, 204, 204, 204, 193, 145,  
145, 145, 145,  
145, 145, 145, 145, 145, 145, 145, 145, 145, 145, 153, 28, 204, 204, 204, 204, 204,  
204, 204, 204,

16, 170, 170, 170, 170, 163, 204, 204, 204, 204, 204, 204, 204, 170, 170, 170, 170,  
170, 170, 161,  
204, 204, 204, 204, 204, 204, 204, 204, 204, 204, 204, 170, 170, 170, 170, 170, 170, 161,  
204, 204, 204,  
204, 204, 204, 204, 202, 170, 164, 204, 204, 204, 204, 204, 204, 204, 196, 170, 170,  
170, 170, 170,  
170, 170, 170, 170, 170, 170, 170, 170, 170, 170, 170, 170, 170, 170, 170, 170, 170,  
170, 170, 170,  
170, 170, 170, 170, 170, 170, 170, 170, 170, 170, 170, 170, 170, 170, 170, 170, 170,  
34, 34, 34,  
34, 34, 34, 170, 0, 0, 0, 0, 0, 0, 0, 0, 0, 0, 0, 0, 0, 0, 0, 0, 0,  
0, 0, 0, 0, 0, 0, 0, 0, 0, 0, 0, 0, 0, 0, 0, 0, 0, 0, 0,  
0, 0, 0, 0, 0, 0, 0, 0, 0, 0, 0, 0, 0, 0, 0, 0, 0, 0, 0,  
0, 0, 0, 0, 0, 0, 0, 0, 0, 0, 0, 0, 0, 0, 0, 0, 0, 0, 0,  
0, 0, 0, 0, 0, 0, 0, 0, 0, 0, 0, 0, 0, 0, 0, 0, 0, 0, 0,  
0, 0, 0, 0, 0, 0, 0, 0, 0, 0, 0, 0, 0, 0, 0, 162, 210, 34, 34, 45,  
45, 73, 170, 170, 170, 170, 170, 170, 170, 170, 170, 170, 170, 170, 170, 170, 170, 170,  
170, 170, 170,  
170, 170, 170, 170, 170, 170, 170, 170, 170, 163, 204, 204, 204, 204, 204, 204, 204,  
204, 204, 204,  
195, 154, 170, 170, 170, 170, 170, 170, 170, 170, 170, 170, 170, 170, 169, 76, 204,  
204, 204, 204,  
204, 204, 204, 204, 202, 170, 163, 204, 204, 204, 204, 204, 204, 204, 204, 58, 170,  
170, 160, 160,  
160, 160, 160, 160, 160, 160, 160, 160, 160, 160, 170, 163, 204, 204, 204, 204, 204,  
204, 204, 204,  
58, 170, 170, 170, 170, 156, 204, 204, 204, 204, 204, 204, 204, 170, 170, 170, 170,  
170, 170, 170,  
60, 204, 204, 204, 204, 204, 204, 204, 204, 193, 170, 170, 170, 170, 170, 170, 161,  
204, 204, 204,  
204, 204, 204, 204, 201, 170, 163, 204, 204, 204, 204, 204, 204, 204, 196, 170, 170,  
170, 170, 170,

170, 170, 170, 170, 170, 170, 170, 170, 170, 170, 170, 170, 170, 170, 170, 170, 170, 170, 170,  
170, 170, 170,

170, 170, 170, 170, 170, 170, 170, 170, 170, 170, 170, 170, 170, 170, 170, 170, 170, 169,  
34, 34, 34,

34, 34, 42, 170, 0, 0, 0, 0, 0, 0, 0, 0, 0, 0, 0, 0, 0, 0, 0, 0,  
0, 0, 0, 0, 0, 0, 0, 0, 0, 0, 0, 0, 0, 0, 0, 0, 0, 0,  
0, 0, 0, 0, 0, 0, 0, 0, 0, 0, 0, 0, 0, 0, 0, 0, 0, 0,  
0, 0, 0, 0, 0, 0, 0, 0, 0, 0, 0, 0, 0, 0, 0, 0, 0, 0,  
0, 0, 0, 0, 0, 0, 0, 0, 0, 0, 0, 0, 0, 0, 0, 0, 0, 0,  
0, 0, 0, 0, 0, 0, 0, 0, 0, 0, 0, 0, 0, 0, 0, 34, 221, 45, 210,

221, 34, 154, 170, 170, 170, 170, 170, 170, 170, 170, 170, 170, 170, 170, 170, 170, 170, 170,  
170, 170, 170,

170, 170, 170, 170, 170, 170, 170, 170, 170, 170, 170, 60, 204, 204, 204, 204, 204, 204,  
204, 204, 204,

204, 196, 26, 170, 170, 170, 170, 170, 170, 170, 170, 170, 170, 170, 145, 60, 204, 204,  
204, 204, 204,

204, 204, 204, 204, 202, 170, 28, 204, 204, 204, 204, 204, 204, 204, 204, 154, 170,  
170, 170, 170,

170, 170, 170, 170, 170, 170, 170, 170, 170, 170, 170, 170, 169, 204, 204, 204, 204, 204,  
204, 204, 204,

193, 170, 170, 170, 170, 28, 204, 204, 204, 204, 204, 204, 196, 170, 170, 170, 170,  
170, 170, 170,

156, 204, 204, 204, 204, 204, 204, 204, 204, 192, 170, 170, 170, 170, 170, 170, 169,  
204, 204, 204,

204, 204, 204, 204, 193, 170, 164, 204, 204, 204, 204, 204, 204, 195, 170, 165,  
170, 154, 165,

170, 170, 170, 170, 170, 170, 170, 170, 170, 170, 170, 170, 170, 170, 170, 170, 170,  
170, 170, 170,

170, 170, 170, 170, 170, 170, 170, 170, 170, 170, 170, 170, 170, 170, 170, 34,  
34, 34, 34,

34, 34, 170, 160, 0, 0, 0, 0, 0, 0, 0, 0, 0, 0, 0, 0, 0, 0,  
0, 0, 0, 0, 0, 0, 0, 0, 0, 0, 0, 0, 0, 0, 0, 0, 0, 0,  
0, 0, 0, 0, 0, 0, 0, 0, 0, 0, 0, 0, 0, 0, 0, 0, 0, 0,

0,  
0,  
0, 0, 0, 0, 0, 0, 0, 0, 0, 0, 0, 0, 0, 0, 0, 0, 162, 45, 34, 221,  
34, 210, 74, 170, 170, 170, 170, 170, 170, 170, 170, 170, 170, 170, 170, 170, 170, 170,  
170, 170, 170,  
170, 170, 170, 170, 170, 170, 170, 170, 170, 170, 170, 147, 204, 204, 204, 204, 204, 204,  
204, 204, 204,  
204, 204, 204, 65, 154, 170, 170, 170, 170, 170, 170, 145, 67, 204, 204, 204, 204,  
204, 204, 204,  
204, 204, 204, 204, 201, 170, 60, 204, 204, 204, 204, 204, 204, 204, 196, 170, 170,  
170, 170, 170,  
170, 170, 170, 170, 170, 170, 170, 170, 170, 170, 170, 170, 76, 204, 204, 204, 204,  
204, 204, 204,  
204, 144, 170, 170, 170, 76, 204, 204, 204, 204, 204, 204, 193, 170, 170, 170, 170,  
170, 170, 170,  
164, 204, 204, 204, 204, 204, 204, 204, 204, 154, 170, 170, 170, 170, 170, 170, 170,  
60, 204, 204,  
204, 204, 204, 204, 196, 170, 163, 204, 204, 204, 204, 204, 204, 204, 204, 51, 52,  
51, 51, 52,  
51, 51, 51, 51, 51, 51, 51, 51, 51, 51, 51, 51, 51, 170, 170, 170, 170, 170, 170, 170, 170,  
170, 170, 170, 170, 170, 170, 170, 170, 170, 170, 170, 170, 170, 170, 170, 170, 169, 34,  
34, 34, 34,  
34, 42, 170, 0, 0, 0, 0, 0, 0, 0, 0, 0, 0, 0, 0, 0, 0, 0, 0, 0, 0,  
0,  
0,  
0,  
0,  
0, 0, 0, 0, 0, 0, 0, 0, 0, 0, 0, 0, 0, 0, 0, 0, 160, 34, 221, 34,  
221, 45, 34, 170, 170, 170, 170, 170, 170, 170, 170, 170, 170, 170, 170, 170, 170, 170,  
170, 170, 170,  
170, 170, 170, 170, 170, 170, 170, 170, 170, 170, 9, 60, 204, 204, 204, 204, 204,  
204, 204, 204,

204, 204, 204, 204, 51, 52, 20, 17, 17, 68, 51, 60, 204, 204, 204, 204, 204, 204, 204,  
204,

204, 204, 204, 204, 202, 161, 204, 204, 204, 204, 204, 204, 204, 204, 201, 170, 170,  
170, 170, 170,

170, 170, 170, 170, 170, 170, 170, 170, 170, 170, 170, 170, 163, 204, 204, 204, 204,  
204, 204, 204,

204, 48, 170, 170, 170, 60, 204, 204, 204, 204, 204, 204, 193, 170, 170, 170, 170,  
170, 170, 170,

165, 60, 204, 204, 204, 204, 204, 204, 196, 170, 170, 170, 170, 170, 170, 170, 170,  
60, 204, 204,

204, 204, 204, 204, 204, 170, 164, 204, 204, 204, 204, 204, 204, 204, 204, 204, 204,  
204, 204, 204,

204, 204, 204, 204, 204, 204, 204, 204, 204, 204, 204, 196, 170, 170, 170, 170, 170,  
170, 170, 170,

170, 170, 170, 170, 170, 170, 170, 170, 170, 170, 170, 170, 170, 170, 170, 146, 34,  
34, 34, 34,

34, 10, 160, 0, 0, 0, 0, 0, 0, 0, 0, 0, 0, 0, 0, 0, 0, 0, 0,

0, 0, 0, 0, 0, 0, 0, 0, 0, 0, 0, 0, 0, 0, 0, 0, 0, 0,

0, 0, 0, 0, 0, 0, 0, 0, 0, 0, 0, 0, 0, 0, 0, 0, 0, 0,

0, 0, 0, 0, 0, 0, 0, 0, 0, 0, 0, 0, 0, 0, 0, 0, 0, 0,

0, 0, 0, 0, 0, 0, 0, 0, 0, 0, 0, 0, 0, 0, 0, 0, 0, 0,

0, 0, 0, 0, 0, 0, 0, 0, 0, 0, 0, 0, 0, 0, 0, 0, 162, 210, 221,

34, 221, 210, 74, 170, 170, 170, 170, 170, 170, 170, 170, 170, 170, 170, 170, 170,  
170, 170, 170,

170, 170, 170, 170, 170, 170, 170, 170, 170, 170, 170, 172, 204, 204, 204, 204, 204,  
204, 204, 204,

204, 204, 204, 204, 204, 204, 204, 204, 204, 204, 204, 204, 204, 204, 204, 204, 204,  
204, 204, 204,

204, 204, 204, 204, 202, 156, 204, 204, 204, 204, 204, 204, 204, 74, 170, 170,  
170, 170, 170,

170, 170, 170, 170, 170, 170, 170, 170, 170, 170, 170, 170, 161, 204, 204, 204, 204,  
204, 204, 204,

204, 193, 160, 170, 170, 204, 204, 204, 204, 204, 204, 204, 201, 10, 170, 170, 170,  
170, 170, 170,  
170, 28, 204, 204, 204, 204, 204, 204, 202, 170, 170, 170, 170, 170, 170, 170, 170,  
76, 204, 204,  
204, 204, 204, 204, 204, 154, 163, 204, 204, 204, 204, 204, 204, 204, 204, 204, 204,  
204, 204, 204,  
204, 204, 204, 204, 204, 204, 204, 204, 204, 204, 204, 193, 170, 170, 170, 170, 170,  
170, 170, 170,  
170, 170, 170, 170, 170, 170, 170, 170, 170, 170, 170, 170, 170, 170, 169, 34, 34,  
34, 34, 34,  
42, 170, 160, 0, 0, 0, 0, 0, 0, 0, 0, 0, 0, 0, 0, 0, 0, 0, 0, 0,  
0, 0, 0, 0, 0, 0, 0, 0, 0, 0, 0, 0, 0, 0, 0, 0, 0, 0, 0,  
0, 0, 0, 0, 0, 0, 0, 0, 0, 0, 0, 0, 0, 0, 0, 0, 0, 0, 0,  
0, 0, 0, 0, 0, 0, 0, 0, 0, 0, 0, 0, 0, 0, 0, 0, 0, 0, 0,  
0, 0, 0, 0, 0, 0, 0, 0, 0, 0, 0, 0, 0, 0, 0, 0, 0, 0, 0,  
0, 0, 0, 0, 0, 0, 0, 0, 0, 0, 0, 0, 0, 0, 0, 0, 0, 0, 0,  
221, 34, 221, 34, 170, 170, 170, 170, 170, 170, 170, 170, 170, 170, 170, 170, 170, 170,  
170, 170, 170,  
170, 170, 170, 170, 170, 170, 170, 170, 170, 170, 160, 170, 60, 204, 204, 204, 204,  
204, 204, 204,  
204, 204, 204, 204, 204, 204, 204, 204, 204, 204, 204, 204, 204, 204, 204, 204, 204,  
204, 204, 204,  
204, 204, 204, 204, 201, 28, 204, 204, 204, 204, 204, 204, 204, 204, 170, 170, 170,  
170, 170, 170,  
170, 170, 170, 170, 170, 170, 170, 170, 170, 170, 170, 170, 60, 204, 204, 204,  
204, 204, 204,  
204, 204, 154, 170, 169, 204, 204, 204, 204, 204, 204, 204, 202, 170, 170, 170, 170,  
170, 170, 170,  
170, 163, 204, 204, 204, 204, 204, 204, 26, 170, 170, 170, 170, 170, 170, 170, 170,  
28, 204, 204,  
204, 204, 204, 204, 204, 26, 164, 204, 204, 204, 204, 204, 204, 204, 204, 204, 204,  
204, 204, 204,

204, 204, 204, 204, 204, 204, 204, 204, 204, 204, 204, 204, 58, 170, 170, 170, 170, 170,  
170, 170, 170,  
170, 170, 170, 170, 170, 170, 170, 170, 170, 170, 170, 170, 170, 170, 170, 146, 34, 34,  
34, 34, 34,  
10, 160,  
0,  
0,  
0,  
0,  
0, 0, 0, 0, 0, 0, 0, 0, 0, 0, 0, 0, 0, 0, 0, 0, 0, 0, 162, 210,  
45, 221, 45, 210, 154, 170, 170, 170, 170, 170, 170, 170, 170, 170, 170, 170, 170, 170,  
170, 170, 170,  
170, 170, 170, 170, 170, 170, 170, 170, 170, 170, 170, 170, 163, 204, 204, 204, 204,  
204, 204, 204,  
204, 204, 204, 204, 204, 204, 204, 204, 204, 204, 204, 204, 204, 204, 204, 204, 204,  
204, 204, 204,  
204, 204, 204, 204, 57, 204, 204, 204, 204, 204, 204, 204, 204, 196, 170, 170, 170,  
170, 170, 170,  
170, 170, 170, 170, 170, 170, 170, 170, 170, 170, 170, 170, 170, 28, 204, 204, 204,  
204, 204, 204,  
204, 204, 74, 170, 161, 204, 204, 204, 204, 204, 204, 204, 58, 170, 170, 170, 170,  
170, 170, 170,  
170, 161, 204, 204, 204, 204, 204, 195, 170, 170, 170, 170, 170, 170, 170, 170, 170,  
156, 204, 204,  
204, 204, 204, 204, 204, 74, 163, 204, 204, 204, 204, 204, 204, 204, 204, 204, 204,  
204, 204, 204,  
204, 204, 204, 204, 204, 204, 204, 204, 204, 204, 74, 170, 170, 170, 170, 170,  
170, 170, 170,  
170, 170, 170, 170, 170, 170, 170, 170, 170, 170, 170, 170, 170, 34, 34, 34, 34,  
34, 42,  
170,  
0,  
0, 0, 0, 0, 0, 0, 0, 0, 0, 0, 0, 0, 0, 0, 0, 0, 0, 0, 0, 0,







204, 204, 204, 74, 172, 204, 204, 204, 204, 204, 204, 204, 26, 170, 170, 170, 170,  
170, 170, 170,  
170, 170, 161, 204, 204, 204, 204, 154, 10, 170, 170, 170, 170, 170, 170, 170, 170,  
163, 204, 204,  
204, 204, 204, 204, 204, 193, 164, 204, 204, 204, 204, 204, 204, 204, 204, 204,  
204, 204, 204,  
204, 204, 204, 204, 204, 204, 204, 204, 204, 204, 193, 160, 170, 170, 170, 170, 170,  
170, 170, 170,  
170, 170, 170, 170, 170, 170, 170, 170, 170, 170, 170, 170, 146, 34, 34, 34, 34,  
154, 0,  
0, 0, 0, 0, 0, 0, 0, 0, 0, 0, 0, 0, 0, 0, 0, 0, 0, 0, 0,  
0, 0, 0, 0, 0, 0, 0, 0, 0, 0, 0, 0, 0, 0, 0, 0, 0, 0, 0,  
0, 0, 0, 0, 0, 0, 0, 0, 0, 0, 0, 0, 0, 0, 0, 0, 0, 0, 0,  
0, 0, 0, 0, 0, 0, 0, 0, 0, 0, 0, 0, 0, 0, 0, 0, 0, 0, 0,  
0, 0, 0, 0, 0, 0, 0, 0, 0, 0, 0, 0, 0, 0, 0, 0, 0, 0, 0,  
0, 0, 0, 0, 0, 0, 0, 0, 0, 0, 0, 0, 0, 0, 0, 0, 0, 0, 0,  
162, 221, 45, 45, 210, 210, 154, 170, 170, 170, 170, 170, 170, 170, 170, 170, 170,  
170, 170, 170,  
170, 170, 170, 170, 170, 170, 170, 170, 170, 170, 170, 170, 170, 170, 170, 148, 204,  
204, 204, 204,  
204, 204, 204, 204, 204, 204, 204, 204, 204, 204, 204, 204, 204, 204, 204, 204,  
204, 204, 204,  
195, 154, 170, 163, 204, 204, 204, 204, 204, 204, 204, 204, 201, 170, 170, 170, 170,  
170, 170, 170,  
170, 170, 170, 170, 170, 170, 170, 170, 170, 170, 170, 170, 170, 170, 172, 204, 204,  
204, 204, 204,  
204, 204, 204, 202, 28, 204, 204, 204, 204, 204, 204, 204, 154, 170, 170, 170, 170,  
170, 170, 170,  
170, 170, 170, 60, 204, 204, 196, 170, 170, 170, 170, 170, 170, 170, 170, 170, 170,  
161, 204, 204,  
204, 204, 204, 204, 204, 193, 163, 204, 204, 204, 204, 204, 204, 204, 204, 204, 204,  
204, 204, 204,

204, 204, 204, 204, 204, 204, 204, 204, 204, 204, 204, 192, 170, 170, 170, 170, 170, 170,  
170, 170, 170,  
170, 170, 170, 170, 170, 170, 170, 170, 170, 170, 170, 170, 170, 34, 34, 34, 34, 34, 34,  
160, 0,  
0,  
0,  
0,  
0,  
0,  
0,  
170, 45, 221, 210, 221, 45, 217, 170, 170, 170, 170, 170, 170, 170, 170, 170, 170,  
170, 170, 170,  
170, 170, 170, 170, 170, 170, 170, 170, 170, 170, 170, 170, 170, 170, 170, 10, 164,  
204, 204, 204,  
204, 204, 204, 204, 204, 204, 204, 204, 204, 204, 204, 204, 204, 204, 204, 204, 204, 204,  
204, 204, 196,  
154, 170, 170, 28, 204, 204, 204, 204, 204, 204, 204, 204, 74, 170, 170, 170, 170,  
170, 170, 170,  
170, 170, 170, 170, 170, 170, 170, 170, 170, 170, 170, 170, 170, 170, 164, 204, 204,  
204, 204, 204,  
204, 204, 204, 195, 76, 204, 204, 204, 204, 204, 204, 195, 170, 170, 170, 170, 170,  
170, 170, 170,  
170, 170, 170, 156, 204, 204, 202, 170, 170, 170, 170, 170, 170, 170, 170, 170, 170,  
161, 204, 204,  
204, 204, 204, 204, 204, 196, 164, 204, 204, 204, 204, 204, 204, 204, 204, 204, 204,  
204, 204, 204,  
204, 204, 204, 204, 204, 204, 204, 204, 204, 204, 74, 170, 170, 170, 170, 170, 170,  
170, 170, 170,  
170, 170, 170, 170, 170, 170, 170, 170, 170, 170, 170, 162, 34, 34, 34, 34, 34, 154,  
0, 0,  
0,  
0,  
0, 0, 0, 0, 0, 0, 0, 0, 0, 0, 0, 0, 0, 0, 0, 0, 0, 0, 0, 0,







0,  
0,  
0,  
0,  
0,  
0,  
0, 0, 10, 45, 210, 210, 221, 221, 221, 217, 170, 170, 170, 170, 170, 170, 170, 170,  
170, 170,  
170, 170, 170, 170, 170, 170, 170, 170, 170, 170, 170, 170, 170, 170, 170, 170, 160,  
170, 170, 170,  
170, 170, 10, 170, 154, 153, 153, 17, 153, 153, 154, 154, 170, 170, 170, 170, 170,  
170, 170, 170,  
170, 170, 170, 170, 170, 170, 170, 10, 170, 153, 153, 170, 170, 170, 170, 170, 170,  
170, 170, 170,  
170, 170, 170, 170, 170, 170, 170, 170, 170, 170, 170, 170, 170, 170, 170, 89,  
169, 170, 170,  
170, 170, 170, 170, 170, 170, 10, 170, 170, 154, 153, 154, 170, 170, 170, 170, 170,  
170, 170, 170,  
170, 170, 170, 170, 169, 170, 170, 170, 170, 170, 170, 170, 170, 170, 170, 170, 170,  
170, 153, 153,  
170, 154, 170, 170, 170, 170, 170, 170, 170, 170, 170, 170, 170, 170, 170, 170, 170,  
170, 170, 170,  
170, 170, 170, 170, 170, 170, 170, 170, 170, 170, 170, 170, 170, 170, 170, 170,  
170, 170, 170,  
170, 170, 170, 170, 170, 170, 170, 170, 153, 34, 34, 34, 34, 34, 34, 170, 0, 0, 0, 0,  
0,  
0,  
0,  
0,  
0,  
0,  
0, 0, 0, 161, 45, 45, 45, 210, 221, 221, 41, 170, 170, 170, 170, 170, 170, 170, 170,  
170,









170, 170, 170, 170, 170, 170, 170, 170, 170, 169, 170, 170, 170, 170, 170, 169, 170, 170,  
170, 169, 170,

170, 170, 170, 170, 169, 170, 170, 170, 170, 170, 154, 170, 170, 170, 170, 170, 170,  
170, 170, 170,

170, 170, 170, 170, 170, 170, 170, 170, 170, 170, 170, 170, 170, 170, 170, 170,  
170, 170, 170,

170, 170, 170, 170, 170, 170, 170, 170, 154, 170, 170, 170, 170, 170, 170, 170,  
170, 170, 170,

170, 170, 170, 170, 170, 170, 169, 170, 170, 170, 170, 154, 170, 170, 170, 170,  
170, 170, 170,

170, 170, 170, 170, 170, 170, 170, 170, 170, 170, 170, 170, 170, 170, 170, 170,  
170, 170, 170,

170, 170, 170, 170, 170, 170, 170, 170, 170, 154, 170, 170, 154, 170, 169, 170, 170,  
170, 169, 169,

169, 153, 153, 34, 34, 34, 34, 34, 34, 34, 34, 34, 154, 0, 0, 0, 0, 0, 0,

0, 0, 0, 0, 0, 0, 0, 0, 0, 0, 0, 0, 0, 0, 0, 0, 0, 0,

0, 0, 0, 0, 0, 0, 0, 0, 0, 0, 0, 0, 0, 0, 0, 0, 0, 0,

0, 0, 0, 0, 0, 0, 0, 0, 0, 0, 0, 0, 0, 0, 0, 0, 0, 0,

0, 0, 0, 0, 0, 0, 0, 0, 0, 0, 0, 0, 0, 0, 0, 0, 0, 0,

0, 0, 0, 0, 0, 0, 0, 0, 0, 0, 0, 0, 0, 0, 0, 0, 0, 0,

0, 0, 0, 0, 0, 0, 0, 0, 0, 0, 0, 0, 0, 0, 0, 0, 0, 0,

0, 0, 0, 0, 0, 10, 162, 221, 210, 221, 221, 221, 221, 221, 221, 221, 221, 212, 212,

212,

212, 212, 212, 212, 212, 212, 212, 212, 212, 212, 212, 212, 212, 212, 132, 212, 132,  
132, 212, 132,

212, 132, 132, 132, 132, 136, 72, 72, 68, 72, 72, 72, 72, 68, 132, 142, 78, 68, 72,

228, 232, 78, 142, 68, 142, 78, 228, 238, 228, 78, 78, 238, 62, 238, 62, 227, 228,

227, 238,

62, 238, 62, 238, 62, 238, 62, 238, 62, 227, 131, 142, 228, 238, 78, 228, 238, 78, 78,

228,

238, 78, 132, 228, 228, 132, 228, 132, 68, 132, 132, 132, 132, 136, 72, 72, 72,

72, 72,

68, 132, 212, 132, 212, 132, 212, 77, 72, 77, 132, 212, 212, 77, 77, 77, 77, 77, 77,  
77,  
77, 77, 77, 77, 77, 77, 212, 212, 212, 221, 77, 77, 77, 212, 212, 36, 221, 77, 66, 77,  
66, 66, 73, 210, 66, 157, 41, 221, 33, 41, 210, 36, 146, 34, 146, 36, 41, 34, 146, 146,  
41, 34, 34, 34, 34, 34, 34, 34, 34, 34, 34, 42, 160, 0, 0, 0, 0, 0, 0, 0,  
0,  
0,  
0,  
0,  
0,  
0, 0, 0, 0, 0, 0, 170, 164, 221, 221, 221, 221, 221, 221, 221, 221, 221, 221, 221,  
221, 221, 141, 221, 141, 141, 141, 141, 136, 216, 141, 136, 136, 136, 216, 136, 141,  
136, 136, 136,  
136, 136, 136, 136, 136, 136, 142, 136, 136, 136, 232, 232, 232, 238, 232, 238, 232,  
232, 238, 238,  
142, 238, 238, 232, 238, 238, 238, 238, 238, 238, 238, 238, 238, 238, 238, 238, 238,  
238, 238, 238,  
238, 238, 238, 238, 238, 238, 238, 238, 238, 238, 238, 238, 238, 238, 238, 238,  
238, 238, 142,  
232, 232, 238, 238, 142, 238, 142, 238, 238, 142, 142, 142, 142, 136, 136, 136, 136,  
136, 136, 136,  
136, 136, 136, 136, 136, 136, 141, 136, 141, 136, 216, 141, 141, 141, 216, 216, 216,  
221, 221, 221,  
221, 221, 221, 221, 221, 221, 221, 221, 221, 221, 45, 45, 45, 210, 210, 210, 210, 34,  
45, 34,  
45, 45, 45, 45, 34, 210, 210, 34, 34, 34, 34, 34, 34, 45, 34, 34, 34, 34, 34, 34,  
34, 34, 34, 34, 34, 34, 34, 34, 34, 34, 146, 10, 160, 0, 0, 0, 0, 0, 0,  
0,  
0,  
0,  
0,  
0, 0, 0, 0, 0, 0, 0, 0, 0, 0, 0, 0, 0, 0, 0, 0, 0, 0, 0, 0,

0,  
0, 0, 0, 0, 0, 0, 10, 0, 45, 221, 221, 221, 221, 221, 221, 221, 141, 221, 221, 221,  
221, 141, 221, 141, 221, 216, 221, 216, 221, 141, 136, 216, 216, 216, 141, 141, 136,  
141, 136, 141,  
136, 136, 136, 136, 136, 136, 136, 142, 142, 142, 136, 142, 142, 136, 238, 136, 238,  
238, 232, 238,  
238, 136, 232, 238, 238, 238, 238, 238, 238, 238, 238, 238, 238, 238, 238, 238, 238,  
238, 206, 238,  
238, 236, 238, 238, 238, 238, 238, 238, 238, 238, 238, 238, 238, 238, 238, 238,  
232, 238, 238,  
238, 238, 238, 142, 238, 136, 232, 136, 136, 136, 136, 232, 136, 232, 232, 232, 232,  
136, 136, 136,  
136, 136, 141, 141, 136, 141, 136, 216, 216, 216, 141, 136, 216, 216, 141, 141, 141,  
216, 216, 141,  
141, 141, 141, 141, 141, 221, 221, 221, 221, 221, 221, 221, 221, 221, 221, 221, 45,  
221, 210, 221,  
210, 34, 210, 34, 45, 34, 45, 45, 34, 34, 34, 34, 34, 34, 34, 34, 34, 34, 34, 34, 34,  
34, 34, 34, 34, 34, 34, 34, 34, 34, 34, 170, 160, 0, 0, 0, 0, 0, 0, 0, 0,  
0,  
0,  
0,  
0,  
0,  
0,  
0, 0, 0, 0, 0, 0, 0, 10, 212, 221, 221, 221, 221, 221, 221, 221, 141, 141, 141,  
141, 221, 141, 216, 221, 141, 136, 141, 136, 216, 216, 141, 141, 141, 136, 136, 136,  
136, 141, 136,  
136, 136, 136, 136, 136, 142, 136, 136, 136, 136, 232, 232, 136, 232, 136, 232, 136,  
142, 142, 142,  
142, 238, 238, 142, 142, 238, 238, 238, 238, 238, 238, 238, 238, 238, 238, 238, 236,  
238, 238, 206,  
206, 238, 238, 236, 238, 236, 238, 236, 238, 238, 238, 238, 238, 238, 238, 238, 238,  
142, 232, 232,

232, 238, 136, 238, 142, 142, 142, 238, 238, 142, 142, 136, 232, 136, 136, 136, 136,  
136, 136, 136,  
136, 136, 136, 136, 136, 136, 216, 136, 136, 141, 136, 221, 141, 141, 216, 216, 216,  
221, 141, 216,  
216, 221, 221, 221, 221, 221, 221, 221, 221, 221, 221, 221, 221, 45, 210, 210, 221,  
210, 221, 45,  
221, 221, 34, 221, 210, 45, 34, 34, 221, 34, 45, 34, 34, 34, 34, 210, 34, 34, 34, 34,  
34, 34, 34, 34, 34, 34, 34, 34, 34, 34, 144, 170, 0, 0, 0, 0, 0, 0, 0, 0, 0,  
0,  
0,  
0,  
0,  
0,  
0,  
0, 0, 0, 0, 0, 0, 0, 0, 10, 45, 221, 221, 221, 221, 221, 221, 221, 221, 221,  
221, 141, 221, 141, 141, 141, 221, 216, 221, 141, 141, 136, 216, 136, 216, 216, 141,  
136, 136, 136,  
136, 136, 136, 136, 136, 136, 142, 136, 232, 232, 136, 136, 232, 142, 232, 238, 238,  
232, 238, 232,  
232, 238, 238, 238, 238, 238, 238, 238, 238, 238, 238, 238, 238, 236, 238, 206, 238,  
238, 238, 238,  
238, 238, 238, 238, 238, 238, 238, 238, 238, 238, 238, 238, 238, 238, 238, 238,  
238, 142, 238,  
142, 142, 238, 142, 232, 232, 232, 136, 136, 136, 136, 142, 142, 142, 136, 136, 136,  
136, 136, 136,  
136, 136, 136, 136, 141, 136, 136, 216, 216, 216, 216, 136, 216, 216, 141, 141, 221,  
141, 216, 221,  
221, 221, 141, 216, 216, 221, 141, 221, 221, 221, 221, 210, 221, 221, 221, 221, 210,  
221, 45, 210,  
45, 34, 221, 34, 34, 210, 45, 34, 34, 34, 34, 34, 34, 34, 34, 34, 34, 34, 34, 34,  
34, 34, 34, 34, 34, 34, 34, 34, 42, 170, 0, 0, 0, 0, 0, 0, 0, 0, 0,  
0,  
0, 0, 0, 0, 0, 0, 0, 0, 0, 0, 0, 0, 0, 0, 0, 0, 0, 0, 0, 0,

0,  
0,  
0,  
0,  
0, 0, 0, 0, 0, 0, 0, 0, 0, 0, 170, 212, 221, 221, 221, 221, 216, 221, 141, 216,  
221, 216, 216, 216, 216, 216, 136, 141, 136, 216, 136, 216, 141, 141, 136, 136, 136,  
141, 136, 216,  
136, 136, 136, 136, 136, 136, 136, 136, 136, 142, 142, 232, 142, 232, 142, 136, 136,  
238, 232, 238,  
238, 238, 142, 238, 238, 238, 238, 238, 238, 238, 238, 238, 238, 238, 238, 238, 238,  
238, 206, 238,  
238, 236, 238, 206, 238, 238, 238, 238, 238, 238, 238, 238, 238, 238, 238, 238, 238,  
238, 238, 238,  
238, 238, 142, 232, 238, 142, 142, 232, 238, 142, 142, 136, 136, 136, 136, 136, 136,  
136, 136, 136,  
136, 136, 141, 136, 136, 136, 216, 136, 136, 216, 141, 141, 141, 141, 216, 216, 136,  
216, 221, 141,  
141, 141, 216, 221, 221, 221, 221, 221, 141, 221, 221, 221, 221, 210, 221, 45, 45,  
210, 210, 221,  
210, 221, 34, 210, 221, 45, 210, 210, 210, 34, 210, 45, 45, 34, 45, 34, 34, 34, 34, 34,  
34, 34, 34, 34, 34, 34, 146, 26, 10, 0, 0, 0, 0, 0, 0, 0, 0, 0, 0, 0, 0, 0, 0,  
0,  
0,  
0,  
0,  
0,  
0,  
0, 0, 0, 0, 0, 0, 0, 0, 0, 0, 170, 162, 210, 221, 221, 221, 216, 221, 141,  
221, 141, 221, 141, 221, 141, 221, 216, 216, 221, 141, 141, 136, 216, 141, 136, 216,  
136, 136, 136,  
141, 136, 136, 136, 136, 142, 136, 232, 232, 232, 232, 142, 136, 142, 232, 238, 238,  
232, 238, 142,

























0,  
0,  
0,  
0,  
0, 0, 0, 0, 0, 0, 0, 0, 0, 0, 0, 0, 0, 0, 0, 170, 170, 170, 170, 170,  
170,  
170, 170, 170,  
170, 170, 170, 170, 170, 170, 170, 170, 170, 170, 0, 170, 160, 10, 0, 160, 0, 170, 10, 160,  
170,  
10, 160, 170, 170, 170, 170, 170, 170, 170, 170, 170, 170, 170, 170, 170, 160, 0, 0,  
0, 160,  
160, 160, 160, 160, 0, 0, 0, 0, 10, 0, 170, 170, 170, 170, 170, 170, 170, 170, 10, 170,  
10, 160, 170, 160, 170, 0, 170, 0, 170, 10, 10, 10, 0, 160, 0, 170, 170, 170, 170, 170,  
170, 170, 170, 170, 170, 170, 170, 170, 170, 170, 170, 170, 170, 170, 170, 170, 170, 170,  
170, 170, 170,  
170, 170, 170, 170, 170, 170, 170, 170, 170, 170, 170, 170, 170, 170, 170, 170, 170, 170,  
170, 170, 170,  
170, 170, 170, 170, 170, 170, 170, 170, 170, 170, 170, 170, 170, 170, 170, 170, 170,  
170, 170, 170,  
170, 170, 170, 160, 0, 0, 0, 0, 0, 0, 0, 0, 0, 0, 0, 0, 0, 0, 0, 0, 0, 0,  
0,  
0,  
0,  
0,  
0,  
0, 0, 0, 0, 0, 0, 0, 0, 0, 0, 0, 0, 0, 0, 0, 157, 68, 132, 212, 132,  
132, 132, 132, 132, 136, 72, 72, 72, 72, 72, 72, 132, 136, 72, 228, 228, 136, 78, 132,  
142,  
142, 78, 142, 78, 238, 238, 228, 238, 238, 227, 131, 238, 62, 227, 238, 227, 238, 62,  
227, 238,  
62, 227, 238, 62, 227, 238, 62, 62, 62, 227, 227, 236, 227, 236, 238, 62, 206, 206,  
206, 206,

206, 206, 206, 206, 206, 206, 60, 227, 236, 227, 238, 62, 227, 227, 238, 62, 62, 238,  
62, 238,  
62, 238, 62, 227, 238, 227, 238, 227, 238, 238, 62, 62, 227, 238, 227, 142, 228, 238,  
228, 238,  
228, 232, 228, 228, 232, 228, 228, 136, 72, 132, 136, 72, 132, 136, 72, 72, 72, 72,  
72, 132,  
132, 132, 136, 72, 72, 132, 141, 72, 77, 132, 141, 77, 77, 212, 221, 77, 212, 221, 77,  
212,  
221, 77, 212, 212, 221, 212, 221, 77, 212, 221, 221, 212, 45, 212, 45, 66, 66, 77,  
221, 212,  
34, 73, 41, 154, 0, 0, 0, 160, 0, 0, 0, 0, 0, 0, 0, 0, 0, 0, 0, 0, 0,  
0,  
0,  
0,  
0,  
0,  
0,  
0, 0, 0, 0, 0, 0, 0, 0, 0, 0, 0, 0, 170, 45, 221, 221, 45, 221, 141, 221,  
221, 216, 221, 141, 221, 141, 136, 216, 136, 141, 136, 136, 136, 136, 216, 136, 136,  
136, 136, 136,  
136, 136, 136, 136, 136, 72, 142, 136, 136, 136, 136, 136, 136, 232, 142, 136, 238,  
238, 232, 238,  
142, 238, 238, 238, 238, 238, 238, 238, 238, 238, 238, 238, 238, 238, 236, 238, 238,  
238, 238, 238,  
238, 238, 238, 238, 238, 238, 238, 238, 238, 238, 238, 238, 238, 238, 238, 238, 238,  
238, 238, 238,  
238, 238, 142, 232, 238, 136, 232, 136, 142, 136, 136, 136, 136, 136, 136, 142, 142,  
136, 136, 136,  
136, 136, 136, 136, 216, 136, 216, 136, 136, 136, 141, 136, 136, 216, 216, 141, 141,  
221, 221, 221,  
221, 221, 221, 221, 221, 221, 221, 221, 221, 221, 221, 221, 221, 221, 221, 221, 210,  
221, 45, 210,  
221, 45, 210, 34, 221, 34, 210, 34, 34, 34, 34, 34, 34, 34, 34, 34, 34, 34, 34, 34,

34, 34, 34, 34, 34, 42, 170, 0, 0, 0, 0, 0, 0, 0, 0, 0, 0, 0, 0, 0, 0, 0, 0, 0,  
0,  
0,  
0,  
0,  
0,  
0,  
0, 0, 0, 0, 0, 0, 0, 0, 0, 0, 0, 0, 4, 72, 221, 221, 221, 221, 221, 221, 221,  
216, 221, 141, 216, 216, 216, 221, 141, 221, 216, 141, 141, 141, 136, 136, 141, 136,  
136, 136, 136,  
136, 136, 136, 136, 136, 136, 136, 136, 136, 232, 142, 136, 232, 232, 136, 232, 238, 136,  
142, 142, 142,  
232, 238, 232, 238, 238, 238, 238, 238, 238, 238, 238, 238, 238, 238, 238, 238, 238,  
238, 238, 238,  
236, 238, 238, 238, 238, 238, 238, 238, 206, 238, 238, 238, 238, 238, 238, 238, 238,  
238, 238, 238,  
142, 142, 238, 142, 232, 238, 142, 238, 136, 238, 142, 232, 232, 142, 136, 136, 136,  
136, 136, 136,  
136, 136, 136, 136, 136, 136, 136, 136, 216, 216, 216, 141, 216, 141, 141, 216, 216,  
216, 141, 141,  
141, 136, 216, 216, 221, 221, 221, 221, 221, 221, 221, 221, 221, 221, 221, 221, 221, 221, 221, 34, 221,  
45, 210, 221,  
45, 34, 45, 221, 34, 210, 45, 34, 210, 45, 34, 34, 34, 34, 34, 34, 34, 34, 34, 34, 34, 34,  
34, 34, 34, 34, 34, 34, 146, 160, 0, 0, 0, 0, 0, 0, 0, 0, 0, 0, 0, 0, 0, 0, 0, 0, 0,  
0,  
0,  
0,  
0,  
0,  
0, 0, 0, 0, 0, 0, 0, 0, 170, 210, 221, 210, 221, 221, 221, 141, 216, 221, 141,  
141, 221, 221, 141, 141, 141, 136, 216, 136, 141, 136, 216, 136, 216, 141, 136, 136,  
141, 141, 136,

136, 136, 136, 136, 136, 238, 136, 232, 136, 136, 232, 136, 232, 238, 142, 136, 238,  
232, 238, 232,  
238, 232, 238, 238, 238, 238, 238, 238, 238, 238, 238, 238, 238, 238, 238, 238, 238, 236,  
238, 236, 238,  
238, 238, 236, 238, 238, 236, 238, 238, 238, 238, 238, 238, 238, 238, 238, 238, 238,  
238, 142, 238,  
232, 232, 232, 232, 238, 136, 232, 136, 238, 136, 232, 142, 142, 136, 142, 142, 136,  
136, 136, 136,  
136, 136, 216, 141, 136, 216, 141, 141, 141, 141, 141, 136, 141, 136, 216, 221, 141,  
141, 221, 216,  
221, 221, 221, 221, 141, 221, 221, 221, 216, 221, 221, 221, 45, 210, 221, 221, 210,  
210, 221, 34,  
210, 221, 210, 34, 45, 45, 34, 34, 34, 34, 34, 34, 34, 34, 34, 34, 34, 34, 34, 34, 34,  
34, 34, 34, 34, 34, 34, 34, 34, 170, 160, 0, 0, 0, 0, 0, 0, 0, 0, 0, 0,  
0,  
0,  
0,  
0,  
0,  
0, 0, 0, 0, 0, 0, 0, 0, 77, 221, 221, 221, 221, 221, 221, 221, 221, 216, 221,  
221, 141, 141, 221, 141, 141, 216, 216, 221, 141, 141, 141, 216, 141, 136, 216, 141,  
136, 136, 136,  
136, 136, 136, 136, 136, 136, 142, 136, 142, 136, 136, 232, 142, 136, 232, 238, 136,  
238, 142, 238,  
232, 238, 142, 238, 238, 238, 238, 238, 238, 238, 238, 238, 238, 236, 238, 238, 238,  
238, 238, 238,  
206, 238, 238, 238, 206, 238, 238, 206, 238, 238, 238, 238, 238, 238, 238, 238, 238,  
238, 238, 238,  
142, 238, 142, 238, 232, 238, 136, 238, 136, 232, 232, 232, 232, 142, 136, 136, 142,  
136, 136, 136,  
136, 136, 136, 136, 136, 136, 216, 216, 136, 216, 136, 221, 136, 221, 141, 136, 221,  
216, 141, 141,



0, 0, 0, 0, 0, 0, 0, 4, 45, 221, 45, 221, 221, 221, 221, 221, 221, 221, 141, 221,  
221, 221, 216, 221, 141, 141, 216, 216, 216, 216, 141, 141, 136, 216, 141, 136, 136,  
141, 136, 136,  
136, 136, 136, 136, 136, 136, 136, 136, 136, 136, 142, 136, 232, 232, 232, 238, 136,  
238, 238, 142,  
142, 238, 142, 238, 238, 238, 238, 238, 238, 238, 238, 238, 238, 238, 238, 238, 238,  
238, 238, 238,  
238, 238, 236, 238, 238, 238, 236, 238, 238, 238, 238, 238, 238, 238, 238, 238, 238,  
238, 238, 238,  
238, 232, 238, 142, 238, 232, 232, 232, 142, 142, 136, 142, 142, 136, 136, 136, 136,  
136, 136, 136,  
136, 136, 136, 136, 136, 136, 136, 136, 216, 136, 216, 141, 136, 221, 141, 141, 221,  
141, 221, 221,  
216, 221, 141, 221, 221, 221, 221, 221, 221, 221, 221, 221, 221, 221, 221, 210, 210,  
221, 45, 45,  
210, 210, 221, 45, 210, 34, 210, 45, 34, 34, 34, 34, 34, 34, 34, 34, 34, 34, 34, 34,  
34, 34, 34, 34, 34, 34, 34, 34, 34, 34, 26, 0, 160, 0, 0, 0, 0, 0, 0,  
0, 0, 0, 0, 0, 0, 0, 0, 0, 0, 0, 0, 0, 0, 0, 0, 0, 0, 0,  
0, 0, 0, 0, 0, 0, 0, 0, 0, 0, 0, 0, 0, 0, 0, 0, 0, 0, 0,  
0, 0, 0, 0, 0, 0, 0, 0, 0, 0, 0, 0, 0, 0, 0, 0, 0, 0, 0,  
0, 0, 0, 0, 0, 0, 0, 0, 0, 0, 0, 0, 0, 0, 0, 0, 0, 0, 0,  
0, 0, 0, 0, 0, 0, 0, 0, 0, 0, 0, 0, 0, 0, 0, 0, 0, 0, 0,  
0, 0, 0, 0, 0, 0, 162, 221, 221, 221, 221, 221, 210, 221, 221, 221, 141, 141, 216, 136,  
136, 216, 136, 216, 136, 141, 132, 216, 136, 72, 216, 141, 136, 136, 72, 136, 72,  
142, 136, 136,  
136, 238, 132, 232, 232, 56, 238, 238, 238, 142, 238, 238, 238, 238, 238, 238, 238,  
238, 238, 238,  
238, 238, 238, 238, 238, 238, 238, 238, 238, 238, 206, 236, 238, 206, 206, 206, 206,  
206, 236, 236,  
236, 236, 238, 236, 236, 236, 238, 236, 236, 238, 206, 236, 238, 238, 238, 238, 238,  
238, 238, 238,

238, 238, 238, 238, 238, 238, 238, 238, 238, 238, 238, 238, 238, 238, 238, 238, 238, 238,  
232, 238, 232,  
232, 136, 72, 142, 136, 136, 136, 136, 136, 136, 136, 136, 136, 216, 136, 136, 136, 136,  
136, 136, 136,  
141, 136, 216, 141, 136, 216, 216, 216, 221, 216, 221, 221, 221, 221, 221, 221, 221,  
221, 221, 221,  
221, 221, 221, 221, 221, 221, 221, 221, 221, 221, 221, 45, 221, 210, 66, 210, 66,  
210, 41, 34,  
34, 34, 34, 34, 34, 34, 34, 34, 34, 34, 34, 34, 42, 160, 0, 0, 0, 0, 0, 0, 0,  
0,  
0,  
0,  
0,  
0,  
0,  
0, 0, 0, 0, 0, 10, 36, 210, 221, 45, 221, 45, 221, 221, 221, 34, 34, 153, 153, 169,  
169, 154, 153, 169, 169, 154, 153, 153, 169, 153, 169, 153, 153, 169, 153, 169, 153,  
169, 169, 154,  
153, 169, 153, 154, 154, 153, 154, 154, 153, 169, 169, 169, 169, 169, 154, 153, 153,  
169, 153, 153,  
154, 153, 153, 153, 153, 153, 153, 153, 153, 153, 153, 153, 153, 153, 153, 153, 153,  
153, 153, 153,  
153, 153, 153, 153, 153, 153, 153, 153, 153, 153, 153, 153, 153, 153, 153, 153, 153,  
153, 153, 153,  
153, 153, 154, 153, 153, 169, 153, 153, 154, 153, 169, 154, 154, 154, 154, 154, 154,  
154, 154, 154,  
154, 153, 153, 169, 169, 169, 154, 154, 153, 169, 154, 153, 169, 154, 153, 169, 169,  
169, 169, 154,  
153, 169, 154, 153, 169, 153, 153, 153, 153, 169, 169, 153, 154, 153, 153, 153, 153,  
169, 153, 169,  
153, 169, 153, 169, 153, 169, 154, 153, 169, 154, 153, 169, 154, 154, 154, 154, 154,  
154, 153, 153,  
153, 153, 34, 34, 34, 34, 34, 34, 34, 34, 34, 34, 34, 0, 160, 0, 0, 0, 0, 0, 0,









0,  
0,  
0,  
0,  
0, 0, 0, 162, 221, 45, 45, 210, 221, 130, 170, 170, 0, 160, 0, 10, 10, 160, 160, 160,  
160, 170, 10, 170, 170, 170, 170, 170, 170, 170, 170, 170, 170, 170, 170, 170, 170,  
170, 170, 170,  
170, 170, 170, 170, 170, 170, 170, 170, 170, 170, 154, 170, 170, 170, 170, 160, 170, 170,  
10, 170, 170,  
170, 170, 170, 170, 170, 170, 170, 170, 170, 10, 10, 170, 170, 170, 170, 160, 160,  
10, 0, 10,  
170, 10, 160, 170, 10, 170, 170, 170, 170, 170, 170, 170, 170, 170, 170, 170, 170, 170,  
170, 170, 170,  
160, 160, 170, 170, 10, 170, 170, 170, 170, 170, 10, 170, 170, 170, 170, 170, 170,  
170, 170, 170,  
170, 170, 170, 170, 170, 170, 170, 170, 170, 170, 170, 170, 170, 170, 170, 170, 170,  
170, 170, 170,  
170, 170, 170, 170, 170, 170, 170, 170, 170, 170, 170, 170, 170, 170, 170, 170, 170,  
170, 170, 170,  
170, 170, 170, 170, 170, 170, 170, 170, 170, 170, 170, 170, 170, 170, 170, 170, 170,  
170, 170, 170,  
170, 170, 170, 170, 170, 170, 170, 170, 153, 34, 34, 34, 34, 34, 34, 0, 0, 0, 0, 0,  
0,  
0,  
0,  
0,  
0,  
0,  
0, 0, 10, 45, 34, 221, 210, 221, 210, 154, 170, 160, 10, 10, 170, 160, 160, 10, 10, 10,  
10, 170, 170, 170, 170, 170, 170, 170, 170, 170, 170, 170, 170, 170, 170, 170, 170, 170,  
170, 170, 170,  
170, 170, 170, 170, 169, 20, 51, 204, 204, 204, 204, 204, 52, 65, 154, 160, 10, 170,  
170, 170,





0, 162, 210, 210, 221, 45, 221, 153, 10, 0, 10, 160, 160, 160, 0, 10, 10, 160, 160,  
160,  
160, 170, 160, 170, 160, 170, 170, 170, 170, 170, 170, 170, 170, 170, 170, 170, 170, 170,  
170, 160, 145,  
51, 204, 204, 204, 204, 204, 204, 204, 60, 204, 204, 204, 60, 204, 204, 204, 204,  
204, 52, 26,  
170, 170, 170, 170, 170, 170, 170, 170, 170, 170, 170, 170, 170, 60, 204, 204, 204, 204,  
204, 204, 204,  
196, 170, 170, 170, 170, 170, 170, 170, 170, 170, 170, 170, 170, 160, 160, 170, 10,  
170, 28, 204,  
204, 204, 204, 204, 204, 204, 193, 170, 170, 169, 204, 204, 204, 204, 204, 204, 204,  
204, 204, 204,  
204, 204, 204, 204, 204, 204, 204, 204, 204, 204, 204, 204, 26, 170, 170, 170, 170,  
170, 170, 161,  
204, 204, 204, 204, 204, 204, 204, 204, 204, 204, 204, 204, 204, 204, 204, 204, 204,  
204, 204, 52,  
25, 170, 170, 170, 170, 10, 160, 170, 170, 170, 170, 170, 170, 170, 170, 170, 170,  
170, 170, 170,  
170, 170, 170, 170, 170, 170, 170, 170, 170, 0, 169, 34, 34, 34, 34, 34, 34, 10, 0, 0,  
0,  
0,  
0,  
0,  
0,  
0,  
10, 45, 221, 221, 45, 210, 210, 170, 0, 0, 160, 10, 10, 10, 170, 160, 160, 10, 10, 10,  
10, 0, 10, 0, 10, 160, 170, 170, 170, 170, 170, 170, 170, 170, 170, 170, 170, 170,  
145, 60,  
204, 204, 195, 204, 204, 204, 195, 204, 204, 204, 204, 204, 204, 204, 204, 204,  
204, 204, 195,  
74, 170, 170, 170, 170, 170, 170, 170, 170, 170, 170, 170, 76, 204, 204, 204, 204,  
204, 204, 204,

204, 154, 170, 170, 170, 170, 170, 170, 170, 170, 170, 170, 170, 170, 170, 170, 170, 170, 170,  
10, 204, 204,  
204, 204, 204, 204, 204, 204, 58, 170, 170, 161, 204, 204, 204, 204, 204, 204, 204, 204,  
204, 204, 204,  
204, 204, 204, 204, 204, 204, 204, 204, 204, 204, 204, 204, 204, 74, 170, 170, 170, 170,  
170, 170, 169,  
204, 204, 204, 204, 204, 204, 204, 204, 204, 204, 204, 204, 204, 204, 204, 204, 204, 204, 204,  
204, 204, 204,  
195, 73, 170, 170, 170, 170, 170, 160, 170, 10, 170, 170, 170, 170, 170, 170, 170, 170,  
170, 170, 170,  
170, 170, 170, 170, 170, 170, 170, 170, 170, 0, 160, 146, 34, 34, 34, 34, 34, 154,  
160, 0,  
0,  
0,  
0,  
0,  
0,  
0,  
162, 210, 34, 210, 210, 221, 154, 170, 0, 170, 10, 160, 160, 160, 0, 10, 10, 160, 160,  
160,  
160, 170, 160, 170, 160, 170, 160, 170, 170, 170, 170, 170, 170, 170, 170, 170, 170, 170,  
164, 204, 204,  
204, 204, 204, 204, 204, 204, 204, 204, 204, 204, 204, 60, 204, 204, 60, 204, 60,  
204, 204, 204,  
204, 26, 170, 170, 170, 170, 170, 170, 170, 170, 170, 170, 170, 172, 204, 204, 204, 204,  
204, 204, 204,  
204, 74, 170, 170, 170, 170, 170, 170, 170, 170, 170, 170, 170, 170, 170, 170, 170,  
164, 204, 204,  
204, 204, 204, 204, 204, 204, 154, 170, 170, 161, 204, 204, 204, 204, 204, 204, 204, 204,  
204, 204, 204,  
204, 204, 204, 204, 204, 204, 204, 204, 204, 204, 204, 204, 202, 170, 170, 170, 170,  
170, 170, 161,



204, 204, 204, 204, 204, 204, 204, 204, 204, 204, 204, 204, 204, 204, 204, 204, 204, 204,  
204, 204, 204,  
204, 204, 74, 170, 170, 170, 170, 170, 170, 170, 160, 170, 10, 170, 170, 170, 170, 170,  
170, 170, 170,  
170, 170, 170, 170, 170, 170, 170, 170, 170, 0, 0, 170, 34, 34, 34, 34, 34, 42, 170, 0,  
0,  
0,  
0,  
0,  
0,  
0, 0, 0, 0, 0, 0, 0, 0, 0, 0, 0, 0, 0, 0, 0, 0, 0, 0, 0, 10,  
45, 45, 221, 221, 45, 210, 170, 160, 10, 0, 160, 10, 160, 10, 170, 160, 160, 10, 10,  
10,  
10, 0, 10, 0, 10, 170, 170, 170, 170, 170, 170, 170, 170, 170, 170, 170, 170, 161, 60, 204,  
204,  
204, 204, 60, 204, 204, 60, 204, 204, 204, 60, 204, 204, 204, 204, 204, 204, 204,  
204, 204, 204,  
204, 195, 154, 170, 170, 170, 170, 170, 170, 170, 170, 170, 161, 204, 204, 204, 204,  
204, 204, 204,  
204, 57, 170, 170, 170, 170, 170, 170, 170, 170, 170, 170, 170, 170, 170, 170, 170,  
163, 204, 204,  
204, 204, 204, 204, 204, 195, 170, 170, 170, 169, 204, 204, 204, 204, 204, 204, 204,  
204, 204, 204,  
204, 204, 204, 204, 204, 204, 204, 204, 204, 204, 204, 204, 202, 170, 170, 170, 170,  
170, 170, 169,  
204, 204, 204, 204, 204, 204, 204, 204, 204, 204, 204, 204, 204, 204, 204, 204, 204,  
204, 204, 204,  
204, 204, 204, 16, 170, 170, 170, 170, 170, 170, 170, 170, 10, 10, 160, 170, 170,  
170, 170, 170,  
170, 170, 170, 170, 170, 170, 170, 170, 170, 10, 10, 10, 146, 34, 34, 34, 34, 34, 170,  
160,  
0,  
0, 0, 0, 0, 0, 0, 0, 0, 0, 0, 0, 0, 0, 0, 0, 0, 0, 0, 0, 0,

0,  
0,  
0,  
0, 0, 0, 0, 0, 0, 0, 0, 0, 0, 0, 0, 0, 0, 0, 0, 0, 0, 0, 162,  
210, 210, 210, 45, 210, 26, 170, 0, 160, 170, 10, 160, 10, 160, 0, 10, 10, 160, 160,  
160,  
160, 170, 160, 170, 160, 0, 0, 0, 0, 170, 170, 170, 170, 170, 170, 169, 60, 204, 204,  
204,  
60, 204, 204, 204, 204, 204, 204, 204, 204, 204, 204, 204, 204, 204, 60, 204, 204, 204,  
204, 204, 204,  
204, 204, 196, 154, 170, 170, 170, 170, 170, 170, 170, 170, 170, 170, 204, 204, 204, 204,  
204, 204, 204,  
204, 193, 170, 170, 170, 170, 170, 170, 170, 170, 170, 170, 170, 170, 170, 170, 170, 170,  
28, 204, 204,  
204, 204, 204, 204, 204, 193, 170, 170, 170, 161, 204, 204, 204, 204, 204, 204, 204, 204,  
204, 204, 204,  
204, 204, 204, 204, 204, 204, 204, 204, 204, 204, 204, 204, 193, 170, 170, 170, 170,  
170, 170, 161,  
204, 204, 204, 204, 204, 204, 204, 204, 204, 204, 204, 204, 204, 204, 204, 204, 204, 204,  
204, 204, 204,  
204, 204, 204, 193, 170, 170, 170, 170, 170, 170, 170, 170, 170, 170, 170, 170, 160, 160,  
170, 10, 170,  
170, 170, 170, 170, 170, 170, 160, 0, 0, 0, 160, 170, 169, 34, 34, 34, 34, 34, 42, 170,  
0,  
0,  
0,  
0,  
0,  
0, 0, 0, 0, 0, 0, 0, 0, 0, 0, 0, 0, 0, 0, 0, 0, 0, 0, 10, 34,  
45, 45, 45, 210, 210, 170, 170, 0, 10, 0, 160, 10, 160, 10, 170, 160, 160, 10, 10, 10,  
10, 0, 10, 0, 10, 170, 170, 160, 160, 0, 0, 0, 0, 170, 170, 67, 204, 204, 204, 204,  
204, 204, 204, 204, 195, 204, 204, 60, 204, 204, 204, 204, 204, 204, 204, 195, 204,  
204, 204, 204,

204, 204, 204, 49, 10, 170, 170, 170, 170, 170, 170, 170, 170, 28, 204, 204, 204,  
204, 204, 204,  
204, 195, 170, 170, 170, 170, 170, 170, 170, 170, 170, 170, 170, 170, 170, 170, 170, 170,  
60, 204, 204,  
204, 204, 204, 204, 204, 58, 170, 170, 170, 161, 204, 204, 204, 204, 204, 204, 204,  
204, 204, 204,  
204, 204, 204, 204, 204, 204, 204, 204, 204, 204, 204, 204, 204, 196, 10, 170, 170, 170,  
170, 170, 169,  
204, 204, 204, 204, 204, 204, 204, 204, 204, 204, 204, 204, 204, 204, 204, 204, 204, 204,  
204, 204, 204,  
204, 204, 204, 204, 58, 170, 170, 170, 170, 170, 170, 170, 170, 170, 170, 170, 170,  
170, 170, 10,  
10, 160, 170, 170, 170, 170, 160, 0, 0, 160, 10, 0, 160, 146, 34, 34, 34, 34, 34, 160,  
160,  
0,  
0,  
0,  
0,  
0,  
0,  
0,  
210, 221, 45, 45, 74, 170, 160, 10, 160, 170, 10, 160, 10, 160, 0, 10, 10, 160, 160,  
160,  
160, 170, 160, 170, 160, 0, 0, 10, 10, 10, 0, 0, 0, 10, 163, 204, 204, 204, 204, 204,  
204, 204, 204, 204, 204, 204, 204, 204, 204, 204, 60, 204, 60, 204, 204, 204, 204, 204,  
195, 204, 204,  
204, 204, 204, 204, 74, 170, 170, 170, 170, 170, 170, 170, 170, 170, 172, 204, 204, 204,  
204, 204, 204,  
204, 204, 154, 170, 170, 170, 170, 170, 170, 170, 170, 170, 170, 170, 170, 170, 170, 161,  
204, 204, 204,  
204, 204, 204, 204, 204, 154, 170, 170, 170, 169, 204, 204, 204, 204, 204, 204, 204,  
204, 204, 204,  
204, 204, 204, 204, 204, 204, 204, 204, 204, 204, 204, 204, 195, 10, 160, 170, 10,  
160, 170, 161,

204, 204, 204, 204, 204, 204, 204, 204, 204, 204, 204, 204, 204, 204, 204, 204, 204, 204,  
204, 204, 204,  
204, 204, 204, 60, 196, 170, 170, 170, 170, 170, 170, 170, 170, 170, 170, 170, 170, 170, 170,  
170, 170, 170,  
170, 170, 160, 160, 170, 10, 160, 10, 170, 10, 160, 160, 0, 169, 34, 34, 34, 34, 34,  
42,  
160,  
0,  
0,  
0,  
0,  
0, 0, 0, 0, 0, 0, 0, 0, 0, 0, 0, 0, 0, 0, 0, 0, 0, 0, 34, 210,  
45, 45, 221, 210, 170, 170, 0, 0, 10, 0, 160, 10, 160, 10, 170, 160, 160, 10, 10, 10,  
10, 0, 10, 0, 10, 170, 170, 160, 160, 160, 170, 170, 170, 9, 204, 204, 204, 204, 60,  
195,  
204, 195, 204, 195, 204, 204, 204, 204, 204, 204, 204, 204, 195, 204, 204, 204,  
204, 204, 204,  
60, 204, 204, 204, 195, 170, 170, 170, 170, 170, 170, 170, 170, 169, 204, 204, 204,  
204, 204, 204,  
204, 204, 58, 170, 170, 170, 170, 170, 170, 170, 170, 170, 170, 170, 170, 170, 163,  
204, 204, 204,  
204, 204, 204, 204, 195, 170, 170, 170, 170, 161, 204, 204, 204, 204, 204, 204, 204,  
204, 204, 204,  
204, 204, 204, 204, 204, 204, 204, 204, 204, 204, 204, 204, 204, 10, 170, 170, 170,  
170, 10, 169,  
204, 204, 204, 204, 204, 204, 204, 204, 204, 204, 204, 204, 204, 204, 204, 204, 204,  
204, 204, 204,  
204, 204, 204, 204, 204, 74, 170, 170, 170, 170, 170, 170, 170, 170, 170, 170, 170,  
170, 170, 170,  
170, 170, 170, 170, 170, 170, 0, 160, 0, 160, 10, 10, 10, 170, 34, 34, 34, 34, 34, 34,  
0, 160, 0, 0, 0, 0, 0, 0, 0, 0, 0, 0, 0, 0, 0, 0, 0, 0, 0, 0,  
0,  
0, 0, 0, 0, 0, 0, 0, 0, 0, 0, 0, 0, 0, 0, 0, 0, 0, 0, 0, 0,

0,  
0,  
0, 0, 0, 0, 0, 0, 0, 0, 0, 0, 0, 0, 0, 0, 0, 0, 1, 45, 45,  
210, 210, 34, 74, 170, 160, 10, 170, 160, 170, 10, 160, 10, 160, 0, 10, 10, 160, 160,  
160,  
160, 170, 160, 170, 160, 0, 0, 10, 10, 10, 0, 0, 0, 28, 195, 204, 204, 204, 204, 204,  
204, 204, 204, 204, 204, 204, 195, 204, 204, 204, 195, 204, 204, 204, 204, 204, 204,  
60, 204, 204,  
204, 204, 204, 204, 204, 57, 170, 170, 170, 170, 170, 170, 170, 170, 60, 204, 204,  
204, 204, 204,  
204, 204, 201, 170, 170, 170, 170, 170, 170, 170, 170, 170, 170, 170, 170, 170, 28,  
204, 204, 204,  
204, 204, 204, 204, 201, 170, 170, 170, 170, 161, 204, 204, 204, 204, 204, 204, 204,  
204, 204, 204,  
204, 204, 204, 204, 204, 204, 204, 204, 204, 204, 204, 204, 204, 154, 170, 170, 170,  
170, 170, 161,  
204, 204, 204, 204, 204, 204, 204, 204, 204, 204, 204, 204, 204, 204, 204, 204, 204,  
204, 204, 204,  
204, 60, 195, 204, 204, 201, 170, 170, 170, 170, 170, 170, 170, 170, 170, 170, 170,  
170, 170, 170,  
170, 170, 170, 170, 170, 170, 160, 10, 170, 10, 160, 160, 170, 0, 9, 34, 34, 34, 34,  
34,  
42, 160, 0, 0, 0, 0, 0, 0, 0, 0, 0, 0, 0, 0, 0, 0, 0, 0, 0, 0,  
0,  
0,  
0,  
0,  
0, 0, 0, 0, 0, 0, 0, 0, 0, 0, 0, 0, 0, 0, 0, 0, 4, 34, 210,  
45, 45, 210, 170, 170, 160, 0, 0, 10, 0, 160, 10, 160, 10, 170, 160, 160, 10, 10, 10,  
10, 0, 10, 0, 10, 170, 170, 160, 160, 160, 170, 170, 161, 204, 204, 204, 60, 204, 204,  
204,  
204, 204, 204, 60, 204, 204, 204, 204, 60, 204, 204, 204, 204, 204, 204, 60, 204,  
204, 204, 195,

204, 204, 204, 204, 204, 195, 154, 170, 170, 170, 170, 170, 170, 170, 28, 204, 204,  
204, 204, 204,  
204, 204, 196, 170, 170, 170, 170, 170, 170, 170, 170, 170, 170, 170, 170, 170, 170, 76,  
204, 204, 204,  
204, 204, 204, 204, 58, 170, 170, 170, 170, 169, 204, 204, 204, 204, 204, 204, 204,  
204, 204, 204,  
204, 204, 204, 204, 204, 204, 204, 204, 204, 204, 204, 204, 204, 204, 16, 170, 170, 170,  
170, 170, 169,  
204, 204, 204, 204, 204, 204, 204, 204, 204, 204, 204, 204, 204, 204, 204, 204, 204, 204,  
204, 204, 195,  
204, 204, 204, 204, 204, 195, 170, 170, 170, 170, 170, 170, 170, 170, 170, 170, 170, 170,  
170, 170, 170,  
170, 170, 170, 170, 170, 170, 0, 160, 0, 160, 10, 10, 10, 160, 10, 34, 34, 34, 34, 34,  
34, 0, 160, 0, 0, 0, 0, 0, 0, 0, 0, 0, 0, 0, 0, 0, 0, 0, 0, 0, 0,  
0, 0, 0, 0, 0, 0, 0, 0, 0, 0, 0, 0, 0, 0, 0, 0, 0, 0, 0,  
0, 0, 0, 0, 0, 0, 0, 0, 0, 0, 0, 0, 0, 0, 0, 0, 0, 0, 0,  
0, 0, 0, 0, 0, 0, 0, 0, 0, 0, 0, 0, 0, 0, 0, 0, 0, 0, 0,  
0, 0, 0, 0, 0, 0, 0, 0, 0, 0, 0, 0, 0, 0, 0, 0, 0, 0, 0,  
0, 0, 0, 0, 0, 0, 0, 0, 0, 0, 0, 0, 0, 0, 0, 0, 34, 45, 34,  
210, 210, 73, 170, 170, 0, 170, 170, 160, 170, 10, 160, 10, 160, 0, 10, 10, 160, 160,  
160,  
160, 170, 160, 170, 160, 0, 0, 10, 10, 10, 0, 0, 28, 204, 204, 204, 204, 204, 60, 204,  
195, 204, 204, 204, 204, 195, 60, 68, 65, 145, 145, 67, 51, 204, 204, 204, 204, 204,  
204, 204,  
204, 204, 204, 195, 204, 204, 201, 170, 170, 170, 170, 170, 170, 170, 163, 204, 204,  
204, 204, 204,  
204, 204, 204, 170, 170, 170, 170, 170, 170, 170, 170, 170, 170, 170, 170, 169, 204,  
204, 204, 204,  
204, 204, 204, 204, 154, 170, 170, 170, 170, 161, 204, 204, 204, 204, 204, 204, 204,  
204, 204, 204,  
204, 204, 204, 204, 204, 204, 204, 204, 204, 204, 204, 204, 195, 74, 170, 170, 170,  
170, 170, 161,

204, 204, 204, 204, 204, 204, 204, 204, 204, 204, 204, 204, 204, 204, 204, 204, 204, 204,  
204, 204, 204,  
204, 204, 204, 204, 204, 60, 26, 170, 170, 170, 170, 170, 170, 170, 170, 170, 170, 170,  
170, 170, 170,  
170, 170, 170, 170, 160, 160, 10, 10, 170, 10, 160, 160, 160, 10, 160, 169, 34, 34,  
34, 34,  
34, 42, 160, 0, 0, 0, 0, 0, 0, 0, 0, 0, 0, 0, 0, 0, 0, 0, 0, 0, 0,  
0, 0, 0, 0, 0, 0, 0, 0, 0, 0, 0, 0, 0, 0, 0, 0, 0, 0, 0,  
0, 0, 0, 0, 0, 0, 0, 0, 0, 0, 0, 0, 0, 0, 0, 0, 0, 0, 0,  
0, 0, 0, 0, 0, 0, 0, 0, 0, 0, 0, 0, 0, 0, 0, 0, 0, 0, 0,  
0, 0, 0, 0, 0, 0, 0, 0, 0, 0, 0, 0, 0, 0, 0, 0, 0, 0, 0,  
0, 0, 0, 0, 0, 0, 0, 0, 0, 0, 0, 0, 0, 0, 0, 4, 45, 210, 221,  
45, 210, 154, 170, 160, 10, 0, 0, 10, 0, 160, 10, 160, 10, 170, 160, 160, 10, 10, 10,  
10, 0, 10, 0, 10, 170, 170, 160, 160, 160, 170, 161, 204, 204, 204, 195, 204, 204,  
204, 204,  
204, 204, 195, 204, 52, 73, 170, 170, 160, 170, 170, 170, 169, 148, 51, 204, 204,  
195, 204, 204,  
204, 195, 204, 204, 204, 60, 195, 154, 170, 170, 170, 170, 170, 170, 161, 204, 204,  
204, 204, 204,  
204, 204, 204, 74, 170, 170, 170, 170, 170, 170, 170, 170, 170, 170, 170, 170, 164, 204,  
204, 204, 204,  
204, 204, 204, 196, 170, 170, 170, 170, 170, 161, 204, 204, 204, 204, 204, 204, 204,  
195, 153, 149,  
153, 145, 153, 153, 89, 153, 25, 153, 145, 153, 145, 153, 145, 154, 170, 170, 170,  
170, 170, 169,  
204, 204, 204, 204, 204, 204, 204, 196, 153, 145, 153, 145, 153, 17, 67, 60, 204,  
195, 204, 204,  
204, 204, 204, 204, 204, 204, 58, 170, 170, 170, 170, 170, 170, 170, 170, 170, 170,  
170, 170, 170,  
170, 170, 170, 170, 0, 0, 0, 160, 0, 160, 10, 10, 10, 160, 0, 170, 34, 34, 34, 34,  
34, 34, 0, 160, 0, 0, 0, 0, 0, 0, 0, 0, 0, 0, 0, 0, 0, 0, 0,  
0, 0, 0, 0, 0, 0, 0, 0, 0, 0, 0, 0, 0, 0, 0, 0, 0, 0, 0,  
0, 0, 0, 0, 0, 0, 0, 0, 0, 0, 0, 0, 0, 0, 0, 0, 0, 0, 0,







204, 204, 204, 204, 204, 204, 204, 201, 170, 170, 170, 170, 170, 170, 170, 170, 170,  
156, 204, 60,  
204, 204, 204, 60, 204, 204, 195, 170, 170, 170, 170, 170, 170, 170, 170, 170, 170,  
170, 160, 0,  
170, 160, 170, 170, 170, 170, 170, 170, 0, 10, 160, 160, 160, 10, 170, 170, 170, 153,  
34, 34,  
34, 34, 34, 153, 0, 0, 0, 0, 0, 0, 0, 0, 0, 0, 0, 0, 0, 0, 0, 0, 0, 0,  
0,  
0,  
0,  
0,  
0, 0, 0, 0, 0, 0, 0, 0, 0, 0, 0, 0, 0, 1, 45, 34, 210, 45, 221,  
153, 170, 160, 10, 170, 170, 0, 0, 10, 0, 160, 10, 160, 10, 170, 160, 160, 10, 10, 10,  
10, 0, 10, 0, 10, 170, 170, 160, 160, 170, 28, 204, 204, 204, 204, 195, 204, 195, 204,  
204,  
196, 170, 170, 170, 170, 170, 170, 170, 170, 170, 170, 170, 170, 170, 170, 170, 170,  
169, 60, 204,  
195, 204, 204, 60, 204, 204, 195, 204, 57, 170, 170, 170, 170, 170, 170, 161, 204,  
204, 204, 204,  
204, 204, 204, 204, 154, 170, 170, 170, 170, 170, 170, 170, 170, 170, 164, 204, 204,  
204, 204, 204,  
204, 204, 196, 170, 170, 170, 170, 170, 170, 161, 204, 204, 204, 204, 204, 204, 204,  
195, 170, 170,  
170, 170, 170, 170, 170, 170, 170, 170, 170, 170, 170, 170, 170, 170, 170, 170, 170,  
170, 170, 161,  
204, 204, 204, 204, 204, 204, 204, 201, 170, 170, 170, 170, 170, 170, 170, 170, 170,  
164, 204, 204,  
204, 204, 204, 204, 204, 204, 204, 170, 170, 160, 170, 170, 170, 170, 170, 170, 170,  
170, 0, 170,  
0, 170, 170, 170, 170, 170, 170, 170, 170, 0, 10, 10, 10, 160, 0, 0, 10, 169, 34, 34,  
34, 34, 34, 34, 0, 160, 0, 0, 0, 0, 0, 0, 0, 0, 0, 0, 0, 0, 0, 0, 0,  
0,  
0, 0, 0, 0, 0, 0, 0, 0, 0, 0, 0, 0, 0, 0, 0, 0, 0, 0, 0, 0,





204, 204, 204, 204, 204, 204, 204, 201, 170, 170, 170, 170, 170, 170, 170, 170, 170,  
170, 76, 204,  
204, 204, 204, 204, 204, 60, 204, 26, 170, 170, 170, 170, 170, 170, 170, 170, 170, 0,  
0, 0,  
170, 170, 170, 160, 170, 170, 170, 170, 170, 0, 160, 160, 160, 10, 170, 170, 0, 170,  
160, 146,  
34, 34, 34, 34, 34, 42, 160, 0, 0, 0, 0, 0, 0, 0, 0, 0, 0, 0, 0, 0, 0, 0,  
0,  
0,  
0,  
0,  
0, 0, 0, 0, 0, 0, 0, 0, 0, 0, 10, 157, 45, 45, 34, 210, 34, 42, 170,  
0, 0, 10, 170, 170, 170, 0, 0, 10, 0, 160, 10, 160, 10, 170, 160, 160, 10, 10, 10,  
10, 0, 10, 0, 10, 170, 170, 160, 160, 60, 204, 204, 60, 204, 204, 204, 204, 204, 201,  
160,  
10, 170, 170, 160, 160, 170, 170, 170, 170, 170, 170, 170, 170, 170, 170, 170, 170,  
170, 170, 170,  
76, 204, 204, 204, 204, 204, 204, 204, 195, 201, 170, 170, 170, 170, 170, 170, 169,  
204, 204, 204,  
204, 204, 204, 204, 195, 170, 170, 170, 170, 170, 170, 170, 170, 164, 204, 204, 204,  
204, 204, 204,  
204, 196, 170, 170, 170, 170, 170, 170, 170, 170, 161, 204, 204, 204, 204, 204, 204, 204,  
196, 170, 170,  
170, 170, 170, 170, 170, 170, 170, 170, 170, 170, 170, 170, 170, 170, 170, 170, 170,  
170, 170, 161,  
204, 204, 204, 204, 204, 204, 60, 201, 170, 170, 170, 170, 170, 170, 170, 170, 170,  
170, 76, 204,  
195, 204, 195, 204, 204, 204, 204, 154, 170, 170, 170, 170, 170, 170, 170, 170, 170,  
0, 170, 170,  
0, 170, 170, 170, 170, 170, 170, 170, 170, 0, 10, 10, 10, 160, 0, 0, 170, 0, 0, 169,  
34, 34, 34, 34, 34, 34, 0, 160, 0, 0, 0, 0, 0, 0, 0, 0, 0, 0, 0, 0,  
0,  
0, 0, 0, 0, 0, 0, 0, 0, 0, 0, 0, 0, 0, 0, 0, 0, 0, 0, 0, 0,





204, 204, 195, 204, 204, 204, 204, 201, 170, 170, 170, 170, 170, 170, 170, 170, 170,  
169, 60, 204,  
195, 204, 204, 204, 195, 204, 204, 170, 170, 170, 160, 160, 160, 170, 170, 170, 170,  
10, 0, 0,  
170, 170, 170, 170, 170, 160, 170, 170, 170, 10, 160, 160, 160, 10, 170, 170, 0, 170,  
10, 0,  
170, 146, 34, 34, 34, 34, 34, 42, 160, 0, 0, 0, 0, 0, 0, 0, 0, 0, 0,  
0,  
0,  
0,  
0,  
0, 0, 0, 0, 0, 0, 0, 0, 10, 34, 34, 34, 34, 210, 210, 154, 160, 10, 160,  
160, 0, 10, 170, 170, 170, 0, 0, 10, 0, 160, 10, 160, 10, 170, 160, 160, 10, 10, 10,  
10, 0, 10, 0, 10, 170, 170, 160, 156, 204, 204, 204, 204, 204, 204, 204, 204, 26, 170,  
10,  
10, 170, 170, 170, 170, 160, 0, 0, 170, 170, 170, 170, 170, 170, 170, 170, 170, 170,  
170, 170,  
170, 164, 204, 204, 204, 204, 204, 195, 204, 204, 202, 170, 170, 170, 170, 170, 170,  
161, 204, 204,  
204, 204, 204, 204, 204, 195, 10, 170, 170, 170, 170, 170, 161, 204, 204, 204, 204,  
204, 204, 204,  
193, 170, 10, 170, 170, 170, 170, 170, 170, 161, 204, 204, 204, 204, 204, 204, 204,  
195, 170, 170,  
170, 170, 170, 170, 170, 170, 170, 170, 170, 170, 170, 170, 170, 170, 170, 170, 170,  
170, 170, 161,  
204, 204, 204, 204, 60, 204, 60, 201, 170, 170, 170, 170, 170, 170, 170, 170, 170,  
161, 204, 204,  
204, 204, 195, 204, 204, 204, 195, 170, 170, 170, 10, 10, 10, 0, 0, 0, 0, 160, 170,  
170,  
170, 170, 170, 170, 170, 170, 170, 170, 160, 0, 10, 10, 10, 160, 0, 0, 170, 0, 160,  
170,  
10, 169, 34, 34, 34, 34, 34, 34, 0, 0, 0, 0, 0, 0, 0, 0, 0, 0, 0, 0,  
0, 0, 0, 0, 0, 0, 0, 0, 0, 0, 0, 0, 0, 0, 0, 0, 0, 0, 0, 0,



0,  
0,  
0,  
0, 0, 0, 0, 0, 0, 0, 0, 162, 34, 34, 210, 34, 34, 217, 170, 160, 0, 10,  
10, 170, 160, 0, 0, 0, 170, 170, 160, 170, 10, 160, 10, 160, 0, 10, 10, 160, 160, 160,  
160, 170, 160, 170, 160, 0, 0, 10, 76, 195, 204, 204, 60, 204, 204, 60, 195, 154, 0,  
160,  
160, 0, 0, 170, 170, 10, 170, 170, 0, 170, 170, 170, 170, 170, 170, 170, 170, 170, 170,  
170, 170,  
170, 161, 204, 204, 204, 195, 204, 204, 204, 204, 201, 170, 170, 170, 10, 170, 170,  
170, 51, 204,  
204, 204, 204, 204, 204, 204, 170, 170, 170, 170, 170, 170, 163, 204, 204, 204, 204,  
204, 204, 204,  
58, 170, 170, 170, 170, 170, 170, 170, 170, 161, 204, 204, 204, 204, 204, 204, 204,  
195, 68, 52,  
67, 67, 68, 52, 52, 52, 67, 67, 68, 52, 26, 170, 170, 170, 170, 170, 170, 170, 170,  
169,  
204, 195, 204, 204, 204, 204, 204, 201, 170, 170, 170, 170, 170, 170, 170, 170, 170,  
156, 204, 204,  
204, 204, 204, 204, 60, 204, 193, 170, 170, 160, 160, 160, 160, 170, 170, 170, 170,  
10, 0, 0,  
170, 170, 170, 170, 170, 170, 170, 170, 0, 10, 160, 160, 160, 10, 170, 170, 0, 170,  
10, 0,  
0, 170, 146, 34, 34, 34, 34, 34, 34, 10, 0, 0, 0, 0, 0, 0, 0, 0, 0, 0,  
0,  
0,  
0,  
0,  
0, 0, 0, 0, 0, 0, 0, 0, 1, 34, 34, 34, 34, 210, 45, 154, 170, 160, 170, 160,  
160, 0, 10, 170, 170, 170, 0, 0, 10, 0, 160, 10, 160, 10, 170, 160, 160, 10, 10, 10,  
10, 0, 10, 0, 10, 170, 170, 170, 76, 204, 204, 204, 204, 204, 204, 204, 196, 0, 170,  
10,

10, 170, 170, 170, 170, 0, 0, 0, 170, 0, 10, 170, 170, 170, 170, 170, 170, 170, 170, 170,  
170,  
170, 170, 76, 204, 204, 204, 204, 204, 204, 204, 204, 52, 170, 170, 170, 170, 170, 170,  
170, 28, 204,  
204, 204, 204, 204, 204, 204, 74, 170, 170, 170, 170, 170, 28, 204, 204, 204, 204,  
204, 204, 204,  
26, 170, 170, 170, 170, 170, 170, 170, 170, 169, 204, 204, 204, 204, 204, 204, 204,  
204, 204, 204,  
195, 204, 204, 60, 60, 204, 195, 204, 204, 60, 26, 170, 170, 170, 170, 170, 170, 170,  
170, 161,  
204, 204, 204, 204, 204, 204, 204, 201, 170, 170, 170, 170, 170, 170, 170, 170, 161,  
60, 204, 195,  
204, 204, 204, 204, 204, 204, 202, 170, 170, 160, 10, 10, 10, 0, 0, 0, 0, 160, 170,  
170,  
170, 170, 170, 170, 170, 170, 170, 0, 10, 160, 10, 10, 10, 160, 0, 0, 170, 0, 160, 170,  
160, 10, 169, 34, 34, 34, 34, 34, 34, 154, 0, 0, 0, 0, 0, 0, 0, 0, 0, 0,  
0,  
0,  
0,  
0,  
0, 0, 0, 0, 0, 0, 0, 34, 34, 34, 34, 34, 45, 73, 170, 170, 0, 0, 10,  
10, 170, 160, 0, 0, 0, 170, 170, 160, 170, 10, 160, 10, 160, 0, 10, 10, 160, 160, 160,  
160, 170, 160, 170, 160, 0, 0, 9, 60, 204, 204, 60, 204, 204, 195, 204, 57, 170, 0,  
160,  
160, 0, 0, 170, 170, 170, 170, 170, 0, 170, 160, 10, 170, 170, 170, 170, 170, 170,  
170, 170,  
170, 170, 28, 204, 195, 204, 204, 204, 60, 204, 195, 170, 170, 170, 170, 170, 170,  
170, 163, 204,  
204, 204, 204, 204, 204, 204, 58, 170, 170, 170, 170, 170, 60, 195, 204, 204, 204,  
204, 204, 195,  
170, 170, 170, 160, 170, 170, 170, 170, 170, 161, 204, 204, 204, 204, 204, 204, 204,  
60, 204, 204,

204, 204, 204, 204, 204, 204, 204, 204, 204, 204, 204, 74, 170, 170, 170, 170, 170, 170,  
170, 170, 161,  
204, 204, 204, 60, 204, 60, 204, 57, 170, 170, 170, 170, 170, 170, 170, 170, 28, 204,  
204, 204,  
204, 195, 204, 204, 204, 204, 74, 170, 170, 10, 160, 160, 160, 170, 170, 170, 170,  
10, 0, 0,  
170, 170, 170, 170, 170, 170, 160, 0, 160, 10, 160, 160, 160, 10, 170, 170, 0, 170,  
10, 0,  
10, 0, 0, 169, 34, 34, 34, 34, 34, 34, 170, 0, 0, 0, 0, 0, 0, 0, 0, 0,  
0,  
0,  
0,  
0,  
160, 10, 0, 160, 10, 0, 0, 161, 34, 34, 34, 34, 210, 34, 154, 170, 160, 10, 10, 160,  
160, 0, 10, 170, 170, 170, 0, 0, 10, 0, 160, 10, 160, 10, 170, 160, 160, 10, 10, 10,  
10, 0, 10, 0, 10, 170, 170, 169, 60, 204, 204, 204, 204, 204, 204, 204, 204, 202, 160, 170,  
10,  
10, 170, 170, 0, 0, 0, 0, 0, 170, 0, 10, 160, 0, 170, 170, 170, 170, 170, 170, 10,  
10, 170, 147, 204, 204, 204, 204, 204, 204, 204, 195, 170, 170, 170, 170, 170, 170,  
170, 161, 204,  
204, 204, 204, 204, 204, 204, 193, 170, 170, 170, 170, 169, 204, 204, 204, 204, 204,  
204, 204, 193,  
170, 170, 10, 170, 170, 170, 170, 170, 170, 161, 204, 204, 204, 204, 204, 204,  
204, 204, 204,  
60, 204, 204, 204, 204, 195, 204, 204, 60, 204, 26, 170, 170, 170, 170, 170, 170,  
170, 170, 161,  
204, 204, 204, 204, 204, 204, 204, 201, 170, 170, 170, 170, 170, 170, 170, 19, 204,  
204, 204, 204,  
204, 204, 204, 195, 204, 195, 170, 170, 170, 160, 10, 10, 10, 0, 0, 0, 0, 160, 170,  
170,  
170, 170, 170, 170, 170, 160, 10, 170, 10, 160, 10, 10, 10, 160, 0, 0, 170, 0, 160,  
170,  
160, 160, 0, 170, 34, 34, 34, 34, 34, 34, 146, 160, 160, 10, 0, 160, 10, 0, 160, 160,

0,  
0,  
0,  
0, 0, 0, 0, 0, 0, 0, 0, 0, 0, 0, 0, 0, 0, 0, 0, 0, 0, 0, 169,  
34, 146, 41, 34, 146, 34, 41, 34, 34, 34, 34, 34, 34, 73, 10, 0, 0, 0, 160, 10,  
10, 170, 160, 0, 0, 0, 170, 170, 160, 170, 10, 160, 10, 160, 0, 10, 10, 160, 160, 160,  
160, 170, 160, 170, 160, 0, 0, 9, 204, 204, 204, 204, 204, 195, 204, 204, 74, 10, 0,  
160,  
160, 0, 0, 170, 170, 170, 170, 170, 0, 170, 160, 10, 170, 0, 0, 10, 170, 10, 0, 170,  
170, 170, 163, 204, 204, 204, 195, 204, 204, 195, 195, 170, 170, 170, 170, 170, 170,  
170, 170, 60,  
204, 204, 204, 204, 204, 204, 195, 170, 170, 170, 170, 163, 204, 204, 204, 204, 204,  
204, 204, 58,  
170, 170, 170, 170, 170, 170, 170, 170, 170, 169, 204, 204, 204, 204, 204, 195, 204,  
204, 204, 204,  
204, 204, 60, 204, 204, 204, 204, 204, 204, 204, 26, 170, 170, 170, 170, 170, 170,  
170, 170, 169,  
204, 195, 204, 204, 204, 204, 204, 201, 170, 169, 170, 170, 169, 84, 60, 204, 204,  
204, 204, 195,  
204, 204, 204, 204, 204, 193, 170, 170, 160, 10, 160, 160, 160, 170, 170, 170, 170,  
10, 0, 0,  
0, 170, 170, 170, 160, 10, 160, 0, 160, 10, 160, 160, 160, 10, 170, 170, 0, 170, 10, 0,  
10, 10, 170, 170, 169, 34, 34, 34, 34, 34, 34, 41, 34, 146, 41, 34, 146, 41, 42, 160,  
0,  
0,  
0,  
0, 0, 0, 0, 0, 0, 0, 0, 0, 0, 0, 0, 0, 0, 0, 0, 0, 0, 0, 173,  
34, 34, 34, 34, 34, 34, 34, 34, 34, 34, 34, 34, 45, 34, 170, 0, 0, 10, 170, 10, 160,  
160, 0, 10, 170, 170, 170, 0, 0, 10, 0, 160, 10, 160, 10, 170, 160, 160, 10, 10, 10,  
10, 0, 10, 0, 10, 170, 170, 161, 204, 195, 204, 60, 204, 204, 204, 204, 26, 0, 170, 10,  
10, 170, 170, 0, 0, 0, 0, 0, 170, 0, 10, 160, 0, 170, 170, 160, 10, 0, 0, 160,  
170, 170, 163, 204, 60, 204, 204, 204, 204, 204, 204, 154, 170, 170, 170, 170, 170,  
170, 160, 156,

204, 204, 204, 204, 204, 204, 195, 154, 170, 170, 170, 156, 204, 204, 204, 204, 204,  
204, 204, 154,  
170, 170, 170, 170, 170, 170, 170, 170, 170, 170, 161, 204, 204, 204, 204, 204, 204, 204,  
204, 204, 204,  
204, 204, 204, 204, 204, 60, 204, 204, 204, 204, 26, 170, 170, 170, 170, 170, 170,  
170, 170, 161,  
204, 204, 204, 60, 204, 195, 204, 195, 204, 51, 195, 204, 204, 204, 204, 204, 204,  
204, 60, 204,  
204, 60, 204, 60, 204, 74, 170, 170, 170, 160, 10, 10, 10, 0, 0, 0, 0, 160, 170, 170,  
170, 170, 160, 0, 10, 160, 10, 170, 10, 160, 10, 10, 10, 160, 0, 0, 170, 0, 160, 170,  
160, 160, 0, 10, 170, 34, 34, 34, 34, 34, 34, 34, 34, 34, 34, 34, 34, 34, 34, 160,  
0,  
0, 0, 0, 0, 0, 0, 0, 0, 0, 0, 0, 0, 0, 0, 0, 0, 0, 0, 0,  
0, 0, 0, 0, 0, 0, 0, 0, 0, 0, 0, 0, 0, 0, 0, 0, 0, 0, 0,  
0, 0, 0, 0, 0, 0, 0, 0, 0, 0, 0, 0, 0, 0, 0, 0, 0, 0, 173,  
34, 34, 34, 34, 34, 34, 34, 34, 34, 34, 34, 34, 153, 170, 0, 160, 160, 0, 160, 10,  
10, 170, 160, 0, 0, 0, 170, 170, 160, 170, 10, 160, 10, 160, 0, 10, 10, 160, 160, 160,  
160, 170, 160, 170, 160, 0, 0, 1, 204, 204, 204, 204, 204, 60, 204, 204, 154, 170, 0,  
160,  
160, 0, 0, 170, 170, 170, 170, 170, 0, 170, 160, 10, 170, 0, 0, 10, 160, 160, 170, 170,  
170, 170, 164, 204, 204, 204, 204, 204, 195, 204, 195, 154, 170, 170, 170, 170, 170,  
170, 170, 163,  
204, 204, 204, 204, 204, 204, 204, 26, 10, 170, 170, 60, 204, 204, 204, 204, 204,  
204, 195, 170,  
170, 170, 170, 170, 170, 170, 170, 170, 170, 161, 204, 204, 204, 204, 204, 204, 204,  
204, 195, 204,  
204, 204, 204, 195, 204, 204, 204, 204, 60, 204, 26, 170, 170, 170, 170, 170, 170,  
170, 170, 161,  
204, 204, 204, 204, 204, 204, 204, 204, 204, 204, 204, 204, 204, 204, 204, 204,  
204, 204, 204,  
204, 204, 204, 204, 195, 170, 170, 170, 0, 10, 160, 160, 160, 170, 170, 170, 170, 10,  
0, 0,  
0, 0, 10, 170, 160, 10, 160, 0, 160, 10, 160, 160, 160, 10, 170, 170, 0, 170, 10, 0,

10, 10, 170, 0, 10, 169, 34, 34, 34, 34, 34, 34, 34, 34, 34, 34, 34, 34, 34, 34, 34, 0,  
0,  
0,  
0,  
0, 0, 0, 0, 0, 0, 0, 0, 0, 0, 0, 0, 0, 0, 0, 0, 0, 0, 0, 169,  
34, 34, 34, 34, 34, 34, 34, 34, 34, 34, 34, 34, 34, 34, 160, 0, 0, 10, 10, 170, 10, 160,  
160, 0, 10, 170, 170, 170, 0, 0, 10, 0, 160, 10, 160, 10, 170, 160, 160, 10, 10, 10,  
10, 0, 10, 0, 10, 170, 170, 161, 204, 204, 204, 204, 204, 204, 204, 204, 195, 144, 0, 170,  
10,  
10, 170, 170, 0, 0, 0, 0, 0, 170, 0, 10, 160, 0, 170, 170, 160, 10, 10, 0, 170,  
160, 170, 161, 204, 204, 204, 60, 204, 204, 204, 195, 26, 170, 170, 170, 170, 170,  
170, 170, 169,  
204, 204, 204, 204, 204, 204, 60, 57, 170, 170, 169, 204, 204, 204, 204, 204, 204,  
204, 201, 170,  
170, 170, 170, 170, 170, 170, 170, 170, 170, 170, 169, 204, 195, 204, 204, 204, 204, 195,  
204, 204, 204,  
60, 204, 204, 204, 204, 204, 204, 204, 204, 204, 26, 170, 170, 170, 170, 170, 170,  
170, 170, 161,  
204, 204, 204, 204, 204, 60, 204, 204, 204, 204, 204, 204, 204, 204, 204, 195, 204,  
204, 204, 204,  
195, 204, 204, 204, 58, 170, 170, 0, 170, 160, 10, 10, 10, 0, 0, 0, 0, 160, 170, 170,  
170, 170, 160, 0, 10, 160, 10, 170, 10, 160, 10, 10, 10, 160, 0, 0, 170, 0, 160, 170,  
160, 160, 0, 160, 0, 0, 146, 34, 34, 34, 34, 34, 34, 34, 34, 34, 34, 34, 34, 0,  
0,  
0,  
0,  
0, 0, 0, 0, 0, 0, 0, 0, 0, 0, 0, 0, 0, 0, 0, 0, 0, 0, 0, 173,  
34, 34, 34, 34, 34, 34, 34, 34, 34, 34, 34, 34, 34, 41, 0, 0, 170, 160, 160, 0, 160, 10,  
10, 170, 160, 0, 0, 0, 170, 170, 160, 170, 10, 160, 10, 160, 0, 10, 10, 160, 160, 160,  
160, 170, 160, 170, 160, 0, 0, 9, 204, 204, 60, 204, 204, 204, 204, 204, 154, 160, 0,  
160,  
160, 0, 0, 170, 170, 170, 170, 170, 0, 170, 160, 10, 170, 0, 0, 10, 160, 160, 170, 170,

170, 170, 164, 204, 195, 204, 204, 204, 204, 204, 195, 154, 170, 170, 170, 170, 170,  
170, 170, 170,  
76, 204, 204, 204, 204, 204, 204, 201, 170, 170, 164, 204, 204, 204, 204, 204, 204,  
204, 58, 170,  
170, 170, 170, 170, 170, 170, 170, 170, 170, 161, 204, 204, 204, 204, 204, 204, 204,  
204, 204, 204,  
204, 195, 204, 204, 204, 204, 195, 204, 204, 204, 74, 170, 170, 170, 170, 170, 170,  
170, 170, 169,  
204, 195, 204, 60, 204, 204, 204, 196, 204, 204, 204, 60, 204, 204, 60, 204, 204, 60,  
204, 204,  
204, 204, 204, 196, 170, 170, 160, 170, 0, 10, 160, 160, 160, 170, 170, 170, 170, 10,  
0, 0,  
0, 0, 10, 170, 160, 10, 160, 0, 160, 10, 160, 160, 160, 10, 170, 170, 0, 170, 10, 0,  
10, 10, 170, 10, 170, 0, 146, 34, 34, 34, 34, 34, 34, 34, 34, 34, 34, 34, 34, 34, 0,  
0,  
0,  
0,  
0, 0, 0, 0, 0, 0, 0, 0, 0, 0, 0, 0, 0, 0, 0, 0, 0, 0, 0, 173,  
34, 34, 34, 34, 34, 34, 34, 34, 34, 34, 34, 34, 34, 154, 10, 0, 10, 10, 170, 10, 160,  
160, 0, 10, 170, 170, 170, 0, 0, 10, 0, 160, 10, 160, 10, 170, 160, 160, 10, 10, 10,  
10, 0, 10, 0, 10, 170, 170, 161, 204, 204, 204, 204, 60, 204, 195, 204, 170, 170, 170,  
10,  
10, 170, 170, 0, 0, 0, 0, 0, 170, 0, 10, 160, 0, 170, 170, 160, 10, 10, 0, 170,  
170, 170, 161, 204, 204, 204, 204, 195, 204, 204, 204, 154, 170, 170, 170, 170, 170,  
170, 170, 170,  
92, 204, 204, 204, 204, 204, 204, 195, 170, 170, 147, 204, 204, 204, 204, 204, 204,  
204, 154, 170,  
170, 170, 170, 170, 170, 170, 170, 170, 170, 161, 204, 204, 204, 204, 204, 204, 204,  
204, 195, 204,  
204, 204, 204, 195, 204, 204, 204, 204, 195, 204, 26, 170, 170, 170, 170, 170, 170,  
170, 170, 161,  
204, 204, 204, 204, 204, 204, 204, 201, 28, 60, 204, 204, 204, 204, 204, 204, 204,  
204, 204, 60,

204, 204, 204, 154, 160, 160, 10, 0, 170, 160, 10, 10, 10, 0, 0, 0, 0, 160, 170, 170,  
170, 170, 160, 0, 10, 160, 10, 170, 10, 160, 10, 10, 10, 160, 0, 0, 170, 0, 160, 170,  
160, 160, 0, 160, 0, 170, 34, 34, 34, 34, 34, 34, 34, 34, 34, 34, 34, 34, 34, 0,  
0,  
0,  
0,  
0, 0, 0, 0, 0, 0, 0, 0, 0, 0, 0, 0, 0, 0, 0, 0, 0, 0, 0, 169,  
34, 34, 34, 34, 34, 34, 34, 34, 34, 34, 34, 34, 34, 34, 34, 41, 160, 10, 160, 160, 0, 160, 10,  
10, 170, 160, 0, 0, 0, 170, 170, 160, 170, 10, 160, 10, 160, 0, 10, 10, 160, 160, 160,  
160, 170, 160, 170, 160, 0, 0, 1, 204, 204, 204, 204, 204, 204, 204, 204, 26, 0, 0,  
160,  
160, 0, 0, 170, 170, 170, 170, 170, 0, 170, 160, 10, 170, 0, 0, 10, 160, 160, 170, 170,  
170, 160, 163, 204, 204, 204, 204, 204, 204, 195, 195, 154, 170, 170, 170, 170, 170,  
170, 170, 170,  
164, 204, 60, 204, 204, 204, 204, 60, 154, 170, 76, 204, 204, 204, 204, 204, 204,  
196, 170, 170,  
170, 170, 170, 170, 170, 170, 170, 170, 170, 169, 204, 204, 204, 204, 204, 204, 204,  
204, 204, 204,  
204, 60, 204, 204, 204, 204, 204, 204, 204, 204, 26, 170, 170, 170, 170, 170, 170,  
170, 170, 161,  
204, 204, 204, 204, 204, 204, 204, 57, 163, 204, 204, 204, 195, 204, 204, 204, 204,  
204, 204, 204,  
204, 204, 74, 170, 10, 10, 160, 170, 0, 10, 160, 160, 160, 170, 170, 170, 170, 10, 0,  
0,  
0, 0, 10, 170, 160, 10, 160, 0, 160, 10, 160, 160, 160, 10, 170, 170, 0, 170, 10, 0,  
10, 10, 170, 10, 170, 146, 34, 34, 34, 34, 34, 34, 34, 34, 34, 34, 34, 34, 34, 34, 0,  
0,  
0,  
0,  
0, 0, 0, 0, 0, 0, 0, 0, 0, 0, 0, 0, 0, 0, 0, 0, 0, 0, 0, 4,  
34, 34, 34, 34, 34, 34, 34, 34, 34, 34, 34, 34, 34, 34, 34, 26, 0, 0, 10, 170, 10, 160,  
160, 0, 10, 170, 170, 170, 0, 0, 10, 0, 160, 10, 160, 10, 170, 160, 160, 10, 10, 10,



10, 0, 10, 0, 10, 170, 170, 169, 204, 204, 204, 204, 204, 195, 204, 204, 64, 160, 170,  
10,  
10, 170, 170, 0, 0, 0, 0, 0, 170, 0, 10, 0, 0, 170, 170, 160, 10, 10, 0, 170,  
170, 170, 163, 60, 204, 204, 195, 204, 204, 204, 204, 154, 170, 170, 170, 170, 170,  
170, 170, 170,  
9, 204, 204, 204, 204, 204, 204, 204, 74, 169, 60, 204, 204, 204, 204, 204, 204, 201,  
170, 170,  
170, 170, 170, 170, 170, 170, 170, 170, 170, 161, 204, 195, 204, 204, 204, 204, 204,  
204, 204, 204,  
204, 204, 204, 204, 204, 60, 204, 195, 204, 204, 64, 170, 170, 170, 170, 170, 170,  
170, 170, 161,  
204, 195, 204, 204, 204, 60, 204, 201, 170, 60, 204, 204, 204, 204, 195, 204, 195,  
204, 195, 204,  
195, 73, 170, 160, 0, 160, 10, 0, 170, 160, 10, 10, 10, 0, 0, 0, 0, 160, 170, 170,  
170, 170, 160, 0, 10, 160, 10, 170, 10, 160, 10, 10, 10, 160, 0, 0, 170, 0, 160, 170,  
160, 160, 0, 160, 9, 34, 34, 34, 34, 34, 34, 34, 34, 34, 34, 34, 34, 34, 34, 0,  
0,  
0,  
0,  
0, 0, 0, 0, 0, 0, 0, 0, 0, 0, 0, 0, 0, 0, 0, 0, 0, 0, 0, 1,  
41, 41, 41, 41, 41, 41, 41, 34, 34, 34, 34, 45, 34, 34, 170, 160, 160, 0, 160, 10,  
10, 170, 160, 0, 0, 0, 170, 170, 160, 170, 10, 160, 10, 160, 0, 10, 10, 160, 160, 160,  
160, 170, 160, 170, 160, 0, 0, 9, 204, 195, 204, 60, 204, 204, 204, 204, 48, 170, 0,  
160,  
160, 0, 0, 170, 170, 170, 170, 170, 0, 170, 170, 170, 170, 0, 0, 10, 160, 160, 170, 0,  
0, 0, 147, 204, 204, 60, 204, 204, 204, 60, 195, 170, 170, 170, 170, 170, 170, 170,  
170, 170,  
170, 51, 204, 204, 204, 204, 195, 204, 201, 161, 204, 204, 204, 204, 204, 204, 204,  
74, 170, 170,  
170, 170, 170, 170, 170, 170, 170, 170, 170, 161, 204, 204, 204, 204, 204, 204, 204,  
195, 51, 51,  
51, 51, 51, 51, 51, 51, 51, 51, 51, 51, 51, 154, 170, 170, 170, 170, 170, 170, 170,  
169,

204, 204, 204, 195, 204, 204, 204, 201, 170, 19, 204, 195, 204, 204, 204, 204, 204,  
204, 204, 52,

25, 170, 0, 10, 170, 10, 160, 170, 0, 10, 160, 160, 160, 170, 170, 170, 170, 10, 0, 0,  
0, 0, 10, 170, 160, 10, 160, 0, 160, 10, 160, 160, 160, 10, 170, 170, 0, 170, 10, 0,  
10, 10, 170, 10, 146, 34, 34, 34, 34, 34, 34, 146, 146, 146, 146, 146, 146, 146, 146,  
160,

0,  
0,  
0,  
0, 0, 0, 0, 0, 0, 0, 0, 0, 0, 0, 0, 0, 0, 0, 0, 0, 0, 10,  
170, 170, 170, 170, 169, 170, 170, 146, 34, 34, 34, 34, 45, 34, 74, 170, 0, 170, 10,  
160,

160, 0, 10, 170, 170, 170, 0, 0, 10, 0, 160, 10, 160, 10, 170, 160, 160, 10, 10, 10,  
10, 0, 10, 0, 10, 170, 170, 169, 60, 204, 204, 204, 204, 60, 204, 204, 58, 160, 170,  
10,

10, 170, 170, 0, 0, 0, 0, 0, 170, 170, 170, 170, 170, 10, 170, 160, 10, 10, 0, 170,  
170, 170, 19, 204, 204, 204, 204, 204, 204, 204, 195, 170, 170, 170, 170, 170, 170,  
170, 170, 170,

170, 156, 204, 204, 204, 204, 204, 204, 193, 172, 204, 204, 204, 204, 204, 204, 204,  
170, 170, 170,  
170, 170, 170, 170, 170, 170, 170, 170, 170, 169, 204, 204, 204, 204, 204, 204, 204,  
195, 169, 169,

169, 169, 169, 169, 169, 169, 169, 169, 169, 169, 170, 170, 170, 170, 170, 170, 170,  
170, 170, 161,  
204, 204, 204, 204, 204, 204, 195, 201, 170, 4, 204, 204, 204, 204, 204, 204, 60,  
204, 204, 201,

0, 0, 10, 160, 0, 160, 10, 0, 170, 160, 10, 10, 10, 0, 0, 0, 0, 160, 170, 170,  
170, 170, 160, 0, 10, 160, 10, 170, 10, 160, 10, 10, 10, 160, 0, 0, 170, 0, 160, 170,  
160, 160, 0, 169, 34, 34, 34, 34, 34, 34, 42, 170, 154, 170, 154, 170, 154, 170, 154,  
0,

0,  
0,  
0, 0, 0, 0, 0, 0, 0, 0, 0, 0, 0, 0, 0, 0, 0, 0, 0, 0, 0, 0,

0,  
10, 170, 170, 170, 170, 10, 170, 160, 1, 34, 34, 34, 34, 45, 34, 170, 160, 0, 160, 10,  
10, 170, 160, 0, 0, 0, 170, 170, 160, 170, 10, 160, 10, 160, 0, 10, 10, 160, 160, 160,  
160, 170, 160, 170, 160, 0, 0, 10, 60, 204, 204, 204, 204, 204, 204, 204, 193, 170, 0,  
160,  
160, 0, 0, 170, 170, 170, 170, 170, 170, 170, 170, 170, 170, 0, 0, 10, 160, 160, 170,  
0,  
0, 0, 76, 204, 204, 204, 204, 204, 60, 204, 196, 170, 170, 170, 170, 170, 170, 170,  
170, 170,  
170, 163, 204, 204, 204, 204, 204, 204, 204, 76, 204, 204, 204, 204, 204, 204, 196,  
170, 170, 170,  
170, 170, 170, 170, 170, 170, 170, 170, 170, 161, 204, 195, 204, 204, 204, 204, 204,  
196, 170, 170,  
170, 170, 170, 170, 170, 170, 170, 170, 170, 170, 170, 170, 170, 170, 170, 170, 170,  
170, 170, 161,  
204, 195, 204, 204, 204, 204, 204, 204, 201, 160, 0, 76, 204, 204, 60, 204, 204, 204, 204,  
204, 195,  
160, 160, 160, 10, 170, 10, 160, 170, 0, 10, 160, 160, 160, 170, 170, 170, 170, 10, 0,  
0,  
0, 0, 10, 170, 160, 10, 160, 0, 160, 10, 160, 160, 160, 10, 170, 170, 0, 170, 10, 0,  
10, 10, 170, 34, 34, 34, 34, 34, 34, 153, 170, 170, 170, 170, 170, 170, 170, 170, 170,  
0,  
0,  
0,  
0,  
0,  
0, 10, 170, 170, 170, 10, 10, 0, 10, 34, 34, 45, 34, 34, 34, 74, 160, 10, 10, 160,  
160, 0, 10, 170, 170, 170, 0, 0, 10, 0, 160, 10, 160, 10, 170, 160, 160, 10, 10, 10,  
10, 0, 10, 0, 10, 170, 170, 170, 76, 204, 204, 204, 195, 204, 204, 195, 195, 170, 160,  
10,  
10, 170, 170, 0, 0, 10, 170, 170, 170, 170, 170, 170, 170, 10, 170, 160, 10, 10, 0,  
170,

170, 169, 60, 204, 204, 60, 204, 204, 204, 204, 193, 170, 160, 170, 170, 170, 170,  
170, 170, 170,  
170, 169, 60, 204, 204, 195, 204, 204, 204, 204, 204, 204, 204, 204, 204, 204, 57,  
170, 170, 170,  
170, 170, 170, 170, 170, 170, 170, 170, 170, 161, 204, 204, 204, 204, 204, 204, 204,  
195, 170, 170,  
170, 170, 170, 170, 170, 170, 170, 170, 170, 170, 170, 170, 170, 170, 170, 170, 170,  
170, 170, 169,  
204, 204, 204, 195, 204, 195, 204, 201, 10, 160, 163, 204, 204, 204, 204, 195, 204,  
204, 204, 204,  
48, 10, 10, 160, 0, 160, 10, 0, 170, 160, 10, 10, 10, 0, 0, 0, 160, 170, 170,  
170, 170, 160, 0, 10, 160, 10, 170, 10, 160, 10, 10, 10, 160, 0, 0, 170, 0, 160, 170,  
160, 160, 169, 34, 34, 34, 34, 34, 34, 170, 170, 170, 0, 170, 160, 170, 0, 170, 0, 0,  
0,  
0,  
0,  
0,  
0, 0, 0, 10, 0, 0, 0, 0, 0, 1, 34, 34, 45, 45, 45, 34, 154, 0, 160, 10,  
10, 170, 160, 0, 0, 0, 170, 170, 160, 170, 10, 160, 10, 160, 0, 10, 10, 160, 160, 160,  
160, 170, 160, 170, 160, 0, 0, 10, 19, 204, 195, 204, 204, 204, 204, 204, 195, 154,  
160, 160,  
160, 0, 0, 170, 170, 170, 170, 170, 170, 170, 170, 170, 170, 0, 0, 10, 160, 160, 170,  
0,  
0, 161, 204, 204, 204, 204, 204, 60, 204, 204, 57, 10, 10, 170, 170, 170, 170, 10,  
170, 170,  
170, 170, 60, 204, 204, 204, 204, 204, 195, 204, 204, 204, 204, 204, 204, 74,  
170, 170, 170,  
170, 170, 170, 170, 170, 170, 170, 170, 170, 169, 204, 204, 204, 204, 204, 204, 204,  
196, 170, 170,  
170, 170, 170, 170, 170, 170, 170, 170, 170, 170, 170, 170, 170, 170, 170, 170,  
170, 170, 161,  
204, 204, 204, 204, 204, 204, 204, 201, 160, 10, 10, 204, 195, 204, 204, 204, 204,  
204, 60, 204,

196, 0, 160, 10, 170, 10, 160, 170, 0, 10, 160, 160, 160, 170, 170, 170, 170, 10, 0, 0,  
0, 0, 10, 170, 160, 10, 160, 0, 160, 10, 160, 160, 160, 10, 170, 170, 0, 170, 10, 0,  
10, 170, 34, 34, 34, 34, 34, 34, 154, 170, 170, 0, 0, 0, 0, 0, 0, 0, 0,  
0,  
0,  
0,  
0,  
0, 0, 0, 0, 0, 0, 0, 0, 10, 162, 34, 34, 34, 34, 34, 73, 0, 0, 160,  
160, 0, 10, 170, 170, 170, 0, 0, 10, 0, 160, 10, 160, 10, 170, 160, 160, 10, 10, 10,  
10, 0, 10, 0, 10, 170, 170, 160, 147, 204, 204, 204, 60, 204, 204, 204, 204, 58, 170,  
10,  
10, 170, 170, 0, 0, 170, 170, 170, 170, 170, 170, 170, 170, 170, 170, 170, 160, 10, 10, 0,  
170,  
170, 172, 204, 60, 204, 204, 204, 204, 204, 204, 48, 170, 160, 170, 170, 170, 170,  
170, 170, 170,  
170, 170, 156, 204, 60, 204, 204, 60, 204, 204, 60, 204, 204, 204, 204, 195, 154,  
170, 170, 170,  
170, 170, 170, 170, 170, 170, 170, 170, 170, 161, 204, 195, 204, 204, 204, 204, 204,  
195, 170, 170,  
170, 170, 170, 170, 170, 170, 170, 170, 170, 170, 170, 170, 170, 170, 170, 170, 170,  
170, 170, 161,  
204, 204, 204, 204, 204, 204, 204, 204, 201, 10, 160, 10, 156, 204, 204, 204, 204, 204,  
204, 204, 204,  
204, 26, 160, 160, 0, 160, 10, 0, 170, 160, 10, 10, 10, 0, 0, 0, 0, 160, 170, 170,  
170, 170, 160, 0, 10, 160, 10, 170, 10, 160, 10, 10, 10, 160, 0, 0, 170, 0, 160, 170,  
160, 161, 34, 34, 34, 34, 34, 41, 170, 10, 160, 0, 0, 0, 0, 0, 0, 0, 0,  
0,  
0,  
0,  
0,  
0, 0, 0, 0, 0, 0, 0, 0, 0, 170, 45, 34, 210, 210, 210, 34, 154, 160, 0,  
10, 170, 160, 0, 0, 0, 170, 170, 160, 170, 10, 160, 10, 160, 0, 10, 10, 160, 160, 160,

160, 170, 160, 170, 160, 0, 0, 10, 3, 204, 204, 204, 204, 204, 195, 204, 204, 193,  
160, 160,  
160, 0, 0, 170, 170, 170, 170, 170, 170, 170, 170, 170, 170, 170, 170, 0, 10, 160, 160,  
170, 0,  
0, 76, 204, 204, 204, 204, 60, 204, 204, 60, 26, 170, 10, 170, 170, 170, 170, 170, 10,  
170,  
170, 170, 163, 204, 204, 204, 204, 204, 204, 204, 204, 204, 204, 204, 204, 196, 170,  
160, 170, 170,  
170, 170, 170, 170, 170, 170, 170, 170, 170, 161, 204, 204, 204, 204, 204, 204, 204,  
196, 170, 170,  
170, 170, 170, 170, 170, 170, 170, 170, 170, 170, 170, 170, 170, 170, 170, 170, 170,  
170, 170, 169,  
204, 195, 204, 195, 204, 204, 195, 201, 160, 10, 170, 1, 204, 204, 195, 204, 195,  
204, 204, 60,  
204, 57, 170, 10, 170, 10, 160, 170, 0, 10, 160, 160, 160, 170, 170, 170, 170, 10, 0,  
0,  
0, 0, 10, 170, 160, 10, 160, 0, 160, 10, 160, 160, 160, 10, 170, 170, 0, 170, 10, 0,  
170, 34, 34, 34, 34, 34, 34, 154, 170, 0, 0, 0, 0, 0, 0, 0, 0, 0, 0,  
0,  
0,  
0,  
0,  
0, 0, 0, 0, 0, 0, 0, 0, 0, 0, 162, 34, 34, 34, 34, 210, 73, 0, 160,  
160, 0, 10, 170, 170, 170, 0, 0, 10, 0, 160, 10, 160, 10, 170, 160, 160, 10, 10, 10,  
10, 0, 10, 0, 10, 170, 170, 160, 1, 204, 204, 204, 204, 204, 204, 204, 204, 51, 144,  
10,  
10, 170, 170, 0, 0, 170, 170, 170, 170, 170, 170, 170, 170, 170, 10, 0, 10, 10, 0, 170,  
161, 204, 204, 204, 195, 204, 204, 204, 204, 204, 170, 170, 0, 170, 170, 170, 170,  
170, 170, 170,  
170, 170, 10, 204, 204, 204, 204, 204, 204, 204, 204, 204, 204, 204, 204, 202, 170,  
160, 10, 170,  
170, 170, 170, 170, 170, 170, 170, 170, 170, 169, 204, 204, 204, 204, 204, 204, 204,  
195, 170, 170,







170, 170, 170, 170, 170, 170, 170, 170, 170, 170, 169, 204, 204, 204, 204, 204, 204, 204,  
195, 0, 10,  
170, 170, 170, 170, 170, 160, 10, 10, 10, 10, 10, 10, 10, 0, 0, 10, 10, 10, 10, 161,  
204, 204, 204, 204, 60, 204, 204, 57, 170, 10, 170, 10, 0, 28, 204, 204, 204, 204,  
204, 204,  
195, 204, 204, 26, 170, 10, 160, 170, 0, 10, 160, 160, 160, 170, 170, 170, 170, 10, 0,  
0,  
0, 0, 10, 170, 160, 10, 160, 0, 160, 10, 160, 160, 160, 10, 170, 170, 0, 170, 170, 34,  
34, 34, 34, 34, 34, 0, 0, 0, 0, 0, 0, 0, 0, 0, 0, 0, 0, 0, 0, 0, 0,  
0,  
0,  
0,  
0, 0, 0, 0, 0, 0, 0, 0, 0, 0, 0, 0, 162, 45, 45, 210, 45, 221, 25,  
0, 0, 10, 170, 170, 170, 0, 0, 10, 0, 160, 10, 160, 10, 170, 160, 160, 10, 10, 10,  
10, 0, 10, 0, 10, 170, 170, 160, 0, 9, 204, 204, 195, 204, 204, 204, 204, 195, 204,  
195,  
170, 0, 160, 0, 0, 170, 170, 170, 170, 170, 170, 170, 170, 170, 170, 160, 10, 10, 9,  
60,  
204, 204, 204, 204, 204, 60, 204, 204, 195, 170, 160, 170, 0, 170, 170, 170, 170,  
170, 170, 170,  
170, 160, 170, 9, 204, 204, 204, 204, 204, 204, 204, 204, 204, 204, 58, 170, 170,  
170, 170, 170,  
170, 170, 170, 170, 170, 170, 170, 170, 170, 161, 204, 204, 204, 204, 204, 204, 204,  
196, 160, 0,  
160, 170, 170, 170, 170, 160, 0, 0, 0, 0, 0, 0, 0, 10, 10, 160, 160, 160, 160, 9,  
204, 204, 204, 204, 204, 204, 204, 201, 160, 160, 0, 160, 160, 4, 204, 204, 204, 204,  
204, 204,  
204, 204, 204, 201, 160, 160, 10, 0, 170, 160, 10, 10, 10, 0, 0, 0, 0, 160, 170, 170,  
170, 170, 160, 0, 10, 160, 10, 170, 10, 160, 10, 10, 10, 160, 0, 0, 170, 0, 169, 34,  
34, 34, 34, 34, 42, 160, 0, 0, 0, 0, 0, 0, 0, 0, 0, 0, 0, 0, 0, 0, 0,  
0,  
0, 0, 0, 0, 0, 0, 0, 0, 0, 0, 0, 0, 0, 0, 0, 0, 0, 0, 0, 0,

0,  
0,  
0, 0, 0, 0, 0, 0, 0, 0, 0, 0, 0, 0, 0, 160, 34, 34, 45, 210, 34, 34,  
154, 0, 160, 0, 0, 0, 170, 170, 160, 170, 10, 160, 10, 160, 0, 10, 10, 160, 160, 160,  
160, 170, 160, 170, 160, 0, 0, 10, 170, 10, 76, 204, 204, 204, 204, 60, 204, 204, 204,  
195,  
49, 0, 170, 170, 170, 0, 0, 0, 0, 0, 10, 170, 170, 0, 0, 10, 160, 170, 28, 204,  
204, 195, 204, 204, 204, 204, 204, 204, 193, 170, 170, 0, 170, 170, 170, 170, 170,  
170, 170, 170,  
170, 170, 0, 170, 76, 204, 204, 204, 204, 204, 204, 204, 204, 204, 204, 26, 170, 170, 10,  
170, 170,  
170, 170, 170, 170, 170, 170, 170, 170, 170, 161, 204, 195, 204, 204, 204, 204, 204,  
195, 0, 170,  
170, 170, 170, 170, 170, 160, 10, 0, 160, 160, 160, 160, 160, 160, 160, 10, 10, 10,  
10, 161,  
204, 204, 60, 204, 204, 204, 60, 201, 170, 10, 170, 10, 10, 0, 76, 204, 204, 204, 195,  
204,  
204, 195, 204, 204, 154, 10, 0, 170, 0, 10, 160, 160, 160, 170, 170, 170, 170, 10, 0,  
0,  
0, 0, 10, 170, 160, 10, 160, 0, 160, 10, 160, 160, 160, 10, 170, 170, 0, 170, 34, 34,  
34, 34, 34, 34, 10, 160, 0, 0, 0, 0, 0, 0, 0, 0, 0, 0, 0, 0, 0, 0, 0, 0,  
0,  
0,  
0,  
0,  
0, 0, 0, 0, 0, 0, 0, 0, 0, 0, 0, 0, 0, 162, 210, 210, 34, 210, 210,  
25, 10, 10, 10, 170, 170, 0, 0, 10, 0, 160, 10, 160, 10, 170, 160, 160, 10, 10, 10,  
10, 0, 10, 0, 10, 170, 170, 160, 0, 160, 147, 204, 60, 204, 204, 204, 204, 60, 204,  
204,  
204, 74, 160, 0, 0, 170, 170, 170, 170, 170, 170, 170, 170, 10, 170, 160, 10, 147,  
204, 204,  
204, 204, 204, 204, 204, 204, 204, 195, 74, 170, 160, 170, 0, 170, 170, 170, 170,  
170, 170, 170,

170, 170, 10, 0, 19, 204, 204, 204, 204, 204, 204, 204, 204, 195, 170, 170, 170, 170,  
170, 170,  
170, 170, 170, 170, 170, 170, 170, 170, 170, 169, 204, 204, 204, 204, 204, 204, 204,  
196, 160, 0,  
170, 170, 170, 170, 170, 0, 0, 170, 10, 10, 10, 10, 10, 10, 10, 160, 160, 160, 160, 9,  
204, 204, 204, 204, 60, 204, 204, 201, 160, 160, 0, 160, 160, 160, 163, 204, 195,  
204, 204, 204,  
204, 204, 204, 195, 57, 10, 160, 0, 170, 160, 10, 10, 10, 0, 0, 0, 0, 160, 170, 170,  
170, 170, 160, 0, 10, 160, 10, 170, 10, 160, 10, 10, 10, 160, 0, 0, 170, 169, 34, 34,  
34, 34, 34, 42, 170, 0, 0, 0, 0, 0, 0, 0, 0, 0, 0, 0, 0, 0, 0, 0, 0,  
0,  
0,  
0,  
0,  
0, 0, 0, 0, 0, 0, 0, 0, 0, 0, 0, 0, 0, 160, 34, 210, 210, 45, 45,  
34, 170, 170, 160, 0, 0, 170, 170, 160, 170, 10, 160, 10, 160, 0, 10, 10, 160, 160,  
160,  
160, 170, 160, 170, 160, 0, 0, 10, 170, 10, 1, 204, 204, 204, 195, 204, 204, 204, 204,  
204,  
204, 195, 64, 170, 160, 0, 0, 0, 0, 0, 10, 170, 170, 160, 0, 10, 163, 60, 204, 195,  
204, 204, 204, 204, 204, 60, 204, 195, 154, 170, 10, 0, 170, 170, 170, 170, 170, 170,  
170, 170,  
170, 170, 0, 170, 3, 204, 204, 204, 204, 204, 204, 204, 204, 193, 170, 170, 10, 170,  
170, 170,  
170, 170, 170, 170, 170, 170, 170, 170, 170, 161, 204, 204, 204, 204, 204, 204, 204,  
195, 0, 170,  
170, 170, 170, 170, 170, 160, 10, 0, 160, 160, 0, 160, 0, 160, 0, 10, 10, 10, 10, 161,  
204, 204, 204, 204, 204, 204, 204, 201, 160, 10, 170, 10, 10, 10, 169, 60, 204, 204,  
60, 204,  
60, 204, 204, 204, 196, 170, 160, 170, 0, 10, 160, 160, 160, 170, 170, 170, 170, 10,  
0, 0,  
0, 0, 10, 170, 160, 10, 160, 0, 160, 10, 160, 160, 160, 10, 170, 170, 10, 34, 34, 34,  
34, 34, 34, 10, 160, 0, 0, 0, 0, 0, 0, 0, 0, 0, 0, 0, 0, 0, 0, 0, 0,

0,  
0,  
0,  
0,  
0, 0, 0, 0, 0, 0, 0, 0, 0, 0, 0, 0, 0, 0, 0, 162, 45, 45, 210, 34,  
210, 74, 170, 10, 10, 170, 0, 0, 10, 0, 160, 10, 160, 10, 170, 160, 160, 10, 10, 10,  
10, 0, 10, 0, 10, 170, 170, 160, 0, 160, 0, 76, 204, 204, 204, 204, 195, 204, 204, 204,  
204, 204, 195, 26, 170, 10, 170, 170, 160, 160, 170, 170, 160, 10, 10, 164, 204, 204,  
204, 204,  
204, 204, 204, 204, 204, 204, 204, 49, 170, 170, 160, 170, 0, 170, 170, 170, 170,  
170, 170, 170,  
170, 170, 10, 0, 10, 204, 204, 204, 204, 204, 204, 204, 204, 58, 170, 160, 10, 170,  
170, 170,  
170, 170, 170, 170, 170, 170, 170, 170, 170, 161, 204, 204, 204, 204, 204, 204, 204,  
195, 0, 0,  
170, 170, 170, 170, 170, 170, 0, 170, 160, 170, 170, 170, 170, 170, 160, 160, 160,  
160, 160, 9,  
204, 204, 60, 204, 204, 204, 204, 201, 160, 160, 0, 160, 160, 160, 160, 28, 204, 204,  
204, 204,  
204, 204, 195, 204, 204, 74, 170, 0, 170, 160, 10, 10, 10, 0, 0, 0, 0, 160, 170, 170,  
170, 170, 160, 0, 10, 160, 10, 170, 10, 160, 10, 10, 10, 160, 0, 0, 169, 34, 34, 34,  
34, 34, 42, 160, 0, 0, 0, 0, 0, 0, 0, 0, 0, 0, 0, 0, 0, 0, 0, 0, 0,  
0,  
0,  
0,  
0,  
0, 0, 0, 0, 0, 0, 0, 0, 0, 0, 0, 0, 0, 0, 0, 160, 45, 34, 45, 221,  
45, 210, 170, 170, 0, 0, 170, 170, 160, 170, 10, 160, 10, 160, 0, 10, 10, 160, 160,  
160,  
160, 170, 160, 170, 160, 0, 0, 10, 170, 10, 160, 4, 204, 204, 204, 204, 204, 204, 204,  
60,  
195, 204, 204, 204, 73, 170, 0, 10, 10, 170, 160, 160, 10, 170, 147, 204, 204, 204,  
60, 204,

204, 204, 204, 204, 195, 204, 204, 74, 10, 0, 10, 0, 170, 170, 170, 170, 170, 170,  
170, 170,  
170, 170, 170, 170, 170, 76, 204, 204, 204, 204, 204, 204, 204, 26, 170, 0, 170, 170,  
170, 170,  
170, 170, 170, 170, 170, 170, 170, 170, 170, 169, 204, 195, 204, 204, 204, 204,  
196, 170, 170,  
170, 170, 170, 170, 170, 160, 170, 170, 170, 170, 170, 170, 170, 170, 10, 10,  
10, 10, 161,  
204, 204, 204, 204, 60, 204, 60, 201, 160, 10, 170, 10, 10, 10, 0, 4, 60, 204, 204,  
204,  
204, 204, 204, 204, 204, 193, 0, 170, 0, 10, 160, 160, 160, 170, 170, 170, 170, 10, 0,  
0,  
0, 0, 10, 170, 160, 10, 160, 0, 160, 10, 160, 160, 160, 10, 170, 170, 34, 34, 34, 34,  
34, 34, 10, 160, 0, 0, 0, 0, 0, 0, 0, 0, 0, 0, 0, 0, 0, 0, 0, 0, 0,  
0, 0, 0, 0, 0, 0, 0, 0, 0, 0, 0, 0, 0, 0, 0, 0, 0, 0,  
0, 0, 0, 0, 0, 0, 0, 0, 0, 0, 0, 0, 0, 0, 0, 0, 0, 0,  
0, 0, 0, 0, 0, 0, 0, 0, 0, 0, 0, 0, 0, 0, 0, 0, 0, 0,  
0, 0, 0, 0, 0, 0, 0, 0, 0, 0, 0, 0, 0, 0, 0, 0, 0, 0,  
0, 0, 0, 0, 0, 0, 0, 0, 0, 0, 0, 0, 0, 0, 0, 0, 162, 45, 34, 45,  
34, 45, 26, 170, 170, 170, 0, 0, 10, 0, 160, 10, 160, 10, 170, 160, 160, 10, 10, 10,  
10, 0, 10, 0, 10, 170, 170, 160, 0, 160, 10, 10, 60, 204, 204, 204, 204, 204, 204, 204,  
204, 204, 204, 204, 204, 196, 25, 169, 170, 170, 170, 153, 145, 60, 204, 204, 204,  
204, 204, 204,  
195, 204, 204, 204, 204, 204, 196, 0, 160, 170, 160, 170, 0, 170, 170, 170, 170, 170,  
170, 170,  
170, 170, 170, 170, 170, 156, 204, 204, 204, 204, 204, 204, 195, 10, 160, 0, 170,  
170, 170, 170,  
170, 170, 170, 170, 170, 170, 170, 170, 170, 1, 204, 204, 204, 204, 204, 204, 204,  
204, 68, 68,  
52, 49, 67, 67, 68, 52, 67, 68, 67, 68, 52, 52, 52, 67, 67, 170, 0, 160, 160, 9,  
204, 204, 204, 204, 204, 204, 204, 201, 160, 160, 0, 160, 160, 160, 170, 10, 60, 204,  
204, 60,  
204, 60, 204, 204, 204, 204, 154, 0, 170, 160, 10, 10, 10, 0, 0, 0, 0, 160, 170, 170,

170, 170, 160, 0, 10, 160, 10, 170, 10, 160, 10, 10, 10, 160, 0, 169, 34, 34, 34, 34,  
34, 42, 170,  
0,  
0,  
0,  
0,  
0, 0, 0, 0, 0, 0, 0, 0, 0, 0, 0, 0, 0, 0, 0, 0, 160, 34, 221, 34,  
221, 210, 34, 170, 160, 0, 170, 170, 160, 170, 10, 160, 10, 160, 0, 10, 10, 160, 160,  
160,  
160, 170, 160, 170, 160, 0, 0, 10, 170, 10, 160, 170, 163, 204, 60, 195, 204, 204,  
204, 204,  
204, 204, 60, 204, 195, 204, 204, 195, 51, 51, 51, 60, 204, 204, 204, 204, 204, 60,  
204, 204,  
204, 204, 195, 204, 204, 204, 74, 10, 10, 0, 10, 0, 170, 170, 170, 170, 170, 170, 170, 170,  
170,  
170, 170, 170, 0, 10, 4, 204, 195, 204, 204, 204, 204, 201, 160, 0, 170, 10, 160, 170,  
170,  
170, 170, 170, 170, 170, 170, 170, 170, 170, 169, 204, 204, 204, 204, 204, 204, 204,  
204, 204, 204,  
204, 204, 204, 204, 204, 60, 204, 204, 204, 204, 204, 60, 204, 204, 195, 154, 10, 10,  
10, 161,  
204, 204, 60, 204, 204, 195, 204, 201, 160, 10, 170, 10, 10, 10, 0, 160, 163, 204,  
204, 204,  
204, 204, 204, 60, 204, 204, 57, 10, 0, 10, 160, 160, 160, 170, 170, 170, 170, 10, 0,  
0,  
0, 0, 10, 170, 160, 10, 160, 0, 160, 10, 160, 160, 160, 10, 170, 146, 34, 34, 34, 34,  
34, 10, 160,  
0,  
0,  
0,  
0,  
0, 0, 0, 0, 0, 0, 0, 0, 0, 0, 0, 0, 0, 0, 0, 0, 162, 34, 221,  
34, 45, 210, 154, 170, 170, 0, 0, 10, 0, 160, 10, 160, 10, 170, 160, 160, 10, 10, 10,

10, 0, 10, 0, 10, 170, 170, 160, 0, 160, 10, 10, 170, 60, 204, 204, 204, 195, 204, 195,  
204, 204, 204, 204, 204, 204, 204, 204, 204, 204, 204, 204, 204, 204, 204, 204, 195, 204, 204,  
204, 204, 204,  
204, 204, 204, 204, 204, 52, 170, 160, 160, 170, 160, 170, 0, 170, 170, 170, 170,  
170, 170, 170,  
170, 170, 170, 10, 10, 10, 204, 204, 204, 204, 204, 204, 48, 10, 10, 0, 170, 170, 170,  
170,  
170, 170, 170, 170, 170, 170, 170, 170, 170, 1, 204, 204, 204, 60, 204, 204, 204,  
204, 204, 204,  
60, 204, 204, 60, 204, 204, 204, 204, 204, 204, 204, 204, 204, 204, 196, 170, 0, 160,  
160, 9,  
204, 204, 204, 204, 204, 204, 204, 204, 201, 170, 0, 0, 160, 160, 160, 170, 10, 169, 204,  
204, 204,  
204, 204, 204, 204, 195, 204, 195, 170, 170, 160, 10, 10, 10, 0, 0, 0, 0, 160, 170,  
170,  
170, 170, 160, 0, 10, 160, 10, 170, 10, 160, 10, 10, 10, 160, 169, 34, 34, 34, 34, 34,  
153, 10,  
0, 0, 0, 0, 0, 0, 0, 0, 0, 0, 0, 0, 0, 0, 0, 0, 0, 0, 0,  
0, 0, 0, 0, 0, 0, 0, 0, 0, 0, 0, 0, 0, 0, 0, 0, 0, 0, 0,  
0, 0, 0, 0, 0, 0, 0, 0, 0, 0, 0, 0, 0, 0, 0, 0, 0, 0, 0,  
0, 0, 0, 0, 0, 0, 0, 0, 0, 0, 0, 0, 0, 0, 0, 0, 0, 0, 0,  
0, 0, 0, 0, 0, 0, 0, 0, 0, 0, 0, 0, 0, 0, 0, 0, 0, 0, 0,  
0, 0, 0, 0, 0, 0, 0, 0, 0, 0, 0, 0, 0, 0, 0, 0, 160, 221, 34,  
210, 210, 45, 217, 170, 160, 170, 170, 160, 170, 10, 160, 10, 160, 0, 10, 10, 160,  
160, 160,  
160, 170, 160, 170, 160, 0, 0, 10, 170, 10, 160, 160, 170, 164, 204, 204, 204, 204,  
204, 204,  
204, 204, 204, 204, 60, 204, 204, 204, 204, 60, 204, 204, 195, 204, 204, 204, 204,  
204, 204, 204,  
195, 204, 204, 204, 60, 74, 160, 10, 10, 0, 10, 0, 170, 170, 170, 170, 170, 170, 170,  
170,  
170, 170, 170, 170, 10, 170, 28, 204, 204, 204, 60, 204, 154, 0, 160, 170, 10, 170,  
160, 170,

170, 170, 170, 170, 170, 170, 170, 170, 170, 170, 169, 204, 204, 204, 204, 204, 204, 204,  
204, 204, 204,  
204, 204, 204, 204, 204, 204, 204, 204, 204, 204, 60, 204, 204, 195, 204, 197, 0, 10, 10,  
10, 161,  
204, 204, 204, 204, 60, 204, 204, 201, 170, 10, 170, 10, 10, 10, 0, 160, 160, 156,  
204, 195,  
204, 195, 204, 204, 204, 204, 204, 58, 0, 10, 160, 160, 160, 170, 170, 170, 170, 10,  
0, 0,  
0, 0, 10, 170, 160, 10, 160, 0, 160, 10, 160, 160, 160, 10, 146, 34, 34, 34, 34, 34,  
170,  
0,  
0,  
0,  
0,  
0, 0, 0, 0, 0, 0, 0, 0, 0, 0, 0, 0, 0, 0, 0, 0, 0, 0, 162, 210,  
45, 45, 34, 210, 154, 10, 0, 0, 10, 0, 160, 10, 160, 10, 170, 160, 160, 10, 10, 10,  
10, 0, 10, 0, 10, 170, 170, 160, 0, 160, 10, 10, 10, 170, 28, 204, 204, 204, 204, 204,  
204, 60, 204, 204, 204, 204, 204, 204, 204, 204, 204, 204, 204, 204, 204, 204, 195,  
204, 204, 204,  
204, 204, 204, 204, 201, 160, 10, 160, 160, 170, 160, 170, 0, 170, 170, 170, 170,  
170, 170, 170,  
170, 170, 170, 170, 170, 170, 147, 204, 195, 204, 204, 196, 160, 170, 10, 0, 170,  
170, 170, 170,  
170, 170, 170, 170, 170, 170, 170, 170, 170, 1, 204, 204, 60, 204, 204, 204, 204,  
204, 204, 60,  
204, 204, 195, 204, 204, 204, 204, 195, 204, 204, 204, 204, 204, 58, 0, 160,  
160, 160, 9,  
204, 204, 60, 204, 204, 204, 204, 57, 170, 0, 0, 160, 160, 160, 170, 10, 10, 161, 204,  
204,  
204, 204, 204, 204, 204, 204, 204, 196, 160, 160, 10, 10, 10, 0, 0, 0, 0, 160, 170,  
170,  
170, 170, 160, 0, 10, 160, 10, 170, 10, 160, 10, 10, 10, 170, 34, 34, 34, 34, 34, 153,  
170, 0, 0, 0, 0, 0, 0, 0, 0, 0, 0, 0, 0, 0, 0, 0, 0, 0, 0, 0,



0,  
0,  
0,  
0,  
0, 0, 0, 0, 0, 0, 0, 0, 0, 0, 0, 0, 0, 0, 0, 0, 0, 0, 160, 45,  
34, 210, 221, 221, 217, 170, 170, 170, 160, 170, 10, 160, 10, 160, 0, 10, 10, 160,  
160, 160,  
160, 170, 160, 170, 160, 0, 0, 10, 170, 10, 160, 160, 160, 0, 169, 60, 204, 204, 60,  
204,  
204, 204, 204, 60, 204, 204, 60, 195, 204, 204, 195, 204, 204, 204, 195, 204, 204,  
204, 204, 204,  
204, 204, 195, 195, 170, 170, 160, 10, 10, 0, 10, 0, 170, 170, 170, 170, 170, 170,  
170, 170,  
170, 170, 170, 170, 170, 0, 4, 204, 204, 204, 204, 202, 170, 0, 160, 170, 170, 170,  
170, 160,  
170, 170, 170, 170, 170, 170, 170, 170, 170, 170, 1, 204, 204, 204, 204, 204, 204, 204,  
204, 204, 204,  
204, 204, 204, 204, 204, 204, 60, 204, 204, 204, 204, 195, 204, 204, 16, 10, 10, 10,  
10, 161,  
204, 204, 204, 204, 204, 204, 204, 204, 201, 170, 170, 170, 10, 10, 10, 0, 160, 160, 10,  
60, 204,  
204, 204, 195, 204, 195, 204, 195, 204, 26, 10, 160, 160, 160, 170, 170, 170, 170,  
10, 0, 0,  
0, 0, 10, 170, 160, 10, 160, 0, 160, 10, 160, 160, 160, 146, 34, 34, 34, 34, 41, 154,  
160,  
0,  
0,  
0,  
0,  
0, 162,  
210, 45, 34, 45, 210, 170, 0, 0, 10, 0, 160, 10, 160, 10, 170, 160, 160, 10, 10, 10,  
10, 0, 10, 0, 10, 170, 170, 160, 0, 160, 10, 10, 10, 170, 10, 147, 60, 204, 204, 195,

204, 204, 204, 204, 204, 204, 204, 204, 204, 204, 204, 204, 60, 204, 204, 204, 204,  
204, 204, 204,  
204, 204, 204, 26, 170, 170, 10, 160, 160, 170, 160, 170, 0, 170, 170, 170, 170, 170,  
170, 170,  
170, 170, 170, 170, 170, 10, 9, 60, 60, 204, 204, 74, 170, 10, 10, 0, 170, 170, 170,  
170,  
170, 170, 170, 170, 170, 170, 170, 170, 170, 170, 9, 204, 204, 204, 204, 204, 204, 204,  
204, 204, 204,  
195, 204, 204, 204, 195, 204, 204, 204, 204, 204, 60, 204, 204, 195, 144, 0, 160,  
160, 160, 9,  
204, 204, 204, 204, 60, 204, 60, 201, 170, 0, 0, 160, 160, 160, 170, 10, 10, 170, 163,  
204,  
204, 204, 204, 204, 204, 204, 204, 204, 57, 160, 10, 10, 10, 0, 0, 0, 0, 160, 170, 170,  
170, 170, 160, 0, 10, 160, 10, 170, 10, 160, 10, 10, 10, 34, 34, 34, 34, 34, 34, 170,  
160,  
0, 0, 0, 0, 0, 0, 0, 0, 0, 0, 0, 0, 0, 0, 0, 0, 0, 0, 0,  
0, 0, 0, 0, 0, 0, 0, 0, 0, 0, 0, 0, 0, 0, 0, 0, 0, 0, 0,  
0, 0, 0, 0, 0, 0, 0, 0, 0, 0, 0, 0, 0, 0, 0, 0, 0, 0, 0,  
0, 0, 0, 0, 0, 0, 0, 0, 0, 0, 0, 0, 0, 0, 0, 0, 0, 0, 0,  
0, 0, 0, 0, 0, 0, 0, 0, 0, 0, 0, 0, 0, 0, 0, 0, 0, 0, 160,  
221, 210, 221, 210, 45, 217, 0, 160, 160, 170, 10, 160, 10, 160, 0, 10, 10, 160, 160,  
160,  
160, 170, 160, 170, 160, 0, 0, 10, 170, 10, 160, 160, 160, 0, 160, 0, 19, 204, 204,  
204,  
204, 195, 204, 204, 204, 60, 204, 204, 204, 60, 204, 204, 204, 204, 60, 204, 204,  
204, 204, 204,  
204, 204, 73, 170, 170, 170, 0, 10, 10, 0, 10, 0, 170, 170, 170, 170, 170, 170, 170,  
170,  
170, 170, 170, 170, 160, 160, 170, 76, 204, 204, 204, 170, 160, 160, 160, 170, 170,  
170, 170, 170,  
160, 170, 170, 170, 170, 170, 170, 170, 170, 1, 204, 204, 60, 204, 60, 204, 204, 204,  
204, 204,

204, 204, 204, 204, 204, 204, 204, 204, 204, 204, 204, 204, 204, 196, 160, 170, 10,  
10, 10, 161,  
204, 204, 60, 204, 204, 204, 204, 201, 170, 10, 170, 10, 10, 10, 0, 160, 160, 10, 169,  
60,  
204, 60, 204, 204, 60, 204, 204, 204, 195, 144, 0, 160, 160, 170, 170, 170, 170, 10,  
0, 0,  
0, 0, 10, 170, 160, 10, 160, 0, 160, 10, 160, 160, 162, 34, 34, 34, 34, 34, 154, 170,  
0,  
0,  
0,  
0,  
0,  
0,  
162, 221, 45, 45, 221, 34, 144, 0, 10, 0, 160, 10, 160, 10, 170, 160, 160, 10, 10, 10,  
10, 0, 10, 0, 10, 170, 170, 160, 0, 160, 10, 10, 10, 170, 10, 0, 170, 67, 204, 204,  
204, 204, 204, 204, 204, 204, 204, 204, 204, 204, 204, 60, 204, 204, 204, 204, 195,  
204, 204, 204,  
195, 57, 170, 170, 170, 170, 170, 160, 160, 170, 160, 170, 10, 170, 170, 170, 170,  
170, 170, 170,  
170, 170, 170, 170, 160, 10, 160, 147, 204, 204, 52, 170, 170, 10, 10, 10, 170, 170,  
170, 170,  
170, 170, 170, 170, 170, 170, 170, 170, 170, 9, 204, 204, 204, 204, 204, 204, 195,  
204, 60, 195,  
204, 204, 204, 195, 204, 204, 204, 204, 60, 204, 204, 204, 60, 49, 160, 0, 160, 160,  
160, 9,  
204, 204, 204, 204, 204, 204, 204, 201, 170, 160, 0, 160, 160, 160, 170, 10, 10, 160,  
170, 28,  
204, 204, 204, 204, 204, 204, 60, 204, 204, 58, 170, 10, 10, 0, 0, 0, 0, 160, 170, 170,  
170, 170, 160, 0, 10, 160, 10, 170, 10, 160, 10, 10, 34, 34, 34, 34, 34, 34, 160, 0,  
0,  
0,  
0,  
0, 0, 0, 0, 0, 0, 0, 0, 0, 0, 0, 0, 0, 0, 0, 0, 0, 0, 0, 0,

0,  
0,  
161, 45, 210, 221, 45, 221, 41, 10, 160, 170, 10, 160, 10, 160, 0, 10, 10, 160, 160,  
160,  
160, 170, 160, 170, 160, 0, 0, 10, 170, 10, 160, 160, 160, 0, 160, 170, 10, 10, 28,  
204,  
204, 204, 204, 195, 204, 204, 60, 204, 204, 204, 204, 204, 204, 195, 204, 204, 204,  
204, 204, 204,  
57, 170, 170, 170, 170, 170, 0, 10, 10, 0, 10, 0, 170, 170, 170, 170, 170, 170, 170,  
170,  
170, 170, 170, 170, 170, 160, 170, 4, 204, 204, 57, 170, 0, 160, 160, 170, 170, 170,  
170, 170,  
170, 160, 170, 170, 170, 170, 170, 170, 170, 1, 204, 204, 204, 195, 204, 204, 204,  
204, 204, 204,  
204, 204, 60, 204, 204, 204, 60, 204, 204, 195, 204, 204, 204, 58, 170, 170, 10, 10,  
10, 161,  
204, 204, 204, 204, 204, 204, 60, 201, 170, 10, 170, 10, 10, 10, 0, 160, 160, 10, 0,  
164,  
204, 204, 204, 60, 204, 204, 204, 204, 60, 196, 170, 0, 160, 170, 170, 170, 170, 10,  
0, 0,  
0, 0, 10, 170, 160, 10, 160, 0, 160, 10, 160, 162, 34, 34, 34, 34, 34, 154, 0, 0,  
0,  
0,  
0,  
0,  
0,  
0,  
10, 34, 221, 45, 210, 45, 210, 170, 10, 0, 160, 10, 160, 10, 170, 160, 160, 10, 10, 10,  
10, 0, 10, 0, 10, 170, 170, 160, 0, 160, 10, 10, 10, 170, 10, 0, 170, 170, 170, 19,  
204, 195, 204, 204, 204, 204, 204, 195, 204, 60, 204, 204, 204, 204, 204, 204, 204,  
204, 195, 57,  
170, 170, 170, 170, 170, 170, 10, 160, 160, 170, 160, 170, 170, 170, 170, 170, 170,  
170, 170, 170,

170, 170, 170, 170, 170, 10, 170, 9, 204, 204, 26, 160, 170, 10, 10, 10, 170, 170,  
170, 170,  
170, 170, 170, 170, 170, 170, 170, 170, 170, 170, 9, 204, 204, 204, 204, 204, 204, 204,  
204, 204, 204,  
204, 204, 204, 204, 204, 204, 204, 204, 204, 204, 204, 204, 204, 26, 160, 0, 160,  
160, 160, 9,  
204, 204, 60, 204, 60, 204, 204, 201, 170, 0, 0, 160, 160, 160, 170, 10, 10, 160, 170,  
10,  
60, 204, 204, 204, 204, 195, 204, 204, 204, 204, 64, 170, 10, 0, 0, 0, 0, 160, 170,  
170,  
170, 170, 160, 0, 10, 160, 10, 170, 10, 160, 10, 34, 34, 34, 34, 146, 34, 160, 0, 0,  
0,  
0,  
0,  
0,  
0,  
0,  
0, 4, 210, 210, 221, 221, 45, 217, 170, 160, 10, 160, 10, 160, 0, 10, 10, 160, 160,  
160,  
160, 170, 160, 170, 160, 0, 0, 10, 170, 10, 160, 160, 160, 0, 160, 170, 0, 10, 170, 10,  
148, 204, 204, 204, 204, 204, 204, 204, 204, 204, 195, 204, 204, 60, 204, 204, 195,  
204, 73, 10,  
170, 170, 170, 170, 170, 160, 160, 10, 10, 0, 10, 0, 170, 170, 170, 170, 170, 170,  
170, 170,  
170, 170, 170, 170, 170, 0, 170, 0, 76, 195, 154, 0, 0, 160, 160, 170, 170, 170, 170,  
170,  
170, 170, 160, 170, 170, 170, 170, 170, 170, 1, 204, 204, 204, 204, 204, 204, 204,  
204, 204, 204,  
204, 204, 204, 204, 204, 204, 204, 204, 204, 204, 204, 204, 195, 144, 160, 170, 10,  
10, 10, 161,  
204, 204, 204, 204, 204, 204, 204, 201, 170, 170, 170, 10, 10, 10, 0, 160, 160, 10, 0,  
160,

172, 204, 60, 204, 204, 204, 204, 204, 195, 65, 144, 0, 160, 170, 170, 170, 170, 10,  
0, 0,  
0, 0, 10, 170, 160, 10, 160, 0, 160, 10, 146, 34, 34, 34, 34, 34, 154, 0, 0, 0,  
0,  
0,  
0,  
0,  
0,  
0,  
0, 0, 45, 45, 45, 34, 221, 210, 154, 10, 160, 10, 160, 10, 170, 160, 160, 10, 10, 10,  
10, 0, 10, 0, 10, 170, 170, 160, 0, 160, 10, 10, 10, 170, 10, 0, 170, 160, 0, 160,  
10, 161, 67, 195, 204, 195, 204, 204, 204, 204, 204, 204, 204, 204, 204, 60, 52, 154,  
160, 170,  
170, 170, 170, 170, 170, 160, 10, 160, 160, 170, 160, 170, 170, 170, 170, 170, 170,  
170, 170, 170,  
170, 170, 170, 170, 170, 10, 170, 0, 172, 196, 170, 0, 170, 10, 10, 170, 170, 170,  
170, 170,  
170, 170, 170, 170, 170, 170, 170, 170, 170, 9, 51, 51, 51, 51, 51, 51, 51, 51, 51, 51,  
51, 51, 51, 51, 51, 51, 51, 51, 51, 51, 51, 51, 51, 51, 0, 10, 0, 160, 160, 160, 9,  
204, 204, 204, 204, 204, 60, 51, 57, 0, 0, 0, 160, 160, 160, 170, 10, 10, 160, 170, 10,  
169, 204, 204, 204, 195, 195, 52, 25, 170, 160, 0, 170, 10, 0, 0, 0, 0, 160, 170, 170,  
170, 170, 160, 0, 10, 160, 10, 170, 10, 10, 34, 34, 34, 34, 34, 34, 170, 0, 0, 0,  
0,  
0,  
0,  
0,  
0,  
0, 0, 4, 221, 210, 221, 210, 221, 210, 170, 10, 160, 10, 160, 0, 10, 10, 160, 160, 160,  
160, 170, 160, 170, 160, 0, 0, 10, 170, 10, 160, 160, 160, 0, 160, 170, 0, 10, 170, 10,  
10, 160, 170, 145, 67, 51, 195, 204, 204, 204, 60, 204, 236, 51, 68, 25, 10, 170, 10,  
0,

10, 10, 170, 170, 170, 10, 160, 10, 10, 0, 10, 10, 170, 170, 170, 170, 170, 170, 170,  
170,  
170, 170, 170, 170, 170, 0, 170, 10, 164, 202, 170, 10, 0, 160, 160, 170, 170, 170,  
170, 170,  
170, 170, 170, 170, 170, 170, 170, 170, 170, 10, 154, 154, 154, 154, 153, 169, 169,  
169, 169, 169,  
169, 169, 169, 169, 154, 154, 154, 154, 154, 154, 154, 154, 144, 10, 160, 170, 10,  
10, 10, 169,  
51, 68, 68, 17, 17, 153, 145, 154, 170, 170, 170, 10, 10, 10, 0, 160, 160, 10, 0, 160,  
0, 28, 204, 52, 65, 153, 170, 170, 160, 10, 10, 0, 160, 170, 170, 170, 170, 10, 0, 0,  
0, 0, 10, 170, 160, 10, 160, 0, 170, 146, 34, 34, 34, 34, 34, 154, 170, 0, 0, 0,  
0,  
0,  
0,  
0,  
0,  
0,  
0, 0, 0, 34, 221, 210, 221, 45, 210, 73, 10, 0, 160, 10, 170, 160, 160, 10, 10, 10,  
10, 0, 10, 0, 10, 170, 170, 160, 0, 160, 10, 10, 10, 170, 10, 0, 170, 160, 0, 160,  
160, 10, 10, 170, 170, 169, 145, 17, 145, 68, 17, 17, 153, 154, 170, 160, 10, 170,  
160, 170,  
160, 160, 10, 170, 160, 160, 10, 160, 160, 170, 160, 170, 170, 170, 170, 170, 170,  
170, 170, 170,  
170, 170, 170, 170, 170, 170, 170, 160, 170, 26, 160, 0, 170, 10, 10, 170, 170, 170,  
170, 170,  
170, 170, 170, 170, 170, 170, 170, 170, 170, 10, 10, 170, 170, 170, 0, 160, 160, 160,  
160, 160,  
160, 160, 160, 160, 10, 10, 10, 10, 10, 10, 10, 10, 170, 160, 0, 10, 0, 160, 160, 160, 10,  
170, 10, 170, 10, 170, 170, 160, 0, 0, 0, 0, 160, 160, 160, 170, 10, 10, 160, 170, 10,  
160, 161, 153, 154, 170, 170, 10, 0, 10, 160, 160, 170, 10, 0, 0, 0, 0, 160, 170, 170,  
170, 170, 160, 0, 10, 160, 10, 160, 169, 34, 34, 34, 34, 34, 41, 170, 160, 0, 0, 0,  
0,  
0, 0, 0, 0, 0, 0, 0, 0, 0, 0, 0, 0, 0, 0, 0, 0, 0, 0, 0, 0,

0,  
0,  
0,  
0,  
0, 0, 0, 164, 45, 45, 45, 210, 221, 210, 153, 10, 10, 160, 0, 10, 10, 160, 160, 160,  
160, 170, 160, 170, 160, 0, 0, 10, 170, 10, 160, 160, 160, 0, 160, 170, 0, 10, 170, 10,  
10, 160, 170, 10, 10, 170, 160, 170, 170, 170, 170, 170, 170, 10, 170, 0, 160, 0, 10,  
0,  
10, 10, 160, 0, 10, 10, 160, 10, 10, 0, 10, 0, 0, 0, 0, 0, 0, 0, 0, 0,  
0, 0, 0, 0, 0, 0, 0, 10, 10, 170, 0, 160, 0, 160, 160, 0, 0, 0, 0, 0,  
0, 0, 0, 0, 0, 0, 0, 0, 0, 0, 0, 0, 0, 0, 0, 0, 0, 160, 160,  
160, 160, 160, 170, 10, 10, 10, 170, 170, 170, 170, 10, 0, 170, 160, 170, 10, 10, 10,  
170,  
160, 0, 160, 0, 10, 160, 170, 10, 10, 170, 170, 10, 10, 10, 0, 160, 160, 10, 0, 160,  
10, 160, 170, 10, 170, 160, 160, 170, 160, 10, 10, 0, 160, 170, 170, 170, 170, 10, 0,  
0,  
0, 0, 10, 170, 160, 10, 160, 169, 34, 34, 34, 34, 34, 34, 154, 170, 160, 0, 0, 0,  
0,  
0,  
0,  
0,  
0,  
0,  
0, 0, 0, 0, 45, 221, 210, 221, 210, 45, 210, 154, 160, 10, 10, 0, 160, 10, 10, 10,  
10, 0, 10, 0, 10, 170, 170, 160, 0, 160, 10, 10, 10, 170, 10, 0, 170, 160, 0, 160,  
160, 10, 0, 160, 160, 160, 160, 0, 170, 170, 160, 160, 170, 160, 160, 170, 10, 170,  
160, 170,  
160, 160, 10, 170, 160, 160, 10, 160, 160, 170, 160, 170, 170, 170, 170, 170, 170,  
170, 170, 170,  
170, 170, 170, 170, 170, 170, 170, 160, 160, 160, 170, 10, 170, 10, 10, 170, 170,  
170, 170, 170,  
170, 170, 170, 170, 10, 0, 10, 0, 0, 160, 170, 0, 10, 0, 170, 10, 170, 170, 10, 10,  
10, 10, 10, 0, 160, 160, 160, 0, 0, 0, 0, 160, 10, 0, 10, 0, 160, 160, 160, 0,



170, 160, 0, 160, 160, 10, 0, 160, 160, 0, 0, 160, 160, 160, 170, 10, 10, 160, 170, 10,  
160, 0, 170, 160, 160, 10, 10, 0, 10, 160, 160, 170, 10, 0, 0, 0, 0, 160, 170, 170,  
170, 170, 160, 0, 10, 0, 10, 34, 34, 34, 34, 34, 34, 34, 170, 170, 0, 0, 0, 0,  
0,  
0,  
0,  
0,  
0,  
0,  
0, 0, 0, 0, 161, 210, 221, 210, 221, 221, 221, 221, 154, 170, 10, 170, 10, 0, 160, 0,  
160, 170, 160, 170, 160, 0, 0, 10, 160, 10, 160, 160, 160, 0, 160, 170, 0, 10, 160, 10,  
10, 160, 170, 10, 10, 10, 10, 160, 160, 160, 10, 10, 0, 10, 10, 0, 160, 0, 10, 0,  
10, 10, 160, 0, 10, 10, 160, 10, 0, 0, 10, 0, 0, 0, 0, 0, 0, 0, 0, 0,  
0, 0, 0, 0, 0, 0, 0, 10, 10, 10, 0, 160, 0, 160, 0, 0, 0, 0, 0, 0, 0,  
0, 0, 0, 0, 160, 170, 0, 170, 10, 10, 0, 170, 0, 170, 0, 160, 0, 0, 160, 160,  
0, 160, 160, 170, 10, 10, 10, 160, 170, 10, 160, 10, 160, 160, 160, 170, 0, 10, 10,

160,

0, 10, 10, 10, 10, 0, 170, 10, 10, 170, 160, 10, 10, 10, 0, 160, 160, 10, 0, 160,  
10, 160, 0, 10, 10, 0, 160, 170, 0, 10, 10, 0, 160, 170, 170, 170, 170, 10, 0, 0,  
0, 0, 0, 160, 170, 169, 34, 34, 34, 34, 34, 34, 34, 154, 0, 0, 0, 0, 0, 0,  
0,  
0,  
0,  
0,  
0,  
0, 0, 0, 0, 10, 45, 210, 210, 210, 221, 45, 221, 221, 153, 170, 160, 160, 170, 170,

170,

10, 0, 10, 0, 10, 160, 170, 160, 170, 160, 160, 160, 160, 170, 10, 0, 170, 160, 170,

160,

160, 10, 0, 160, 160, 160, 160, 170, 10, 10, 160, 160, 170, 160, 160, 170, 10, 170,

160, 170,







210, 210, 34, 34, 210, 34, 34, 34, 34, 34, 34, 210, 34, 34, 34, 34, 34, 34, 34, 34,  
34, 34, 34, 34, 34, 34, 34, 34, 34, 34, 34, 41, 160, 0, 0, 0, 0, 0, 0, 0, 0,  
0,  
0,  
0,  
0,  
0,  
0,  
0, 0, 0, 0, 0, 0, 0, 10, 4, 45, 221, 45, 45, 221, 221, 221, 221, 221, 141, 221,  
216, 221, 221, 141, 141, 216, 136, 216, 141, 221, 141, 141, 221, 141, 141, 136, 141,  
141, 136, 136,  
136, 136, 136, 136, 136, 136, 136, 136, 136, 136, 136, 142, 142, 142, 232, 232, 142, 232,  
136, 238, 232,  
232, 142, 238, 238, 238, 232, 238, 238, 238, 238, 238, 238, 238, 238, 238, 238, 238,  
206, 236, 238,  
238, 238, 206, 238, 206, 238, 238, 238, 238, 238, 238, 238, 238, 238, 238, 142, 238,  
238, 232, 232,  
232, 232, 238, 232, 136, 232, 142, 142, 232, 232, 232, 136, 232, 136, 136, 136, 136,  
136, 136, 136,  
136, 136, 141, 136, 216, 141, 141, 216, 141, 141, 141, 136, 141, 221, 216, 221, 141,  
221, 221, 216,  
221, 216, 221, 221, 216, 221, 221, 221, 221, 221, 221, 221, 45, 45, 221, 34, 210, 45,  
34, 210,  
34, 45, 210, 210, 34, 210, 210, 34, 210, 34, 34, 34, 34, 34, 34, 34, 34, 34, 34, 34,  
34, 34, 34, 34, 34, 34, 34, 34, 34, 34, 154, 0, 0, 0, 0, 0, 0, 0, 0, 0, 0,  
0,  
0,  
0,  
0,  
0,  
0,  
0, 0, 0, 0, 0, 0, 0, 0, 162, 221, 221, 221, 221, 221, 221, 221, 221, 221, 221,

141, 221, 141, 221, 216, 221, 221, 141, 216, 136, 216, 136, 136, 136, 136, 141, 136,  
216, 136, 216,  
136, 216, 136, 136, 136, 136, 136, 136, 142, 142, 136, 136, 232, 142, 142, 232, 142,  
238, 136, 142,  
238, 238, 142, 238, 238, 238, 238, 238, 238, 238, 238, 238, 238, 238, 238, 238, 238,  
238, 238, 238,  
238, 238, 238, 238, 238, 238, 238, 238, 238, 238, 238, 238, 238, 238, 142, 238, 232,  
232, 238, 142,  
142, 238, 136, 142, 142, 142, 136, 136, 136, 142, 136, 232, 136, 136, 136, 136, 136,  
136, 136, 136,  
136, 216, 136, 136, 136, 136, 136, 141, 216, 136, 136, 221, 216, 136, 221, 141, 216,  
216, 216, 221,  
141, 221, 216, 221, 221, 221, 221, 221, 221, 221, 221, 45, 221, 210, 210, 221, 221,  
221, 221, 45,  
221, 34, 221, 45, 221, 34, 45, 210, 34, 210, 45, 34, 34, 34, 34, 34, 34, 34, 34, 34,  
34, 34, 34, 34, 34, 34, 34, 34, 34, 42, 170, 0, 0, 0, 0, 0, 0, 0, 0, 0, 0,  
0,  
0,  
0,  
0,  
0,  
0,  
0, 0, 0, 0, 0, 0, 0, 0, 160, 0, 77, 221, 221, 221, 221, 221, 221, 216, 221,  
221, 221, 221, 136, 221, 136, 141, 216, 141, 221, 141, 221, 141, 141, 141, 136, 136,  
136, 141, 136,  
216, 136, 136, 136, 136, 136, 136, 232, 136, 136, 232, 232, 136, 142, 136, 142, 136,  
142, 238, 232,  
232, 238, 238, 232, 238, 238, 238, 238, 238, 238, 238, 238, 238, 238, 238, 238, 238,  
238, 238, 238,  
206, 236, 238, 238, 238, 238, 238, 238, 238, 238, 238, 238, 238, 238, 238, 232, 238,  
142, 142, 142,  
238, 142, 238, 232, 232, 232, 238, 238, 238, 136, 136, 136, 232, 136, 136, 136, 136,  
136, 136, 136,

136, 136, 136, 216, 141, 141, 141, 136, 141, 141, 221, 136, 141, 221, 136, 216, 221,  
141, 221, 141,  
216, 221, 221, 221, 141, 221, 221, 221, 221, 221, 221, 221, 221, 221, 221, 210, 45,  
45, 45, 221,  
34, 221, 34, 210, 34, 221, 34, 34, 210, 34, 34, 34, 34, 34, 34, 45, 34, 34, 34, 34,  
34, 34, 34, 34, 34, 34, 146, 154, 10, 170, 0, 0, 0, 0, 0, 0, 0, 0, 0, 0,  
0,  
0,  
0,  
0,  
0,  
0,  
0, 0, 0, 0, 0, 0, 0, 0, 0, 0, 170, 221, 45, 221, 221, 221, 216, 221, 141,  
141, 141, 221, 221, 141, 221, 216, 141, 216, 141, 136, 136, 216, 136, 136, 216, 216,  
216, 216, 136,  
136, 136, 136, 136, 136, 136, 232, 136, 232, 142, 142, 136, 238, 136, 238, 232, 238,  
232, 136, 238,  
142, 232, 238, 238, 232, 232, 238, 238, 238, 238, 238, 238, 238, 238, 238, 238, 238, 238,  
206, 238, 238,  
238, 238, 238, 236, 238, 238, 238, 238, 238, 238, 238, 238, 238, 238, 238, 238, 238,  
238, 238, 238,  
142, 232, 136, 238, 142, 142, 136, 136, 136, 136, 136, 232, 136, 136, 136, 232, 136,  
136, 136, 136,  
141, 136, 216, 136, 136, 136, 141, 141, 136, 216, 136, 221, 216, 216, 221, 141, 141,  
221, 141, 221,  
221, 216, 216, 221, 221, 221, 221, 221, 221, 221, 221, 221, 45, 210, 221, 221, 210,  
210, 210, 210,  
221, 34, 221, 45, 210, 34, 34, 210, 34, 210, 210, 34, 34, 210, 34, 34, 34, 34, 34, 34,  
34, 34, 34, 34, 34, 34, 170, 170, 10, 160, 0, 0, 0, 0, 0, 0, 0, 0, 0, 0,  
0,  
0,  
0,  
0, 0, 0, 0, 0, 0, 0, 0, 0, 0, 0, 0, 0, 0, 0, 0, 0, 0, 0, 0,





238, 236, 238, 238, 238, 238, 238, 238, 238, 238, 238, 238, 238, 238, 238, 238, 238, 238, 238, 232, 232, 232,

238, 142, 142, 232, 232, 232, 142, 142, 142, 136, 142, 232, 136, 136, 136, 136, 136, 136, 136, 136, 136,

136, 136, 141, 136, 136, 136, 141, 136, 136, 141, 141, 141, 216, 221, 221, 136, 221, 141, 221, 221,

216, 221, 221, 221, 221, 221, 221, 221, 221, 221, 221, 221, 221, 210, 221, 45, 221, 45, 45, 45, 210,

210, 45, 45, 45, 34, 45, 34, 210, 34, 210, 34, 34, 34, 34, 34, 34, 34, 34, 34, 34, 34, 34,

42, 170, 170, 170, 170, 0, 10, 0, 0, 0, 0, 0, 0, 0, 0, 0, 0, 0, 0, 0, 0, 0,

0, 0,

0, 0,

0, 0,

0, 0,

0, 0,

0, 0,

0, 0, 0, 0, 0, 0, 0, 0, 0, 0, 0, 0, 0, 0, 0, 10, 170, 170, 170, 170,

160, 170, 170, 160, 170, 170, 170, 170, 170, 170, 170, 170, 170, 160, 0, 0, 10, 10, 10, 0,

160,

0, 0, 0, 0, 0, 0, 170, 170, 170, 10, 10, 170, 10, 160, 10, 10, 10, 170, 170, 170,

170, 170, 170, 170, 170, 170, 170, 170, 170, 170, 170, 170, 170, 170, 170, 170, 170, 170,

170, 170, 170,

170, 170, 170, 170, 170, 170, 170, 170, 170, 170, 170, 170, 170, 170, 170, 170, 170, 170,

170, 170, 170,

170, 170, 170, 170, 170, 170, 170, 170, 170, 170, 170, 170, 170, 170, 170, 170, 170,

170, 170, 0,

0, 0, 10, 160, 0, 0, 10, 0, 0, 10, 170, 170, 170, 170, 170, 170, 170, 170, 170,

170, 170, 170, 170, 170, 170, 170, 170, 170, 170, 170, 170, 170, 170, 170, 170, 170,

170, 170, 170,

170, 170, 170, 170, 170, 170, 170, 170, 170, 170, 170, 170, 170, 170, 170, 170,

160, 0, 10,

10, 170, 170, 170, 170, 0, 0, 0, 0, 0, 0, 0, 0, 0, 0, 0, 0, 0, 0, 0, 0,

0, 0, 0, 0, 0, 0, 0, 0, 0, 0, 0, 0, 0, 0, 0, 0, 0, 0, 0, 0,



















































































































0,  
0,  
0,  
0,  
0,  
0,  
0,  
0,  
0, 0, 0, 0, 0, 0, 0, 170, 165, 27, 183, 117, 85, 85, 85, 85, 85, 27, 17, 85,  
85, 85, 85, 85, 22, 54, 117, 85, 85, 85, 87, 85, 85, 90, 170, 160, 0, 170, 165, 91,  
187, 187, 187, 187, 187, 187, 187, 187, 187, 187, 187, 187, 107, 187, 182, 187, 182,

187, 187, 107,

182, 182, 182, 182, 90, 170, 10, 0, 0, 170, 160, 0, 0, 0, 0, 0, 0, 0, 0,  
0,  
0,  
0,  
0,  
0,  
0,  
0,  
0,  
0,  
0,  
0,  
0,  
0, 0, 0, 10, 0, 0, 170, 165, 91, 183, 113, 17, 85, 165, 85, 165, 17, 100, 97, 85,  
85, 85, 85, 27, 179, 113, 55, 85, 87, 87, 85, 87, 81, 21, 170, 160, 10, 170, 165, 102,  
123, 187, 187, 187, 187, 187, 187, 187, 187, 187, 187, 107, 187, 187, 107, 187, 187, 187,

187, 107, 187,

187, 187, 187, 107, 90, 170, 160, 160, 0, 10, 160, 0, 0, 0, 0, 0, 0, 0, 0,  
0,  
0,  
0, 0, 0, 0, 0, 0, 0, 0, 0, 0, 0, 0, 0, 0, 0, 0, 0, 0, 0, 0,

0,  
0,  
0,  
0,  
0,  
0,  
0,  
0,  
0, 0, 0, 0, 0, 0, 0, 0, 0, 0, 0, 0, 0, 0, 0, 0, 0, 0, 0, 10,  
0, 0, 0, 10, 170, 10, 170, 165, 113, 113, 23, 97, 85, 85, 85, 17, 118, 27, 22, 21,  
85, 85, 87, 115, 75, 54, 180, 117, 85, 85, 117, 85, 179, 241, 170, 170, 170, 170, 119,

187,

187, 187, 187, 187, 187, 187, 187, 187, 187, 187, 187, 187, 187, 187, 107, 182, 187,  
107, 187, 107,

107, 107, 107, 187, 90, 170, 160, 160, 10, 170, 160, 0, 0, 0, 0, 0, 0, 0, 0,  
0,  
0,  
0,  
0,  
0,  
0,  
0,  
0,  
0,  
0,  
0,  
0, 0, 0, 0, 0, 0, 0, 0, 0, 0, 0, 0, 0, 0, 0, 0, 0, 0, 0, 10,  
160, 0, 0, 170, 170, 10, 165, 91, 119, 23, 113, 17, 21, 90, 81, 27, 65, 20, 97, 97,  
85, 81, 19, 27, 177, 177, 55, 53, 85, 85, 85, 182, 63, 54, 21, 170, 170, 165, 119, 187,  
187, 187, 187, 187, 187, 187, 187, 187, 187, 187, 187, 187, 187, 187, 187, 187, 187, 187,

187, 107, 187,

187, 187, 187, 107, 90, 170, 170, 10, 0, 170, 0, 0, 0, 0, 0, 0, 0, 0, 0, 0,  
0, 0, 0, 0, 0, 0, 0, 0, 0, 0, 0, 0, 0, 0, 0, 0, 0, 0, 0, 0,

0,  
0,  
0,  
0,  
0,  
0,  
0,  
0,  
0,  
0,  
0,  
0,  
0, 0, 0, 0, 0, 0, 0, 0, 0, 0, 0, 0, 0, 0, 0, 0, 0, 0, 0, 10,  
0, 0, 0, 10, 170, 10, 165, 23, 119, 113, 17, 23, 21, 85, 17, 97, 177, 107, 17, 71,  
21, 27, 107, 100, 54, 54, 51, 123, 21, 87, 91, 63, 255, 243, 241, 170, 170, 87, 187,

187,

187, 187, 187, 187, 187, 187, 187, 187, 187, 187, 187, 187, 187, 187, 187, 182, 187, 187, 107,

187, 182, 182,

182, 187, 187, 182, 90, 170, 170, 0, 10, 170, 0, 0, 0, 0, 0, 0, 0, 0, 0, 0,  
0,  
0,  
0,  
0,  
0,  
0,  
0,  
0,  
0,  
0,  
0,  
0, 0, 0, 0, 0, 0, 0, 0, 0, 0, 0, 0, 0, 0, 0, 0, 0, 0, 0, 10,  
160, 0, 0, 10, 170, 10, 165, 23, 17, 23, 22, 17, 113, 81, 97, 17, 70, 17, 102, 177,  
81, 100, 19, 27, 180, 177, 183, 54, 21, 87, 51, 111, 255, 255, 243, 26, 165, 87, 187,

187,







0,  
0,  
0,  
0, 0, 0, 10, 160, 10, 170, 161, 23, 21, 85, 165, 90, 85, 27, 20, 17, 21, 85, 85,  
85, 81, 116, 27, 100, 177, 182, 102, 246, 255, 246, 255, 255, 255, 255, 255,

123, 183, 187,

187, 187, 183, 187, 187, 187, 187, 187, 187, 187, 187, 187, 187, 187, 187, 187, 187, 187, 187,

187, 182, 187,

107, 107, 187, 177, 170, 170, 170, 0, 0, 160, 0, 0, 0, 0, 0, 0, 0, 0, 0, 0,

0, 0, 0, 0, 0, 0, 0, 0, 0, 0, 0, 0, 0, 0, 0, 0, 0, 0, 0, 0,

0, 0, 0, 0, 0, 0, 0, 0, 0, 0, 0, 0, 0, 0, 0, 0, 0, 0, 0, 0,

0, 0, 0, 0, 0, 0, 0, 0, 0, 0, 0, 0, 0, 0, 0, 0, 0, 0, 0, 0,

0, 0, 0, 0, 0, 0, 0, 0, 0, 0, 0, 0, 0, 0, 0, 0, 0, 0, 0, 0,

0, 0, 0, 0, 0, 0, 0, 0, 0, 0, 0, 0, 0, 0, 0, 0, 0, 0, 0, 0,

0, 0, 0, 0, 0, 0, 0, 0, 0, 0, 0, 0, 0, 0, 0, 0, 0, 0, 0, 0,

0, 0, 0, 0, 0, 0, 0, 0, 0, 0, 0, 0, 0, 0, 0, 0, 0, 0, 0, 0,

0, 0, 0, 0, 0, 0, 0, 0, 0, 0, 0, 0, 0, 0, 0, 0, 0, 0, 0, 0,

0, 0, 0, 0, 0, 0, 0, 0, 0, 0, 0, 0, 0, 0, 0, 0, 0, 0, 0, 0,

0, 0, 0, 0, 0, 0, 0, 0, 0, 0, 0, 0, 0, 0, 0, 0, 0, 0, 0, 0,

0, 0, 0, 0, 0, 0, 0, 0, 0, 0, 0, 0, 0, 0, 0, 0, 0, 0, 0, 0,

0, 0, 0, 0, 0, 0, 0, 0, 0, 0, 0, 0, 0, 0, 0, 0, 0, 0, 0, 0,

0, 0, 160, 0, 160, 0, 170, 165, 17, 85, 149, 85, 85, 90, 84, 113, 117, 85, 85, 85,

90, 85, 22, 97, 27, 102, 99, 111, 111, 102, 255, 255, 255, 255, 255, 255, 255, 251,

187, 183,

187, 123, 187, 187, 123, 123, 183, 187, 187, 187, 187, 187, 187, 187, 187, 187, 187, 187,

187, 187, 187,

187, 187, 107, 107, 170, 170, 170, 0, 10, 0, 0, 160, 0, 0, 0, 0, 0, 0, 0,

0, 0, 0, 0, 0, 0, 0, 0, 0, 0, 0, 0, 0, 0, 0, 0, 0, 0, 0, 0,

0, 0, 0, 0, 0, 0, 0, 0, 0, 0, 0, 0, 0, 0, 0, 0, 0, 0, 0, 0,

0, 0, 0, 0, 0, 0, 0, 0, 0, 0, 0, 0, 0, 0, 0, 0, 0, 0, 0, 0,

0, 0, 0, 0, 0, 0, 0, 0, 0, 0, 0, 0, 0, 0, 0, 0, 0, 0, 0, 0,

0, 0, 0, 0, 0, 0, 0, 0, 0, 0, 0, 0, 0, 0, 0, 0, 0, 0, 0, 0,

0, 0, 0, 0, 0, 0, 0, 0, 0, 0, 0, 0, 0, 0, 0, 0, 0, 0, 0, 0,

0,  
0,  
0,  
0,  
0,  
0,  
0, 0, 0, 0, 10, 0, 10, 165, 89, 85, 90, 90, 90, 85, 87, 21, 85, 85, 85, 85,  
85, 85, 17, 59, 102, 99, 187, 102, 102, 255, 255, 255, 255, 255, 255, 255, 255, 246,

187, 187,

123, 183, 187, 123, 187, 187, 187, 187, 183, 187, 187, 187, 187, 187, 187, 187, 187,

187, 187, 187,

182, 187, 187, 177, 170, 170, 170, 0, 160, 0, 0, 0, 0, 0, 0, 0, 0, 0, 0,  
0,  
0,  
0,  
0,  
0,  
0,  
0,  
0,  
0,  
0,  
0,  
0,  
0,  
0, 0, 160, 0, 0, 0, 10, 170, 85, 170, 85, 85, 85, 90, 81, 85, 85, 165, 90, 85,  
165, 85, 87, 123, 97, 107, 102, 102, 99, 182, 111, 111, 63, 255, 255, 255, 255, 255,

187, 123,

183, 187, 123, 187, 123, 187, 123, 187, 187, 187, 183, 187, 187, 187, 187, 187, 187,

187, 187, 187,

187, 187, 187, 101, 170, 170, 170, 0, 160, 0, 0, 160, 0, 0, 0, 0, 0, 0, 0, 0,  
0,  
0,  
0, 0, 0, 0, 0, 0, 0, 0, 0, 0, 0, 0, 0, 0, 0, 0, 0, 0, 0, 0,

0,  
0,  
0,  
0,  
0,  
0,  
0,  
0,  
0,  
0, 10, 10, 0, 0, 0, 0, 170, 170, 85, 165, 165, 90, 85, 81, 85, 165, 85, 85, 85,  
85, 85, 87, 177, 187, 182, 182, 102, 102, 255, 255, 63, 255, 255, 255, 255, 255, 255,

251, 187,

187, 187, 187, 123, 187, 123, 187, 183, 187, 183, 187, 187, 187, 187, 187, 187, 187,  
187, 187, 187,

187, 187, 187, 186, 170, 170, 160, 0, 160, 0, 0, 160, 0, 0, 0, 0, 0, 0, 0, 0,  
0,  
0,  
0,  
0,  
0,  
0,  
0,  
0,  
0,  
0,  
0,  
0,  
0,  
0, 0, 160, 0, 10, 0, 0, 170, 165, 165, 85, 90, 85, 81, 23, 85, 85, 90, 85, 85,

85, 85, 87, 187, 187, 182, 102, 182, 102, 102, 102, 111, 255, 255, 255, 63, 255, 255,  
255, 187,

183, 187, 123, 187, 183, 187, 183, 187, 183, 187, 187, 187, 183, 187, 187, 187, 187,  
187, 187, 187,

187, 187, 182, 122, 170, 170, 160, 10, 160, 0, 10, 160, 0, 0, 0, 0, 0, 0, 0, 0,

0,  
0,  
0,  
0,  
0,  
0,  
0,  
0,  
0,  
0,  
0,  
0, 10, 10, 0, 0, 0, 10, 10, 165, 90, 90, 85, 85, 17, 17, 21, 90, 85, 85, 165,  
85, 87, 119, 187, 123, 187, 182, 102, 102, 246, 54, 255, 255, 255, 255, 255, 255,

255, 255, 107,

187, 187, 183, 183, 187, 183, 187, 183, 187, 187, 187, 183, 187, 187, 187, 187, 187,

187, 187, 187,

187, 187, 187, 122, 170, 170, 160, 0, 170, 0, 0, 160, 0, 0, 0, 0, 0, 0, 0, 0,

0, 0, 0, 0, 0, 0, 0, 0, 0, 0, 0, 0, 0, 0, 0, 0, 0, 0, 0, 0,

0, 0, 0, 0, 0, 0, 0, 0, 0, 0, 0, 0, 0, 0, 0, 0, 0, 0, 0, 0,

0, 0, 0, 0, 0, 0, 0, 0, 0, 0, 0, 0, 0, 0, 0, 0, 0, 0, 0, 0,

0, 0, 0, 0, 0, 0, 0, 0, 0, 0, 0, 0, 0, 0, 0, 0, 0, 0, 0, 0,

0, 0, 0, 0, 0, 0, 0, 0, 0, 0, 0, 0, 0, 0, 0, 0, 0, 0, 0, 0,

0, 0, 0, 0, 0, 0, 0, 0, 0, 0, 0, 0, 0, 0, 0, 0, 0, 0, 0, 0,

0, 0, 0, 0, 0, 0, 0, 0, 0, 0, 0, 0, 0, 0, 0, 0, 0, 0, 0, 0,

0, 0, 0, 0, 0, 0, 0, 0, 0, 0, 0, 0, 0, 0, 0, 0, 0, 0, 0, 0,

0, 0, 0, 0, 0, 0, 0, 0, 0, 0, 0, 0, 0, 0, 0, 0, 0, 0, 0, 0,

0, 0, 0, 0, 0, 0, 0, 0, 0, 0, 0, 0, 0, 0, 0, 0, 0, 0, 0, 0,

0, 0, 0, 0, 0, 0, 0, 0, 0, 0, 0, 0, 0, 0, 0, 0, 0, 0, 0, 0,

0, 0, 0, 0, 0, 0, 0, 0, 0, 0, 0, 0, 0, 0, 0, 0, 0, 0, 0, 0,

0, 10, 0, 0, 10, 0, 170, 170, 170, 165, 85, 165, 17, 17, 23, 21, 85, 85, 165, 85,

85, 119, 187, 123, 187, 187, 107, 102, 102, 102, 102, 102, 111, 255, 255, 255, 255,

207, 255, 246,









0,  
0,  
0,  
0,  
0,  
0, 0, 0, 10, 170, 170, 165, 17, 70, 22, 17, 21, 90, 170, 160, 170, 160, 10, 0, 160,  
0, 0, 0, 0, 0, 0, 0, 0, 0, 165, 17, 81, 17, 23, 17, 119, 113, 183, 119, 123,  
183, 119, 187, 119, 187, 187, 187, 187, 182, 182, 102, 102, 255, 246, 255, 255, 255,  
255, 255, 255,  
255, 255, 107, 123, 187, 119, 187, 183, 183, 187, 183, 187, 123, 123, 123, 123, 183,  
183, 187, 187,  
123, 187, 26, 170, 170, 160, 0, 0, 0, 0, 0, 0, 0, 0, 0, 0, 0, 0, 0, 0, 0, 0,  
0,  
0,  
0,  
0,  
0,  
0,  
0,  
0,  
0,  
0,  
0,  
0,  
0, 0, 0, 10, 160, 170, 81, 102, 31, 244, 255, 65, 26, 170, 160, 170, 0, 0, 0, 0,  
0, 0, 0, 0, 0, 0, 0, 0, 0, 165, 17, 17, 17, 17, 23, 23, 183, 123, 123, 183,  
123, 187, 123, 119, 187, 187, 187, 187, 187, 187, 102, 102, 102, 102, 111, 255, 111, 255,  
255, 255, 255,  
255, 255, 246, 123, 123, 187, 183, 123, 187, 183, 187, 123, 187, 187, 187, 187, 187,  
187, 187, 123,  
187, 187, 90, 170, 170, 0, 0, 0, 0, 0, 0, 0, 0, 0, 0, 0, 0, 0, 0, 0, 0,  
0,  
0,  
0, 0, 0, 0, 0, 0, 0, 0, 0, 0, 0, 0, 0, 0, 0, 0, 0, 0, 0, 0,

0,  
0,  
0,  
0,  
0,  
0,  
0,  
0,  
0, 0, 0, 10, 10, 85, 102, 22, 97, 102, 70, 111, 241, 90, 170, 160, 160, 0, 0, 160,  
0, 0, 0, 0, 0, 0, 0, 0, 170, 145, 21, 23, 23, 113, 119, 119, 123, 119, 187,  
183, 123, 187, 183, 119, 187, 123, 123, 187, 107, 182, 102, 246, 246, 111, 255, 255,  
243, 255, 255,  
255, 255, 255, 107, 183, 183, 187, 187, 119, 123, 123, 187, 123, 123, 123, 183, 183,  
187, 187, 183,  
187, 119, 170, 170, 170, 0, 0, 0, 0, 0, 0, 0, 0, 0, 0, 0, 0, 0, 0, 0, 0,  
0,  
0,  
0,  
0,  
0,  
0,  
0,  
0,  
0,  
0,  
0, 0, 0, 0, 170, 86, 22, 22, 79, 63, 99, 68, 70, 26, 170, 170, 170, 0, 0, 0,  
0, 0, 0, 0, 0, 0, 0, 0, 10, 81, 17, 17, 81, 119, 183, 183, 119, 183, 119,  
123, 183, 123, 187, 183, 187, 187, 183, 187, 102, 102, 102, 102, 111, 246, 255, 255,  
255, 255, 255,  
255, 255, 246, 107, 187, 123, 123, 123, 187, 187, 187, 123, 183, 187, 183, 187, 187,  
187, 123, 187,  
187, 177, 170, 170, 170, 0, 0, 0, 0, 0, 0, 0, 0, 0, 0, 0, 0, 0, 0, 0,

0,  
0,  
0,  
0,  
0,  
0,  
0,  
0,  
0,  
0,  
0, 0, 0, 10, 165, 177, 103, 102, 102, 100, 255, 246, 111, 17, 170, 170, 170, 0, 10, 0,  
0, 0, 0, 0, 0, 0, 0, 0, 170, 145, 81, 87, 119, 113, 119, 119, 183, 123, 187,  
183, 183, 183, 183, 119, 183, 187, 187, 187, 187, 107, 102, 102, 246, 111, 111, 255,  
255, 255, 252,  
255, 255, 63, 246, 187, 187, 183, 183, 183, 123, 123, 183, 187, 183, 187, 183, 183,  
187, 187, 119,  
183, 117, 170, 170, 160, 0, 0, 0, 0, 0, 0, 0, 0, 0, 0, 0, 0, 0, 0, 0, 0,  
0,  
0,  
0,  
0,  
0,  
0,  
0,  
0,  
0,  
0,  
0, 0, 0, 10, 85, 27, 187, 180, 99, 255, 63, 63, 22, 23, 90, 160, 170, 0, 0, 160,  
0, 0, 0, 0, 0, 0, 0, 10, 160, 10, 161, 21, 113, 119, 119, 119, 119, 123, 119, 119,  
119, 187, 123, 187, 183, 123, 187, 187, 187, 182, 102, 102, 102, 111, 111, 102, 111,  
255, 255, 255,

255, 63, 255, 255, 107, 183, 187, 123, 187, 183, 183, 187, 123, 187, 183, 187, 187,  
187, 183, 187,

187, 122, 170, 170, 160, 0, 0, 0, 0, 0, 0, 0, 0, 0, 0, 0, 0, 0, 0, 0, 0,  
0,  
0,  
0,  
0,  
0,  
0,  
0,  
0,  
0,  
0, 0, 0, 0, 0, 0, 0, 0, 0, 0, 0, 0, 0, 0, 0, 0, 0, 0, 0, 0,

0, 0, 0, 170, 87, 103, 187, 182, 102, 255, 244, 255, 241, 102, 26, 170, 160, 0, 10, 0,  
0, 0, 0, 0, 0, 0, 0, 0, 170, 0, 165, 81, 23, 119, 119, 119, 183, 183, 187, 183,  
183, 119, 183, 183, 187, 119, 187, 123, 187, 187, 187, 102, 182, 102, 246, 241, 246,  
243, 255, 255,

255, 255, 255, 255, 246, 187, 123, 183, 183, 123, 187, 123, 183, 183, 187, 123, 123,  
123, 187, 187,

123, 90, 170, 170, 160, 0, 0, 0, 0, 0, 0, 0, 0, 0, 0, 0, 0, 0, 0, 0, 0,  
0,  
0,  
0,  
0,  
0,  
0,  
0,  
0,  
0,  
0, 0, 0, 0, 0, 0, 0, 0, 0, 0, 0, 0, 0, 0, 0, 0, 0, 0, 0, 0,

0, 0, 0, 170, 91, 183, 187, 182, 99, 111, 63, 241, 102, 177, 85, 170, 160, 0, 160, 0,





0,  
0,  
0,  
0,  
0,  
0,  
0, 0, 0, 170, 123, 187, 187, 187, 187, 187, 187, 107, 107, 187, 187, 117, 160, 160, 160,  
160, 160,  
0, 0, 0, 0, 0, 0, 0, 0, 0, 170, 167, 87, 119, 119, 119, 119, 119, 123, 119,  
183, 187, 123, 187, 187, 123, 123, 123, 123, 187, 187, 187, 182, 102, 102, 102, 107,  
246, 255, 255,  
255, 255, 255, 255, 255, 255, 246, 183, 187, 123, 183, 123, 119, 187, 187, 183, 183,  
183, 187, 123,  
170, 170, 170, 170, 0, 0, 0, 0, 0, 0, 0, 0, 0, 0, 0, 0, 0, 0, 0, 0,  
0,  
0,  
0,  
0,  
0,  
0,  
0,  
0,  
0,  
0,  
0,  
0, 0, 0, 170, 87, 187, 187, 187, 187, 187, 187, 187, 187, 123, 187, 16, 160, 0, 0, 10, 170,  
0, 10, 10, 170, 160, 160, 160, 170, 170, 0, 170, 165, 119, 119, 119, 119, 119, 119,  
119, 183,  
119, 119, 119, 119, 123, 187, 183, 123, 187, 187, 187, 187, 107, 102, 102, 102, 79,  
111, 255, 255,  
255, 255, 255, 207, 255, 255, 255, 107, 183, 187, 123, 183, 187, 183, 119, 187, 123,  
187, 183, 181,  
170, 170, 170, 170, 160, 0, 0, 0, 0, 0, 0, 0, 0, 0, 0, 0, 0, 0, 0, 0, 0,

0,  
0,  
0,  
0,  
0,  
0,  
0,  
0,  
0,  
0,  
0,  
0, 0, 0, 10, 87, 187, 187, 119, 187, 187, 187, 187, 187, 183, 90, 160, 160, 160, 0,

160,

0, 0, 0, 0, 0, 0, 10, 10, 170, 160, 170, 165, 87, 23, 119, 119, 119, 119, 119, 123,  
123, 123, 123, 123, 183, 183, 187, 183, 123, 187, 119, 187, 182, 107, 102, 191, 102,  
255, 255, 255,  
255, 63, 255, 255, 255, 255, 255, 246, 183, 183, 183, 123, 123, 123, 187, 123, 123,  
183, 187, 117,

170, 170, 170, 170, 0, 0, 0, 0, 0, 0, 0, 0, 0, 0, 0, 0, 0, 0, 0, 0,  
0,  
0,  
0,  
0,  
0,  
0,  
0,  
0,  
0,  
0,  
0, 0, 0, 170, 81, 123, 187, 187, 183, 187, 187, 187, 187, 187, 183, 90, 170, 170, 0, 0, 170,  
10, 0, 160, 0, 0, 0, 0, 0, 160, 0, 10, 170, 87, 119, 119, 119, 119, 119, 119, 119,



119, 119, 183, 183, 123, 123, 183, 183, 123, 187, 187, 187, 182, 187, 182, 102, 255,  
102, 102, 255,

255, 255, 252, 255, 255, 255, 255, 255, 107, 123, 187, 123, 183, 183, 183, 183, 183,  
187, 183, 90,

170, 170, 170, 170, 0, 0, 0, 0, 0, 0, 0, 0, 0, 0, 0, 0, 0, 0, 0,

0, 0, 0, 0, 0, 0, 0, 0, 0, 0, 0, 0, 0, 0, 0, 0, 0, 0,

0, 0, 0, 0, 0, 0, 0, 0, 0, 0, 0, 0, 0, 0, 0, 0, 0, 0,

0, 0, 0, 0, 0, 0, 0, 0, 0, 0, 0, 0, 0, 0, 0, 0, 0, 0,

0, 0, 0, 0, 0, 0, 0, 0, 0, 0, 0, 0, 0, 0, 0, 0, 0, 0,

0, 0, 0, 0, 0, 0, 0, 0, 0, 0, 0, 0, 0, 0, 0, 0, 0, 0,

0, 0, 0, 0, 0, 0, 0, 0, 0, 0, 0, 0, 0, 0, 0, 0, 0, 0,

0, 0, 0, 0, 0, 0, 0, 0, 0, 0, 0, 0, 0, 0, 0, 0, 0, 0,

0, 0, 0, 0, 0, 0, 0, 0, 0, 0, 0, 0, 0, 0, 0, 0, 0, 0,

0, 0, 0, 0, 0, 0, 0, 0, 0, 0, 0, 0, 0, 0, 0, 0, 0, 0,

0, 0, 0, 0, 0, 0, 0, 0, 0, 0, 0, 0, 0, 0, 0, 0, 0, 0,

0, 0, 0, 0, 0, 0, 0, 0, 0, 0, 0, 0, 0, 0, 0, 0, 0, 0,

0, 0, 0, 10, 165, 118, 183, 183, 187, 183, 183, 183, 187, 181, 90, 170, 170, 0, 0, 160,

160, 160, 0, 160, 170, 170, 160, 0, 0, 0, 0, 170, 81, 119, 119, 87, 119, 119, 119, 183,

123, 123, 119, 123, 183, 183, 187, 183, 183, 187, 123, 187, 187, 187, 102, 111, 102,

255, 246, 31,

255, 255, 255, 255, 255, 255, 255, 255, 251, 183, 123, 183, 187, 187, 123, 119, 187,

123, 119, 170,

170, 170, 0, 160, 0, 0, 0, 0, 0, 0, 0, 0, 0, 0, 0, 0, 0, 0,

0, 0, 0, 0, 0, 0, 0, 0, 0, 0, 0, 0, 0, 0, 0, 0, 0, 0,

0, 0, 0, 0, 0, 0, 0, 0, 0, 0, 0, 0, 0, 0, 0, 0, 0, 0,

0, 0, 0, 0, 0, 0, 0, 0, 0, 0, 0, 0, 0, 0, 0, 0, 0, 0,

0, 0, 0, 0, 0, 0, 0, 0, 0, 0, 0, 0, 0, 0, 0, 0, 0, 0,

0, 0, 0, 0, 0, 0, 0, 0, 0, 0, 0, 0, 0, 0, 0, 0, 0, 0,

0, 0, 0, 0, 0, 0, 0, 0, 0, 0, 0, 0, 0, 0, 0, 0, 0, 0,

0, 0, 0, 0, 0, 0, 0, 0, 0, 0, 0, 0, 0, 0, 0, 0, 0, 0,

0, 0, 0, 0, 0, 0, 0, 0, 0, 0, 0, 0, 0, 0, 0, 0, 0, 0,

0, 0, 0, 0, 0, 0, 0, 0, 0, 0, 0, 0, 0, 0, 0, 0, 0, 0,

0, 0, 0, 0, 0, 0, 0, 0, 0, 0, 0, 0, 0, 0, 0, 0, 0, 0,



0, 0, 0, 0, 0, 0, 0, 0, 0, 0, 0, 0, 0, 0, 0, 0, 0, 0, 0,  
0, 0, 0, 0, 0, 0, 0, 0, 0, 0, 0, 0, 0, 0, 0, 0, 0, 0, 0,  
0, 0, 0, 0, 0, 0, 0, 0, 0, 0, 0, 0, 0, 0, 0, 0, 0, 0, 0,  
0, 0, 0, 0, 0, 0, 0, 0, 0, 0, 0, 0, 0, 0, 0, 0, 0, 0, 0,  
0, 0, 0, 0, 170, 170, 87, 119, 187, 187, 123, 187, 187, 187, 187, 119, 90, 170, 170,

10,

170, 170, 160, 0, 0, 0, 0, 0, 0, 170, 170, 170, 85, 87, 119, 119, 119, 119, 119, 119,  
119, 119, 119, 183, 123, 119, 123, 183, 183, 183, 119, 187, 187, 187, 182, 102, 102,

111, 102, 111,

255, 255, 255, 255, 255, 255, 252, 255, 255, 246, 183, 187, 119, 119, 183, 119, 119,

183, 90, 170,

170, 170, 160, 160, 0, 0, 0, 0, 0, 0, 0, 0, 0, 0, 0, 0, 0, 0, 0,

0, 0, 0, 0, 0, 0, 0, 0, 0, 0, 0, 0, 0, 0, 0, 0, 0, 0, 0,

0, 0, 0, 0, 0, 0, 0, 0, 0, 0, 0, 0, 0, 0, 0, 0, 0, 0, 0,

0, 0, 0, 0, 0, 0, 0, 0, 0, 0, 0, 0, 0, 0, 0, 0, 0, 0, 0,

0, 0, 0, 0, 0, 0, 0, 0, 0, 0, 0, 0, 0, 0, 0, 0, 0, 0, 0,

0, 0, 0, 0, 0, 0, 0, 0, 0, 0, 0, 0, 0, 0, 0, 0, 0, 0, 0,

0, 0, 0, 0, 0, 0, 0, 0, 0, 0, 0, 0, 0, 0, 0, 0, 0, 0, 0,

0, 0, 0, 0, 0, 0, 0, 0, 0, 0, 0, 0, 0, 0, 0, 0, 0, 0, 0,

0, 0, 0, 0, 0, 0, 0, 0, 0, 0, 0, 0, 0, 0, 0, 0, 0, 0, 0,

0, 0, 0, 0, 0, 0, 0, 0, 0, 0, 0, 0, 0, 0, 0, 0, 0, 0, 0,

0, 0, 0, 0, 0, 0, 0, 0, 0, 0, 0, 0, 0, 0, 0, 0, 0, 0, 0,

0, 0, 0, 0, 0, 0, 0, 0, 0, 0, 0, 0, 0, 0, 0, 0, 0, 0, 0,

0, 0, 0, 0, 10, 170, 165, 85, 119, 119, 119, 123, 187, 187, 187, 187, 23, 90, 170, 170,

170, 170, 160, 10, 170, 170, 170, 0, 0, 0, 0, 170, 165, 113, 119, 119, 119, 119, 119,

119,

123, 123, 123, 123, 183, 119, 119, 187, 187, 119, 187, 123, 187, 182, 182, 182, 102,

102, 111, 255,

246, 255, 243, 255, 255, 255, 255, 255, 255, 255, 103, 123, 187, 187, 123, 183, 187,

117, 170, 160,

10, 10, 10, 0, 0, 0, 0, 0, 0, 0, 0, 0, 0, 0, 0, 0, 0, 0, 0,

0, 0, 0, 0, 0, 0, 0, 0, 0, 0, 0, 0, 0, 0, 0, 0, 0, 0, 0,

0, 0, 0, 0, 0, 0, 0, 0, 0, 0, 0, 0, 0, 0, 0, 0, 0, 0, 0,

0,  
0,  
0,  
0,  
0,  
0,  
0,  
0,  
0,  
0, 0, 0, 10, 160, 170, 170, 165, 165, 85, 85, 123, 187, 187, 187, 187, 187, 117, 90,

170,

170, 170, 0, 170, 170, 170, 170, 170, 10, 170, 170, 165, 85, 87, 119, 119, 119, 119,

119, 119,

119, 119, 119, 119, 119, 183, 123, 119, 187, 119, 123, 187, 187, 187, 182, 102, 102,

102, 246, 102,

255, 255, 255, 255, 255, 255, 255, 255, 255, 255, 246, 119, 119, 123, 183, 123, 119,

122, 170, 0,

0, 10, 160, 0, 0, 0, 0, 0, 0, 0, 0, 0, 0, 0, 0, 0, 0, 0, 0, 0,

0, 0, 0, 0, 0, 0, 0, 0, 0, 0, 0, 0, 0, 0, 0, 0, 0, 0, 0, 0,

0, 0, 0, 0, 0, 0, 0, 0, 0, 0, 0, 0, 0, 0, 0, 0, 0, 0, 0, 0,

0, 0, 0, 0, 0, 0, 0, 0, 0, 0, 0, 0, 0, 0, 0, 0, 0, 0, 0, 0,

0, 0, 0, 0, 0, 0, 0, 0, 0, 0, 0, 0, 0, 0, 0, 0, 0, 0, 0, 0,

0, 0, 0, 0, 0, 0, 0, 0, 0, 0, 0, 0, 0, 0, 0, 0, 0, 0, 0, 0,

0, 0, 0, 0, 0, 0, 0, 0, 0, 0, 0, 0, 0, 0, 0, 0, 0, 0, 0, 0,

0, 0, 0, 0, 0, 0, 0, 0, 0, 0, 0, 0, 0, 0, 0, 0, 0, 0, 0, 0,

0, 0, 0, 0, 0, 0, 0, 0, 0, 0, 0, 0, 0, 0, 0, 0, 0, 0, 0, 0,

0, 0, 0, 0, 0, 0, 0, 0, 0, 0, 0, 0, 0, 0, 0, 0, 0, 0, 0, 0,

0, 0, 0, 0, 0, 0, 0, 0, 0, 0, 0, 0, 0, 0, 0, 0, 0, 0, 0, 0,

0, 0, 0, 0, 0, 0, 0, 0, 0, 0, 0, 0, 0, 0, 0, 0, 0, 0, 0, 0,

0, 0, 0, 0, 10, 170, 170, 170, 170, 170, 170, 87, 187, 187, 187, 187, 187, 187, 117,

90,

170, 170, 170, 160, 10, 170, 170, 160, 170, 170, 85, 85, 85, 87, 119, 87, 117, 119,

119, 119,

119, 119, 119, 123, 119, 119, 183, 187, 123, 187, 119, 187, 187, 187, 187, 182, 182,  
102, 102, 255,

111, 111, 255, 255, 255, 255, 255, 252, 255, 255, 246, 187, 187, 183, 123, 119, 183,  
90, 170, 160,

0, 10, 160, 0, 0, 0, 0, 0, 0, 0, 0, 0, 0, 0, 0, 0, 0, 0, 0, 0, 0,

0, 0, 0, 0, 0, 0, 0, 0, 0, 0, 0, 0, 0, 0, 0, 0, 0, 0, 0, 0,

0, 0, 0, 0, 0, 0, 0, 0, 0, 0, 0, 0, 0, 0, 0, 0, 0, 0, 0, 0,

0, 0, 0, 0, 0, 0, 0, 0, 0, 0, 0, 0, 0, 0, 0, 0, 0, 0, 0, 0,

0, 0, 0, 0, 0, 0, 0, 0, 0, 0, 0, 0, 0, 0, 0, 0, 0, 0, 0, 0,

0, 0, 0, 0, 0, 0, 0, 0, 0, 0, 0, 0, 0, 0, 0, 0, 0, 0, 0, 0,

0, 0, 0, 0, 0, 0, 0, 0, 0, 0, 0, 0, 0, 0, 0, 0, 0, 0, 0, 0,

0, 0, 0, 0, 0, 0, 0, 0, 0, 0, 0, 0, 0, 0, 0, 0, 0, 0, 0, 0,

0, 0, 0, 0, 0, 0, 0, 0, 0, 0, 0, 0, 0, 0, 0, 0, 0, 0, 0, 0,

0, 0, 0, 0, 0, 0, 0, 0, 0, 0, 0, 0, 0, 0, 0, 0, 0, 0, 0, 0,

0, 0, 0, 0, 0, 0, 0, 0, 0, 0, 0, 0, 0, 0, 0, 0, 0, 0, 0, 0,

0, 0, 0, 0, 0, 0, 0, 0, 0, 0, 0, 0, 0, 0, 0, 0, 0, 0, 0, 0,

0, 0, 0, 10, 170, 170, 170, 170, 170, 170, 170, 81, 187, 187, 187, 187, 187, 182, 187,

23,

85, 90, 170, 170, 160, 160, 170, 10, 165, 85, 90, 85, 85, 85, 119, 119, 119, 119, 119,

119,

119, 123, 123, 119, 183, 183, 123, 183, 183, 183, 183, 187, 187, 187, 123, 182, 102,

102, 102, 102,

255, 255, 255, 255, 255, 207, 255, 255, 255, 255, 255, 251, 119, 183, 187, 123, 117,

170, 170, 0,

0, 170, 160, 0, 0, 0, 0, 0, 0, 0, 0, 0, 0, 0, 0, 0, 0, 0, 0, 0,

0, 0, 0, 0, 0, 0, 0, 0, 0, 0, 0, 0, 0, 0, 0, 0, 0, 0, 0, 0,

0, 0, 0, 0, 0, 0, 0, 0, 0, 0, 0, 0, 0, 0, 0, 0, 0, 0, 0, 0,

0, 0, 0, 0, 0, 0, 0, 0, 0, 0, 0, 0, 0, 0, 0, 0, 0, 0, 0, 0,

0, 0, 0, 0, 0, 0, 0, 0, 0, 0, 0, 0, 0, 0, 0, 0, 0, 0, 0, 0,

0, 0, 0, 0, 0, 0, 0, 0, 0, 0, 0, 0, 0, 0, 0, 0, 0, 0, 0, 0,

0, 0, 0, 0, 0, 0, 0, 0, 0, 0, 0, 0, 0, 0, 0, 0, 0, 0, 0, 0,

0, 0, 0, 0, 0, 0, 0, 0, 0, 0, 0, 0, 0, 0, 0, 0, 0, 0, 0, 0,

0, 0, 0, 0, 0, 0, 0, 0, 0, 0, 0, 0, 0, 0, 0, 0, 0, 0, 0, 0,

0,  
0,  
0,  
0, 0, 0, 0, 0, 170, 170, 170, 170, 170, 170, 170, 165, 182, 187, 187, 187, 187, 187, 187, 187,  
182,  
113, 117, 85, 85, 90, 90, 85, 85, 85, 85, 85, 85, 85, 85, 119, 119, 119, 119, 119, 119,  
119, 119, 119, 119, 123, 123, 119, 123, 123, 187, 123, 123, 187, 123, 187, 187, 182,  
102, 102, 246,  
102, 246, 255, 255, 255, 255, 255, 255, 255, 255, 255, 246, 183, 187, 123, 123, 85,  
170, 160, 160,  
0, 170, 160, 160, 0, 0, 0, 0, 0, 0, 0, 0, 0, 0, 0, 0, 0, 0, 0, 0,  
0,  
0,  
0,  
0,  
0,  
0,  
0,  
0,  
0,  
0,  
0,  
0, 0, 0, 0, 0, 10, 170, 170, 160, 0, 0, 165, 118, 187, 187, 187, 187, 187, 187, 187,  
187, 123, 119, 117, 87, 87, 85, 85, 85, 21, 85, 85, 85, 85, 87, 117, 119, 87, 119, 119,  
119, 119, 119, 123, 119, 119, 187, 119, 187, 123, 183, 119, 187, 187, 187, 182, 107,  
107, 102, 111,  
255, 111, 255, 255, 255, 255, 255, 255, 255, 255, 255, 255, 103, 119, 183, 183, 90,  
160, 160, 160,  
0, 170, 0, 0, 0, 0, 0, 0, 0, 0, 0, 0, 0, 0, 0, 0, 0, 0, 0, 0,  
0,  
0,  
0,  
0, 0, 0, 0, 0, 0, 0, 0, 0, 0, 0, 0, 0, 0, 0, 0, 0, 0, 0, 0,

0, 0, 0, 0, 0, 0, 0, 0, 0, 0, 0, 0, 0, 0, 0, 0, 0, 0, 0,  
0, 0, 0, 0, 0, 0, 0, 0, 0, 0, 0, 0, 0, 0, 0, 0, 0, 0, 0,  
0, 0, 0, 0, 0, 0, 0, 0, 0, 0, 0, 0, 0, 0, 0, 0, 0, 0, 0,  
0, 0, 0, 0, 0, 0, 0, 0, 0, 0, 0, 0, 0, 0, 0, 0, 0, 0, 0,  
0, 0, 0, 0, 0, 0, 0, 0, 0, 0, 0, 0, 0, 0, 0, 0, 0, 0, 0,  
0, 0, 0, 0, 0, 0, 0, 0, 0, 0, 0, 0, 0, 0, 0, 0, 0, 0, 0,  
0, 0, 0, 0, 0, 0, 0, 0, 0, 0, 0, 0, 0, 0, 0, 0, 0, 0, 0,  
0, 0, 0, 0, 160, 0, 0, 170, 160, 0, 0, 170, 91, 187, 187, 187, 187, 187, 187, 187,  
183, 183, 119, 119, 119, 117, 119, 119, 117, 87, 85, 85, 90, 85, 119, 119, 119, 119,  
119, 119,  
119, 119, 119, 119, 119, 183, 119, 183, 183, 183, 183, 187, 119, 187, 187, 187, 182,  
102, 102, 102,  
102, 246, 255, 111, 255, 255, 255, 255, 252, 255, 255, 255, 246, 123, 119, 181, 170,  
170, 170, 0,  
10, 160, 0, 0, 0, 0, 0, 0, 0, 0, 0, 0, 0, 0, 0, 0, 0, 0, 0,  
0, 0, 0, 0, 0, 0, 0, 0, 0, 0, 0, 0, 0, 0, 0, 0, 0, 0, 0,  
0, 0, 0, 0, 0, 0, 0, 0, 0, 0, 0, 0, 0, 0, 0, 0, 0, 0, 0,  
0, 0, 0, 0, 0, 0, 0, 0, 0, 0, 0, 0, 0, 0, 0, 0, 0, 0, 0,  
0, 0, 0, 0, 0, 0, 0, 0, 0, 0, 0, 0, 0, 0, 0, 0, 0, 0, 0,  
0, 0, 0, 0, 0, 0, 0, 0, 0, 0, 0, 0, 0, 0, 0, 0, 0, 0, 0,  
0, 0, 0, 0, 0, 0, 0, 0, 0, 0, 0, 0, 0, 0, 0, 0, 0, 0, 0,  
0, 0, 0, 0, 0, 0, 0, 0, 0, 0, 0, 0, 0, 0, 0, 0, 0, 0, 0,  
0, 0, 0, 0, 0, 0, 0, 0, 0, 0, 0, 0, 0, 0, 0, 0, 0, 0, 0,  
0, 0, 0, 0, 0, 0, 0, 0, 0, 0, 0, 0, 0, 0, 0, 0, 0, 0, 0,  
0, 0, 0, 0, 0, 0, 0, 0, 0, 0, 0, 0, 0, 0, 0, 0, 0, 0, 0,  
0, 0, 0, 0, 0, 0, 0, 0, 0, 0, 0, 0, 0, 0, 0, 0, 0, 0, 0,  
0, 0, 0, 10, 160, 10, 160, 10, 160, 10, 10, 170, 87, 107, 187, 187, 187, 187, 187, 187,  
187, 123, 183, 119, 113, 119, 117, 117, 87, 85, 85, 85, 85, 85, 85, 85, 119, 87, 119, 119,  
119,  
119, 119, 119, 123, 119, 123, 123, 123, 123, 123, 187, 119, 187, 187, 187, 187, 187,  
182, 102, 102,  
111, 111, 111, 255, 255, 243, 255, 255, 255, 255, 255, 255, 255, 183, 183, 122, 160,  
170, 170, 10,







0,  
0,  
0,  
0,  
0, 0, 0, 0, 0, 0, 0, 0, 0, 0, 0, 0, 170, 87, 187, 187, 187, 187, 187, 187,  
187, 187, 183, 119, 119, 119, 119, 87, 117, 87, 87, 85, 85, 85, 85, 87, 119, 117, 119,  
119,  
119, 119, 119, 119, 123, 123, 119, 119, 119, 123, 123, 187, 123, 183, 187, 187, 187,  
182, 182, 182,  
102, 246, 255, 246, 255, 255, 255, 255, 255, 255, 255, 255, 255, 49, 170, 0, 0,  
0, 160,  
0, 0, 170, 0, 0, 0, 0, 0, 0, 0, 0, 0, 0, 0, 0, 0, 0, 0, 0, 0,  
0,  
0,  
0,  
0,  
0,  
0,  
0,  
0,  
0,  
0,  
0,  
0, 0, 0, 0, 0, 0, 0, 0, 0, 0, 0, 0, 170, 165, 123, 187, 187, 187, 187, 187,  
187, 183, 123, 119, 119, 119, 117, 119, 87, 117, 85, 85, 85, 85, 85, 85, 119, 119,  
119, 87,  
117, 119, 119, 119, 119, 119, 187, 187, 183, 183, 183, 123, 183, 123, 123, 187, 187,  
187, 182, 102,  
102, 102, 102, 111, 255, 255, 255, 255, 255, 255, 255, 255, 255, 255, 255, 90, 0, 0,  
10, 0,  
0, 0, 0, 160, 0, 0, 0, 0, 0, 0, 0, 0, 0, 0, 0, 0, 0, 0, 0, 0, 0,  
0,  
0, 0, 0, 0, 0, 0, 0, 0, 0, 0, 0, 0, 0, 0, 0, 0, 0, 0, 0, 0,







0,  
0,  
0,  
0,  
0,  
0, 0, 0, 0, 0, 0, 0, 0, 0, 0, 0, 0, 0, 10, 165, 123, 187, 187, 187,  
187, 187, 183, 183, 119, 119, 119, 119, 117, 119, 117, 87, 85, 85, 85, 85, 85, 119,  
119, 119,  
119, 119, 119, 27, 22, 111, 111, 255, 111, 102, 187, 183, 183, 187, 187, 119, 187,  
187, 187, 187,  
107, 182, 102, 102, 102, 246, 255, 255, 255, 255, 255, 255, 255, 255, 255, 252, 255,  
245, 10, 10,  
170,  
0,  
0,  
0,  
0,  
0,  
0,  
0,  
0,  
0,  
0,  
0,  
0, 0, 0, 0, 0, 0, 0, 0, 0, 0, 0, 0, 0, 170, 170, 170, 87, 187, 187, 187,  
187, 187, 187, 123, 123, 119, 119, 117, 119, 117, 87, 85, 85, 85, 85, 85, 85, 117,  
119, 119,  
117, 119, 123, 183, 97, 102, 63, 255, 255, 102, 107, 183, 119, 123, 123, 183, 187,  
187, 187, 187,  
182, 107, 102, 102, 246, 255, 246, 255, 255, 255, 255, 255, 255, 255, 255, 255, 255,  
49, 170, 160,  
0, 0, 10, 160, 0, 0, 0, 0, 0, 0, 0, 0, 0, 0, 0, 0, 0, 0, 0, 0, 0,  
0, 0, 0, 0, 0, 0, 0, 0, 0, 0, 0, 0, 0, 0, 0, 0, 0, 0, 0, 0,

0,  
0,  
0,  
0,  
0,  
0,  
0,  
0,  
0,  
0,  
0, 0, 0, 0, 0, 0, 0, 0, 0, 0, 0, 0, 170, 160, 170, 165, 187, 187, 107,  
187, 187, 187, 183, 183, 119, 119, 119, 117, 119, 117, 117, 85, 85, 85, 85, 85, 119,  
117, 117,  
119, 119, 123, 187, 182, 111, 111, 255, 255, 102, 107, 187, 123, 123, 183, 123, 123,  
123, 187, 187,  
182, 182, 102, 102, 111, 102, 255, 255, 255, 255, 255, 255, 255, 255, 255, 252,  
255, 26, 170,  
160, 10, 0, 0, 0, 0, 0, 0, 0, 0, 0, 0, 0, 0, 0, 0, 0, 0, 0, 0,  
0,  
0,  
0,  
0,  
0,  
0,  
0,  
0,  
0,  
0,  
0,  
0, 0, 0, 0, 0, 0, 0, 0, 0, 0, 0, 0, 170, 0, 10, 165, 87, 107, 187,  
187, 187, 187, 123, 119, 119, 119, 119, 87, 85, 87, 85, 85, 85, 85, 85, 165, 87, 87,  
119,

119, 119, 123, 27, 187, 102, 255, 255, 255, 246, 187, 187, 119, 183, 187, 183, 183,  
187, 187, 187,

187, 182, 102, 102, 102, 246, 246, 255, 255, 255, 255, 255, 255, 255, 255, 255,  
255, 245, 170,

160, 0, 160, 0, 0, 0, 0, 0, 0, 0, 0, 0, 0, 0, 0, 0, 0, 0,

0, 0, 0, 0, 0, 0, 0, 0, 0, 0, 0, 0, 0, 0, 0, 0, 0, 0,

0, 0, 0, 0, 0, 0, 0, 0, 0, 0, 0, 0, 0, 0, 0, 0, 0, 0,

0, 0, 0, 0, 0, 0, 0, 0, 0, 0, 0, 0, 0, 0, 0, 0, 0, 0,

0, 0, 0, 0, 0, 0, 0, 0, 0, 0, 0, 0, 0, 0, 0, 0, 0, 0,

0, 0, 0, 0, 0, 0, 0, 0, 0, 0, 0, 0, 0, 0, 0, 0, 0, 0,

0, 0, 0, 0, 0, 0, 0, 0, 0, 0, 0, 0, 0, 0, 0, 0, 0, 0,

0, 0, 0, 0, 0, 0, 0, 0, 0, 0, 0, 0, 0, 0, 0, 0, 0, 0,

0, 0, 0, 0, 0, 0, 0, 0, 0, 0, 0, 0, 0, 0, 0, 0, 0, 0,

0, 0, 0, 0, 0, 0, 0, 0, 0, 0, 0, 0, 0, 0, 0, 0, 0, 0,

0, 0, 0, 0, 0, 0, 0, 0, 0, 0, 0, 0, 0, 0, 0, 0, 0, 0,

0, 0, 0, 0, 0, 0, 0, 0, 0, 0, 0, 0, 0, 0, 0, 0, 0, 0,

0, 0, 0, 0, 0, 0, 0, 0, 0, 0, 0, 0, 0, 0, 0, 0, 170, 165, 118, 187,

187, 187, 187, 183, 187, 119, 119, 119, 119, 119, 117, 87, 85, 85, 85, 85, 85, 87,

119, 119,

119, 119, 183, 187, 118, 182, 255, 255, 246, 102, 187, 187, 183, 187, 119, 187, 119,

187, 187, 187,

187, 182, 187, 102, 102, 111, 111, 255, 255, 255, 255, 207, 252, 255, 255, 255, 207,

255, 243, 90,

170, 160, 0, 0, 0, 0, 0, 0, 0, 0, 0, 0, 0, 0, 0, 0, 0, 0,

0, 0, 0, 0, 0, 0, 0, 0, 0, 0, 0, 0, 0, 0, 0, 0, 0, 0,

0, 0, 0, 0, 0, 0, 0, 0, 0, 0, 0, 0, 0, 0, 0, 0, 0, 0,

0, 0, 0, 0, 0, 0, 0, 0, 0, 0, 0, 0, 0, 0, 0, 0, 0, 0,

0, 0, 0, 0, 0, 0, 0, 0, 0, 0, 0, 0, 0, 0, 0, 0, 0, 0,

0, 0, 0, 0, 0, 0, 0, 0, 0, 0, 0, 0, 0, 0, 0, 0, 0, 0,

0, 0, 0, 0, 0, 0, 0, 0, 0, 0, 0, 0, 0, 0, 0, 0, 0, 0,

0, 0, 0, 0, 0, 0, 0, 0, 0, 0, 0, 0, 0, 0, 0, 0, 0, 0,

0, 0, 0, 0, 0, 0, 0, 0, 0, 0, 0, 0, 0, 0, 0, 0, 0, 0,

0, 0, 0, 0, 0, 0, 0, 0, 0, 0, 0, 0, 0, 0, 0, 0, 0, 0,





0,  
0,  
0,  
0,  
0,  
0,  
0,  
0, 0, 0, 0, 0, 0, 0, 0, 0, 0, 10, 0, 0, 0, 10, 0, 0, 165, 91,  
187, 107, 187, 187, 123, 119, 183, 119, 119, 87, 117, 87, 85, 85, 85, 85, 85, 85, 119,  
87,  
119, 119, 187, 187, 187, 187, 182, 182, 187, 187, 187, 187, 183, 187, 119, 183, 187,  
119, 187, 123,  
187, 187, 182, 182, 102, 102, 102, 102, 255, 255, 255, 255, 252, 255, 255, 255, 255,  
255, 255, 255,  
26, 170, 10, 160, 0, 0, 0, 0, 10, 10, 0, 0, 0, 0, 0, 0, 0, 0, 0, 0,  
0,  
0,  
0,  
0,  
0,  
0,  
0,  
0,  
0,  
0,  
0,  
0,  
0,  
0, 0, 0, 0, 0, 0, 0, 0, 0, 0, 170, 0, 0, 0, 0, 0, 160, 165,  
123, 187, 187, 183, 183, 183, 119, 119, 87, 119, 87, 117, 117, 117, 85, 85, 85, 85,  
87, 119,  
87, 119, 123, 123, 187, 187, 187, 187, 187, 187, 187, 187, 187, 183, 123, 187, 187, 187,  
123, 123, 187,  
187, 187, 187, 107, 102, 102, 111, 255, 111, 111, 255, 255, 255, 255, 255, 255, 255,  
255, 255, 255,



117, 119, 123, 187, 187, 187, 187, 187, 187, 187, 187, 187, 119, 187, 123, 119, 183,  
187, 123, 123,

187, 187, 187, 187, 182, 102, 111, 111, 102, 246, 255, 255, 255, 255, 207, 255, 255,  
255, 255, 255,

255, 21, 170, 0, 160, 0, 0, 0, 0, 0, 0, 0, 0, 0, 0, 0, 0, 0, 0, 0,

0, 0, 0, 0, 0, 0, 0, 0, 0, 0, 0, 0, 0, 0, 0, 0, 0, 0, 0,

0, 0, 0, 0, 0, 0, 0, 0, 0, 0, 0, 0, 0, 0, 0, 0, 0, 0, 0,

0, 0, 0, 0, 0, 0, 0, 0, 0, 0, 0, 0, 0, 0, 0, 0, 0, 0, 0,

0, 0, 0, 0, 0, 0, 0, 0, 0, 0, 0, 0, 0, 0, 0, 0, 0, 0, 0,

0, 0, 0, 0, 0, 0, 0, 0, 0, 0, 0, 0, 0, 0, 0, 0, 0, 0, 0,

0, 0, 0, 0, 0, 0, 0, 0, 0, 0, 0, 0, 0, 0, 0, 0, 0, 0, 0,

0, 0, 0, 0, 0, 0, 0, 0, 0, 0, 0, 0, 0, 0, 0, 0, 0, 0, 0,

0, 0, 0, 0, 0, 0, 0, 0, 0, 0, 0, 0, 0, 0, 0, 0, 0, 0, 0,

0, 0, 0, 0, 0, 0, 0, 0, 0, 0, 0, 0, 0, 0, 0, 0, 0, 0, 0,

0, 0, 0, 0, 0, 0, 0, 0, 0, 0, 0, 0, 0, 0, 0, 0, 0, 0, 0,

0, 0, 0, 0, 0, 0, 0, 0, 0, 0, 0, 0, 0, 0, 0, 0, 0, 0, 0,

0, 0, 0, 0, 0, 0, 0, 0, 0, 0, 0, 0, 0, 0, 0, 0, 0, 0, 10,

170, 165, 23, 187, 123, 119, 119, 119, 119, 87, 87, 85, 85, 117, 85, 85, 85, 85, 87,

117,

119, 119, 119, 187, 187, 183, 183, 187, 123, 187, 123, 119, 119, 119, 183, 119, 123,  
183, 183, 123,

187, 187, 187, 102, 102, 102, 102, 102, 255, 255, 255, 255, 255, 255, 255, 255, 255,  
255, 255, 207,

252, 241, 170, 160, 170, 0, 0, 0, 0, 0, 0, 0, 0, 0, 0, 0, 0, 0, 0,

0, 0, 0, 0, 0, 0, 0, 0, 0, 0, 0, 0, 0, 0, 0, 0, 0, 0, 0,

0, 0, 0, 0, 0, 0, 0, 0, 0, 0, 0, 0, 0, 0, 0, 0, 0, 0, 0,

0, 0, 0, 0, 0, 0, 0, 0, 0, 0, 0, 0, 0, 0, 0, 0, 0, 0, 0,

0, 0, 0, 0, 0, 0, 0, 0, 0, 0, 0, 0, 0, 0, 0, 0, 0, 0, 0,

0, 0, 0, 0, 0, 0, 0, 0, 0, 0, 0, 0, 0, 0, 0, 0, 0, 0, 0,

0, 0, 0, 0, 0, 0, 0, 0, 0, 0, 0, 0, 0, 0, 0, 0, 0, 0, 0,

0, 0, 0, 0, 0, 0, 0, 0, 0, 0, 0, 0, 0, 0, 0, 0, 0, 0, 0,

0, 0, 0, 0, 0, 0, 0, 0, 0, 0, 0, 0, 0, 0, 0, 0, 0, 0, 0,

0, 0, 0, 0, 0, 0, 0, 0, 0, 0, 0, 0, 0, 0, 0, 0, 0, 0, 0,





0, 0, 0, 0, 0, 0, 0, 0, 0, 0, 0, 0, 0, 0, 0, 0, 0, 0, 0,  
0, 0, 0, 0, 0, 0, 0, 0, 0, 0, 0, 0, 0, 0, 0, 0, 0, 0, 0,  
0, 0, 0, 0, 0, 0, 0, 0, 0, 0, 0, 0, 0, 0, 0, 0, 0, 0, 0,  
0, 0, 0, 0, 0, 0, 0, 0, 0, 0, 0, 0, 0, 0, 0, 0, 0, 0, 0,  
0, 0, 0, 0, 0, 0, 0, 0, 0, 0, 0, 0, 0, 0, 0, 0, 0, 0, 0,  
0, 0, 0, 0, 0, 0, 0, 0, 0, 0, 0, 0, 0, 0, 0, 0, 0, 0, 0,  
0, 0, 0, 0, 0, 0, 0, 0, 0, 0, 0, 0, 0, 0, 0, 0, 0, 0, 0,  
0, 0, 0, 0, 0, 0, 0, 0, 0, 0, 0, 0, 0, 0, 0, 0, 0, 0, 0,  
0, 0, 0, 0, 0, 0, 0, 0, 0, 0, 0, 0, 0, 0, 0, 0, 0, 0, 0,  
0, 0, 0, 0, 0, 0, 0, 0, 0, 0, 0, 0, 0, 0, 0, 0, 0, 0, 170,  
170, 0, 160, 160, 170, 10, 165, 165, 85, 85, 87, 85, 21, 85, 85, 85, 90, 170, 90, 165,  
117, 119, 117, 119, 119, 119, 119, 119, 119, 187, 102, 187, 119, 183, 119, 123, 183,  
187, 119, 183,  
183, 187, 187, 183, 187, 102, 182, 102, 102, 111, 111, 255, 255, 255, 255, 255, 255,  
207, 255, 255,  
255, 255, 255, 241, 10, 160, 0, 0, 160, 0, 0, 0, 0, 0, 0, 0, 0, 0, 0, 0,  
0, 0, 0, 0, 0, 0, 0, 0, 0, 0, 0, 0, 0, 0, 0, 0, 0, 0, 0,  
0, 0, 0, 0, 0, 0, 0, 0, 0, 0, 0, 0, 0, 0, 0, 0, 0, 0, 0,  
0, 0, 0, 0, 0, 0, 0, 0, 0, 0, 0, 0, 0, 0, 0, 0, 0, 0, 0,  
0, 0, 0, 0, 0, 0, 0, 0, 0, 0, 0, 0, 0, 0, 0, 0, 0, 0, 0,  
0, 0, 0, 0, 0, 0, 0, 0, 0, 0, 0, 0, 0, 0, 0, 0, 0, 0, 0,  
0, 0, 0, 0, 0, 0, 0, 0, 0, 0, 0, 0, 0, 0, 0, 0, 0, 0, 0,  
0, 0, 0, 0, 0, 0, 0, 0, 0, 0, 0, 0, 0, 0, 0, 0, 0, 0, 0,  
0, 0, 0, 0, 0, 0, 0, 0, 0, 0, 0, 0, 0, 0, 0, 0, 0, 0, 0,  
0, 0, 0, 0, 0, 0, 0, 0, 0, 0, 0, 0, 0, 0, 0, 0, 0, 0, 0,  
0, 0, 0, 0, 0, 0, 0, 0, 0, 0, 0, 0, 0, 0, 0, 0, 0, 0, 0,  
0, 0, 0, 0, 0, 0, 0, 0, 0, 0, 0, 0, 0, 0, 0, 0, 0, 0, 10,  
170, 0, 0, 10, 10, 10, 160, 170, 170, 90, 90, 85, 165, 89, 90, 170, 165, 170, 170, 165,  
87, 117, 119, 117, 119, 119, 119, 119, 119, 187, 102, 107, 183, 123, 123, 119, 123,  
119, 187, 187,  
119, 123, 183, 187, 187, 187, 107, 102, 102, 102, 246, 255, 111, 255, 255, 255, 255,  
255, 255, 255,







0,  
0,  
0,  
0, 0, 0, 0, 0, 0, 0, 0, 0, 0, 0, 0, 0, 0, 0, 0, 10, 160, 160,  
0, 0, 0, 0, 10, 0, 0, 10, 170, 0, 0, 160, 160, 0, 0, 0, 160, 10, 170, 170,  
165, 87, 119, 117, 117, 119, 119, 119, 119, 87, 123, 102, 102, 187, 119, 183, 187,  
119, 183, 123,  
187, 183, 119, 187, 187, 187, 182, 182, 182, 102, 102, 111, 255, 255, 255, 255, 255,  
255, 255, 207,  
255, 255, 255, 255, 243, 105, 170, 160, 0, 0, 0, 0, 0, 0, 0, 0, 0, 0, 0, 0, 0,  
0,  
0,  
0,  
0,  
0,  
0,  
0,  
0,  
0,  
0,  
0, 0, 0, 0, 0, 0, 0, 0, 0, 0, 0, 0, 0, 0, 0, 0, 0, 0, 10, 0,  
0, 0, 0, 10, 170, 160, 170, 160, 160, 170, 0, 10, 10, 170, 0, 10, 0, 160, 170, 170,  
165, 87, 87, 119, 119, 119, 119, 119, 119, 119, 123, 182, 102, 107, 183, 183, 119,  
119, 119, 119,  
119, 187, 123, 123, 187, 187, 187, 182, 102, 102, 111, 102, 246, 255, 255, 255, 255,  
255, 255, 255,  
255, 255, 255, 255, 255, 63, 170, 160, 0, 0, 0, 160, 0, 0, 0, 0, 0, 0, 0, 0,  
0,  
0,  
0,  
0,  
0, 0, 0, 0, 0, 0, 0, 0, 0, 0, 0, 0, 0, 0, 0, 0, 0, 0, 0, 0,







0, 170, 85, 87, 117, 119, 119, 119, 119, 119, 119, 119, 119, 123, 102, 102, 102, 183, 183,  
123, 183,

119, 183, 123, 183, 123, 123, 187, 187, 187, 102, 182, 102, 102, 246, 255, 111, 255,  
255, 255, 255,

255, 255, 255, 252, 255, 255, 255, 207, 154, 170, 0, 0, 0, 0, 0, 0, 0, 0, 0,

0, 0, 0, 0, 0, 0, 0, 0, 0, 0, 0, 0, 0, 0, 0, 0, 0, 0, 0,

0, 0, 0, 0, 0, 0, 0, 0, 0, 0, 0, 0, 0, 0, 0, 0, 0, 0, 0,

0, 0, 0, 0, 0, 0, 0, 0, 0, 0, 0, 0, 0, 0, 0, 0, 0, 0, 0,

0, 0, 0, 0, 0, 0, 0, 0, 0, 0, 0, 0, 0, 0, 0, 0, 0, 0, 0,

0, 0, 0, 0, 0, 0, 0, 0, 0, 0, 0, 0, 0, 0, 0, 0, 0, 0, 0,

0, 0, 0, 0, 0, 0, 0, 0, 0, 0, 0, 0, 0, 0, 0, 0, 0, 0, 0,

0, 0, 0, 0, 0, 0, 0, 0, 0, 0, 0, 0, 0, 0, 0, 0, 0, 0, 0,

0, 0, 0, 0, 0, 0, 0, 0, 0, 0, 0, 0, 0, 0, 0, 0, 0, 0, 0,

0, 0, 0, 0, 0, 0, 0, 0, 0, 0, 0, 0, 0, 0, 0, 0, 0, 0, 0,

0, 0, 0, 0, 0, 0, 0, 0, 0, 0, 0, 0, 0, 0, 0, 0, 0, 0, 0,

0, 0, 0, 0, 0, 0, 0, 0, 0, 0, 0, 0, 0, 0, 0, 0, 0, 0, 0,

0, 0, 0, 0, 0, 0, 0, 0, 0, 0, 0, 0, 0, 0, 0, 0, 0, 0, 0,

0, 0, 0, 0, 0, 0, 0, 0, 0, 0, 0, 0, 0, 0, 0, 0, 0, 0, 0, 160, 0, 0, 170,

160, 170, 165, 85, 119, 87, 117, 117, 117, 117, 119, 87, 119, 102, 102, 102, 107,

123, 119, 123,

183, 187, 123, 187, 183, 187, 123, 187, 187, 182, 102, 102, 111, 111, 111, 255, 111,  
255, 255, 255,

255, 255, 255, 255, 255, 255, 255, 255, 69, 170, 160, 0, 0, 0, 0, 0, 0, 0, 0,

0, 0, 0, 0, 0, 0, 0, 0, 0, 0, 0, 0, 0, 0, 0, 0, 0, 0, 0,

0, 0, 0, 0, 0, 0, 0, 0, 0, 0, 0, 0, 0, 0, 0, 0, 0, 0, 0,

0, 0, 0, 0, 0, 0, 0, 0, 0, 0, 0, 0, 0, 0, 0, 0, 0, 0, 0,

0, 0, 0, 0, 0, 0, 0, 0, 0, 0, 0, 0, 0, 0, 0, 0, 0, 0, 0,

0, 0, 0, 0, 0, 0, 0, 0, 0, 0, 0, 0, 0, 0, 0, 0, 0, 0, 0,

0, 0, 0, 0, 0, 0, 0, 0, 0, 0, 0, 0, 0, 0, 0, 0, 0, 0, 0,

0, 0, 0, 0, 0, 0, 0, 0, 0, 0, 0, 0, 0, 0, 0, 0, 0, 0, 0,

0, 0, 0, 0, 0, 0, 0, 0, 0, 0, 0, 0, 0, 0, 0, 0, 0, 0, 0,

0, 0, 0, 0, 0, 0, 0, 0, 0, 0, 0, 0, 0, 0, 0, 0, 0, 0, 0,

0, 0, 0, 0, 0, 0, 0, 0, 0, 0, 0, 0, 0, 0, 0, 0, 0, 0, 0,







0,  
0,  
0,  
0,  
0,  
0,  
0,  
0,  
0,  
0, 160, 170, 165, 85, 87, 117, 117, 119, 119, 119, 87, 119, 119, 118, 246, 102, 102,

107, 183,  
119, 183, 183, 187, 123, 123, 119, 187, 187, 187, 187, 187, 182, 102, 102, 255, 111,  
255, 255, 255,

255, 255, 255, 255, 255, 255, 207, 255, 255, 255, 26, 170, 0, 10, 0, 0, 0, 0, 0, 0,  
0,  
0,  
0,  
0,  
0,  
0,  
0,  
0,  
0,  
0,  
0,  
0,  
0, 0, 0, 0, 0, 0, 0, 0, 0, 0, 0, 0, 0, 0, 0, 0, 0, 0, 0, 10,  
160, 10, 10, 165, 85, 85, 87, 119, 117, 117, 119, 119, 119, 117, 123, 111, 102, 102,

102, 187,  
187, 123, 183, 119, 183, 183, 123, 123, 123, 183, 187, 182, 102, 102, 102, 102, 246,  
255, 255, 255,

255, 255, 255, 255, 255, 255, 255, 255, 252, 245, 170, 160, 0, 0, 0, 0, 0, 0, 0,  
0, 0, 0, 0, 0, 0, 0, 0, 0, 0, 0, 0, 0, 0, 0, 0, 0, 0, 0, 0,







0,  
0,  
0,  
0,  
0,  
0,  
0,  
0, 0, 0, 10, 170, 85, 85, 87, 85, 87, 87, 119, 119, 87, 119, 119, 118, 255, 102, 102,  
102, 107, 183, 119, 183, 119, 123, 187, 119, 187, 187, 187, 187, 182, 107, 102, 102,  
111, 246, 255,  
255, 255, 63, 255, 255, 255, 255, 255, 255, 255, 255, 243, 241, 170, 170, 0, 0, 0, 0,  
0,  
0,  
0,  
0,  
0,  
0,  
0,  
0,  
0,  
0,  
0,  
0,  
0, 0, 0, 0, 170, 85, 87, 85, 87, 87, 119, 117, 119, 119, 119, 117, 119, 111, 246, 102,  
102, 107, 187, 183, 119, 123, 183, 187, 119, 123, 123, 187, 187, 107, 102, 102, 102,  
246, 111, 111,  
255, 255, 255, 255, 252, 255, 246, 255, 255, 255, 255, 255, 54, 170, 170, 160, 0, 10,  
160, 0,  
0,  
0,  
0, 0, 0, 0, 0, 0, 0, 0, 0, 0, 0, 0, 0, 0, 0, 0, 0, 0, 0, 0,











0,  
0,  
0,  
0,  
0,  
0,  
0, 0, 0, 0, 160, 160, 170, 165, 21, 85, 117, 87, 85, 85, 119, 119, 119, 119, 119, 22,  
63, 246, 102, 102, 102, 187, 183, 183, 123, 187, 187, 119, 187, 187, 187, 187, 102,  
102, 102, 102,

246, 246, 111, 255, 255, 255, 255, 255, 255, 63, 255, 255, 255, 255, 255, 49, 170,  
170, 0, 170,

0,  
0,  
0,  
0,  
0,  
0,  
0,  
0,  
0,  
0,  
0,  
0,  
0,  
0, 0, 0, 0, 0, 10, 10, 165, 85, 117, 85, 85, 85, 117, 117, 119, 117, 119, 119, 119,  
255, 255, 102, 102, 102, 102, 187, 123, 119, 123, 123, 183, 123, 123, 187, 187, 187,  
182, 102, 102,

111, 99, 255, 243, 255, 255, 255, 243, 255, 255, 255, 255, 255, 255, 255, 255, 26,  
170, 10, 160,

0,  
0,  
0,  
0, 0, 0, 0, 0, 0, 0, 0, 0, 0, 0, 0, 0, 0, 0, 0, 0, 0, 0, 0,

0,  
0,  
0,  
0,  
0,  
0,  
0,  
0,  
0, 0, 0, 0, 0, 0, 0, 0, 0, 0, 0, 0, 0, 0, 0, 0, 0, 0, 0, 0,

0, 0, 0, 0, 0, 10, 10, 165, 85, 87, 87, 87, 85, 85, 87, 87, 119, 119, 119, 113,  
99, 255, 246, 102, 102, 102, 107, 183, 119, 187, 183, 183, 123, 187, 187, 187, 182,  
182, 182, 102,

111, 102, 255, 246, 246, 255, 255, 255, 255, 255, 255, 255, 255, 252, 255, 255, 245,  
170, 160, 160,

0,  
0,  
0,  
0,  
0,  
0,  
0,  
0,  
0,  
0,  
0,  
0,  
0,  
0, 0, 0, 0, 0, 0, 0, 0, 0, 0, 0, 0, 0, 0, 0, 0, 0, 0, 0, 0,

0, 0, 0, 0, 160, 10, 160, 170, 85, 85, 85, 85, 85, 117, 85, 117, 119, 117, 119, 119,  
118, 252, 246, 102, 102, 102, 107, 187, 119, 123, 123, 187, 119, 183, 187, 187, 187,  
182, 102, 102,

102, 255, 102, 246, 63, 255, 63, 255, 252, 246, 255, 255, 255, 255, 255, 243, 241,  
170, 0, 160,

0, 0, 0, 0, 0, 0, 0, 0, 0, 0, 0, 0, 0, 0, 0, 0, 0, 0, 0, 0,





0, 0, 0, 0, 0, 0, 0, 0, 0, 0, 0, 0, 0, 0, 0, 0, 0, 0, 0

};

**int** main()

{**int** i;

**for**(i=0;i<153600;i++)

{

IOWR\_8DIRECT(SRAM\_CON\_BASE,i,background\_map[i]);

}

printf("back\_done\n");

**for**(i=0;i<153600;i++)

{

IOWR\_8DIRECT(SRAM\_CON\_BASE+153600,i,intro[i]);

}

printf("intro\_done\n");

**for**(i=0;i<153600;i++)

{

IOWR\_8DIRECT(SRAM\_CON\_BASE+307200,i,end\_map[i]);

}

printf("end\_done\n");

}